

BlueLink SPS

Modular Surface Power System for Small ROVs



The BlueLink Surface Power System is a drop-in upgrade to a standard Blue Robotics BlueROV2 (or similar ROVs) and replaces the entire battery housing with a shorter and lighter unit that provides from 1200-3600 Watts of continuous power. The latest in high reliability industrial power supply components are used in the subsea flatpack and the 16VDC or 24VDC output is drop-in compatible with the existing battery operated ROVs. The ruggedized SPC (Surface Power Console) with Isolated Power Output combined with a custom shielded tether provides better safety than most units in this class. The SPC case also includes a FathomX interface board preinstalled with Ethernet RJ45 connection on the side panel. Additional Ethernet or RS485/232 converters can also be integrated into the SPC to manage datastreams beyond an ROV.



Model 1

Model 3



VPS2400/3000/3600



VPS1200/1800

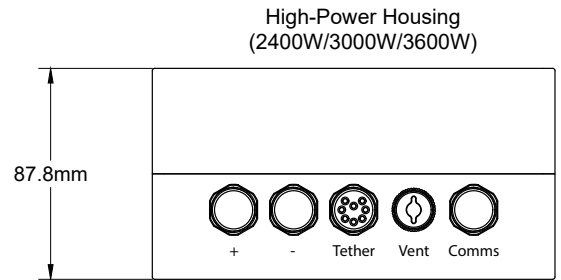
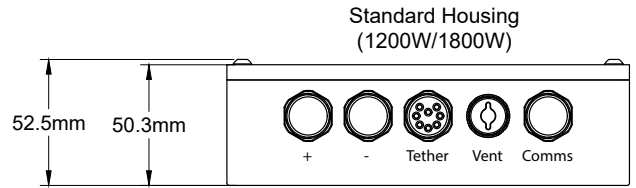
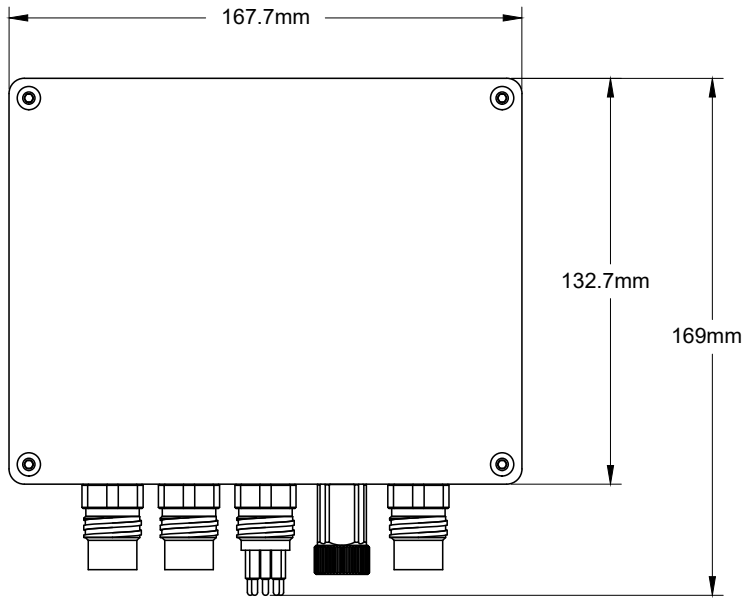
| | |
|------------------------|---|
| Surface Power Console | SPC Models 1, 2 & 3 |
| Input Power | 90-264 VAC, 47-63HzHz |
| Output Voltage | 370VDC (Nominal) |
| Output Current | 5.5A Max. @ 120VAC Input 9.2A Max. @ >180VAC Input |
| Output Power | 2100W @ 120VAC Input 3500W @ >180VAC Input |
| Dimensions | Nanuk 940 Case 21.7" x 16.9" x 8.5" |
| Weight | 38-46lbs (17.2-20.8kg) |
| Safety Features | Isolated Power Output Line Isolation Monitor (ISO-415R) Emergency STOP Button |
| Vehicle Power Supply | VPS**** |
| Output Voltage | 16VDC or 24VDC |
| Output Power | 1200W, 1800W, 2400W, 3000W or 3600W |
| Input Voltage | 200VDC to 378VDC |
| Depth Rating | 300m (984ft) |
| Tether Connector | MCBH8M, Wetmate, Aluminum |
| Safety Features | Over Current Protection Thermal Shutdown Under & Over Voltage Protection Fault Detection |
| SPC Model 3 Only | 22" Sunlight Readable LCD, Intel NUC CPU, Keyboard, Trackball, (4) USB Ports and HDMI Output |
| Tether | |
| Diameter | 0.37in (9.5mm) Nominal |
| Conductors | 2*22AWG 26AWG STP 26AWG TP Overall Shield with Drain 400V Rated |
| Max. Length | 300m (1640ft) |
| Breaking Strength | 550lbs (250kg) |
| Jacket | Smooth Polyurethane |
| Terminations | MCIL8 (M/F), Wetmate |
| High Voltage Slip Ring | SR400 |
| High Voltage Passes | 2*400V @ 10A |
| Communication Passes | 6*75V @ 2A (6 Unused Passes) |
| Standard Connectors | MCBH8 (M/F), Wetmate |
| Compatibility | Blue Robotics Reels |
| Environmental | Exceeds IP68 (Tested to 50m Depth) |

BlueLink SPS

Modular Surface Power System for Small ROVs

VPS

(Vehicle Power Supply)



SR400 Slip Ring

(Fits Blue Robotics Tether Reels)

