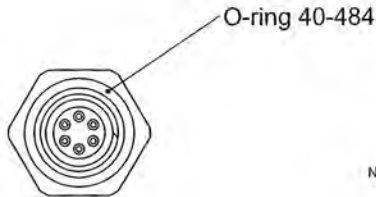


Thread 7/16-20 UNF  
various lengths available.



shell material	various
dielectric material	neoprene
voltage rating	300
insulation resistance	>1 Gigohm
pressure rating	9000 psi
contact material	brass or HCC

Notes

Date February 2017



AK Industries  
3115 E. Las Hermanas St.  
Rancho Dominguez, CA 90221

phone: 310-762-1600  
fax: 310-762-1616  
e-mail: info@ak-ind.com

This drawing is the property of AK Industries. None of the information contained herein may be used nor reproduced without permission.

Drawn by AK

Scale: 1:1 Sheet 1 of 1  
Dwg #

MicroBOS 12mm bulkhead connector, 6-way male

Materials available: 316L SS, 6061 or 6013 Al, 360 brass, Ti6Al4V

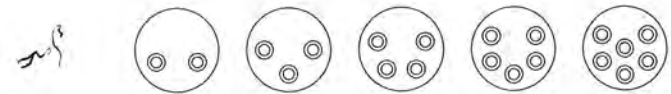
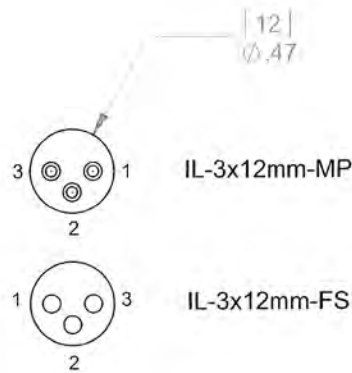
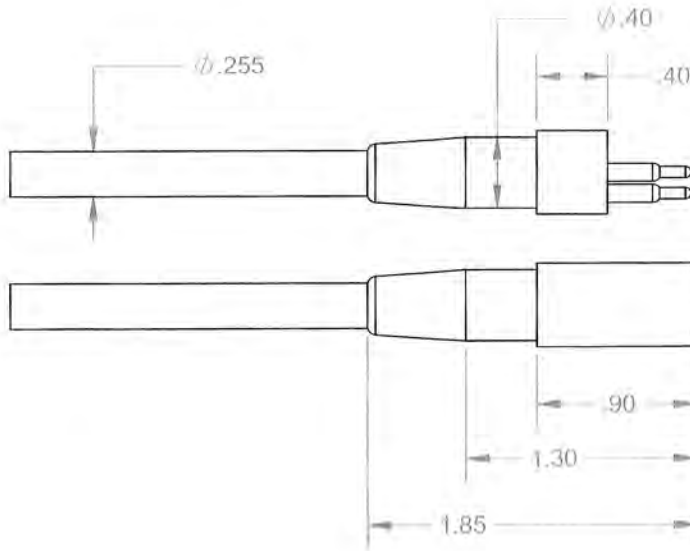
Material various

Part# BCR1x-6x12mm-MP

Carol 130x Series	Color
1	Black
2	White
3	Red*
4	Green
5	Blue
6	Brown

For 3 contacts: black, white, and green.

Belden 8454	Color
1	Black
2	White
3	Brown
4	Red



Voltage Rating	300
Pressure Rating	9,000 PSI
Insulation Resistance	>1 Gigohm
Body material	neoprene
Contact material	gold plated brass

Notes

This drawing is the property of AK Industries. None of the information contained herein may be used nor reproduced without permission.

Date

25 Feb 2013

Drawn by

AK

Scale: 1:1

Sheet 1 of 1

Dwg #

Rev A: 2015-Sep 15: Added Belden color code



AK Industries  
3115 E. Las Hermanas St.  
Rancho Dominguez, CA 90221

phone: 310-762-1600  
fax: 310-762-1616  
e-mail: info@ak-ind.com

12mm Series Inline Set

Material

Part # IL-Xx12mm-XX