



LKB-01Cb Paddle Flow Switch

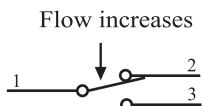
LKB-01Cb Paddle Flow Switch uses the paddle sensor, which can be used in the water cooling system or lubrication oil system for flow control and alarm function in an adjustable setting for customers' special needs.

LKB-01Cb Paddle Flow Switch adopted stainless steel material, prevent the moving parts rusting and guarantee the long life.

The paddle flow switch connection is NPT1" the circular cone pipe thread, the connection height is generally 25mm, as well we may use 50mm to install the connection. Meanwhile the paddle can be adopted depending on low speed flow and the big diameter pipeline.

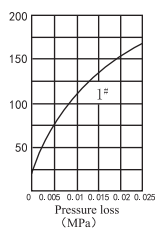
Main technical performance

- Pipeline installation: 1" above
- Pressure resistance: 1.6MPa
- Medium temperature: -10°C ~ 90°C
- Protection: IP54
- Contact capacity: AC 250V 7.5A (Resistance)
- The transformation electronic contact as soon as pays (persevering to open with often shuts)

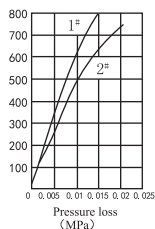


Characteristic curve

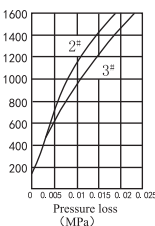
1" Pipeline



2" Pipeline



3" Pipeline



Product Certification



Specification

Table 1 Unit: L/min

The pipeline and the paddle parts		Flow control range	Switch difference
Pipeline diameter	Paddle number		
1"	1#	20 ~ 48	8
1 1/4"	1"	34 ~ 100	10
1 1/2"	1"	65 ~ 160	14
2"	1"	120 ~ 280	26
*2 1/2"	1"	210 ~ 550	18
*3"	1"	380 ~ 750	20
2"	2"	40 ~ 140	18
*2 1/2"	2"	110 ~ 340	15
*3"	2"	180 ~ 470	18
*4"	2"	350 ~ 920	20
*3"	3"	115 ~ 220	20
*4"	3"	210 ~ 590	20
*5"	3"	380 ~ 1200	40
*6"	3"	550 ~ 1800	80

Table 2 Unit: m/s

The connection height	Paddle number	Speed of flow adjustment range	Switch difference
25mm	4#	0.37 ~ 1.22	0.05
25mm	5#	0.26 ~ 0.86	0.04
50mm	4#	0.57 ~ 1.68	0.08
50mm	5#	0.33 ~ 1.08	0.05

Note: 1."*" Data for reference.

2. The flow control range means value adjustment scope, which the flow reduction causes the switch connection's setting adjusting range.
3. In table 2, the pipeline diameter is bigger than 125mm.
4. The height of the connection is the length from the end of the connection to the pipe inner wall.
5. In table 1, the connection height is 25mm. In table 2, it is 25mm and 50mm.

MANUFACTURER:

Shanghai Kelong Instrument Limited
No. 599 Tianyi Road, Baihe Town, Qingpu, Shanghai
201712, China

SUPPLIED BY:

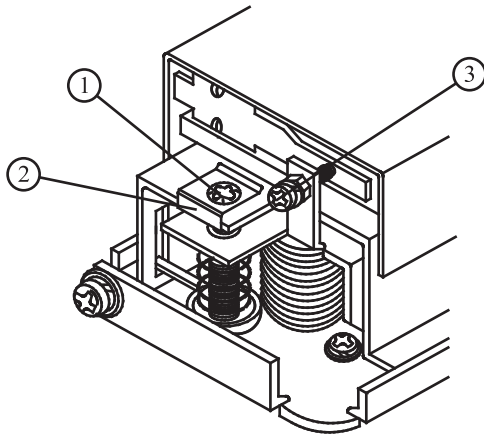
GULF FIRE FIGHTING EQUIPMENTS FZE
PO BOX 262329, JEBEL ALI FREE ZONE,
DUBAI, UAE

AGENT IN KUWAIT:

AL TAFOOQ INTL. CO. W.L.L
PO BOX 1465, SAFAT 13015 KUWAIT
TEL: 24820083 FAX: 24820085



Adjustment method

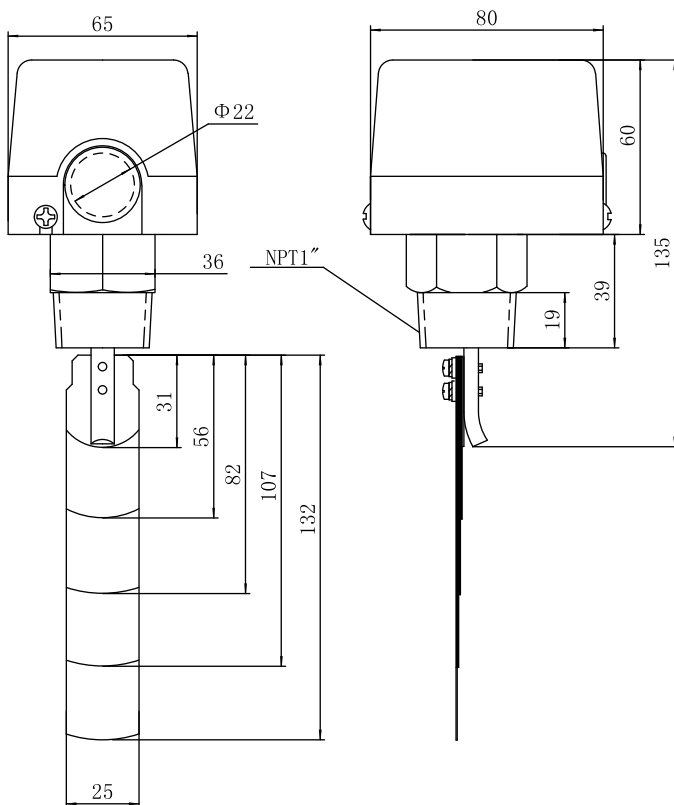


- (1) Screw for flow adjustment,
- (2) Fixing clip
- (3) Screw for center adjustment.

Adjustment method: adjust position (1) clockwise with a screw driver, the flow will increase, and vice versa.

Please note: position (3) has been tuned on delivery. The customer doesn't need to do anything on it.

Shape and Size



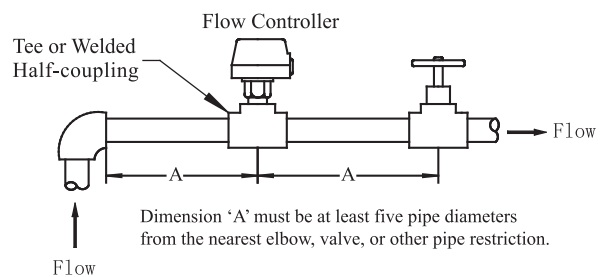
Unit: mm

Installation requirement

On the outer covering, the arrow should direct the same way as the medium flows.

It needs to have 5 ~ 10D (pipe diameter) length of straight guidance pipeline before and after the controller.

The controller should be installed vertically on the horizontal pipeline.



Product Certification



MANUFACTURER:

Shanghai Kelong Instrument Limited
No. 599 Tianyi Road, Baihe Town, Qingpu, Shanghai
201712, China

SUPPLIED BY:

GULF FIRE FIGHTING EQUIPMENTS FZE
PO BOX 262329, JEBEL ALI FREE ZONE,
DUBAI, UAE

AGENT IN KUWAIT:

AL TAFOOQ INTL. CO. W.L.L
PO BOX 1465, SAFAT 13015 KUWAIT
TEL: 24820083 FAX: 24820085