



# GULF FIRE



# SPRINKLERS

SAFETY WHEN YOU NEED THE MOST





# PENDENT SERIES SPRINKLER

## MODEL GU301

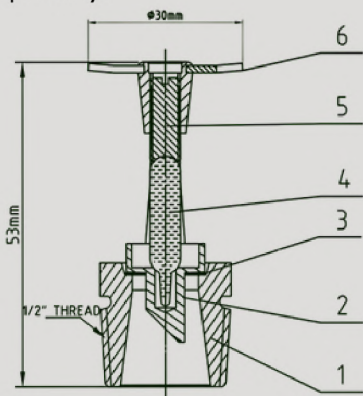


135°F/(57°C)    155°F/(68°C)    175°F/(79°C)    200°F/(93°C)    286°F/(141°C)

<b>STANDARD COVERAGE</b>	<b>STANDARD RESPONSE</b>	<b>5mm GLASS BULB</b>	<b>K5.6</b>	<b>1/2" CONNECTING THREAD</b>
--------------------------	--------------------------	-----------------------	-------------	-------------------------------

A pendent fire sprinkler hangs from above-ceiling pipes and distributes water in a domed or conical pattern using a convex deflector.

Standard-response sprinklers are primarily found in industrial and commercial spaces where keeping a building and its contents intact is a priority.



1.Frame 2.Button 3.Sealing Assembly  
4. Glass Bulb 5. Compression Screw 6. SSP Deflector

BULB NOMINAL DIA. & RESPONSE	5mm STANDARD RESPONSE
Thread Size	NPT 1/2" OR BSPT 1/2"
Nominal Orifice Size	1/2 Inch
Nominal K-Factor	5.6 (U.S.)/ 80 (metric)
Max. Working Pressure	175psig/1.2 MPa (12bar)
Sprinkler Finish	Natural Brass, Chrome Finished or White Painting (RAL9010)
Nominal Temp. Rating	135°F/(57°C) 155°F/(68°C) 175°F/(79°C) 200°F/(93°C) 286°F/(141°C)
Listings and Approvals	UL Listed



# PENDENT SERIES SPRINKLER

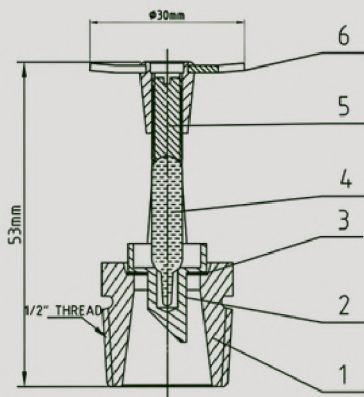
## MODEL GU302



<b>STANDARD COVERAGE</b>	<b>QUICK RESPONSE</b>	<b>3mm GLASS BULB</b>	<b>K5.6</b>	<b>1/2" CONNECTING THREAD</b>
--------------------------	-----------------------	-----------------------	-------------	-------------------------------

A pendent fire sprinkler hangs from above-ceiling pipes and distributes water in a domed or conical pattern using a convex deflector.

Quick-response sprinklers are common in dormitories, hotels, auditoriums, and other places where many people gather.



1. Frame 2. Button 3. Sealing Assembly  
4. Glass Bulb 5. Compression Screw 6. SSP Deflector

BULB NOMINAL DIA. & RESPONSE	3mm QUICK RESPONSE
Thread Size	NPT 1/2" OR BSPT 1/2"
Nominal Orifice Size	1/2 Inch
Nominal K-Factor	5.6 (U.S.)/ 80 (metric)
Max. Working Pressure	175psig/1.2 MPa (12bar)
Sprinkler Finish	Natural Brass, Chrome Finished or White Painting (RAL9010)
Nominal Temp. Rating	135°F/(57°C) 155°F/(68°C) 175°F/(79°C) 200°F/(93°C) 286°F/(141°C)
Listings and Approvals	UL Listed



# UPRIGHT SERIES SPRINKLER

## MODEL GU303



135°F/57°C

155°F/68°C

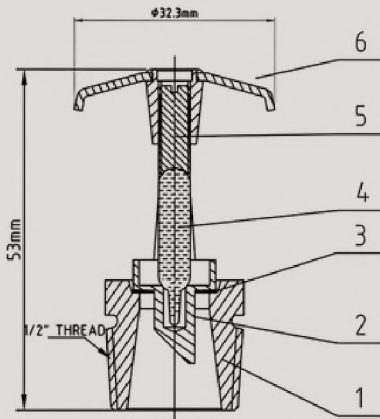
175°F/79°C

200°F/93°C

286°F/141°C

<b>STANDARD COVERAGE</b>	<b>STANDARD RESPONSE</b>	<b>5mm GLASS BULB</b>	<b>K5.6</b>	<b>1/2" CONNECTING THREAD</b>
--------------------------	--------------------------	-----------------------	-------------	-------------------------------

Upright sprinklers spray water upward to a concave deflector, producing a dome-shaped spray pattern. Upright sprinklers are installed where obstructions interfere with coverage in many system types and in dry-pipe systems facing freezing temperatures.



1.Frame 2. Button 3.Sealing Assembly  
4. Glass Bulb 5. Compression Screw 6. SSU Deflector

BULB NOMINAL DIA. & RESPONSE	5mm STANDARD RESPONSE
Thread Size	NPT 1/2" OR BSPT 1/2"
Nominal Orifice Size	1/2 Inch
Nominal K-Factor	5.6 (U.S.)/ 80 (metric)
Max. Working Pressure	175psig/1.2 MPa (12bar)
Sprinkler Finish	Natural Brass, Chrome Finished or White Painting (RAL9010)
Nominal Temp. Rating	135°F/(57°C) 155°F/(68°C) 175°F/(79°C) 200°F/(93°C) 286°F/(141°C)
Listings and Approvals	UL Listed



# UPRIGHT SERIES SPRINKLER

## MODEL GU304



135°F/57°C

155°F/68°C

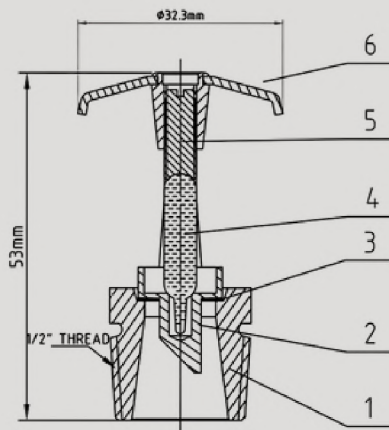
175°F/79°C

200°F/93°C

286°F/141°C

<b>STANDARD COVERAGE</b>	<b>QUICK RESPONSE</b>	<b>3mm GLASS BULB</b>	<b>K5.6</b>	<b>1/2" CONNECTING THREAD</b>
--------------------------	-----------------------	-----------------------	-------------	-------------------------------

UL Listed GULF FIRE Upright Sprinklers are glass-bulb types designed for use in various commercial applications.



1.Frame 2.Button 3.Sealing Assembly  
4. Glass Bulb 5. Compression Screw 6. SSU Deflector

BULB NOMINAL DIA. & RESPONSE	3mm QUICK RESPONSE
Thread Size	NPT 1/2" OR BSPT 1/2"
Nominal Orifice Size	1/2 Inch
Nominal K-Factor	5.6 (U.S.)/ 80 (metric)
Max. Working Pressure	175psig/1.2 MPa (12bar)
Sprinkler Finish	Natural Brass, Chrome Finished or White Painting (RAL9010)
Nominal Temp. Rating	135°F/(57°C) 155°F/(68°C) 175°F/(79°C) 200°F/(93°C) 286°F/(141°C)
Listings and Approvals	UL Listed



# HORIZONTAL SIDEWALL SERIES SPRINKLER

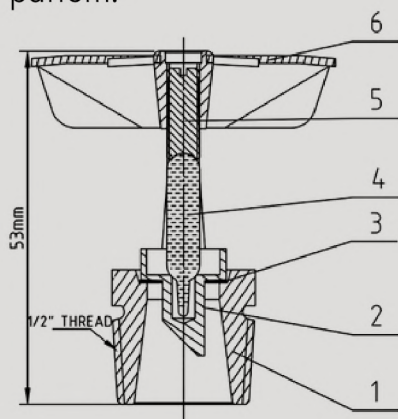
## **MODEL GU305**



135°F/57°C      155°F/68°C      175°F/79°C      200°F/93°C      286°F/141°C

<b>STANDARD COVERAGE</b>	<b>STANDARD RESPONSE</b>	<b>5mm GLASS BULB</b>	<b>K5.6</b>	<b>1/2" CONNECTING THREAD</b>
--------------------------	--------------------------	-----------------------	-------------	-------------------------------

Sidewall fire sprinklers install along walls or beneath beams where ceiling piping is unavailable, or where aesthetic concerns or obstructions weigh against the use of other sprinkler types. They are designed to protect small rooms, closets, or hallways and have a semicircular deflector that produces a crescent-shaped spray pattern.



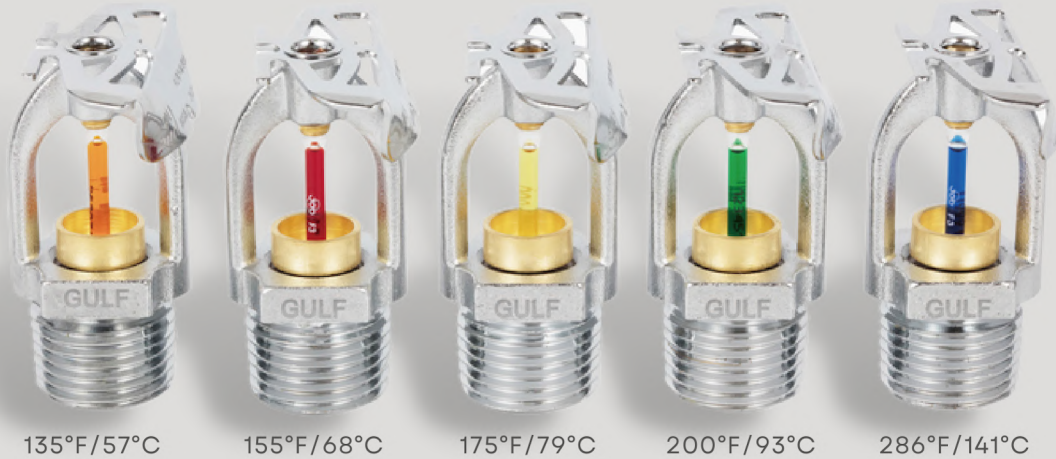
1. Frame 2. Button 3. Sealing Assembly  
4. Glass Bulb 5. Compression Screw 6. HSW Deflector

BULB NOMINAL DIA. & RESPONSE	5mm STANDARD RESPONSE
Thread Size	NPT 1/2" OR BSPT 1/2"
Nominal Orifice Size	1/2 Inch
Nominal K-Factor	5.6 (U.S.)/ 80 (metric)
Max. Working Pressure	175psig/1.2 MPa (12bar)
Sprinkler Finish	Natural Brass, Chrome Finished or White Painting (RAL9010)
Nominal Temp. Rating	135°F/(57°C) 155°F/(68°C) 175°F/(79°C) 200°F/(93°C) 286°F/(141°C)
Listings and Approvals	UL Listed



# HORIZONTAL SIDEWALL SERIES SPRINKLER

## MODEL GU306



135°F/57°C

155°F/68°C

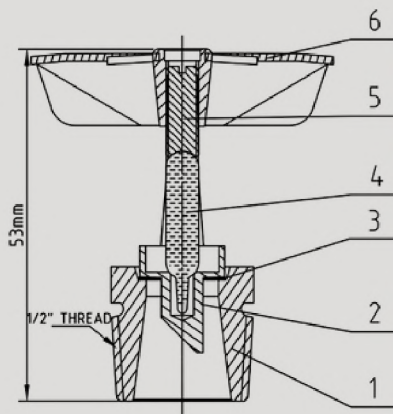
175°F/79°C

200°F/93°C

286°F/141°C

<b>STANDARD COVERAGE</b>	<b>QUICK RESPONSE</b>	<b>3mm GLASS BULB</b>	<b>K5.6</b>	<b>1/2" CONNECTING THREAD</b>
--------------------------	-----------------------	-----------------------	-------------	-------------------------------

UL Listed GULF FIRE Horizontal Sidewall Sprinklers are glass-bulb types designed for use in various commercial applications.

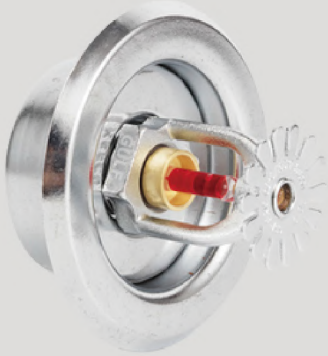


1. Frame 2. Button 3. Sealing Assembly  
4. Glass Bulb 5. Compression Screw 6. HSW Deflector

BULB NOMINAL DIA. & RESPONSE	3mm QUICK RESPONSE
Thread Size	NPT 1/2" OR BSPT 1/2"
Nominal Orifice Size	1/2 Inch
Nominal K-Factor	5.6 (U.S.)/ 80 (metric)
Max. Working Pressure	175psig/1.2 MPa (12bar)
Sprinkler Finish	Natural Brass, Chrome Finished or White Painting (RAL9010)
Nominal Temp. Rating	135°F/(57°C) 155°F/(68°C) 175°F/(79°C) 200°F/(93°C) 286°F/(141°C)
Listings and Approvals	UL Listed



## RECESSED ESCUTCHEON



CODE	SIZE	COLOR	MATERIAL
GU401	1/2"	Chrome	Mild Steel
GU402	3/4"	Chrome	Mild Steel

## RECESSED ESCUTCHEON



CODE	SIZE	COLOR	MATERIAL
GU403	1/2"	White (RAL 9010)	Mild Steel
GU404	3/4"	White (RAL9010)	Mild Steel

## SURFACE- MOUNTED ESCUTCHEON



CODE	SIZE	COLOR	MATERIAL
GU405	1/2"	Chrome	Mild Steel
GU406	3/4"	Chrome	Mild Steel

## SURFACE- MOUNTED ESCUTCHEON



CODE	SIZE	COLOR	MATERIAL
GU407	1/2"	White (RAL9010)	Mild Steel
GU408	3/4"	White (RAL9010)	Mild Steel







## SPRINKLER CABINET



CODE	CABINET SIZE	CAPACITY	MATERIAL
GU501	220x260x90mm	6pcs Sprinklers	Mild Steel
GU502	220x260x90mm	12pcs Sprinklers	Mild Steel
GU503	265x340x90mm	24pcs Sprinklers	Mild Steel
GU504	460x265x85mm	36pcs Sprinklers	Mild Steel

## SPRINKLER GUARD



CODE	SPRINKLER SIZE
GU505	1/2"
GU506	3/4"

## SPRINKLER WRENCH



CODE	SPRINKLER SIZE
GU507	1/2"
GU508	3/4"



**GULF FIRE FIGHTING EQUIPMENTS FZE**  
P.O.Box 262329 Jebel Ali Free Zone, Dubai , United Arab Emirates  
Tel: +971 4880 7127 - Fax: +971 4880 7604  
Email: [info@gulffireco.com](mailto:info@gulffireco.com) [www.gulffireco.com](http://www.gulffireco.com)