

Resettable CP4 Call Point & Weatherproof Call Point



(ZT-CP4, ZT-CP4/WP)



ZT-CP4



ZT-CP4/WP



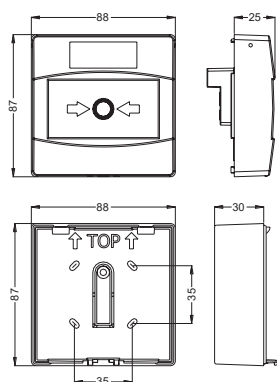
Description

The ZT-CP4 is a resettable manual call point with unique and innovative features. It has been designed to obtain maximum visibility, high reliability in operation and pleasant aesthetical appearance.

When the resettable element is pressed the spring mechanism mimics the feel of a break glass and the resettable element goes back. A completely new action system gives high performance and guarantees the alarm detection in every condition.

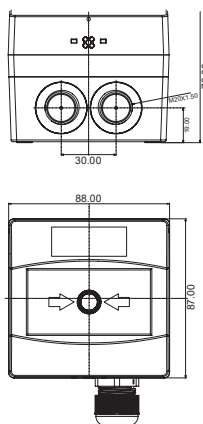
A reflective polyester flag appears in the bottom of the operating face, providing the highest levels of visibility for the user. At the heart of the call point a spring free mechanism is used to operate the flag and the switch via a patented design. This allows long life and trouble free operation.

Dimensions (mm)



SURFACE MOUNT

WEATHER-PROOF



Key Benefits

- EN54-11 approved
- Very high visibility of the alarm condition
- New efficient and reliable mechanism
- High impact resistant ABS glass fiber material
- Fully patented
- Quick and Easy Installation

Technical Specification

Model	ZT-CP4	ZT-CP4/WP
Maximum Voltage	30V	
Minimum Voltage*	4.5V if LED with R1 is chosen 6.0V if LED with R2 is chosen	5.0V if LED with R1 is chosen 6.0V if LED with R2 is chosen
Current Rating (non-operated)	0mA	
Current Rating (operated)	18 mA @ 12V - R1	19 mA @ 12V - R1
	13 mA @ 12V - R2	13 mA @ 12V - R2
	45 mA @ 24V - R1	45 mA @ 24V - R1
	31 mA @ 24V - R2	31 mA @ 24V - R2
Cable Termination	0.5 - 2.5 mm ²	0.5 - 2.5 mm ²
Operating Temperature	-30 / +70 °C	-30 / +70 °C

Resettable CP4 Call Point & Weatherproof Call Point

(ZT-CP4, ZT-CP4/WP)

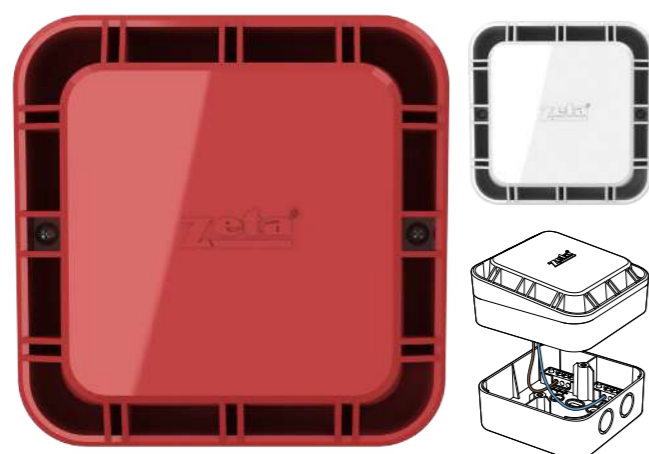


Model	ZT-CP4	ZT-CP4/WP
Humidity	0 - 95%	
IP Rating	IP42	IP67
Material	ABS/Polycarbonate/PA6 + Glass Fiber	ABS/Polycarbonate/PA6 + Glass Fiber
*	Below minimum voltage LED current is lower than 7 mA	Below minimum voltage LED current is lower than 5 mA

Order Codes

Model	Description
SINGLE POLE - SURFACE MOUNT	
ZT-CP4	Zeta CP4 Conventional Surface Mount Manual Call Point, Red
ZT-CP4/G	Zeta CP4 Conventional Surface Mount Manual Call Point, Green
ZT-CP4/Y	Zeta CP4 Conventional Surface Mount Manual Call Point, Yellow
ZT-CP4/W	Zeta CP4 Conventional Surface Mount Manual Call Point, White
ZT-CP4/Y	Zeta CP4 Conventional Surface Mount Manual Call Point, Blue
SINGLE POLE - FLUSH MOUNT	
ZT-CP4/F	Zeta CP4 Conventional Flush Mount Manual Call Point, Red
ZT-CP4/F/G	Zeta CP4 Conventional Flush Mount Manual Call Point, Green
ZT-CP4/F/Y	Zeta CP4 Conventional Flush Mount Manual Call Point, Yellow
ZT-CP4/F/W	Zeta CP4 Conventional Flush Mount Manual Call Point, White
ZT-CP4/F/B	Zeta CP4 Conventional Flush Mount Manual Call Point, Blue
DOUBLE POLE - SURFACE MOUNT	
ZT-CP4/11	Zeta CP4 Conventional Surface Mount Manual Call Point, Double Pole, Red
ZT-CP4/11/G	Zeta CP4 Conventional Surface Mount Manual Call Point, Double Pole, Green
ZT-CP4/11/Y	Zeta CP4 Conventional Surface Mount Manual Call Point, Double Pole, Yellow
ZT-CP4/11/W	Zeta CP4 Conventional Surface Mount Manual Call Point, Double Pole, White
ZT-CP4/11/B	Zeta CP4 Conventional Surface Mount Manual Call Point, Double Pole, Blue
DOUBLE POLE - FLUSH MOUNT	
ZT-CP4/F/11	Zeta CP4 Conventional Flush Mount Manual Call Point, Double Pole, Red
ZT-CP4/F/11/G	Zeta CP4 Conventional Flush Mount Manual Call Point, Double Pole, Green
ZT-CP4/F/11/Y	Zeta CP4 Conventional Flush Mount Manual Call Point, Double Pole, yellow
ZT-CP4/F/11/W	Zeta CP4 Conventional Flush Mount Manual Call Point, Double Pole, White
ZT-CP4/F/11/B	Zeta CP4 Conventional Flush Mount Manual Call Point, Double Pole, Blue
WEATHERPROOF CALL POINT	
ZT-CP4/WP	Zeta CP4 Conventional Weatherproof Manual Call Point, Red
ZT-CP4/WP/G	Zeta CP4 Conventional Weatherproof Manual Call Point, Green
ZT-CP4/WP/Y	Zeta CP4 Conventional Weatherproof Manual Call Point, Yellow
ZT-CP4/WP/W	Zeta CP4 Conventional Weatherproof Manual Call Point, White
ZT-CP4/WP/B	Zeta CP4 Conventional Weatherproof Manual Call Point, Blue

Xtratone Conventional Wall Sounder (ZXT/R & ZXT/W)



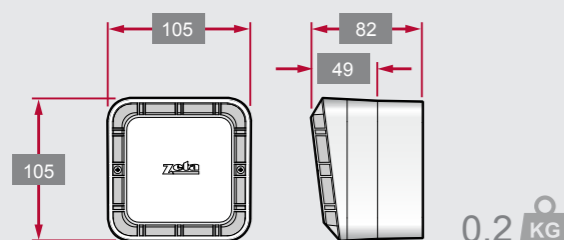
Description

The new Xtratone conventional sounder is designed to meet EN54 part 3 with a selection of 22 tones. It is available in red or white with termination of field wiring made to the backbox for a clean first fix.

Features

- ✓ Complies with EN54 Part 3 Type A
- ✓ 102dB @ 1m sound output
- ✓ 22 Tone patterns (site selectable)
- ✓ Flush or surface fixing
- ✓ Housed in UL V0 flame retardant ABS
- ✓ 4 x 20mm cable entries (2 top, 2 bottom)
- ✓ First fix, wire to back box technology

Dimensions & Weight

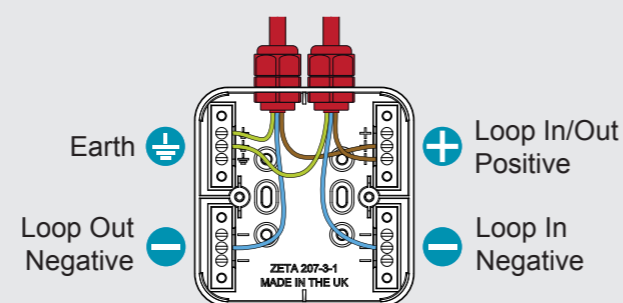


Technical Specification

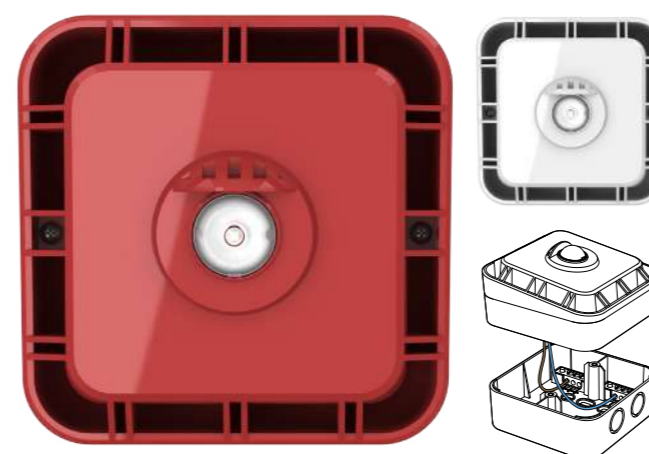
Model	ZXT/R	ZXT/W
Part No.	42-606	42-607
Designed to	EN54 Part 3	EN54 Part 3
Voltage	17 - 30V DC	17 - 30V DC
Current @ 24V DC	10mA	10mA
Body Colour	Red	White
Sounder Type	A	A
IP Rating	IP 21 C	IP 21 C
Operating Temperature	-10°C to 55°C	-10°C to 55°C
Sound Output @ 1m	*102dB	*102dB +/- 2dB
Size mm (with back box)	105 x 105 x 49 (105 x 105 x 82)	
Weight	200g	200g

* This applies to 'TONE 0' 800Hz and 970Hz, 500ms each

First Fix



Xtratone Conventional Combined Wall Sounder Beacon (ZXTB/R & ZXTB/W)



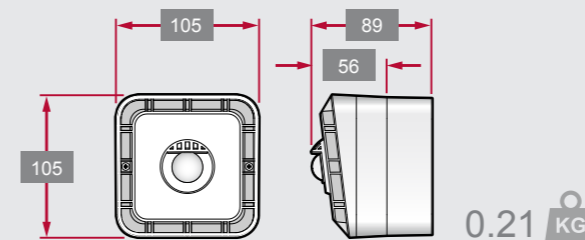
Description

The new Xtratone conventional wall sounder with beacon has been designed to make an "electronics free" first fix and is available in red or white. The beacon has a coverage pattern of W 3.0 - 8.9 and the sounder part has 22 selective tones.

Features

- ✓ Complies with EN54 Pt 3 Type A & EN54 Pt 23
- ✓ 102dB @ 1m sound output
- ✓ 22 Tone patterns (site selectable)
- ✓ Flush or surface fixing
- ✓ Housed in UL V0 flame retardant ABS
- ✓ 4 x 20mm cable entries (2 top, 2 bottom)
- ✓ First fix, wire to back box technology
- ✓ Flashing Rate 0.5Hz

Dimensions & Weight

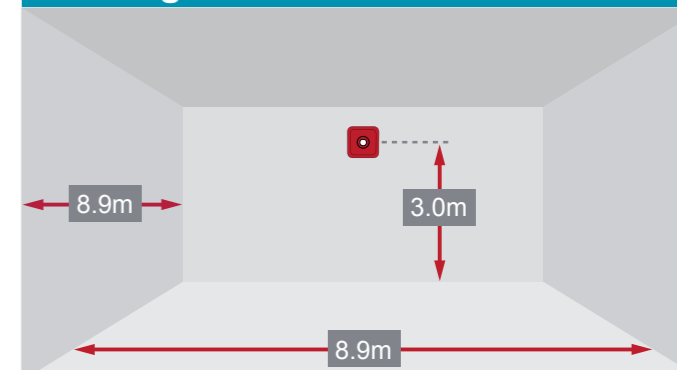


Technical Specification

Model	ZXTB/R	ZXTB/W
Part No.	42-608	42-609
Voltage	17 - 30V DC	17 - 30V DC
Current @ 24V DC	70mA Max	70mA Max
Flash Colour	White	White
Flash Frequency	0.5Hz	0.5Hz
Body Colour	Red	White
Sounder Type	A	A
IP Rating	IP 21 C	IP 21 C
Operating Temperature	-10°C to 55°C	-10°C to 55°C
Sound Output @ 1m	*102dB	*102dB
Size mm (with back box)	105 x 105 x 56 (105 x 105 x 89)	
Weight	210g	210g

* This applies to 'TONE 0' 800Hz and 970Hz, 500ms each

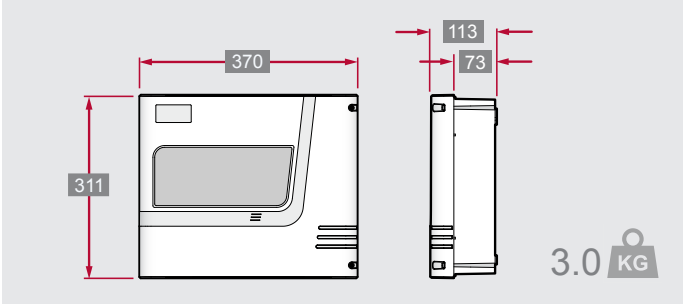
Coverage



Infinity 8 Conventional Fire Alarm Panel (IN1, IN2, IN4, IN6, IN8)



Dimensions (mm) & Weight (kg)



Description

The Infinity 8 control panel is housed in the most attractive, modern designed, flame retardant ABS enclosure, utilising a switch mode power supply. It has a fully removable front cover which improves ease of access for cable installations.

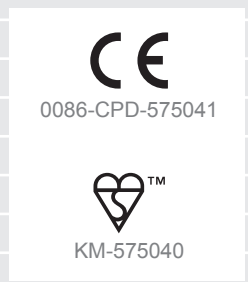
The Infinity 8 panel can also be ordered with a metal back box facilitating upto 7ah batteries to fit within the panel housing. To order this version add "/M" to the end of the model number (i.e. IN1/M, IN2/M, etc.)

Features

- Access via password – removes problem of lost keys
- One man test facility
- Disablement facility for zones & sounders
- Space for up to 3Ah batteries
- Sounder delay option
- 4 sounder circuits (IN4, IN6 & IN8)
- Sounder circuits 3 and/or 4 can be configured as Aux 24V supplies
- Meets all requirements of latest EN54 part 2 and part4

Technical Specification

Model	IN1	IN2	IN4	IN6	IN8
Part No	37-650	37-651	37-652	37-653	37-654
Mains Voltage	230V AC +10% / -15% @ 50/60 Hz				
System Voltage	24V DC (Nominal)				
Zone Voltage	21V DC (Nominal)				
Sounder Alarm Output	2 x 150mA @ 24V DC		4 x 150mA @ 24V DC		
Fault Relay	1 x Volt Free Relay, SELV @ 1A Max				
Fault Relay	1 x Volt Free Relay, SELV @ 1A Max				
Zone Capacity	32 devices per zone				
Remote sounder operation	Via N/O contact connected to Class Change				
Sounder Activation Delay	0 to 10 minutes in 1 minute increments				
Zone End of line	1N4002 Diode (Cathode Stripe to Zone +ve)				
Sounder End of Line	10K resistor				
Charger Voltage	27.6V				
Battery cut off	Battery voltage less than 20V				
Battery Internal Resistance limit	0.9 ohm				
Enclosure size	371 x 302 x 93 (mm)				
Weight	3 kg (Excluding Batteries)				
Maximum battery space	2 x 3.4 Ah, 12 Vdc sealed lead acid				



Remote LED Indicators

(MKII-RL/C & MKII-RL/W)



MKII-ARL/C



MKII-ARL/W

Description

There are two models for the Conventional Remote LED Indicator, a wall type MKII-RL/W and ceiling mounted type (requires a base) MKII-RL/C.

Each unit has 2 LEDs that light up to indicate an alarm. It has the 8 LED appearance to keep it's family identity.

The MKII-RL/W is supplied with a backbox for surface mounting. It is also available without backbox for flush fitting.

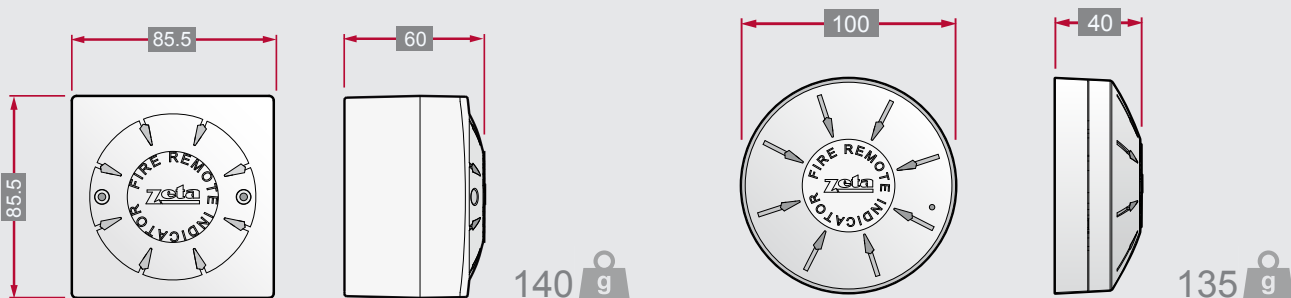
Features

- Each indicator can be programmed for one device or up to 12 devices
- Each indicator will be connected directly on to the detection loop

Technical Specification

Model	MKII-RL/W	MKII-RL/C
Part No.	48-032	48-031
Quiescent Current	450µA	450µA
Alarm current	2.10mA	2.10mA
Dimensions (mm)	(W) 85.5 x (H) 85.5 x (D) 60	(Dia) 100 x (D) 40
IP Rating	IP43	IP43
System Voltage	17 to 28 Vdc	17 to 28Vdc

Dimensions (mm) & Weight (g)



Fyreye MkII Conventional Detectors

(MKII-OP, MKII-OH, MKII-HF, MKII-HF/CS90, MKII-HR)



Description

The Fyreye MkII optical smoke detectors use a pulsing IR LED & photodiode to detect IR scatter caused by smoke entering the chamber.

The detector is particularly suitable for detecting optically dense smoke, involving materials such as soft furnishings, PVC, plastic, foam and all similar materials which produce small visible particles (0.5 to 10µm).

The Fyreye Rate of Rise heat detectors (MKII-HR) use a thermistor arrangement to sense a quick rise in temperature and also a final threshold temperature of 57°C. The Fyreye fixed heat detector (MKII-HF) has a single thermistor arrangement that gives an alarm at a temperature of 57°C.

There are 4 types of mounting base available; standard or deep and with or without diode.



MKII-OP



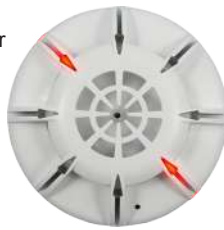
MKII-OH



See table below for CPD numbers



MKII-HF



MKII-HR

Features

- Designed to meet EN54 requirement
- Lockable to base to stop unauthorised removal
- Remote LED output
- Compatible with all Fyreye bases

Bases

Model	MKII-CB	MKII-CB/D	MKII-DB	MKII-DB/D
Part No.	80-220	80-221	80-222	80-223
Type	Common Base	Common Base	Diode Base	Diode Base
Size	100 x 16mm	100 x 32mm	100 x 16mm	100 x 32mm
Weight	53g	64g	53.2g	64.2g

Technical Specification

Model	MKII-OP	MKII-OH	MKII-HF	MKII-HF/CS90	MKII-HR
Part No.	80-200	80-206	80-204	80-208	80-202
Detector Class	Optical Smoke	Combined Smoke & Heat	Fixed Heat Only	Fixed Heat Only	Rate of Rise & Fixed Heat Detector
Design Standard	EN54 part 7	EN54 parts 5 & 7	EN54 part 5	EN54 part 5	EN54 part 5
Approval	DIFT				
CPD Number	0845-CPD-232.1700	0845-CPD-232.1703	0845-CPD-232.1701		0845-CPD-232.1702
Operating Voltage	9-33V DC				
Quiescent Current	40µA				
Alarm Current @ 24V DC	34mA				
Operating Temperature	-10°C to +50°C	-10°C to +50°C	-10°C to +50°C	-10°C to +80°C	-10°C to +50°C
Min. Continuous Temp.	0°C				
Maximum Humidity	95% RH non-condensing				
Alarm Condition	2.4% obscuration per metre		Fixed heat trigger @57°C	Fixed heat trigger @90°C	Rate of rise or fixed heat trigger @ 57°C
Coverage	100m ²		50m ²		
IP Rating	IP43				
Start-up Time	10 Seconds				
Size (with Base)	100 x 48 mm	101 x 64 mm	100 x 48 mm		100 x 48 mm
Weight (with Base)	75g (133g)				

Raptor Conventional Weatherproof Sounder (ZRP/R & ZRP/W)



Description

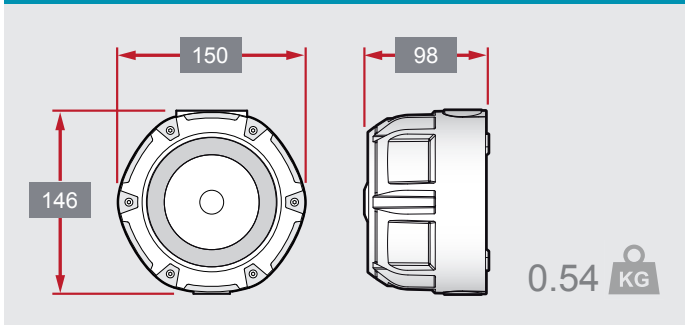
The Raptor conventional sounder is a large weatherproof horn sounder suitable for many indoor & outdoor applications.

It is available in red or white and has a selection of 22 tones. Termination of field wiring is made to the backbox for a clean first fix.

Features

- Complies with EN54 Part 3 Type B
- 107dB +/- 3dB @ 1m sound output
- 22 Tone patterns (site selectable)
- Suitable for surface mounting only
- Housed in UL V0 flame retardant ABS
- 3 x 20mm cable entries (2 top, 1 bottom)
- First fix, wire to back box technology
- IP65 Rating (certified to IP33C)

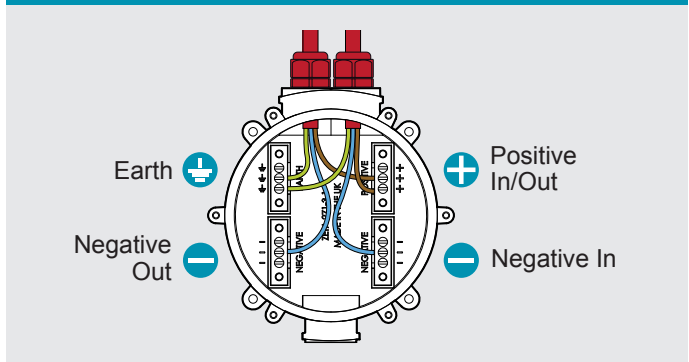
Dimensions & Weight



Technical Specification

Model	ZRP/R	ZRP/W
Part No.	42-630	42-631
Voltage	17 - 30V DC	
Current @ 30V DC	10mA	
Body Colour	Red	White
Sounder Type	B	
IP Rating	IP65 (certified to IP33C)	
Operating Temperature	-10°C to 55°C	
Sound Output @ 1m	*107dB +/- 3dB	
Size mm	150 x 146 x 98	
Weight	540g	

First Fix



* This applies to 'TONE 0' 800Hz and 970Hz, 500ms each

Raptor Conventional Weatherproof Sounder Beacon (ZRPB/R & ZRPB/W)



Description

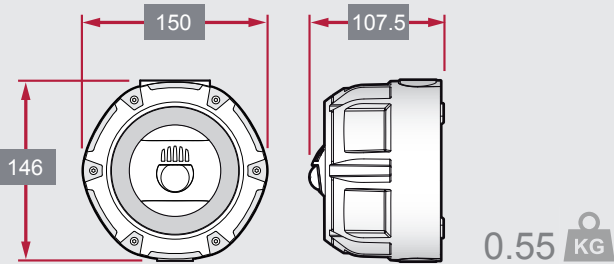
The Raptor conventional sounder with beacon has a coverage pattern of W 5.1 - 7.25 and the sounder part has 22 selective tones.

It has been designed to make an “electronics free” first fix and is available in red or white.

Features

- Complies with EN54 Pt 3 Type B & EN54 Pt 23
- 107dB +/- 3dB @ 1m sound output
- 22 Tone patterns (site selectable)
- Suitable for surface mounting only
- Housed in UL V0 flame retardant ABS
- 3 x 20mm cable entries (2 top, 1 bottom)
- First fix, wire to back box technology
- Flashing rate 0.5Hz

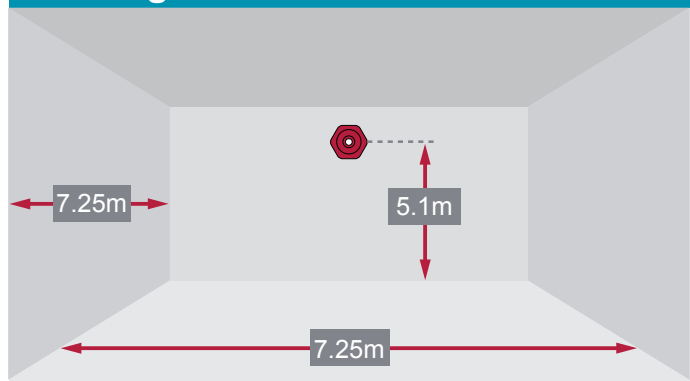
Dimensions & Weight



Technical Specification

Model	ZRPB/R	ZRPB/W
Part No.	42-632	42-633
Voltage	17 - 30V DC	
Current @ 30V DC	70mA Max	
Flash Colour	White	White
Flash Frequency	0.5Hz	
Body Colour	Red	White
Sounder Type	B	
IP Rating	IP65 (certified to IP33C)	
Operating Temperature	-10°C to 55°C	
Sound Output @ 1m	*107dB +/- 3dB	
Size mm (with back box)	150 x 146 x 107.5	
Weight	550g	

Coverage



* This applies to 'TONE 0' 800Hz and 970Hz, 500ms each

24V 6" Fire Alarm Bell

(ZT-BELL/6, ZT-BELL/6/D & ZT-BELL/6/WP)



Description

Zeta introduces a new 6 " bell with a modern construction including an aluminium gong with high db output and a moderate current consumption.

The new ZT-BELL/6 is available in both indoor and outdoor versions with very stylish termination box to allow access to back box without using special tools.

This new range with its output replaces the need for 8" bell.

Features

- Permanently fitted gong
- Specifically designed weatherproof back box
- Mounting options for European, Asian and US style installations
- Slick and modern looking
- Aluminium Gong
- Low current consumption
- Made in the United Kingdom

