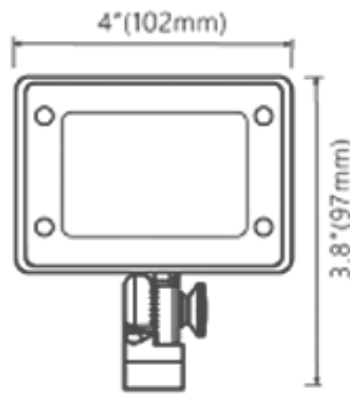




# INTEGRATED FLOOD LIGHT SPEC SHEET



## FEATURES

- Integrated DIP switch
- ETL Listed

## SPECIFICATIONS

- Wattage: 1-5W adjustable
- Color: Antique Bronze
- Color Temperature: 2700K

## MATERIALS

Die-Cast Brass

## WARRANTY

5 Year Warranty