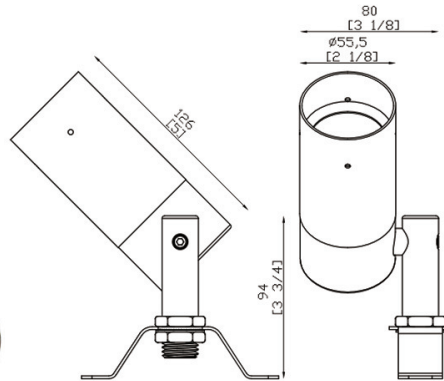




# MR16 DOWN LIGHT SPEC SHEET



## FEATURES

- Rated IP65 for working in the harsh outdoor environment
- Pre-stripped wire for quick wiring
- Drop-in hold for easy bulb replacement

## SPECIFICATIONS

- Lamp: MR-16 (not included)
- Input Voltage: 12V
- Lens: Round Flat Clear Glass
- Lead Wire: 72" SPT-1W, 18 Gauge

## MATERIALS

Die-Cast Brass

## WARRANTY

Lifetime Warranty