

EZ LOAD system

Ideal for rack machines

Tight spaces and ergonomic

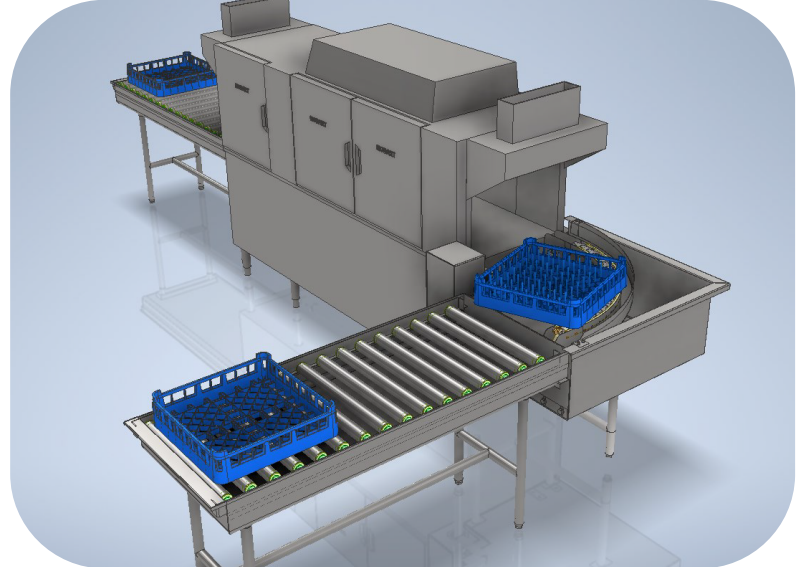
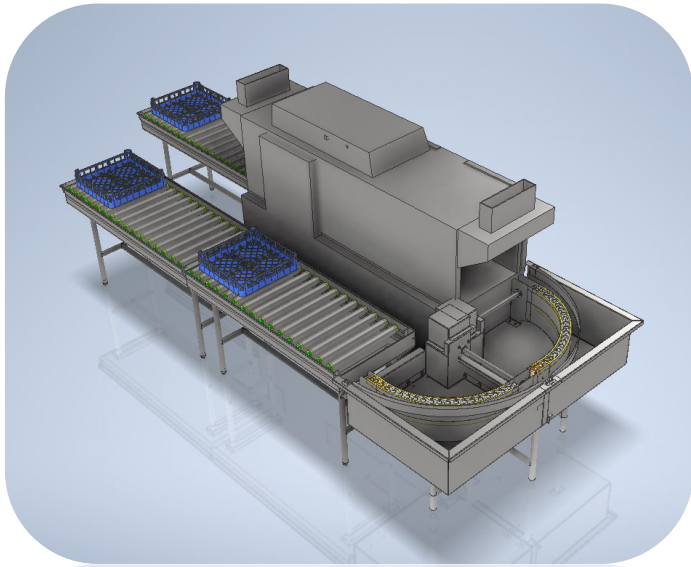
Cost effective solution

20VDC -5amp -1phase

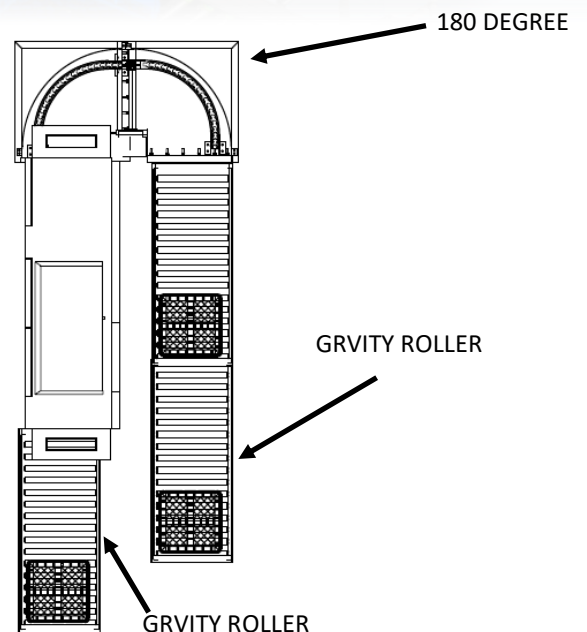
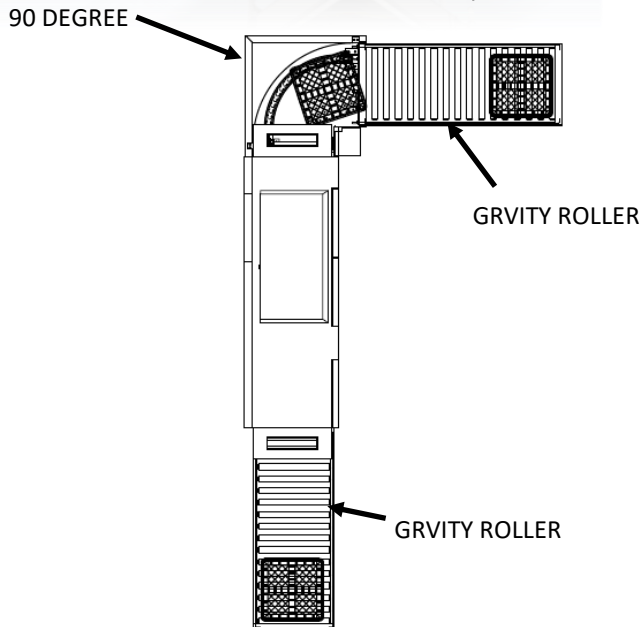
Options 180 or 90 degrees

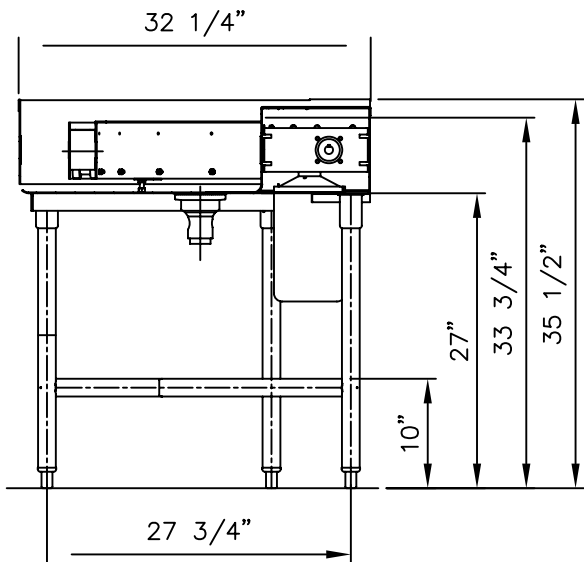
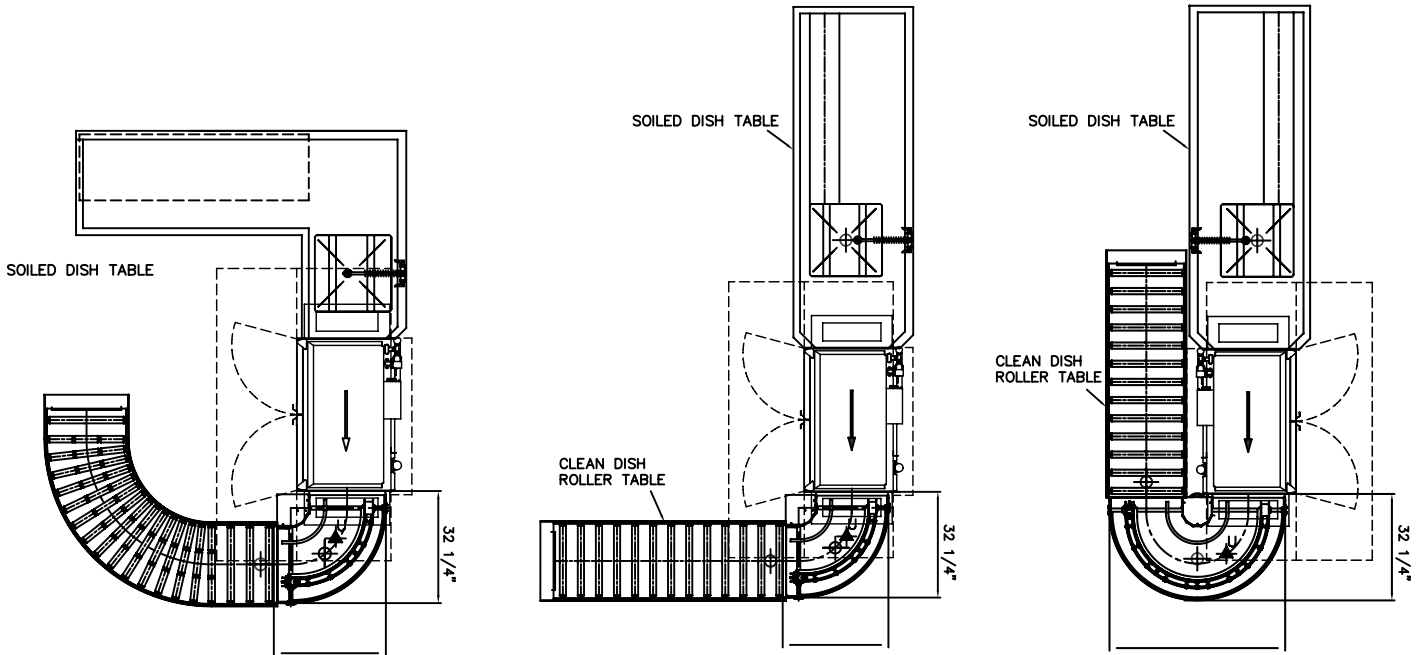
Curve size 24" by 24" for corner spaces

Continuous running without stopping and speed controlled



Typical layouts





SECTION A-A

