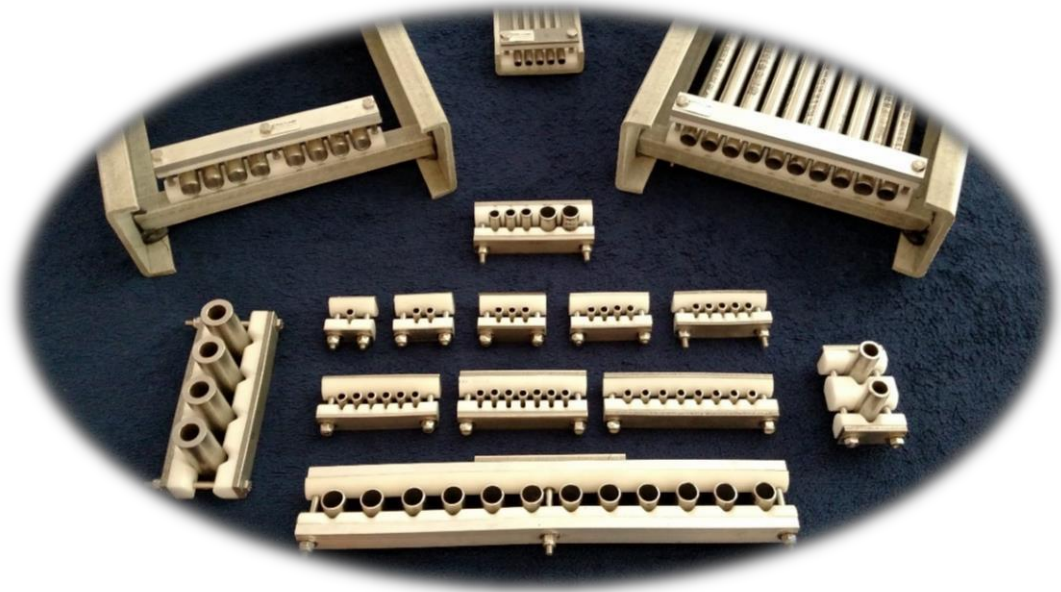
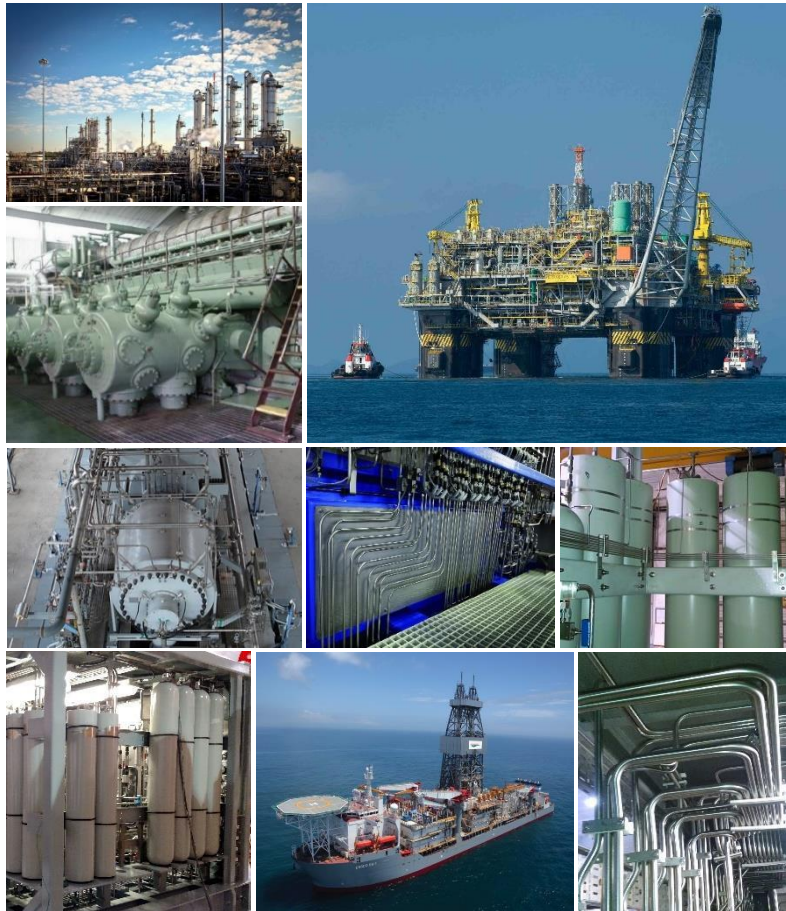


VERSA-CLAMP® PATENTED



TUBING AND PIPE SUPPORTS



INNOVATION AND LEADING TECHNOLOGY

www.versa-clamp.us

The VERSA-CLAMP® Solution

VERSA-CLAMP®, a tubing and small-bore pipe clamp assembly, provides solutions for multiple industry concerns. The unique design of these precision engineered products offers highly innovative, solutions-driven and virtually limitless system applications.

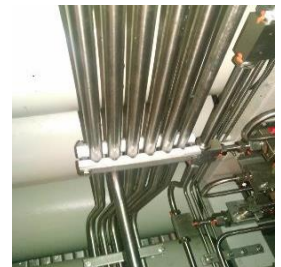
VERSA-CLAMP® Technology Provides Versatility and Solutions for:

- Vibration
- Metal to metal contact
- Crevice corrosion
- Ventilation around tubing and support contact points
- Minimum contact between tubing and support
- Isolation of dissimilar metals
- Installation space constraints
- Secure and robust support for heavy wall tubing and pipe in vertical installations
- Reducing project cost
- Installation time and ease
- Spacing of tubing to eliminate dirt or salt build up
- Special designs for unique applications
- Upgrading existing systems by replacing or retrofitting



VERSA-CLAMP® Achieves Solutions by:

- Design features
- Materials of construction
- Manufacturing methods
- Reducing structural support sizing requirements
- Reducing installation bolting points
- Versatility of same size O.D. tubing or multiple sizes in the same clamp assembly
- Being adaptable to retrofit applications by matching dimensional specifications
- Project advantages
- Stocking distributors

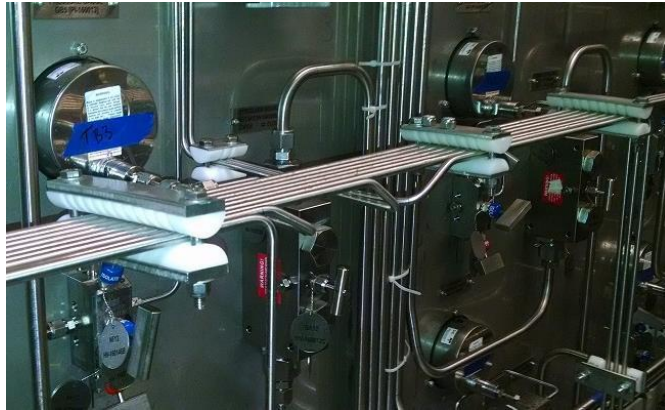


VERSA-CLAMP® Advantage

Primary first order effects of VERSA-CLAMP® versatility create project budgeting factors that that save both time and money during the construction process are primary.

Project Advantages:

- Pre-packaged products substantially reduce conventional labor for on-site installation
- Reduces the number of assembly components when compared to conventional products
- Simplifies installation with less bolting points
- Consolidate multiple size tubing or pipe in a single support
- Packaged clamp assemblies are readily available
- On-site fabrication is possible with VERSA-CLAMP® rod
- Full line of products for complete systems installations
- Pre-packaged assemblies include 1/8" spacing between tubes to allow for the maximized number of tubes used in a single assembly, but customers can specify other spacing for their application



Manufacturing Methods

VERSA-CLAMP® manufacturing methods include: fabrication, precision machining, and injection molding. This diversity of methods helps reduce project costs by:

- Providing materials in bulk quantities
- Reduced manufacturing lead times
- VERSA-CLAMP® provides compact and multi-tube configuration designs through precision machining and injection molding which reduces structural support sizing requirements; channel, ladder tray, etc.



Example:
P/N 3C-DW-5/8-4-8-1/2-2-6-3-2S
(4) 1/2" tubes and (2) 3/8" tubes

Design features

VERSA-CLAMP® unique patented design features achieve superior performance and functionality.

Features include:

1. Circular Clamp Body

Minimum contact between tubing and the support is achieved when two circular objects come in contact with one another. VERSA-CLAMP® accomplishes this with circular shaped clamp bodies.

2. Ventilating Grooves

With tubing making contact on the outer edges of the groove, a ventilating area under the tube is present. This provides air space for the evaporation and wicking away of moisture, consequently reducing the risk of crevice corrosion.

3. Groove Design

VERSA-CLAMP® addresses vibration with groove design features. Each groove is sized so that tubing is held firmly and securely for horizontal and vertical installations. Grooves size and shape give clamp assemblies necessary compression between bolts, eliminate the need for shims, and reduce the number of bolting points in longer assemblies.

4. Groove Dimension

Groove dimensioning and spacing allow for the combination of different tubing O.D. sizes to be combined in same clamp body assembly. It also enables VERSA-CLAMP® to consolidate single line clamp assemblies to accommodate more than one size.

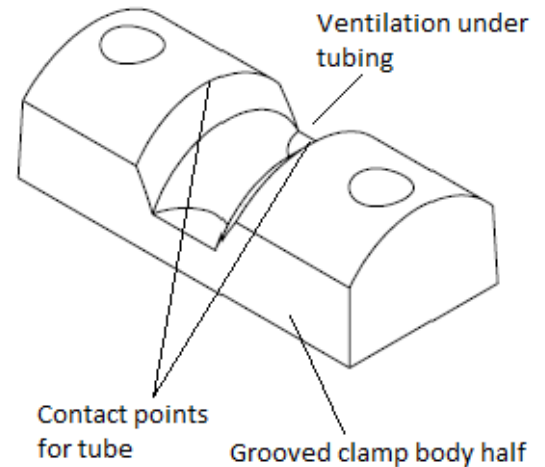
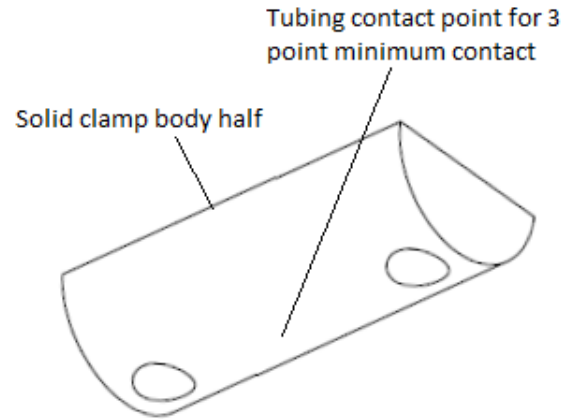
Example:

* *p/n 2C-DW-0-1-468-3-1S* Single tube support for sizes: 1/4", 3/8", 1/2" 9/16" O.D. (5.5mm– 14.5mm)

* *p/n 2C-DW-0-1-1216-3-1S* Single tube support for sizes: 5/8", 3/4", 1.0" O.D. (15mm -28mm)

5. Non-Metallic / Non-Conductive Clamp Bodies

VERSA-CLAMP® bodies are made from Dupont™ Delrin® material providing isolation of dissimilar metals and elimination of electrolysis that contributes to corrosion.



Clamp bodies shown part no. 2C-DW-0-1-1216-3-1S
Tube support for 5/8", 3/4" and 1" O.D.
(15mm-28mm O.D.) (Hardware not shown)

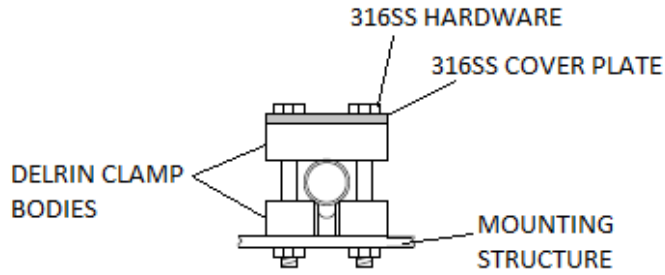


Shown p/n 2C-DW-0-1-468-3-1S

Single tube support for sizes: 1/4", 3/8", 1/2" 9/16" O.D. (5.5mm– 14.5mm)

Installation

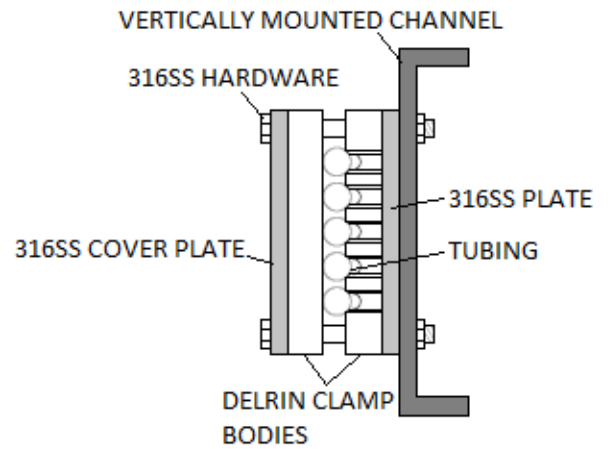
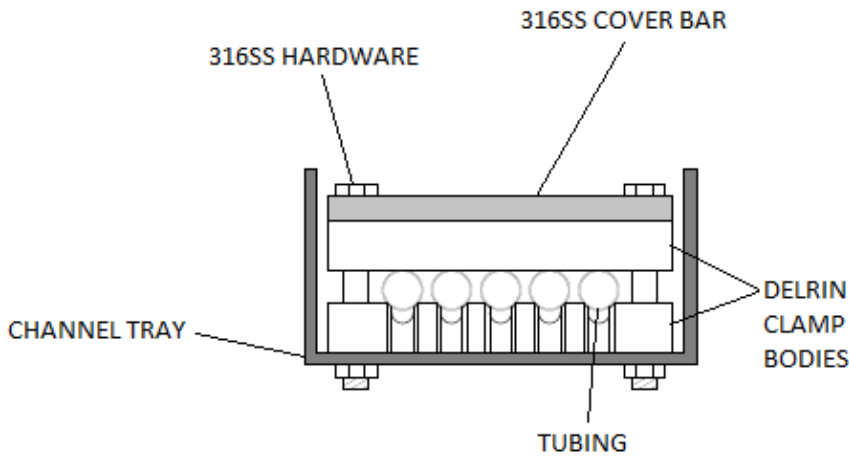
Single tube clamp assembly



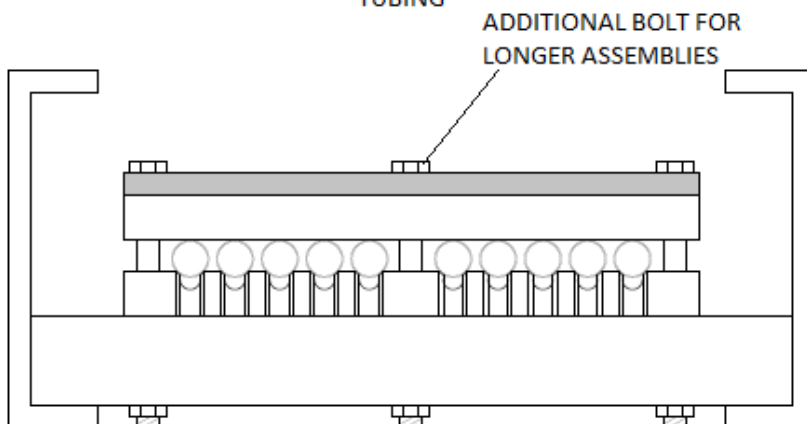
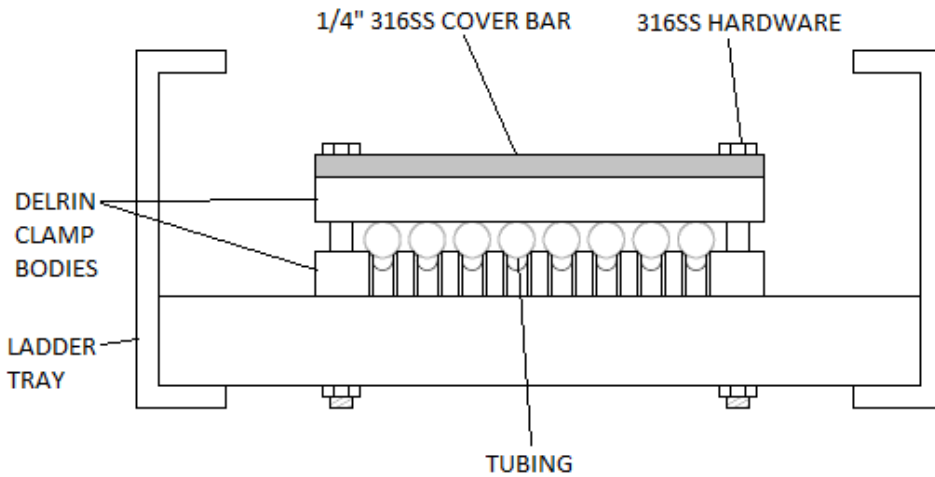
VERSA-CLAMP'S® exceptional versatility enables installation in a variety of applications.

- Gang Clamping
- Channel Tray
- Ladder Tray
- Attaches easily to brackets and mounting fixtures such as cable hangers and tray accessories

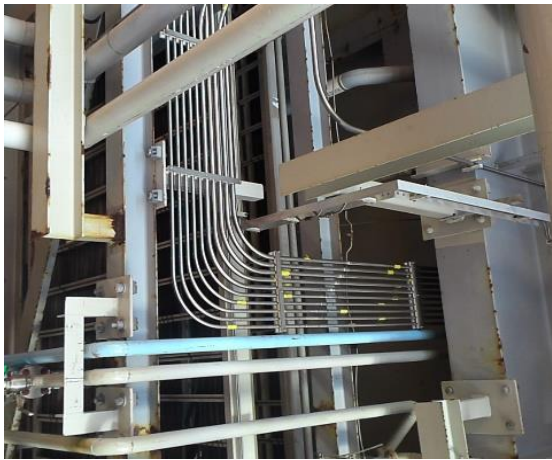
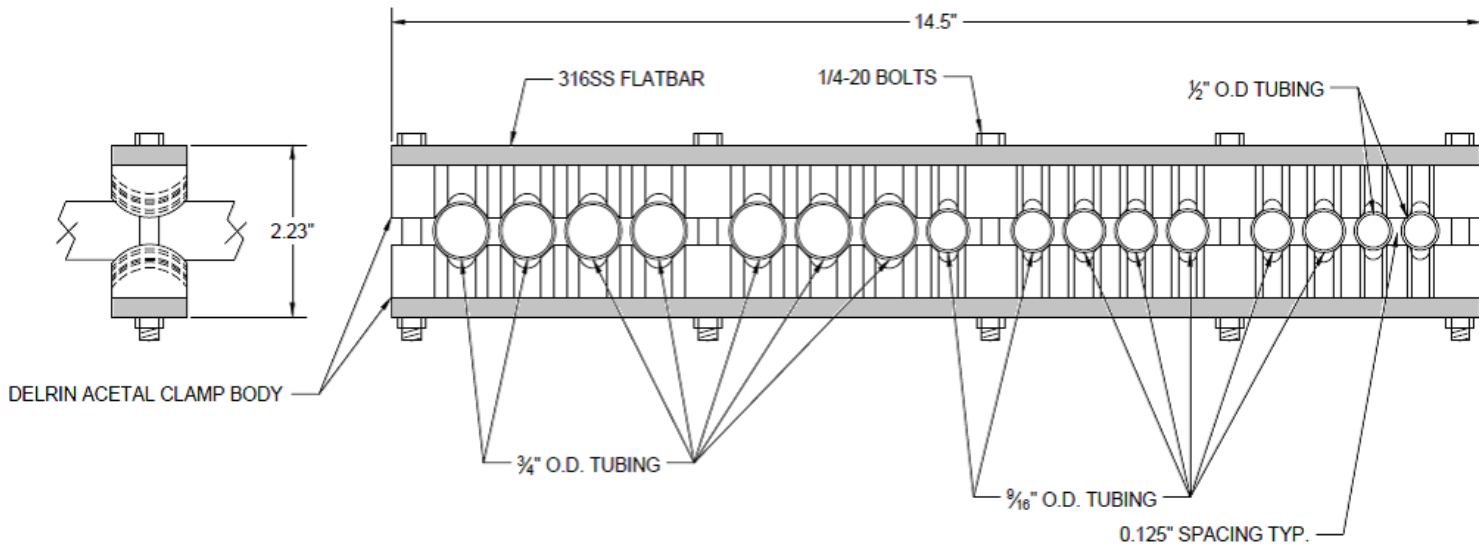
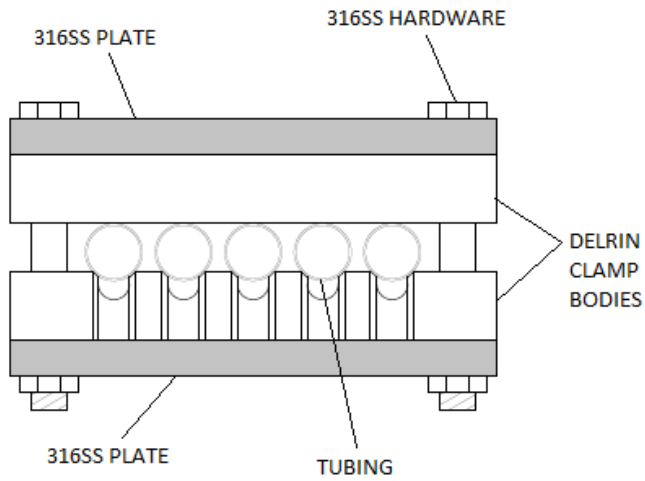
Channel tray installation



Ladder tray installation



Gang clamp installation



VERSA-CLAMP® has been installed on many facilities in the Gulf of Mexico as well as overseas.

VERSA-CLAMP ® Distributors



METALS AND TUBES

I N T E R N A T I O N A L

Alloy Metals and Tubes International
11242 Brittmoore Park Dr.
Houston, Tx. 77041
Toll Free: 855.625.2507
Phone: 713.935.0100
Fax: 713.464.9194
<http://www.alloy-metals.com>



Flow Solutions LLC

Arrow Flow Solutions LLC
131B Lear Drive
Hammond, LA 70401
Phone: 844.357.7585
Email: sales@arrowflowsolutionsllc
www.arrowflowsolutionsllc.com