

SPACECRAFT COMPONENTS CORP.

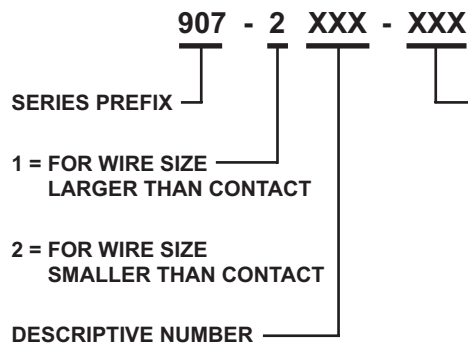
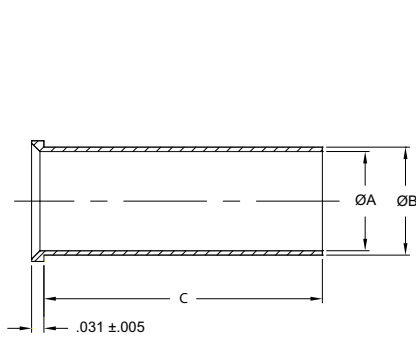
S e r v i n g C o n n e c t o r U s e r s S i n c e 1 9 6 2

Crimp Contact Wire Adapters



907-2*** SERIES

CRIMP ADAPTER FOR WIRE SIZE SMALLER/LARGER THAN CONTACT



MATERIAL /FINISH

- 110 Brass, Silver over nickel
- 140 Brass, Light gold over nickel
- 142 Brass, Heavy gold over nickel

* Material/finish codes -000 & -011 are obsolete. Both replaced by -110

PART NUMBER	MILITARY MS3348	CRIMP CONTACT WIRE BARREL SIZE AWG	WIRE SIZE AWG	WIRE SIZE MM	A +.002 -.003	B +.002 -.003	C Ref.
907-2005-***	-	20	26	0.14	.023	.042	.120
907-2011-***	-	20	26	0.14	.023	.042	.120
907-2010-***	-	20	24-30	0.25-0.05	.027	.042	.120
907-2012-***	-	16		0.12	.033	.063	.230
907-2013-***	-	16	26	0.14	.033	.063	.230
907-2016-***	-	16	24	0.25	.035	.063	.230
907-2020-***	-	16	22-24	0.34	.035	.063	.230
907-2021-***	-	16	22	0.34	.043	.063	.230
907-2022-***	-	16	22	0.34	.035	.063	.190
907-2025-***	-	16	22	0.34	.043	.059	.149
907-2030-***	-	16	20	0.50	.046	.063	.230
907-2037-***	-	14	22	0.34	.043	.070	.230
907-2038-***	-	12	20	0.50	.046	.094	.221
907-2039-***	-	12	18	0.75	.065	.094	.221
907-2040-***	-	12	16	1.50	.069	.094	.230
907-2041-***	-	12	18	0.75	.054	.094	.221
907-2043-***	-	6.0 MM		1.50	.068	.140	.230
907-2045-***	-	6.0 MM		2.50	.086	.140	.230
907-2049-***	-	8	18	0.75	.065	.173	.380
907-2050-***	-	8	16	1.50	.069	.173	.380
907-2051-***	-	8	16	1.50	.072	.173	.422
907-2053-***	-	8	14	2.50	.086	.173	.422
907-2055-***	-	8	14	2.50	.086	.173	.422
907-2056-***	-	8	12	3.00	.111	.173	.380
907-2060-***	-	8	12	3.00	.111	.173	.380
907-2061-***	-	8	12	3.00	.111	.173	.380
907-2062-***	-	8	12	3.00	.111	.178	.380
907-2068-***	-	8	10	6.00	.126	.175	.380
907-2070-***	MS3348-8-10	8	10	6.00	.136	.173	.380
907-2071-***	-	8	10	6.00	.144	.173	.380
907-2072-***	-	8	10	6.00	.136	.173	.422
907-2073-***	-	8SP	12	3.00	.100	.130	.422
907-2077-***	-	10 MM	12	3.00	.100	.173	.422
907-2080-***	MS3348-6-10L	6	10	6.0	.136	.225	.700
907-2090-***	MS3348-6-9L	6	9		.155	.225	.700
907-2100-***	MS3348-6-8L	6	8	10.0	.185	.225	.700
907-2102-***	-	16 MM		2.5	.086	.240	.480
907-2103-***	-	16 MM		4.0	.111	.240	.480
907-2105-***	-	16 MM	10	6.0	.144	.240	.480
907-2107-***	-	16 MM	8	10.0	.185	.240	.480
907-2108-***	-	4	10	6.0	.136	.272	.373
907-2109-***	-	4	10	6.0	.144	.272	.380
907-2110-***	-	4	8	10.0	.185	.272	.380



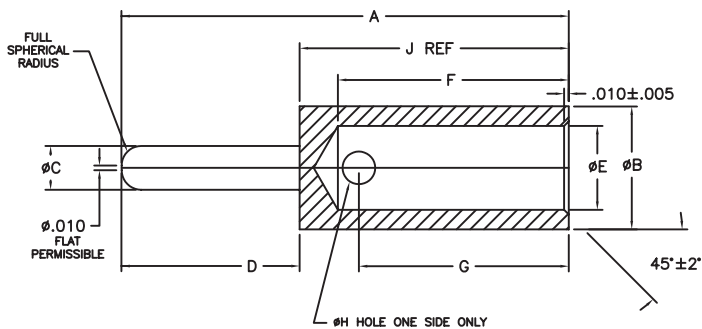
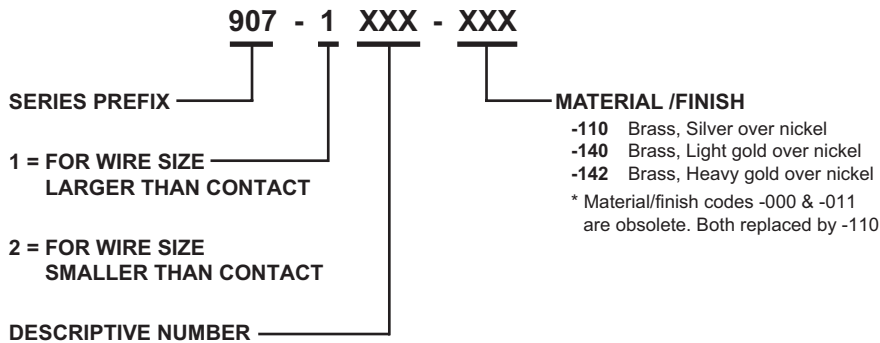
907-2*** SERIES

CRIMP ADAPTER FOR WIRE SIZE SMALLER/LARGER THAN CONTACT

PART NUMBER	MILITARY MS3348	CRIMP CONTACT WIRE BARREL SIZE AWG	WIRE SIZE AWG	WIRE SIZE MM	A +.002 -.003	B +.002 -.003	C Ref.
907-2111-***	MS3348-4-8L	4	8	10.0	.185	.272	.700
907-2112-***	-	4	8	10.0	.197	.272	.380
907-2113-***	-	4	5	15.0	.197	.272	.380
907-2114-***	-	4	8	10.0	.197	.272	.380
907-2117-***	-	4	6	16.0	.225	.272	.422
907-2118-***	-	4	12	4.0	.101	.272	.240
907-2119-***	MS3348-4-6L	4	6	2.5	.235	.272	.700
907-2120-***	MS3348-4-6	4	6	16.0	.225	.272	.380
907-2130-***	-	4	6	16.0	.225	.272	.700
907-2140-***	MS3348-4-5L	4	5	15.0	.250	.272	.700
907-2150-***	-	4	5	15.0	.242	.272	.380
907-2152-***	-	4	5	15.0	.240	.272	.440
907-2153-***	-	4	6	16.0	.244	.272	.440
907-2154-***	-	4	313 MCM		.730	.823	
907-2155-***	-	25 MM	10	6.0	.144	.300	.480
907-2156-***	-	25 MM	6	16.0	.244	.300	.480
907-2158-***	-	2	4	25.0			
907-2160-***	MS3348-1-6L	1	6	16.0	.225	.396	.700
907-2165-***	-	1	6	16.0	.250	.396	.700
907-2170-***	MS3348-1-2L	1	2	35.0	.359	.396	.700
907-2171-***	-	50 MM	4	25.0	.300	.415	.600
907-2172-***	-	1/0	10	6.0	.136	.444	.644
907-2173-***	-	1/0	8	9.0	.185	.444	.644
907-2174-***	-	1/0	8	10.0	.197	.444	.644
907-2175-***	-	1/0	6	16.0	.225	.444	.644
907-2176-***	-	1/0	6	16.0	.244	.444	.536
907-2178-***	-	1/0		20.0	.195	.444	.536
907-2179-***	-	1/0	4	25.0	.307	.444	.536
907-2180-***	-	1/0	4	25.0	.299	.444	.536
907-2181-***	-	1/0	8	10.0	.197	.444	.500
907-2182-***	-	1/0	2	35.0	.244	.444	.500
907-2183-***	-	1/0	4	25.0	.307	.444	.500
907-2184-***	-	1/0	2	35.0	.354	.444	.500
907-2185-***	-	1/0		50.0	.421	.444	.500
907-2186-***	-	1/0	2	35.0	.359	.444	.664
907-2187-***	-	1/0	4	25.0	.282	.444	.664
907-2188-***	-	1/0	4	25.0	.282	.444	.536
907-2190-***	MS3348-0-2	1/0	2	35.0	.359	.444	.536
907-2210-***	-	1/0	2	35.0	.417	.444	.536
907-2200-***	-	1/0	1	50.0	.390	.444	.536
907-2201-***	-	50 MM	2	35.0	.354	.410	.500
907-2202-***	-	1/0		50.0	.421	.444	.536
907-2203-***	-	2/0	2	35.0	.359	.491	.528
907-2204-***	-	2/0	4	25.0	.307	.491	.528
907-2205-***	-	2/0	2/0	70.0	.440	.491	.528
907-2206-***	-	2/0		50.0	.421	.491	.528
907-2210-***	-	70MM	4	25.0	.307	.491	.500
907-2211-***	-	70MM		50.0	.421	.491	.500
907-2207-***	-	95 MM	2/0	70.0			
907-2218-***	-	4/0	2/0	70.0	.500	.615	.700
907-2219-***	-	4/0	2	35.0	.560	.629	.700
907-2220-***	MS3348-4/0-2/OL	4/0	2/0	70.0	.500	.629	.700
907-2221-***	-	4/0	3/0	95.0	.564	.629	.700
907-2230-***	-	150 MM	2/0	70.0	.500	.629	.700
907-2240-***	-	190 MM	4/0	107.0	.641		
907-2250-***	-	DIN500	6	16.0	.244		
907-2253-***	-	DIN500	2	35.0	.354		

907-1*** SERIES

CRIMP ADAPTER FOR WIRE SIZE LARGER THAN CONTACT



PART NUMBER	CRIMP CONTACT WIRE BARREL SIZE AWG	WIRE SIZE AWG	A ±.010	B ±.002	C ±.002	D ±.005	E ±.002	F ±.010	G ±.005	H ±.002	J REF
907-1010-***	12	8-10	.807	.264	.094	.230	.181	.495	.450	.070	.577
907-1020-***	16	12-14	.549	.149	.062	.230	.100	.260	.220	.039	.319
907-1021-***	16	12-14	.617	.156	.062	.200	.100	.200	.160	.039	.400
907-1030-***	20	12-14	.509	.149	.038	.190	.100	.260	.220	.039	.319
907-1040-***	20	16-18	.499	.102	.038	.190	.067	.260	.220	.039	.309
907-1050-***	22	20-22	.363	.069	.029	.120	.047	.199	.190	.029	.243
907-1060-***	22	16-18	.429	.102	.029	.120	.067	.260	.220	.039	.309



SPACECRAFT

COMPONENTS CORP.

Headquarters

3040 Clayton Street
North Las Vegas, NV 89032

Phone: 702.851.7600
Fax: 702.851.7620

Email: salesinfo@spacecraft.com
Web: www.spacecraft.com

Florida Office

10732 NW 53rd St.
Sunrise, FL 33351
Tel: 954.748.4540
Fax: 954.748.4128

Arizona Office

519 W. Lone Cactus Dr.
Suite 401
Phoenix, AZ 85027
Tel: 623.580.1162
Fax: 623.580.1165

Italy Office

Spacecraft Components, Sp A
Milan, Italy
+39 (335) 719.4512

Mexico Office

Av. Constituyentes 13-6 Col. Pueblo Nuevo
Queretaro, Qro 76900
+52 442 341 69 63

SF-111
09.12