

Multi-Pin Cylindrical Reverse Bayonet Connectors



Primary Markets:

- ▶ HMI Lighting
- ▶ Railway/Transit Systems
- ▶ Combat Vehicles
- ▶ Industrial Machinery



SPACECRAFT
COMPONENTS CORP.

SPACECRAFT AT A GLANCE

Your Connector Consultant
Since 1962



Founded in 1962, Spacecraft is a family-owned, leading manufacturer and distributor of cylindrical connectors for the railways/transit, military, aerospace and various harsh environment markets.

As a Manufacturer, Spacecraft's core focus is manufacturing reverse bayonet connectors geared towards railway and transit applications. Our extensive engineering and manufacturing experience with reverse bayonet connectors provides us with the opportunity to offer a broad range of derivative cylindrical products in a short period of time with an assurance of exceptional quality.

As a Distributor, Spacecraft has developed key partnerships with world-class manufacturers whose products encompass MIL-SPEC and harsh environment industrial connectors. We are an authorized MIL-STD-790 value-added assembler for our principal connector manufacturers, such as Souriau, Reiku, Corsair, Sunbank, Astro Tool Corp., Mencom and Ulti-Mate. We stock a wide and deep variety of QPL components which enables us to provide a vast assortment of completed QPL connectors within a three-day turnaround.

As an Organization, Spacecraft prides itself on providing consultative service by utilizing our greatest asset: Our people!

Spacecraft invites you to tour our best-in-class facility located in North Las Vegas, Nevada, USA.

Spacecraft's Core Values

- MIL-STD-790 Certified
- Over 9 Million Connectors in Inventory
- Technical Solutions Oriented
- A Consultative Sales Team
- Vertically Integrated
- Supporter of the Buy American Act



Exceeding Your Quality Expectations

Spacecraft Components Corp. warrants to the original purchaser that it will correct by replacement any defect in workmanship or in-operation of any component purchased from Spacecraft Components Corp. for the life of the equipment in which the component is originally and properly installed. This agreement and warranty supersedes all other warranties expressed or implied.



CIDS (Connector Identification System)

Your Online Source for MIL-SPEC Cylindrical Connectors

CIDS Search for Another Part

Part Number: 03899940J215H

Superly: [Blank]

Vendor: Military

SCPIE: [Blank]

Description: Receptacle, Vial Mount

MilSpec: MIL-DTL-38999 Series IV Composite, Crimp Rear Release Conn

Coating: Brevco-LDC	Contact Type: Crimp, Rear Release
Material: Composite	Shell Size: 23
Finish: CD Plated, CD 2000HR Salt Spray IC	Insert Number: H21
Environmental: Environmental	Rear of Connector: MIL-C-38999 Series IIIA IV Threads
Fluid Resistance: Part III	Backshell: [Blank]
Temperature Range: -55C to +175C	Backshell ID: [Blank]
Sec: Socket/Female	Basic Material: [Blank]
Polarization Degree: Normal	Cable Range: [Blank]
Plug Diameter: 1.821 in 46.51 mm	Contact Size: [Blank]

Total Contacts	Quantity	Size	Contact Part Number	Notes
21	21	10	M3802956-352	

< Back Drawings Insert Accessory Mate Substitute Sources

- Access to MIL-SPEC Data Sheets in an Instant
- Identify Crimp Tools for Your Contacts
- Identify the Mating Connector
- Identify the Accessories for Your Connector

Mission Statement

To provide a work environment where our employees can meet their potential and thrive in an atmosphere of excellence by utilizing their strengths and attributes towards supporting our customers, thereby providing superior products and exceptional service which helps our customers gain a competitive advantage in their markets.

Locations

- Nevada Headquarters 702.851.7600
- Florida Office 954.748.4540
- Arizona Office 623.580.1162
- Mexico Office +52 442 341 69 63
- Italy Office +39 (335) 719.4512



3040 Clayton Street
North Las Vegas, NV 89032

Phone: 702.851.7600
Fax: 702.851.7620

Email: salesinfo@spacecraft.com
Web: www.spacecraft.com

MULTI-PIN CYLINDRICAL REVERSE BAYONET SCPb CONNECTORS

© 2011 Spacecraft Components Corp. North Las Vegas, NV 89032

CATALOG 302 TABLE OF CONTENTS

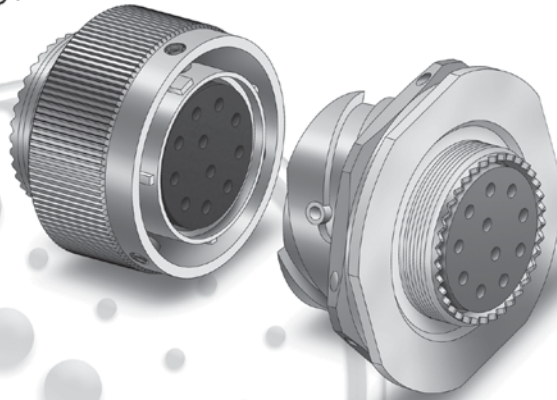
MIL-DTL-5015/VG95234 Reverse Bayonet Coupling Connectors	1C-1
Connector Types, Quick Reference	1C-2
Entertainment Industry Connectors	1C-89
Audio-Video	1C-91
Control Lighting Connectors.	1C-92
HMI Lighting Connectors.	1C-95
Shell Size 52 Transit Connectors	1C-103
SCPb Series Connector Accessory Quick Reference	2C-1
Contacts	3C-1
Contact Crimp Adapters	3C-8
Coaxial Contacts.	3C-11
Contact Tooling	3C-12
Thermocouple Contacts.	3C-15
Insert Configurations	4C-1
Connectors for Plastic Conduit	5C-1
Mounting Data for Receptacles	6C-2
Accessories.	6C-3
Terminal Lugs	6C-15
Termination Bands	6C-16
Cross Reference/Index	7C-1

We've Got You Covered

SPACECRAFT COMPONENTS CORP.
Your Connector Consultant Since 1962

SCPB39 SERIES

A REVERSE BAYONET COUPLING
DESIGNED AROUND
MIL-DTL-38999 INSERT ARRANGEMENTS



- ▶ Uses M39029 Contacts & Tools
- ▶ Uses M85049 Accessories
- ▶ Coupling provides a positive lock with an audible "Click" in 1/3 turn of the coupling nut
- ▶ Same footprint as MIL-STD-38999 Series III Square Flange Receptacle Shells & Plugs
- ▶ EMI/RFI Shell-to-Shell Grounding



Contact
Spacecraft's
Consultative Sales Team
for Ordering Information



YOUR
**CONNECTOR
CONSULTANT**
SINCE 1962

 **SPACECRAFT
COMPONENTS CORP.**

702.851.7600

SECTION 1C

MIL-DTL-5015 SERIES 1/VG95234 TYPE

REVERSE BAYONET COUPLING

The SCPB connectors shown here are a hybrid of the popular MIL-DTL-5015 Series 1 specification and share the same insert configurations, basic outline and mounting dimensions. Developed to meet severe industrial applications, the design features quick positive coupling, dynamic sealing, temperature range of -55°C to +125°C and high shock and vibration capabilities. Positive coupling is indicated audibly and by feel when the lock pins snap into place. Locking is confirmed visually when yellow dots on the receptacle and plug are in alignment.

VG95234 SPECIFICATION

The SCPB connectors are compatible with and are intermateable with VG95234 European specification connectors. However, the VG95234 specification requires higher push-out forces than standard and does not allow for solder contacts.

Spacecraft Components Corp. SCPB connectors meet the performance requirements of MIL-DTL-5015 Series 1. Performance, reliability and interchangeability with products of other manufacturers are guaranteed.

An extensive accessory range permits these connectors to operate in any environment, and a high number of insert configurations cover every need of the user.

SHELLS

Shell components are fabricated from high grade aluminum alloy per QQ-A-225 or QQ-A-591 or equivalent. Finish is electrically conductive cadmium plate with an olive drab chromate after-treatment per QQ-P-416, Type II, Class 3. This finish offers corrosion resistance to MIL-STD-1344, Method 1001, Test Condition B. Other finishes are available. These connectors are also available in type 303 or 316 stainless steel with passivated, black cadmium or electrodeposited nickel finishes. Contact the Sales Department for further information.

INSERT AND GROMMETS

They are manufactured of synthetic rubber per MIL-R-3065 and offer high dielectric strength and resistance to hydraulic and lubrication oils. Rated temperature range is -55°C to +125°C. A low-smoke, self-extinguishing, halogen-free material is available.

CONTACTS

Pin and socket contacts are machined from bar stock and designed to resist severe vibration and repeated mating cycles. Socket contacts Sizes 16 and 12 are of a closed entry design. Contacts are available in both solder and crimp versions. Thermocouple materials are also available. Standard plating finish is silver with gold being available.

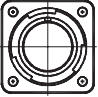

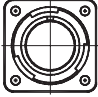
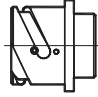


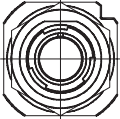
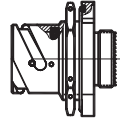
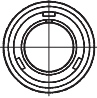
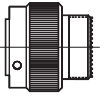

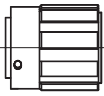


CHARACTERISTICS

- Durable, field-proven design
- Environmental resistant
- Resilient inserts
- Single key/keyway shell polarization
- Operating voltage to 3000 VAC (RMS) at sea level
- Cost effective

OPTIONS

- Solder or crimp contacts, sizes 18 to 4/0 accepting 22 to 4/0 AWG wire
- Coaxial and thermocouple contact options
- 13 basic shell styles
- 12 shell sizes
- Two hundred and seventy-three contact arrangements from 1 to 150 circuits
- Alternate insert positioning

REVERSE BAYONET CONNECTOR QUICK REFERENCE

SHELL TYPES	GROMMET SEAL		CONDUIT ADAPTER		ONE PIECE STRAIN RELIEF	MS3057*A CLAMP		MS3057*C CLAMP							
	ENVIRONMENTAL, NO GROMMET	ENVIRONMENTAL WITH GROMMET	NON-ENVIRONMENTAL, NO GROMMET	SOLID SHELL	LOCKING SHELL	SOLID SHELL	LOCKING SHELL	SOLID SHELL	LOCKING SHELL						
	ARV	RV	N/A	A1	AX1	N/A	N/A	N/A	N/A	CF	CFX	CFZ	CFZX	N/A	N/A
WALL MOUNT RECEPTACLE															
 	SCP B00* FRONT MOUNT	•	•	N/A	•	•	N/A	•	N/A	•	N/A				
	SCP B020* FRONT MOUNT	BACKSHELLS NOT SUPPLIED WITH THIS CONFIGURATION OF SHELL													
	SCP B030* REAR MOUNT WITH REAR TEETH	•	•	•	•	•	•	•	•	•	•	•	•		
	SCP B038* REAR MOUNT WITH 90 degree BACKSHELL	USE SCP B030* FOR STRAIGHT BACKSHELLS													
BOX MOUNT RECEPTACLE															
 	SCP B02* FRONT MOUNT (REAR THREADS OPTIONAL)	SINCE THESE SHELLS DO NOT HAVE REAR THREADS, BACKSHELLS CANNOT BE USED													
	SCP B03* REAR MOUNT (REAR THREADS OPTIONAL)														
IN-LINE RECEPTACLE															
 	SCP B01*	•	•		•	•		•		•					
JAM NUT RECEPTACLE															
 	SCP B070*	•	•	•	•	•	•	•	•	•	•	•	•		
	SCP B07* (LESS REAR THREADS)	SINCE THESE SHELLS DO NOT HAVE REAR THREADS, BACKSHELLS CANNOT BE USED													
PLUG															
 	SCP B06* STRAIGHT	•	•	•	•	•	•	•	•	•	•	•	•		
	SCP B06*GG* RUBBER COVERED COUPLING NUT	•	•	•	•	•	•	•	•	•	•	•	•		
	SCP B065* HEAVY DUTY RIBBED COUPLING NUT	•	•	N/A	•	•	N/A	•	N/A	•	N/A	•	N/A		
 	SCP B08* 90 degree	USE SCP B06* FOR STRAIGHT BACKSHELLS													
HEAVY DUTY RIBBED COUPLING NUT	SCP B08*GG* RUBBER COVERED COUPLING NUT	USE SCP B06* FOR STRAIGHT BACKSHELLS													
PANEL MOUNT PLUG															
 	SCP B064	SINCE THESE SHELLS DO NOT HAVE REAR THREADS, BACKSHELLS CANNOT BE USED													

REVERSE BAYONET CONNECTOR QUICK REFERENCE

MS3057°C CLAMP (LONG LENGTH)		PIPE THREAD		SHRINK BOOT	SHRINK BOOT	SHRINK BOOT EMI/RFI	CONDUIT ADAPTER	MS3057°A CLAMP	MS3057°C CLAMP
SOLID SHELL	LOCKING SHELL	SOLID SHELL	LOCKING SHELL	SOLID SEAL	LOCKING SHELL	LOCKING SHELL	LOCKING SHELL	LOCKING SHELL	LOCKING SHELL
LCF	LCFX	APT	APTX	AG	AG2G	ASB	08R1	N/A	08CFZ
LCFZ	LCFZX	PT	PTX	G	G2G	SB	08R	08F	08CFZ1
N/A	N/A	N/A	N/A	N/A	N/A	N/A	08A	08AF	N/A
•	N/A	•	N/A	•	N/A	•	NOT RECOMMENDED WITH FRONT MOUNT RECEPTACLE		
•	•	•	•	•	•	•	USE SCPB038*	USE SCPB038*	USE SCPB038*
							•	•	•
•		•		•		•	NOT RECOMMENDED FOR USE, CONSULT FACTORY.		
•	•	•	•	•	•	•	CONSULT FACTORY FOR PART NUMBERS		
•	•	•	•	•	•	•	USE SCPB08*	USE SCPB08*	USE SCPB08*
•	•	•	•	•	•	•	USE SCPB08*GG*	USE SCPB08*GG*	USE SCPB08*GG*
•	N/A	•	N/A	•	N/A	N/A	N/A	N/A	N/A
							•	•	•
							•	•	•

SCPB SERIES

ORDERING INFORMATION

SCPB 00 CFZ 18 - 1 S W F80 XXX

SERIES PREFIX

- SCPB** Receptacles with wear pins.
- SCPBS** Receptacles without wear pins.
- SCPBH** Inserts are Halogen free.
- SCPBG06** Plug with EMI/RFI ground spring.

SHELL STYLE

See Table I below.

CLASS

See Table II below.

SHELL SIZE

10SL, 14S, 16S, 16, 18, 20, 22, 24, 28, 32, 36, 40.

INSERT CONFIGURATION

CONTACT STYLE

- P** Pin contacts.
 - R1*** Socket with one (1) Spring. Sizes 8, 4, 1/0, 4/0. See Table IV below.
 - R2*** Socket with two (2) Springs. Sizes 8, 4, 1/0, 4/0. See Table IV below.
 - R3*** Socket with three (3) Springs. Sizes 8, 4, 1/0, 4/0. See Table IV below.
 - S** Socket contacts.
 - T** Pin for R1, R2 or R3 Sockets. See Table III below.
- * Low insertion force and high amperage.

MODIFICATION

- A95** Contact: .000010 gold over .000010 nickel.
 - B1** .245 Flat Band SCPSE-02F Included, Shell Sizes 16-40 (See page 6C-16)
 - B3** .250 Flat Band SCPBE-02F Included, Shell Sizes 16-40 (See page 6C-16)
 - B5** .118 Flat Band SCPSE-04F Included, Shell Sizes 10SL-16S (See page 6C-16)
 - B7** .120 Flat Band SCPBE-04F Included, Shell Sizes 10SL-16S (See page 6C-16)
 - F0** Less contacts.
 - 005** Hard black anodize.
 - 023** Electroless nickel.
 - 024** Zinc cobalt, olive drab color.
 - 025** Zinc cobalt, black color.
 - 098** Stainless steel, passivated.
 - 142** Contacts: .000030 gold over .000050 nickel.
 - 989** Zinc nickel, black.
 - 999** Teflon nickel, non-reflective.
- For other codes, contact Sales Dept.

CONTACT TYPE

- BLANK** Solder termination.
- CR** Metric crimp for DIN wire
- CR1** Metric crimp for AWG wire.
- F0** Less contacts.
- F80** Crimp for AWG wire.

ALTERNATE POSITION (POLARIZATION)

BLANK (normal), **W, X, Y, Z**.

FOR ELECTRICAL CHARACTERISTICS SEE PAGE 3C-2

TABLE I. SHELL STYLE

SHELL STYLE	DESCRIPTION
00	Wall mount receptacle
01	In-line receptacle
01FR	In-line receptacle
02R	Box mount receptacle, front panel mount
020R	Wall mount receptacle less rear accessories
020FR	Wall mount receptacle, front panel mount
03R	Box mount receptacle, rear panel mount
03YM	Box mount receptacle, PC tail rear mount
030	Wall mount receptacle for rear panel mounting
030YM	Wall mount receptacle, PC tail
030FR	Wall mount receptacle
038	90° Wall mount receptacle
06	Straight plug
06FR	Straight plug
064PP	Panel mount plug
064FR	Panel mount plug
065FR	Straight plug
07R	Jam nut receptacle
070	Jam nut receptacle with rear accessory threads
078	Jam nut receptacle with 90° backshell
08	90° plug
TB	Thru-bulkhead receptacle

TABLE III. PIN CONTACTS

CONNECTOR ORDERING CODE	PIN PART NUMBER	SIZE	FOR WIRE SIZE		RATING
			AWG	MM ²	
T	R12-7900-110	8	8	9	100 Amps
T	R12-8500-110	4	4	22	168 Amps
T	R10-9200-110	1/0	1/0	53	304 Amps
T	R10-9798-110	4/0	4/0	107	472 Amps

TABLE II. CLASS

APPLICATION	NON-ENVIRONMENTAL	ENVIRONMENTAL WITH GROMMET	ENVIRONMENTAL NO GROMMET
INDIVIDUAL WIRES	A, ARV, LA, LAF	R, LR, R, RV	APT
	AE, AF, LF	E, F, LF	
JACKETED CABLE	-	CFZ, LCFZ	CF, FR(C), FR(PG), FR(SPB), LCF
	-	WKG	FR(C), FR(PG), FR(SPB), WK, WK3
SHIELDED	-	-	WK1
KELLUMS	-	LC, LC3	LCC, LCG4
PG	-	SL1, SLX1	SL, SLX
SHRINK BOOT	-	G, G2G	AG, AG2G, SV
BANDING	-	ST, SU	STG, SUG, SV
SHIELDED	-	SB, SBF, SBT	ASB, ASBF, ASBT, SV
FLEX CONDUIT			
TYPE CL-P	-	NM	NMG
TYPE EF	-	RK	ARK
METAL CORE	-	CMEG	-
RUBBER HOSE	-	-	BC, LP
PMA	-	TRAC	PIL

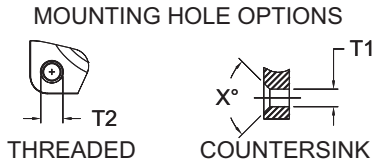
TABLE IV. SOCKET CONTACTS

CONNECTOR ORDERING CODE	SOCKET PART NUMBER	SIZE	FOR WIRE SIZE		SPRINGS	RATING
			AWG	MM ²		
R1	T10-7900-110-1	8	8	9	1	46 Amps
R2	T10-7900-110-2				2	73 Amps
R3	T10-7900-110-3				3	85 Amps
R1	T10-8500-110-1	4	4	22	1	80 Amps
R2	T10-8500-110-2				2	135 Amps
R3	T10-8500-110-3				3	168 Amps
R1	T10-9200-110-1	1/0	1/0	53	1	150 Amps
R2	T10-9200-110-2				2	245 Amps
R3	T10-9200-110-3				3	304 Amps
R1	T10-9795-110-1	4/0	4/0	107	1	225 Amps
R2	T10-9795-110-2				2	350 Amps
R3	T10-9795-110-3				3	500 Amps

WALL MOUNT RECEPTACLE

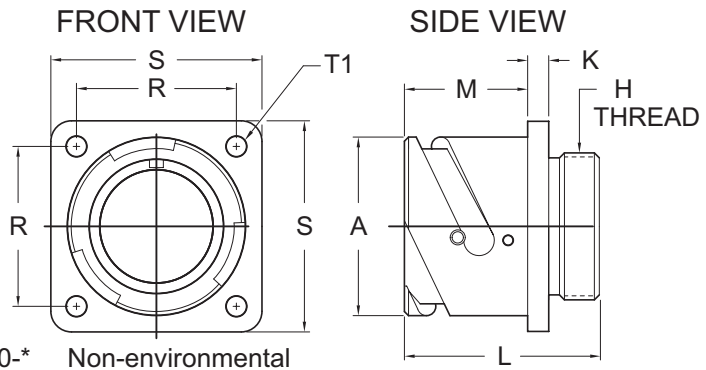
00-*

1C



MOUNTING HOLE CODES

CODE	MOUNTING HOLE TYPE
None	Thru holes
FF	Metric thread
UN	UNC thread
FS	Thru holes W/ Metric C'Sink (X=90°)
FSM	Thru holes W/ UN C'Sink (X=82°)

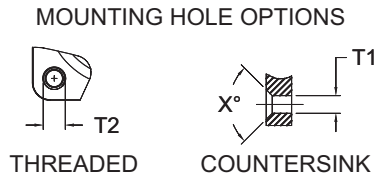


SCPB00-* Non-environmental

SHELL SIZE	FRONT VIEW				SIDE VIEW					
	R ±0.1/±.004	S ±0.3/ ±0.12	T1 +0.1/ +.004 -0.0/ -.000	T2 THREAD		A +0.00/ +.000 -0.15/ -.006	H THREAD CLASS 2A	K ±0.2/ ±.008	L ±0.3/ ±0.12	M +0.4/ +.016 -0.0/ -.000
				METRIC	UNC					
10SL	18.2/ <i>0.717</i>	25.4/ <i>1.000</i>	3.2/ <i>0.126</i>	M4	8-32UNC	18.2/ <i>0.717</i>	5/8-24 UNEF	2.8/ <i>0.110</i>	27.6/ <i>1.087</i>	14.2/ <i>0.559</i>
14S	23.0/ <i>0.906</i>	30.0/ <i>1.181</i>	3.2/ <i>0.126</i>	M4	8-32UNC	24.6/ <i>0.969</i>	3/4-20 UNEF	3.2/ <i>0.126</i>	27.6/ <i>1.087</i>	14.3/ <i>0.563</i>
16S	24.6/ <i>0.969</i>	32.5/ <i>1.280</i>	3.2/ <i>0.126</i>	M4	8-32UNC	27.4/ <i>1.079</i>	7/8-20 UNEF	3.2/ <i>0.126</i>	27.6/ <i>1.087</i>	14.0/ <i>0.551</i>
16	24.6/ <i>0.969</i>	32.5/ <i>1.280</i>	3.2/ <i>0.126</i>	M4	8-32UNC	27.4/ <i>1.079</i>	7/8-20 UNEF	3.2/ <i>0.126</i>	33.8/ <i>1.331</i>	19.0/ <i>0.748</i>
18	27.0/ <i>1.063</i>	35.0/ <i>1.378</i>	3.2/ <i>0.126</i>	M4	8-32UNC	30.8/ <i>1.213</i>	1-20 UNEF	4.0/ <i>0.157</i>	33.8/ <i>1.331</i>	19.1/ <i>0.752</i>
20	29.4/ <i>1.157</i>	38.0/ <i>1.496</i>	3.2/ <i>0.126</i>	M4	8-32UNC	34.2/ <i>1.346</i>	1 1/8-18 UNEF	4.0/ <i>0.157</i>	33.8/ <i>1.331</i>	19.1/ <i>0.752</i>
22	31.8/ <i>1.252</i>	41.0/ <i>1.614</i>	3.2/ <i>0.126</i>	M4	8-32UNC	37.4/ <i>1.472</i>	1 1/4-18 UNEF	4.0/ <i>0.157</i>	33.8/ <i>1.331</i>	19.0/ <i>0.748</i>
24	34.9/ <i>1.374</i>	44.5/ <i>1.752</i>	3.7/ <i>0.146</i>	M4	10-24UNC	40.9/ <i>1.610</i>	1 3/8-18 UNEF	4.0/ <i>0.157</i>	35.8/ <i>1.409</i>	20.6/ <i>0.811</i>
28	39.7/ <i>1.563</i>	50.8/ <i>2.000</i>	3.7/ <i>0.146</i>	M5	10-24UNC	46.7/ <i>1.839</i>	1 5/8-18 UNEF	4.0/ <i>0.157</i>	35.8/ <i>1.409</i>	20.6/ <i>0.811</i>
32	44.5/ <i>1.752</i>	57.0/ <i>2.244</i>	4.3/ <i>0.169</i>	M5	1/4-20UNC	53.4/ <i>2.102</i>	1 7/8-16 UN	4.0/ <i>0.157</i>	37.3/ <i>1.469</i>	22.2/ <i>0.874</i>
36	49.2/ <i>1.937</i>	63.5/ <i>2.500</i>	4.3/ <i>0.169</i>	M5	1/4-20UNC	59.6/ <i>2.346</i>	2 1/16-16 UN	4.0/ <i>0.157</i>	37.3/ <i>1.469</i>	22.2/ <i>0.874</i>
40	55.5/ <i>2.185</i>	69.9/ <i>2.752</i>	4.3/ <i>0.169</i>	M5	1/4-20UNC	65.5/ <i>2.579</i>	2 5/16-16 UNS	4.0/ <i>0.157</i>	37.3/ <i>1.469</i>	22.2/ <i>0.874</i>

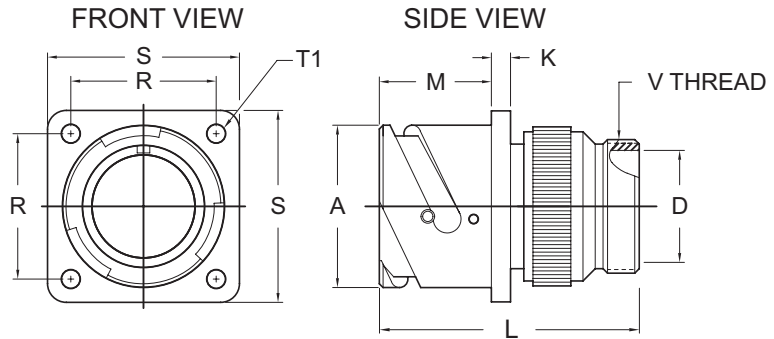
DIMENSIONS IN ITALIC ARE INCHES.

00A*/00R*



MOUNTING HOLE CODES

CODE	MOUNTING HOLE TYPE
None	Thru holes
FF	Metric thread
UN	UNC thread
FS	Thru holes W/ Metric C'Sink (X=90°)
FSM	Thru holes W/ UN C'Sink (X=82°)



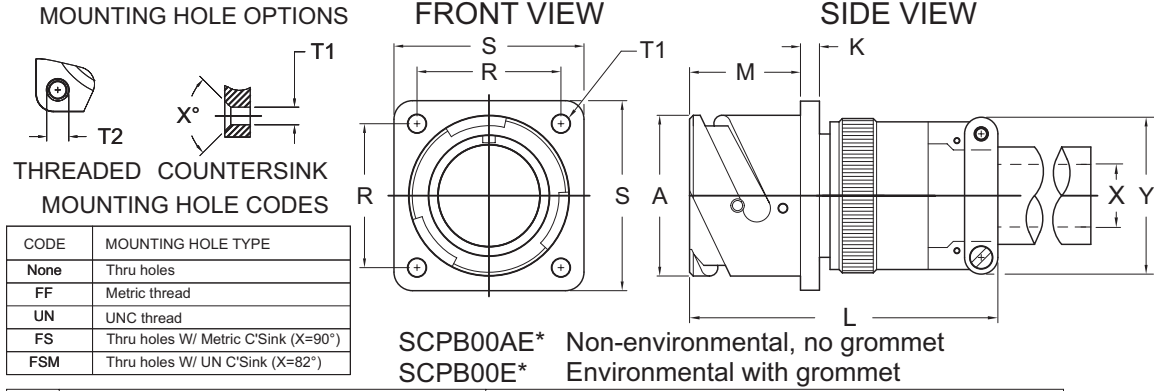
SCPB00A* Non-environmental, no grommet
SCPB00R* Environmental with grommet

SHELL SIZE	FRONT VIEW				SIDE VIEW						
	R ±0.1/ ±0.04	S ±0.3/ ±0.12	T1 +0.1/ +.004 -0.0/ -.000	T2 THREAD		A +0.00/ +.000 -0.15/ -.006	D MIN.	K ±0.2/ ±.008	L MAX.	M +0.4/ +.016 -0.0/ -.000	V THREAD CLASS 2A
				METRIC	UNC						
10SL	18.2/ <i>0.717</i>	25.4/ <i>1.000</i>	3.2/ <i>0.126</i>	M4	8-32UNC	18.2/ <i>0.717</i>	8.2/ <i>0.323</i>	2.8/ <i>0.110</i>	43/ <i>1.693</i>	14.2/ <i>0.559</i>	5/8-24 UNEF
14S	23.0/ <i>0.906</i>	30.0/ <i>1.181</i>	3.2/ <i>0.126</i>	M4	8-32UNC	24.6/ <i>0.969</i>	11.1/ <i>0.437</i>	3.2/ <i>0.126</i>	47/ <i>1.850</i>	14.3/ <i>0.563</i>	3/4-20 UNEF
16S	24.6/ <i>0.969</i>	32.5/ <i>1.280</i>	3.2/ <i>0.126</i>	M4	8-32UNC	27.4/ <i>1.079</i>	14.3/ <i>0.563</i>	3.2/ <i>0.126</i>	47/ <i>1.850</i>	14.0/ <i>0.551</i>	7/8-20 UNEF
16	24.6/ <i>0.969</i>	32.5/ <i>1.280</i>	3.2/ <i>0.126</i>	M4	8-32UNC	27.4/ <i>1.079</i>	14.3/ <i>0.563</i>	3.2/ <i>0.126</i>	58/ <i>2.283</i>	19.0/ <i>0.748</i>	7/8-20 UNEF
18	27.0/ <i>1.063</i>	35.0/ <i>1.378</i>	3.2/ <i>0.126</i>	M4	8-32UNC	30.8/ <i>1.213</i>	16.7/ <i>0.657</i>	4.0/ <i>0.157</i>	58/ <i>2.283</i>	19.1/ <i>0.752</i>	1-20 UNEF
20	29.4/ <i>1.157</i>	38.0/ <i>1.496</i>	3.2/ <i>0.126</i>	M4	8-32UNC	34.2/ <i>1.346</i>	19.8/ <i>0.780</i>	4.0/ <i>0.157</i>	58/ <i>2.283</i>	19.1/ <i>0.752</i>	1 3/16-18 UNEF
22	31.8/ <i>1.252</i>	41.0/ <i>1.614</i>	3.2/ <i>0.126</i>	M4	8-32UNC	37.4/ <i>1.472</i>	19.8/ <i>0.780</i>	4.0/ <i>0.157</i>	59/ <i>2.323</i>	19.0/ <i>0.748</i>	1 3/16-18 UNEF
24	34.9/ <i>1.374</i>	44.5/ <i>1.752</i>	3.7/ <i>0.146</i>	M4	10-24UNC	40.9/ <i>1.610</i>	25.4/ <i>1.000</i>	4.0/ <i>0.157</i>	61/ <i>2.402</i>	20.6/ <i>0.811</i>	1 7/16-18 UNEF
28	39.7/ <i>1.563</i>	50.8/ <i>2.000</i>	3.7/ <i>0.146</i>	M5	10-24UNC	46.7/ <i>1.839</i>	27.0/ <i>1.063</i>	4.0/ <i>0.157</i>	67/ <i>2.638</i>	20.6/ <i>0.811</i>	1 7/16-18 UNEF
32	44.5/ <i>1.752</i>	57.0/ <i>2.244</i>	4.3/ <i>0.169</i>	M5	1/4-20UNC	53.4/ <i>2.102</i>	32.5/ <i>1.280</i>	4.0/ <i>0.157</i>	71/ <i>2.795</i>	22.2/ <i>0.874</i>	1 3/4-18 UNS
36	49.2/ <i>1.937</i>	63.5/ <i>2.500</i>	4.3/ <i>0.169</i>	M5	1/4-20UNC	59.6/ <i>2.346</i>	35.7/ <i>1.406</i>	4.0/ <i>0.157</i>	72/ <i>2.835</i>	22.2/ <i>0.874</i>	2-18 UNS
40	55.5/ <i>2.185</i>	69.9/ <i>2.752</i>	4.3/ <i>0.169</i>	M5	1/4-20UNC	65.5/ <i>2.579</i>	45.0/ <i>1.772</i>	4.0/ <i>0.157</i>	86/ <i>3.386</i>	22.2/ <i>0.874</i>	2 1/4-16 UN

DIMENSIONS IN ITALIC ARE INCHES.

WALL MOUNT RECEPTACLE

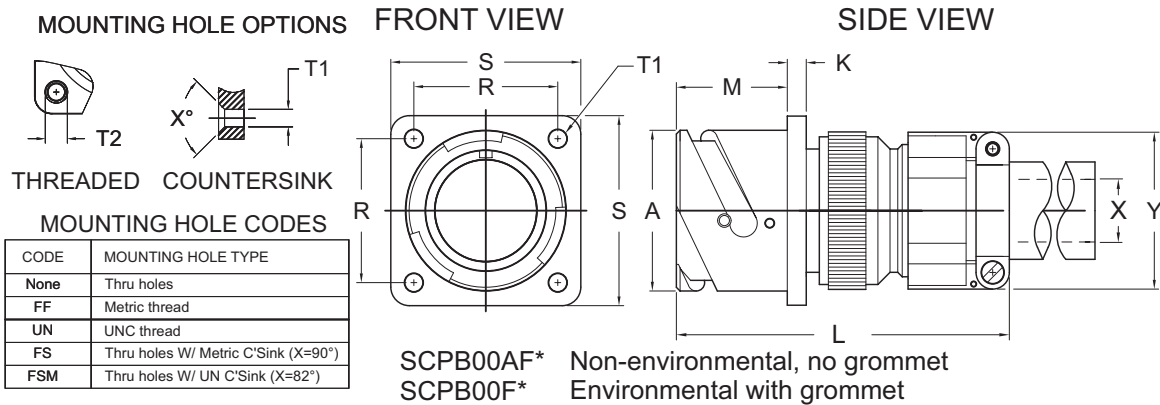
00AE*/00E*



SHELL SIZE	FRONT VIEW				SIDE VIEW						
	R ±0.1/±.004	S ±0.3/±.012	T1 +0.1/+0.004 -0.0/-0.000	T2		A +0.00/+0.000 -0.15/-0.006	K ±0.2±.008	L MAX	M +0.4/+0.016 -0.0/-0.000	X MIN	Y MAX
				METRIC	UNC						
10SL	18.2/ <i>0.717</i>	25.4/ <i>1.000</i>	3.2/ <i>0.126</i>	M4	8-32UNC	18.2/ <i>0.717</i>	2.8/ <i>0.110</i>	64/ <i>2.520</i>	14.2/ <i>0.559</i>	6.5/ <i>0.256</i>	22.7/ <i>0.894</i>
14S	23.0/ <i>0.906</i>	30.0/ <i>1.181</i>	3.2/ <i>0.126</i>	M4	8-32UNC	24.6/ <i>0.969</i>	3.2/ <i>0.126</i>	69/ <i>2.717</i>	14.3/ <i>0.563</i>	9.0/ <i>0.354</i>	27.5/ <i>1.083</i>
16S	24.6/ <i>0.969</i>	32.5/ <i>1.280</i>	3.2/ <i>0.126</i>	M4	8-32UNC	27.4/ <i>1.079</i>	3.2/ <i>0.126</i>	71/ <i>2.795</i>	14.0/ <i>0.551</i>	11.0/ <i>0.433</i>	30.0/ <i>1.181</i>
16	24.6/ <i>0.969</i>	32.5/ <i>1.280</i>	3.2/ <i>0.126</i>	M4	8-32UNC	27.4/ <i>1.079</i>	3.2/ <i>0.126</i>	82/ <i>3.228</i>	19.0/ <i>0.748</i>	11.0/ <i>0.433</i>	30.0/ <i>1.181</i>
18	27.0/ <i>1.063</i>	35.0/ <i>1.378</i>	3.2/ <i>0.126</i>	M4	8-32UNC	30.8/ <i>1.213</i>	4.0/ <i>0.157</i>	82/ <i>3.228</i>	19.1/ <i>0.752</i>	14.2/ <i>0.559</i>	32.2/ <i>1.268</i>
20	29.4/ <i>1.157</i>	38.0/ <i>1.496</i>	3.2/ <i>0.126</i>	M4	8-32UNC	34.2/ <i>1.346</i>	4.0/ <i>0.157</i>	82/ <i>3.228</i>	19.1/ <i>0.752</i>	15.8/ <i>0.622</i>	37.5/ <i>1.476</i>
22	31.8/ <i>1.252</i>	41.0/ <i>1.614</i>	3.2/ <i>0.126</i>	M4	8-32UNC	37.4/ <i>1.472</i>	4.0/ <i>0.157</i>	83/ <i>3.268</i>	19.0/ <i>0.748</i>	15.8/ <i>0.622</i>	37.5/ <i>1.476</i>
24	34.9/ <i>1.374</i>	44.5/ <i>1.752</i>	3.7/ <i>0.146</i>	M4	10-24UNC	40.9/ <i>1.610</i>	4.0/ <i>0.157</i>	87/ <i>3.425</i>	20.6/ <i>0.811</i>	21.4/ <i>0.843</i>	43.3/ <i>1.705</i>
28	39.7/ <i>1.563</i>	50.8/ <i>2.000</i>	3.7/ <i>0.146</i>	M5	10-24UNC	46.7/ <i>1.839</i>	4.0/ <i>0.157</i>	93/ <i>3.661</i>	20.6/ <i>0.811</i>	21.4/ <i>0.843</i>	43.3/ <i>1.705</i>
32	44.5/ <i>1.752</i>	57.0/ <i>2.244</i>	4.3/ <i>0.169</i>	M5	1/4-20UNC	53.4/ <i>2.102</i>	4.0/ <i>0.157</i>	99/ <i>3.898</i>	22.2/ <i>0.874</i>	26.7/ <i>1.051</i>	51.7/ <i>2.035</i>
36	49.2/ <i>1.937</i>	63.5/ <i>2.500</i>	4.3/ <i>0.169</i>	M5	1/4-20UNC	59.6/ <i>2.346</i>	4.0/ <i>0.157</i>	100/ <i>3.937</i>	22.2/ <i>0.874</i>	31.7/ <i>1.248</i>	58.0/ <i>2.283</i>
40	55.5/ <i>2.185</i>	69.9/ <i>2.752</i>	4.3/ <i>0.169</i>	M5	1/4-20UNC	65.5/ <i>2.579</i>	4.0/ <i>0.157</i>	128/ <i>5.039</i>	22.2/ <i>0.874</i>	34.9/ <i>1.374</i>	65.5/ <i>2.579</i>

DIMENSIONS IN ITALIC ARE INCHES.

00AF*/00F*

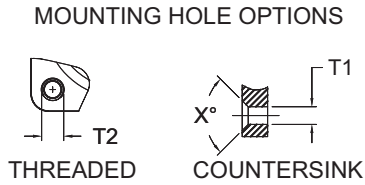


SHELL SIZE	FRONT VIEW				SIDE VIEW						
	R ±0.1/±.004	S ±0.3/±.012	T1 +0.1/+0.004 -0.0/-0.000	T2		A +0.00/+0.000 -0.15/-0.006	K ±0.2/±.008	L MAX	M +0.4/+0.016 -0.0/-0.000	X MIN	Y MAX
				METRIC	UNC						
10SL	18.2/ <i>0.717</i>	25.4/ <i>1.000</i>	3.2/ <i>0.126</i>	M4	8-32UNC	18.2/ <i>0.717</i>	2.8/ <i>0.110</i>	64/ <i>2.520</i>	14.2/ <i>0.559</i>	6.5/ <i>0.256</i>	22.7/ <i>0.894</i>
14S	23.0/ <i>0.906</i>	30.0/ <i>1.181</i>	3.2/ <i>0.126</i>	M4	8-32UNC	24.6/ <i>0.969</i>	3.2/ <i>0.126</i>	69/ <i>2.717</i>	14.3/ <i>0.563</i>	9.0/ <i>0.354</i>	27.5/ <i>1.083</i>
16S	24.6/ <i>0.969</i>	32.5/ <i>1.280</i>	3.2/ <i>0.126</i>	M4	8-32UNC	27.4/ <i>1.079</i>	3.2/ <i>0.126</i>	71/ <i>2.795</i>	14.0/ <i>0.551</i>	11.0/ <i>0.433</i>	30.0/ <i>1.181</i>
16	24.6/ <i>0.969</i>	32.5/ <i>1.280</i>	3.2/ <i>0.126</i>	M4	8-32UNC	27.4/ <i>1.079</i>	3.2/ <i>0.126</i>	82/ <i>3.228</i>	19.0/ <i>0.748</i>	11.0/ <i>0.433</i>	30.0/ <i>1.181</i>
18	27.0/ <i>1.063</i>	35.0/ <i>1.378</i>	3.2/ <i>0.126</i>	M4	8-32UNC	30.8/ <i>1.213</i>	4.0/ <i>0.157</i>	82/ <i>3.228</i>	19.1/ <i>0.752</i>	14.2/ <i>0.559</i>	32.2/ <i>1.268</i>
20	29.4/ <i>1.157</i>	38.0/ <i>1.496</i>	3.2/ <i>0.126</i>	M4	8-32UNC	34.2/ <i>1.346</i>	4.0/ <i>0.157</i>	82/ <i>3.228</i>	19.1/ <i>0.752</i>	15.8/ <i>0.622</i>	37.5/ <i>1.476</i>
22	31.8/ <i>1.252</i>	41.0/ <i>1.614</i>	3.2/ <i>0.126</i>	M4	8-32UNC	37.4/ <i>1.472</i>	4.0/ <i>0.157</i>	83/ <i>3.268</i>	19.0/ <i>0.748</i>	15.8/ <i>0.622</i>	37.5/ <i>1.476</i>
24	34.9/ <i>1.374</i>	44.5/ <i>1.752</i>	3.7/ <i>0.146</i>	M4	10-24UNC	40.9/ <i>1.610</i>	4.0/ <i>0.157</i>	87/ <i>3.425</i>	20.6/ <i>0.811</i>	21.4/ <i>0.843</i>	43.3/ <i>1.705</i>
28	39.7/ <i>1.563</i>	50.8/ <i>2.000</i>	3.7/ <i>0.146</i>	M5	10-24UNC	46.7/ <i>1.839</i>	4.0/ <i>0.157</i>	93/ <i>3.661</i>	20.6/ <i>0.811</i>	21.4/ <i>0.843</i>	43.3/ <i>1.705</i>
32	44.5/ <i>1.752</i>	57.0/ <i>2.244</i>	4.3/ <i>0.169</i>	M5	1/4-20UNC	53.4/ <i>2.102</i>	4.0/ <i>0.157</i>	99/ <i>3.898</i>	22.2/ <i>0.874</i>	26.7/ <i>1.051</i>	51.7/ <i>2.035</i>
36	49.2/ <i>1.937</i>	63.5/ <i>2.500</i>	4.3/ <i>0.169</i>	M5	1/4-20UNC	59.6/ <i>2.346</i>	4.0/ <i>0.157</i>	100/ <i>3.937</i>	22.2/ <i>0.874</i>	31.7/ <i>1.248</i>	58.0/ <i>2.283</i>
40	55.5/ <i>2.185</i>	69.9/ <i>2.752</i>	4.3/ <i>0.169</i>	M5	1/4-20UNC	65.5/ <i>2.579</i>	4.0/ <i>0.157</i>	128/ <i>5.039</i>	22.2/ <i>0.874</i>	34.9/ <i>1.374</i>	65.5/ <i>2.579</i>

DIMENSIONS IN ITALIC ARE INCHES.

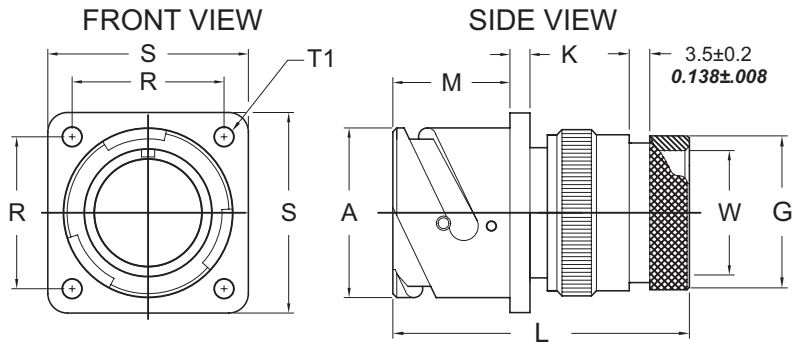
WALL MOUNT RECEPTACLE

00AG*/00G*



MOUNTING HOLE CODES

CODE	MOUNTING HOLE TYPE
None	Thru holes
FF	Metric thread
UN	UNC thread
FS	Thru holes W/ Metric C'Sink (X=90°)
FSM	Thru holes W/ UN C'Sink (X=82°)

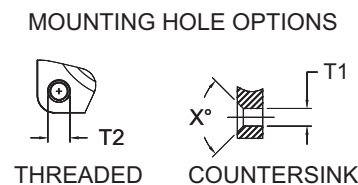


SCPB00AG* Environmental, no grommet
SCPB00G* Environmental with grommet

SHELL SIZE	FRONT VIEW					SIDE VIEW					
	R ±0.1/±0.004	S ±0.3/±0.012	T1 +0.1/+0.004 -0.0/-0.000	T2 THREAD		A +0.00/+0.000 -0.15/-0.006	G ±0.2/±0.008	K ±0.2/±0.008	L MAX	M +0.4/+0.016 -0.0/-0.000	W MIN
				METRIC	UNC						
10SL	18.2/0.717	25.4/1.000	3.2/0.126	M4	8-32UNC	18.2/0.717	15.5/0.610	2.8/0.110	48/1.890	14.2/0.559	8.5/0.335
14S	23.0/0.906	30.0/1.181	3.2/0.126	M4	8-32UNC	24.6/0.969	19.1/0.752	3.2/0.126	48/1.890	14.3/0.563	12.0/0.472
16S	24.6/0.969	32.5/1.280	3.2/0.126	M4	8-32UNC	27.4/1.079	23.9/0.941	3.2/0.126	48/1.890	14.0/0.551	14.5/0.571
16	24.6/0.969	32.5/1.280	3.2/0.126	M4	8-32UNC	27.4/1.079	23.9/0.941	3.2/0.126	60/2.362	19.0/0.748	14.5/0.571
18	27.0/1.063	35.0/1.378	3.2/0.126	M4	8-32UNC	30.8/1.213	23.9/0.941	4.0/0.157	60/2.362	19.1/0.752	17.5/0.689
20	29.4/1.157	38.0/1.496	3.2/0.126	M4	8-32UNC	34.2/1.346	29.6/1.165	4.0/0.157	65/2.559	19.1/0.752	19.5/0.768
22	31.8/1.252	41.0/1.614	3.2/0.126	M4	8-32UNC	37.4/1.472	29.6/1.165	4.0/0.157	65/2.559	19.0/0.748	22.0/0.866
24	34.9/1.374	44.5/1.752	3.7/0.146	M4	10-24UNC	40.9/1.610	37.8/1.488	4.0/0.157	65/2.559	20.6/0.811	25.0/0.984
28	39.7/1.563	50.8/2.000	3.7/0.146	M5	10-24UNC	46.7/1.839	37.8/1.488	4.0/0.157	65/2.559	20.6/0.811	29.0/1.142
32	44.5/1.752	57.0/2.244	4.3/0.169	M5	1/4-20UNC	53.4/2.102	47.8/1.882	4.0/0.157	70/2.756	22.2/0.874	34.0/1.339
36	49.2/1.937	63.5/2.500	4.3/0.169	M5	1/4-20UNC	59.6/2.346	47.8/1.882	4.0/0.157	75/2.953	22.2/0.874	38.5/1.516
40	55.5/2.185	69.9/2.752	4.3/0.169	M5	1/4-20UNC	65.5/2.579	52.4/2.063	4.0/0.157	77/3.031	22.2/0.874	48.0/1.890

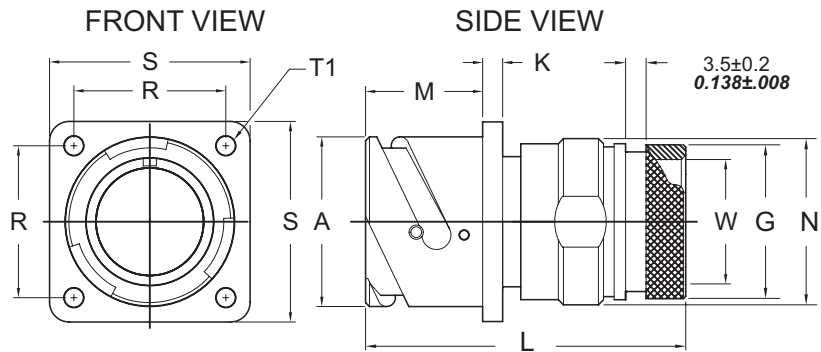
DIMENSIONS IN ITALIC ARE INCHES.

00AG2G*/00G2G*



MOUNTING HOLE CODES

CODE	MOUNTING HOLE TYPE
None	Thru holes
FF	Metric thread
UN	UNC thread
FS	Thru holes W/ Metric C'Sink (X=90°)
FSM	Thru holes W/ UN C'Sink (X=82°)



SCPB00AG2G* Environmental, no grommet
SCPB00G2G* Environmental with grommet

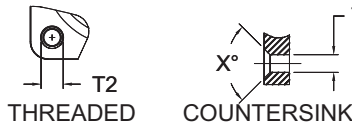
SHELL SIZE	FRONT VIEW					SIDE VIEW						
	R ±0.1/±0.004	S ±0.3/±0.012	T1 +0.1/+0.004 -0.0/-0.000	T2 THREAD		A +0.00/+0.000 -0.15/-0.006	G ±0.2/±0.008	K ±0.2/±0.008	L APRX	M +0.4/+0.016 -0.0/-0.000	N MAX	W MIN
				METRIC	UNC							
10SL	18.2/0.717	25.4/1.000	3.2/0.126	M4	8-32UNC	18.2/0.717	15.5/0.610	2.8/0.110	49.8/1.961	14.2/0.559	22/0.866	8.5/0.335
14S	23.0/0.906	30.0/1.181	3.2/0.126	M4	8-32UNC	24.6/0.969	19.1/0.752	3.2/0.126	49.8/1.961	14.3/0.563	25/0.984	12.0/0.472
16S	24.6/0.969	32.5/1.280	3.2/0.126	M4	8-32UNC	27.4/1.079	23.9/0.941	3.2/0.126	50.6/1.992	14.0/0.551	28/1.102	14.5/0.571
16	24.6/0.969	32.5/1.280	3.2/0.126	M4	8-32UNC	27.4/1.079	23.9/0.941	3.2/0.126	60.1/2.366	19.0/0.748	28/1.102	14.5/0.571
18	27.0/1.063	35.0/1.378	3.2/0.126	M4	8-32UNC	30.8/1.213	23.9/0.941	4.0/0.157	59.6/2.346	19.1/0.752	31/1.220	17.5/0.689
20	29.4/1.157	38.0/1.496	3.2/0.126	M4	8-32UNC	34.2/1.346	29.6/1.165	4.0/0.157	60.3/2.374	19.1/0.752	35/1.378	19.5/0.768
22	31.8/1.252	41.0/1.614	3.2/0.126	M4	8-32UNC	37.4/1.472	29.6/1.165	4.0/0.157	60.3/2.374	19.0/0.748	38/1.496	22.0/0.866
24	34.9/1.374	44.5/1.752	3.7/0.146	M4	10-24UNC	40.9/1.610	37.8/1.488	4.0/0.157	62.9/2.476	20.6/0.811	41/1.614	25.0/0.984
28	39.7/1.563	50.8/2.000	3.7/0.146	M5	10-24UNC	46.7/1.839	37.8/1.488	4.0/0.157	64.7/2.547	20.6/0.811	48/1.890	29.0/1.142
32	44.5/1.752	57.0/2.244	4.3/0.169	M5	1/4-20UNC	53.4/2.102	47.8/1.882	4.0/0.157	67.0/2.638	22.2/0.874	54/2.126	34.0/1.339
36	49.2/1.937	63.5/2.500	4.3/0.169	M5	1/4-20UNC	59.6/2.346	47.8/1.882	4.0/0.157	67.0/2.638	22.2/0.874	61/2.402	38.5/1.516
40	55.5/2.185	69.9/2.752	4.3/0.169	M5	1/4-20UNC	65.5/2.579	52.4/2.063	4.0/0.157	67.3/2.650	22.2/0.874	68/2.677	48.0/1.890

DIMENSIONS IN ITALIC ARE INCHES.

WALL MOUNT RECEPTACLE

00APT*

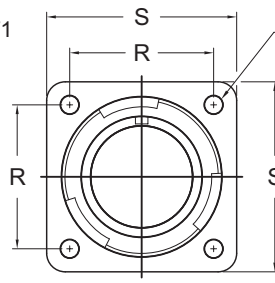
MOUNTING HOLE OPTIONS



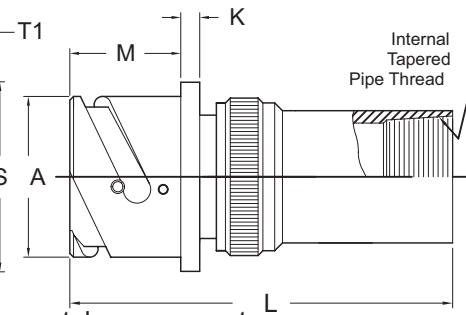
MOUNTING HOLE CODES

CODE	MOUNTING HOLE TYPE
None	Thru holes
FF	Metric thread
UN	UNC thread
FS	Thru holes W/ Metric C'Sink (X=90°)
FSM	Thru holes W/ UN C'Sink (X=82°)

FRONT VIEW



SIDE VIEW



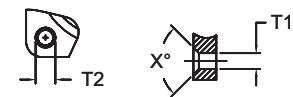
SCPB00APT* Environmental, no grommet

SHELL SIZE	FRONT VIEW				SIDE VIEW						
	R	S	T1	T2 THREAD		A	K	L	M	CODE	PIPE THREAD
	±0.1/ ±.004	±0.3/ ±.012	+0.1/+.004 -0.0/-.000	METRIC	UNC	+0.00/+.000 -0.15/-.006	±0.2/ ±.008	MAX	+0.4/+.016 -0.0/-.000		
10SL	18.2/ <i>0.717</i>	25.4/ <i>1.000</i>	3.2/ <i>0.126</i>	M4	8-32UNC	18.2/ <i>0.717</i>	2.8/ <i>0.110</i>	60/ <i>2.362</i>	14.2/ <i>0.559</i>	01	1/8
14S	23.0/ <i>0.906</i>	30.0/ <i>1.181</i>	3.2/ <i>0.126</i>	M4	8-32UNC	24.6/ <i>0.969</i>	3.2/ <i>0.126</i>	60/ <i>2.362</i>	14.3/ <i>0.563</i>	02	1/4
16S	24.6/ <i>0.969</i>	32.5/ <i>1.280</i>	3.2/ <i>0.126</i>	M4	8-32UNC	27.4/ <i>1.079</i>	3.2/ <i>0.126</i>	60/ <i>2.362</i>	14.0/ <i>0.551</i>	03	3/8
16	24.6/ <i>0.969</i>	32.5/ <i>1.280</i>	3.2/ <i>0.126</i>	M4	8-32UNC	27.4/ <i>1.079</i>	3.2/ <i>0.126</i>	70/ <i>2.756</i>	19.0/ <i>0.748</i>	04	1/2
18	27.0/ <i>1.063</i>	35.0/ <i>1.378</i>	3.2/ <i>0.126</i>	M4	8-32UNC	30.8/ <i>1.213</i>	4.0/ <i>0.157</i>	70/ <i>2.756</i>	19.1/ <i>0.752</i>	05	3/4
20	29.4/ <i>1.157</i>	38.0/ <i>1.496</i>	3.2/ <i>0.126</i>	M4	8-32UNC	34.2/ <i>1.346</i>	4.0/ <i>0.157</i>	70/ <i>2.756</i>	19.1/ <i>0.752</i>	06	1
22	31.8/ <i>1.252</i>	41.0/ <i>1.614</i>	3.2/ <i>0.126</i>	M4	8-32UNC	37.4/ <i>1.472</i>	4.0/ <i>0.157</i>	70/ <i>2.756</i>	19.0/ <i>0.748</i>	07	1 1/4
24	34.9/ <i>1.374</i>	44.5/ <i>1.752</i>	3.7/ <i>0.146</i>	M4	10-24UNC	40.9/ <i>1.610</i>	4.0/ <i>0.157</i>	80/ <i>3.150</i>	20.6/ <i>0.811</i>	08	1 1/2
28	39.7/ <i>1.563</i>	50.8/ <i>2.000</i>	3.7/ <i>0.146</i>	M5	10-24UNC	46.7/ <i>1.839</i>	4.0/ <i>0.157</i>	80/ <i>3.150</i>	20.6/ <i>0.811</i>	09	2
32	44.5/ <i>1.752</i>	57.0/ <i>2.244</i>	4.3/ <i>0.169</i>	M5	1/4-20UNC	53.4/ <i>2.102</i>	4.0/ <i>0.157</i>	80/ <i>3.150</i>	22.2/ <i>0.874</i>	10	2 1/2
36	49.2/ <i>1.937</i>	63.5/ <i>2.500</i>	4.3/ <i>0.169</i>	M5	1/4-20UNC	59.6/ <i>2.346</i>	4.0/ <i>0.157</i>	95/ <i>3.740</i>	22.2/ <i>0.874</i>		
40	55.5/ <i>2.185</i>	69.9/ <i>2.752</i>	4.3/ <i>0.169</i>	M5	1/4-20UNC	65.5/ <i>2.579</i>	4.0/ <i>0.157</i>	95/ <i>3.740</i>	22.2/ <i>0.874</i>		

DIMENSIONS IN ITALIC ARE INCHES.

00ARK*/00RK*

MOUNTING HOLE OPTIONS

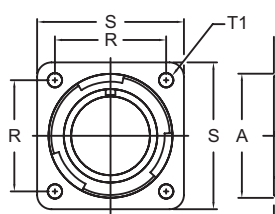


THREADED COUNTERSINK

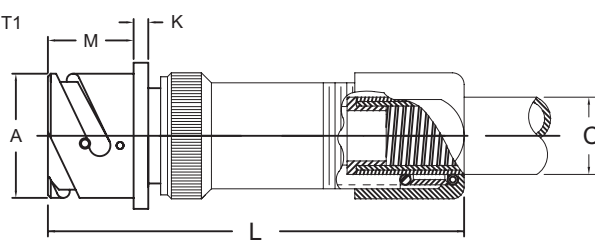
MOUNTING HOLE CODES

CODE	MOUNTING HOLE TYPE
None	Thru holes
FF	Metric thread
UN	UNC thread
FS	Thru holes W/ Metric C'Sink (X=90°)
FSM	Thru holes W/ UN C'Sink (X=82°)

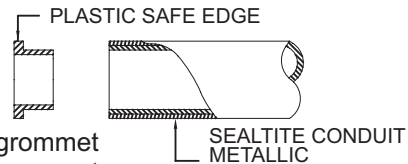
FRONT VIEW



SIDE VIEW



SCPB00ARK* Environmental less grommet
SCPB00RK* Environmental with grommet



SHELL SIZE	FRONT VIEW				SIDE VIEW						
	R	S	T1	T2 THREAD		A	K	L	M	CODE (***)	AVAILABLE CONDUIT SIZES C
	±0.1/ ±.004	±0.3/ ±.012	+0.1/+.004 -0.0/-.000	METRIC	UNC	+0.00/+.000 -0.15/-.006	±0.2/ ±.008		+0.4/+.016 -0.0/-.000		
10SL	18.2/ <i>0.717</i>	25.4/ <i>1.000</i>	3.2/ <i>0.126</i>	M4	8-32UNC	18.2/ <i>0.717</i>	2.8/ <i>0.110</i>		14.2/ <i>0.559</i>	(038)	9.52/ 3/8
14S	23.0/ <i>0.906</i>	30.0/ <i>1.181</i>	3.2/ <i>0.126</i>	M4	8-32UNC	24.6/ <i>0.969</i>	3.2/ <i>0.126</i>		14.3/ <i>0.563</i>	(050)	12.70/ 1/2
16S	24.6/ <i>0.969</i>	32.5/ <i>1.280</i>	3.2/ <i>0.126</i>	M4	8-32UNC	27.4/ <i>1.079</i>	3.2/ <i>0.126</i>		14.0/ <i>0.551</i>	(075)	19.05/ 3/4
16	24.6/ <i>0.969</i>	32.5/ <i>1.280</i>	3.2/ <i>0.126</i>	M4	8-32UNC	27.4/ <i>1.079</i>	3.2/ <i>0.126</i>	* Dimension L is dependent on the backshell used, the cable range and the fitting used. Consult factory.	19.0/ <i>0.748</i>	(100)	25.40/ 1
18	27.0/ <i>1.063</i>	35.0/ <i>1.378</i>	3.2/ <i>0.126</i>	M4	8-32UNC	30.8/ <i>1.213</i>	4.0/ <i>0.157</i>		19.1/ <i>0.752</i>	(125)	31.75/ 1 1/4
20	29.4/ <i>1.157</i>	38.0/ <i>1.496</i>	3.2/ <i>0.126</i>	M4	8-32UNC	34.2/ <i>1.346</i>	4.0/ <i>0.157</i>		19.1/ <i>0.752</i>	(150)	38.10/ 1 1/2
22	31.8/ <i>1.252</i>	41.0/ <i>1.614</i>	3.2/ <i>0.126</i>	M4	8-32UNC	37.4/ <i>1.472</i>	4.0/ <i>0.157</i>		19.0/ <i>0.748</i>	(200)	50.80/ 2
24	34.9/ <i>1.374</i>	44.5/ <i>1.752</i>	3.7/ <i>0.146</i>	M4	10-24UNC	40.9/ <i>1.610</i>	4.0/ <i>0.157</i>		20.6/ <i>0.811</i>		
28	39.7/ <i>1.563</i>	50.8/ <i>2.000</i>	3.7/ <i>0.146</i>	M5	10-24UNC	46.7/ <i>1.839</i>	4.0/ <i>0.157</i>		20.6/ <i>0.811</i>		
32	44.5/ <i>1.752</i>	57.0/ <i>2.244</i>	4.3/ <i>0.169</i>	M5	1/4-20UNC	53.4/ <i>2.102</i>	4.0/ <i>0.157</i>		22.2/ <i>0.874</i>		
36	49.2/ <i>1.937</i>	63.5/ <i>2.500</i>	4.3/ <i>0.169</i>	M5	1/4-20UNC	59.6/ <i>2.346</i>	4.0/ <i>0.157</i>		22.2/ <i>0.874</i>		
40	55.5/ <i>2.185</i>	69.9/ <i>2.752</i>	4.3/ <i>0.169</i>	M5	1/4-20UNC	65.5/ <i>2.579</i>	4.0/ <i>0.157</i>		22.2/ <i>0.874</i>		

DIMENSIONS IN ITALIC ARE INCHES.

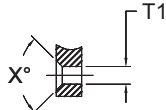
WALL MOUNT RECEPTACLE

00ARV*/00RV*

MOUNTING HOLE OPTIONS



THREADED

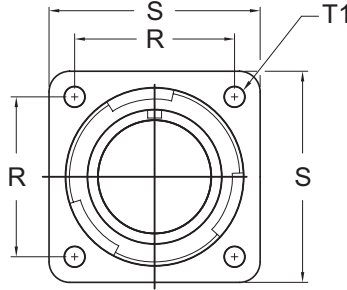


COUNTERSINK

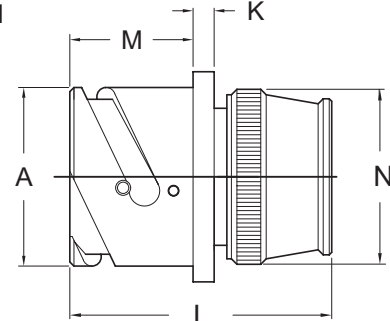
MOUNTING HOLE CODES

CODE	MOUNTING HOLE TYPE
None	Thru holes
FF	Metric thread
UN	UNC thread
FS	Thru holes W/ Metric C'Sink (X=90°)
FSM	Thru holes W/ UN C'Sink (X=82°)

FRONT VIEW



SIDE VIEW



SCPB00ARV* Non-environmental, no grommet
SCPB00RV* Environmental with grommet

SHELL SIZE	FRONT VIEW					SIDE VIEW				
	R ±0.1/±.004	S ±0.3/±.012	T1 +0.1/+0.004 -0.0/-0.000	T2 THREAD		A +0.00/+0.000 -0.15/-0.006	K ±0.2±.008	L MAX	M +0.4/+0.016 -0.0/-0.000	N MAX
				METRIC	UNC					
10SL	18.2/ <i>0.717</i>	25.4/ <i>1.000</i>	3.2/ <i>0.126</i>	M4	8-32UNC	18.2/ <i>0.717</i>	2.8/ <i>0.110</i>	40/ <i>1.575</i>	14.2/ <i>0.559</i>	20.0/ <i>0.787</i>
14S	23.0/ <i>0.906</i>	30.0/ <i>1.181</i>	3.2/ <i>0.126</i>	M4	8-32UNC	24.6/ <i>0.969</i>	3.2/ <i>0.126</i>	40/ <i>1.575</i>	14.3/ <i>0.563</i>	24.0/ <i>0.945</i>
16S	24.6/ <i>0.969</i>	32.5/ <i>1.280</i>	3.2/ <i>0.126</i>	M4	8-32UNC	27.4/ <i>1.079</i>	3.2/ <i>0.126</i>	40/ <i>1.575</i>	14.0/ <i>0.551</i>	26.0/ <i>1.024</i>
16	24.6/ <i>0.969</i>	32.5/ <i>1.280</i>	3.2/ <i>0.126</i>	M4	8-32UNC	27.4/ <i>1.079</i>	3.2/ <i>0.126</i>	56/ <i>2.205</i>	19.0/ <i>0.748</i>	26.0/ <i>1.024</i>
18	27.0/ <i>1.063</i>	35.0/ <i>1.378</i>	3.2/ <i>0.126</i>	M4	8-32UNC	30.8/ <i>1.213</i>	4.0/ <i>0.157</i>	56/ <i>2.205</i>	19.1/ <i>0.752</i>	29.5/ <i>1.161</i>
20	29.4/ <i>1.157</i>	38.0/ <i>1.496</i>	3.2/ <i>0.126</i>	M4	8-32UNC	34.2/ <i>1.346</i>	4.0/ <i>0.157</i>	57/ <i>2.244</i>	19.1/ <i>0.752</i>	33.0/ <i>1.299</i>
22	31.8/ <i>1.252</i>	41.0/ <i>1.614</i>	3.2/ <i>0.126</i>	M4	8-32UNC	37.4/ <i>1.472</i>	4.0/ <i>0.157</i>	57/ <i>2.244</i>	19.0/ <i>0.748</i>	36.0/ <i>1.417</i>
24	34.9/ <i>1.374</i>	44.5/ <i>1.752</i>	3.7/ <i>0.146</i>	M4	10-24UNC	40.9/ <i>1.610</i>	4.0/ <i>0.157</i>	59/ <i>2.323</i>	20.6/ <i>0.811</i>	40.0/ <i>1.575</i>
28	39.7/ <i>1.563</i>	50.8/ <i>2.000</i>	3.7/ <i>0.146</i>	M5	10-24UNC	46.7/ <i>1.839</i>	4.0/ <i>0.157</i>	59/ <i>2.323</i>	20.6/ <i>0.811</i>	46.0/ <i>1.811</i>
32	44.5/ <i>1.752</i>	57.0/ <i>2.244</i>	4.3/ <i>0.169</i>	M5	1/4-20UNC	53.4/ <i>2.102</i>	4.0/ <i>0.157</i>	60/ <i>2.362</i>	22.2/ <i>0.874</i>	51.5/ <i>2.028</i>
36	49.2/ <i>1.937</i>	63.5/ <i>2.500</i>	4.3/ <i>0.169</i>	M5	1/4-20UNC	59.6/ <i>2.346</i>	4.0/ <i>0.157</i>	60/ <i>2.362</i>	22.2/ <i>0.874</i>	58.0/ <i>2.283</i>
40	55.5/ <i>2.185</i>	69.9/ <i>2.752</i>	4.3/ <i>0.169</i>	M5	1/4-20UNC	65.5/ <i>2.579</i>	4.0/ <i>0.157</i>	61/ <i>2.402</i>	22.2/ <i>0.874</i>	64.5/ <i>2.539</i>

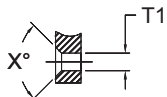
DIMENSIONS IN ITALIC ARE INCHES.

00ASB*/00SB*

MOUNTING HOLE OPTIONS



THREADED

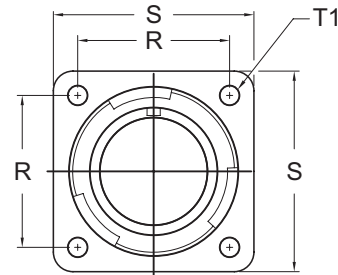


COUNTERSINK

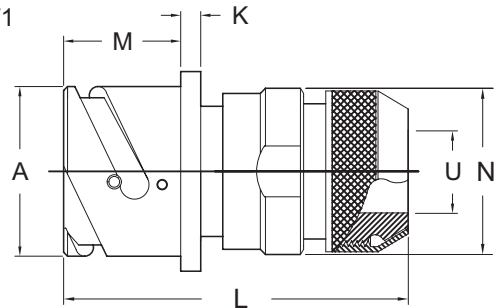
MOUNTING HOLE CODES

CODE	MOUNTING HOLE TYPE
None	Thru holes
FF	Metric thread
UN	UNC thread
FS	Thru holes W/ Metric C'Sink (X=90°)
FSM	Thru holes W/ UN C'Sink (X=82°)

FRONT VIEW



SIDE VIEW



SCPB00ASB* Environmental, no grommet
SCPB00SB* Environmental with grommet

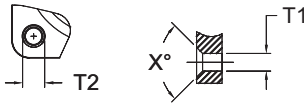
SHELL SIZE	FRONT VIEW					SIDE VIEW					
	R ±0.1/±.004	S ±0.3±.012	T1 +0.1/+0.004 -0.0/-0.000	T2 THREAD		A +0.00/+0.000 -0.15/-0.006	K ±0.2±.008	L MAX	M +0.4/+0.016 -0.0/-0.000	N MAX	U MIN
				METRIC	UNC						
10SL	18.2/ <i>0.717</i>	25.4/ <i>1.000</i>	3.2/ <i>0.126</i>	M4	8-32UNC	18.2/ <i>0.717</i>	2.8/ <i>0.110</i>	52.2/ <i>2.055</i>	14.2/ <i>0.559</i>	22/ <i>0.866</i>	8.6/ <i>0.339</i>
14S	23.0/ <i>0.906</i>	30.0/ <i>1.181</i>	3.2/ <i>0.126</i>	M4	8-32UNC	24.6/ <i>0.969</i>	3.2/ <i>0.126</i>	52.2/ <i>2.055</i>	14.3/ <i>0.563</i>	25/ <i>0.984</i>	10.6/ <i>0.417</i>
16S	24.6/ <i>0.969</i>	32.5/ <i>1.280</i>	3.2/ <i>0.126</i>	M4	8-32UNC	27.4/ <i>1.079</i>	3.2/ <i>0.126</i>	54.2/ <i>2.134</i>	14.0/ <i>0.551</i>	28/ <i>1.102</i>	13.5/ <i>0.531</i>
16	24.6/ <i>0.969</i>	32.5/ <i>1.280</i>	3.2/ <i>0.126</i>	M4	8-32UNC	27.4/ <i>1.079</i>	3.2/ <i>0.126</i>	63.3/ <i>2.492</i>	19.0/ <i>0.748</i>	28/ <i>1.102</i>	13.5/ <i>0.531</i>
18	27.0/ <i>1.063</i>	35.0/ <i>1.378</i>	3.2/ <i>0.126</i>	M4	8-32UNC	30.8/ <i>1.213</i>	4.0/ <i>0.157</i>	64.5/ <i>2.539</i>	19.1/ <i>0.752</i>	31/ <i>1.220</i>	14.6/ <i>0.575</i>
20	29.4/ <i>1.157</i>	38.0/ <i>1.496</i>	3.2/ <i>0.126</i>	M4	8-32UNC	34.2/ <i>1.346</i>	4.0/ <i>0.157</i>	64.5/ <i>2.539</i>	19.1/ <i>0.752</i>	35/ <i>1.378</i>	18.5/ <i>0.728</i>
22	31.8/ <i>1.252</i>	41.0/ <i>1.614</i>	3.2/ <i>0.126</i>	M4	8-32UNC	37.4/ <i>1.472</i>	4.0/ <i>0.157</i>	64.5/ <i>2.539</i>	19.0/ <i>0.748</i>	38/ <i>1.496</i>	20.8/ <i>0.819</i>
24	34.9/ <i>1.374</i>	44.5/ <i>1.752</i>	3.7/ <i>0.146</i>	M4	10-24UNC	40.9/ <i>1.610</i>	4.0/ <i>0.157</i>	65.2/ <i>2.567</i>	20.6/ <i>0.811</i>	41/ <i>1.614</i>	24.6/ <i>0.969</i>
28	39.7/ <i>1.563</i>	50.8/ <i>2.000</i>	3.7/ <i>0.146</i>	M5	10-24UNC	46.7/ <i>1.839</i>	4.0/ <i>0.157</i>	65.2/ <i>2.567</i>	20.6/ <i>0.811</i>	48/ <i>1.890</i>	27.0/ <i>1.063</i>
32	44.5/ <i>1.752</i>	57.0/ <i>2.244</i>	4.3/ <i>0.169</i>	M5	1/4-20UNC	53.4/ <i>2.102</i>	4.0/ <i>0.157</i>	66.8/ <i>2.630</i>	22.2/ <i>0.874</i>	54/ <i>2.126</i>	33.3/ <i>1.311</i>
36	49.2/ <i>1.937</i>	63.5/ <i>2.500</i>	4.3/ <i>0.169</i>	M5	1/4-20UNC	59.6/ <i>2.346</i>	4.0/ <i>0.157</i>	66.8/ <i>2.630</i>	22.2/ <i>0.874</i>	61/ <i>2.402</i>	38.5/ <i>1.516</i>
40	55.5/ <i>2.185</i>	69.9/ <i>2.752</i>	4.3/ <i>0.169</i>	M5	1/4-20UNC	65.5/ <i>2.579</i>	4.0/ <i>0.157</i>	66.8/ <i>2.630</i>	22.2/ <i>0.874</i>	68/ <i>2.677</i>	46.0/ <i>1.811</i>

DIMENSIONS IN ITALIC ARE INCHES.

WALL MOUNT RECEPTACLE

00ASBF*/00SBF*

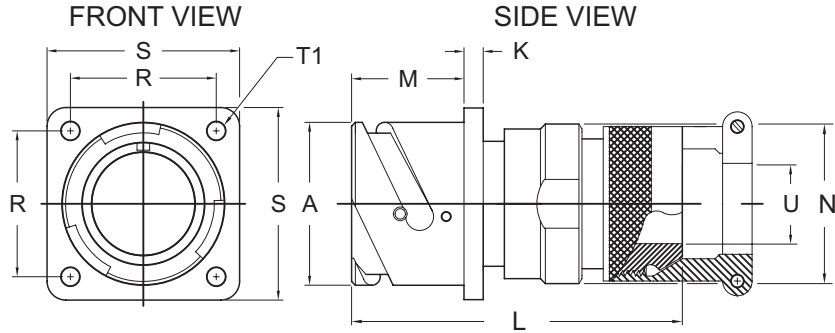
MOUNTING HOLE OPTIONS



THREADED COUNTERSINK

MOUNTING HOLE CODES

CODE	MOUNTING HOLE TYPE
None	Thru holes
FF	Metric thread
UN	UNC thread
FS	Thru holes W/ Metric C'Sink (X=90°)
FSM	Thru holes W/ UN C'Sink (X=82°)



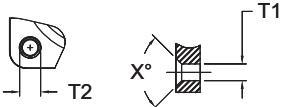
SCPB00ASBF* Environmental, no grommet
 SCPB00SBF* Environmental with grommet

SHELL SIZE	FRONT VIEW				SIDE VIEW						
	R	S	T1	T2 THREAD		A	K	L	M	N	U
	$\pm 0.1/\pm 0.04$	$\pm 0.3/\pm 0.12$	$+0.1/\pm 0.04$ $-0.0/\pm 0.00$	METRIC	UNC	$+0.00/\pm 0.00$ $-0.15/\pm 0.06$	$\pm 0.2/\pm 0.08$	MAX	$+0.4/\pm 0.16$ $-0.0/\pm 0.00$	MAX	MIN
10SL	18.2/ <i>0.717</i>	25.4/ <i>1.000</i>	3.2/ <i>0.126</i>	M4	8-32UNC	18.2/ <i>0.717</i>	2.8/ <i>0.110</i>	52.2/ <i>2.055</i>	14.2/ <i>0.559</i>	22/ <i>0.866</i>	8.6/ <i>0.339</i>
14S	23.0/ <i>0.906</i>	30.0/ <i>1.181</i>	3.2/ <i>0.126</i>	M4	8-32UNC	24.6/ <i>0.969</i>	3.2/ <i>0.126</i>	52.2/ <i>2.055</i>	14.3/ <i>0.563</i>	25/ <i>0.984</i>	10.6/ <i>0.417</i>
16S	24.6/ <i>0.969</i>	32.5/ <i>1.280</i>	3.2/ <i>0.126</i>	M4	8-32UNC	27.4/ <i>1.079</i>	3.2/ <i>0.126</i>	54.2/ <i>2.134</i>	14.0/ <i>0.551</i>	28/ <i>1.102</i>	13.5/ <i>0.531</i>
16	24.6/ <i>0.969</i>	32.5/ <i>1.280</i>	3.2/ <i>0.126</i>	M4	8-32UNC	27.4/ <i>1.079</i>	3.2/ <i>0.126</i>	63.3/ <i>2.492</i>	19.0/ <i>0.748</i>	28/ <i>1.102</i>	13.5/ <i>0.531</i>
18	27.0/ <i>1.063</i>	35.0/ <i>1.378</i>	3.2/ <i>0.126</i>	M4	8-32UNC	30.8/ <i>1.213</i>	4.0/ <i>0.157</i>	64.5/ <i>2.539</i>	19.1/ <i>0.752</i>	31/ <i>1.220</i>	14.6/ <i>0.575</i>
20	29.4/ <i>1.157</i>	38.0/ <i>1.496</i>	3.2/ <i>0.126</i>	M4	8-32UNC	34.2/ <i>1.346</i>	4.0/ <i>0.157</i>	64.5/ <i>2.539</i>	19.1/ <i>0.752</i>	35/ <i>1.378</i>	18.5/ <i>0.728</i>
22	31.8/ <i>1.252</i>	41.0/ <i>1.614</i>	3.2/ <i>0.126</i>	M4	8-32UNC	37.4/ <i>1.472</i>	4.0/ <i>0.157</i>	64.5/ <i>2.539</i>	19.0/ <i>0.748</i>	38/ <i>1.496</i>	20.8/ <i>0.819</i>
24	34.9/ <i>1.374</i>	44.5/ <i>1.752</i>	3.7/ <i>0.146</i>	M4	10-24UNC	40.9/ <i>1.610</i>	4.0/ <i>0.157</i>	65.2/ <i>2.567</i>	20.6/ <i>0.811</i>	41/ <i>1.614</i>	24.6/ <i>0.969</i>
28	39.7/ <i>1.563</i>	50.8/ <i>2.000</i>	3.7/ <i>0.146</i>	M5	10-24UNC	46.7/ <i>1.839</i>	4.0/ <i>0.157</i>	65.2/ <i>2.567</i>	20.6/ <i>0.811</i>	48/ <i>1.890</i>	27.0/ <i>1.063</i>
32	44.5/ <i>1.752</i>	57.0/ <i>2.244</i>	4.3/ <i>0.169</i>	M5	1/4-20UNC	53.4/ <i>2.102</i>	4.0/ <i>0.157</i>	66.8/ <i>2.630</i>	22.2/ <i>0.874</i>	54/ <i>2.126</i>	33.3/ <i>1.311</i>
36	49.2/ <i>1.937</i>	63.5/ <i>2.500</i>	4.3/ <i>0.169</i>	M5	1/4-20UNC	59.6/ <i>2.346</i>	4.0/ <i>0.157</i>	66.8/ <i>2.630</i>	22.2/ <i>0.874</i>	61/ <i>2.402</i>	38.5/ <i>1.516</i>
40	55.5/ <i>2.185</i>	69.9/ <i>2.752</i>	4.3/ <i>0.169</i>	M5	1/4-20UNC	65.5/ <i>2.579</i>	4.0/ <i>0.157</i>	66.8/ <i>2.630</i>	22.2/ <i>0.874</i>	68/ <i>2.677</i>	46.0/ <i>1.811</i>

DIMENSIONS IN ITALIC ARE INCHES.

00ASBT*/00SBT*

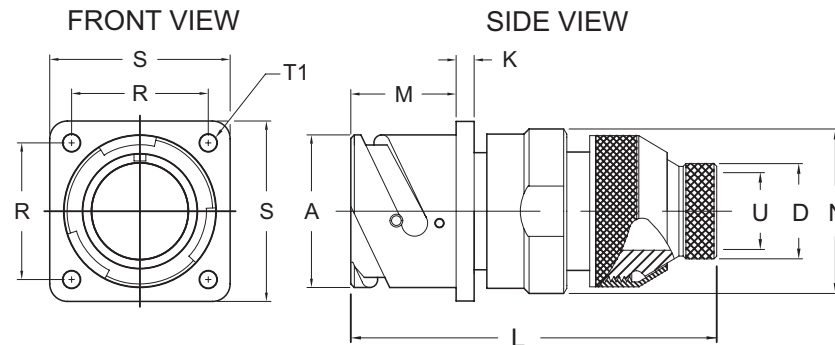
MOUNTING HOLE OPTIONS



THREADED COUNTERSINK

MOUNTING HOLE CODES

CODE	MOUNTING HOLE TYPE
None	Thru holes
FF	Metric thread
UN	UNC thread
FS	Thru holes W/ Metric C'Sink (X=90°)
FSM	Thru holes W/ UN C'Sink (X=82°)



SCPB00ASBT* Non-environmental, no grommet
 SCPB00SBT* Environmental with grommet

SHELL SIZE	FRONT VIEW				SIDE VIEW							
	R	S	T1	T2 THREAD		A	D	K	L	M	N	U
	$\pm 0.1/\pm 0.04$	$\pm 0.3/\pm 0.12$	$+0.1/\pm 0.04$ $-0.0/\pm 0.00$	METRIC	UNC	$+0.00/\pm 0.00$ $-0.15/\pm 0.06$	MAX	$\pm 0.2/\pm 0.08$	MAX	$+0.4/\pm 0.16$ $-0.0/\pm 0.00$	MAX	MIN
10SL	18.2/ <i>0.717</i>	25.4/ <i>1.000</i>	3.2/ <i>0.126</i>	M4	8-32UNC	18.2/ <i>0.717</i>	11.1/ <i>0.437</i>	2.8/ <i>0.110</i>	61/ <i>2.402</i>	14.2/ <i>0.559</i>	22/ <i>0.866</i>	7.6/ <i>0.299</i>
14S	23.0/ <i>0.906</i>	30.0/ <i>1.181</i>	3.2/ <i>0.126</i>	M4	8-32UNC	24.6/ <i>0.969</i>	14.3/ <i>0.563</i>	3.2/ <i>0.126</i>	64/ <i>2.520</i>	14.3/ <i>0.563</i>	25/ <i>0.984</i>	10.8/ <i>0.425</i>
16S	24.6/ <i>0.969</i>	32.5/ <i>1.280</i>	3.2/ <i>0.126</i>	M4	8-32UNC	27.4/ <i>1.079</i>	15.9/ <i>0.626</i>	3.2/ <i>0.126</i>	70/ <i>2.756</i>	14.0/ <i>0.551</i>	28/ <i>1.102</i>	12.4/ <i>0.488</i>
16	24.6/ <i>0.969</i>	32.5/ <i>1.280</i>	3.2/ <i>0.126</i>	M4	8-32UNC	27.4/ <i>1.079</i>	15.9/ <i>0.626</i>	3.2/ <i>0.126</i>	80/ <i>3.150</i>	19.0/ <i>0.748</i>	28/ <i>1.102</i>	12.4/ <i>0.488</i>
18	27.0/ <i>1.063</i>	35.0/ <i>1.378</i>	3.2/ <i>0.126</i>	M4	8-32UNC	30.8/ <i>1.213</i>	19.1/ <i>0.752</i>	4.0/ <i>0.157</i>	80/ <i>3.150</i>	19.1/ <i>0.752</i>	31/ <i>1.220</i>	15.6/ <i>0.614</i>
20	29.4/ <i>1.157</i>	38.0/ <i>1.496</i>	3.2/ <i>0.126</i>	M4	8-32UNC	34.2/ <i>1.346</i>	22.3/ <i>0.878</i>	4.0/ <i>0.157</i>	80/ <i>3.150</i>	19.1/ <i>0.752</i>	35/ <i>1.378</i>	18.7/ <i>0.736</i>
22	31.8/ <i>1.252</i>	41.0/ <i>1.614</i>	3.2/ <i>0.126</i>	M4	8-32UNC	37.4/ <i>1.472</i>	25.4/ <i>1.000</i>	4.0/ <i>0.157</i>	80/ <i>3.150</i>	19.0/ <i>0.748</i>	38/ <i>1.496</i>	21.9/ <i>0.862</i>
24	34.9/ <i>1.374</i>	44.5/ <i>1.752</i>	3.7/ <i>0.146</i>	M4	10-24UNC	40.9/ <i>1.610</i>	28.6/ <i>1.126</i>	4.0/ <i>0.157</i>	80/ <i>3.150</i>	20.6/ <i>0.811</i>	41/ <i>1.614</i>	25.1/ <i>0.988</i>
28	39.7/ <i>1.563</i>	50.8/ <i>2.000</i>	3.7/ <i>0.146</i>	M5	10-24UNC	46.7/ <i>1.839</i>	31.8/ <i>1.252</i>	4.0/ <i>0.157</i>	80/ <i>3.150</i>	20.6/ <i>0.811</i>	48/ <i>1.890</i>	28.3/ <i>1.114</i>
32	44.5/ <i>1.752</i>	57.0/ <i>2.244</i>	4.3/ <i>0.169</i>	M5	1/4-20UNC	53.4/ <i>2.102</i>	36.6/ <i>1.440</i>	4.0/ <i>0.157</i>	80/ <i>3.150</i>	22.2/ <i>0.874</i>	54/ <i>2.126</i>	28.3/ <i>1.114</i>
36	49.2/ <i>1.937</i>	63.5/ <i>2.500</i>	4.3/ <i>0.169</i>	M5	1/4-20UNC	59.6/ <i>2.346</i>	44.5/ <i>1.752</i>	4.0/ <i>0.157</i>	85/ <i>3.346</i>	22.2/ <i>0.874</i>	61/ <i>2.402</i>	41.0/ <i>1.614</i>
40	55.5/ <i>2.185</i>	69.9/ <i>2.752</i>	4.3/ <i>0.169</i>	M5	1/4-20UNC	65.5/ <i>2.579</i>	50.8/ <i>2.000</i>	4.0/ <i>0.157</i>	85/ <i>3.346</i>	22.2/ <i>0.874</i>	68/ <i>2.677</i>	40.6/ <i>1.600</i>

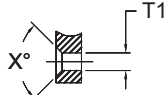
DIMENSIONS IN ITALIC ARE INCHES.

1. DIMENSION L WILL VARY FROM THE VALUES INDICATED FOR SOME SPECIAL INSERT CONFIGURATIONS.

WALL MOUNT RECEPTACLE

00CF*/00CFZ*

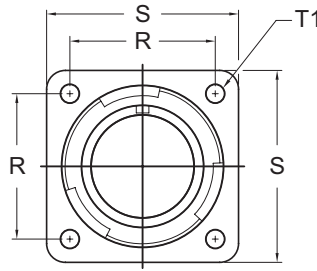
MOUNTING HOLE OPTIONS



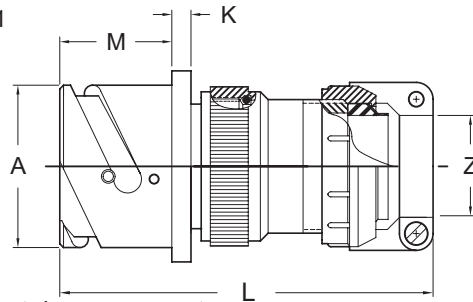
THREADED COUNTERSINK
MOUNTING HOLE CODES

CODE	MOUNTING HOLE TYPE
None	Thru holes
FF	Metric thread
UN	UNC thread
FS	Thru holes W/ Metric C'Sink (X=90°)
FSM	Thru holes W/ UN C'Sink (X=82°)

FRONT VIEW



SIDE VIEW



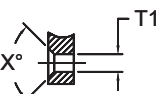
SCPB00CF* Environmental, no grommet
SCPB00CFZ* Environmental with grommet

SHELL SIZE	FRONT VIEW				SIDE VIEW							
	R ±0.1/±.004	S ±0.3/±.012	T1 +0.1/+0.004 -0.0/-0.000	T2 THREAD		A +0.00/+0.000 -0.15/-0.006	K ±0.2/±.008	L MAX	M +0.4/+0.016 -0.0/-0.000	Z		
				METRIC	UNC					OPEN	CLOSED	
10SL	18.2/0.717	25.4/1.000	3.2/0.126	M4	8-32UNC	18.2/0.717	2.8/0.110	73/2.874	14.2/0.559	7.93/0.312	2.38/0.094	
14S	23.0/0.906	30.0/1.181	3.2/0.126	M4	8-32UNC	24.6/0.969	3.2/0.126	77/3.031	14.3/0.563	11.12/0.438	5.84/0.230	
16S	24.6/0.969	32.5/1.280	3.2/0.126	M4	8-32UNC	27.4/1.079	3.2/0.126	77/3.031	14.0/0.551	13.48/0.531	8.0/0.315	
16	24.6/0.969	32.5/1.280	3.2/0.126	M4	8-32UNC	27.4/1.079	3.2/0.126	88/3.465	19.0/0.748	13.48/0.531	8.0/0.315	
18	27.0/1.063	35.0/1.378	3.2/0.126	M4	8-32UNC	30.8/1.213	4.0/0.157	91/3.583	19.1/0.752	15.87/0.625	9.6/0.378	
20	29.4/1.157	38.0/1.496	3.2/0.126	M4	8-32UNC	34.2/1.346	4.0/0.157	91/3.583	19.1/0.752	19.00/0.748	11.3/0.445	
22	31.8/1.252	41.0/1.614	3.2/0.126	M4	8-32UNC	37.4/1.472	4.0/0.157	92/3.622	19.0/0.748	19.00/0.748	11.3/0.445	
24	34.9/1.374	44.5/1.752	3.7/0.146	M4	10-24UNC	40.9/1.610	4.0/0.157	97/3.819	20.6/0.811	23.80/0.937	15.5/0.610	
28	39.7/1.563	50.8/2.000	3.7/0.146	M5	10-24UNC	46.7/1.839	4.0/0.157	103/4.055	20.6/0.811	23.80/0.937	15.5/0.610	
32	44.5/1.752	57.0/2.244	4.3/0.169	M5	1/4-20UNC	53.4/2.102	4.0/0.157	113/4.449	22.2/0.874	31.75/1.250	23.4/0.921	
36	49.2/1.937	63.5/2.500	4.3/0.169	M5	1/4-20UNC	59.6/2.346	4.0/0.157	120/4.724	22.2/0.874	35.00/1.378	23.4/0.921	
40	55.5/2.185	69.9/2.752	4.3/0.169	M5	1/4-20UNC	65.5/2.579	4.0/0.157	135/5.315	22.2/0.874	41.25/1.624	29.9/1.177	

DIMENSIONS IN ITALIC ARE INCHES.

00CMEG*

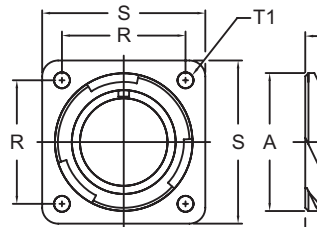
MOUNTING HOLE OPTIONS



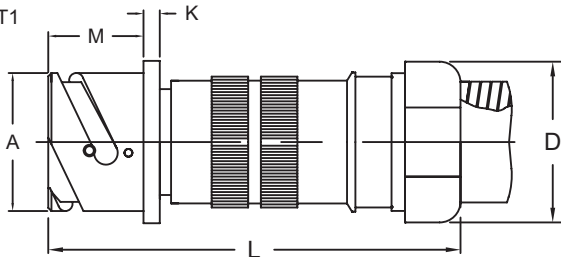
THREADED COUNTERSINK
MOUNTING HOLE CODES

CODE	MOUNTING HOLE TYPE
None	Thru holes
FF	Metric thread
UN	UNC thread
FS	Thru holes W/ Metric C'Sink (X=90°)
FSM	Thru holes W/ UN C'Sink (X=82°)

FRONT VIEW



SIDE VIEW



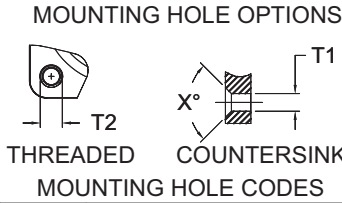
SCPB00CMEG* Environmental with grommet

SHELL SIZE	FRONT VIEW				SIDE VIEW				CONDUIT SIZE					
	R ±0.1/±.004	S ±0.3/±.012	T1 +0.1/+0.004 -0.0/-0.000	T2 THREAD		A +0.00/+0.000 -0.15/-0.006	K ±0.2/±.008	L	M +0.4/+0.016 -0.0/-0.000	CABLE CODE	ELECTRI-FLEX CONDUIT TRADE SIZE	SHELL SIZE		D APRX.
				METRIC	UNC							20	24	
10SL	18.2/0.717	25.4/1.000	3.2/0.126	M4	8-32UNC	18.2/0.717	2.8/0.110		14.2/0.559	075	3/4	20	41.9/1.65	
14S	23.0/0.906	30.0/1.181	3.2/0.126	M4	8-32UNC	24.6/0.969	3.2/0.126		14.3/0.563			24	41.9/1.65	
16S	24.6/0.969	32.5/1.280	3.2/0.126	M4	8-32UNC	27.4/1.079	3.2/0.126	* Dimension L is dependent on the backshell used, the cable range and the fitting used. Consult factory.	14.0/0.551			36	41.9/1.65	
16	24.6/0.969	32.5/1.280	3.2/0.126	M4	8-32UNC	27.4/1.079	3.2/0.126		19.0/0.748			20	47.6/1.88	
18	27.0/1.063	35.0/1.378	3.2/0.126	M4	8-32UNC	30.8/1.213	4.0/0.157		19.1/0.752			FOR OTHER SIZES CONSULT FACTORY		
20	29.4/1.157	38.0/1.496	3.2/0.126	M4	8-32UNC	34.2/1.346	4.0/0.157		19.1/0.752					
22	31.8/1.252	41.0/1.614	3.2/0.126	M4	8-32UNC	37.4/1.472	4.0/0.157		19.0/0.748					
24	34.9/1.374	44.5/1.752	3.7/0.146	M4	10-24UNC	40.9/1.610	4.0/0.157		20.6/0.811					
28	39.7/1.563	50.8/2.000	3.7/0.146	M5	10-24UNC	46.7/1.839	4.0/0.157		20.6/0.811					
32	44.5/1.752	57.0/2.244	4.3/0.169	M5	1/4-20UNC	53.4/2.102	4.0/0.157		22.2/0.874					
36	49.2/1.937	63.5/2.500	4.3/0.169	M5	1/4-20UNC	59.6/2.346	4.0/0.157		22.2/0.874					
40	55.5/2.185	69.9/2.752	4.3/0.169	M5	1/4-20UNC	65.5/2.579	4.0/0.157		22.2/0.874					

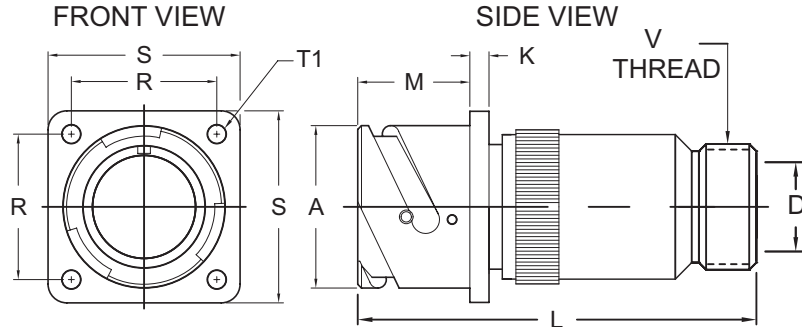
DIMENSIONS IN ITALIC ARE INCHES.

WALL MOUNT RECEPTACLE

00LA*/00LR*



CODE	MOUNTING HOLE TYPE
None	Thru holes
FF	Metric thread
UN	UNC thread
FS	Thru holes W/ Metric C'Sink (X=90°)
FSM	Thru holes W/ UN C'Sink (X=82°)

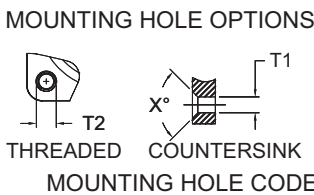


SCPB00LA* Non-environmental, no grommet
 SCPB00LR* Environmental with grommet

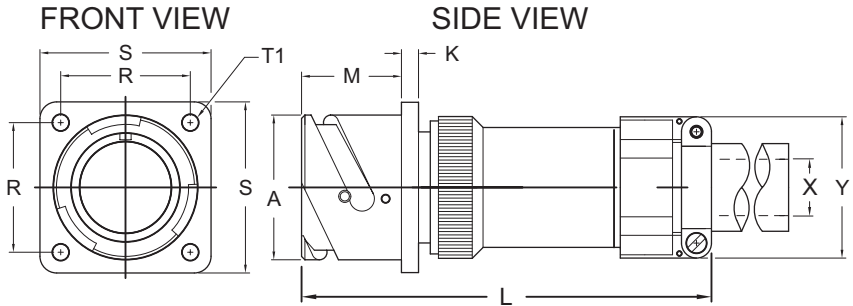
SHELL SIZE	FRONT VIEW				SIDE VIEW						
	R ±0.1/±0.004	S ±0.3/±0.012	T1 +0.1/+0.004 -0.0/-0.000	T2 THREAD		A +0.00/+0.000 -0.15/-0.006	D MIN.	K ±0.2/±0.008	L MAX.	M +0.4/+0.016 -0.0/-0.000	V THREAD CLASS 2A
				METRIC	UNC						
10SL	18.2/0.717	25.4/1.000	3.2/0.126	M4	8-32UNC	18.2/0.717	8.2/0.323	2.8/0.110	71/2.79	14.2/0.559	5/8-24 UNEF
14S	23.0/0.906	30.0/1.181	3.2/0.126	M4	8-32UNC	24.6/0.969	11.1/0.437	3.2/0.126	71/2.79	14.3/0.563	3/4-20 UNEF
16S	24.6/0.969	32.5/1.280	3.2/0.126	M4	8-32UNC	27.4/1.079	14.3/0.563	3.2/0.126	71/2.79	14.0/0.551	7/8-20 UNEF
16	24.6/0.969	32.5/1.280	3.2/0.126	M4	8-32UNC	27.4/1.079	14.3/0.563	3.2/0.126	87/3.42	19.0/0.748	7/8-20 UNEF
18	27.0/1.063	35.0/1.378	3.2/0.126	M4	8-32UNC	30.8/1.213	16.7/0.657	4.0/0.157	87/3.42	19.1/0.752	1-20 UNEF
20	29.4/1.157	38.0/1.496	3.2/0.126	M4	8-32UNC	34.2/1.346	19.8/0.780	4.0/0.157	87/3.42	19.1/0.752	1 3/16-18 UNEF
22	31.8/1.252	41.0/1.614	3.2/0.126	M4	8-32UNC	37.4/1.472	19.8/0.780	4.0/0.157	87/3.42	19.0/0.748	1 3/16-18 UNEF
24	34.9/1.374	44.5/1.752	3.7/0.146	M4	10-24UNC	40.9/1.610	25.4/1.000	4.0/0.157	87/3.42	20.6/0.811	1 7/16-18 UNEF
28	39.7/1.563	50.8/2.000	3.7/0.146	M5	10-24UNC	46.7/1.839	27.0/1.063	4.0/0.157	95/3.74	20.6/0.811	1 7/16-18 UNEF
32	44.5/1.752	57.0/2.244	4.3/0.169	M5	1/4-20UNC	53.4/2.102	32.5/1.280	4.0/0.157	95/3.74	22.2/0.874	1 3/4-18 UNS
36	49.2/1.937	63.5/2.500	4.3/0.169	M5	1/4-20UNC	59.6/2.346	35.7/1.406	4.0/0.157	95/3.74	22.2/0.874	2-18 UNS
40	55.5/2.185	69.9/2.752	4.3/0.169	M5	1/4-20UNC	65.5/2.579	45.0/1.772	4.0/0.157	95/3.74	22.2/0.874	2 1/4-16 UN

DIMENSIONS IN ITALIC ARE INCHES.

00LAF*/00LFF*



CODE	MOUNTING HOLE TYPE
None	Thru holes
FF	Metric thread
UN	UNC thread
FS	Thru holes W/ Metric C'Sink (X=90°)
FSM	Thru holes W/ UN C'Sink (X=82°)



SCPB00LAF* Non-environmental, no grommet
 SCPB00LFF* Environmental with grommet

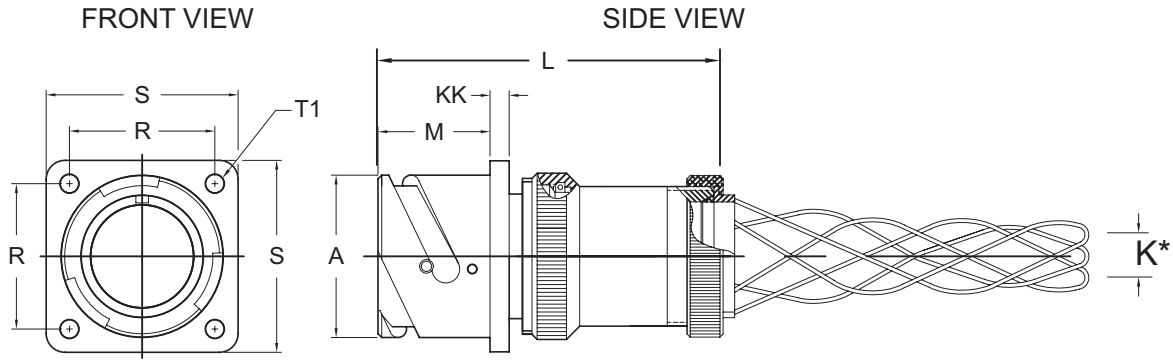
SHELL SIZE	FRONT VIEW				SIDE VIEW						
	R ±0.1/±0.004	S ±0.3/±0.012	T1 +0.1/+0.004 -0.0/-0.000	T2 THREAD		A +0.00/+0.000 -0.15/-0.006	K ±0.2/±0.008	L MAX.	M +0.4/+0.016 -0.0/-0.000	X MIN.	Y MAX.
				METRIC	UNC						
10SL	18.2/0.717	25.4/1.000	3.2/0.126	M4	8-32UNC	18.2/0.717	2.8/0.110	92/3.622	14.2/0.559	5.6/0.220	22.7/0.894
14S	23.0/0.906	30.0/1.181	3.2/0.126	M4	8-32UNC	24.6/0.969	3.2/0.126	93/3.661	14.3/0.563	7.9/0.311	27.5/1.083
16S	24.6/0.969	32.5/1.280	3.2/0.126	M4	8-32UNC	27.4/1.079	3.2/0.126	95/3.740	14.0/0.551	11.0/0.433	30.0/1.181
16	24.6/0.969	32.5/1.280	3.2/0.126	M4	8-32UNC	27.4/1.079	3.2/0.126	111/4.370	19.0/0.748	11.0/0.433	30.0/1.181
18	27.0/1.063	35.0/1.378	3.2/0.126	M4	8-32UNC	30.8/1.213	4.0/0.157	111/4.370	19.1/0.752	14.2/0.559	32.2/1.268
20	29.4/1.157	38.0/1.496	3.2/0.126	M4	8-32UNC	34.2/1.346	4.0/0.157	111/4.370	19.1/0.752	15.8/0.622	37.5/1.476
22	31.8/1.252	41.0/1.614	3.2/0.126	M4	8-32UNC	37.4/1.472	4.0/0.157	111/4.370	19.0/0.748	15.8/0.622	37.5/1.476
24	34.9/1.374	44.5/1.752	3.7/0.146	M4	10-24UNC	40.9/1.610	4.0/0.157	113/4.449	20.6/0.811	19.0/0.748	43.3/1.705
28	39.7/1.563	50.8/2.000	3.7/0.146	M5	10-24UNC	46.7/1.839	4.0/0.157	121/4.764	20.6/0.811	19.0/0.748	43.3/1.705
32	44.5/1.752	57.0/2.244	4.3/0.169	M5	1/4-20UNC	53.4/2.102	4.0/0.157	123/4.842	22.2/0.874	23.8/1.051	51.7/2.035
36	49.2/1.937	63.5/2.500	4.3/0.169	M5	1/4-20UNC	59.6/2.346	4.0/0.157	125/4.921	22.2/0.874	31.7/1.248	58.0/2.283
40	55.5/2.185	69.9/2.752	4.3/0.169	M5	1/4-20UNC	65.5/2.579	4.0/0.157	138/5.433	22.2/0.874	34.9/1.374	65.5/2.579

DIMENSIONS IN ITALIC ARE INCHES.

WALL MOUNT RECEPTACLE

00LCG*/00LC*

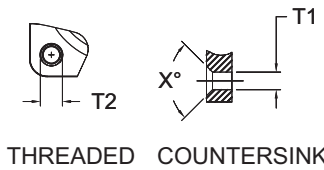
1C



SCPB00LCG* Environmental, no grommet
 SCPB00LC* Environmental with grommet

K*	CABLE RANGE	
	MIN	MAX
K0	6.35 / 0.250	9.53 / 0.375
K1	9.53 / 0.375	12.7 / 0.500
K2	12.7 / 0.500	15.87 / 0.625
K3	15.87 / 0.625	19.05 / 0.750
K4	19.05 / 0.750	22.23 / 0.875
K5	22.23 / 0.875	25.40 / 1.000
K6	25.40 / 1.000	28.45 / 1.120
K7	28.45 / 1.120	31.75 / 1.250
K8	32.77 / 1.290	38.10 / 1.500
K9	39.62 / 1.560	41.28 / 1.625
K10	41.28 / 1.625	44.45 / 1.750

MOUNTING HOLE OPTIONS



MOUNTING HOLE CODES

CODE	MOUNTING HOLE TYPE
None	Thru holes
FF	Metric thread
UN	UNC thread
FS	Thru holes W/ Metric C'Sink (X=90°)
FSM	Thru holes W/ UN C'Sink (X=82°)

SHELL SIZE	FRONT VIEW					SIDE VIEW			
	R	S	T1	T2		A	KK	L ¹	M
	±0.1/±.004	±0.3/±.012	+0.1/+0.004 -0.0/-0.000	THREAD		+0.00/ +.000 -0.15/ -.006	±0.2/ ±.008	MAX	+0.4/ +.016 -0.0/ -.000
			METRIC	UNC					
10SL	18.2/ 0.717	25.4/ 1.000	3.2/ 0.126	M4	8-32UNC	18.2/ 0.717	2.8/ 0.110	100/ 3.937	14.2/ 0.559
14S	23.0/ 0.906	30.0/ 1.181	3.2/ 0.126	M4	8-32UNC	24.6/ 0.969	3.2/ 0.126	100/ 3.937	14.3/ 0.563
16S	24.6/ 0.969	32.5/ 1.280	3.2/ 0.126	M4	8-32UNC	27.4/ 1.079	3.2/ 0.126	100/ 3.937	14.0/ 0.551
16	24.6/ 0.969	32.5/ 1.280	3.2/ 0.126	M4	8-32UNC	27.4/ 1.079	3.2/ 0.126	110/ 4.331	19.0/ 0.748
18	27.0/ 1.063	35.0/ 1.378	3.2/ 0.126	M4	8-32UNC	30.8/ 1.213	4.0/ 0.157	110/ 4.331	19.1/ 0.752
20	29.4/ 1.157	38.0/ 1.496	3.2/ 0.126	M4	8-32UNC	34.2/ 1.346	4.0/ 0.157	116/ 4.567	19.1/ 0.752
22	31.8/ 1.252	41.0/ 1.614	3.2/ 0.126	M4	8-32UNC	37.4/ 1.472	4.0/ 0.157	116/ 4.567	19.0/ 0.748
24	34.9/ 1.374	44.5/ 1.752	3.7/ 0.146	M4	10-24UNC	40.9/ 1.610	4.0/ 0.157	120/ 4.724	20.6/ 0.811
28	39.7/ 1.563	50.8/ 2.000	3.7/ 0.146	M5	10-24UNC	46.7/ 1.839	4.0/ 0.157	129/ 5.079	20.6/ 0.811
32	44.5/ 1.752	57.0/ 2.244	4.3/ 0.169	M5	1/4-20UNC	53.4/ 2.102	4.0/ 0.157	145/ 5.709	22.2/ 0.874
36	49.2/ 1.937	63.5/ 2.500	4.3/ 0.169	M5	1/4-20UNC	59.6/ 2.346	4.0/ 0.157	145/ 5.709	22.2/ 0.874
40	55.5/ 2.185	69.9/ 2.752	4.3/ 0.169	M5	1/4-20UNC	65.5/ 2.579	4.0/ 0.157	145/ 5.709	22.2/ 0.874

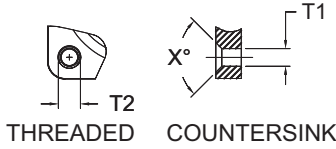
DIMENSIONS IN ITALIC ARE INCHES.

1. DIMENSION L WILL VARY FROM THE VALUES INDICATED WITH ESCALATING OR DE-ESCALATING BACKSHELLS AND SOME SPECIAL INSERT CONFIGURATIONS.

WALL MOUNT RECEPTACLE

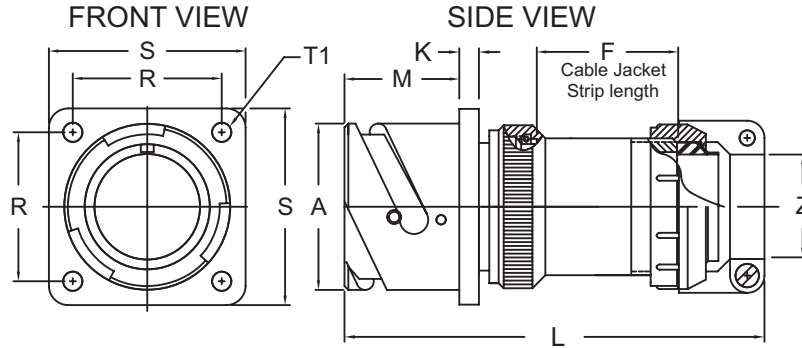
00LCF*/00LCFZ*

MOUNTING HOLE OPTIONS



MOUNTING HOLE CODES

CODE	MOUNTING HOLE TYPE
None	Thru holes
FF	Metric thread
UN	UNC thread
FS	Thru holes W/ Metric C'Sink (X=90°)
FSM	Thru holes W/ UN C'Sink (X=82°)



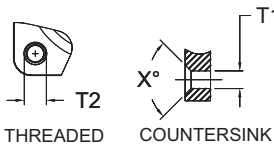
SCPB00LCF* Environmental, no grommet
 SCPB00LCFZ* Environmental with grommet

SHELL SIZE	FRONT VIEW				SIDE VIEW							
	R ±0.1/±.004	S ±0.3/±.012	T1 +0.1/+0.004 -0.0/-0.000	T2 THREAD		A +0.00/+0.000 -0.15/-0.006	F REF	K ±0.2/±.008	L MAX	M +0.4/+0.016 -0.0/-0.000	Z	
				METRIC	UNC						OPEN	CLOSED
10SL	18.2/0.717	25.4/1.000	3.2/0.126	M4	8-32UNC	18.2/0.717	42/1.654	2.8/0.110	101/3.976	14.2/0.559	7.93/0.312	2.38/0.094
14S	23.0/0.906	30.0/1.181	3.2/0.126	M4	8-32UNC	24.6/0.969	42.6/1.677	3.2/0.126	101/3.976	14.3/0.563	11.12/0.438	5.84/0.230
16S	24.6/0.969	32.5/1.280	3.2/0.126	M4	8-32UNC	27.4/1.079	42.6/1.677	3.2/0.126	101/3.976	14.0/0.551	13.48/0.531	8.0/0.315
16	24.6/0.969	32.5/1.280	3.2/0.126	M4	8-32UNC	27.4/1.079	42.6/1.677	3.2/0.126	114/4.488	19.0/0.748	13.48/0.531	8.0/0.315
18	27.0/1.063	35.0/1.378	3.2/0.126	M4	8-32UNC	30.8/1.213	45.8/1.803	4.0/0.157	119/4.685	19.1/0.752	15.87/0.625	9.6/0.378
20	29.4/1.157	38.0/1.496	3.2/0.126	M4	8-32UNC	34.2/1.346	45.9/1.807	4.0/0.157	119/4.685	19.1/0.752	19.00/0.748	11.3/0.445
22	31.8/1.252	41.0/1.614	3.2/0.126	M4	8-32UNC	37.4/1.472	45.9/1.807	4.0/0.157	119/4.685	19.0/0.748	19.00/0.748	11.3/0.445
24	34.9/1.374	44.5/1.752	3.7/0.146	M4	10-24UNC	40.9/1.610	44.5/1.752	4.0/0.157	124/4.882	20.6/0.811	23.80/0.937	15.5/0.610
28	39.7/1.563	50.8/2.000	3.7/0.146	M5	10-24UNC	46.7/1.839	49.5/1.949	4.0/0.157	130/5.118	20.6/0.811	23.80/0.937	15.5/0.610
32	44.5/1.752	57.0/2.244	4.3/0.169	M5	1/4-20UNC	53.4/2.102	49.6/1.953	4.0/0.157	137/5.394	22.2/0.874	31.75/1.250	23.4/0.921
36	49.2/1.937	63.5/2.500	4.3/0.169	M5	1/4-20UNC	59.6/2.346	50/1.969	4.0/0.157	144/5.669	22.2/0.874	35.00/1.378	23.4/0.921
40	55.5/2.185	69.9/2.752	4.3/0.169	M5	1/4-20UNC	65.5/2.579	50/1.969	4.0/0.157	144/5.669	22.2/0.874	41.25/1.624	29.9/1.177

DIMENSIONS IN ITALIC ARE INCHES.

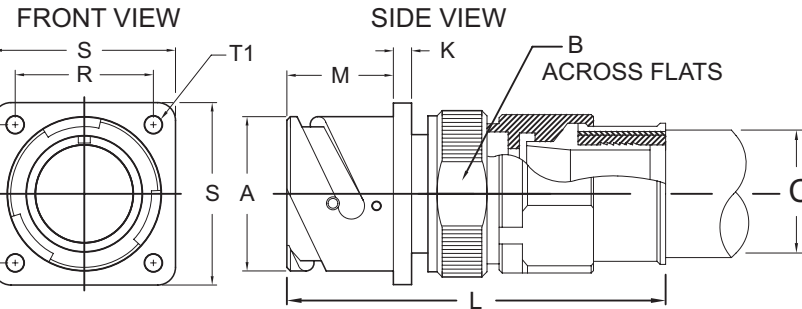
00NMG*/00NM*

MOUNTING HOLE OPTIONS



MOUNTING HOLE CODES

CODE	MOUNTING HOLE TYPE
None	Thru holes
FF	Metric thread
UN	UNC thread
FS	Thru holes W/ Metric C'Sink (X=90°)
FSM	Thru holes W/ UN C'Sink (X=82°)



SCPB00NMG* Environmental, no grommet
 SCPB00NM* Environmental with grommet

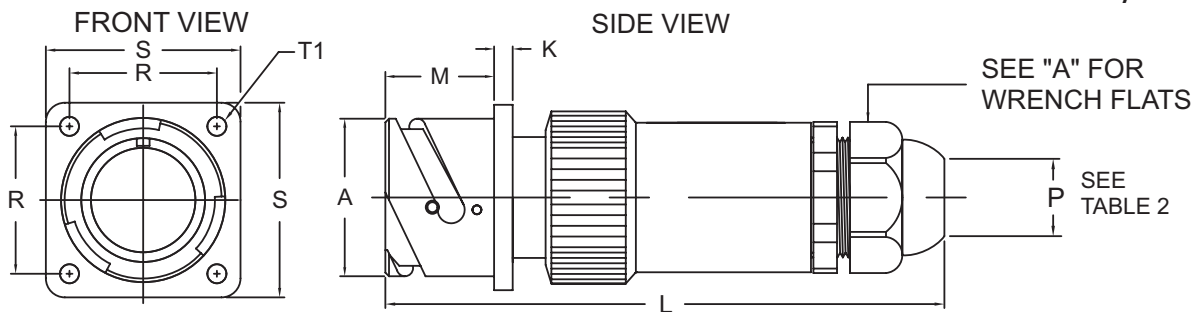
SHELL SIZE	FRONT VIEW				SIDE VIEW					CODE (***)	AVAILABLE CONDUIT SIZES C	
	R ±0.1/±.004	S ±0.3/±.012	T1 +0.1/+0.004 -0.0/-0.000	T2 THREAD		A +0.00/+0.000 -0.15/-0.006	B ACROSS FLATS	K ±0.2/±.008	L			M +0.4/+0.016 -0.0/-0.000
				METRIC	UNC							
10SL	18.2/0.717	25.4/1.000	3.2/0.126	M4	8-32UNC	18.2/0.717	17.8/0.701	2.8/0.110	Dimension L is dependent on conduit size used with each shell size. (consult factory)	14.2/0.559	(038) 9.52/3/8 (050) 12.70/ 1/2 (075) 19.05/ 3/4 (100) 25.40/ 1 (125) 31.75/ 1 1/4 (150) 38.10/ 1 1/2 (200) 50.80/ 2 (***) Conduit Size must be specified as part of the connector part number using Conduit code	
14S	23.0/0.906	30.0/1.181	3.2/0.126	M4	8-32UNC	24.6/0.969	23.8/0.937	3.2/0.126		14.3/0.563		
16S	24.6/0.969	32.5/1.280	3.2/0.126	M4	8-32UNC	27.4/1.079	25.4/1.000	3.2/0.126		14.0/0.551		
16	24.6/0.969	32.5/1.280	3.2/0.126	M4	8-32UNC	27.4/1.079	25.4/1.000	3.2/0.126		19.0/0.748		
18	27.0/1.063	35.0/1.378	3.2/0.126	M4	8-32UNC	30.8/1.213	28.6/1.126	4.0/0.157		19.1/0.752		
20	29.4/1.157	38.0/1.496	3.2/0.126	M4	8-32UNC	34.2/1.346	31.7/1.248	4.0/0.157		19.1/0.752		
22	31.8/1.252	41.0/1.614	3.2/0.126	M4	8-32UNC	37.4/1.472	34.9/1.374	4.0/0.157		19.0/0.748		
24	34.9/1.374	44.5/1.752	3.7/0.146	M4	10-24UNC	40.9/1.610	38.1/1.500	4.0/0.157		20.6/0.811		
28	39.7/1.563	50.8/2.000	3.7/0.146	M5	10-24UNC	46.7/1.839	44.4/1.748	4.0/0.157		20.6/0.811		
32	44.5/1.752	57.0/2.244	4.3/0.169	M5	1/4-20UNC	53.4/2.102	50.8/2.000	4.0/0.157		22.2/0.874		
36	49.2/1.937	63.5/2.500	4.3/0.169	M5	1/4-20UNC	59.6/2.346	57.1/2.248	4.0/0.157	22.2/0.874			
40	55.5/2.185	69.9/2.752	4.3/0.169	M5	1/4-20UNC	65.5/2.579	61.9/2.437	4.0/0.157	22.2/0.874			

DIMENSIONS IN ITALIC ARE INCHES.

WALL MOUNT RECEPTACLE

OOSL*/OOSL1*

1C



SCPB00SL* Environmental, no grommet

SCPB00SL1* Environmental with grommet

MOUNTING HOLE OPTIONS



MOUNTING HOLE CODES

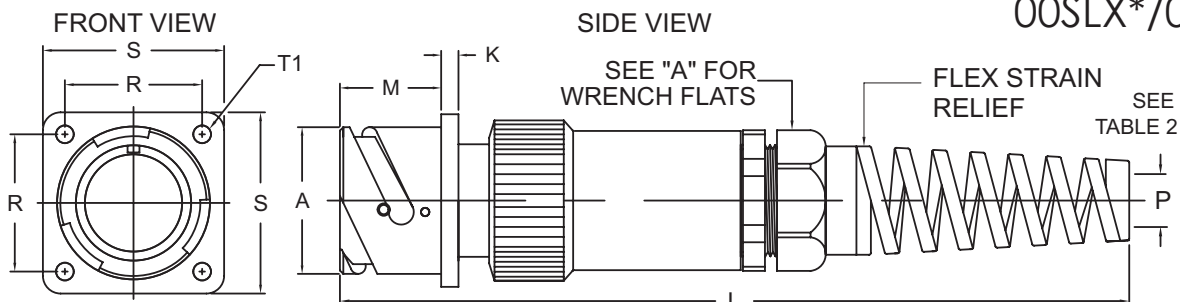
CODE	MOUNTING HOLE TYPE
None	Thru holes
FF	Metric thread
UN	UNC thread
FS	Thru holes W/ Metric C'Sink (X=90°)
FSM	Thru holes W/ UN C'Sink (X=82°)

TABLE 2: CABLE RANGE CODE

(XX) CABLE CODE	TYPE	P CABLE RANGE	A WRENCH FLATS
NO STRAIN RELIEF			
07R	PG7	2.0-5.0 / 0.08-0.20	15.0 / 0.591
07	PG7	3.0-6.5 / 0.12-0.26	15.0 / 0.591
09R	PG9	2.0-6.0 / 0.08-0.24	19.0 / 0.748
09	PG9	4.0-8.0 / 0.16-0.31	19.0 / 0.748
11R	PG11	3.0-7.0 / 0.12-0.28	22.0 / 0.866
11	PG11	5.0-10.0 / 0.20-0.39	22.0 / 0.866
13R	PG13.5	5.0-9.0 / 0.20-0.35	24.0 / 0.945
13	PG13.5	6.0-12.0 / 0.24-0.47	24.0 / 0.945
16R	PG16	7.0-12.0 / 0.28-0.47	27.0 / 1.063
16	PG16	10.0-14.0 / 0.39-0.55	27.0 / 1.063
21R	PG21	9.0-16.0 / 0.35-0.63	33.0 / 1.299
21	PG21	13.0-18.0 / 0.51-0.71	33.0 / 1.299
29R	PG29	12.0-20.0 / 0.47-0.79	42.0 / 1.654
29	PG29	18.0-25.0 / 0.71-0.98	42.0 / 1.654
36R	PG36	20.0-26.0 / 0.79-1.02	53.0 / 2.087
36	PG36	22.0-32.0 / 0.87-1.26	53.0 / 2.087
42	PG42	30.0-38.0 / 1.18-1.50	60.0 / 2.362
48	PG48	34.0-44.0 / 1.34-1.73	65.0 / 2.559

SHELL SIZE	FRONT VIEW			SIDE VIEW							
	R	S	T1	T2		A	K	L	M	* Dimension L is dependent on the backshell the cable range and the fitting used. Consult factory.	
	±0.1/±.004	±0.3/±.012	+0.1/+0.004 -0.0/-0.000	METRIC	UNC	+0.00/+0.000 -0.15/-0.006	±0.2/±0.008		+0.4/+0.016 -0.0/-0.000		
10SL	18.2/0.717	25.4/1.000	3.2/0.126	M4	8-32UNC	18.2/0.717	2.8/0.110		14.2/0.559		
14S	23.0/0.906	30.0/1.181	3.2/0.126	M4	8-32UNC	24.6/0.969	3.2/0.126		14.2/0.559		
16S	24.6/0.969	32.5/1.280	3.2/0.126	M4	8-32UNC	27.4/1.079	3.2/0.126		14.2/0.559		
16	24.6/0.969	32.5/1.280	3.2/0.126	M4	8-32UNC	27.4/1.079	3.2/0.126		19.0/0.748		
18	27.0/1.063	35.0/1.378	3.2/0.126	M4	8-32UNC	30.8/1.213	4.0/0.157		19.0/0.748		
20	29.4/1.157	38.0/1.496	3.2/0.126	M4	8-32UNC	34.2/1.346	4.0/0.157		19.0/0.748		
22	31.8/1.252	41.0/1.614	3.2/0.126	M4	8-32UNC	37.4/1.472	4.0/0.157		19.0/0.748		
24	34.9/1.374	44.5/1.752	3.7/0.146	M4	10-24UNC	40.9/1.610	4.0/0.157		20.6/0.811		
28	39.7/1.563	50.8/2.000	3.7/0.146	M5	10-24UNC	46.7/1.839	4.0/0.157		20.6/0.811		
32	44.5/1.752	57.0/2.244	4.3/0.169	M5	1/4-20UNC	53.4/2.102	4.0/0.157		22.2/0.874		
36	49.2/1.937	63.5/2.500	4.3/0.169	M5	1/4-20UNC	59.6/2.346	4.0/0.157		22.2/0.874		
40	55.5/2.185	69.9/2.752	4.3/0.169	M5	1/4-20UNC	65.5/2.579	4.0/0.157		22.2/0.874		

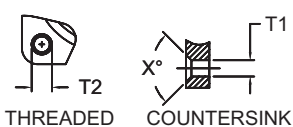
DIMENSIONS IN ITALIC ARE INCHES.
* CONSULT FACTORY



SCPB00SLX* Environmental, no grommet

SCPB00SLX1* Environmental with grommet

MOUNTING HOLE OPTIONS



MOUNTING HOLE CODES

CODE	MOUNTING HOLE TYPE
None	Thru holes
FF	Metric thread
UN	UNC thread
FS	Thru holes W/ Metric C'Sink (X=90°)
FSM	Thru holes W/ UN C'Sink (X=82°)

TABLE 2: CABLE RANGE CODE

(XX) CABLE CODE	TYPE	P CABLE RANGE	A WRENCH FLATS
NO STRAIN RELIEF			
07R	PG7	2.0-5.0 / 0.08-0.20	15.0 / 0.591
07	PG7	3.0-6.5 / 0.12-0.26	15.0 / 0.591
09R	PG9	2.0-6.0 / 0.08-0.24	19.0 / 0.748
09	PG9	4.0-8.0 / 0.16-0.31	19.0 / 0.748
11R	PG11	3.0-7.0 / 0.12-0.28	22.0 / 0.866
11	PG11	5.0-10.0 / 0.20-0.39	22.0 / 0.866
13R	PG13.5	5.0-9.0 / 0.20-0.35	24.0 / 0.945
13	PG13.5	6.0-12.0 / 0.24-0.47	24.0 / 0.945
16R	PG16	7.0-12.0 / 0.28-0.47	27.0 / 1.063
16	PG16	10.0-14.0 / 0.39-0.55	27.0 / 1.063
21R	PG21	9.0-16.0 / 0.35-0.63	33.0 / 1.299
21	PG21	13.0-18.0 / 0.51-0.71	33.0 / 1.299
29R	PG29	12.0-20.0 / 0.47-0.79	42.0 / 1.654
29	PG29	18.0-25.0 / 0.71-0.98	42.0 / 1.654
36R	PG36	20.0-26.0 / 0.79-1.02	53.0 / 2.087
36	PG36	22.0-32.0 / 0.87-1.26	53.0 / 2.087
42	PG42	30.0-38.0 / 1.18-1.50	60.0 / 2.362
48	PG48	34.0-44.0 / 1.34-1.73	65.0 / 2.559

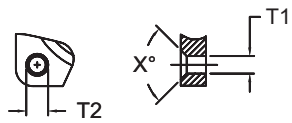
SHELL SIZE	FRONT VIEW			SIDE VIEW							
	R	S	T1	T2		A	K	L	M	* Dimension L is dependent on the backshell the cable range and the fitting used. Consult factory.	
	±0.1/±.004	±0.3/±.012	+0.1/+0.004 -0.0/-0.000	METRIC	UNC	+0.00/+0.000 -0.15/-0.006	±0.2/±0.008		+0.4/+0.016 -0.0/-0.000		
10SL	18.2/0.717	25.4/1.000	3.2/0.126	M4	8-32UNC	18.2/0.717	2.8/0.110		14.2/0.559		
14S	23.0/0.906	30.0/1.181	3.2/0.126	M4	8-32UNC	24.6/0.969	3.2/0.126		14.2/0.559		
16S	24.6/0.969	32.5/1.280	3.2/0.126	M4	8-32UNC	27.4/1.079	3.2/0.126		14.2/0.559		
16	24.6/0.969	32.5/1.280	3.2/0.126	M4	8-32UNC	27.4/1.079	3.2/0.126		19.0/0.748		
18	27.0/1.063	35.0/1.378	3.2/0.126	M4	8-32UNC	30.8/1.213	4.0/0.157		19.0/0.748		
20	29.4/1.157	38.0/1.496	3.2/0.126	M4	8-32UNC	34.2/1.346	4.0/0.157		19.0/0.748		
22	31.8/1.252	41.0/1.614	3.2/0.126	M4	8-32UNC	37.4/1.472	4.0/0.157		19.0/0.748		
24	34.9/1.374	44.5/1.752	3.7/0.146	M4	10-24UNC	40.9/1.610	4.0/0.157		20.6/0.811		
28	39.7/1.563	50.8/2.000	3.7/0.146	M5	10-24UNC	46.7/1.839	4.0/0.157		20.6/0.811		
32	44.5/1.752	57.0/2.244	4.3/0.169	M5	1/4-20UNC	53.4/2.102	4.0/0.157		22.2/0.874		
36	49.2/1.937	63.5/2.500	4.3/0.169	M5	1/4-20UNC	59.6/2.346	4.0/0.157		22.2/0.874		
40	55.5/2.185	69.9/2.752	4.3/0.169	M5	1/4-20UNC	65.5/2.579	4.0/0.157		22.2/0.874		

DIMENSIONS IN ITALIC ARE INCHES.
* CONSULT FACTORY

WALL MOUNT RECEPTACLE

00STG*/00ST*

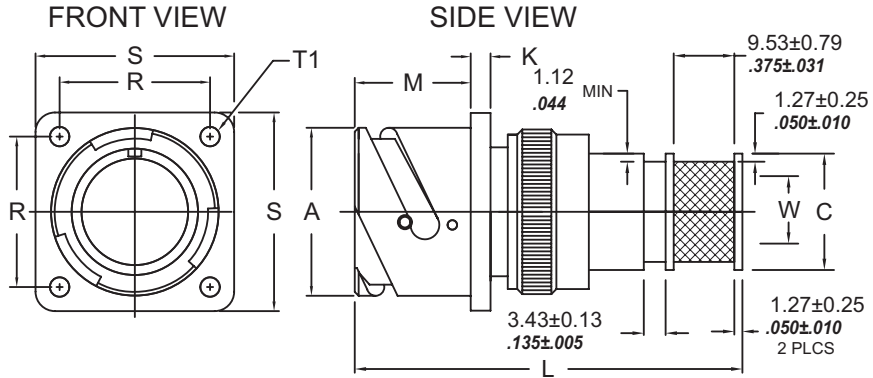
MOUNTING HOLE OPTIONS



THREADED COUNTERSINK

MOUNTING HOLE CODES

CODE	MOUNTING HOLE TYPE
None	Thru holes
FF	Metric thread
UN	UNC thread
FS	Thru holes W/ Metric C'Sink (X=90°)
FSM	Thru holes W/ UN C'Sink (X=82°)



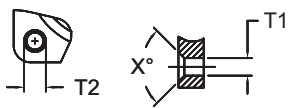
SCPB00STG* Environmental, no grommet with spin coupling nut backshell
 SCPB00ST* Environmental with grommet with spin coupling nut backshell

SHELL SIZE	FRONT VIEW					SIDE VIEW					
	R	S	T1	T2		A	C	K	L	M	W
	±0.1/±.004	±0.3/±.012	+0.1/+ .004 -0.0/- .000	THREAD		+0.00/+ .000 -0.15/- .006	MAX	±0.2/±.008	MAX	+0.4/ +.016 -0.0/ -.000	MIN
			METRIC	UNC							
10SL	18.2/0.717	25.4/1.000	3.2/0.126	M4	8-32UNC	18.2/0.717	12.70/0.500	2.8/0.110	61.0/2.400	14.2/0.559	7.92/0.312
14S	23.0/0.906	30.0/1.181	3.2/0.126	M4	8-32UNC	24.6/0.969	16.00/0.630	3.2/0.126	61.6/2.425	14.3/0.563	11.18/0.440
16S	24.6/0.969	32.5/1.280	3.2/0.126	M4	8-32UNC	27.4/1.079	17.78/0.700	3.2/0.126	61.0/2.400	14.0/0.551	12.70/0.500
16	24.6/0.969	32.5/1.280	3.2/0.126	M4	8-32UNC	27.4/1.079	17.78/0.700	3.2/0.126	66.7/2.625	19.0/0.748	12.70/0.500
18	27.0/1.063	35.0/1.378	3.2/0.126	M4	8-32UNC	30.8/1.213	20.57/0.810	4.0/0.157	66.7/2.625	19.1/0.752	15.87/0.625
20	29.4/1.157	38.0/1.496	3.2/0.126	M4	8-32UNC	34.2/1.346	20.57/0.810	4.0/0.157	66.7/2.625	19.1/0.752	15.87/0.625
22	31.8/1.252	41.0/1.614	3.2/0.126	M4	8-32UNC	37.4/1.472	22.10/0.870	4.0/0.157	66.7/2.625	19.0/0.748	17.53/0.690
24	34.9/1.374	44.5/1.752	3.7/0.146	M4	10-24UNC	40.9/1.610	23.87/0.940	4.0/0.157	68.6/2.700	20.6/0.811	19.05/0.750
28	39.7/1.563	50.8/2.000	3.7/0.146	M5	10-24UNC	46.7/1.839	26.90/1.060	4.0/0.157	68.6/2.700	20.6/0.811	22.23/0.875
32	44.5/1.752	57.0/2.244	4.3/0.169	M5	1/4-20UNC	53.4/2.102	CONSULT SALES	4.0/0.157	CONSULT SALES	22.2/0.874	CONSULT SALES
36	49.2/1.937	63.5/2.500	4.3/0.169	M5	1/4-20UNC	59.6/2.346		4.0/0.157		22.2/0.874	
40	55.5/2.185	69.9/2.752	4.3/0.169	M5	1/4-20UNC	65.5/2.579		4.0/0.157		22.2/0.874	

DIMENSIONS IN ITALIC ARE INCHES.

00SUG*/00SU*

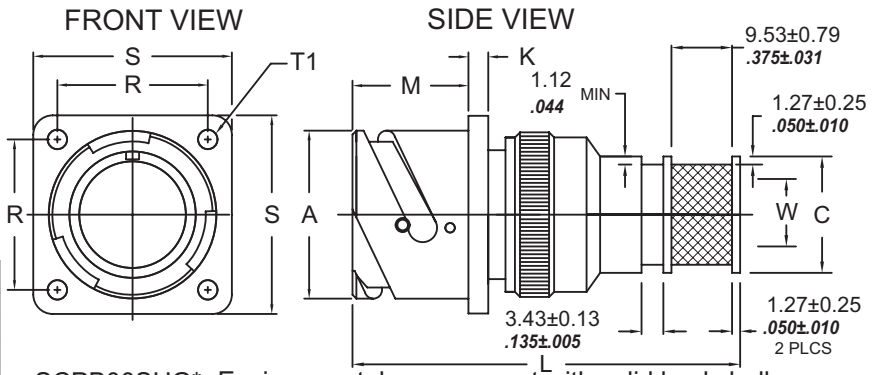
MOUNTING HOLE OPTIONS



THREADED COUNTERSINK

MOUNTING HOLE CODES

CODE	MOUNTING HOLE TYPE
None	Thru holes
FF	Metric thread
UN	UNC thread
FS	Thru holes W/ Metric C'Sink (X=90°)
FSM	Thru holes W/ UN C'Sink (X=82°)



SCPB00SUG* Environmental, no grommet with solid backshell
 SCPB00SU* Environmental with grommet with solid backshell

SHELL SIZE	FRONT VIEW					SIDE VIEW					
	R	S	T1	T2		A	C	K	L	M	W
	±0.1/±.004	±0.3/±.012	+0.1/+ .004 -0.0/- .000	THREAD		+0.00/+ .000 -0.15/- .006	±0.08/±.003	±0.2/±.008	MAX	+0.4/ +.016 -0.0/ -.000	±0.13/±.005
			METRIC	UNC							
10SL	18.2/0.717	25.4/1.000	3.2/0.126	M4	8-32UNC	18.2/0.717	12.70/0.500	2.8/0.110	61.0/2.400	14.2/0.559	7.92/0.312
14S	23.0/0.906	30.0/1.181	3.2/0.126	M4	8-32UNC	24.6/0.969	16.00/0.630	3.2/0.126	61.6/2.425	14.3/0.563	11.18/0.440
16S	24.6/0.969	32.5/1.280	3.2/0.126	M4	8-32UNC	27.4/1.079	17.78/0.700	3.2/0.126	61.0/2.400	14.0/0.551	12.70/0.500
16	24.6/0.969	32.5/1.280	3.2/0.126	M4	8-32UNC	27.4/1.079	17.78/0.700	3.2/0.126	66.7/2.625	19.0/0.748	12.70/0.500
18	27.0/1.063	35.0/1.378	3.2/0.126	M4	8-32UNC	30.8/1.213	20.57/0.810	4.0/0.157	66.7/2.625	19.1/0.752	15.87/0.625
20	29.4/1.157	38.0/1.496	3.2/0.126	M4	8-32UNC	34.2/1.346	20.57/0.810	4.0/0.157	66.7/2.625	19.1/0.752	15.87/0.625
22	31.8/1.252	41.0/1.614	3.2/0.126	M4	8-32UNC	37.4/1.472	22.10/0.870	4.0/0.157	66.7/2.625	19.0/0.748	17.53/0.690
24	34.9/1.374	44.5/1.752	3.7/0.146	M4	10-24UNC	40.9/1.610	23.87/0.940	4.0/0.157	68.6/2.700	20.6/0.811	19.05/0.750
28	39.7/1.563	50.8/2.000	3.7/0.146	M5	10-24UNC	46.7/1.839	26.90/1.060	4.0/0.157	68.6/2.700	20.6/0.811	22.23/0.875
32	44.5/1.752	57.0/2.244	4.3/0.169	M5	1/4-20UNC	53.4/2.102	CONSULT SALES	4.0/0.157	CONSULT SALES	22.2/0.874	CONSULT SALES
36	49.2/1.937	63.5/2.500	4.3/0.169	M5	1/4-20UNC	59.6/2.346		4.0/0.157		22.2/0.874	
40	55.5/2.185	69.9/2.752	4.3/0.169	M5	1/4-20UNC	65.5/2.579		4.0/0.157		22.2/0.874	

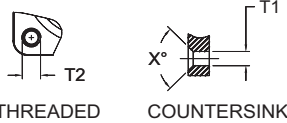
DIMENSIONS IN ITALIC ARE INCHES.

WALL MOUNT RECEPTACLE

OOSV*

1C

MOUNTING HOLE OPTIONS

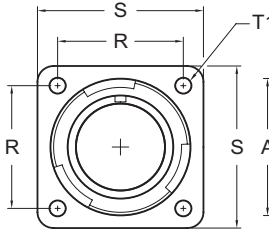


THREADED COUNTERSINK

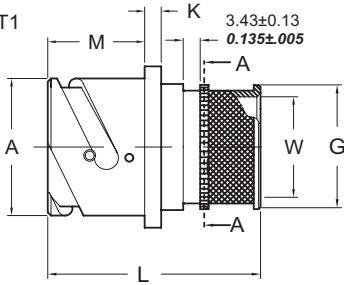
MOUNTING HOLE CODES

CODE	MOUNTING HOLE TYPE
None	Thru holes
FF	Metric thread
UN	UNC thread
FS	Thru holes W/ Metric C'Sink (X=90°)
FSM	Thru holes W/ UN C'Sink (X=82°)

FRONT VIEW



SIDE VIEW



SHELL SIZES:
10SL, 14S & 16S
6.35±0.13
0.250±.005
FOR .125 BAND

SHELL SIZES:
16-40
9.14±0.13
0.360±.005
FOR .240 BAND

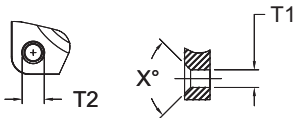
SCPB00SV* Environmental, no grommet

SHELL SIZE	FRONT VIEW					SIDE VIEW							
	R ±0.1/±.004	S ±0.3/±.012	T1 +0.1/+0.004 -0.0/-0.000	T2 THREAD		A +0.00/+0.000 -0.15/-0.006	G MAX	K ±0.2/±.008	L MAX	M +0.4/+0.016 -0.0/-0.000	W MIN	X ±0.4/±.016	
				METRIC	UNC							.240 BAND	.120 BAND
10SL	18.2/0.717	25.4/1.000	3.2/0.126	M4	8-32UNC	18.2/0.717	16.1/0.632	2.8/0.110	33.53/1.320	14.2/0.559	12.1/0.475	-	5.8/0.230
14S	23.0/0.906	30.0/1.181	3.2/0.126	M4	8-32UNC	24.6/0.969	19.2/0.755	3.2/0.126	33.53/1.320	14.3/0.563	15.4/0.605	-	5.8/0.230
16S	24.6/0.969	32.5/1.280	3.2/0.126	M4	8-32UNC	27.4/1.079	22.4/0.880	3.2/0.126	33.53/1.320	14.0/0.551	18.7/0.735	-	5.8/0.230
16	24.6/0.969	32.5/1.280	3.2/0.126	M4	8-32UNC	27.4/1.079	22.4/0.880	3.2/0.126	42.80/1.685	19.0/0.748	18.7/0.735	3.7/0.145	-
18	27.0/1.063	35.0/1.378	3.2/0.126	M4	8-32UNC	30.8/1.213	25.5/1.005	4.0/0.157	42.80/1.685	19.1/0.752	21.9/0.860	3.7/0.145	-
20	29.4/1.157	38.0/1.496	3.2/0.126	M4	8-32UNC	34.2/1.346	28.7/1.130	4.0/0.157	42.80/1.685	19.1/0.752	24.8/0.975	3.7/0.145	-
22	31.8/1.252	41.0/1.614	3.2/0.126	M4	8-32UNC	37.4/1.472	31.9/1.255	4.0/0.157	42.80/1.685	19.0/0.748	28.1/1.105	3.7/0.145	-
24	34.9/1.374	44.5/1.752	3.7/0.146	M4	10-24UNC	40.9/1.610	35.1/1.380	4.0/0.157	42.80/1.685	20.6/0.811	31.2/1.230	3.7/0.145	-
28	39.7/1.563	50.8/2.000	3.7/0.146	M5	10-24UNC	46.7/1.839	41.4/1.630	4.0/0.157	43.82/1.725	20.6/0.811	35.9/1.415	4.7/0.185	-
32	44.5/1.752	57.0/2.244	4.3/0.169	M5	1/4-20UNC	53.4/2.102	47.8/1.880	4.0/0.157	43.82/1.725	22.2/0.874	43.1/1.695	4.7/0.185	-
36	49.2/1.937	63.5/2.500	4.3/0.169	M5	1/4-20UNC	59.6/2.346	52.5/2.067	4.0/0.157	43.82/1.725	22.2/0.874	48.0/1.890	4.7/0.185	-
40	55.5/2.185	69.9/2.752	4.3/0.169	M5	1/4-20UNC	65.5/2.579	58.9/2.317	4.0/0.157	43.82/1.725	22.2/0.874	53.8/2.120	4.7/0.185	-

DIMENSIONS IN ITALIC ARE INCHES.

OOTRAC*

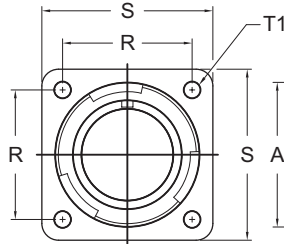
MOUNTING HOLE OPTIONS



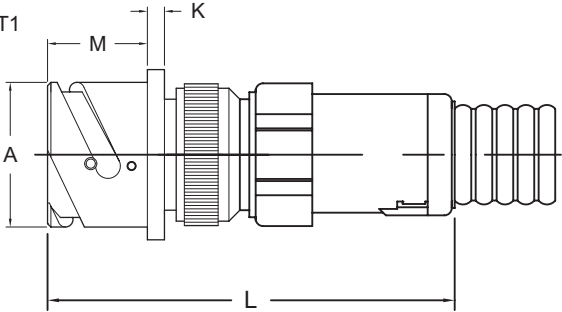
THREADED COUNTERSINK
MOUNTING HOLE CODES

CODE	MOUNTING HOLE TYPE
None	Thru holes
FF	Metric thread
UN	UNC thread
FS	Thru holes W/ Metric C'Sink (X=90°)
FSM	Thru holes W/ UN C'Sink (X=82°)

FRONT VIEW



SIDE VIEW



SCPB00TRAC* Environmental with grommet

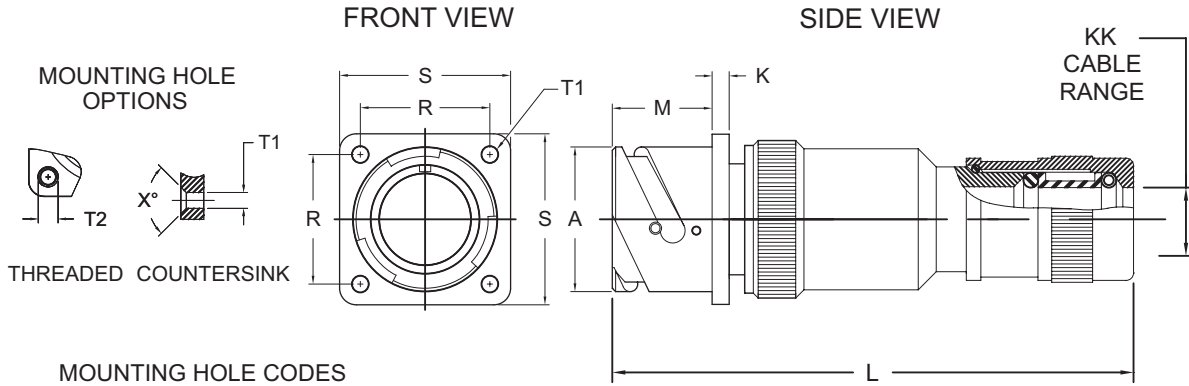
SHELL SIZE	FRONT VIEW					SIDE VIEW			
	R ±0.1/±.004	S ±0.3/±.012	T1 +0.1/+0.004 -0.0/-0.000	T2 THREAD		A +0.00/+0.000 -0.15/-0.006	K ±0.2/±.008	L	M +0.4/+0.016 -0.0/-0.000
				METRIC	UNC				
10SL	18.2/0.717	25.4/1.000	3.2/0.126	M4	8-32UNC	18.2/0.717	2.8/0.110	14.2/0.559	
14S	23.0/0.906	30.0/1.181	3.2/0.126	M4	8-32UNC	24.6/0.969	3.2/0.126	14.3/0.563	
16S	24.6/0.969	32.5/1.280	3.2/0.126	M4	8-32UNC	27.4/1.079	3.2/0.126	14.0/0.551	
16	24.6/0.969	32.5/1.280	3.2/0.126	M4	8-32UNC	27.4/1.079	3.2/0.126	19.0/0.748	
18	27.0/1.063	35.0/1.378	3.2/0.126	M4	8-32UNC	30.8/1.213	4.0/0.157	19.1/0.752	
20	29.4/1.157	38.0/1.496	3.2/0.126	M4	8-32UNC	34.2/1.346	4.0/0.157	19.1/0.752	
22	31.8/1.252	41.0/1.614	3.2/0.126	M4	8-32UNC	37.4/1.472	4.0/0.157	19.0/0.748	
24	34.9/1.374	44.5/1.752	3.7/0.146	M4	10-24UNC	40.9/1.610	4.0/0.157	20.6/0.811	
28	39.7/1.563	50.8/2.000	3.7/0.146	M5	10-24UNC	46.7/1.839	4.0/0.157	20.6/0.811	
32	44.5/1.752	57.0/2.244	4.3/0.169	M5	1/4-20UNC	53.4/2.102	4.0/0.157	22.2/0.874	
36	49.2/1.937	63.5/2.500	4.3/0.169	M5	1/4-20UNC	59.6/2.346	4.0/0.157	22.2/0.874	
40	55.5/2.185	69.9/2.752	4.3/0.169	M5	1/4-20UNC	65.5/2.579	4.0/0.157	22.2/0.874	

* Dimension L is dependent on the backshell used, the cable range and the fitting used. Consult factory.

DIMENSIONS IN ITALIC ARE INCHES.

WALL MOUNT RECEPTACLE

00WK*/00WKG*



MOUNTING HOLE CODES

CODE	MOUNTING HOLE TYPE
None	Thru holes
FF	Metric thread
UN	UNC thread
FS	Thru holes W/ Metric C'Sink ($X=90^\circ$)
FSM	Thru holes W/ UN C'Sink ($X=82^\circ$)

SCPB00WK* Environmental with grommet
 SCPB00WKG* Environmental, no grommet

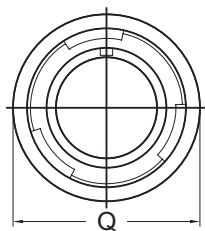
SHELL SIZE	FRONT VIEW					SIDE VIEW				(**) CABLE RANGE CODE	KK	
	R $\pm 0.1 / \pm 0.04$	S $\pm 0.3 / \pm 0.12$	T1 $+0.1 / +.004$ $-0.0 / -.000$	T2 THREAD		A $+0.00 / +.000$ $-0.15 / -.006$	K $\pm 0.2 / \pm 0.08$	L MAX	M $+0.4 / +.016$ $-0.0 / -.000$		MIN	MAX
				METRIC	UNC							
10SL	18.2 / <i>0.717</i>	25.4 / <i>1.000</i>	3.2 / <i>0.126</i>	M4	8-32UNC	18.2 / <i>0.717</i>	2.8 / <i>0.110</i>	111 / <i>4.370</i>	14.2 / <i>0.559</i>	01	1.59 / <i>0.063</i>	3.18 / <i>0.125</i>
14S	23.0 / <i>0.906</i>	30.0 / <i>1.181</i>	3.2 / <i>0.126</i>	M4	8-32UNC	24.6 / <i>0.969</i>	3.2 / <i>0.126</i>	112 / <i>4.409</i>	14.3 / <i>0.563</i>	02	3.18 / <i>0.125</i>	6.35 / <i>0.250</i>
16S	24.6 / <i>0.969</i>	32.5 / <i>1.280</i>	3.2 / <i>0.126</i>	M4	8-32UNC	27.4 / <i>1.079</i>	3.2 / <i>0.126</i>	100 / <i>3.937</i>	14.0 / <i>0.551</i>	03	6.35 / <i>0.250</i>	9.53 / <i>0.375</i>
16	24.6 / <i>0.969</i>	32.5 / <i>1.280</i>	3.2 / <i>0.126</i>	M4	8-32UNC	27.4 / <i>1.079</i>	3.2 / <i>0.126</i>	110 / <i>4.331</i>	19.0 / <i>0.748</i>	04	9.53 / <i>0.375</i>	12.7 / <i>0.500</i>
18	27.0 / <i>1.063</i>	35.0 / <i>1.378</i>	3.2 / <i>0.126</i>	M4	8-32UNC	30.8 / <i>1.213</i>	4.0 / <i>0.157</i>	127 / <i>5.000</i>	19.1 / <i>0.752</i>	05	12.7 / <i>0.500</i>	15.88 / <i>0.625</i>
20	29.4 / <i>1.157</i>	38.0 / <i>1.496</i>	3.2 / <i>0.126</i>	M4	8-32UNC	34.2 / <i>1.346</i>	4.0 / <i>0.157</i>	127 / <i>5.000</i>	19.1 / <i>0.752</i>	06	15.88 / <i>0.625</i>	19.05 / <i>0.750</i>
22	31.8 / <i>1.252</i>	41.0 / <i>1.614</i>	3.2 / <i>0.126</i>	M4	8-32UNC	37.4 / <i>1.472</i>	4.0 / <i>0.157</i>	133 / <i>5.236</i>	19.0 / <i>0.748</i>	07	19.05 / <i>0.750</i>	22.23 / <i>0.875</i>
24	34.9 / <i>1.374</i>	44.5 / <i>1.752</i>	3.7 / <i>0.146</i>	M4	10-24UNC	40.9 / <i>1.610</i>	4.0 / <i>0.157</i>	134 / <i>5.276</i>	20.6 / <i>0.811</i>	08	22.23 / <i>0.875</i>	25.4 / <i>1.000</i>
28	39.7 / <i>1.563</i>	50.8 / <i>2.000</i>	3.7 / <i>0.146</i>	M5	10-24UNC	46.7 / <i>1.839</i>	4.0 / <i>0.157</i>	134 / <i>5.276</i>	20.6 / <i>0.811</i>	09	25.4 / <i>1.000</i>	28.58 / <i>1.125</i>
32	44.5 / <i>1.752</i>	57.0 / <i>2.244</i>	4.3 / <i>0.169</i>	M5	1/4-20UNC	53.4 / <i>2.102</i>	4.0 / <i>0.157</i>	136 / <i>5.354</i>	22.2 / <i>0.874</i>	10	28.58 / <i>1.125</i>	31.75 / <i>1.250</i>
36	49.2 / <i>1.937</i>	63.5 / <i>2.500</i>	4.3 / <i>0.169</i>	M5	1/4-20UNC	59.6 / <i>2.346</i>	4.0 / <i>0.157</i>	136 / <i>5.354</i>	22.2 / <i>0.874</i>	11	31.75 / <i>1.250</i>	34.93 / <i>1.375</i>
40	55.5 / <i>2.185</i>	69.9 / <i>2.752</i>	4.3 / <i>0.169</i>	M5	1/4-20UNC	65.5 / <i>2.579</i>	4.0 / <i>0.157</i>	136 / <i>5.354</i>	22.2 / <i>0.874</i>	12	34.93 / <i>1.375</i>	38.1 / <i>1.500</i>
										13	38.1 / <i>1.500</i>	41.23 / <i>1.623</i>
										14	41.23 / <i>1.623</i>	44.45 / <i>1.750</i>
										15	44.45 / <i>1.750</i>	47.63 / <i>1.875</i>
										16	47.63 / <i>1.875</i>	50.8 / <i>2.000</i>

DIMENSIONS IN ITALIC ARE INCHES.

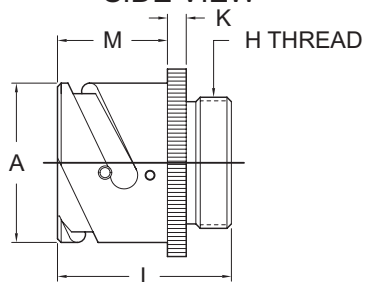
1. DIMENSION L WILL VARY FROM THE VALUES INDICATED WITH ESCALATING OR DE-ESCALATING BACKSHELLS AND SOME SPECIAL INSERT CONFIGURATIONS.

(**) Cable Range must be specified as part of the connector part number using Cable Range Code.

FRONT VIEW



SIDE VIEW



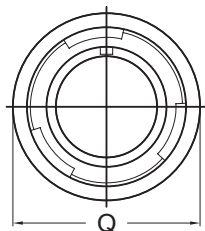
SCPB01-* Non-environmental

SHELL SIZE	FRONT VIEW	SIDE VIEW				
	Q MAX	A +0.00/+0.000 -0.15/-0.006	H THREAD CLASS 2A	K ±0.2/±0.008	L ±0.3/±0.012	M +0.4/+0.016 -0.0/-0.000
10SL	22.5/ <i>0.886</i>	18.2/ <i>0.717</i>	5/8-24 UNEF	2.8/ <i>0.110</i>	27.6/ <i>1.087</i>	14.2/ <i>0.559</i>
14S	29.5/ <i>1.161</i>	24.6/ <i>0.969</i>	3/4-20 UNEF	3.2/ <i>0.126</i>	27.6/ <i>1.087</i>	14.2/ <i>0.559</i>
16S	31.5/ <i>1.240</i>	27.4/ <i>1.079</i>	7/8-20 UNEF	3.2/ <i>0.126</i>	27.6/ <i>1.087</i>	14.2/ <i>0.559</i>
16	31.5/ <i>1.240</i>	27.4/ <i>1.079</i>	7/8-20 UNEF	3.2/ <i>0.126</i>	33.8/ <i>1.331</i>	19.0/ <i>0.748</i>
18	34.5/ <i>1.358</i>	30.8/ <i>1.213</i>	1-20 UNEF	4.0/ <i>0.157</i>	33.8/ <i>1.331</i>	19.0/ <i>0.748</i>
20	37.5/ <i>1.476</i>	34.2/ <i>1.346</i>	1 1/8-18 UNEF	4.0/ <i>0.157</i>	33.8/ <i>1.331</i>	19.0/ <i>0.748</i>
22	40.5/ <i>1.594</i>	37.4/ <i>1.472</i>	1 1/4-18 UNEF	4.0/ <i>0.157</i>	33.8/ <i>1.331</i>	19.0/ <i>0.748</i>
24	44.5/ <i>1.752</i>	40.9/ <i>1.610</i>	1 3/8-18 UNEF	4.0/ <i>0.157</i>	35.8/ <i>1.409</i>	20.6/ <i>0.811</i>
28	50.0/ <i>1.969</i>	46.7/ <i>1.839</i>	1 5/8-18 UNEF	4.0/ <i>0.157</i>	35.8/ <i>1.409</i>	20.6/ <i>0.811</i>
32	56.5/ <i>2.224</i>	53.4/ <i>2.102</i>	1 7/8-16 UN	4.0/ <i>0.157</i>	37.3/ <i>1.469</i>	22.2/ <i>0.874</i>
36	63.0/ <i>2.480</i>	59.6/ <i>2.346</i>	2 1/16-16 UN	4.0/ <i>0.157</i>	37.3/ <i>1.469</i>	22.2/ <i>0.874</i>
40	69.0/ <i>2.717</i>	65.5/ <i>2.579</i>	2 5/16-16 UNS	4.0/ <i>0.157</i>	37.3/ <i>1.469</i>	22.2/ <i>0.874</i>

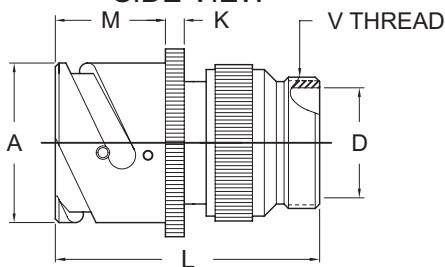
DIMENSIONS IN ITALIC ARE INCHES.

01A*/01R*

FRONT VIEW



SIDE VIEW



SCPB01A* Non-environmental, no grommet
SCPB01R* Environmental with grommet

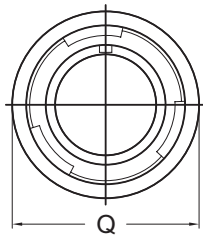
SHELL SIZE	FRONT VIEW	SIDE VIEW					
	Q MAX	A +0.00/+0.000 -0.15/-0.006	D MIN.	K ±0.2/±0.008	L MAX.	M +0.4/+0.016 -0.0/-0.000	V THREAD CLASS 2A
10SL	22.5/ <i>0.886</i>	18.2/ <i>0.717</i>	8.2/ <i>0.323</i>	2.8/ <i>0.110</i>	43/ <i>1.693</i>	14.2/ <i>0.559</i>	5/8-24 UNEF
14S	29.5/ <i>1.161</i>	24.6/ <i>0.969</i>	11.1/ <i>0.437</i>	3.2/ <i>0.126</i>	47/ <i>1.850</i>	14.2/ <i>0.559</i>	3/4-20 UNEF
16S	31.5/ <i>1.240</i>	27.4/ <i>1.079</i>	14.3/ <i>0.563</i>	3.2/ <i>0.126</i>	47/ <i>1.850</i>	14.2/ <i>0.559</i>	7/8-20 UNEF
16	31.5/ <i>1.240</i>	27.4/ <i>1.079</i>	14.3/ <i>0.563</i>	3.2/ <i>0.126</i>	58/ <i>2.283</i>	19.0/ <i>0.748</i>	7/8-20 UNEF
18	34.5/ <i>1.358</i>	30.8/ <i>1.213</i>	16.7/ <i>0.657</i>	4.0/ <i>0.157</i>	58/ <i>2.283</i>	19.0/ <i>0.748</i>	1-20 UNEF
20	37.5/ <i>1.476</i>	34.2/ <i>1.346</i>	19.8/ <i>0.780</i>	4.0/ <i>0.157</i>	58/ <i>2.283</i>	19.0/ <i>0.748</i>	1 3/16-18 UNEF
22	40.5/ <i>1.594</i>	37.4/ <i>1.472</i>	19.8/ <i>0.780</i>	4.0/ <i>0.157</i>	59/ <i>2.323</i>	19.0/ <i>0.748</i>	1 3/16-18 UNEF
24	44.5/ <i>1.752</i>	40.9/ <i>1.610</i>	25.4/ <i>1.000</i>	4.0/ <i>0.157</i>	61/ <i>2.402</i>	20.6/ <i>0.811</i>	1 7/16-18 UNEF
28	50.0/ <i>1.969</i>	46.7/ <i>1.839</i>	27.0/ <i>1.063</i>	4.0/ <i>0.157</i>	67/ <i>2.638</i>	20.6/ <i>0.811</i>	1 7/16-18 UNEF
32	56.5/ <i>2.224</i>	53.4/ <i>2.102</i>	32.5/ <i>1.280</i>	4.0/ <i>0.157</i>	71/ <i>2.795</i>	22.2/ <i>0.874</i>	1 3/4-18 UNS
36	63.0/ <i>2.480</i>	59.6/ <i>2.346</i>	35.7/ <i>1.406</i>	4.0/ <i>0.157</i>	72/ <i>2.835</i>	22.2/ <i>0.874</i>	2-18 UNS
40	69.0/ <i>2.717</i>	65.5/ <i>2.579</i>	45.0/ <i>1.772</i>	4.0/ <i>0.157</i>	86/ <i>3.386</i>	22.2/ <i>0.874</i>	2 1/4-16 UN

DIMENSIONS IN ITALIC ARE INCHES.

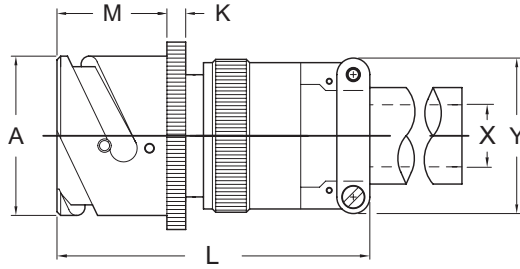
IN-LINE RECEPTACLE

01AE*/01E*

FRONT VIEW



SIDE VIEW



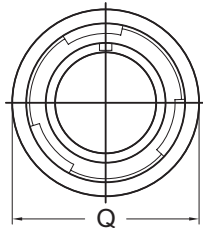
SCP01AE* Non-environmental, no grommet
SCP01E* Environmental with grommet

SHELL SIZE	FRONT VIEW	SIDE VIEW					
	Q MAX	A +0.00/ +.000 -0.15/ -.006	K ±0.2/ ±.008	L MAX	M +0.4/ +.016 -0.0/ -.000	X MIN	Y MAX
10SL	22.5/ <i>0.886</i>	18.2/ <i>0.717</i>	2.8/ <i>0.110</i>	64/ <i>2.520</i>	14.2/ <i>0.559</i>	6.5/ <i>0.256</i>	22.7/ <i>0.894</i>
14S	29.5/ <i>1.161</i>	24.6/ <i>0.969</i>	3.2/ <i>0.126</i>	69/ <i>2.717</i>	14.2/ <i>0.559</i>	9.0/ <i>0.354</i>	27.5/ <i>1.083</i>
16S	31.5/ <i>1.240</i>	27.4/ <i>1.079</i>	3.2/ <i>0.126</i>	71/ <i>2.795</i>	14.2/ <i>0.559</i>	11.0/ <i>0.433</i>	30.0/ <i>1.181</i>
16	31.5/ <i>1.240</i>	27.4/ <i>1.079</i>	3.2/ <i>0.126</i>	82/ <i>3.228</i>	19.0/ <i>0.748</i>	11.0/ <i>0.433</i>	30.0/ <i>1.181</i>
18	34.5/ <i>1.358</i>	30.8/ <i>1.213</i>	4.0/ <i>0.157</i>	82/ <i>3.228</i>	19.0/ <i>0.748</i>	14.2/ <i>0.559</i>	32.2/ <i>1.268</i>
20	37.5/ <i>1.476</i>	34.2/ <i>1.346</i>	4.0/ <i>0.157</i>	82/ <i>3.228</i>	19.0/ <i>0.748</i>	15.8/ <i>0.622</i>	37.5/ <i>1.476</i>
22	40.5/ <i>1.594</i>	37.4/ <i>1.472</i>	4.0/ <i>0.157</i>	83/ <i>3.268</i>	19.0/ <i>0.748</i>	15.8/ <i>0.622</i>	37.5/ <i>1.476</i>
24	44.5/ <i>1.752</i>	40.9/ <i>1.610</i>	4.0/ <i>0.157</i>	87/ <i>3.425</i>	20.6/ <i>0.811</i>	21.4/ <i>0.843</i>	43.3/ <i>1.705</i>
28	50.0/ <i>1.969</i>	46.7/ <i>1.839</i>	4.0/ <i>0.157</i>	93/ <i>3.661</i>	20.6/ <i>0.811</i>	21.4/ <i>0.843</i>	43.3/ <i>1.705</i>
32	56.5/ <i>2.224</i>	53.4/ <i>2.102</i>	4.0/ <i>0.157</i>	99/ <i>3.898</i>	22.2/ <i>0.874</i>	26.7/ <i>1.051</i>	51.7/ <i>2.035</i>
36	63.0/ <i>2.480</i>	59.6/ <i>2.346</i>	4.0/ <i>0.157</i>	100/ <i>3.937</i>	22.2/ <i>0.874</i>	31.7/ <i>1.248</i>	58.0/ <i>2.283</i>
40	69.0/ <i>2.717</i>	65.5/ <i>2.579</i>	4.0/ <i>0.157</i>	128/ <i>5.039</i>	22.2/ <i>0.874</i>	34.9/ <i>1.374</i>	65.5/ <i>2.579</i>

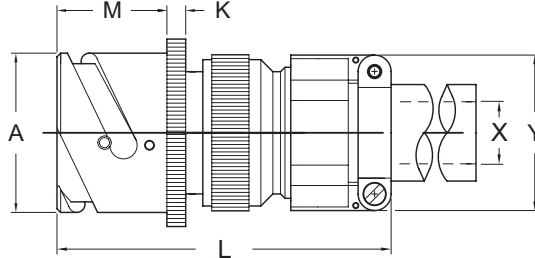
DIMENSIONS IN ITALIC ARE INCHES.

01AF*/01F*

FRONT VIEW



SIDE VIEW



SCP01AF* Non-environmental, no grommet
SCP01F* Environmental with grommet

SHELL SIZE	FRONT VIEW	SIDE VIEW					
	Q MAX	A +0.00/ +.000 -0.15/ -.006	K ±0.2/ ±.008	L MAX	M +0.4/ +.016 -0.0/ -.000	X MIN	Y MAX
10SL	22.5/ <i>0.886</i>	18.2/ <i>0.717</i>	2.8/ <i>0.110</i>	64/ <i>2.520</i>	14.2/ <i>0.559</i>	6.5/ <i>0.256</i>	22.7/ <i>0.894</i>
14S	29.5/ <i>1.161</i>	24.6/ <i>0.969</i>	3.2/ <i>0.126</i>	69/ <i>2.717</i>	14.2/ <i>0.559</i>	9.0/ <i>0.354</i>	27.5/ <i>1.083</i>
16S	31.5/ <i>1.240</i>	27.4/ <i>1.079</i>	3.2/ <i>0.126</i>	71/ <i>2.795</i>	14.2/ <i>0.559</i>	11.0/ <i>0.433</i>	30.0/ <i>1.181</i>
16	31.5/ <i>1.240</i>	27.4/ <i>1.079</i>	3.2/ <i>0.126</i>	82/ <i>3.228</i>	19.0/ <i>0.748</i>	11.0/ <i>0.433</i>	30.0/ <i>1.181</i>
18	34.5/ <i>1.358</i>	30.8/ <i>1.213</i>	4.0/ <i>0.157</i>	82/ <i>3.228</i>	19.0/ <i>0.748</i>	14.2/ <i>0.559</i>	32.2/ <i>1.268</i>
20	37.5/ <i>1.476</i>	34.2/ <i>1.346</i>	4.0/ <i>0.157</i>	82/ <i>3.228</i>	19.0/ <i>0.748</i>	15.8/ <i>0.622</i>	37.5/ <i>1.476</i>
22	40.5/ <i>1.594</i>	37.4/ <i>1.472</i>	4.0/ <i>0.157</i>	83/ <i>3.268</i>	19.0/ <i>0.748</i>	15.8/ <i>0.622</i>	37.5/ <i>1.476</i>
24	44.5/ <i>1.752</i>	40.9/ <i>1.610</i>	4.0/ <i>0.157</i>	87/ <i>3.425</i>	20.6/ <i>0.811</i>	21.4/ <i>0.843</i>	43.3/ <i>1.705</i>
28	50.0/ <i>1.969</i>	46.7/ <i>1.839</i>	4.0/ <i>0.157</i>	93/ <i>3.661</i>	20.6/ <i>0.811</i>	21.4/ <i>0.843</i>	43.3/ <i>1.705</i>
32	56.5/ <i>2.224</i>	53.4/ <i>2.102</i>	4.0/ <i>0.157</i>	99/ <i>3.898</i>	22.2/ <i>0.874</i>	26.7/ <i>1.051</i>	51.7/ <i>2.035</i>
36	63.0/ <i>2.480</i>	59.6/ <i>2.346</i>	4.0/ <i>0.157</i>	100/ <i>3.937</i>	22.2/ <i>0.874</i>	31.7/ <i>1.248</i>	58.0/ <i>2.283</i>
40	69.0/ <i>2.717</i>	65.5/ <i>2.579</i>	4.0/ <i>0.157</i>	128/ <i>5.039</i>	22.2/ <i>0.874</i>	34.9/ <i>1.374</i>	65.5/ <i>2.579</i>

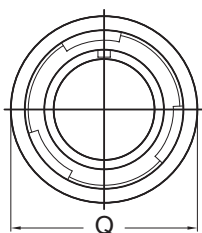
DIMENSIONS IN ITALIC ARE INCHES.

IN-LINE RECEPTACLE

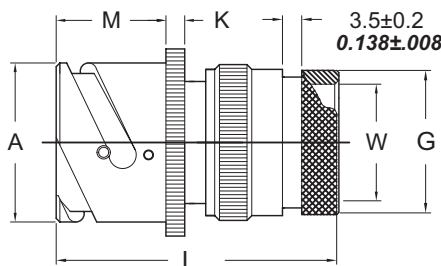
01AG*/01G*

1C

FRONT VIEW



SIDE VIEW

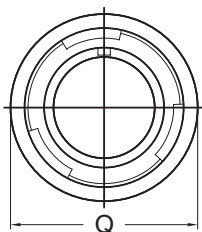


SCPB01AG* Environmental, no grommet
SCPB01G* Environmental with grommet

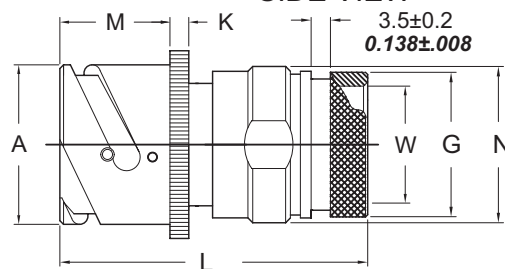
SHELL SIZE	FRONT VIEW	SIDE VIEW					
	Q MAX	A +0.00/ +.000 -0.15/ -.006	G ±0.2/ ±.008	K ±0.2/ ±.008	L MAX	M +0.4/ +.016 -0.0/ -.000	W MIN
10SL	22.5/ <i>0.886</i>	18.2/ <i>0.717</i>	15.5/ <i>0.610</i>	2.8/ <i>0.110</i>	48/ <i>1.890</i>	14.2/ <i>0.559</i>	8.5/ <i>0.335</i>
14S	29.5/ <i>1.161</i>	24.6/ <i>0.969</i>	19.1/ <i>0.752</i>	3.2/ <i>0.126</i>	48/ <i>1.890</i>	14.2/ <i>0.559</i>	12.0/ <i>0.472</i>
16S	31.5/ <i>1.240</i>	27.4/ <i>1.079</i>	23.9/ <i>0.941</i>	3.2/ <i>0.126</i>	48/ <i>1.890</i>	14.2/ <i>0.559</i>	14.5/ <i>0.571</i>
16	31.5/ <i>1.240</i>	27.4/ <i>1.079</i>	23.9/ <i>0.941</i>	3.2/ <i>0.126</i>	60/ <i>2.362</i>	19.0/ <i>0.748</i>	14.5/ <i>0.571</i>
18	34.5/ <i>1.358</i>	30.8/ <i>1.213</i>	23.9/ <i>0.941</i>	4.0/ <i>0.157</i>	60/ <i>2.362</i>	19.0/ <i>0.748</i>	17.5/ <i>0.689</i>
20	37.5/ <i>1.476</i>	34.2/ <i>1.346</i>	29.6/ <i>1.165</i>	4.0/ <i>0.157</i>	65/ <i>2.559</i>	19.0/ <i>0.748</i>	19.5/ <i>0.768</i>
22	40.5/ <i>1.594</i>	37.4/ <i>1.472</i>	29.6/ <i>1.165</i>	4.0/ <i>0.157</i>	65/ <i>2.559</i>	19.0/ <i>0.748</i>	22.0/ <i>0.866</i>
24	44.5/ <i>1.752</i>	40.9/ <i>1.610</i>	37.8/ <i>1.488</i>	4.0/ <i>0.157</i>	65/ <i>2.559</i>	20.6/ <i>0.811</i>	25.0/ <i>0.984</i>
28	50.0/ <i>1.969</i>	46.7/ <i>1.839</i>	37.8/ <i>1.488</i>	4.0/ <i>0.157</i>	65/ <i>2.559</i>	20.6/ <i>0.811</i>	29.0/ <i>1.142</i>
32	56.5/ <i>2.224</i>	53.4/ <i>2.102</i>	47.8/ <i>1.882</i>	4.0/ <i>0.157</i>	70/ <i>2.756</i>	22.2/ <i>0.874</i>	34.0/ <i>1.339</i>
36	63.0/ <i>2.480</i>	59.6/ <i>2.346</i>	47.8/ <i>1.882</i>	4.0/ <i>0.157</i>	75/ <i>2.953</i>	22.2/ <i>0.874</i>	38.5/ <i>1.516</i>
40	69.0/ <i>2.717</i>	65.5/ <i>2.579</i>	52.4/ <i>2.063</i>	4.0/ <i>0.157</i>	77/ <i>3.031</i>	22.2/ <i>0.874</i>	48.0/ <i>1.890</i>

DIMENSIONS IN ITALIC ARE INCHES.

FRONT VIEW



SIDE VIEW



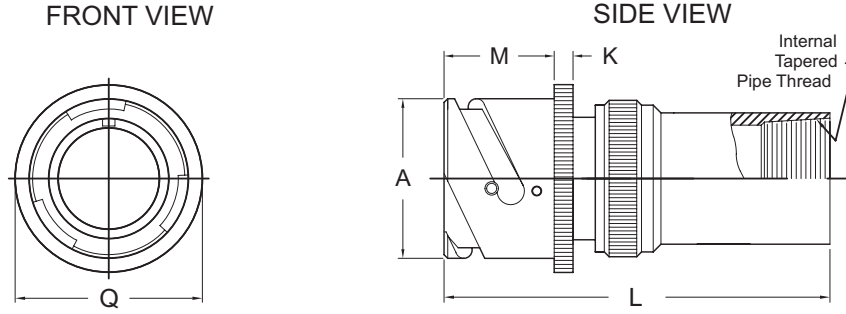
SCPB01AG2G* Environmental, no grommet
SCPB01G2G* Environmental with grommet

SHELL SIZE	FRONT VIEW	SIDE VIEW						
	Q MAX	A +0.00/ +.000 -0.15/ -.006	G ±0.2/ ±.008	K ±0.2/ ±.008	L APRX	M +0.4/ +.016 -0.0/ -.000	N MAX	W MIN
10SL	22.5/ <i>0.886</i>	18.2/ <i>0.717</i>	15.5/ <i>0.610</i>	2.8/ <i>0.110</i>	49.8/ <i>1.961</i>	14.2/ <i>0.559</i>	22/ <i>0.866</i>	8.5/ <i>0.335</i>
14S	29.5/ <i>1.161</i>	24.6/ <i>0.969</i>	19.1/ <i>0.752</i>	3.2/ <i>0.126</i>	49.8/ <i>1.961</i>	14.2/ <i>0.559</i>	25/ <i>0.984</i>	12.0/ <i>0.472</i>
16S	31.5/ <i>1.240</i>	27.4/ <i>1.079</i>	23.9/ <i>0.941</i>	3.2/ <i>0.126</i>	50.6/ <i>1.992</i>	14.2/ <i>0.559</i>	28/ <i>1.102</i>	14.5/ <i>0.571</i>
16	31.5/ <i>1.240</i>	27.4/ <i>1.079</i>	23.9/ <i>0.941</i>	3.2/ <i>0.126</i>	60.1/ <i>2.366</i>	19.0/ <i>0.748</i>	28/ <i>1.102</i>	14.5/ <i>0.571</i>
18	34.5/ <i>1.358</i>	30.8/ <i>1.213</i>	23.9/ <i>0.941</i>	4.0/ <i>0.157</i>	59.6/ <i>2.346</i>	19.0/ <i>0.748</i>	31/ <i>1.220</i>	17.5/ <i>0.689</i>
20	37.5/ <i>1.476</i>	34.2/ <i>1.346</i>	29.6/ <i>1.165</i>	4.0/ <i>0.157</i>	60.3/ <i>2.374</i>	19.0/ <i>0.748</i>	35/ <i>1.378</i>	19.5/ <i>0.768</i>
22	40.5/ <i>1.594</i>	37.4/ <i>1.472</i>	29.6/ <i>1.165</i>	4.0/ <i>0.157</i>	60.3/ <i>2.374</i>	19.0/ <i>0.748</i>	38/ <i>1.496</i>	22.0/ <i>0.866</i>
24	44.5/ <i>1.752</i>	40.9/ <i>1.610</i>	37.8/ <i>1.488</i>	4.0/ <i>0.157</i>	62.9/ <i>2.476</i>	20.6/ <i>0.811</i>	41/ <i>1.614</i>	25.0/ <i>0.984</i>
28	50.0/ <i>1.969</i>	46.7/ <i>1.839</i>	37.8/ <i>1.488</i>	4.0/ <i>0.157</i>	64.7/ <i>2.547</i>	20.6/ <i>0.811</i>	48/ <i>1.890</i>	29.0/ <i>1.142</i>
32	56.5/ <i>2.224</i>	53.4/ <i>2.102</i>	47.8/ <i>1.882</i>	4.0/ <i>0.157</i>	67.0/ <i>2.638</i>	22.2/ <i>0.874</i>	54/ <i>2.126</i>	34.0/ <i>1.339</i>
36	63.0/ <i>2.480</i>	59.6/ <i>2.346</i>	47.8/ <i>1.882</i>	4.0/ <i>0.157</i>	67.0/ <i>2.638</i>	22.2/ <i>0.874</i>	61/ <i>2.402</i>	38.5/ <i>1.516</i>
40	69.0/ <i>2.717</i>	65.5/ <i>2.579</i>	52.4/ <i>2.063</i>	4.0/ <i>0.157</i>	67.3/ <i>2.650</i>	22.2/ <i>0.874</i>	68/ <i>2.677</i>	48.0/ <i>1.890</i>

DIMENSIONS IN ITALIC ARE INCHES.

IN-LINE RECEPTACLE

01APT*

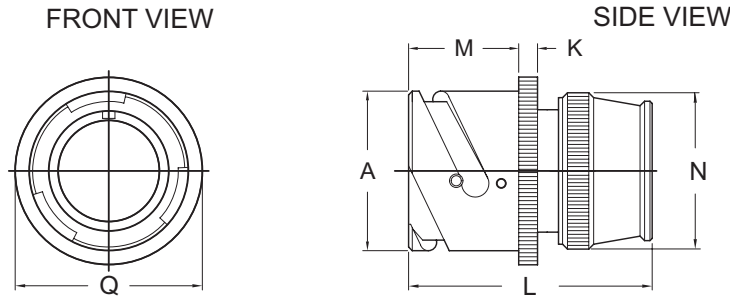


SCPB01APT* Environmental, no grommet

SHELL SIZE	FRONT VIEW	SIDE VIEW					CODE	PIPE THREAD
	Q MAX	A +0.00/+.000 -0.15/-0.006	K ±0.2/±.008	L MAX	M +0.4/+.016 -0.0/-0.000			
10SL	22.5/ <i>0.886</i>	18.2/ <i>0.717</i>	2.8/ <i>0.110</i>	60/ <i>2.362</i>	14.2/ <i>0.559</i>	01	1/8	
14S	29.5/ <i>1.161</i>	24.6/ <i>0.969</i>	3.2/ <i>0.126</i>	60/ <i>2.362</i>	14.2/ <i>0.559</i>	02	1/4	
16S	31.5/ <i>1.240</i>	27.4/ <i>1.079</i>	3.2/ <i>0.126</i>	60/ <i>2.362</i>	14.2/ <i>0.559</i>	03	3/8	
16	31.5/ <i>1.240</i>	27.4/ <i>1.079</i>	3.2/ <i>0.126</i>	70/ <i>2.756</i>	19.0/ <i>0.748</i>	04	1/2	
18	34.5/ <i>1.358</i>	30.8/ <i>1.213</i>	4.0/ <i>0.157</i>	70/ <i>2.756</i>	19.0/ <i>0.748</i>	05	3/4	
20	37.5/ <i>1.476</i>	34.2/ <i>1.346</i>	4.0/ <i>0.157</i>	70/ <i>2.756</i>	19.0/ <i>0.748</i>	06	1	
22	40.5/ <i>1.594</i>	37.4/ <i>1.472</i>	4.0/ <i>0.157</i>	70/ <i>2.756</i>	19.0/ <i>0.748</i>	07	1 1/4	
24	44.5/ <i>1.752</i>	40.9/ <i>1.610</i>	4.0/ <i>0.157</i>	80/ <i>3.150</i>	20.6/ <i>0.811</i>	08	1 1/2	
28	50.0/ <i>1.969</i>	46.7/ <i>1.839</i>	4.0/ <i>0.157</i>	80/ <i>3.150</i>	20.6/ <i>0.811</i>	09	2	
32	56.5/ <i>2.224</i>	53.4/ <i>2.102</i>	4.0/ <i>0.157</i>	80/ <i>3.150</i>	22.2/ <i>0.874</i>	10	2 1/2	
36	63.0/ <i>2.480</i>	59.6/ <i>2.346</i>	4.0/ <i>0.157</i>	95/ <i>3.740</i>	22.2/ <i>0.874</i>			
40	69.0/ <i>2.717</i>	65.5/ <i>2.579</i>	4.0/ <i>0.157</i>	95/ <i>3.740</i>	22.2/ <i>0.874</i>			

DIMENSIONS IN ITALIC ARE INCHES.

01ARV*/01RV*



SCPB01ARV* Non-environmental, no grommet
SCPB01RV* Environmental with grommet

SHELL SIZE	FRONT VIEW	SIDE VIEW				
	Q MAX	A +0.00/+.000 -0.15/-0.006	K ±0.2/±.008	L MAX	M +0.4/+.016 -0.0/-0.000	N MAX
10SL	22.5/ <i>0.886</i>	18.2/ <i>0.717</i>	2.8/ <i>0.110</i>	40/ <i>1.575</i>	14.2/ <i>0.559</i>	20.0/ <i>0.787</i>
14S	29.5/ <i>1.161</i>	24.6/ <i>0.969</i>	3.2/ <i>0.126</i>	40/ <i>1.575</i>	14.2/ <i>0.559</i>	24.0/ <i>0.945</i>
16S	31.5/ <i>1.240</i>	27.4/ <i>1.079</i>	3.2/ <i>0.126</i>	40/ <i>1.575</i>	14.2/ <i>0.559</i>	26.0/ <i>1.024</i>
16	31.5/ <i>1.240</i>	27.4/ <i>1.079</i>	3.2/ <i>0.126</i>	56/ <i>2.205</i>	19.0/ <i>0.748</i>	26.0/ <i>1.024</i>
18	34.5/ <i>1.358</i>	30.8/ <i>1.213</i>	4.0/ <i>0.157</i>	56/ <i>2.205</i>	19.0/ <i>0.748</i>	29.5/ <i>1.161</i>
20	37.5/ <i>1.476</i>	34.2/ <i>1.346</i>	4.0/ <i>0.157</i>	57/ <i>2.244</i>	19.0/ <i>0.748</i>	33.0/ <i>1.299</i>
22	40.5/ <i>1.594</i>	37.4/ <i>1.472</i>	4.0/ <i>0.157</i>	57/ <i>2.244</i>	19.0/ <i>0.748</i>	36.0/ <i>1.417</i>
24	44.5/ <i>1.752</i>	40.9/ <i>1.610</i>	4.0/ <i>0.157</i>	59/ <i>2.323</i>	20.6/ <i>0.811</i>	40.0/ <i>1.575</i>
28	50.0/ <i>1.969</i>	46.7/ <i>1.839</i>	4.0/ <i>0.157</i>	59/ <i>2.323</i>	20.6/ <i>0.811</i>	46.0/ <i>1.811</i>
32	56.5/ <i>2.224</i>	53.4/ <i>2.102</i>	4.0/ <i>0.157</i>	60/ <i>2.362</i>	22.2/ <i>0.874</i>	51.5/ <i>2.028</i>
36	63.0/ <i>2.480</i>	59.6/ <i>2.346</i>	4.0/ <i>0.157</i>	60/ <i>2.362</i>	22.2/ <i>0.874</i>	58.0/ <i>2.283</i>
40	69.0/ <i>2.717</i>	65.5/ <i>2.579</i>	4.0/ <i>0.157</i>	61/ <i>2.402</i>	22.2/ <i>0.874</i>	64.5/ <i>2.539</i>

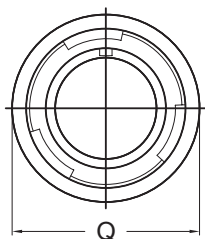
DIMENSIONS IN ITALIC ARE INCHES.

IN-LINE RECEPTACLE

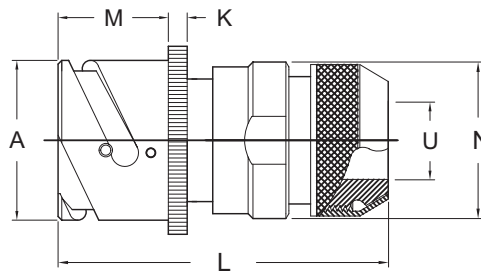
01ASB*/01SB*

1C

FRONT VIEW



SIDE VIEW



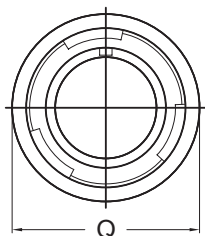
SCPB01ASB* Environmental, no grommet
SCPB01SB* Environmental with grommet

SHELL SIZE	FRONT VIEW	SIDE VIEW					
	Q MAX	A +0.00/ +.000 -0.15/ -.006	K ±0.2/ ±.008	L MAX	M +0.4/ +.016 -0.0/ -.000	N MAX	U MIN
10SL	22.5/ <i>0.886</i>	18.2/ <i>0.717</i>	2.8/ <i>0.110</i>	52.2/ <i>2.055</i>	14.2/ <i>0.559</i>	22/ <i>0.866</i>	8.6/ <i>0.339</i>
14S	29.5/ <i>1.161</i>	24.6/ <i>0.969</i>	3.2/ <i>0.126</i>	52.2/ <i>2.055</i>	14.2/ <i>0.559</i>	25/ <i>0.984</i>	10.6/ <i>0.417</i>
16S	31.5/ <i>1.240</i>	27.4/ <i>1.079</i>	3.2/ <i>0.126</i>	54.2/ <i>2.134</i>	14.2/ <i>0.559</i>	28/ <i>1.102</i>	13.5/ <i>0.531</i>
16	31.5/ <i>1.240</i>	27.4/ <i>1.079</i>	3.2/ <i>0.126</i>	63.3/ <i>2.492</i>	19.0/ <i>0.748</i>	28/ <i>1.102</i>	13.5/ <i>0.531</i>
18	34.5/ <i>1.358</i>	30.8/ <i>1.213</i>	4.0/ <i>0.157</i>	64.5/ <i>2.539</i>	19.0/ <i>0.748</i>	31/ <i>1.220</i>	14.6/ <i>0.575</i>
20	37.5/ <i>1.476</i>	34.2/ <i>1.346</i>	4.0/ <i>0.157</i>	64.5/ <i>2.539</i>	19.0/ <i>0.748</i>	35/ <i>1.378</i>	18.5/ <i>0.728</i>
22	40.5/ <i>1.594</i>	37.4/ <i>1.472</i>	4.0/ <i>0.157</i>	64.5/ <i>2.539</i>	19.0/ <i>0.748</i>	38/ <i>1.496</i>	20.8/ <i>0.819</i>
24	44.5/ <i>1.752</i>	40.9/ <i>1.610</i>	4.0/ <i>0.157</i>	65.2/ <i>2.567</i>	20.6/ <i>0.811</i>	41/ <i>1.614</i>	24.6/ <i>0.969</i>
28	50.0/ <i>1.969</i>	46.7/ <i>1.839</i>	4.0/ <i>0.157</i>	65.2/ <i>2.567</i>	20.6/ <i>0.811</i>	48/ <i>1.890</i>	27.0/ <i>1.063</i>
32	56.5/ <i>2.224</i>	53.4/ <i>2.102</i>	4.0/ <i>0.157</i>	66.8/ <i>2.630</i>	22.2/ <i>0.874</i>	54/ <i>2.126</i>	33.3/ <i>1.311</i>
36	63.0/ <i>2.480</i>	59.6/ <i>2.346</i>	4.0/ <i>0.157</i>	66.8/ <i>2.630</i>	22.2/ <i>0.874</i>	61/ <i>2.402</i>	38.5/ <i>1.516</i>
40	69.0/ <i>2.717</i>	65.5/ <i>2.579</i>	4.0/ <i>0.157</i>	66.8/ <i>2.630</i>	22.2/ <i>0.874</i>	68/ <i>2.677</i>	46.0/ <i>1.811</i>

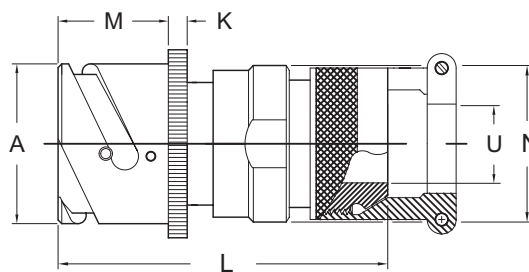
DIMENSIONS IN ITALIC ARE INCHES.

01ASBF*/01SBF*

FRONT VIEW



SIDE VIEW



SCPB01ASBF* Environmental, no grommet
SCPB01SBF* Environmental with grommet

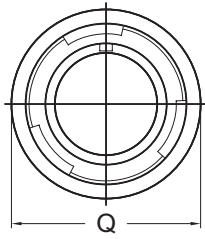
SHELL SIZE	FRONT VIEW	SIDE VIEW					
	Q MAX	A +0.00/ +.000 -0.15/ -.006	K ±0.2/ ±.008	L MAX	M +0.4/ +.016 -0.0/ -.000	N MAX	U MIN
10SL	22.5/ <i>0.886</i>	18.2/ <i>0.717</i>	2.8/ <i>0.110</i>	52.2/ <i>2.055</i>	14.2/ <i>0.559</i>	22/ <i>0.866</i>	8.6/ <i>0.339</i>
14S	29.5/ <i>1.161</i>	24.6/ <i>0.969</i>	3.2/ <i>0.126</i>	52.2/ <i>2.055</i>	14.2/ <i>0.559</i>	25/ <i>0.984</i>	10.6/ <i>0.417</i>
16S	31.5/ <i>1.240</i>	27.4/ <i>1.079</i>	3.2/ <i>0.126</i>	54.2/ <i>2.134</i>	14.2/ <i>0.559</i>	28/ <i>1.102</i>	13.5/ <i>0.531</i>
16	31.5/ <i>1.240</i>	27.4/ <i>1.079</i>	3.2/ <i>0.126</i>	63.3/ <i>2.492</i>	19.0/ <i>0.748</i>	28/ <i>1.102</i>	13.5/ <i>0.531</i>
18	34.5/ <i>1.358</i>	30.8/ <i>1.213</i>	4.0/ <i>0.157</i>	64.5/ <i>2.539</i>	19.0/ <i>0.748</i>	31/ <i>1.220</i>	14.6/ <i>0.575</i>
20	37.5/ <i>1.476</i>	34.2/ <i>1.346</i>	4.0/ <i>0.157</i>	64.5/ <i>2.539</i>	19.0/ <i>0.748</i>	35/ <i>1.378</i>	18.5/ <i>0.728</i>
22	40.5/ <i>1.594</i>	37.4/ <i>1.472</i>	4.0/ <i>0.157</i>	64.5/ <i>2.539</i>	19.0/ <i>0.748</i>	38/ <i>1.496</i>	20.8/ <i>0.819</i>
24	44.5/ <i>1.752</i>	40.9/ <i>1.610</i>	4.0/ <i>0.157</i>	65.2/ <i>2.567</i>	20.6/ <i>0.811</i>	41/ <i>1.614</i>	24.6/ <i>0.969</i>
28	50.0/ <i>1.969</i>	46.7/ <i>1.839</i>	4.0/ <i>0.157</i>	65.2/ <i>2.567</i>	20.6/ <i>0.811</i>	48/ <i>1.890</i>	27.0/ <i>1.063</i>
32	56.5/ <i>2.224</i>	53.4/ <i>2.102</i>	4.0/ <i>0.157</i>	66.8/ <i>2.630</i>	22.2/ <i>0.874</i>	54/ <i>2.126</i>	33.3/ <i>1.311</i>
36	63.0/ <i>2.480</i>	59.6/ <i>2.346</i>	4.0/ <i>0.157</i>	66.8/ <i>2.630</i>	22.2/ <i>0.874</i>	61/ <i>2.402</i>	38.5/ <i>1.516</i>
40	69.0/ <i>2.717</i>	65.5/ <i>2.579</i>	4.0/ <i>0.157</i>	66.8/ <i>2.630</i>	22.2/ <i>0.874</i>	68/ <i>2.677</i>	46.0/ <i>1.811</i>

DIMENSIONS IN ITALIC ARE INCHES.

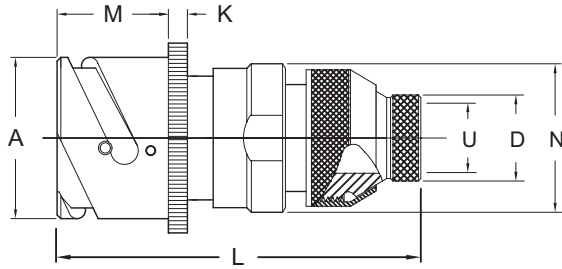
IN-LINE RECEPTACLE

01ASBT*/01SBT*

FRONT VIEW



SIDE VIEW



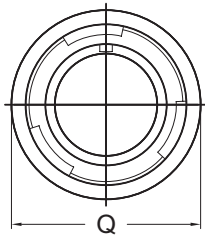
SCP B01ASBT* Non-environmental, no grommet
 SCP B01SBT* Environmental with grommet

SHELL SIZE	FRONT VIEW	SIDE VIEW						
	Q MAX	A <i>+0.00/ +.000</i> <i>-0.15/ -.006</i>	D MAX	K <i>±0.2/ ±.008</i>	L MAX	M <i>+0.4/ +.016</i> <i>-0.0/ -.000</i>	N MAX	U MIN
10SL	<i>22.5/0.886</i>	<i>18.2/0.717</i>	<i>11.1/0.437</i>	<i>2.8/0.110</i>	<i>61/2.402</i>	<i>14.2/0.559</i>	<i>22/0.866</i>	<i>7.6 /0.299</i>
14S	<i>29.5/1.161</i>	<i>24.6/0.969</i>	<i>14.3/0.563</i>	<i>3.2/0.126</i>	<i>64/2.520</i>	<i>14.2/0.559</i>	<i>25/0.984</i>	<i>10.8/0.425</i>
16S	<i>31.5/1.240</i>	<i>27.4/1.079</i>	<i>15.9/0.626</i>	<i>3.2/0.126</i>	<i>70/2.756</i>	<i>14.2/0.559</i>	<i>28/1.102</i>	<i>12.4/0.488</i>
16	<i>31.5/1.240</i>	<i>27.4/1.079</i>	<i>15.9/0.626</i>	<i>3.2/0.126</i>	<i>80/3.150</i>	<i>19.0/0.748</i>	<i>28/1.102</i>	<i>12.4/0.488</i>
18	<i>34.5/1.358</i>	<i>30.8/1.213</i>	<i>19.1/0.752</i>	<i>4.0/0.157</i>	<i>80/3.150</i>	<i>19.0/0.748</i>	<i>31/1.220</i>	<i>15.6/0.614</i>
20	<i>37.5/1.476</i>	<i>34.2/1.346</i>	<i>22.3/0.878</i>	<i>4.0/0.157</i>	<i>80/3.150</i>	<i>19.0/0.748</i>	<i>35/1.378</i>	<i>18.7/0.736</i>
22	<i>40.5/1.594</i>	<i>37.4/1.472</i>	<i>25.4/1.000</i>	<i>4.0/0.157</i>	<i>80/3.150</i>	<i>19.0/0.748</i>	<i>38/1.496</i>	<i>21.9/0.862</i>
24	<i>44.5/1.752</i>	<i>40.9/1.610</i>	<i>28.6/1.126</i>	<i>4.0/0.157</i>	<i>80/3.150</i>	<i>20.6/0.811</i>	<i>41/1.614</i>	<i>25.1/0.988</i>
28	<i>50.0/1.969</i>	<i>46.7/1.839</i>	<i>31.8/1.252</i>	<i>4.0/0.157</i>	<i>80/3.150</i>	<i>20.6/0.811</i>	<i>48/1.890</i>	<i>28.3/1.114</i>
32	<i>56.5/2.224</i>	<i>53.4/2.102</i>	<i>36.6/1.440</i>	<i>4.0/0.157</i>	<i>80/3.150</i>	<i>22.2/0.874</i>	<i>54/2.126</i>	<i>28.3/1.114</i>
36	<i>63.0/2.480</i>	<i>59.6/2.346</i>	<i>44.5/1.752</i>	<i>4.0/0.157</i>	<i>85/3.346</i>	<i>22.2/0.874</i>	<i>61/2.402</i>	<i>41.0/1.614</i>
40	<i>69.0/2.717</i>	<i>65.5/2.579</i>	<i>50.8/2.000</i>	<i>4.0/0.157</i>	<i>85/3.346</i>	<i>22.2/0.874</i>	<i>68/2.677</i>	<i>40.6/1.600</i>

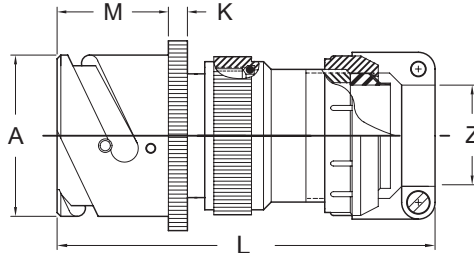
DIMENSIONS IN ITALIC ARE INCHES.
 1. DIMENSION L WILL VARY FROM THE VALUES INDICATED FOR SOME SPECIAL INSERT CONFIGURATIONS.

01CF*/01CFZ*

FRONT VIEW



SIDE VIEW



SCP B01CF* Environmental, no grommet
 SCP B01CFZ* Environmental with grommet

SHELL SIZE	FRONT VIEW	SIDE VIEW					
	Q MAX	A <i>+0.00/ +.000</i> <i>-0.15/ -.006</i>	K <i>±0.2/ ±.008</i>	L MAX	M <i>+0.4/ +.016</i> <i>-0.0/ -.000</i>	Z	
						OPEN	CLOSED
10SL	<i>22.5/0.886</i>	<i>18.2/0.717</i>	<i>2.8/0.110</i>	<i>73/2.874</i>	<i>14.2/0.559</i>	<i>7.93/0.312</i>	<i>2.38/0.094</i>
14S	<i>29.5/1.161</i>	<i>24.6/0.969</i>	<i>3.2/0.126</i>	<i>77/3.031</i>	<i>14.2/0.559</i>	<i>11.12/0.438</i>	<i>5.84/0.230</i>
16S	<i>31.5/1.240</i>	<i>27.4/1.079</i>	<i>3.2/0.126</i>	<i>77/3.031</i>	<i>14.2/0.559</i>	<i>13.48/0.531</i>	<i>8.0/0.315</i>
16	<i>31.5/1.240</i>	<i>27.4/1.079</i>	<i>3.2/0.126</i>	<i>88/3.465</i>	<i>19.0/0.748</i>	<i>13.48/0.531</i>	<i>8.0/0.315</i>
18	<i>34.5/1.358</i>	<i>30.8/1.213</i>	<i>4.0/0.157</i>	<i>91/3.583</i>	<i>19.0/0.748</i>	<i>15.87/0.625</i>	<i>9.6/0.378</i>
20	<i>37.5/1.476</i>	<i>34.2/1.346</i>	<i>4.0/0.157</i>	<i>91/3.583</i>	<i>19.0/0.748</i>	<i>19.00/0.748</i>	<i>11.3/0.445</i>
22	<i>40.5/1.594</i>	<i>37.4/1.472</i>	<i>4.0/0.157</i>	<i>92/3.622</i>	<i>19.0/0.748</i>	<i>19.00/0.748</i>	<i>11.3/0.445</i>
24	<i>44.5/1.752</i>	<i>40.9/1.610</i>	<i>4.0/0.157</i>	<i>97/3.819</i>	<i>20.6/0.811</i>	<i>23.80/0.937</i>	<i>15.5/0.610</i>
28	<i>50.0/1.969</i>	<i>46.7/1.839</i>	<i>4.0/0.157</i>	<i>103/4.055</i>	<i>20.6/0.811</i>	<i>23.80/0.937</i>	<i>15.5/0.610</i>
32	<i>56.5/2.224</i>	<i>53.4/2.102</i>	<i>4.0/0.157</i>	<i>113/4.449</i>	<i>22.2/0.874</i>	<i>31.75/1.250</i>	<i>23.4/0.921</i>
36	<i>63.0/2.480</i>	<i>59.6/2.346</i>	<i>4.0/0.157</i>	<i>120/4.724</i>	<i>22.2/0.874</i>	<i>35.00/1.378</i>	<i>23.4/0.921</i>
40	<i>69.0/2.717</i>	<i>65.5/2.579</i>	<i>4.0/0.157</i>	<i>135/5.315</i>	<i>22.2/0.874</i>	<i>41.25/1.624</i>	<i>29.9/1.177</i>

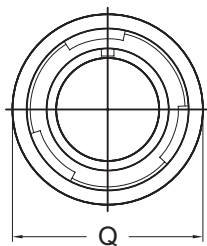
DIMENSIONS IN ITALIC ARE INCHES.

IN-LINE RECEPTACLE

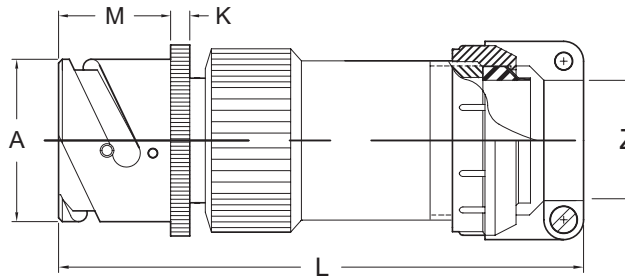
01FR**(C)

1C

FRONT VIEW



SIDE VIEW



EXAMPLE PART NUMBER: SCPB01FR24-28P-08C

FINISH: BLACK ANODIZE
CONTACTS: F80 SILVER PLATED CRIMP CONTACTS

SEE TABLE 2 BELOW
(04C THRU 32C)

TABLE 1

SHELL SIZE	FRONT VIEW	SIDE VIEW			
	Q MAX	A +0.00/+0.000 -0.15/-0.006	K ±0.2/±0.008	L	M +0.4/+0.016 -0.0/-0.000
10SL	22.5 / <i>0.886</i>	18.2 / <i>0.717</i>	2.8 / <i>0.110</i>	* Dimension L is dependent on the backshell used, the cable range and the fitting used. Consult factory.	14.2 / <i>0.559</i>
14S	29.5 / <i>1.161</i>	24.6 / <i>0.969</i>	3.2 / <i>0.126</i>		14.2 / <i>0.559</i>
16S	31.5 / <i>1.240</i>	27.4 / <i>1.079</i>	3.2 / <i>0.126</i>		14.2 / <i>0.559</i>
16	31.5 / <i>1.240</i>	27.4 / <i>1.079</i>	3.2 / <i>0.126</i>		19.0 / <i>0.748</i>
18	34.5 / <i>1.358</i>	30.8 / <i>1.213</i>	4.0 / <i>0.157</i>		19.0 / <i>0.748</i>
20	37.5 / <i>1.476</i>	34.2 / <i>1.346</i>	4.0 / <i>0.157</i>		19.0 / <i>0.748</i>
22	40.5 / <i>1.594</i>	37.4 / <i>1.472</i>	4.0 / <i>0.157</i>		19.0 / <i>0.748</i>
24	44.5 / <i>1.752</i>	40.9 / <i>1.610</i>	4.0 / <i>0.157</i>		20.6 / <i>0.811</i>
28	50.0 / <i>1.969</i>	46.7 / <i>1.839</i>	4.0 / <i>0.157</i>		20.6 / <i>0.811</i>
32	56.5 / <i>2.224</i>	53.4 / <i>2.102</i>	4.0 / <i>0.157</i>		22.2 / <i>0.874</i>
36	63.0 / <i>2.480</i>	59.6 / <i>2.346</i>	4.0 / <i>0.157</i>		22.2 / <i>0.874</i>
40	69.0 / <i>2.717</i>	65.5 / <i>2.579</i>	4.0 / <i>0.157</i>		22.2 / <i>0.874</i>

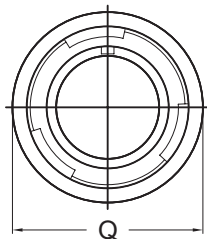
TABLE 2: CLAMP CODE

(XX) CLAMP CODE	Z - CABLE RANGE	
	OPEN	CLOSED
04C	7.92 / <i>0.312</i>	2.40 / <i>0.094</i>
06C	11.12 / <i>0.438</i>	5.84 / <i>0.230</i>
08C	13.48 / <i>0.531</i>	8.0 / <i>0.315</i>
10C	15.87 / <i>0.625</i>	9.6 / <i>0.378</i>
12C	19.00 / <i>0.748</i>	11.3 / <i>0.445</i>
16C	23.80 / <i>0.937</i>	15.5 / <i>0.610</i>
20C	31.75 / <i>1.250</i>	23.4 / <i>0.921</i>
24C	35.00 / <i>1.378</i>	23.4 / <i>0.921</i>
28C	41.25 / <i>1.624</i>	29.9 / <i>1.177</i>
32C	47.60 / <i>1.874</i>	34.9 / <i>1.374</i>

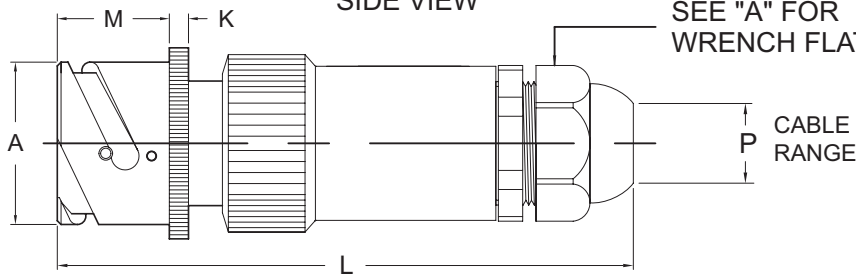
DIMENSIONS IN ITALIC ARE INCHES.
* CONSULT FACTORY

01FR**(PG)

FRONT VIEW



SIDE VIEW



EXAMPLE PART NUMBER: SCPB01FR24-28P-11R

FINISH: BLACK ANODIZE
CONTACTS: F80 SILVER PLATED CRIMP CONTACTS

SEE TABLE 2 BELOW
(07R THRU 48)

TABLE 1

SHELL SIZE	FRONT VIEW	SIDE VIEW			
	Q MAX	A +0.00/+0.000 -0.15/-0.006	K ±0.2/±0.008	L	M +0.4/+0.016 -0.0/-0.000
10SL	22.5 / <i>0.886</i>	18.2 / <i>0.717</i>	2.8 / <i>0.110</i>	* Dimension L is dependent on the backshell used, the cable range and the fitting used. Consult factory.	14.2 / <i>0.559</i>
14S	29.5 / <i>1.161</i>	24.6 / <i>0.969</i>	3.2 / <i>0.126</i>		14.2 / <i>0.559</i>
16S	31.5 / <i>1.240</i>	27.4 / <i>1.079</i>	3.2 / <i>0.126</i>		14.2 / <i>0.559</i>
16	31.5 / <i>1.240</i>	27.4 / <i>1.079</i>	3.2 / <i>0.126</i>		19.0 / <i>0.748</i>
18	34.5 / <i>1.358</i>	30.8 / <i>1.213</i>	4.0 / <i>0.157</i>		19.0 / <i>0.748</i>
20	37.5 / <i>1.476</i>	34.2 / <i>1.346</i>	4.0 / <i>0.157</i>		19.0 / <i>0.748</i>
22	40.5 / <i>1.594</i>	37.4 / <i>1.472</i>	4.0 / <i>0.157</i>		19.0 / <i>0.748</i>
24	44.5 / <i>1.752</i>	40.9 / <i>1.610</i>	4.0 / <i>0.157</i>		20.6 / <i>0.811</i>
28	50.0 / <i>1.969</i>	46.7 / <i>1.839</i>	4.0 / <i>0.157</i>		20.6 / <i>0.811</i>
32	56.5 / <i>2.224</i>	53.4 / <i>2.102</i>	4.0 / <i>0.157</i>		22.2 / <i>0.874</i>
36	63.0 / <i>2.480</i>	59.6 / <i>2.346</i>	4.0 / <i>0.157</i>		22.2 / <i>0.874</i>
40	69.0 / <i>2.717</i>	65.5 / <i>2.579</i>	4.0 / <i>0.157</i>		22.2 / <i>0.874</i>

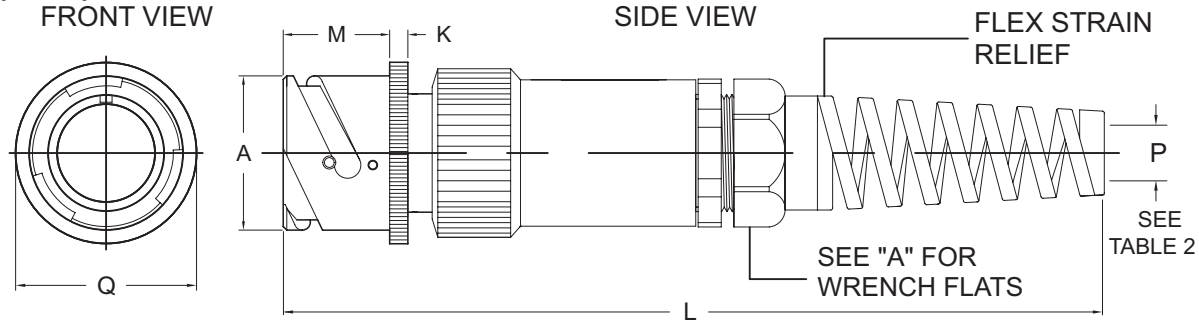
TABLE 2: CABLE RANGE CODE

(XX) CABLE CODE NO STRAIN RELIEF	TYPE	P CABLE RANGE	A WRENCH FLATS
07R	PG7	2.0-5.0 / <i>0.08-0.20</i>	15.0 / <i>0.591</i>
07	PG7	3.0-6.5 / <i>0.12-0.26</i>	15.0 / <i>0.591</i>
09R	PG9	2.0-6.0 / <i>0.08-0.24</i>	19.0 / <i>0.748</i>
09	PG9	4.0-8.0 / <i>0.16-0.31</i>	19.0 / <i>0.748</i>
11R	PG11	3.0-7.0 / <i>0.12-0.28</i>	22.0 / <i>0.866</i>
11	PG11	5.0-10.0 / <i>0.20-0.39</i>	22.0 / <i>0.866</i>
13R	PG13.5	5.0-9.0 / <i>0.20-0.35</i>	24.0 / <i>0.945</i>
13	PG13.5	6.0-12.0 / <i>0.24-0.47</i>	24.0 / <i>0.945</i>
16R	PG16	7.0-12.0 / <i>0.28-0.47</i>	27.0 / <i>1.063</i>
16	PG16	10.0-14.0 / <i>0.39-0.55</i>	27.0 / <i>1.063</i>
21R	PG21	9.0-16.0 / <i>0.35-0.63</i>	33.0 / <i>1.299</i>
21	PG21	13.0-18.0 / <i>0.51-0.71</i>	33.0 / <i>1.299</i>
29R	PG29	12.0-20.0 / <i>0.47-0.79</i>	42.0 / <i>1.654</i>
29	PG29	18.0-25.0 / <i>0.71-0.98</i>	42.0 / <i>1.654</i>
36R	PG36	20.0-26.0 / <i>0.79-1.02</i>	53.0 / <i>2.087</i>
36	PG36	22.0-32.0 / <i>0.87-1.26</i>	53.0 / <i>2.087</i>
42	PG42	30.0-38.0 / <i>1.18-1.50</i>	60.0 / <i>2.362</i>
48	PG48	34.0-44.0 / <i>1.34-1.73</i>	65.0 / <i>2.559</i>

DIMENSIONS IN ITALIC ARE INCHES.
* CONSULT FACTORY

IN-LINE RECEPTACLE

01FR**(SPB)



EXAMPLE PART NUMBER: SCPB01FR24-28P-SPB16R

FINISH: BLACK ANODIZE

CONTACTS: F80 SILVER PLATED CRIMP CONTACTS

SEE TABLE 2 BELOW
(04C THRU 32C)

TABLE 1

TABLE 2: CABLE RANGE CODE

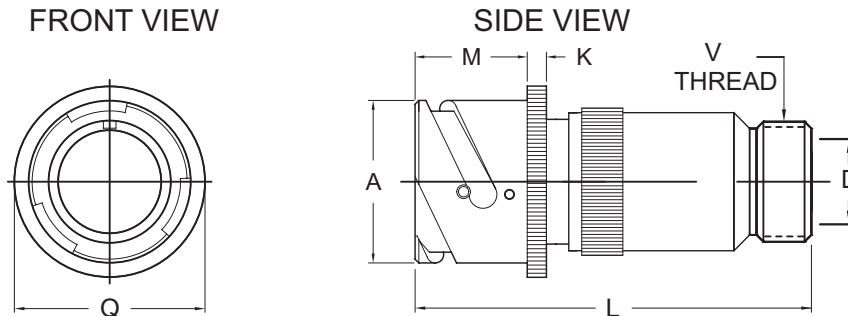
SHELL SIZE	FRONT VIEW	SIDE VIEW				
	Q MAX	A +0.00/+0.000 -0.15/-0.06	K ±0.2/ ±.008	L	M +0.4/ +.016 -0.0/ -.000	
10SL	22.5 / <i>0.886</i>	18.2 / <i>0.717</i>	2.8 / <i>0.110</i>	* Dimension L is dependent on the backshell used, the cable range and the fitting used. Consult factory.	14.2 / <i>0.559</i>	
14S	29.5 / <i>1.161</i>	24.6 / <i>0.969</i>	3.2 / <i>0.126</i>		14.2 / <i>0.559</i>	
16S	31.5 / <i>1.240</i>	27.4 / <i>1.079</i>	3.2 / <i>0.126</i>		14.2 / <i>0.559</i>	
16	31.5 / <i>1.240</i>	27.4 / <i>1.079</i>	3.2 / <i>0.126</i>		19.0 / <i>0.748</i>	
18	34.5 / <i>1.358</i>	30.8 / <i>1.213</i>	4.0 / <i>0.157</i>		19.0 / <i>0.748</i>	
20	37.5 / <i>1.476</i>	34.2 / <i>1.346</i>	4.0 / <i>0.157</i>		19.0 / <i>0.748</i>	
22	40.5 / <i>1.594</i>	37.4 / <i>1.472</i>	4.0 / <i>0.157</i>		19.0 / <i>0.748</i>	
24	44.5 / <i>1.752</i>	40.9 / <i>1.610</i>	4.0 / <i>0.157</i>		20.6 / <i>0.811</i>	
28	50.0 / <i>1.969</i>	46.7 / <i>1.839</i>	4.0 / <i>0.157</i>		20.6 / <i>0.811</i>	
32	56.5 / <i>2.224</i>	53.4 / <i>2.102</i>	4.0 / <i>0.157</i>		22.2 / <i>0.874</i>	
36	63.0 / <i>2.480</i>	59.6 / <i>2.346</i>	4.0 / <i>0.157</i>		22.2 / <i>0.874</i>	
40	69.0 / <i>2.717</i>	65.5 / <i>2.579</i>	4.0 / <i>0.157</i>		22.2 / <i>0.874</i>	

(XX) CABLE CODE	FLEX STRAIN RELIEF	TYPE	P CABLE RANGE	A WRENCH FLATS
SPB07R	PG7	2.0-5.0 / <i>0.08-0.20</i>	15.0 / <i>0.591</i>	
SPB07	PG7	3.0-6.5 / <i>0.12-0.26</i>	15.0 / <i>0.591</i>	
SPB09R	PG9	2.0-6.0 / <i>0.08-0.24</i>	19.0 / <i>0.748</i>	
SPB09	PG9	4.0-8.0 / <i>0.16-0.31</i>	19.0 / <i>0.748</i>	
SPB11R	PG11	3.0-7.0 / <i>0.12-0.28</i>	22.0 / <i>0.866</i>	
SPB11	PG11	5.0-10.0 / <i>0.20-0.39</i>	22.0 / <i>0.866</i>	
SPB13R	PG13.5	5.0-9.0 / <i>0.20-0.35</i>	24.0 / <i>0.945</i>	
SPB13	PG13.5	6.0-12.0 / <i>0.24-0.47</i>	24.0 / <i>0.945</i>	
SPB16R	PG16	7.0-12.0 / <i>0.28-0.47</i>	27.0 / <i>1.063</i>	
SPB16	PG16	10.0-14.0 / <i>0.39-0.55</i>	27.0 / <i>1.063</i>	
SPB21R	PG21	9.0-16.0 / <i>0.35-0.63</i>	33.0 / <i>1.299</i>	
SPB21	PG21	13.0-18.0 / <i>0.51-0.71</i>	33.0 / <i>1.299</i>	
SPB29R	PG29	12.0-20.0 / <i>0.47-0.79</i>	42.0 / <i>1.654</i>	
SPB29	PG29	18.0-25.0 / <i>0.71-0.98</i>	42.0 / <i>1.654</i>	
SPB36R	PG36	20.0-26.0 / <i>0.79-1.02</i>	53.0 / <i>2.087</i>	
SPB36	PG36	22.0-32.0 / <i>0.87-1.26</i>	53.0 / <i>2.087</i>	
SPB42	PG42	30.0-38.0 / <i>1.18-1.50</i>	60.0 / <i>2.362</i>	
SPB48	PG48	34.0-44.0 / <i>1.34-1.73</i>	65.0 / <i>2.559</i>	

DIMENSIONS IN ITALIC ARE INCHES.

* CONSULT FACTORY

01LA*/01LR*



SCPB00LA* Non-environmental, no grommet

SCPB00LR* Environmental with grommet

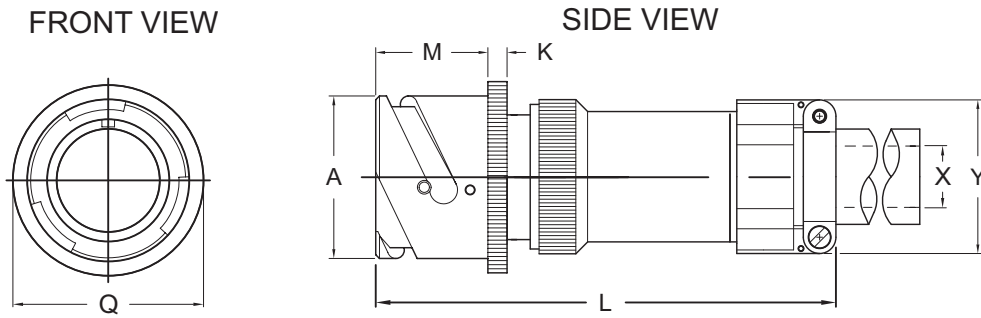
SHELL SIZE	FRONT VIEW	SIDE VIEW					
	Q MAX	A +0.00/+0.000 -0.15/-0.06	D MIN.	K ±0.2/ ±.008	L MAX.	M +0.4/ +.016 -0.0/ -.000	V THREAD CLASS 2A
10SL	22.5 / <i>0.886</i>	18.2 / <i>0.717</i>	8.2 / <i>0.323</i>	2.8 / <i>0.110</i>	71 / <i>2.79</i>	14.2 / <i>0.559</i>	5/8-24 UNEF
14S	29.5 / <i>1.161</i>	24.6 / <i>0.969</i>	11.1 / <i>0.437</i>	3.2 / <i>0.126</i>	71 / <i>2.79</i>	14.2 / <i>0.559</i>	3/4-20 UNEF
16S	31.5 / <i>1.240</i>	27.4 / <i>1.079</i>	14.3 / <i>0.563</i>	3.2 / <i>0.126</i>	71 / <i>2.79</i>	14.2 / <i>0.559</i>	7/8-20 UNEF
16	31.5 / <i>1.240</i>	27.4 / <i>1.079</i>	14.3 / <i>0.563</i>	3.2 / <i>0.126</i>	87 / <i>3.42</i>	19.0 / <i>0.748</i>	7/8-20 UNEF
18	34.5 / <i>1.358</i>	30.8 / <i>1.213</i>	16.7 / <i>0.657</i>	4.0 / <i>0.157</i>	87 / <i>3.42</i>	19.0 / <i>0.748</i>	1-20 UNEF
20	37.5 / <i>1.476</i>	34.2 / <i>1.346</i>	19.8 / <i>0.780</i>	4.0 / <i>0.157</i>	87 / <i>3.42</i>	19.0 / <i>0.748</i>	1 3/16-18 UNEF
22	40.5 / <i>1.594</i>	37.4 / <i>1.472</i>	19.8 / <i>0.780</i>	4.0 / <i>0.157</i>	87 / <i>3.42</i>	19.0 / <i>0.748</i>	1 3/16-18 UNEF
24	44.5 / <i>1.752</i>	40.9 / <i>1.610</i>	25.4 / <i>1.000</i>	4.0 / <i>0.157</i>	87 / <i>3.42</i>	20.6 / <i>0.811</i>	1 7/16-18 UNEF
28	50.0 / <i>1.969</i>	46.7 / <i>1.839</i>	27.0 / <i>1.063</i>	4.0 / <i>0.157</i>	95 / <i>3.74</i>	20.6 / <i>0.811</i>	1 7/16-18 UNEF
32	56.5 / <i>2.224</i>	53.4 / <i>2.102</i>	32.5 / <i>1.280</i>	4.0 / <i>0.157</i>	95 / <i>3.74</i>	22.2 / <i>0.874</i>	1 3/4-18 UNS
36	63.0 / <i>2.480</i>	59.6 / <i>2.346</i>	35.7 / <i>1.406</i>	4.0 / <i>0.157</i>	95 / <i>3.74</i>	22.2 / <i>0.874</i>	2-18 UNS
40	69.0 / <i>2.717</i>	65.5 / <i>2.579</i>	45.0 / <i>1.772</i>	4.0 / <i>0.157</i>	95 / <i>3.74</i>	22.2 / <i>0.874</i>	2 1/4-16 UN

DIMENSIONS IN ITALIC ARE INCHES.

IN-LINE RECEPTACLE

01LAF*/01LF*

1C

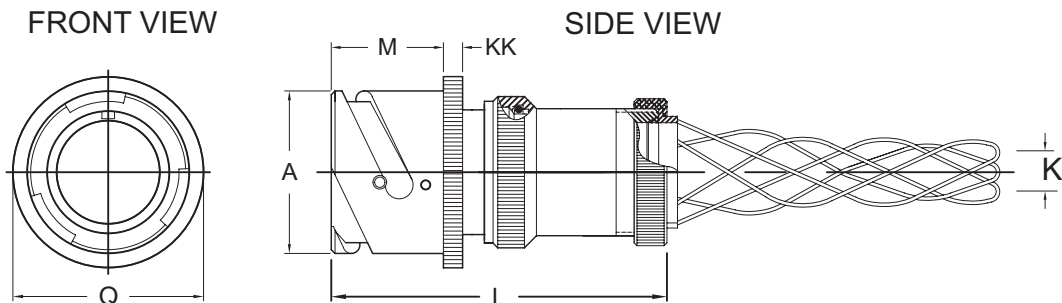


SCPB01LAF* Non-environmental, no grommet
 SCPB01LF* Environmental with grommet

SHELL SIZE	FRONT VIEW	SIDE VIEW					
	Q MAX	A +0.00/+0.000 -0.15/-0.006	K ±0.2/±0.008	L MAX	M +0.4/+0.016 -0.0/-0.000	X MIN	Y MAX
10SL	22.5/0.886	18.2/0.717	2.8/0.110	92/3.622	14.2/0.559	5.6/0.220	22.7/0.894
14S	29.5/1.161	24.6/0.969	3.2/0.126	93/3.661	14.2/0.559	7.9/0.311	27.5/1.083
16S	31.5/1.240	27.4/1.079	3.2/0.126	95/3.740	14.2/0.559	11.0/0.433	30.0/1.181
16	31.5/1.240	27.4/1.079	3.2/0.126	111/4.370	19.0/0.748	11.0/0.433	30.0/1.181
18	34.5/1.358	30.8/1.213	4.0/0.157	111/4.370	19.0/0.748	14.2/0.559	32.2/1.268
20	37.5/1.476	34.2/1.346	4.0/0.157	111/4.370	19.0/0.748	15.8/0.622	37.5/1.476
22	40.5/1.594	37.4/1.472	4.0/0.157	111/4.370	19.0/0.748	15.8/0.622	37.5/1.476
24	44.5/1.752	40.9/1.610	4.0/0.157	113/4.449	20.6/0.811	19.0/0.748	43.3/1.705
28	50.0/1.969	46.7/1.839	4.0/0.157	121/4.764	20.6/0.811	19.0/0.748	43.3/1.705
32	56.5/2.224	53.4/2.102	4.0/0.157	123/4.842	22.2/0.874	23.8/1.051	51.7/2.035
36	63.0/2.480	59.6/2.346	4.0/0.157	125/4.921	22.2/0.874	31.7/1.248	58.0/2.283
40	69.0/2.717	65.5/2.579	4.0/0.157	138/5.433	22.2/0.874	34.9/1.374	65.5/2.579

DIMENSIONS IN ITALIC ARE INCHES.

01LCG*/01LC*



SCPB01LCG* Environmental, no grommet
 SCPB01LC* Environmental with grommet

SHELL SIZE	FRONT VIEW	SIDE VIEW			
	Q MAX	A +0.00/+0.000 -0.15/-0.006	KK ±0.2/±0.008	L ¹ MAX	M +0.4/+0.016 -0.0/-0.000
10SL	22.5/0.886	18.2/0.717	2.8/0.110	100/3.937	14.2/0.559
14S	29.5/1.161	24.6/0.969	3.2/0.126	100/3.937	14.2/0.559
16S	31.5/1.240	27.4/1.079	3.2/0.126	100/3.937	14.2/0.559
16	31.5/1.240	27.4/1.079	3.2/0.126	110/4.331	19.0/0.748
18	34.5/1.358	30.8/1.213	4.0/0.157	110/4.331	19.0/0.748
20	37.5/1.476	34.2/1.346	4.0/0.157	116/4.567	19.0/0.748
22	40.5/1.594	37.4/1.472	4.0/0.157	116/4.567	19.0/0.748
24	44.5/1.752	40.9/1.610	4.0/0.157	120/4.724	20.6/0.811
28	50.0/1.969	46.7/1.839	4.0/0.157	129/5.079	20.6/0.811
32	56.5/2.224	53.4/2.102	4.0/0.157	145/5.709	22.2/0.874
36	63.0/2.480	59.6/2.346	4.0/0.157	145/5.709	22.2/0.874
40	69.0/2.717	65.5/2.579	4.0/0.157	145/5.709	22.2/0.874

DIMENSIONS IN ITALIC ARE INCHES.

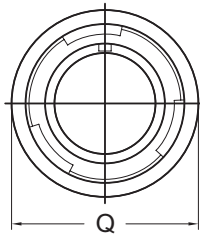
K*	CABLE RANGE	
	MIN	MAX
K0	6.35/0.250	9.53/0.375
K1	9.53/0.375	12.7/0.500
K2	12.7/0.500	15.87/0.625
K3	15.87/0.625	19.05/0.750
K4	19.05/0.750	22.23/0.875
K5	22.23/0.875	25.4/1.000
K6	25.4/1.000	28.45/1.120
K7	28.45/1.120	31.75/1.250
K8	32.77/1.290	38.1/1.500
K9	39.62/1.560	41.28/1.625
K10	41.28/1.625	44.45/1.750

1. DIMENSION L WILL VARY FROM THE VALUES INDICATED WITH ESCALATING OR DE-ESCALATING BACKSHELLS AND SOME SPECIAL INSERT CONFIGURATIONS.

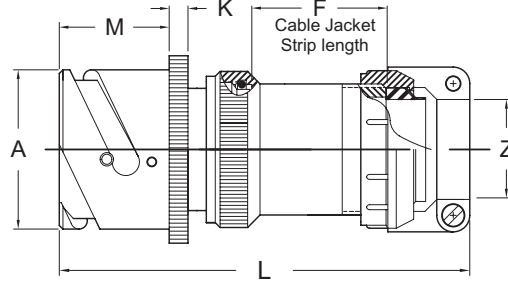
IN-LINE RECEPTACLE

01LCF*/01LCFZ*

FRONT VIEW



SIDE VIEW



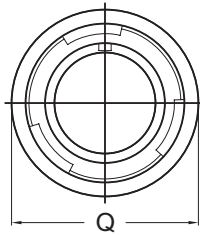
SCPB01LCF* Environmental, no grommet
 SCPB01LCFZ* Environmental with grommet

SHELL SIZE	FRONT VIEW		SIDE VIEW					
	Q	A	F	K	L	M	Z	
	MAX	+0.00/+0.000 -0.15/-0.006	REF	±0.2/±0.008	MAX	+0.4/+0.016 -0.0/-0.000	OPEN	CLOSED
10SL	22.5/0.886	18.2/0.717	42.0/1.654	2.8/0.110	101/3.976	14.2/0.559	7.93/0.312	2.38/0.094
14S	29.5/1.161	24.6/0.969	42.6/1.677	3.2/0.126	101/3.976	14.2/0.559	11.12/0.438	5.84/0.230
16S	31.5/1.240	27.4/1.079	42.6/1.677	3.2/0.126	101/3.976	14.2/0.559	13.48/0.531	8.0/0.315
16	31.5/1.240	27.4/1.079	42.6/1.677	3.2/0.126	114/4.488	19.0/0.748	13.48/0.531	8.0/0.315
18	34.5/1.358	30.8/1.213	45.8/1.803	4.0/0.157	119/4.685	19.0/0.748	15.87/0.625	9.6/0.378
20	37.5/1.476	34.2/1.346	45.9/1.807	4.0/0.157	119/4.685	19.0/0.748	19.00/0.748	11.3/0.445
22	40.5/1.594	37.4/1.472	45.9/1.807	4.0/0.157	119/4.685	19.0/0.748	19.00/0.748	11.3/0.445
24	44.5/1.752	40.9/1.610	44.5/1.752	4.0/0.157	124/4.882	20.6/0.811	23.80/0.937	15.5/0.610
28	50.0/1.969	46.7/1.839	49.5/1.949	4.0/0.157	130/5.118	20.6/0.811	23.80/0.937	15.5/0.610
32	56.5/2.224	53.4/2.102	49.6/1.953	4.0/0.157	137/5.394	22.2/0.874	31.75/1.250	23.4/0.921
36	63.0/2.480	59.6/2.346	50.0/1.969	4.0/0.157	144/5.669	22.2/0.874	35.00/1.378	23.4/0.921
40	69.0/2.717	65.5/2.579	50.0/1.969	4.0/0.157	144/5.669	22.2/0.874	41.25/1.624	29.9/1.177

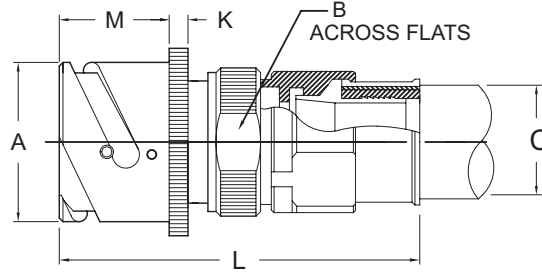
DIMENSIONS IN ITALIC ARE INCHES.

01NMG*/01NM*

FRONT VIEW



SIDE VIEW



SCPB01NMG* Environmental, no grommet
 SCPB01NM* Environmental with grommet

SHELL SIZE	FRONT VIEW		SIDE VIEW			
	Q	A	B	K	L	M
	MAX	+0.00/+0.000 -0.15/-0.006	ACROSS FLATS	±0.2/±0.008		+0.4/+0.016 -0.0/-0.000
10SL	22.5/0.886	18.2/0.717	17.8/0.701	2.8/0.110	Dimension L is dependent on conduit size used with each shell size. (consult factory)	14.2/0.559
14S	29.5/1.161	24.6/0.969	23.8/0.937	3.2/0.126		14.2/0.559
16S	31.5/1.240	27.4/1.079	25.4/1.000	3.2/0.126		14.2/0.559
16	31.5/1.240	27.4/1.079	25.4/1.000	3.2/0.126		19.0/0.748
18	34.5/1.358	30.8/1.213	28.6/1.126	4.0/0.157		19.0/0.748
20	37.5/1.476	34.2/1.346	31.7/1.248	4.0/0.157		19.0/0.748
22	40.5/1.594	37.4/1.472	34.9/1.374	4.0/0.157		19.0/0.748
24	44.5/1.752	40.9/1.610	38.1/1.500	4.0/0.157		20.6/0.811
28	50.0/1.969	46.7/1.839	44.4/1.748	4.0/0.157		20.6/0.811
32	56.5/2.224	53.4/2.102	50.8/2.000	4.0/0.157		22.2/0.874
36	63.0/2.480	59.6/2.346	57.1/2.248	4.0/0.157	22.2/0.874	
40	69.0/2.717	65.5/2.579	61.9/2.437	4.0/0.157	22.2/0.874	

CODE (***)	AVAILABLE CONDUIT SIZES C
(038)	9.52 / 3/8
(050)	12.70 / 1/2
(075)	19.05 / 3/4
(100)	25.40 / 1
(125)	31.75 / 1 1/4
(150)	38.10 / 1 1/2
(200)	50.80 / 2

(***) Conduit Size must be specified as part of the connector part number using Conduit Code

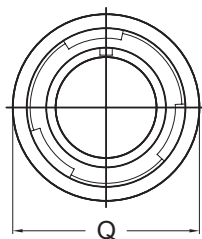
DIMENSIONS IN ITALIC ARE INCHES.

IN-LINE RECEPTACLE

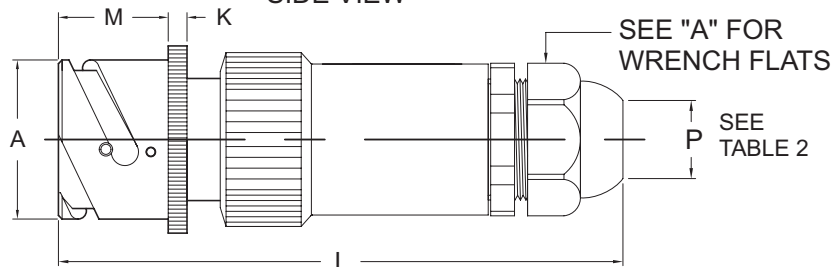
01SL*/01SL1*

1C

FRONT VIEW



SIDE VIEW



SCPB01SL* Environmental, no grommet
 SCPB01SL1* Environmental with grommet

TABLE 1

SHELL SIZE	FRONT VIEW	SIDE VIEW			
	Q MAX	A +0.00/+0.000 -0.15/-0.006	K ±0.2/±0.008	L	M +0.4/+0.016 -0.0/-0.000
10SL	22.5 / <i>0.886</i>	18.2/ <i>0.717</i>	2.8/ <i>0.110</i>	* Dimension L is dependent on the backshell used, the cable range and the fitting used. Consult factory.	14.2/ <i>0.559</i>
14S	29.5 / <i>1.161</i>	24.6/ <i>0.969</i>	3.2/ <i>0.126</i>		14.2/ <i>0.559</i>
16S	31.5 / <i>1.240</i>	27.4/ <i>1.079</i>	3.2/ <i>0.126</i>		14.2/ <i>0.559</i>
16	31.5 / <i>1.240</i>	27.4/ <i>1.079</i>	3.2/ <i>0.126</i>		19.0/ <i>0.748</i>
18	34.5 / <i>1.358</i>	30.8/ <i>1.213</i>	4.0/ <i>0.157</i>		19.0/ <i>0.748</i>
20	37.5 / <i>1.476</i>	34.2/ <i>1.346</i>	4.0/ <i>0.157</i>		19.0/ <i>0.748</i>
22	40.5 / <i>1.594</i>	37.4/ <i>1.472</i>	4.0/ <i>0.157</i>		19.0/ <i>0.748</i>
24	44.5 / <i>1.752</i>	40.9/ <i>1.610</i>	4.0/ <i>0.157</i>		20.6/ <i>0.811</i>
28	50.0 / <i>1.969</i>	46.7/ <i>1.839</i>	4.0/ <i>0.157</i>		20.6/ <i>0.811</i>
32	56.5 / <i>2.224</i>	53.4/ <i>2.102</i>	4.0/ <i>0.157</i>		22.2/ <i>0.874</i>
36	63.0 / <i>2.480</i>	59.6/ <i>2.346</i>	4.0/ <i>0.157</i>		22.2/ <i>0.874</i>
40	69.0 / <i>2.717</i>	65.5/ <i>2.579</i>	4.0/ <i>0.157</i>		22.2/ <i>0.874</i>

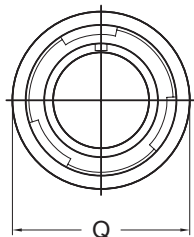
DIMENSIONS IN ITALIC ARE INCHES.
 * CONSULT FACTORY

TABLE 2: CABLE RANGE CODE

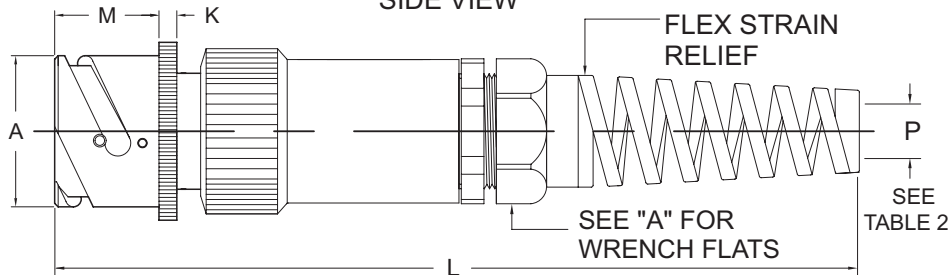
(XX) CABLE CODE	TYPE	P CABLE RANGE	A WRENCH FLATS
07R	PG7	2.0-5.0 / <i>0.08-0.20</i>	15.0/ <i>0.591</i>
07	PG7	3.0-6.5 / <i>0.12-0.26</i>	15.0/ <i>0.591</i>
09R	PG9	2.0-6.0 / <i>0.08-0.24</i>	19.0/ <i>0.748</i>
09	PG9	4.0-8.0 / <i>0.16-0.31</i>	19.0/ <i>0.748</i>
11R	PG11	3.0-7.0 / <i>0.12-0.28</i>	22.0/ <i>0.866</i>
11	PG11	5.0-10.0 / <i>0.20-0.39</i>	22.0/ <i>0.866</i>
13R	PG13.5	5.0-9.0 / <i>0.20-0.35</i>	24.0/ <i>0.945</i>
13	PG13.5	6.0-12.0 / <i>0.24-0.47</i>	24.0/ <i>0.945</i>
16R	PG16	7.0-12.0 / <i>0.28-0.47</i>	27.0/ <i>1.063</i>
16	PG16	10.0-14.0 / <i>0.39-0.55</i>	27.0/ <i>1.063</i>
21R	PG21	9.0-16.0 / <i>0.35-0.63</i>	33.0/ <i>1.299</i>
21	PG21	13.0-18.0 / <i>0.51-0.71</i>	33.0/ <i>1.299</i>
29R	PG29	12.0-20.0 / <i>0.47-0.79</i>	42.0/ <i>1.654</i>
29	PG29	18.0-25.0 / <i>0.71-0.98</i>	42.0/ <i>1.654</i>
36R	PG36	20.0-26.0 / <i>0.79-1.02</i>	53.0/ <i>2.087</i>
36	PG36	22.0-32.0 / <i>0.87-1.26</i>	53.0/ <i>2.087</i>
42	PG42	30.0-38.0 / <i>1.18-1.50</i>	60.0/ <i>2.362</i>
48	PG48	34.0-44.0 / <i>1.34-1.73</i>	65.0/ <i>2.559</i>

01SLX*/01SLX1*

FRONT VIEW



SIDE VIEW



SCPB01SLX* Environmental, no grommet
 SCPB01SLX1* Environmental with grommet

TABLE 1

SHELL SIZE	FRONT VIEW	SIDE VIEW			
	Q MAX	A +0.00/+0.000 -0.15/-0.006	K ±0.2/±0.008	L	M +0.4/+0.016 -0.0/-0.000
10SL	22.5 / <i>0.886</i>	18.2/ <i>0.717</i>	2.8/ <i>0.110</i>	* Dimension L is dependent on the backshell used, the cable range and the fitting used. Consult factory.	14.2/ <i>0.559</i>
14S	29.5 / <i>1.161</i>	24.6/ <i>0.969</i>	3.2/ <i>0.126</i>		14.2/ <i>0.559</i>
16S	31.5 / <i>1.240</i>	27.4/ <i>1.079</i>	3.2/ <i>0.126</i>		14.2/ <i>0.559</i>
16	31.5 / <i>1.240</i>	27.4/ <i>1.079</i>	3.2/ <i>0.126</i>		19.0/ <i>0.748</i>
18	34.5 / <i>1.358</i>	30.8/ <i>1.213</i>	4.0/ <i>0.157</i>		19.0/ <i>0.748</i>
20	37.5 / <i>1.476</i>	34.2/ <i>1.346</i>	4.0/ <i>0.157</i>		19.0/ <i>0.748</i>
22	40.5 / <i>1.594</i>	37.4/ <i>1.472</i>	4.0/ <i>0.157</i>		19.0/ <i>0.748</i>
24	44.5 / <i>1.752</i>	40.9/ <i>1.610</i>	4.0/ <i>0.157</i>		20.6/ <i>0.811</i>
28	50.0 / <i>1.969</i>	46.7/ <i>1.839</i>	4.0/ <i>0.157</i>		20.6/ <i>0.811</i>
32	56.5 / <i>2.224</i>	53.4/ <i>2.102</i>	4.0/ <i>0.157</i>		22.2/ <i>0.874</i>
36	63.0 / <i>2.480</i>	59.6/ <i>2.346</i>	4.0/ <i>0.157</i>		22.2/ <i>0.874</i>
40	69.0 / <i>2.717</i>	65.5/ <i>2.579</i>	4.0/ <i>0.157</i>		22.2/ <i>0.874</i>

DIMENSIONS IN ITALIC ARE INCHES.
 * CONSULT FACTORY

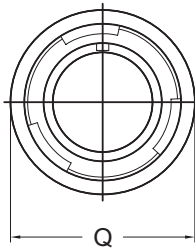
TABLE 2: CABLE RANGE CODE

(XX) CABLE CODE	TYPE	P CABLE RANGE	A WRENCH FLATS
SPB07R	PG7	2.0-5.0 / <i>0.08-0.20</i>	15.0 / <i>0.591</i>
SPB07	PG7	3.0-6.5 / <i>0.12-0.26</i>	15.0 / <i>0.591</i>
SPB09R	PG9	2.0-6.0 / <i>0.08-0.24</i>	19.0 / <i>0.748</i>
SPB09	PG9	4.0-8.0 / <i>0.16-0.31</i>	19.0 / <i>0.748</i>
SPB11R	PG11	3.0-7.0 / <i>0.12-0.28</i>	22.0 / <i>0.866</i>
SPB11	PG11	5.0-10.0 / <i>0.20-0.39</i>	22.0 / <i>0.866</i>
SPB13R	PG13.5	5.0-9.0 / <i>0.20-0.35</i>	24.0 / <i>0.945</i>
SPB13	PG13.5	6.0-12.0 / <i>0.24-0.47</i>	24.0 / <i>0.945</i>
SPB16R	PG16	7.0-12.0 / <i>0.28-0.47</i>	27.0 / <i>1.063</i>
SPB16	PG16	10.0-14.0 / <i>0.39-0.55</i>	27.0 / <i>1.063</i>
SPB21R	PG21	9.0-16.0 / <i>0.35-0.63</i>	33.0 / <i>1.299</i>
SPB21	PG21	13.0-18.0 / <i>0.51-0.71</i>	33.0 / <i>1.299</i>
SPB29R	PG29	12.0-20.0 / <i>0.47-0.79</i>	42.0 / <i>1.654</i>
SPB29	PG29	18.0-25.0 / <i>0.71-0.98</i>	42.0 / <i>1.654</i>
SPB36R	PG36	20.0-26.0 / <i>0.79-1.02</i>	53.0 / <i>2.087</i>
SPB36	PG36	22.0-32.0 / <i>0.87-1.26</i>	53.0 / <i>2.087</i>
SPB42	PG42	30.0-38.0 / <i>1.18-1.50</i>	60.0 / <i>2.362</i>
SPB48	PG48	34.0-44.0 / <i>1.34-1.73</i>	65.0 / <i>2.559</i>

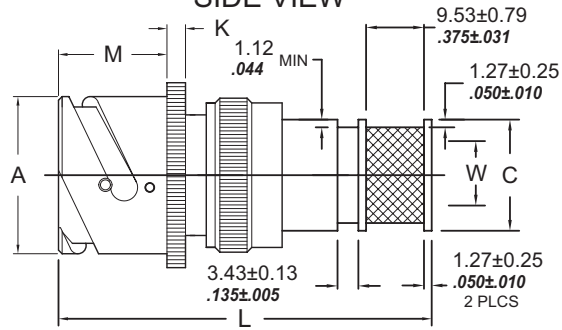
IN-LINE RECEPTACLE

01STG*/01ST*

FRONT VIEW



SIDE VIEW



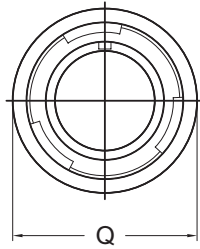
SCP B01STG* Environmental, no grommet with spin coupling nut backshell
 SCP B01ST* Environmental with grommet with spin coupling nut backshell

SHELL SIZE	FRONT VIEW	SIDE VIEW					
	Q MAX	A +0.00/+0.000 -0.15/-0.006	C MAX	K ±0.2/±0.008	L MAX	M +0.4/+0.016 -0.0/-0.000	W MIN
10SL	22.5/ <i>0.886</i>	18.2/ <i>0.717</i>	12.70/ <i>0.500</i>	2.8/ <i>0.110</i>	61.0/ <i>2.400</i>	14.2/ <i>0.559</i>	7.92/ <i>0.312</i>
14S	29.5/ <i>1.161</i>	24.6/ <i>0.969</i>	16.00/ <i>0.630</i>	3.2/ <i>0.126</i>	61.6/ <i>2.425</i>	14.2/ <i>0.559</i>	11.18/ <i>0.440</i>
16S	31.5/ <i>1.240</i>	27.4/ <i>1.079</i>	17.78/ <i>0.700</i>	3.2/ <i>0.126</i>	61.0/ <i>2.400</i>	14.2/ <i>0.559</i>	12.70/ <i>0.500</i>
16	31.5/ <i>1.240</i>	27.4/ <i>1.079</i>	17.78/ <i>0.700</i>	3.2/ <i>0.126</i>	66.7/ <i>2.625</i>	19.0/ <i>0.748</i>	12.70/ <i>0.500</i>
18	34.5/ <i>1.358</i>	30.8/ <i>1.213</i>	20.57/ <i>0.810</i>	4.0/ <i>0.157</i>	66.7/ <i>2.625</i>	19.0/ <i>0.748</i>	15.87/ <i>0.625</i>
20	37.5/ <i>1.476</i>	34.2/ <i>1.346</i>	20.57/ <i>0.810</i>	4.0/ <i>0.157</i>	66.7/ <i>2.625</i>	19.0/ <i>0.748</i>	15.87/ <i>0.625</i>
22	40.5/ <i>1.594</i>	37.4/ <i>1.472</i>	22.10/ <i>0.870</i>	4.0/ <i>0.157</i>	66.7/ <i>2.625</i>	19.0/ <i>0.748</i>	17.53/ <i>0.690</i>
24	44.5/ <i>1.752</i>	40.9/ <i>1.610</i>	23.87/ <i>0.940</i>	4.0/ <i>0.157</i>	68.6/ <i>2.700</i>	20.6/ <i>0.811</i>	19.05/ <i>0.750</i>
28	50.0/ <i>1.969</i>	46.7/ <i>1.839</i>	26.90/ <i>1.060</i>	4.0/ <i>0.157</i>	68.6/ <i>2.700</i>	20.6/ <i>0.811</i>	22.23/ <i>0.875</i>
32	56.5/ <i>2.224</i>	53.4/ <i>2.102</i>	CONSULT SALES	4.0/ <i>0.157</i>	CONSULT SALES	22.2/ <i>0.874</i>	CONSULT SALES
36	63.0/ <i>2.480</i>	59.6/ <i>2.346</i>		4.0/ <i>0.157</i>		22.2/ <i>0.874</i>	
40	69.0/ <i>2.717</i>	65.5/ <i>2.579</i>		4.0/ <i>0.157</i>		22.2/ <i>0.874</i>	

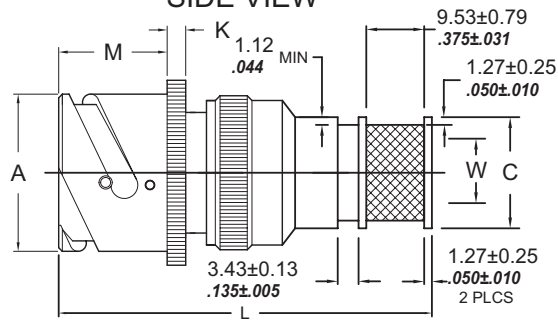
DIMENSIONS IN ITALIC ARE INCHES.

01SUG*/01SU*

FRONT VIEW



SIDE VIEW

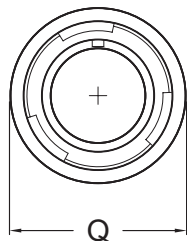


SCP B01SUG* Environmental, no grommet with solid backshell
 SCP B01SU* Environmental with grommet with solid backshell

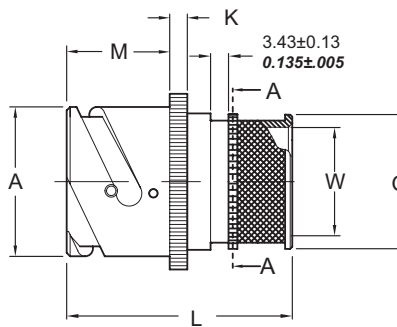
SHELL SIZE	FRONT VIEW	SIDE VIEW					
	Q MAX	A +0.00/+0.000 -0.15/-0.006	C ±0.08/±0.003	K ±0.2/±0.008	L MAX	M +0.4/+0.016 -0.0/-0.000	W ±0.13/±0.005
10SL	22.5/ <i>0.886</i>	18.2/ <i>0.717</i>	12.70/ <i>0.500</i>	2.8/ <i>0.110</i>	61.0/ <i>2.400</i>	14.2/ <i>0.559</i>	7.92/ <i>0.312</i>
14S	29.5/ <i>1.161</i>	24.6/ <i>0.969</i>	16.00/ <i>0.630</i>	3.2/ <i>0.126</i>	61.6/ <i>2.425</i>	14.2/ <i>0.559</i>	11.18/ <i>0.440</i>
16S	31.5/ <i>1.240</i>	27.4/ <i>1.079</i>	17.78/ <i>0.700</i>	3.2/ <i>0.126</i>	61.0/ <i>2.400</i>	14.2/ <i>0.559</i>	12.70/ <i>0.500</i>
16	31.5/ <i>1.240</i>	27.4/ <i>1.079</i>	17.78/ <i>0.700</i>	3.2/ <i>0.126</i>	66.7/ <i>2.625</i>	19.0/ <i>0.748</i>	12.70/ <i>0.500</i>
18	34.5/ <i>1.358</i>	30.8/ <i>1.213</i>	20.57/ <i>0.810</i>	4.0/ <i>0.157</i>	66.7/ <i>2.625</i>	19.0/ <i>0.748</i>	15.87/ <i>0.625</i>
20	37.5/ <i>1.476</i>	34.2/ <i>1.346</i>	20.57/ <i>0.810</i>	4.0/ <i>0.157</i>	66.7/ <i>2.625</i>	19.0/ <i>0.748</i>	15.87/ <i>0.625</i>
22	40.5/ <i>1.594</i>	37.4/ <i>1.472</i>	22.10/ <i>0.870</i>	4.0/ <i>0.157</i>	66.7/ <i>2.625</i>	19.0/ <i>0.748</i>	17.53/ <i>0.690</i>
24	44.5/ <i>1.752</i>	40.9/ <i>1.610</i>	23.87/ <i>0.940</i>	4.0/ <i>0.157</i>	68.6/ <i>2.700</i>	20.6/ <i>0.811</i>	19.05/ <i>0.750</i>
28	50.0/ <i>1.969</i>	46.7/ <i>1.839</i>	26.90/ <i>1.060</i>	4.0/ <i>0.157</i>	68.6/ <i>2.700</i>	20.6/ <i>0.811</i>	22.23/ <i>0.875</i>
32	56.5/ <i>2.224</i>	53.4/ <i>2.102</i>	CONSULT SALES	4.0/ <i>0.157</i>	CONSULT SALES	22.2/ <i>0.874</i>	CONSULT SALES
36	63.0/ <i>2.480</i>	59.6/ <i>2.346</i>		4.0/ <i>0.157</i>		22.2/ <i>0.874</i>	
40	69.0/ <i>2.717</i>	65.5/ <i>2.579</i>		4.0/ <i>0.157</i>		22.2/ <i>0.874</i>	

DIMENSIONS IN ITALIC ARE INCHES.

FRONT VIEW



SIDE VIEW



SHELL SIZES:
10SL, 14S & 16S
6.35±0.13
0.250±.005
FOR .125 BAND

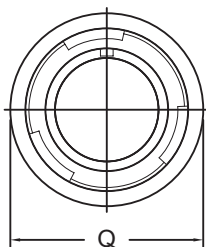
SHELL SIZES:
16-40
9.14±0.13
0.360±.005
FOR .240 BAND

SCPB01SV* Environmental, no grommet

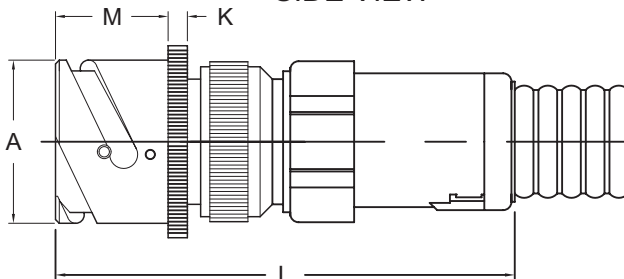
SHELL SIZE	FRONT VIEW		SIDE VIEW						
	Q MAX	A +0.00/+0.000 -0.15/-0.006	G ±0.2/±0.008	K ±0.2/±0.008	L MAX	M +0.4/+0.016 -0.0/-0.000	W MIN	X ±0.4/±0.016	
								.240 BAND	.120 BAND
10SL	22.5/ 0.886	18.2/ 0.717	16.1/ 0.632	2.8/ 0.110	33.53/ 1.320	14.2/ 0.559	12.1/ 0.475	-	5.8/ 0.230
14S	29.5/ 1.161	24.6/ 0.969	19.2/ 0.755	3.2/ 0.126	33.53/ 1.320	14.2/ 0.559	15.4/ 0.605	-	5.8/ 0.230
16S	31.5/ 1.240	27.4/ 1.079	22.4/ 0.880	3.2/ 0.126	33.53/ 1.320	14.2/ 0.559	18.7/ 0.735	-	5.8/ 0.230
16	31.5/ 1.240	27.4/ 1.079	22.4/ 0.880	3.2/ 0.126	42.80/ 1.685	19.0/ 0.748	18.7/ 0.735	3.7/ 0.145	-
18	34.5/ 1.358	30.8/ 1.213	25.5/ 1.005	4.0/ 0.157	42.80/ 1.685	19.0/ 0.748	21.9/ 0.860	3.7/ 0.145	-
20	37.5/ 1.476	34.2/ 1.346	28.7/ 1.130	4.0/ 0.157	42.80/ 1.685	19.0/ 0.748	24.8/ 0.975	3.7/ 0.145	-
22	40.5/ 1.594	37.4/ 1.472	31.9/ 1.255	4.0/ 0.157	42.80/ 1.685	19.0/ 0.748	28.1/ 1.105	3.7/ 0.145	-
24	44.5/ 1.752	40.9/ 1.610	35.1/ 1.380	4.0/ 0.157	42.80/ 1.685	20.6/ 0.811	31.2/ 1.230	3.7/ 0.145	-
28	50.0/ 1.969	46.7/ 1.839	41.4/ 1.630	4.0/ 0.157	43.82/ 1.725	20.6/ 0.811	35.9/ 1.415	4.7/ 0.185	-
32	56.5/ 2.224	53.4/ 2.102	47.8/ 1.880	4.0/ 0.157	43.82/ 1.725	22.2/ 0.874	43.1/ 1.695	4.7/ 0.185	-
36	63.0/ 2.480	59.6/ 2.346	52.5/ 2.067	4.0/ 0.157	43.82/ 1.725	22.2/ 0.874	48.0/ 1.890	4.7/ 0.185	-
40	69.0/ 2.717	65.5/ 2.579	58.9/ 2.317	4.0/ 0.157	43.82/ 1.725	22.2/ 0.874	53.8/ 2.120	4.7/ 0.185	-

DIMENSIONS IN ITALIC ARE INCHES.

FRONT VIEW



SIDE VIEW



SCPB01TRAC* Environmental with grommet

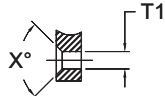
SHELL SIZE	FRONT VIEW		SIDE VIEW			
	Q MAX	A +0.00/+0.000 -0.15/-0.006	K ±0.2/±0.008	L	M +0.4/+0.016 -0.0/-0.000	
10SL	22.5/ 0.886	18.2/ 0.717	2.8/ 0.110		14.2/ 0.559	
14S	29.5/ 1.161	24.6/ 0.969	3.2/ 0.126		14.2/ 0.559	
16S	31.5/ 1.240	27.4/ 1.079	3.2/ 0.126		14.2/ 0.559	
16	31.5/ 1.240	27.4/ 1.079	3.2/ 0.126	* Dimension L is dependent on the backshell used, the cable range and the fitting used. Consult factory.	19.0/ 0.748	
18	34.5/ 1.358	30.8/ 1.213	4.0/ 0.157		19.0/ 0.748	
20	37.5/ 1.476	34.2/ 1.346	4.0/ 0.157		19.0/ 0.748	
22	40.5/ 1.594	37.4/ 1.472	4.0/ 0.157		19.0/ 0.748	
24	44.5/ 1.752	40.9/ 1.610	4.0/ 0.157		20.6/ 0.811	
28	50.0/ 1.969	46.7/ 1.839	4.0/ 0.157		20.6/ 0.811	
32	56.5/ 2.224	53.4/ 2.102	4.0/ 0.157		22.2/ 0.874	
36	63.0/ 2.480	59.6/ 2.346	4.0/ 0.157		22.2/ 0.874	
40	69.0/ 2.717	65.5/ 2.579	4.0/ 0.157		22.2/ 0.874	

DIMENSIONS IN ITALIC ARE INCHES.

BOX MOUNT RECEPTACLE

02A*/02R*

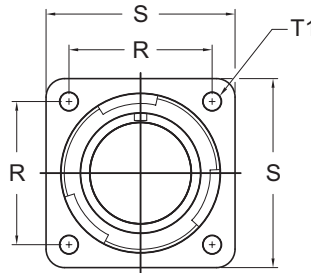
MOUNTING HOLE OPTIONS



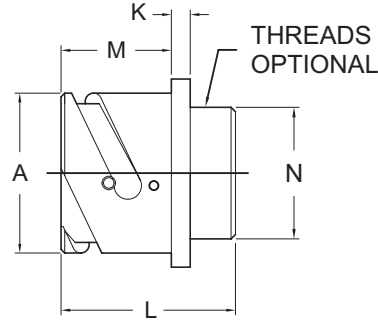
THREADED MOUNTING HOLE CODES

CODE	MOUNTING HOLE TYPE
None	Thru holes
FF	Metric thread
UN	UNC thread
FS	Thru holes W/ Metric C'Sink (X=90°)
FSM	Thru holes W/ UN C'Sink (X=82°)

FRONT VIEW



SIDE VIEW



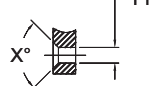
SCPB02A* Non-environmental
SCPB02R* Environmental when used with sealing gasket

SHELL SIZE	FRONT VIEW						SIDE VIEW				
	R	S	T1	T2 THREAD		A	K	L	M	N	
	±0.1/±.004	±0.3/±0.12	+0.1/+0.004 -0.0/-0.000	METRIC	UNC	+0.00/+0.000 -0.15/-0.006	±0.2/±.008	±0.3/±0.12	+0.4/+0.016 -0.0/-0.000	MAX	
10SL	18.2/0.717	25.4/1.000	3.2/0.126	M4	8-32UNC	18.2/0.717	2.8/0.110	27.6/1.087	14.2/0.559	16.2/0.638	
14S	23.0/0.906	30.0/1.181	3.2/0.126	M4	8-32UNC	24.6/0.969	3.2/0.126	27.6/1.087	14.2/0.559	19.2/0.756	
16S	24.6/0.969	32.5/1.280	3.2/0.126	M4	8-32UNC	27.4/1.079	3.2/0.126	27.6/1.087	14.2/0.559	22.4/0.882	
16	24.6/0.969	32.5/1.280	3.2/0.126	M4	8-32UNC	27.4/1.079	3.2/0.126	33.8/1.331	19.0/0.748	22.4/0.882	
18	27.0/1.063	35.0/1.378	3.2/0.126	M4	8-32UNC	30.8/1.213	4.0/0.157	33.8/1.331	19.0/0.748	25.6/1.008	
20	29.4/1.157	38.0/1.496	3.2/0.126	M4	8-32UNC	34.2/1.346	4.0/0.157	33.8/1.331	19.0/0.748	29.0/1.142	
22	31.8/1.252	41.0/1.614	3.2/0.126	M4	8-32UNC	37.4/1.472	4.0/0.157	33.8/1.331	19.0/0.748	32.2/1.268	
24	34.9/1.374	44.5/1.752	3.7/0.146	M4	10-24UNC	40.9/1.610	4.0/0.157	35.8/1.409	20.6/0.811	35.3/1.390	
28	39.7/1.563	50.8/2.000	3.7/0.146	M5	10-24UNC	46.7/1.839	4.0/0.157	35.8/1.409	20.6/0.811	41.4/1.630	
32	44.5/1.752	57.0/2.244	4.3/0.169	M5	1/4-20UNC	53.4/2.102	4.0/0.157	37.3/1.469	22.2/0.874	47.8/1.882	
36	49.2/1.937	63.5/2.500	4.3/0.169	M5	1/4-20UNC	59.6/2.346	4.0/0.157	37.3/1.469	22.2/0.874	54.1/2.130	
40	55.5/2.185	69.8/2.748	4.3/0.169	M5	1/4-20UNC	65.5/2.579	4.0/0.157	37.3/1.469	22.2/0.874	59.0/2.323	

DIMENSIONS IN ITALIC ARE INCHES.

02YM*

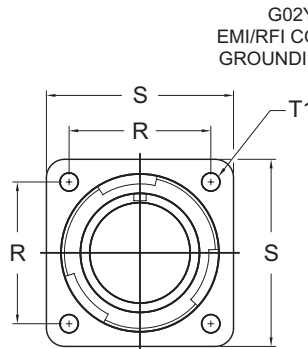
MOUNTING HOLE OPTIONS



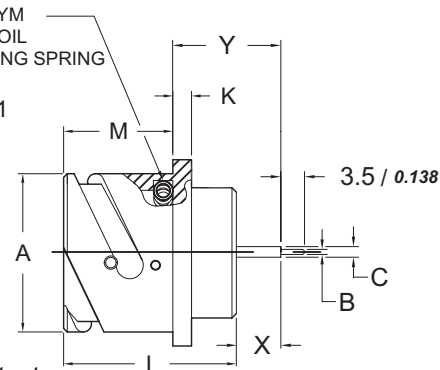
THREADED MOUNTING HOLE CODES

CODE	MOUNTING HOLE TYPE
None	Thru holes
FF	Metric thread
UN	UNC thread
FS	Thru holes W/ Metric C'Sink (X=90°)
FSM	Thru holes W/ UN C'Sink (X=82°)

FRONT VIEW



SIDE VIEW



SCPB02 YM* Environmental with PC tail contacts
SCPBG02 YM* Environmental with PC tail contacts & ground spring

AVAILABLE CONTACT	B +0.00/+0.00 -0.05/-0.002	C +0.00/+0.00 -0.10/-0.004
SIZE 16S AND 16	0.75 / 0.030	1.6 / 0.063
SIZE 12	1.8 / 0.071	3.4 / 0.134

Connectors are available only with contact sizes 16S, 16 and 12. For different contact sizes please consult factory.

SHELL SIZE	FRONT VIEW						SIDE VIEW										
	R	S	T1	T2 THREAD		A	K	L	M	TYPE YM		TYPE YM1		TYPE YM2		TYPE YM3	
	±0.1/±.004	±0.3/±0.12	+0.1/+0.004 -0.0/-0.000	METRIC	UNC	+0.00/+0.000 -0.15/-0.006	±0.2/±.008	±0.3/±0.12	+0.4/+0.016 -0.0/-0.000	X**	Y**	X**	Y**	X**	Y**	X**	Y**
10SL	18.2/0.717	25.4/1.000	3.2/0.126	M4	8-32UNC	18.2/0.717	2.8/0.110	27.6/1.087	14.2/0.559	5/0.197*	18.4/0.725*	6.6/0.260*	20.0/0.788*	3.4/0.134*	16.8/0.662*	1.8/0.071*	15.2/0.599*
14S	23.0/0.906	30.0/1.181	3.2/0.126	M4	8-32UNC	24.6/0.969	3.2/0.126	27.6/1.087	14.2/0.559	5/0.197*	18.4/0.725*	6.6/0.260*	20.0/0.788*	3.4/0.134*	16.8/0.662*	1.8/0.071*	15.2/0.599*
16S	24.6/0.969	32.5/1.280	3.2/0.126	M4	8-32UNC	27.4/1.079	3.2/0.126	27.6/1.087	14.2/0.559	5/0.197*	18.4/0.725*	6.6/0.260*	20.0/0.788*	3.4/0.134*	16.8/0.662*	1.8/0.071*	15.2/0.599*
16	24.6/0.969	32.5/1.280	3.2/0.126	M4	8-32UNC	27.4/1.079	3.2/0.126	33.8/1.331	19.0/0.748	5/0.197	19.8/0.780	6.6/0.260	21.4/0.843	3.4/0.134*	18.2/0.717*	1.8/0.071*	16.6/0.654*
18	27.0/1.063	35.0/1.378	3.2/0.126	M4	8-32UNC	30.8/1.213	4.0/0.157	33.8/1.331	19.0/0.748	5/0.197	19.8/0.780	6.6/0.260	21.4/0.843	3.4/0.134*	18.2/0.717*	1.8/0.071*	16.6/0.654*
20	29.4/1.157	38.0/1.496	3.2/0.126	M4	8-32UNC	34.2/1.346	4.0/0.157	33.8/1.331	19.0/0.748	5/0.197	19.8/0.780	6.6/0.260	21.4/0.843	3.4/0.134*	18.2/0.717*	1.8/0.071*	16.6/0.654*
22	31.8/1.252	41.0/1.614	3.2/0.126	M4	8-32UNC	37.4/1.472	4.0/0.157	33.8/1.331	19.0/0.748	5/0.197	19.8/0.780	6.6/0.260	21.4/0.843	3.4/0.134*	18.2/0.717*	1.8/0.071*	16.6/0.654*
24	34.9/1.374	44.5/1.752	3.7/0.146	M4	10-24UNC	40.9/1.610	4.0/0.157	35.8/1.409	20.6/0.811	5/0.197	20.2/0.795	6.6/0.260	21.8/0.858	3.4/0.134*	18.6/0.732*	1.8/0.071*	17.0/0.669*
28	39.7/1.563	50.8/2.000	3.7/0.146	M5	10-24UNC	46.7/1.839	4.0/0.157	35.8/1.409	20.6/0.811	5/0.197	20.2/0.795	6.6/0.260*	21.8/0.858*	3.4/0.134	18.6/0.732	1.8/0.071*	17.0/0.669*
32	44.5/1.752	57.0/2.244	4.3/0.169	M5	1/4-20UNC	53.4/2.102	4.0/0.157	37.3/1.469	22.2/0.874	5/0.197*	20.1/0.792*	6.6/0.260*	21.7/0.855*	3.4/0.134	18.5/0.729	1.8/0.071	16.9/0.666
36	49.2/1.937	63.5/2.500	4.3/0.169	M5	1/4-20UNC	59.6/2.346	4.0/0.157	37.3/1.469	22.2/0.874	5/0.197*	20.1/0.792*	6.6/0.260*	21.7/0.855*	3.4/0.134	18.5/0.729	1.8/0.071	16.9/0.666
40	55.5/2.185	69.8/2.752	4.3/0.169	M5	1/4-20UNC	65.5/2.579	4.0/0.157	37.3/1.469	22.2/0.874	5/0.197*	20.1/0.792*	6.6/0.260*	21.7/0.855*	3.4/0.134	18.5/0.729	1.8/0.071	16.9/0.666

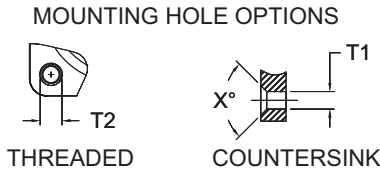
DIMENSIONS IN ITALIC ARE INCHES.

* CONSULT FACTORY

** ±.020

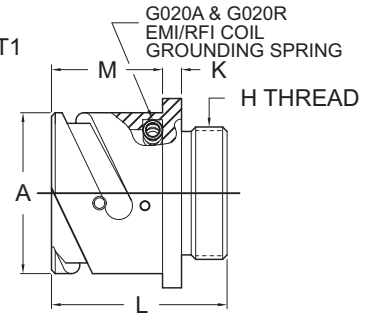
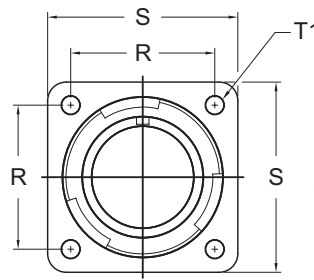
WALL MOUNT RECEPTACLE

020A*/G020A*/020R*/G020R*



FRONT VIEW

SIDE VIEW



MOUNTING HOLE CODES

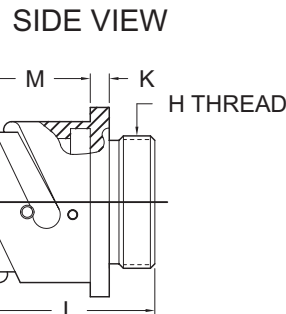
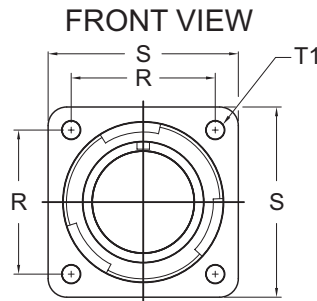
CODE	MOUNTING HOLE TYPE
None	Thru holes
FF	Metric thread
UN	UNC thread
FS	Thru holes W/ Metric C'Sink (X=90°)
FSM	Thru holes W/ UN C'Sink (X=82°)

- SCPB020A* Non-environmental, no grommet
- SCPBG020A* Non-environmental, with EMI/RFI ground spring
- SCPB020R* Environmental, no grommet
- SCPBG020R* With EMI/RFI ground spring

SHELL SIZE	FRONT VIEW						SIDE VIEW				
	R	S	T1	T2		A	H	K	L	M	
	$\pm 0.1/ \pm 0.004$	$\pm 0.3/ \pm 0.012$	$+0.1/ +.004$ $-0.0/ -.000$	THREAD		$+0.00/ +.000$ $-0.15/ -.006$	THREAD CLASS 2A	$\pm 0.2/ \pm 0.008$	$\pm 0.3/ \pm 0.012$	$+0.4/ +.016$ $-0.0/ -.000$	
10SL	18.2/ <i>0.717</i>	25.4/ <i>1.000</i>	3.2/ <i>0.126</i>	M4	8-32UNC	18.2/ <i>0.717</i>	5/8-24 UNEF	2.8/ <i>0.110</i>	27.6/ <i>1.087</i>	14.2/ <i>0.559</i>	
14S	23.0/ <i>0.906</i>	30.0/ <i>1.181</i>	3.2/ <i>0.126</i>	M4	8-32UNC	24.6/ <i>0.969</i>	3/4-20 UNEF	3.2/ <i>0.126</i>	27.6/ <i>1.087</i>	14.2/ <i>0.559</i>	
16S	24.6/ <i>0.969</i>	32.5/ <i>1.280</i>	3.2/ <i>0.126</i>	M4	8-32UNC	27.4/ <i>1.079</i>	7/8-20 UNEF	3.2/ <i>0.126</i>	27.6/ <i>1.087</i>	14.2/ <i>0.559</i>	
16	24.6/ <i>0.969</i>	32.5/ <i>1.280</i>	3.2/ <i>0.126</i>	M4	8-32UNC	27.4/ <i>1.079</i>	7/8-20 UNEF	3.2/ <i>0.126</i>	33.8/ <i>1.331</i>	19.0/ <i>0.748</i>	
18	27.0/ <i>1.063</i>	35.0/ <i>1.378</i>	3.2/ <i>0.126</i>	M4	8-32UNC	30.8/ <i>1.213</i>	1-20 UNEF	4.0/ <i>0.157</i>	33.8/ <i>1.331</i>	19.0/ <i>0.748</i>	
20	29.4/ <i>1.157</i>	38.0/ <i>1.496</i>	3.2/ <i>0.126</i>	M4	8-32UNC	34.2/ <i>1.346</i>	1 1/8-18 UNEF	4.0/ <i>0.157</i>	33.8/ <i>1.331</i>	19.0/ <i>0.748</i>	
22	31.8/ <i>1.252</i>	41.0/ <i>1.614</i>	3.2/ <i>0.126</i>	M4	8-32UNC	37.4/ <i>1.472</i>	1 1/4-18 UNEF	4.0/ <i>0.157</i>	33.8/ <i>1.331</i>	19.0/ <i>0.748</i>	
24	34.9/ <i>1.374</i>	44.5/ <i>1.752</i>	3.7/ <i>0.146</i>	M4	10-24UNC	40.9/ <i>1.610</i>	1 3/8-18 UNEF	4.0/ <i>0.157</i>	35.8/ <i>1.409</i>	20.6/ <i>0.811</i>	
28	39.7/ <i>1.563</i>	50.8/ <i>2.000</i>	3.7/ <i>0.146</i>	M5	10-24UNC	46.7/ <i>1.839</i>	1 5/8-18 UNEF	4.0/ <i>0.157</i>	35.8/ <i>1.409</i>	20.6/ <i>0.811</i>	
32	44.5/ <i>1.752</i>	57.0/ <i>2.244</i>	4.3/ <i>0.169</i>	M5	1/4-20UNC	53.4/ <i>2.102</i>	1 7/8-16 UN	4.0/ <i>0.157</i>	37.3/ <i>1.469</i>	22.2/ <i>0.874</i>	
36	49.2/ <i>1.937</i>	63.5/ <i>2.500</i>	4.3/ <i>0.169</i>	M5	1/4-20UNC	59.6/ <i>2.346</i>	2 1/16-16 UN	4.0/ <i>0.157</i>	37.3/ <i>1.469</i>	22.2/ <i>0.874</i>	
40	55.5/ <i>2.185</i>	69.9/ <i>2.752</i>	4.3/ <i>0.169</i>	M5	1/4-20UNC	65.5/ <i>2.579</i>	2 5/16-16 UNS	4.0/ <i>0.157</i>	37.3/ <i>1.469</i>	22.2/ <i>0.874</i>	

DIMENSIONS IN ITALIC ARE INCHES.

020FR*



SCPB020 FR* Environmental, no grommet
EXAMPLE PART NUMBER: SCPB020FR24-28P

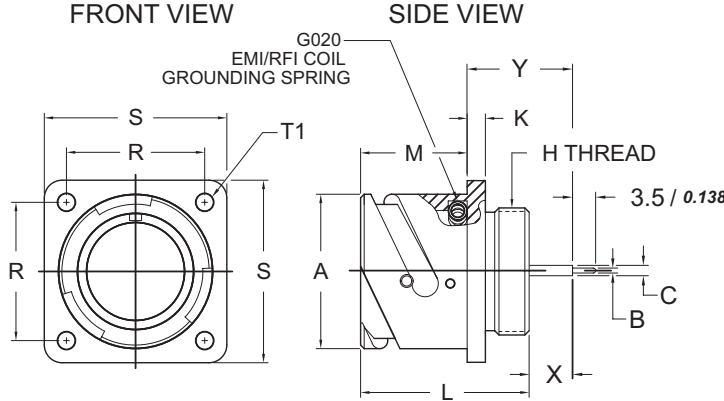
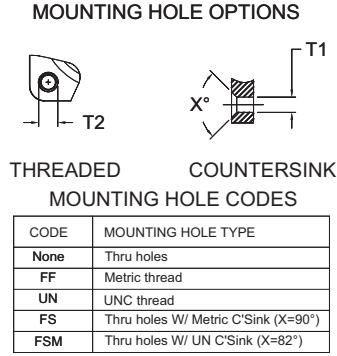
FINISH: BLACK ANODIZE
CONTACTS: F80 SILVER PLATED CRIMP CONTACTS

SHELL SIZE	FRONT VIEW			SIDE VIEW					
	R	S	T1	A	H	K	L	M	
	$\pm 0.1/ \pm 0.004$	$\pm 0.3/ \pm 0.012$	$+0.1/ +.004$ $-0.0/ -.000$	$+0.00/ +.000$ $-0.15/ -.006$	THREAD CLASS 2A	$\pm 0.2/ \pm 0.008$	$\pm 0.3/ \pm 0.012$	$+0.4/ +.016$ $-0.0/ -.000$	
10SL	18.2/ <i>0.717</i>	25.4/ <i>1.000</i>	3.2/ <i>0.126</i>	18.2/ <i>0.717</i>	5/8-24 UNEF	2.8/ <i>0.110</i>	27.6/ <i>1.087</i>	14.2/ <i>0.559</i>	
14S	23.0/ <i>0.906</i>	30.0/ <i>1.181</i>	3.2/ <i>0.126</i>	24.6/ <i>0.969</i>	3/4-20 UNEF	3.2/ <i>0.126</i>	27.6/ <i>1.087</i>	14.2/ <i>0.559</i>	
16S	24.6/ <i>0.969</i>	32.5/ <i>1.280</i>	3.2/ <i>0.126</i>	27.4/ <i>1.079</i>	7/8-20 UNEF	3.2/ <i>0.126</i>	27.6/ <i>1.087</i>	14.2/ <i>0.559</i>	
16	24.6/ <i>0.969</i>	32.5/ <i>1.280</i>	3.2/ <i>0.126</i>	27.4/ <i>1.079</i>	7/8-20 UNEF	3.2/ <i>0.126</i>	33.8/ <i>1.331</i>	19.0/ <i>0.748</i>	
18	27.0/ <i>1.063</i>	35.0/ <i>1.378</i>	3.2/ <i>0.126</i>	30.8/ <i>1.213</i>	1-20 UNEF	4.0/ <i>0.157</i>	33.8/ <i>1.331</i>	19.0/ <i>0.748</i>	
20	29.4/ <i>1.157</i>	38.0/ <i>1.496</i>	3.2/ <i>0.126</i>	34.2/ <i>1.346</i>	1 1/8-18 UNEF	4.0/ <i>0.157</i>	33.8/ <i>1.331</i>	19.0/ <i>0.748</i>	
22	31.8/ <i>1.252</i>	41.0/ <i>1.614</i>	3.2/ <i>0.126</i>	37.4/ <i>1.472</i>	1 1/4-18 UNEF	4.0/ <i>0.157</i>	33.8/ <i>1.331</i>	19.0/ <i>0.748</i>	
24	34.9/ <i>1.374</i>	44.5/ <i>1.752</i>	3.7/ <i>0.146</i>	40.9/ <i>1.610</i>	1 3/8-18 UNEF	4.0/ <i>0.157</i>	35.8/ <i>1.409</i>	20.6/ <i>0.811</i>	
28	39.7/ <i>1.563</i>	50.8/ <i>2.000</i>	3.7/ <i>0.146</i>	46.7/ <i>1.839</i>	1 5/8-18 UNEF	4.0/ <i>0.157</i>	35.8/ <i>1.409</i>	20.6/ <i>0.811</i>	
32	44.5/ <i>1.752</i>	57.0/ <i>2.244</i>	4.3/ <i>0.169</i>	53.4/ <i>2.102</i>	1 7/8-16 UN	4.0/ <i>0.157</i>	37.3/ <i>1.469</i>	22.2/ <i>0.874</i>	
36	49.2/ <i>1.937</i>	63.5/ <i>2.500</i>	4.3/ <i>0.169</i>	59.6/ <i>2.346</i>	2 1/16-16 UN	4.0/ <i>0.157</i>	37.3/ <i>1.469</i>	22.2/ <i>0.874</i>	
40	55.5/ <i>2.185</i>	69.9/ <i>2.752</i>	4.3/ <i>0.169</i>	65.5/ <i>2.579</i>	2 5/16-16 UNS	4.0/ <i>0.157</i>	37.3/ <i>1.469</i>	22.2/ <i>0.874</i>	

DIMENSIONS IN ITALIC ARE INCHES.

WALL MOUNT RECEPTACLE

020YM*/G020YM*



SCPBO20YM* Environmental with PC tail contacts
 SCPBG020YM* Environmental with PC tail contacts & ground spring

AVAILABLE CONTACT	B +0.00 /+0.00 -0.05 /-0.02	C +0.00 /+0.00 -0.10 /-0.04
SIZE 16S AND 16	0.75 / 0.030	1.6 / 0.063
SIZE 12	1.8 / 0.071	3.4 / 0.134

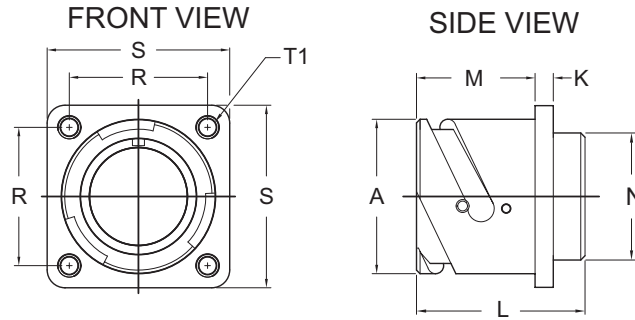
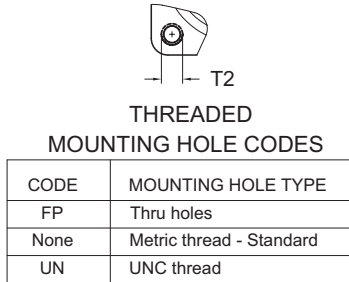
Connectors are available only with contact sizes 16S, 16 and 12. For different contact sizes please consult factory.

SHELL SIZE	FRONT VIEW				SIDE VIEW													
	R ±0.1/±0.04	S ±0.3±0.012	T1 +0.1/+0.04 -0.0/-0.00	T2 THREAD		A +0.00/+0.00 -0.15/-0.06	K ±0.2±0.008	L ±0.3±0.012	M +0.4/+0.16 -0.0/-0.00	H THREAD CLASS 2A	TYPE YM		TYPE YM1		TYPE YM2		TYPE YM3	
				METRIC	UNC						X**	Y**	X**	Y**	X**	Y**	X**	Y**
10SL	18.2/0.717	25.4/1.000	3.2/0.126	M4	8-32UNC	18.2/0.717	2.8/0.110	27.6/1.087	14.2/0.559	5/8-24UNEF	5/0.197*	18.4/0.725*	6.6/0.260*	20.0/0.788*	3.4/0.134*	16.8/0.662*	1.8/0.071*	15.2/0.599*
14S	23.0/0.906	30.0/1.181	3.2/0.126	M4	8-32UNC	24.6/0.969	3.2/0.126	27.6/1.087	14.2/0.559	3/4-20UNEF	5/0.197*	18.4/0.725*	6.6/0.260*	20.0/0.788*	3.4/0.134*	16.8/0.662*	1.8/0.071*	15.2/0.599*
16S	24.6/0.969	32.5/1.280	3.2/0.126	M4	8-32UNC	27.4/1.079	3.2/0.126	27.6/1.087	14.2/0.559	7/8-20UNEF	5/0.197*	18.4/0.725*	6.6/0.260*	20.0/0.788*	3.4/0.134*	16.8/0.662*	1.8/0.071*	15.2/0.599*
16	24.6/0.969	32.5/1.280	3.2/0.126	M4	8-32UNC	27.4/1.079	3.2/0.126	33.8/1.331	19.0/0.748	7/8-20UNEF	5/0.197*	19.8/0.780	6.6/0.260	21.4/0.843	3.4/0.134*	18.2/0.717*	1.8/0.071*	16.6/0.654*
18	27.0/1.063	35.0/1.378	3.2/0.126	M4	8-32UNC	30.8/1.213	4.0/0.157	33.8/1.331	19.0/0.748	1-20UNEF	5/0.197*	19.8/0.780	6.6/0.260	21.4/0.843	3.4/0.134*	18.2/0.717*	1.8/0.071*	16.6/0.654*
20	29.4/1.157	38.0/1.496	3.2/0.126	M4	8-32UNC	34.2/1.346	4.0/0.157	33.8/1.331	19.0/0.748	1 1/8-18UNEF	5/0.197*	19.8/0.780	6.6/0.260	21.4/0.843	3.4/0.134*	18.2/0.717*	1.8/0.071*	16.6/0.654*
22	31.8/1.252	41.0/1.614	3.2/0.126	M4	8-32UNC	37.4/1.472	4.0/0.157	33.8/1.331	19.0/0.748	1 1/4-18UNEF	5/0.197*	19.8/0.780	6.6/0.260	21.4/0.843	3.4/0.134*	18.2/0.717*	1.8/0.071*	16.6/0.654*
24	34.9/1.374	44.5/1.752	3.7/0.146	M4	10-24UNC	40.9/1.610	4.0/0.157	35.8/1.409	20.6/0.811	1 3/8-18UNEF	5/0.197*	20.2/0.795	6.6/0.260	21.8/0.858	3.4/0.134*	18.6/0.732*	1.8/0.071*	17.0/0.669*
28	39.7/1.563	50.8/2.000	3.7/0.146	M5	10-24UNC	46.7/1.839	4.0/0.157	35.8/1.409	20.6/0.811	1 5/8-18UNEF	5/0.197*	20.2/0.795	6.6/0.260	21.8/0.858	3.4/0.134*	18.6/0.732*	1.8/0.071*	17.0/0.669*
32	44.5/1.752	57.0/2.244	4.3/0.169	M5	1/4-20UNC	53.4/2.102	4.0/0.157	37.3/1.469	22.2/0.874	1 7/8-16UN	5/0.197**	20.1/0.792*	6.6/0.260*	21.7/0.855*	3.4/0.134	18.5/0.729	1.8/0.071	16.9/0.666
36	49.2/1.937	63.5/2.500	4.3/0.169	M5	1/4-20UNC	59.6/2.346	4.0/0.157	37.3/1.469	22.2/0.874	2 1/16-16UN	5/0.197**	20.1/0.792*	6.6/0.260*	21.7/0.855*	3.4/0.134	18.5/0.729	1.8/0.071	16.9/0.666
40	55.5/2.185	69.9/2.752	4.3/0.169	M5	1/4-20UNC	65.5/2.579	4.0/0.157	37.3/1.469	22.2/0.874	2 5/16-16UNS	5/0.197**	20.1/0.792*	6.6/0.260*	21.7/0.855*	3.4/0.134	18.5/0.729	1.8/0.071	16.9/0.666

DIMENSIONS IN ITALIC ARE INCHES.
 * CONSULT FACTORY
 ** ±0.20

BOX MOUNT RECEPTACLE, REAR PANEL MOUNT

03A*/03R* MOUNTING HOLE OPTION



SCPBO3A* Non-environmental
 SCPBO3R* Environmental when used with sealing gasket

SHELL SIZE	FRONT VIEW				SIDE VIEW					
	R ±0.1/ ±0.04	S ±0.3/ ±0.012	T1 +0.1/ +0.04 -0.0/ -0.00 STYLE 03RFP	T2 THREAD		A +0.00/ +0.00 -0.15/ -0.06	K ±0.2/ ±0.008	L ±0.3/ ±0.012	M +0.4/ +0.16 -0.0/ -0.00	N MAX
				METRIC	UNC					
10SL	18.2/0.717	25.4/1.000	3.2/0.126	M4	8-32UNC	18.2/0.717	2.8/0.110	27.6/1.087	18.20/0.717	16.2/0.638
14S	23.0/0.906	30.0/1.181	3.2/0.126	M4	8-32UNC	24.6/0.969	3.2/0.126	27.6/1.087	18.20/0.717	19.2/0.756
16S	24.6/0.969	32.5/1.280	3.2/0.126	M4	8-32UNC	27.4/1.079	3.2/0.126	27.6/1.087	18.20/0.717	22.4/0.882
16	24.6/0.969	32.5/1.280	3.2/0.126	M4	8-32UNC	27.4/1.079	3.2/0.126	33.8/1.331	23.05/0.907	22.4/0.882
18	27.0/1.063	35.0/1.378	3.2/0.126	M4	8-32UNC	30.8/1.213	4.0/0.157	34.5/1.358	23.05/0.907	25.6/1.008
20	29.4/1.157	38.0/1.496	3.2/0.126	M4	8-32UNC	34.2/1.346	4.0/0.157	34.5/1.358	23.05/0.907	29.0/1.142
22	31.8/1.252	41.0/1.614	3.2/0.126	M4	8-32UNC	37.4/1.472	4.0/0.157	34.5/1.358	23.05/0.907	32.2/1.268
24	34.9/1.374	44.5/1.752	3.7/0.146	M4	10-24UNC	40.9/1.610	4.0/0.157	35.8/1.409	23.05/0.907	35.3/1.390
28	39.7/1.563	50.8/2.000	3.7/0.146	M5	10-24UNC	46.7/1.839	4.0/0.157	35.8/1.409	24.05/0.947	41.4/1.630
32	44.5/1.752	57.0/2.244	4.3/0.169	M5	1/4-20UNC	53.4/2.102	4.0/0.157	37.3/1.469	24.05/0.947	47.8/1.882
36	49.2/1.937	63.5/2.500	4.3/0.169	M5	1/4-20UNC	59.6/2.346	4.0/0.157	37.3/1.469	24.05/0.947	54.1/2.130
40	55.5/2.185	69.9/2.748	4.3/0.169	M5	1/4-20UNC	65.5/2.579	4.0/0.157	37.3/1.469	24.05/0.947	59.0/2.323

DIMENSIONS IN ITALIC ARE INCHES.

BOX MOUNT RECEPTACLE, REAR PANEL MOUNT

03YM*

MOUNTING HOLE OPTION

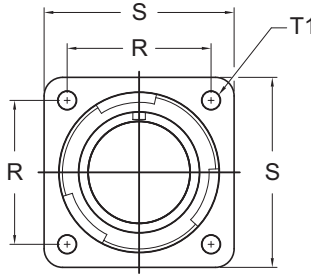


THREADED

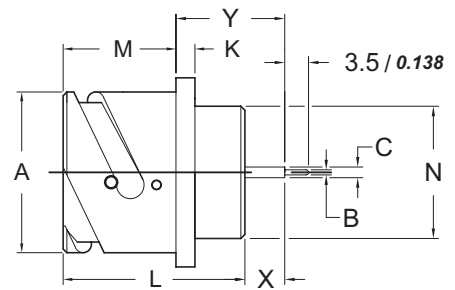
MOUNTING HOLE CODES

CODE	MOUNTING HOLE TYPE
FP	Thru holes
None	Metric thread - Standard
UN	UNC thread

FRONT VIEW



SIDE VIEW



SCPBO3 YM* Environmental when used with sealing gasket

AVAILABLE CONTACT	B +0.00 / +0.00 -0.05 / -.002	C +0.00 / +0.00 -0.10 / -.004
SIZE 16S AND 16	0.75 / 0.030	1.6 / 0.063
SIZE 12	1.8 / 0.071	3.4 / 0.134

Connectors are available only with contact sizes 16S, 16 and 12. For different contact sizes, please consult factory.

SHELL SIZE	FRONT VIEW					SIDE VIEW												
	R <i>±0.1/±.004</i>	S <i>±0.3/±.012</i>	T1 <i>+0.1/+0.004 -0.0/-0.000</i>	T2 THREAD		A <i>+0.00/+0.000 -0.15/-0.006</i>	K <i>±0.2/±.008</i>	L <i>±0.3/±.012</i>	M <i>+0.4/+0.016 -0.0/-0.000</i>	N MAX	TYPE YM		TYPE YM1		TYPE YM2		TYPE YM3	
				METRIC	UNC						X**	Y**	X**	Y**	X**	Y**	X**	Y**
10SL	<i>18.2/0.717</i>	<i>25.4/1.000</i>	<i>3.2/0.126</i>	M4	8-32UNC	<i>18.2/0.717</i>	<i>2.8/0.110</i>	<i>27.6/1.087</i>	<i>18.20/0.717</i>	<i>15.9/0.626</i>	<i>5/0.197*</i>	<i>14.4/0.567*</i>	<i>6.6/0.260*</i>	<i>16.0/0.630*</i>	<i>3.4/0.134*</i>	<i>12.8/0.504*</i>	<i>1.8/0.071*</i>	<i>11.2/0.441*</i>
14S	<i>23.0/0.906</i>	<i>30.0/1.181</i>	<i>3.2/0.126</i>	M4	8-32UNC	<i>24.6/0.969</i>	<i>3.2/0.126</i>	<i>27.6/1.087</i>	<i>18.20/0.717</i>	<i>19.2/0.756</i>	<i>5/0.197*</i>	<i>14.4/0.567*</i>	<i>6.6/0.260*</i>	<i>16.0/0.630*</i>	<i>3.4/0.134*</i>	<i>12.8/0.504*</i>	<i>1.8/0.071*</i>	<i>11.2/0.441*</i>
16S	<i>24.6/0.969</i>	<i>32.5/1.280</i>	<i>3.2/0.126</i>	M4	8-32UNC	<i>27.4/1.079</i>	<i>3.2/0.126</i>	<i>27.6/1.087</i>	<i>18.20/0.717</i>	<i>22.4/0.882</i>	<i>5/0.197*</i>	<i>14.4/0.567*</i>	<i>6.6/0.260*</i>	<i>16.0/0.630*</i>	<i>3.4/0.134*</i>	<i>12.8/0.504*</i>	<i>1.8/0.071*</i>	<i>11.2/0.441*</i>
16	<i>24.6/0.969</i>	<i>32.5/1.280</i>	<i>3.2/0.126</i>	M4	8-32UNC	<i>27.4/1.079</i>	<i>3.2/0.126</i>	<i>33.8/1.331</i>	<i>23.05/0.907</i>	<i>24.0/0.882</i>	<i>5/0.197</i>	<i>15.8/0.622</i>	<i>6.6/0.260</i>	<i>17.4/0.685</i>	<i>3.4/0.134*</i>	<i>14.2/0.559*</i>	<i>1.8/0.071*</i>	<i>12.6/0.496*</i>
18	<i>27.0/1.063</i>	<i>35.0/1.378</i>	<i>3.2/0.126</i>	M4	8-32UNC	<i>30.8/1.213</i>	<i>4.0/0.157</i>	<i>33.8/1.331</i>	<i>23.05/0.907</i>	<i>25.6/1.008</i>	<i>5/0.197</i>	<i>15.8/0.622</i>	<i>6.6/0.260</i>	<i>17.4/0.685</i>	<i>3.4/0.134*</i>	<i>14.2/0.559*</i>	<i>1.8/0.071*</i>	<i>12.6/0.496*</i>
20	<i>29.4/1.157</i>	<i>38.0/1.496</i>	<i>3.2/0.126</i>	M4	8-32UNC	<i>34.2/1.346</i>	<i>4.0/0.157</i>	<i>33.8/1.331</i>	<i>23.05/0.907</i>	<i>29.0/1.142</i>	<i>5/0.197</i>	<i>15.8/0.622</i>	<i>6.6/0.260</i>	<i>17.4/0.685</i>	<i>3.4/0.134*</i>	<i>14.2/0.559*</i>	<i>1.8/0.071*</i>	<i>12.6/0.496*</i>
22	<i>31.8/1.252</i>	<i>41.0/1.614</i>	<i>3.2/0.126</i>	M4	8-32UNC	<i>37.4/1.472</i>	<i>4.0/0.157</i>	<i>33.8/1.331</i>	<i>23.05/0.907</i>	<i>32.2/1.268</i>	<i>5/0.197</i>	<i>15.8/0.622</i>	<i>6.6/0.260</i>	<i>17.4/0.685</i>	<i>3.4/0.134*</i>	<i>14.2/0.559*</i>	<i>1.8/0.071*</i>	<i>12.6/0.496*</i>
24	<i>34.9/1.374</i>	<i>44.5/1.752</i>	<i>3.7/0.146</i>	M4	10-24UNC	<i>40.9/1.610</i>	<i>4.0/0.157</i>	<i>35.8/1.409</i>	<i>23.05/0.907</i>	<i>35.3/1.390</i>	<i>5/0.197</i>	<i>17.8/0.699</i>	<i>6.6/0.260</i>	<i>19.4/0.762</i>	<i>3.4/0.134*</i>	<i>16.2/0.636*</i>	<i>1.8/0.071*</i>	<i>14.6/0.573*</i>
28	<i>39.7/1.563</i>	<i>50.8/2.000</i>	<i>3.7/0.146</i>	M5	10-24UNC	<i>46.7/1.839</i>	<i>4.0/0.157</i>	<i>35.8/1.409</i>	<i>24.05/0.947</i>	<i>41.4/1.630</i>	<i>5/0.197</i>	<i>16.7/0.657</i>	<i>6.6/0.260*</i>	<i>18.3/0.720*</i>	<i>3.4/0.134</i>	<i>15.1/0.594</i>	<i>1.8/0.071*</i>	<i>13.5/0.531*</i>
32	<i>44.5/1.752</i>	<i>57.0/2.244</i>	<i>4.3/0.169</i>	M5	1/4-20UNC	<i>53.4/2.102</i>	<i>4.0/0.157</i>	<i>37.3/1.469</i>	<i>24.05/0.947</i>	<i>47.8/1.882</i>	<i>5/0.197*</i>	<i>18.3/0.720*</i>	<i>6.6/0.260*</i>	<i>19.9/0.783*</i>	<i>3.4/0.134</i>	<i>16.7/0.657</i>	<i>1.8/0.071*</i>	<i>15.1/0.594</i>
36	<i>49.2/1.937</i>	<i>63.5/2.500</i>	<i>4.3/0.169</i>	M5	1/4-20UNC	<i>59.6/2.346</i>	<i>4.0/0.157</i>	<i>37.3/1.469</i>	<i>24.05/0.947</i>	<i>54.1/2.130</i>	<i>5/0.197*</i>	<i>18.3/0.720*</i>	<i>6.6/0.260*</i>	<i>19.9/0.783*</i>	<i>3.4/0.134</i>	<i>16.7/0.657</i>	<i>1.8/0.071*</i>	<i>15.1/0.594</i>
40	<i>55.5/2.185</i>	<i>69.9/2.752</i>	<i>4.3/0.169</i>	M5	1/4-20UNC	<i>65.5/2.579</i>	<i>4.0/0.157</i>	<i>37.3/1.469</i>	<i>24.05/0.947</i>	<i>59.0/2.323</i>	<i>5/0.197*</i>	<i>18.3/0.720*</i>	<i>6.6/0.260*</i>	<i>19.9/0.783*</i>	<i>3.4/0.134</i>	<i>16.7/0.657</i>	<i>1.8/0.071*</i>	<i>15.1/0.594</i>

DIMENSIONS IN ITALIC ARE INCHES.

* CONSULT FACTORY

** ±.020

WALL MOUNT RECEPTACLE, REAR PANEL MOUNT

MOUNTING HOLE OPTION

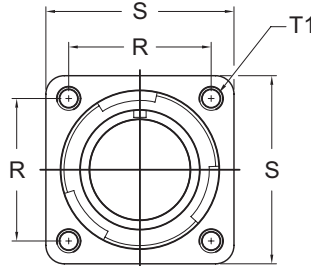


THREADED

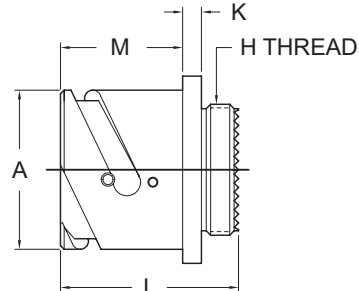
MOUNTING HOLE CODES

CODE	MOUNTING HOLE TYPE
FP	Thru holes
None	Metric thread - Standard
UN	UNC thread

FRONT VIEW



SIDE VIEW



SCPBO30-* Non-Environmental

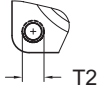
SHELL SIZE	FRONT VIEW					SIDE VIEW				
	R <i>±0.1/±.004</i>	S <i>±0.3/±.012</i>	T1 <i>+0.1/+0.004 -0.0/-0.000</i>	T2 THREAD		A <i>+0.00/+0.000 -0.15/-0.006</i>	H THREAD CLASS 2A	K <i>±0.2/±.008</i>	L <i>±0.3/±.012</i>	M <i>+0.4/+0.016 -0.0/-0.000</i>
				METRIC	UNC					
10SL	<i>18.2/0.717</i>	<i>25.4/1.000</i>	<i>3.2/0.126</i>	M4	8-32UNC	<i>18.2/0.717</i>	5/8-24 UNEF	<i>2.8/0.110</i>	<i>27.6/1.087</i>	<i>18.20/0.717</i>
14S	<i>23.0/0.906</i>	<i>30.0/1.181</i>	<i>3.2/0.126</i>	M4	8-32UNC	<i>24.6/0.969</i>	3/4-20 UNEF	<i>3.2/0.126</i>	<i>27.6/1.087</i>	<i>18.20/0.717</i>
16S	<i>24.6/0.969</i>	<i>32.5/1.280</i>	<i>3.2/0.126</i>	M4	8-32UNC	<i>27.4/1.079</i>	7/8-20 UNEF	<i>3.2/0.126</i>	<i>27.6/1.087</i>	<i>18.20/0.717</i>
16	<i>24.6/0.969</i>	<i>32.5/1.280</i>	<i>3.2/0.126</i>	M4	8-32UNC	<i>27.4/1.079</i>	7/8-20 UNEF	<i>3.2/0.126</i>	<i>33.8/1.331</i>	<i>23.05/0.907</i>
18	<i>27.0/1.063</i>	<i>35.0/1.378</i>	<i>3.2/0.126</i>	M4	8-32UNC	<i>30.8/1.213</i>	1-20 UNEF	<i>4.0/0.157</i>	<i>33.8/1.331</i>	<i>23.05/0.907</i>
20	<i>29.4/1.157</i>	<i>38.0/1.496</i>	<i>3.2/0.126</i>	M4	8-32UNC	<i>34.2/1.346</i>	1 1/8-18 UNEF	<i>4.0/0.157</i>	<i>33.8/1.331</i>	<i>23.05/0.907</i>
22	<i>31.8/1.252</i>	<i>41.0/1.614</i>	<i>3.2/0.126</i>	M4	8-32UNC	<i>37.4/1.472</i>	1 1/4-18 UNEF	<i>4.0/0.157</i>	<i>33.8/1.331</i>	<i>23.05/0.907</i>
24	<i>34.9/1.374</i>	<i>44.5/1.752</i>	<i>3.7/0.146</i>	M4	10-24UNC	<i>40.9/1.610</i>	1 3/8-18 UNEF	<i>4.0/0.157</i>	<i>35.8/1.409</i>	<i>23.05/0.907</i>
28	<i>39.7/1.563</i>	<i>50.8/2.000</i>	<i>3.7/0.146</i>	M5	10-24UNC	<i>46.7/1.839</i>	1 5/8-18 UNEF	<i>4.0/0.157</i>	<i>35.8/1.409</i>	<i>24.05/0.947</i>
32	<i>44.5/1.752</i>	<i>57.0/2.244</i>	<i>4.3/0.169</i>	M5	1/4-20UNC	<i>53.4/2.102</i>	1 7/8-16 UN	<i>4.0/0.157</i>	<i>37.3/1.469</i>	<i>24.05/0.947</i>
36	<i>49.2/1.937</i>	<i>63.5/2.500</i>	<i>4.3/0.169</i>	M5	1/4-20UNC	<i>59.6/2.346</i>	2 1/16-16 UN	<i>4.0/0.157</i>	<i>37.3/1.469</i>	<i>24.05/0.947</i>
40	<i>55.5/2.185</i>	<i>69.9/2.752</i>	<i>4.3/0.169</i>	M5	1/4-20UNC	<i>65.5/2.579</i>	2 5/16-16 UNS	<i>4.0/0.157</i>	<i>37.3/1.469</i>	<i>24.05/0.947</i>

DIMENSIONS IN ITALIC ARE INCHES.

WALL MOUNT RECEPTACLE, REAR PANEL MOUNT

030A*/030R*

MOUNTING HOLE OPTION

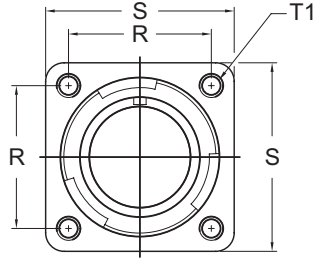


THREADED

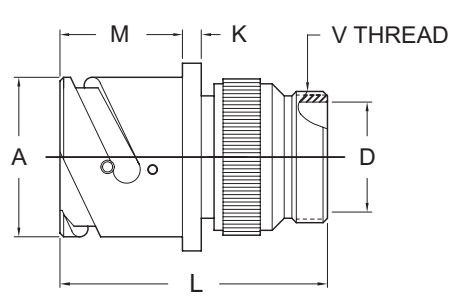
MOUNTING HOLE CODES

CODE	MOUNTING HOLE TYPE
FP	Thru holes
None	Metric thread - Standard
UN	UNC thread

FRONT VIEW



SIDE VIEW



SCP030A* Non-Environmental, no grommet
SCP030R* Environmental with grommet

SHELL SIZE	FRONT VIEW					SIDE VIEW					
	R $\pm 0.1/ \pm 0.04$	S $\pm 0.3/ \pm 0.12$	T1 $+0.1/ +.004$ $-0.0/ -0.000$ STYLE FP	T2 THREAD		A $+0.00/ +.000$ $-0.15/ -.006$	D MIN.	K $\pm 0.2/ \pm 0.08$	L MAX	M $+0.4/ +.016$ $-0.0/ -.000$	V THREAD CLASS 2A
				METRIC	UNC						
10SL	18.2/ <i>0.717</i>	25.4/ <i>1.000</i>	3.2/ <i>0.126</i>	M4	8-32UNC	18.2/ <i>0.717</i>	8.2/ <i>0.323</i>	2.8/ <i>0.110</i>	46/ <i>1.811</i>	18.20/ <i>0.717</i>	5/8-24 UNEF
14S	23.0/ <i>0.906</i>	30.0/ <i>1.181</i>	3.2/ <i>0.126</i>	M4	8-32UNC	24.6/ <i>0.969</i>	11.1/ <i>0.437</i>	3.2/ <i>0.126</i>	50/ <i>1.969</i>	18.20/ <i>0.717</i>	3/4-20 UNEF
16S	24.6/ <i>0.969</i>	32.5/ <i>1.280</i>	3.2/ <i>0.126</i>	M4	8-32UNC	27.4/ <i>1.079</i>	14.3/ <i>0.563</i>	3.2/ <i>0.126</i>	50/ <i>1.969</i>	18.20/ <i>0.717</i>	7/8-20 UNEF
16	24.6/ <i>0.969</i>	32.5/ <i>1.280</i>	3.2/ <i>0.126</i>	M4	8-32UNC	27.4/ <i>1.079</i>	14.3/ <i>0.563</i>	3.2/ <i>0.126</i>	58/ <i>2.283</i>	23.05/ <i>0.907</i>	7/8-20 UNEF
18	27.0/ <i>1.063</i>	35.0/ <i>1.378</i>	3.2/ <i>0.126</i>	M4	8-32UNC	30.8/ <i>1.213</i>	16.7/ <i>0.657</i>	4.0/ <i>0.157</i>	58/ <i>2.283</i>	23.05/ <i>0.907</i>	1-20 UNEF
20	29.4/ <i>1.157</i>	38.0/ <i>1.496</i>	3.2/ <i>0.126</i>	M4	8-32UNC	34.2/ <i>1.346</i>	19.8/ <i>0.780</i>	4.0/ <i>0.157</i>	58/ <i>2.283</i>	23.05/ <i>0.907</i>	1 3/16-18 UNEF
22	31.8/ <i>1.252</i>	41.0/ <i>1.614</i>	3.2/ <i>0.126</i>	M4	8-32UNC	37.4/ <i>1.472</i>	19.8/ <i>0.780</i>	4.0/ <i>0.157</i>	59/ <i>2.323</i>	23.05/ <i>0.907</i>	1 3/16-18 UNEF
24	34.9/ <i>1.374</i>	44.5/ <i>1.752</i>	3.7/ <i>0.146</i>	M4	10-24UNC	40.9/ <i>1.610</i>	25.4/ <i>1.000</i>	4.0/ <i>0.157</i>	59/ <i>2.323</i>	23.05/ <i>0.907</i>	1 7/16-18 UNEF
28	39.7/ <i>1.563</i>	50.8/ <i>2.000</i>	3.7/ <i>0.146</i>	M5	10-24UNC	46.7/ <i>1.839</i>	27.0/ <i>1.063</i>	4.0/ <i>0.157</i>	67/ <i>2.638</i>	24.05/ <i>0.947</i>	1 7/16-18 UNEF
32	44.5/ <i>1.752</i>	57.0/ <i>2.244</i>	4.3/ <i>0.169</i>	M5	1/4-20UNC	53.4/ <i>2.102</i>	32.5/ <i>1.280</i>	4.0/ <i>0.157</i>	71/ <i>2.795</i>	24.05/ <i>0.947</i>	1 3/4-18 UNS
36	49.2/ <i>1.937</i>	63.5/ <i>2.500</i>	4.3/ <i>0.169</i>	M5	1/4-20UNC	59.6/ <i>2.346</i>	35.7/ <i>1.406</i>	4.0/ <i>0.157</i>	72/ <i>2.835</i>	24.05/ <i>0.947</i>	2-18 UNS
40	55.5/ <i>2.185</i>	69.9/ <i>2.752</i>	4.3/ <i>0.169</i>	M5	1/4-20UNC	65.5/ <i>2.579</i>	45.0/ <i>1.772</i>	4.0/ <i>0.157</i>	86/ <i>3.386</i>	24.05/ <i>0.947</i>	2 1/4-16 UN

DIMENSIONS IN ITALIC ARE INCHES.

030AE*/030E*

MOUNTING HOLE OPTION

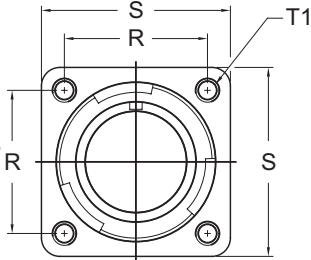


THREADED

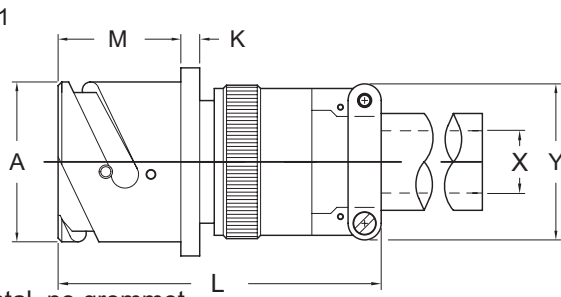
MOUNTING HOLE CODES

CODE	MOUNTING HOLE TYPE
FP	Thru holes
None	Metric thread - Standard
UN	UNC thread

FRONT VIEW



SIDE VIEW



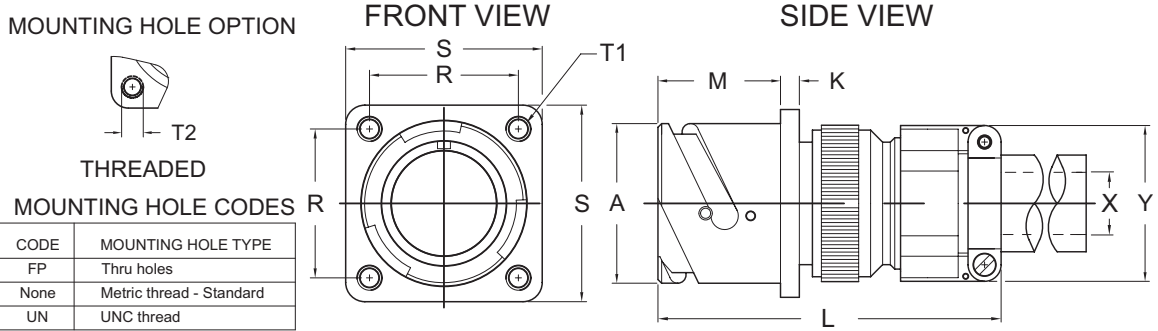
SCP030AE* Non-environmental, no grommet
SCP030E* Environmental with grommet

SHELL SIZE	FRONT VIEW					SIDE VIEW					
	R $\pm 0.1/ \pm 0.04$	S $\pm 0.3/ \pm 0.12$	T1 $+0.1/ +.004$ $-0.0/ -0.000$ STYLE FP	T2 THREAD		A $+0.00/ +.000$ $-0.15/ -.006$	K $\pm 0.2/ \pm 0.08$	L MAX	M $+0.4/ +.016$ $-0.0/ -.000$	X MIN	Y MAX
				METRIC	UNC						
10SL	18.2/ <i>0.717</i>	25.4/ <i>1.000</i>	3.2/ <i>0.126</i>	M4	8-32UNC	18.2/ <i>0.717</i>	2.8/ <i>0.110</i>	67/ <i>2.638</i>	18.20/ <i>0.717</i>	6.5/ <i>0.256</i>	22.7/ <i>0.894</i>
14S	23.0/ <i>0.906</i>	30.0/ <i>1.181</i>	3.2/ <i>0.126</i>	M4	8-32UNC	24.6/ <i>0.969</i>	3.2/ <i>0.126</i>	72/ <i>2.835</i>	18.20/ <i>0.717</i>	9.0/ <i>0.354</i>	27.5/ <i>1.083</i>
16S	24.6/ <i>0.969</i>	32.5/ <i>1.280</i>	3.2/ <i>0.126</i>	M4	8-32UNC	27.4/ <i>1.079</i>	3.2/ <i>0.126</i>	75/ <i>2.953</i>	18.20/ <i>0.717</i>	11.0/ <i>0.433</i>	30.0/ <i>1.181</i>
16	24.6/ <i>0.969</i>	32.5/ <i>1.280</i>	3.2/ <i>0.126</i>	M4	8-32UNC	27.4/ <i>1.079</i>	3.2/ <i>0.126</i>	82/ <i>3.228</i>	23.05/ <i>0.907</i>	11.0/ <i>0.433</i>	30.0/ <i>1.181</i>
18	27.0/ <i>1.063</i>	35.0/ <i>1.378</i>	3.2/ <i>0.126</i>	M4	8-32UNC	30.8/ <i>1.213</i>	4.0/ <i>0.157</i>	82/ <i>3.228</i>	23.05/ <i>0.907</i>	14.2/ <i>0.559</i>	32.2/ <i>1.268</i>
20	29.4/ <i>1.157</i>	38.0/ <i>1.496</i>	3.2/ <i>0.126</i>	M4	8-32UNC	34.2/ <i>1.346</i>	4.0/ <i>0.157</i>	82/ <i>3.228</i>	23.05/ <i>0.907</i>	15.8/ <i>0.622</i>	37.5/ <i>1.476</i>
22	31.8/ <i>1.252</i>	41.0/ <i>1.614</i>	3.2/ <i>0.126</i>	M4	8-32UNC	37.4/ <i>1.472</i>	4.0/ <i>0.157</i>	83/ <i>3.268</i>	23.05/ <i>0.907</i>	15.8/ <i>0.622</i>	37.5/ <i>1.476</i>
24	34.9/ <i>1.374</i>	44.5/ <i>1.752</i>	3.7/ <i>0.146</i>	M4	10-24UNC	40.9/ <i>1.610</i>	4.0/ <i>0.157</i>	85/ <i>3.346</i>	23.05/ <i>0.907</i>	21.4/ <i>0.843</i>	43.3/ <i>1.705</i>
28	39.7/ <i>1.563</i>	50.8/ <i>2.000</i>	3.7/ <i>0.146</i>	M5	10-24UNC	46.7/ <i>1.839</i>	4.0/ <i>0.157</i>	93/ <i>3.661</i>	24.05/ <i>0.947</i>	21.4/ <i>0.843</i>	43.3/ <i>1.705</i>
32	44.5/ <i>1.752</i>	57.0/ <i>2.244</i>	4.3/ <i>0.169</i>	M5	1/4-20UNC	53.4/ <i>2.102</i>	4.0/ <i>0.157</i>	99/ <i>3.898</i>	24.05/ <i>0.947</i>	26.7/ <i>1.051</i>	51.7/ <i>2.035</i>
36	49.2/ <i>1.937</i>	63.5/ <i>2.500</i>	4.3/ <i>0.169</i>	M5	1/4-20UNC	59.6/ <i>2.346</i>	4.0/ <i>0.157</i>	100/ <i>3.937</i>	24.05/ <i>0.947</i>	31.7/ <i>1.248</i>	58.0/ <i>2.283</i>
40	55.5/ <i>2.185</i>	69.9/ <i>2.752</i>	4.3/ <i>0.169</i>	M5	1/4-20UNC	65.5/ <i>2.579</i>	4.0/ <i>0.157</i>	128/ <i>5.039</i>	24.05/ <i>0.947</i>	34.9/ <i>1.374</i>	65.5/ <i>2.579</i>

DIMENSIONS IN ITALIC ARE INCHES.

WALL MOUNT RECEPTACLE, REAR PANEL MOUNT

030AF*/030F*



MOUNTING HOLE CODES

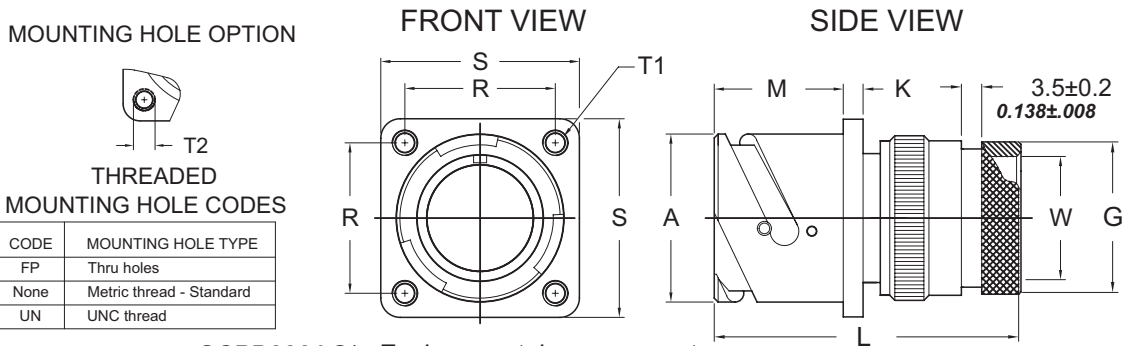
CODE	MOUNTING HOLE TYPE
FP	Thru holes
None	Metric thread - Standard
UN	UNC thread

SCPB030AF* Non-Environmental, no grommet
 SCPB030F* Environmental with grommet

SHELL SIZE	FRONT VIEW					SIDE VIEW					
	R $\pm 0.1/\pm 0.04$	S $\pm 0.3/\pm 0.12$	T1 $+0.1/+0.04$ $-0.0/-0.000$ STYLE FP	T2 THREAD		A $+0.00/+0.000$ $-0.15/-0.006$	K $\pm 0.2/\pm 0.008$	L MAX	M $+0.4/+0.016$ $-0.0/-0.000$	X MIN	Y MAX
				METRIC	UNC						
10SL	18.2/0.717	25.4/1.000	3.2/0.126	M4	8-32UNC	18.2/0.717	2.8/0.110	67/2.638	18.20/0.717	6.5/0.256	22.7/0.894
14S	23.0/0.906	30.0/1.181	3.2/0.126	M4	8-32UNC	24.6/0.969	3.2/0.126	72/2.835	18.20/0.717	9.0/0.354	27.5/1.083
16S	24.6/0.969	32.5/1.280	3.2/0.126	M4	8-32UNC	27.4/1.079	3.2/0.126	75/2.953	18.20/0.717	11.0/0.433	30.0/1.181
16	24.6/0.969	32.5/1.280	3.2/0.126	M4	8-32UNC	27.4/1.079	3.2/0.126	82/3.228	23.05/0.907	11.0/0.433	30.0/1.181
18	27.0/1.063	35.0/1.378	3.2/0.126	M4	8-32UNC	30.8/1.213	4.0/0.157	82/3.228	23.05/0.907	14.2/0.559	32.2/1.268
20	29.4/1.157	38.0/1.496	3.2/0.126	M4	8-32UNC	34.2/1.346	4.0/0.157	82/3.228	23.05/0.907	15.8/0.622	37.5/1.476
22	31.8/1.252	41.0/1.614	3.2/0.126	M4	8-32UNC	37.4/1.472	4.0/0.157	83/3.268	23.05/0.907	15.8/0.622	37.5/1.476
24	34.9/1.374	44.5/1.752	3.7/0.146	M4	10-24UNC	40.9/1.610	4.0/0.157	85/3.346	23.05/0.907	21.4/0.843	43.3/1.705
28	39.7/1.563	50.8/2.000	3.7/0.146	M5	10-24UNC	46.7/1.839	4.0/0.157	93/3.661	24.05/0.947	21.4/0.843	43.3/1.705
32	44.5/1.752	57.0/2.244	4.3/0.169	M5	1/4-20UNC	53.4/2.102	4.0/0.157	99/3.898	24.05/0.947	26.7/1.051	51.7/2.035
36	49.2/1.937	63.5/2.500	4.3/0.169	M5	1/4-20UNC	59.6/2.346	4.0/0.157	100/3.937	24.05/0.947	31.7/1.248	58.0/2.283
40	55.5/2.185	69.9/2.752	4.3/0.169	M5	1/4-20UNC	65.5/2.579	4.0/0.157	128/5.039	24.05/0.947	34.9/1.374	65.5/2.579

DIMENSIONS IN ITALIC ARE INCHES.

030AG*/030G*



MOUNTING HOLE CODES

CODE	MOUNTING HOLE TYPE
FP	Thru holes
None	Metric thread - Standard
UN	UNC thread

SCPB030AG* Environmental, no grommet
 SCPB030G* Environmental with grommet

SHELL SIZE	FRONT VIEW					SIDE VIEW					
	R $\pm 0.1/\pm 0.04$	S $\pm 0.3/\pm 0.12$	T1 $+0.1/+0.04$ $-0.0/-0.000$ STYLE FP	T2 THREAD		A $+0.00/+0.000$ $-0.15/-0.006$	G $\pm 0.2/\pm 0.008$	K $\pm 0.2/\pm 0.008$	L MAX	M $+0.4/+0.016$ $-0.0/-0.000$	W MIN
				METRIC	UNC						
10SL	18.2/0.717	25.4/1.000	3.2/0.126	M4	8-32UNC	18.2/0.717	15.5/0.610	2.8/0.110	50/1.969	18.20/0.717	8.5/0.335
14S	23.0/0.906	30.0/1.181	3.2/0.126	M4	8-32UNC	24.6/0.969	19.1/0.752	3.2/0.126	50/1.969	18.20/0.717	12.0/0.472
16S	24.6/0.969	32.5/1.280	3.2/0.126	M4	8-32UNC	27.4/1.079	23.9/0.941	3.2/0.126	50/1.969	18.20/0.717	14.5/0.571
16	24.6/0.969	32.5/1.280	3.2/0.126	M4	8-32UNC	27.4/1.079	23.9/0.941	3.2/0.126	60/2.362	23.05/0.907	14.5/0.571
18	27.0/1.063	35.0/1.378	3.2/0.126	M4	8-32UNC	30.8/1.213	23.9/0.941	4.0/0.157	60/2.362	23.05/0.907	17.5/0.689
20	29.4/1.157	38.0/1.496	3.2/0.126	M4	8-32UNC	34.2/1.346	29.6/1.165	4.0/0.157	65/2.559	23.05/0.907	19.5/0.768
22	31.8/1.252	41.0/1.614	3.2/0.126	M4	8-32UNC	37.4/1.472	29.6/1.165	4.0/0.157	65/2.559	23.05/0.907	22.0/0.866
24	34.9/1.374	44.5/1.752	3.7/0.146	M4	10-24UNC	40.9/1.610	37.8/1.488	4.0/0.157	65/2.559	23.05/0.907	25.0/0.984
28	39.7/1.563	50.8/2.000	3.7/0.146	M5	10-24UNC	46.7/1.839	37.8/1.488	4.0/0.157	65/2.559	24.05/0.947	29.0/1.142
32	44.5/1.752	57.0/2.244	4.3/0.169	M5	1/4-20UNC	53.4/2.102	47.8/1.882	4.0/0.157	70/2.756	24.05/0.947	34.0/1.339
36	49.2/1.937	63.5/2.500	4.3/0.169	M5	1/4-20UNC	59.6/2.346	47.8/1.882	4.0/0.157	75/2.953	24.05/0.947	38.5/1.516
40	55.5/2.185	69.9/2.752	4.3/0.169	M5	1/4-20UNC	65.5/2.579	52.4/2.063	4.0/0.157	77/3.031	24.05/0.947	48.0/1.890

DIMENSIONS IN ITALIC ARE INCHES.

WALL MOUNT RECEPTACLE, REAR PANEL MOUNT

030AG2G*/030G2G*

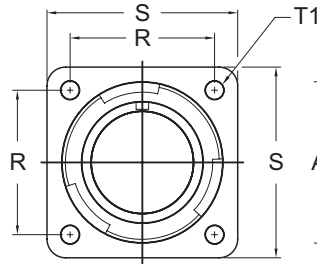
MOUNTING HOLE OPTIONS



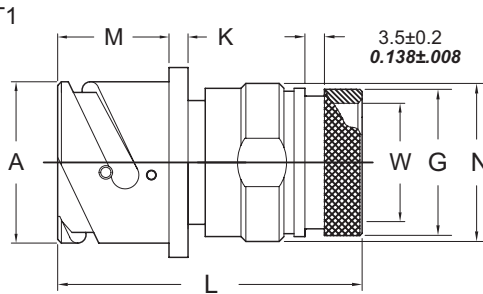
MOUNTING HOLE CODES

CODE	MOUNTING HOLE TYPE
FP	Thru holes
None	Metric thread - Standard
UN	UNC thread

FRONT VIEW



SIDE VIEW



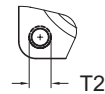
SCPB030AG2G* Environmental, no grommet
 SCPB030G2G* Environmental with grommet

SHELL SIZE	FRONT VIEW					SIDE VIEW						
	R ±0.1/±.004	S ±0.3/±.012	T1 +0.1/+0.004 -0.0/-0.000	T2 THREAD		A +0.00/+0.000 -0.15/-0.006	G ±0.2/±.008	K ±0.2/±.008	L APRX	M +0.4/+0.016 -0.0/-0.000	N MAX	W MIN
				METRIC	UNC							
10SL	18.2/0.717	25.4/1.000	3.2/0.126	M4	8-32UNC	18.2/0.717	15.5/0.610	2.8/0.110	49.8/1.961	18.20/0.717	22/0.866	8.5/0.335
14S	23.0/0.906	30.0/1.181	3.2/0.126	M4	8-32UNC	24.6/0.969	19.1/0.752	3.2/0.126	49.8/1.961	18.20/0.717	25/0.984	12.0/0.472
16S	24.6/0.969	32.5/1.280	3.2/0.126	M4	8-32UNC	27.4/1.079	23.9/0.941	3.2/0.126	50.6/1.992	18.20/0.717	28/1.102	14.5/0.571
16	24.6/0.969	32.5/1.280	3.2/0.126	M4	8-32UNC	27.4/1.079	23.9/0.941	3.2/0.126	60.1/2.366	23.05/0.907	28/1.102	14.5/0.571
18	27.0/1.063	35.0/1.378	3.2/0.126	M4	8-32UNC	30.8/1.213	23.9/0.941	4.0/0.157	59.6/2.346	23.05/0.907	31/1.220	17.5/0.689
20	29.4/1.157	38.0/1.496	3.2/0.126	M4	8-32UNC	34.2/1.346	29.6/1.165	4.0/0.157	60.3/2.374	23.05/0.907	35/1.378	19.5/0.768
22	31.8/1.252	41.0/1.614	3.2/0.126	M4	8-32UNC	37.4/1.472	29.6/1.165	4.0/0.157	60.3/2.374	23.05/0.907	38/1.496	22.0/0.866
24	34.9/1.374	44.5/1.752	3.7/0.146	M4	10-24UNC	40.9/1.610	37.8/1.488	4.0/0.157	62.9/2.476	23.05/0.907	41/1.614	25.0/0.984
28	39.7/1.563	50.8/2.000	3.7/0.146	M5	10-24UNC	46.7/1.839	37.8/1.488	4.0/0.157	64.7/2.547	24.05/0.947	48/1.890	29.0/1.142
32	44.5/1.752	57.0/2.244	4.3/0.169	M5	1/4-20UNC	53.4/2.102	47.8/1.882	4.0/0.157	67.0/2.638	24.05/0.947	54/2.126	34.0/1.339
36	49.2/1.937	63.5/2.500	4.3/0.169	M5	1/4-20UNC	59.6/2.346	47.8/1.882	4.0/0.157	67.0/2.638	24.05/0.947	61/2.402	38.5/1.516
40	55.5/2.185	69.9/2.752	4.3/0.169	M5	1/4-20UNC	65.5/2.579	52.4/2.063	4.0/0.157	67.3/2.650	24.05/0.947	68/2.677	48.0/1.890

DIMENSIONS IN ITALIC ARE INCHES.

030APT*

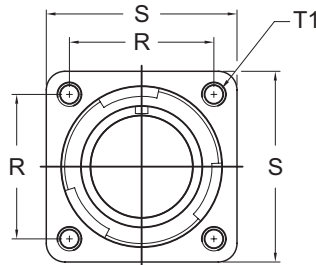
MOUNTING HOLE OPTION



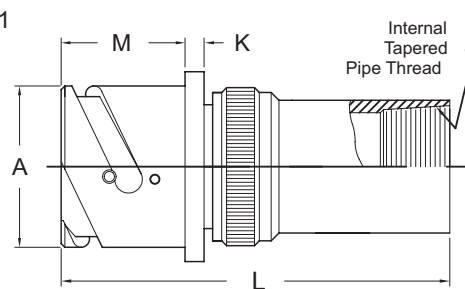
THREADED
MOUNTING HOLE CODES

CODE	MOUNTING HOLE TYPE
FP	Thru holes
None	Metric thread - Standard
UN	UNC thread

FRONT VIEW



SIDE VIEW



SCPB030APT* Environmental, no grommet

SHELL SIZE	FRONT VIEW					SIDE VIEW					
	R ±0.1/±.004	S ±0.3/±.012	T1 +0.1/+0.004 -0.0/-0.000	T2 THREAD		A +0.00/+0.000 -0.15/-0.006	K ±0.2/±.008	L MAX	M +0.4/+0.016 -0.0/-0.000	CODE	PIPE THREAD
				METRIC	UNC						
10SL	18.2/0.717	25.4/1.000	3.2/0.126	M4	8-32UNC	18.2/0.717	2.8/0.110	60/2.362	18.20/0.717	01	1/8
14S	23.0/0.906	30.0/1.181	3.2/0.126	M4	8-32UNC	24.6/0.969	3.2/0.126	60/2.362	18.20/0.717	02	1/4
16S	24.6/0.969	32.5/1.280	3.2/0.126	M4	8-32UNC	27.4/1.079	3.2/0.126	60/2.362	18.20/0.717	03	3/8
16	24.6/0.969	32.5/1.280	3.2/0.126	M4	8-32UNC	27.4/1.079	3.2/0.126	70/2.756	23.05/0.907	04	1/2
18	27.0/1.063	35.0/1.378	3.2/0.126	M4	8-32UNC	30.8/1.213	4.0/0.157	70/2.756	23.05/0.907	05	3/4
20	29.4/1.157	38.0/1.496	3.2/0.126	M4	8-32UNC	34.2/1.346	4.0/0.157	70/2.756	23.05/0.907	06	1
22	31.8/1.252	41.0/1.614	3.2/0.126	M4	8-32UNC	37.4/1.472	4.0/0.157	70/2.756	23.05/0.907	07	1 1/4
24	34.9/1.374	44.5/1.752	3.7/0.146	M4	10-24UNC	40.9/1.610	4.0/0.157	80/3.150	23.05/0.907	08	1 1/2
28	39.7/1.563	50.8/2.000	3.7/0.146	M5	10-24UNC	46.7/1.839	4.0/0.157	80/3.150	24.05/0.947	09	2
32	44.5/1.752	57.0/2.244	4.3/0.169	M5	1/4-20UNC	53.4/2.102	4.0/0.157	80/3.150	24.05/0.947	10	2 1/2
36	49.2/1.937	63.5/2.500	4.3/0.169	M5	1/4-20UNC	59.6/2.346	4.0/0.157	95/3.740	24.05/0.947		
40	55.5/2.185	69.9/2.752	4.3/0.169	M5	1/4-20UNC	65.5/2.579	4.0/0.157	95/3.740	24.05/0.947		

DIMENSIONS IN ITALIC ARE INCHES.

WALL MOUNT RECEPTACLE, REAR PANEL MOUNT

030ARK*/030RK*

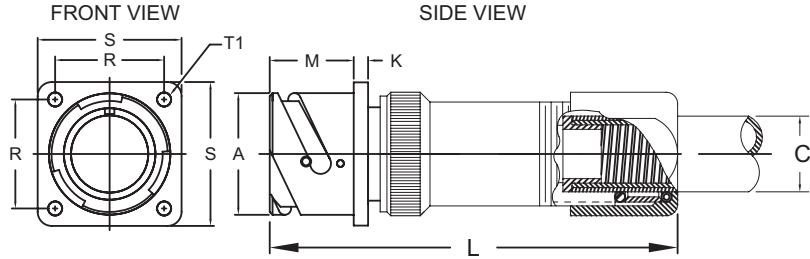
MOUNTING HOLE OPTIONS



THREADED

MOUNTING HOLE CODES

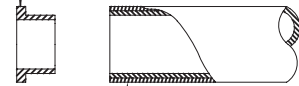
CODE	MOUNTING HOLE TYPE
FP	Thru holes
None	Metric thread - Standard
UN	UNC thread



SCPB030ARK*
SCPB030RK*

Environmental less grommet
Environmental with grommet

PLASTIC SAFE EDGE



SEALTITE CONDUIT
METALLIC

SHELL SIZE	FRONT VIEW				SIDE VIEW				
	R $\pm 0.1/\pm 0.04$	S $\pm 0.3/\pm 0.12$	T1 $+0.1/+0.004$ $-0.0/-0.000$	T2 THREAD		A $+0.00/+0.000$ $-0.15/-0.006$	K $\pm 0.2/\pm 0.008$	L	M $+0.4/+0.016$ $-0.0/-0.000$
				METRIC	UNC				
10SL	18.2/0.717	25.4/1.000	3.2/0.126	M4	8-32UNC	18.2/0.717	2.8/0.110		18.20/0.717
14S	23.0/0.906	30.0/1.181	3.2/0.126	M4	8-32UNC	24.6/0.969	3.2/0.126		18.20/0.717
16S	24.6/0.969	32.5/1.280	3.2/0.126	M4	8-32UNC	27.4/1.079	3.2/0.126		18.20/0.717
16	24.6/0.969	32.5/1.280	3.2/0.126	M4	8-32UNC	27.4/1.079	3.2/0.126		23.05/0.907
18	27.0/1.063	35.0/1.378	3.2/0.126	M4	8-32UNC	30.8/1.213	4.0/0.157		23.05/0.907
20	29.4/1.157	38.0/1.496	3.2/0.126	M4	8-32UNC	34.2/1.346	4.0/0.157		23.05/0.907
22	31.8/1.252	41.0/1.614	3.2/0.126	M4	8-32UNC	37.4/1.472	4.0/0.157		23.05/0.907
24	34.9/1.374	44.5/1.752	3.7/0.146	M4	10-24UNC	40.9/1.610	4.0/0.157		23.05/0.907
28	39.7/1.563	50.8/2.000	3.7/0.146	M5	10-24UNC	46.7/1.839	4.0/0.157		24.05/0.947
32	44.5/1.752	57.0/2.244	4.3/0.169	M5	1/4-20UNC	53.4/2.102	4.0/0.157		24.05/0.947
36	49.2/1.937	63.5/2.500	4.3/0.169	M5	1/4-20UNC	59.6/2.346	4.0/0.157		24.05/0.947
40	55.5/2.185	69.9/2.752	4.3/0.169	M5	1/4-20UNC	65.5/2.579	4.0/0.157		24.05/0.947

DIMENSIONS IN ITALIC ARE INCHES.

* Dimension L is dependent on the backshell used, the cable range and the fitting used. Consult factory.

CODE (***)	AVAILABLE CONDUIT SIZES C
(038)	9.52/3/8
(050)	12.70/1/2
(075)	19.05/3/4
(100)	25.40/1
(125)	31.75/1 1/4
(150)	38.10/1 1/2
(200)	50.80/2

(***) Conduit size must be specified as part of the connector part number using conduit code

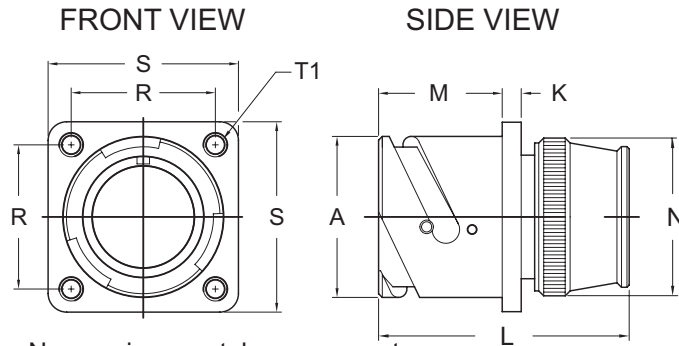
030ARV*/030RV*

MOUNTING HOLE OPTION



THREADED
MOUNTING HOLE CODES

CODE	MOUNTING HOLE TYPE
FP	Thru holes
None	Metric thread - Standard
UN	UNC thread



SCPB030ARV*
SCPB030RV*

Non-environmental, no grommet
Environmental with grommet

SHELL SIZE	FRONT VIEW				SIDE VIEW					
	R $\pm 0.1/\pm 0.04$	S $\pm 0.3/\pm 0.12$	T1 $+0.1/+0.004$ $-0.0/-0.000$	T2 THREAD		A $+0.00/+0.000$ $-0.15/-0.006$	K $\pm 0.2/\pm 0.008$	L MAX	M $+0.4/+0.016$ $-0.0/-0.000$	N MAX
				METRIC	UNC					
10SL	18.2/0.717	25.4/1.000	3.2/0.126	M4	8-32UNC	18.2/0.717	2.8/0.110	43/1.693	18.20/0.717	20.0/0.787
14S	23.0/0.906	30.0/1.181	3.2/0.126	M4	8-32UNC	24.6/0.969	3.2/0.126	43/1.693	18.20/0.717	24.0/0.945
16S	24.6/0.969	32.5/1.280	3.2/0.126	M4	8-32UNC	27.4/1.079	3.2/0.126	43/1.693	18.20/0.717	26.0/1.024
16	24.6/0.969	32.5/1.280	3.2/0.126	M4	8-32UNC	27.4/1.079	3.2/0.126	56/2.205	23.05/0.907	26.0/1.024
18	27.0/1.063	35.0/1.378	3.2/0.126	M4	8-32UNC	30.8/1.213	4.0/0.157	56/2.205	23.05/0.907	29.5/1.161
20	29.4/1.157	38.0/1.496	3.2/0.126	M4	8-32UNC	34.2/1.346	4.0/0.157	57/2.244	23.05/0.907	33.0/1.299
22	31.8/1.252	41.0/1.614	3.2/0.126	M4	8-32UNC	37.4/1.472	4.0/0.157	57/2.244	23.05/0.907	36.0/1.417
24	34.9/1.374	44.5/1.752	3.7/0.146	M4	10-24UNC	40.9/1.610	4.0/0.157	57/2.244	23.05/0.907	40.0/1.575
28	39.7/1.563	50.8/2.000	3.7/0.146	M5	10-24UNC	46.7/1.839	4.0/0.157	59/2.323	24.05/0.947	46.0/1.811
32	44.5/1.752	57.0/2.244	4.3/0.169	M5	1/4-20UNC	53.4/2.102	4.0/0.157	60/2.362	24.05/0.947	51.5/2.028
36	49.2/1.937	63.5/2.500	4.3/0.169	M5	1/4-20UNC	59.6/2.346	4.0/0.157	60/2.362	24.05/0.947	58.0/2.283
40	55.5/2.185	69.9/2.752	4.3/0.169	M5	1/4-20UNC	65.5/2.579	4.0/0.157	61/2.402	24.05/0.947	64.5/2.539

DIMENSIONS IN ITALIC ARE INCHES.

WALL MOUNT RECEPTACLE, REAR PANEL MOUNT

030ASB*/030SB*

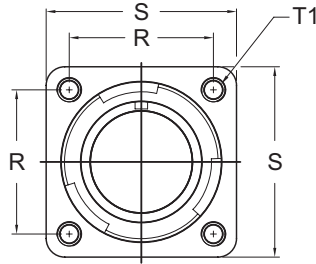
MOUNTING HOLE OPTION



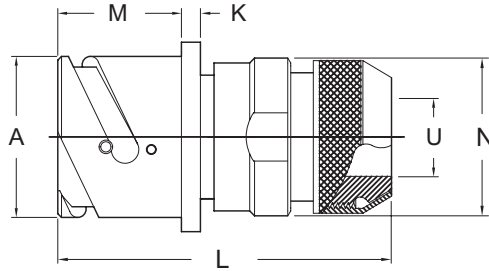
THREADED
MOUNTING HOLE CODES

CODE	MOUNTING HOLE TYPE
FP	Thru holes
None	Metric thread - Standard
UN	UNC thread

FRONT VIEW



SIDE VIEW



SCPB030ASB* Environmental, no grommet
SCPB030SB* Environmental with grommet

SHELL SIZE	FRONT VIEW					SIDE VIEW					
	R <i>±0.1/±.004</i>	S <i>±0.3/±.012</i>	T1 <i>+0.1/+0.004</i> <i>-0.0/-0.000</i> STYLE FP	T2 THREAD		A <i>+0.00/+0.000</i> <i>-0.15/-0.006</i>	K <i>±0.2/±.008</i>	L MAX	M <i>+0.4/+0.016</i> <i>-0.0/-0.000</i>	N MAX	U MIN
				METRIC	UNC						
10SL	<i>18.2/0.717</i>	<i>25.4/1.000</i>	<i>3.2/0.126</i>	M4	8-32UNC	<i>18.2/0.717</i>	<i>2.8/0.110</i>	<i>51.4/2.024</i>	<i>18.20/0.717</i>	<i>22/0.866</i>	<i>8.6/0.339</i>
14S	<i>23.0/0.906</i>	<i>30.0/1.181</i>	<i>3.2/0.126</i>	M4	8-32UNC	<i>24.6/0.969</i>	<i>3.2/0.126</i>	<i>51.4/2.024</i>	<i>18.20/0.717</i>	<i>25/0.984</i>	<i>10.6/0.417</i>
16S	<i>24.6/0.969</i>	<i>32.5/1.280</i>	<i>3.2/0.126</i>	M4	8-32UNC	<i>27.4/1.079</i>	<i>3.2/0.126</i>	<i>53.4/2.102</i>	<i>18.20/0.717</i>	<i>28/1.102</i>	<i>13.5/0.531</i>
16	<i>24.6/0.969</i>	<i>32.5/1.280</i>	<i>3.2/0.126</i>	M4	8-32UNC	<i>27.4/1.079</i>	<i>3.2/0.126</i>	<i>62.5/2.461</i>	<i>23.05/0.907</i>	<i>28/1.102</i>	<i>13.5/0.531</i>
18	<i>27.0/1.063</i>	<i>35.0/1.378</i>	<i>3.2/0.126</i>	M4	8-32UNC	<i>30.8/1.213</i>	<i>4.0/0.157</i>	<i>63.7/2.508</i>	<i>23.05/0.907</i>	<i>31/1.220</i>	<i>14.6/0.575</i>
20	<i>29.4/1.157</i>	<i>38.0/1.496</i>	<i>3.2/0.126</i>	M4	8-32UNC	<i>34.2/1.346</i>	<i>4.0/0.157</i>	<i>63.7/2.508</i>	<i>23.05/0.907</i>	<i>35/1.378</i>	<i>18.5/0.728</i>
22	<i>31.8/1.252</i>	<i>41.0/1.614</i>	<i>3.2/0.126</i>	M4	8-32UNC	<i>37.4/1.472</i>	<i>4.0/0.157</i>	<i>63.7/2.508</i>	<i>23.05/0.907</i>	<i>38/1.496</i>	<i>20.8/0.819</i>
24	<i>34.9/1.374</i>	<i>44.5/1.752</i>	<i>3.7/0.146</i>	M4	10-24UNC	<i>40.9/1.610</i>	<i>4.0/0.157</i>	<i>64.4/2.535</i>	<i>23.05/0.907</i>	<i>41/1.614</i>	<i>24.6/0.969</i>
28	<i>39.7/1.563</i>	<i>50.8/2.000</i>	<i>3.7/0.146</i>	M5	10-24UNC	<i>46.7/1.839</i>	<i>4.0/0.157</i>	<i>64.4/2.535</i>	<i>24.05/0.947</i>	<i>48/1.890</i>	<i>27.0/1.063</i>
32	<i>44.5/1.752</i>	<i>57.0/2.244</i>	<i>4.3/0.169</i>	M5	1/4-20UNC	<i>53.4/2.102</i>	<i>4.0/0.157</i>	<i>66.0/2.598</i>	<i>24.05/0.947</i>	<i>54/2.126</i>	<i>33.3/1.311</i>
36	<i>49.2/1.937</i>	<i>63.5/2.500</i>	<i>4.3/0.169</i>	M5	1/4-20UNC	<i>59.6/2.346</i>	<i>4.0/0.157</i>	<i>66.0/2.598</i>	<i>24.05/0.947</i>	<i>61/2.402</i>	<i>38.5/1.516</i>
40	<i>55.5/2.185</i>	<i>69.9/2.752</i>	<i>4.3/0.169</i>	M5	1/4-20UNC	<i>65.5/2.579</i>	<i>4.0/0.157</i>	<i>66.0/2.598</i>	<i>24.05/0.947</i>	<i>68/2.677</i>	<i>46.0/1.811</i>

DIMENSIONS IN ITALIC ARE INCHES.

030ASBF*/030SBF*

MOUNTING HOLE OPTION

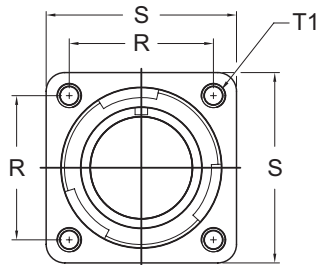


THREADED

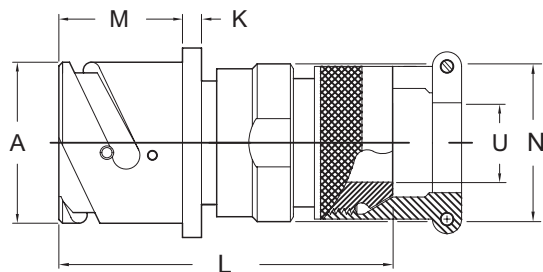
MOUNTING HOLE CODES

CODE	MOUNTING HOLE TYPE
FP	Thru holes
None	Metric thread - Standard
UN	UNC thread

FRONT VIEW



SIDE VIEW



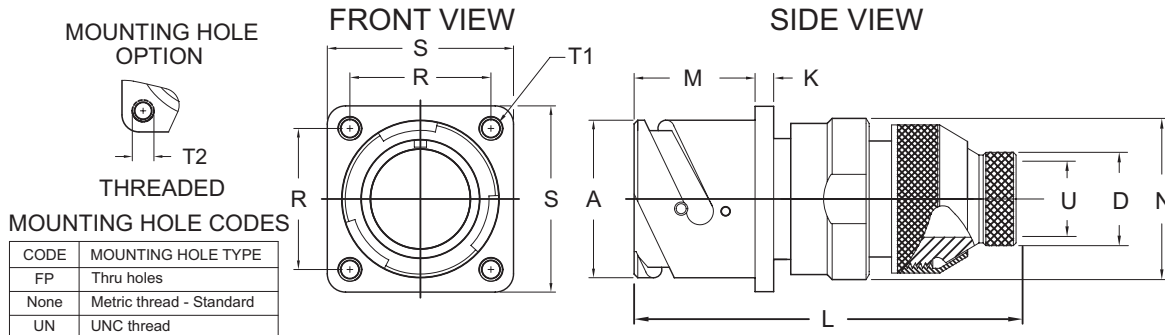
SCPB030ASBF* Non-environmental, no grommet
SCPB030SBF* Environmental with grommet

SHELL SIZE	FRONT VIEW					SIDE VIEW					
	R <i>±0.1/±.004</i>	S <i>±0.3/±.012</i>	T1 <i>+0.1/+0.004</i> <i>-0.0/-0.000</i> STYLE FP	T2 THREAD		A <i>+0.00/+0.000</i> <i>-0.15/-0.006</i>	K <i>±0.2/±.008</i>	L MAX	M <i>+0.4/+0.016</i> <i>-0.0/-0.000</i>	N MAX	U MIN
				METRIC	UNC						
10SL	<i>18.2/0.717</i>	<i>25.4/1.000</i>	<i>3.2/0.126</i>	M4	8-32UNC	<i>18.2/0.717</i>	<i>2.8/0.110</i>	<i>51.4/2.024</i>	<i>18.20/0.717</i>	<i>22/0.866</i>	<i>8.6/0.339</i>
14S	<i>23.0/0.906</i>	<i>30.0/1.181</i>	<i>3.2/0.126</i>	M4	8-32UNC	<i>24.6/0.969</i>	<i>3.2/0.126</i>	<i>51.4/2.024</i>	<i>18.20/0.717</i>	<i>25/0.984</i>	<i>10.6/0.417</i>
16S	<i>24.6/0.969</i>	<i>32.5/1.280</i>	<i>3.2/0.126</i>	M4	8-32UNC	<i>27.4/1.079</i>	<i>3.2/0.126</i>	<i>53.4/2.102</i>	<i>18.20/0.717</i>	<i>28/1.102</i>	<i>13.5/0.531</i>
16	<i>24.6/0.969</i>	<i>32.5/1.280</i>	<i>3.2/0.126</i>	M4	8-32UNC	<i>27.4/1.079</i>	<i>3.2/0.126</i>	<i>62.5/2.461</i>	<i>23.05/0.907</i>	<i>28/1.102</i>	<i>13.5/0.531</i>
18	<i>27.0/1.063</i>	<i>35.0/1.378</i>	<i>3.2/0.126</i>	M4	8-32UNC	<i>30.8/1.213</i>	<i>4.0/0.157</i>	<i>63.7/2.508</i>	<i>23.05/0.907</i>	<i>31/1.220</i>	<i>14.6/0.575</i>
20	<i>29.4/1.157</i>	<i>38.0/1.496</i>	<i>3.2/0.126</i>	M4	8-32UNC	<i>34.2/1.346</i>	<i>4.0/0.157</i>	<i>63.7/2.508</i>	<i>23.05/0.907</i>	<i>35/1.378</i>	<i>18.5/0.728</i>
22	<i>31.8/1.252</i>	<i>41.0/1.614</i>	<i>3.2/0.126</i>	M4	8-32UNC	<i>37.4/1.472</i>	<i>4.0/0.157</i>	<i>63.7/2.508</i>	<i>23.05/0.907</i>	<i>38/1.496</i>	<i>20.8/0.819</i>
24	<i>34.9/1.374</i>	<i>44.5/1.752</i>	<i>3.7/0.146</i>	M4	10-24UNC	<i>40.9/1.610</i>	<i>4.0/0.157</i>	<i>64.4/2.535</i>	<i>23.05/0.907</i>	<i>41/1.614</i>	<i>24.6/0.969</i>
28	<i>39.7/1.563</i>	<i>50.8/2.000</i>	<i>3.7/0.146</i>	M5	10-24UNC	<i>46.7/1.839</i>	<i>4.0/0.157</i>	<i>64.4/2.535</i>	<i>24.05/0.947</i>	<i>48/1.890</i>	<i>27.0/1.063</i>
32	<i>44.5/1.752</i>	<i>57.0/2.244</i>	<i>4.3/0.169</i>	M5	1/4-20UNC	<i>53.4/2.102</i>	<i>4.0/0.157</i>	<i>66.0/2.598</i>	<i>24.05/0.947</i>	<i>54/2.126</i>	<i>33.3/1.311</i>
36	<i>49.2/1.937</i>	<i>63.5/2.500</i>	<i>4.3/0.169</i>	M5	1/4-20UNC	<i>59.6/2.346</i>	<i>4.0/0.157</i>	<i>66.0/2.598</i>	<i>24.05/0.947</i>	<i>61/2.402</i>	<i>38.5/1.516</i>
40	<i>55.5/2.185</i>	<i>69.9/2.752</i>	<i>4.3/0.169</i>	M5	1/4-20UNC	<i>65.5/2.579</i>	<i>4.0/0.157</i>	<i>66.0/2.598</i>	<i>24.05/0.947</i>	<i>68/2.677</i>	<i>46.0/1.811</i>

DIMENSIONS IN ITALIC ARE INCHES.

WALL MOUNT RECEPTACLE, REAR PANEL MOUNT

030ASBT*/030SBT*



MOUNTING HOLE CODES

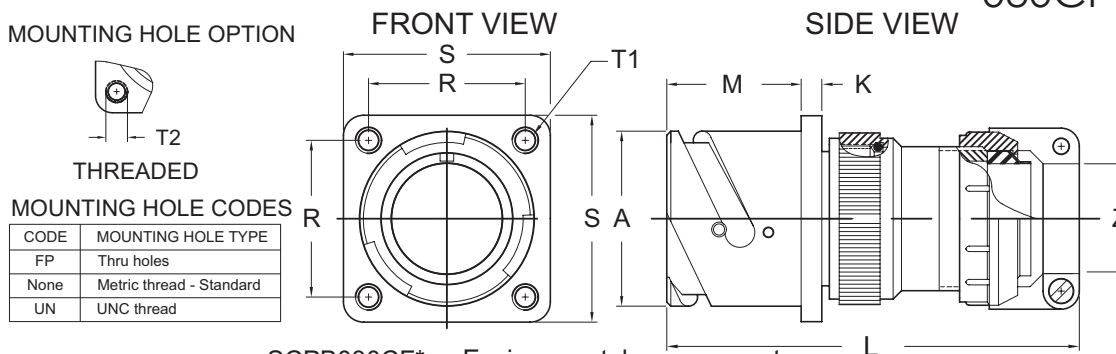
CODE	MOUNTING HOLE TYPE
FP	Thru holes
None	Metric thread - Standard
UN	UNC thread

SCPB030ASBT* Non-environmental, no grommet
 SCPB030SBT* Environmental with grommet

SHELL SIZE	FRONT VIEW					SIDE VIEW						
	R <i>±0.1/±.004</i>	S <i>±0.3/±.012</i>	T1 <i>+0.1/+0.004</i> <i>-0.0/-0.000</i> STYLE FP	T2 THREAD		A <i>+0.00/+0.000</i> <i>-0.15/-0.006</i>	D MAX	K <i>±0.2/±.008</i>	L MAX	M <i>+0.4/+0.016</i> <i>-0.0/-0.000</i>	N MAX	U MIN
				METRIC	UNC							
10SL	<i>18.2/0.717</i>	<i>25.4/1.000</i>	<i>3.2/0.126</i>	M4	8-32UNC	<i>18.2/0.717</i>	<i>11.1/0.437</i>	<i>2.8/0.110</i>	<i>61/2.402</i>	<i>18.20/0.717</i>	<i>22/0.866</i>	<i>7.6/0.299</i>
14S	<i>23.0/0.906</i>	<i>30.0/1.181</i>	<i>3.2/0.126</i>	M4	8-32UNC	<i>24.6/0.969</i>	<i>14.3/0.563</i>	<i>3.2/0.126</i>	<i>64/2.520</i>	<i>18.20/0.717</i>	<i>25/0.984</i>	<i>10.8/0.425</i>
16S	<i>24.6/0.969</i>	<i>32.5/1.280</i>	<i>3.2/0.126</i>	M4	8-32UNC	<i>27.4/1.079</i>	<i>15.9/0.626</i>	<i>3.2/0.126</i>	<i>70/2.756</i>	<i>18.20/0.717</i>	<i>28/1.102</i>	<i>12.4/0.488</i>
16	<i>24.6/0.969</i>	<i>32.5/1.280</i>	<i>3.2/0.126</i>	M4	8-32UNC	<i>27.4/1.079</i>	<i>15.9/0.626</i>	<i>3.2/0.126</i>	<i>80/3.150</i>	<i>23.05/0.907</i>	<i>28/1.102</i>	<i>12.4/0.488</i>
18	<i>27.0/1.063</i>	<i>35.0/1.378</i>	<i>3.2/0.126</i>	M4	8-32UNC	<i>30.8/1.213</i>	<i>19.1/0.752</i>	<i>4.0/0.157</i>	<i>80/3.150</i>	<i>23.05/0.907</i>	<i>31/1.220</i>	<i>15.6/0.614</i>
20	<i>29.4/1.157</i>	<i>38.0/1.496</i>	<i>3.2/0.126</i>	M4	8-32UNC	<i>34.2/1.346</i>	<i>22.3/0.878</i>	<i>4.0/0.157</i>	<i>80/3.150</i>	<i>23.05/0.907</i>	<i>35/1.378</i>	<i>18.7/0.736</i>
22	<i>31.8/1.252</i>	<i>41.0/1.614</i>	<i>3.2/0.126</i>	M4	8-32UNC	<i>37.4/1.472</i>	<i>25.4/1.000</i>	<i>4.0/0.157</i>	<i>80/3.150</i>	<i>23.05/0.907</i>	<i>38/1.496</i>	<i>21.9/0.862</i>
24	<i>34.9/1.374</i>	<i>44.5/1.752</i>	<i>3.7/0.146</i>	M4	10-24UNC	<i>40.9/1.610</i>	<i>28.6/1.126</i>	<i>4.0/0.157</i>	<i>80/3.150</i>	<i>23.05/0.907</i>	<i>41/1.614</i>	<i>25.1/0.988</i>
28	<i>39.7/1.563</i>	<i>50.8/2.000</i>	<i>3.7/0.146</i>	M5	10-24UNC	<i>46.7/1.839</i>	<i>31.8/1.252</i>	<i>4.0/0.157</i>	<i>80/3.150</i>	<i>24.05/0.947</i>	<i>48/1.890</i>	<i>28.3/1.114</i>
32	<i>44.5/1.752</i>	<i>57.0/2.244</i>	<i>4.3/0.169</i>	M5	1/4-20UNC	<i>53.4/2.102</i>	<i>36.6/1.440</i>	<i>4.0/0.157</i>	<i>80/3.150</i>	<i>24.05/0.947</i>	<i>54/2.126</i>	<i>28.3/1.114</i>
36	<i>49.2/1.937</i>	<i>63.5/2.500</i>	<i>4.3/0.169</i>	M5	1/4-20UNC	<i>59.6/2.346</i>	<i>44.5/1.752</i>	<i>4.0/0.157</i>	<i>85/3.346</i>	<i>24.05/0.947</i>	<i>61/2.402</i>	<i>41.0/1.614</i>
40	<i>55.5/2.185</i>	<i>69.9/2.752</i>	<i>4.3/0.169</i>	M5	1/4-20UNC	<i>65.5/2.579</i>	<i>50.8/2.000</i>	<i>4.0/0.157</i>	<i>85/3.346</i>	<i>24.05/0.947</i>	<i>68/2.677</i>	<i>40.6/1.600</i>

DIMENSIONS IN ITALIC ARE INCHES.
 1. DIMENSION L WILL VARY FROM THE VALUES INDICATED FOR SOME SPECIAL INSERT CONFIGURATIONS.

030CF*/030CFZ*



MOUNTING HOLE CODES

CODE	MOUNTING HOLE TYPE
FP	Thru holes
None	Metric thread - Standard
UN	UNC thread

SCPB030CF* Environmental, no grommet
 SCPB030CFZ* Environmental with grommet

SHELL SIZE	FRONT VIEW					SIDE VIEW						
	R <i>±0.1/±.004</i>	S <i>±0.3/±.012</i>	T1 <i>+0.1/+0.004</i> <i>-0.0/-0.000</i> STYLE FP	T2 THREAD		A <i>+0.00/+0.000</i> <i>-0.15/-0.006</i>	K <i>±0.2/±.008</i>	L MAX	M <i>+0.4/+0.016</i> <i>-0.0/-0.000</i>	Z		
				METRIC	UNC					OPEN	CLOSED	
10SL	<i>18.2/0.717</i>	<i>25.4/1.000</i>	<i>3.2/0.126</i>	M4	8-32UNC	<i>18.2/0.717</i>	<i>2.8/0.110</i>	<i>73/2.874</i>	<i>18.20/0.717</i>	<i>7.93/0.312</i>	<i>2.38/0.094</i>	
14S	<i>23.0/0.906</i>	<i>30.0/1.181</i>	<i>3.2/0.126</i>	M4	8-32UNC	<i>24.6/0.969</i>	<i>3.2/0.126</i>	<i>77/3.031</i>	<i>18.20/0.717</i>	<i>11.12/0.438</i>	<i>5.84/0.230</i>	
16S	<i>24.6/0.969</i>	<i>32.5/1.280</i>	<i>3.2/0.126</i>	M4	8-32UNC	<i>27.4/1.079</i>	<i>3.2/0.126</i>	<i>77/3.031</i>	<i>18.20/0.717</i>	<i>13.48/0.531</i>	<i>8.0/0.315</i>	
16	<i>24.6/0.969</i>	<i>32.5/1.280</i>	<i>3.2/0.126</i>	M4	8-32UNC	<i>27.4/1.079</i>	<i>3.2/0.126</i>	<i>88/3.465</i>	<i>23.05/0.907</i>	<i>13.48/0.531</i>	<i>8.0/0.315</i>	
18	<i>27.0/1.063</i>	<i>35.0/1.378</i>	<i>3.2/0.126</i>	M4	8-32UNC	<i>30.8/1.213</i>	<i>4.0/0.157</i>	<i>91/3.583</i>	<i>23.05/0.907</i>	<i>15.87/0.625</i>	<i>9.6/0.378</i>	
20	<i>29.4/1.157</i>	<i>38.0/1.496</i>	<i>3.2/0.126</i>	M4	8-32UNC	<i>34.2/1.346</i>	<i>4.0/0.157</i>	<i>91/3.583</i>	<i>23.05/0.907</i>	<i>19.00/0.748</i>	<i>11.3/0.445</i>	
22	<i>31.8/1.252</i>	<i>41.0/1.614</i>	<i>3.2/0.126</i>	M4	8-32UNC	<i>37.4/1.472</i>	<i>4.0/0.157</i>	<i>92/3.622</i>	<i>23.05/0.907</i>	<i>19.00/0.748</i>	<i>11.3/0.445</i>	
24	<i>34.9/1.374</i>	<i>44.5/1.752</i>	<i>3.7/0.146</i>	M4	10-24UNC	<i>40.9/1.610</i>	<i>4.0/0.157</i>	<i>97/3.819</i>	<i>23.05/0.907</i>	<i>23.80/0.937</i>	<i>15.5/0.610</i>	
28	<i>39.7/1.563</i>	<i>50.8/2.000</i>	<i>3.7/0.146</i>	M5	10-24UNC	<i>46.7/1.839</i>	<i>4.0/0.157</i>	<i>103/4.055</i>	<i>24.05/0.947</i>	<i>23.80/0.937</i>	<i>15.5/0.610</i>	
32	<i>44.5/1.752</i>	<i>57.0/2.244</i>	<i>4.3/0.169</i>	M5	1/4-20UNC	<i>53.4/2.102</i>	<i>4.0/0.157</i>	<i>113/4.449</i>	<i>24.05/0.947</i>	<i>31.75/1.250</i>	<i>23.4/0.921</i>	
36	<i>49.2/1.937</i>	<i>63.5/2.500</i>	<i>4.3/0.169</i>	M5	1/4-20UNC	<i>59.6/2.346</i>	<i>4.0/0.157</i>	<i>120/4.724</i>	<i>24.05/0.947</i>	<i>35.00/1.378</i>	<i>23.4/0.921</i>	
40	<i>55.5/2.185</i>	<i>69.9/2.752</i>	<i>4.3/0.169</i>	M5	1/4-20UNC	<i>65.5/2.579</i>	<i>4.0/0.157</i>	<i>135/5.315</i>	<i>24.05/0.947</i>	<i>41.25/1.624</i>	<i>29.9/1.177</i>	

DIMENSIONS IN ITALIC ARE INCHES.

WALL MOUNT RECEPTACLE, REAR PANEL MOUNT

030CMEG*

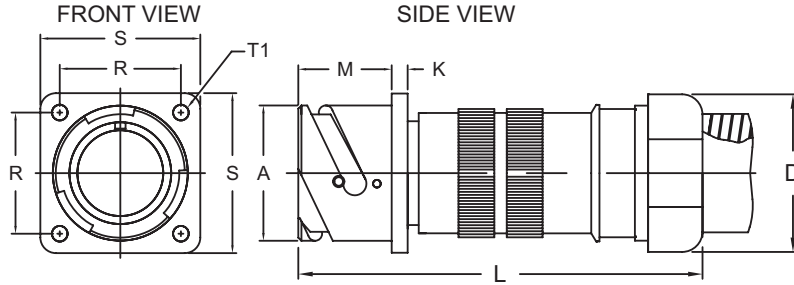
MOUNTING HOLE OPTIONS



THREADED

MOUNTING HOLE CODES

CODE	MOUNTING HOLE TYPE
FP	Thru holes
None	Metric thread - Standard
UN	UNC thread

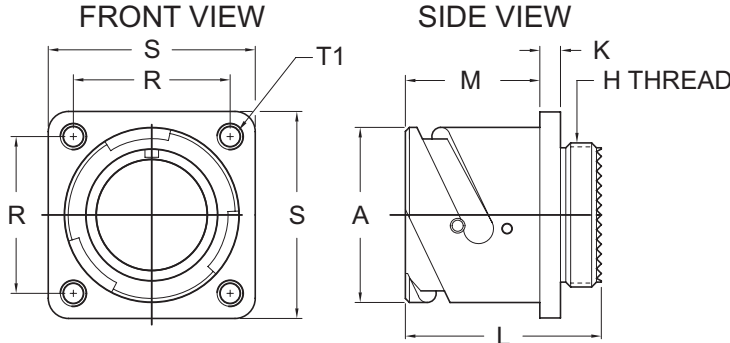


SCPB030CMEG* Environmental with grommet

SHELL SIZE	FRONT VIEW					SIDE VIEW				CONDUIT SIZE			
	R	S	T1	T2		A	K	L	M	CABLE CODE	ELECTRI-FLEX CONDUIT TRADE SIZE	SHELL SIZE	D APRX.
	$\pm 0.1/\pm 0.04$	$\pm 0.3/\pm 0.12$	$+0.14/+.004$ $-0.0/-0.000$	THREAD		$+0.00/+.000$ $-0.15/-.006$	$\pm 0.2/\pm 0.08$						
10SL	18.2/0.717	25.4/1.000	3.2/0.126	M4	8-32UNC	18.2/0.717	2.8/0.110	* Dimension L is dependent on the backshell used, the cable range and the fitting used. Consult factory.	18.20/0.717	075	3/4	20	41.9 / 1.65
14S	23.0/0.906	30.0/1.181	3.2/0.126	M4	8-32UNC	24.6/0.969	3.2/0.126		18.20/0.717			24	41.9 / 1.65
16S	24.6/0.969	32.5/1.280	3.2/0.126	M4	8-32UNC	27.4/1.079	3.2/0.126		18.20/0.717			36	41.9 / 1.65
16	24.6/0.969	32.5/1.280	3.2/0.126	M4	8-32UNC	27.4/1.079	3.2/0.126		23.05/0.907	100	100	20	47.6 / 1.88
18	27.0/1.063	35.0/1.378	3.2/0.126	M4	8-32UNC	30.8/1.213	4.0/0.157		23.05/0.907	FOR OTHER SIZES CONSULT FACTORY			
20	29.4/1.157	38.0/1.496	3.2/0.126	M4	8-32UNC	34.2/1.346	4.0/0.157		23.05/0.907				
22	31.8/1.252	41.0/1.614	3.2/0.126	M4	8-32UNC	37.4/1.472	4.0/0.157		23.05/0.907				
24	34.9/1.374	44.5/1.752	3.7/0.146	M4	10-24UNC	40.9/1.610	4.0/0.157		23.05/0.907				
28	39.7/1.563	50.8/2.000	3.7/0.146	M5	10-24UNC	46.7/1.839	4.0/0.157		24.05/0.947				
32	44.5/1.752	57.0/2.244	4.3/0.169	M5	1/4-20UNC	53.4/2.102	4.0/0.157		24.05/0.947				
36	49.2/1.937	63.5/2.500	4.3/0.169	M5	1/4-20UNC	59.6/2.346	4.0/0.157		24.05/0.947				
40	55.5/2.185	69.9/2.752	4.3/0.169	M5	1/4-20UNC	65.5/2.579	4.0/0.157		24.05/0.947				

DIMENSIONS IN ITALIC ARE INCHES.

030FR*



SCPB030FR* Environmental, no grommet

EXAMPLE PART NUMBER: SCPB030FR24-28P

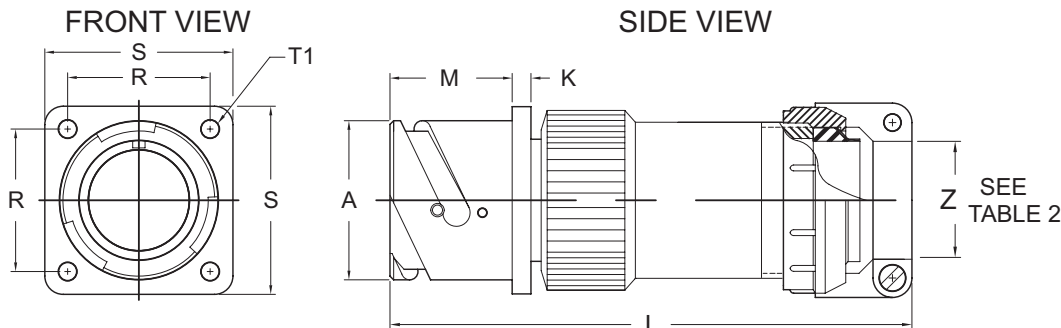
FINISH: BLACK ANODIZE
CONTACTS: F80 SILVER PLATED CRIMP CONTACTS

SHELL SIZE	FRONT VIEW				SIDE VIEW				
	R	S	T1	A	H	K	L	M	
	$\pm 0.1/\pm 0.04$	$\pm 0.3/\pm 0.12$	$+0.1/+.004$ $-0.0/-0.000$	$+0.00/+.000$ $-0.15/-.006$	THREAD CLASS 2A	$\pm 0.2/\pm 0.08$	$\pm 0.3/\pm 0.12$	$+0.4/+.016$ $-0.0/-0.000$	
10SL	18.2/0.717	25.4/1.000	3.2/0.126	18.2/0.717	5/8-24 UNEF	2.8/0.110	27.6/1.087	18.20/0.717	
14S	23.0/0.906	30.0/1.181	3.2/0.126	24.6/0.969	3/4-20 UNEF	3.2/0.126	27.6/1.087	18.20/0.717	
16S	24.6/0.969	32.5/1.280	3.2/0.126	27.4/1.079	7/8-20 UNEF	3.2/0.126	27.6/1.087	18.20/0.717	
16	24.6/0.969	32.5/1.280	3.2/0.126	27.4/1.079	7/8-20 UNEF	3.2/0.126	33.8/1.331	23.05/0.907	
18	27.0/1.063	35.0/1.378	3.2/0.126	30.8/1.213	1-20 UNEF	4.0/0.157	33.8/1.331	23.05/0.907	
20	29.4/1.157	38.0/1.496	3.2/0.126	34.2/1.346	1 1/8-18 UNEF	4.0/0.157	33.8/1.331	23.05/0.907	
22	31.8/1.252	41.0/1.614	3.2/0.126	37.4/1.472	1 1/4-18 UNEF	4.0/0.157	33.8/1.331	23.05/0.907	
24	34.9/1.374	44.5/1.752	3.7/0.146	40.9/1.610	1 3/8-18 UNEF	4.0/0.157	35.8/1.409	23.05/0.907	
28	39.7/1.563	50.8/2.000	3.7/0.146	46.7/1.839	1 5/8-18 UNEF	4.0/0.157	35.8/1.409	24.05/0.947	
32	44.5/1.752	57.0/2.244	4.3/0.169	53.4/2.102	1 7/8-16 UN	4.0/0.157	37.3/1.469	24.05/0.947	
36	49.2/1.937	63.5/2.500	4.3/0.169	59.6/2.346	2 1/16-16 UN	4.0/0.157	37.3/1.469	24.05/0.947	
40	55.5/2.185	69.9/2.752	4.3/0.169	65.5/2.579	2 5/16-16 UNS	4.0/0.157	37.3/1.469	24.05/0.947	

DIMENSIONS IN ITALIC ARE INCHES.

WALL MOUNT RECEPTACLE, REAR PANEL MOUNT

030FR**(C)



EXAMPLE PART NUMBER: SCPB030FR24-28P-08C

FINISH: BLACK ANODIZE
CONTACTS: F80 SILVER PLATED CRIMP CONTACTS

SEE TABLE 2 BELOW
(04C THRU 32C)

TABLE 1

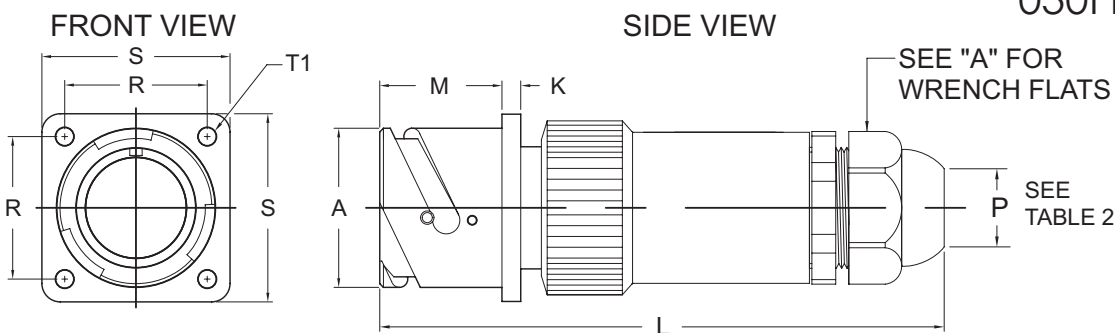
TABLE 2: CLAMP CODE

SHELL SIZE	FRONT VIEW			SIDE VIEW			
	R	S	T1	A	K	L	M
	$\pm 0.1/\pm 0.004$	$\pm 0.3/\pm 0.012$	$+0.1/+0.004$ $-0.0/-0.000$	$+0.00/+0.000$ $-0.15/-0.006$	$\pm 0.2/\pm 0.008$		$+0.4/+0.016$ $-0.0/-0.000$
10SL	18.2/0.717	25.4/1.000	3.2/0.126	18.2/0.717	2.8/0.110	* Dimension L is dependent on the backshell used, the cable range and the fitting used. Consult factory.	18.20/0.717
14S	23.0/0.906	30.0/1.181	3.2/0.126	24.6/0.969	3.2/0.126		18.20/0.717
16S	24.6/0.969	32.5/1.280	3.2/0.126	27.4/1.079	3.2/0.126		18.20/0.717
16	24.6/0.969	32.5/1.280	3.2/0.126	27.4/1.079	3.2/0.126		23.05/0.907
18	27.0/1.063	35.0/1.378	3.2/0.126	30.8/1.213	4.0/0.157		23.05/0.907
20	29.4/1.157	38.0/1.496	3.2/0.126	34.2/1.346	4.0/0.157		23.05/0.907
22	31.8/1.252	41.0/1.614	3.2/0.126	37.4/1.472	4.0/0.157		23.05/0.907
24	34.9/1.374	44.5/1.752	3.7/0.146	40.9/1.610	4.0/0.157		23.05/0.907
28	39.7/1.563	50.8/2.000	3.7/0.146	46.7/1.839	4.0/0.157		24.05/0.947
32	44.5/1.752	57.0/2.244	4.3/0.169	53.4/2.102	4.0/0.157		24.05/0.947
36	49.2/1.937	63.5/2.500	4.3/0.169	59.6/2.346	4.0/0.157		24.05/0.947
40	55.5/2.185	69.9/2.752	4.3/0.169	65.5/2.579	4.0/0.157		24.05/0.947

DIMENSIONS IN ITALIC ARE INCHES. * CONSULT FACTORY

(XX) CLAMP CODE	Z - CABLE RANGE	
	OPEN	CLOSED
04C	7.92 / 0.312	2.40 / 0.094
06C	11.12 / 0.438	5.84 / 0.230
08C	13.48 / 0.531	8.0 / 0.315
10C	15.87 / 0.625	9.6 / 0.378
12C	19.00 / 0.748	11.3 / 0.445
16C	23.80 / 0.937	15.5 / 0.610
20C	31.75 / 1.250	23.4 / 0.921
24C	35.00 / 1.378	23.4 / 0.921
28C	41.25 / 1.624	29.9 / 1.177
32C	47.60 / 1.874	34.9 / 1.374

030FR**(PG)



EXAMPLE PART NUMBER: SCPB030FR24-28P-11R

FINISH: BLACK ANODIZE
CONTACTS: F80 SILVER PLATED CRIMP CONTACTS

SEE TABLE 2 BELOW
(07R THRU 48)

TABLE 1

TABLE 2: CLAMP CODE

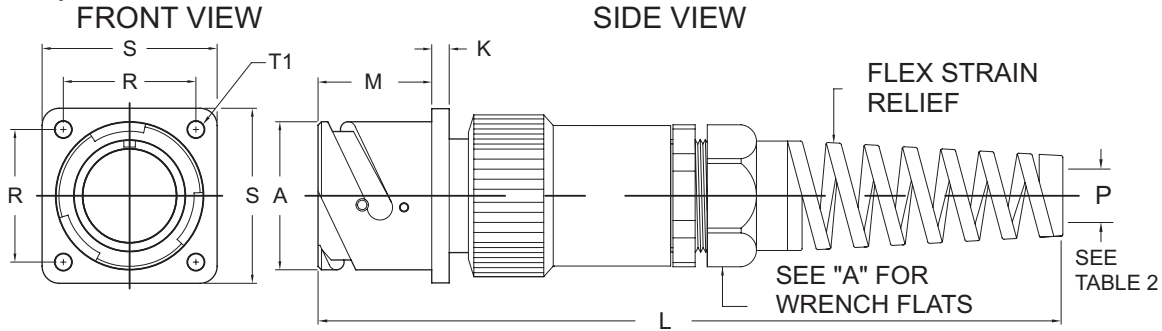
SHELL SIZE	FRONT VIEW			SIDE VIEW			
	R	S	T1	A	K	L	M
	$\pm 0.1/\pm 0.004$	$\pm 0.3/\pm 0.012$	$+0.1/+0.004$ $-0.0/-0.000$	$+0.00/+0.000$ $-0.15/-0.006$	$\pm 0.2/\pm 0.008$		$+0.4/+0.016$ $-0.0/-0.000$
10SL	18.2/0.717	25.4/1.000	3.2/0.126	18.2/0.717	2.8/0.110	* Dimension L is dependent on the backshell used, the cable range and the fitting used. Consult factory.	18.20/0.717
14S	23.0/0.906	30.0/1.181	3.2/0.126	24.6/0.969	3.2/0.126		18.20/0.717
16S	24.6/0.969	32.5/1.280	3.2/0.126	27.4/1.079	3.2/0.126		18.20/0.717
16	24.6/0.969	32.5/1.280	3.2/0.126	27.4/1.079	3.2/0.126		23.05/0.907
18	27.0/1.063	35.0/1.378	3.2/0.126	30.8/1.213	4.0/0.157		23.05/0.907
20	29.4/1.157	38.0/1.496	3.2/0.126	34.2/1.346	4.0/0.157		23.05/0.907
22	31.8/1.252	41.0/1.614	3.2/0.126	37.4/1.472	4.0/0.157		23.05/0.907
24	34.9/1.374	44.5/1.752	3.7/0.146	40.9/1.610	4.0/0.157		23.05/0.907
28	39.7/1.563	50.8/2.000	3.7/0.146	46.7/1.839	4.0/0.157		24.05/0.947
32	44.5/1.752	57.0/2.244	4.3/0.169	53.4/2.102	4.0/0.157		24.05/0.947
36	49.2/1.937	63.5/2.500	4.3/0.169	59.6/2.346	4.0/0.157		24.05/0.947
40	55.5/2.185	69.9/2.752	4.3/0.169	65.5/2.579	4.0/0.157		24.05/0.947

DIMENSIONS IN ITALIC ARE INCHES.
* CONSULT FACTORY

(XX) CABLE CODE	NO STRAIN RELIEF	TYPE	P		A
			CABLE RANGE	WRENCH FLATS	
07R	PG7		2.0-5.0/0.08-0.20	15.0/0.591	
07	PG7		3.0-6.5/0.12-0.26	15.0/0.591	
09R	PG9		2.0-6.0/0.08-0.24	19.0/0.748	
09	PG9		4.0-8.0/0.16-0.31	19.0/0.748	
11R	PG11		3.0-7.0/0.12-0.28	22.0/0.866	
11	PG11		5.0-10.0/0.20-0.39	22.0/0.866	
13R	PG13.5		5.0-9.0/0.20-0.35	24.0/0.945	
13	PG13.5		6.0-12.0/0.24-0.47	24.0/0.945	
16R	PG16		7.0-12.0/0.28-0.47	27.0/1.063	
16	PG16		10.0-14.0/0.39-0.55	27.0/1.063	
21R	PG21		9.0-16.0/0.35-0.63	33.0/1.299	
21	PG21		13.0-18.0/0.51-0.71	33.0/1.299	
29R	PG29		12.0-20.0/0.47-0.79	42.0/1.654	
29	PG29		18.0-25.0/0.71-0.98	42.0/1.654	
36R	PG36		20.0-26.0/0.79-1.02	53.0/2.087	
36	PG36		22.0-32.0/0.87-1.26	53.0/2.087	
42	PG42		30.0-38.0/1.18-1.50	60.0/2.362	
48	PG48		34.0-44.0/1.34-1.73	65.0/2.559	

WALL MOUNT RECEPTACLE, REAR PANEL MOUNT

030FR**(SPB)



EXAMPLE PART NUMBER: SCPB030FR24-28P-SPB16R

FINISH: BLACK ANODIZE
CONTACTS: F80 SILVER PLATED CRIMP CONTACTS

SEE TABLE 2 BELOW
(04C THRU 32C)

TABLE 1

SHELL SIZE	FRONT VIEW			SIDE VIEW			
	R <i>±0.1±.004</i>	S <i>±0.3±.012</i>	T1 <i>+0.1/+0.004 -0.0/-0.000</i>	A <i>+0.00±.000 -0.15/-0.006</i>	K <i>±0.2±.008</i>	L	M <i>+0.4/+0.016 -0.0/-0.000</i>
10SL	18.2/ <i>0.717</i>	25.4/ <i>1.000</i>	3.2/ <i>0.126</i>	18.2/ <i>0.717</i>	2.8/ <i>0.110</i>	* Dimension L is dependent on the backshell used, the cable range and the fitting used. Consult factory.	18.20/ <i>0.717</i>
14S	23.0/ <i>0.906</i>	30.0/ <i>1.181</i>	3.2/ <i>0.126</i>	24.6/ <i>0.969</i>	3.2/ <i>0.126</i>		18.20/ <i>0.717</i>
16S	24.6/ <i>0.969</i>	32.5/ <i>1.280</i>	3.2/ <i>0.126</i>	27.4/ <i>1.079</i>	3.2/ <i>0.126</i>		18.20/ <i>0.717</i>
16	24.6/ <i>0.969</i>	32.5/ <i>1.280</i>	3.2/ <i>0.126</i>	27.4/ <i>1.079</i>	3.2/ <i>0.126</i>		23.05/ <i>0.907</i>
18	27.0/ <i>1.063</i>	35.0/ <i>1.378</i>	3.2/ <i>0.126</i>	30.8/ <i>1.213</i>	4.0/ <i>0.157</i>		23.05/ <i>0.907</i>
20	29.4/ <i>1.157</i>	38.0/ <i>1.496</i>	3.2/ <i>0.126</i>	34.2/ <i>1.346</i>	4.0/ <i>0.157</i>		23.05/ <i>0.907</i>
22	31.8/ <i>1.252</i>	41.0/ <i>1.614</i>	3.2/ <i>0.126</i>	37.4/ <i>1.472</i>	4.0/ <i>0.157</i>		23.05/ <i>0.907</i>
24	34.9/ <i>1.374</i>	44.5/ <i>1.752</i>	3.7/ <i>0.146</i>	40.9/ <i>1.610</i>	4.0/ <i>0.157</i>		23.05/ <i>0.907</i>
28	39.7/ <i>1.563</i>	50.8/ <i>2.000</i>	3.7/ <i>0.146</i>	46.7/ <i>1.839</i>	4.0/ <i>0.157</i>		24.05/ <i>0.947</i>
32	44.5/ <i>1.752</i>	57.0/ <i>2.244</i>	4.3/ <i>0.169</i>	53.4/ <i>2.102</i>	4.0/ <i>0.157</i>		24.05/ <i>0.947</i>
36	49.2/ <i>1.937</i>	63.5/ <i>2.500</i>	4.3/ <i>0.169</i>	59.6/ <i>2.346</i>	4.0/ <i>0.157</i>		24.05/ <i>0.947</i>
40	55.5/ <i>2.185</i>	69.9/ <i>2.752</i>	4.3/ <i>0.169</i>	65.5/ <i>2.579</i>	4.0/ <i>0.157</i>		24.05/ <i>0.947</i>

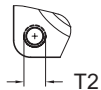
DIMENSIONS IN ITALIC ARE INCHES.
* CONSULT FACTORY

TABLE 2: CABLE RANGE CODE

(XX) CABLE CODE	TYPE	P CABLE RANGE	A WRENCH FLATS
SPB07R	PG7	2.0-5.0 / <i>0.08-0.20</i>	15.0 / <i>0.591</i>
SPB07	PG7	3.0-6.5 / <i>0.12-0.26</i>	15.0 / <i>0.591</i>
SPB09R	PG9	2.0-6.0 / <i>0.08-0.24</i>	19.0 / <i>0.748</i>
SPB09	PG9	4.0-8.0 / <i>0.16-0.31</i>	19.0 / <i>0.748</i>
SPB11R	PG11	3.0-7.0 / <i>0.12-0.28</i>	22.0 / <i>0.866</i>
SPB11	PG11	5.0-10.0 / <i>0.20-0.39</i>	22.0 / <i>0.866</i>
SPB13R	PG13.5	5.0-9.0 / <i>0.20-0.35</i>	24.0 / <i>0.945</i>
SPB13	PG13.5	6.0-12.0 / <i>0.24-0.47</i>	24.0 / <i>0.945</i>
SPB16R	PG16	7.0-12.0 / <i>0.28-0.47</i>	27.0 / <i>1.063</i>
SPB16	PG16	10.0-14.0 / <i>0.39-0.55</i>	27.0 / <i>1.063</i>
SPB21R	PG21	9.0-16.0 / <i>0.35-0.63</i>	33.0 / <i>1.299</i>
SPB21	PG21	13.0-18.0 / <i>0.51-0.71</i>	33.0 / <i>1.299</i>
SPB29R	PG29	12.0-20.0 / <i>0.47-0.79</i>	42.0 / <i>1.654</i>
SPB29	PG29	18.0-25.0 / <i>0.71-0.98</i>	42.0 / <i>1.654</i>
SPB36R	PG36	20.0-26.0 / <i>0.79-1.02</i>	53.0 / <i>2.087</i>
SPB36	PG36	22.0-32.0 / <i>0.87-1.26</i>	53.0 / <i>2.087</i>
SPB42	PG42	30.0-38.0 / <i>1.18-1.50</i>	60.0 / <i>2.362</i>
SPB48	PG48	34.0-44.0 / <i>1.34-1.73</i>	65.0 / <i>2.559</i>

030LA*/030LR*

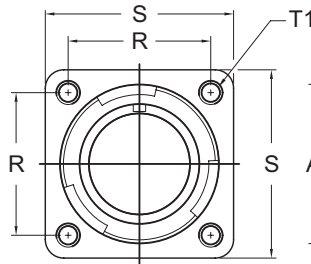
MOUNTING HOLE OPTION



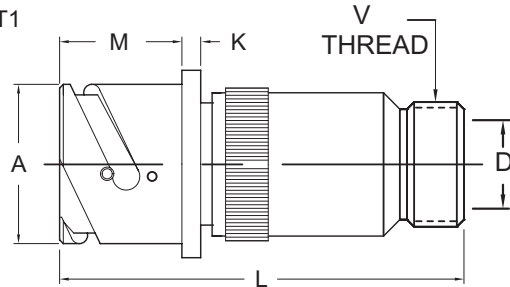
THREADED MOUNTING HOLE CODES

CODE	MOUNTING HOLE TYPE
FP	Thru holes
None	Metric thread - Standard
UN	UNC thread

FRONT VIEW



SIDE VIEW



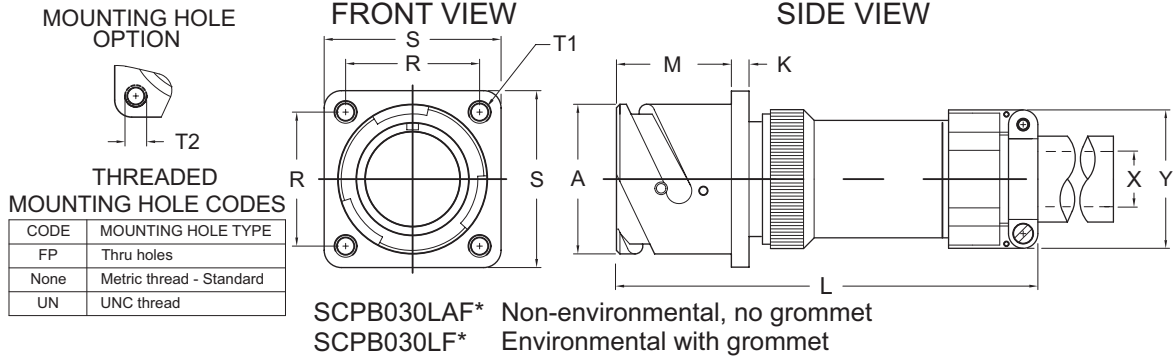
SCPB030LA* Non-environmental, no grommet
SCPB030LR* Environmental with grommet

SHELL SIZE	FRONT VIEW				SIDE VIEW						
	R <i>±0.1±.004</i>	S <i>±0.3±.012</i>	T1 <i>+0.1/+0.004 -0.0/-0.000</i> STYLE FP	T2 THREAD		A <i>+0.00/+0.000 -0.15/-0.006</i>	D MIN.	K <i>±0.2±.008</i>	L APPX.	M <i>+0.4/+0.016 -0.0/-0.000</i>	V THREAD CLASS 2A
				METRIC	UNC						
10SL	18.2/ <i>0.717</i>	25.4/ <i>1.000</i>	3.2/ <i>0.126</i>	M4	8-32UNC	18.2/ <i>0.717</i>	8.2/ <i>0.323</i>	2.8/ <i>0.110</i>	70/ <i>2.756</i>	18.20/ <i>0.717</i>	5/8-24 UNEF
14S	23.0/ <i>0.906</i>	30.0/ <i>1.181</i>	3.2/ <i>0.126</i>	M4	8-32UNC	24.6/ <i>0.969</i>	11.1/ <i>0.437</i>	3.2/ <i>0.126</i>	71/ <i>2.795</i>	18.20/ <i>0.717</i>	3/4-20 UNEF
16S	24.6/ <i>0.969</i>	32.5/ <i>1.280</i>	3.2/ <i>0.126</i>	M4	8-32UNC	27.4/ <i>1.079</i>	14.3/ <i>0.563</i>	3.2/ <i>0.126</i>	71/ <i>2.795</i>	18.20/ <i>0.717</i>	7/8-20 UNEF
16	24.6/ <i>0.969</i>	32.5/ <i>1.280</i>	3.2/ <i>0.126</i>	M4	8-32UNC	27.4/ <i>1.079</i>	14.3/ <i>0.563</i>	3.2/ <i>0.126</i>	77/ <i>3.031</i>	23.05/ <i>0.907</i>	7/8-20 UNEF
18	27.0/ <i>1.063</i>	35.0/ <i>1.378</i>	3.2/ <i>0.126</i>	M4	8-32UNC	30.8/ <i>1.213</i>	16.7/ <i>0.657</i>	4.0/ <i>0.157</i>	80/ <i>3.150</i>	23.05/ <i>0.907</i>	1-20 UNEF
20	29.4/ <i>1.157</i>	38.0/ <i>1.496</i>	3.2/ <i>0.126</i>	M4	8-32UNC	34.2/ <i>1.346</i>	19.8/ <i>0.780</i>	4.0/ <i>0.157</i>	80/ <i>3.150</i>	23.05/ <i>0.907</i>	1 3/16-18 UNEF
22	31.8/ <i>1.252</i>	41.0/ <i>1.614</i>	3.2/ <i>0.126</i>	M4	8-32UNC	37.4/ <i>1.472</i>	19.8/ <i>0.780</i>	4.0/ <i>0.157</i>	80/ <i>3.150</i>	23.05/ <i>0.907</i>	1 3/16-18 UNEF
24	34.9/ <i>1.374</i>	44.5/ <i>1.752</i>	3.7/ <i>0.146</i>	M4	10-24UNC	40.9/ <i>1.610</i>	25.4/ <i>1.000</i>	4.0/ <i>0.157</i>	79/ <i>3.110</i>	23.05/ <i>0.907</i>	1 7/16-18 UNEF
28	39.7/ <i>1.563</i>	50.8/ <i>2.000</i>	3.7/ <i>0.146</i>	M5	10-24UNC	46.7/ <i>1.839</i>	27.0/ <i>1.063</i>	4.0/ <i>0.157</i>	86/ <i>3.386</i>	24.05/ <i>0.947</i>	1 7/16-18 UNEF
32	44.5/ <i>1.752</i>	57.0/ <i>2.244</i>	4.3/ <i>0.169</i>	M5	1/4-20UNC	53.4/ <i>2.102</i>	32.5/ <i>1.280</i>	4.0/ <i>0.157</i>	88/ <i>3.465</i>	24.05/ <i>0.947</i>	1 3/4-18 UNS
36	49.2/ <i>1.937</i>	63.5/ <i>2.500</i>	4.3/ <i>0.169</i>	M5	1/4-20UNC	59.6/ <i>2.346</i>	35.7/ <i>1.406</i>	4.0/ <i>0.157</i>	88/ <i>3.465</i>	24.05/ <i>0.947</i>	2-18 UNS
40	55.5/ <i>2.185</i>	69.9/ <i>2.752</i>	4.3/ <i>0.169</i>	M5	1/4-20UNC	65.5/ <i>2.579</i>	45.0/ <i>1.772</i>	4.0/ <i>0.157</i>	88/ <i>3.465</i>	24.05/ <i>0.947</i>	2 1/4-16 UN

DIMENSIONS IN ITALIC ARE INCHES.

WALL MOUNT RECEPTACLE, REAR PANEL MOUNT

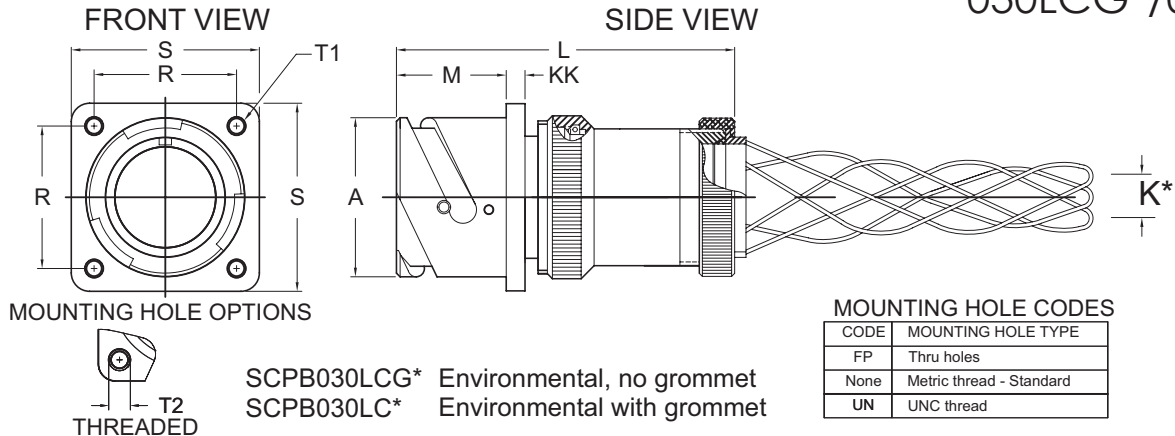
030LAF*/030LF*



SHELL SIZE	FRONT VIEW					SIDE VIEW					
	R ±0.1/±.004	S ±0.3/±.012	T1 +0.1/+.004 -0.0/-0.000	T2 THREAD		A +0.00/+0.000 -0.15/-0.006	K ±0.2±.008	L MAX	M +0.4/+0.016 -0.0/-0.000	X MIN	Y MAX
				METRIC	UNC						
10SL	18.2/0.717	25.4/1.000	3.2/0.126	M4	8-32UNC	18.2/0.717	2.8/0.110	92/3.622	18.20/0.717	5.6/0.220	22.7/0.894
14S	23.0/0.906	30.0/1.181	3.2/0.126	M4	8-32UNC	24.6/0.969	3.2/0.126	93/3.661	18.20/0.717	7.9/0.311	27.5/1.083
16S	24.6/0.969	32.5/1.280	3.2/0.126	M4	8-32UNC	27.4/1.079	3.2/0.126	95/3.740	18.20/0.717	11.0/0.433	30.0/1.181
16	24.6/0.969	32.5/1.280	3.2/0.126	M4	8-32UNC	27.4/1.079	3.2/0.126	111/4.370	23.05/0.907	11.0/0.433	30.0/1.181
18	27.0/1.063	35.0/1.378	3.2/0.126	M4	8-32UNC	30.8/1.213	4.0/0.157	111/4.370	23.05/0.907	14.2/0.559	32.2/1.268
20	29.4/1.157	38.0/1.496	3.2/0.126	M4	8-32UNC	34.2/1.346	4.0/0.157	111/4.370	23.05/0.907	15.8/0.622	37.5/1.476
22	31.8/1.252	41.0/1.614	3.2/0.126	M4	8-32UNC	37.4/1.472	4.0/0.157	111/4.370	23.05/0.907	15.8/0.622	37.5/1.476
24	34.9/1.374	44.5/1.752	3.7/0.146	M4	10-24UNC	40.9/1.610	4.0/0.157	113/4.449	23.05/0.907	19.0/0.748	43.3/1.705
28	39.7/1.563	50.8/2.000	3.7/0.146	M5	10-24UNC	46.7/1.839	4.0/0.157	121/4.764	24.05/0.947	19.0/0.748	43.3/1.705
32	44.5/1.752	57.0/2.244	4.3/0.169	M5	1/4-20UNC	53.4/2.102	4.0/0.157	123/4.842	24.05/0.947	23.8/1.051	51.7/2.035
36	49.2/1.937	63.5/2.500	4.3/0.169	M5	1/4-20UNC	59.6/2.346	4.0/0.157	125/4.921	24.05/0.947	31.7/1.248	58.0/2.283
40	55.5/2.185	69.9/2.752	4.3/0.169	M5	1/4-20UNC	65.5/2.579	4.0/0.157	138/5.433	24.05/0.947	34.9/1.374	65.5/2.579

DIMENSIONS IN ITALIC ARE INCHES.

030LCG*/030LC*



SHELL SIZE	FRONT VIEW					SIDE VIEW				CABLE RANGE		
	R ±0.1/±.004	S ±0.3/±.012	T1 +0.1/+.004 -0.0/-0.000	T2 THREAD		A +0.00/+0.000 -0.15/-0.006	KK ±0.2/±.008	L ¹ MAX	M +0.4/+0.016 -0.0/-0.000	K*	MIN	MAX
				METRIC	UNC							
10SL	18.2/0.717	25.4/1.000	3.2/0.126	M4	8-32UNC	18.2/0.717	2.8/0.110	100/3.937	18.20/0.717	K0	6.35 / 0.250	9.53 / 0.375
14S	23.0/0.906	30.0/1.181	3.2/0.126	M4	8-32UNC	24.6/0.969	3.2/0.126	100/3.937	18.20/0.717	K1	9.53 / 0.375	12.7 / 0.500
16S	24.6/0.969	32.5/1.280	3.2/0.126	M4	8-32UNC	27.4/1.079	3.2/0.126	100/3.937	18.20/0.717	K2	12.7 / 0.500	15.87 / 0.625
16	24.6/0.969	32.5/1.280	3.2/0.126	M4	8-32UNC	27.4/1.079	3.2/0.126	110/4.331	23.05/0.907	K3	15.87 / 0.625	19.05 / 0.750
18	27.0/1.063	35.0/1.378	3.2/0.126	M4	8-32UNC	30.8/1.213	4.0/0.157	110/4.331	23.05/0.907	K4	19.05 / 0.750	22.23 / 0.875
20	29.4/1.157	38.0/1.496	3.2/0.126	M4	8-32UNC	34.2/1.346	4.0/0.157	116/4.567	23.05/0.907	K5	22.23 / 0.875	25.40 / 1.000
22	31.8/1.252	41.0/1.614	3.2/0.126	M4	8-32UNC	37.4/1.472	4.0/0.157	116/4.567	23.05/0.907	K6	25.40 / 1.000	28.45 / 1.120
24	34.9/1.374	44.5/1.752	3.7/0.146	M4	10-24UNC	40.9/1.610	4.0/0.157	120/4.724	23.05/0.907	K7	28.45 / 1.120	31.75 / 1.250
28	39.7/1.563	50.8/2.000	3.7/0.146	M5	10-24UNC	46.7/1.839	4.0/0.157	129/5.079	24.05/0.947	K8	32.77 / 1.290	38.10 / 1.500
32	44.5/1.752	57.0/2.244	4.3/0.169	M5	1/4-20UNC	53.4/2.102	4.0/0.157	145/5.709	24.05/0.947	K9	39.62 / 1.560	41.28 / 1.625
36	49.2/1.937	63.5/2.500	4.3/0.169	M5	1/4-20UNC	59.6/2.346	4.0/0.157	145/5.709	24.05/0.947	K10	41.28 / 1.625	44.45 / 1.750
40	55.5/2.185	69.9/2.752	4.3/0.169	M5	1/4-20UNC	65.5/2.579	4.0/0.157	145/5.709	24.05/0.947			

1. DIMENSION L WILL VARY FROM THE VALUES INDICATED WITH ESCALATING OR DE-ESCALATING BACKSHELLS AND SOME SPECIAL INSERT CONFIGURATIONS.

DIMENSIONS IN ITALIC ARE INCHES.

WALL MOUNT RECEPTACLE, REAR PANEL MOUNT

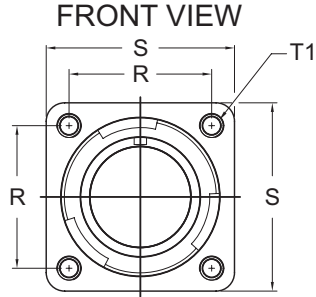
030LCF*/030LCFZ*

MOUNTING HOLE OPTION

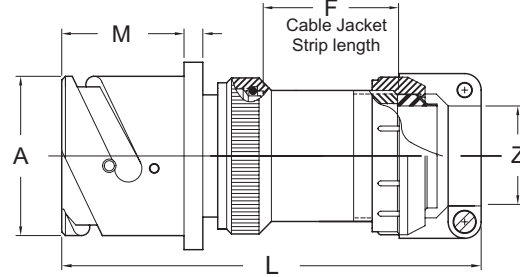


THREADED
MOUNTING HOLE CODES

CODE	MOUNTING HOLE TYPE
FP	Thru holes
None	Metric thread - Standard
UN	UNC thread



SIDE VIEW



SCPB030LCF* Environmental, no grommet
SCPB030LCFZ* Environmental with grommet

SHELL SIZE	FRONT VIEW					SIDE VIEW						
	R ±0.1/±0.004	S ±0.3/±0.012	T1 +0.1/+0.004 -0.0/-0.000 STYLE FP	T2 THREAD		A +0.00/+0.000 -0.15/-0.006	F REF	K ±0.2/±0.008	L MAX	M +0.4/+0.016 -0.0/-0.000	Z	
				METRIC	UNC						OPEN	CLOSED
10SL	18.2/0.717	25.4/1.000	3.2/0.126	M4	8-32UNC	18.2/0.717	42.0/1.654	2.8/0.110	101/3.976	18.20/0.717	7.93/0.312	2.38/0.094
14S	23.0/0.906	30.0/1.181	3.2/0.126	M4	8-32UNC	24.6/0.969	42.6/1.677	3.2/0.126	101/3.976	18.20/0.717	11.12/0.438	5.84/0.230
16S	24.6/0.969	32.5/1.280	3.2/0.126	M4	8-32UNC	27.4/1.079	42.6/1.677	3.2/0.126	104/4.094	18.20/0.717	13.48/0.531	8.0/0.315
16	24.6/0.969	32.5/1.280	3.2/0.126	M4	8-32UNC	27.4/1.079	42.6/1.677	3.2/0.126	114/4.488	23.05/0.907	13.48/0.531	8.0/0.315
18	27.0/1.063	35.0/1.378	3.2/0.126	M4	8-32UNC	30.8/1.213	45.8/1.803	4.0/0.157	119/4.685	23.05/0.907	15.87/0.625	9.6/0.378
20	29.4/1.157	38.0/1.496	3.2/0.126	M4	8-32UNC	34.2/1.346	45.9/1.807	4.0/0.157	119/4.685	23.05/0.907	19.00/0.748	11.3/0.445
22	31.8/1.252	41.0/1.614	3.2/0.126	M4	8-32UNC	37.4/1.472	45.9/1.807	4.0/0.157	119/4.685	23.05/0.907	19.00/0.748	11.3/0.445
24	34.9/1.374	44.5/1.752	3.7/0.146	M4	10-24UNC	40.9/1.610	44.5/1.752	4.0/0.157	124/4.882	23.05/0.907	23.80/0.937	15.5/0.610
28	39.7/1.563	50.8/2.000	3.7/0.146	M5	10-24UNC	46.7/1.839	49.5/1.949	4.0/0.157	130/5.118	24.05/0.947	23.80/0.937	15.5/0.610
32	44.5/1.752	57.0/2.244	4.3/0.169	M5	1/4-20UNC	53.4/2.102	49.6/1.953	4.0/0.157	137/5.394	24.05/0.947	31.75/1.250	23.4/0.921
36	49.2/1.937	63.5/2.500	4.3/0.169	M5	1/4-20UNC	59.6/2.346	50.0/1.969	4.0/0.157	144/5.669	24.05/0.947	35.00/1.378	23.4/0.921
40	55.5/2.185	69.9/2.752	4.3/0.169	M5	1/4-20UNC	65.5/2.579	50.0/1.969	4.0/0.157	144/5.669	24.05/0.947	41.25/1.624	29.9/1.177

DIMENSIONS IN ITALIC ARE INCHES.

030NMG*/030NM*

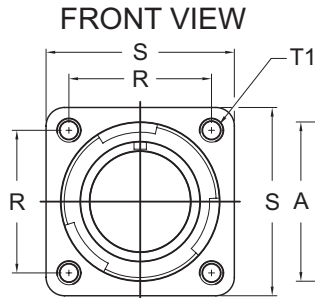
MOUNTING HOLE
OPTION



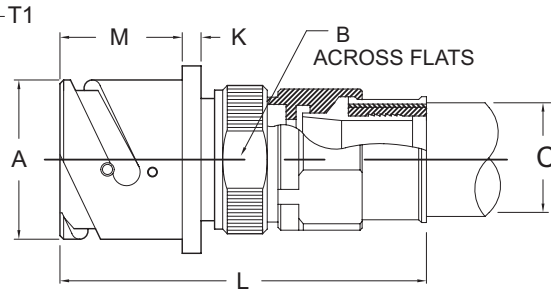
THREADED

MOUNTING HOLE CODES

CODE	MOUNTING HOLE TYPE
FP	Thru holes
None	Metric thread - Standard
UN	UNC thread



SIDE VIEW



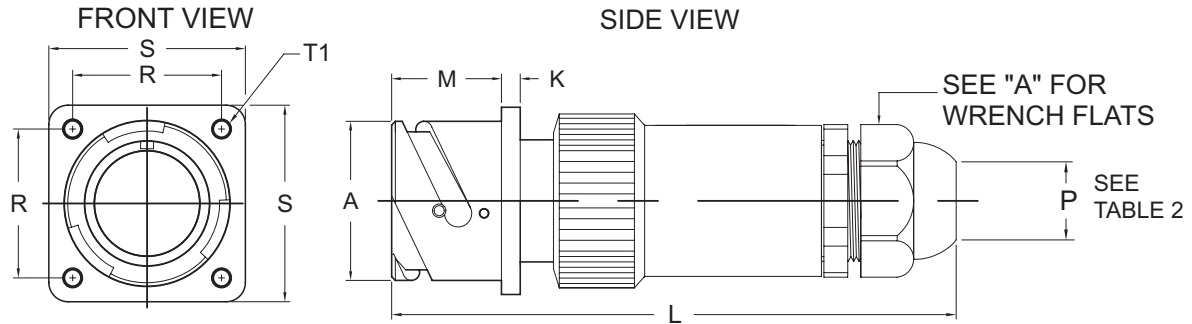
SCPB030NMG* Environmental, no grommet
SCPB030NM* Environmental with grommet

SHELL SIZE	FRONT VIEW					SIDE VIEW					CODE (***)	AVAILABLE CONDUIT SIZES C
	R ±0.1/±0.004	S ±0.3/±0.012	T1 +0.1/+0.004 -0.0/-0.000 STYLE FP	T2 THREAD		A +0.00/+0.000 -0.15/-0.006	B ACROSS FLATS	K ±0.2/±0.008	L	M +0.4/+0.016 -0.0/-0.000		
				METRIC	UNC							
10SL	18.2/0.717	25.4/1.000	3.2/0.126	M4	8-32UNC	18.2/0.717	17.8/0.701	2.8/0.110	Dimension L is dependent on conduit size used with each shell size. (consult factory)	18.20/0.717	(038) 9.52/3/8	
14S	23.0/0.906	30.0/1.181	3.2/0.126	M4	8-32UNC	24.6/0.969	23.8/0.937	3.2/0.126		18.20/0.717	(050) 12.70/1/2	
16S	24.6/0.969	32.5/1.280	3.2/0.126	M4	8-32UNC	27.4/1.079	25.4/1.000	3.2/0.126		18.20/0.717	(075) 19.05/3/4	
16	24.6/0.969	32.5/1.280	3.2/0.126	M4	8-32UNC	27.4/1.079	25.4/1.000	3.2/0.126		23.05/0.907	(100) 25.40/1	
18	27.0/1.063	35.0/1.378	3.2/0.126	M4	8-32UNC	30.8/1.213	28.6/1.126	4.0/0.157		23.05/0.907	(125) 31.75/1 1/4	
20	29.4/1.157	38.0/1.496	3.2/0.126	M4	8-32UNC	34.2/1.346	31.7/1.248	4.0/0.157		23.05/0.907	(150) 38.10/1 1/2	
22	31.8/1.252	41.0/1.614	3.2/0.126	M4	8-32UNC	37.4/1.472	34.9/1.374	4.0/0.157		23.05/0.907	(200) 50.80/2	
24	34.9/1.374	44.5/1.752	3.7/0.146	M4	10-24UNC	40.9/1.610	38.1/1.500	4.0/0.157		23.05/0.907	(***) Conduit Size must be specified as part of the connector part number using Conduit code	
28	39.7/1.563	50.8/2.000	3.7/0.146	M5	10-24UNC	46.7/1.839	44.4/1.748	4.0/0.157		24.05/0.947		
32	44.5/1.752	57.0/2.244	4.3/0.169	M5	1/4-20UNC	53.4/2.102	50.8/2.000	4.0/0.157		24.05/0.947		
36	49.2/1.937	63.5/2.500	4.3/0.169	M5	1/4-20UNC	59.6/2.346	57.1/2.248	4.0/0.157		24.05/0.947		
40	55.5/2.185	69.9/2.752	4.3/0.169	M5	1/4-20UNC	65.5/2.579	61.9/2.437	4.0/0.157		24.05/0.947		

DIMENSIONS IN ITALIC ARE INCHES.

WALL MOUNT RECEPTACLE, REAR PANEL MOUNT

030SL*/030SL1*



SCPB030SL* Environmental, no grommet
 SCPB030SL1* Environmental with grommet



MOUNTING HOLE CODES

CODE	MOUNTING HOLE TYPE
FP	Thru holes
None	Metric thread - Standard
UN	UNC thread

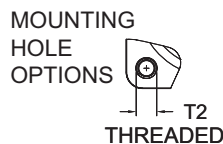
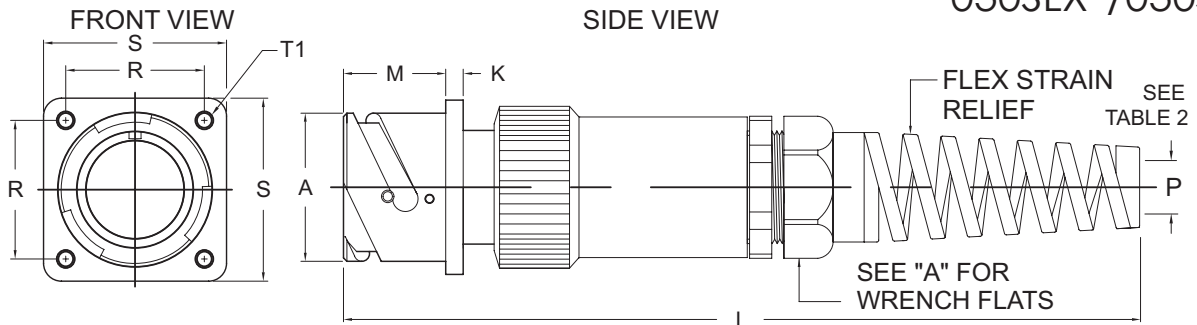
TABLE 2: CABLE RANGE CODE

(XX) CABLE CODE NO STRAIN RELIEF	TYPE	P CABLE RANGE	A WRENCH FLATS
07R	PG7	2.0-5.0 / 0.08-0.20	15.0 / 0.591
07	PG7	3.0-6.5 / 0.12-0.26	15.0 / 0.591
09R	PG9	2.0-6.0 / 0.08-0.24	19.0 / 0.748
09	PG9	4.0-8.0 / 0.16-0.31	19.0 / 0.748
11R	PG11	3.0-7.0 / 0.12-0.28	22.0 / 0.866
11	PG11	5.0-10.0 / 0.20-0.39	22.0 / 0.866
13R	PG13.5	5.0-9.0 / 0.20-0.35	24.0 / 0.945
13	PG13.5	6.0-12.0 / 0.24-0.47	24.0 / 0.945
16R	PG16	7.0-12.0 / 0.28-0.47	27.0 / 1.063
16	PG16	10.0-14.0 / 0.39-0.55	27.0 / 1.063
21R	PG21	9.0-16.0 / 0.35-0.63	33.0 / 1.299
21	PG21	13.0-18.0 / 0.51-0.71	33.0 / 1.299
29R	PG29	12.0-20.0 / 0.47-0.79	42.0 / 1.654
29	PG29	18.0-25.0 / 0.71-1.08	42.0 / 1.654
36R	PG36	20.0-26.0 / 0.79-1.02	53.0 / 2.087
36	PG36	22.0-32.0 / 0.87-1.26	53.0 / 2.087
42	PG42	30.0-38.0 / 1.18-1.50	60.0 / 2.362
48	PG48	34.0-44.0 / 1.34-1.73	65.0 / 2.559

SHELL SIZE	FRONT VIEW			T2 THREAD		SIDE VIEW		L	M
	R	S	T1	METRIC	UNC	A	K		
	$\pm 0.1 \pm .004$	$\pm 0.3 \pm .012$	$+0.1 / +.004$ $-0.0 / -.000$			$+0.00 / +.000$ $-0.15 / -.006$	$\pm 0.2 \pm .008$		
10SL	18.2 / 0.717	25.4 / 1.000	3.2 / 0.126	M4	8-32UNC	18.2 / 0.717	2.8 / 0.110	18.20 / 0.717	
14S	23.0 / 0.906	30.0 / 1.181	3.2 / 0.126	M4	8-32UNC	24.6 / 0.969	3.2 / 0.126	18.20 / 0.717	
16S	24.6 / 0.969	32.5 / 1.280	3.2 / 0.126	M4	8-32UNC	27.4 / 1.079	3.2 / 0.126	18.20 / 0.717	
16	24.6 / 0.969	32.5 / 1.280	3.2 / 0.126	M4	8-32UNC	27.4 / 1.079	3.2 / 0.126	23.05 / 0.907	
18	27.0 / 1.063	35.0 / 1.378	3.2 / 0.126	M4	8-32UNC	30.8 / 1.213	4.0 / 0.157	23.05 / 0.907	
20	29.4 / 1.157	38.0 / 1.496	3.2 / 0.126	M4	8-32UNC	34.2 / 1.346	4.0 / 0.157	23.05 / 0.907	
22	31.8 / 1.252	41.0 / 1.614	3.2 / 0.126	M4	8-32UNC	37.4 / 1.472	4.0 / 0.157	23.05 / 0.907	
24	34.9 / 1.374	44.5 / 1.752	3.7 / 0.146	M4	10-24UNC	40.9 / 1.610	4.0 / 0.157	23.05 / 0.907	
28	39.7 / 1.563	50.8 / 2.000	3.7 / 0.146	M5	10-24UNC	46.7 / 1.839	4.0 / 0.157	24.05 / 0.947	
32	44.5 / 1.752	57.0 / 2.244	4.3 / 0.169	M5	1/4-20UNC	53.4 / 2.102	4.0 / 0.157	24.05 / 0.947	
36	49.2 / 1.937	63.5 / 2.500	4.3 / 0.169	M5	1/4-20UNC	59.6 / 2.346	4.0 / 0.157	24.05 / 0.947	
40	55.5 / 2.185	69.9 / 2.752	4.3 / 0.169	M5	1/4-20UNC	65.5 / 2.579	4.0 / 0.157	24.05 / 0.947	

DIMENSIONS IN ITALIC ARE INCHES.

030SLX*/030SLX1*



SCPB030SLX* Environmental, no grommet
 SCPB030SLX1* Environmental with grommet

MOUNTING HOLE CODES

CODE	MOUNTING HOLE TYPE
FP	Thru holes
None	Metric thread - Standard
UN	UNC thread

TABLE 2: CABLE RANGE CODE

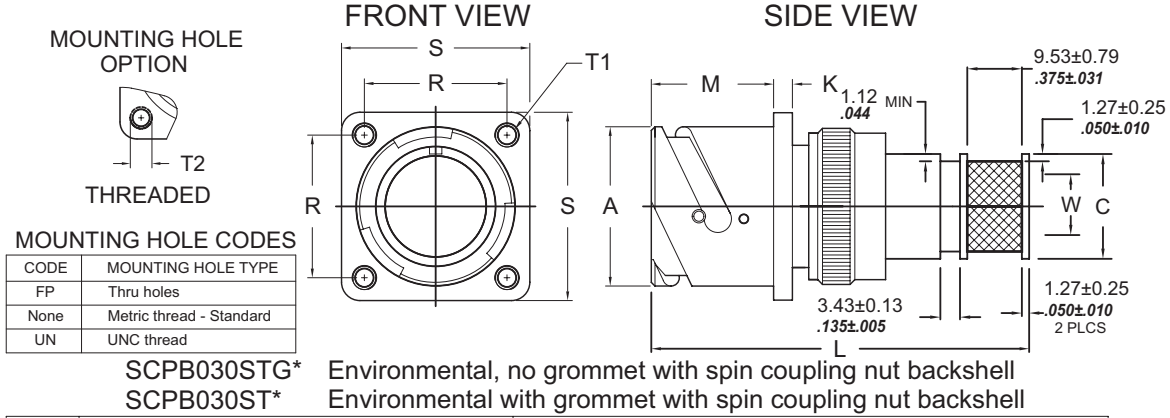
(XX) CABLE CODE NO STRAIN RELIEF	TYPE	P CABLE RANGE	A WRENCH FLATS
07R	PG7	2.0-5.0 / 0.08-0.20	15.0 / 0.591
07	PG7	3.0-6.5 / 0.12-0.26	15.0 / 0.591
09R	PG9	2.0-6.0 / 0.08-0.24	19.0 / 0.748
09	PG9	4.0-8.0 / 0.16-0.31	19.0 / 0.748
11R	PG11	3.0-7.0 / 0.12-0.28	22.0 / 0.866
11	PG11	5.0-10.0 / 0.20-0.39	22.0 / 0.866
13R	PG13.5	5.0-9.0 / 0.20-0.35	24.0 / 0.945
13	PG13.5	6.0-12.0 / 0.24-0.47	24.0 / 0.945
16R	PG16	7.0-12.0 / 0.28-0.47	27.0 / 1.063
16	PG16	10.0-14.0 / 0.39-0.55	27.0 / 1.063
21R	PG21	9.0-16.0 / 0.35-0.63	33.0 / 1.299
21	PG21	13.0-18.0 / 0.51-0.71	33.0 / 1.299
29R	PG29	12.0-20.0 / 0.47-0.79	42.0 / 1.654
29	PG29	18.0-25.0 / 0.71-1.08	42.0 / 1.654
36R	PG36	20.0-26.0 / 0.79-1.02	53.0 / 2.087
36	PG36	22.0-32.0 / 0.87-1.26	53.0 / 2.087
42	PG42	30.0-38.0 / 1.18-1.50	60.0 / 2.362
48	PG48	34.0-44.0 / 1.34-1.73	65.0 / 2.559

SHELL SIZE	FRONT VIEW			T2 THREAD		SIDE VIEW		L	M
	R	S	T1	METRIC	UNC	A	K		
	$\pm 0.1 \pm .004$	$\pm 0.3 \pm .012$	$+0.1 / +.004$ $-0.0 / -.000$			$+0.00 / +.000$ $-0.15 / -.006$	$\pm 0.2 \pm .008$		
10SL	18.2 / 0.717	25.4 / 1.000	3.2 / 0.126	M4	8-32UNC	18.2 / 0.717	2.8 / 0.110	18.20 / 0.717	
14S	23.0 / 0.906	30.0 / 1.181	3.2 / 0.126	M4	8-32UNC	24.6 / 0.969	3.2 / 0.126	18.20 / 0.717	
16S	24.6 / 0.969	32.5 / 1.280	3.2 / 0.126	M4	8-32UNC	27.4 / 1.079	3.2 / 0.126	18.20 / 0.717	
16	24.6 / 0.969	32.5 / 1.280	3.2 / 0.126	M4	8-32UNC	27.4 / 1.079	3.2 / 0.126	23.05 / 0.907	
18	27.0 / 1.063	35.0 / 1.378	3.2 / 0.126	M4	8-32UNC	30.8 / 1.213	4.0 / 0.157	23.05 / 0.907	
20	29.4 / 1.157	38.0 / 1.496	3.2 / 0.126	M4	8-32UNC	34.2 / 1.346	4.0 / 0.157	23.05 / 0.907	
22	31.8 / 1.252	41.0 / 1.614	3.2 / 0.126	M4	8-32UNC	37.4 / 1.472	4.0 / 0.157	23.05 / 0.907	
24	34.9 / 1.374	44.5 / 1.752	3.7 / 0.146	M4	10-24UNC	40.9 / 1.610	4.0 / 0.157	23.05 / 0.907	
28	39.7 / 1.563	50.8 / 2.000	3.7 / 0.146	M5	10-24UNC	46.7 / 1.839	4.0 / 0.157	24.05 / 0.947	
32	44.5 / 1.752	57.0 / 2.244	4.3 / 0.169	M5	1/4-20UNC	53.4 / 2.102	4.0 / 0.157	24.05 / 0.947	
36	49.2 / 1.937	63.5 / 2.500	4.3 / 0.169	M5	1/4-20UNC	59.6 / 2.346	4.0 / 0.157	24.05 / 0.947	
40	55.5 / 2.185	69.9 / 2.752	4.3 / 0.169	M5	1/4-20UNC	65.5 / 2.579	4.0 / 0.157	24.05 / 0.947	

DIMENSIONS IN ITALIC ARE INCHES. * CONSULT FACTORY

WALL MOUNT RECEPTACLE, REAR PANEL MOUNT

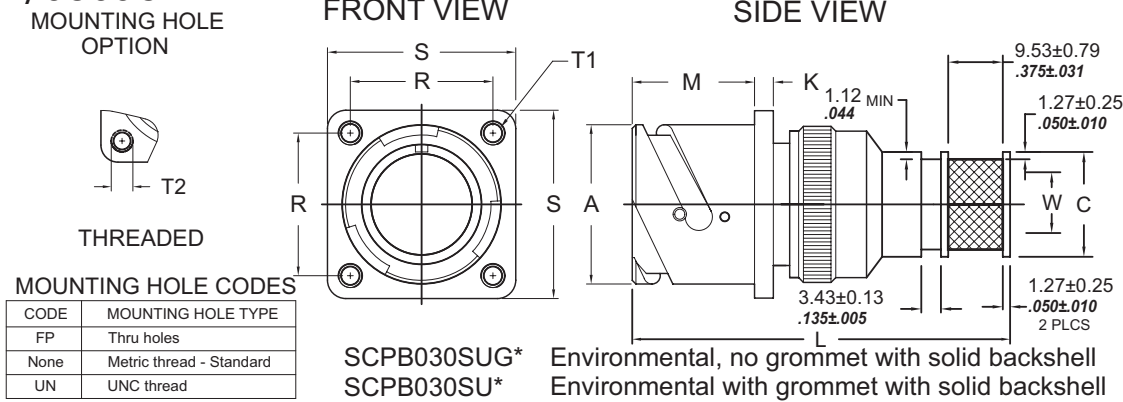
030STG*/030ST*



SHELL SIZE	FRONT VIEW				SIDE VIEW						
	R ±0.1/±0.04	S ±0.3/±0.12	T1 +0.14/.004 -0.0/-0.000 STYLE FP	T2 THREAD		A +0.00/+0.000 -0.15/-0.006	C	K ±0.2±0.008	L MAX	M +0.4/+0.016 -0.0/-0.000	W
				METRIC	UNC						
10SL	18.2/0.717	25.4/1.000	3.2/0.126	M4	8-32UNC	18.2/0.717	12.70/0.500	2.8/0.110	61.0/2.400	18.20/0.717	7.92/0.312
14S	23.0/0.906	30.0/1.181	3.2/0.126	M4	8-32UNC	24.6/0.969	16.00/0.630	3.2/0.126	61.6/2.425	18.20/0.717	11.18/0.440
16S	24.6/0.969	32.5/1.280	3.2/0.126	M4	8-32UNC	27.4/1.079	17.78/0.700	3.2/0.126	61.0/2.400	18.20/0.717	12.70/0.500
16	24.6/0.969	32.5/1.280	3.2/0.126	M4	8-32UNC	27.4/1.079	17.78/0.700	3.2/0.126	66.7/2.625	23.05/0.907	12.70/0.500
18	27.0/1.063	35.0/1.378	3.2/0.126	M4	8-32UNC	30.8/1.213	20.57/0.810	4.0/0.157	66.7/2.625	23.05/0.907	15.87/0.625
20	29.4/1.157	38.0/1.496	3.2/0.126	M4	8-32UNC	34.2/1.346	20.57/0.810	4.0/0.157	66.7/2.625	23.05/0.907	15.87/0.625
22	31.8/1.252	41.0/1.614	3.2/0.126	M4	8-32UNC	37.4/1.472	22.10/0.870	4.0/0.157	66.7/2.625	23.05/0.907	17.53/0.690
24	34.9/1.374	44.5/1.752	3.7/0.146	M4	10-24UNC	40.9/1.610	23.87/0.940	4.0/0.157	68.6/2.700	23.05/0.907	19.05/0.750
28	39.7/1.563	50.8/2.000	3.7/0.146	M5	10-24UNC	46.7/1.839	26.90/1.060	4.0/0.157	68.6/2.700	24.05/0.947	22.23/0.875
32	44.5/1.752	57.0/2.244	4.3/0.169	M5	1/4-20UNC	53.4/2.102	CONSULT SALES	4.0/0.157	CONSULT SALES	24.05/0.947	CONSULT SALES
36	49.2/1.937	63.5/2.500	4.3/0.169	M5	1/4-20UNC	59.6/2.346		4.0/0.157		24.05/0.947	
40	55.5/2.185	69.9/2.752	4.3/0.169	M5	1/4-20UNC	65.5/2.579		4.0/0.157		24.05/0.947	

DIMENSIONS IN ITALIC ARE INCHES.

030SUG*/030SU*

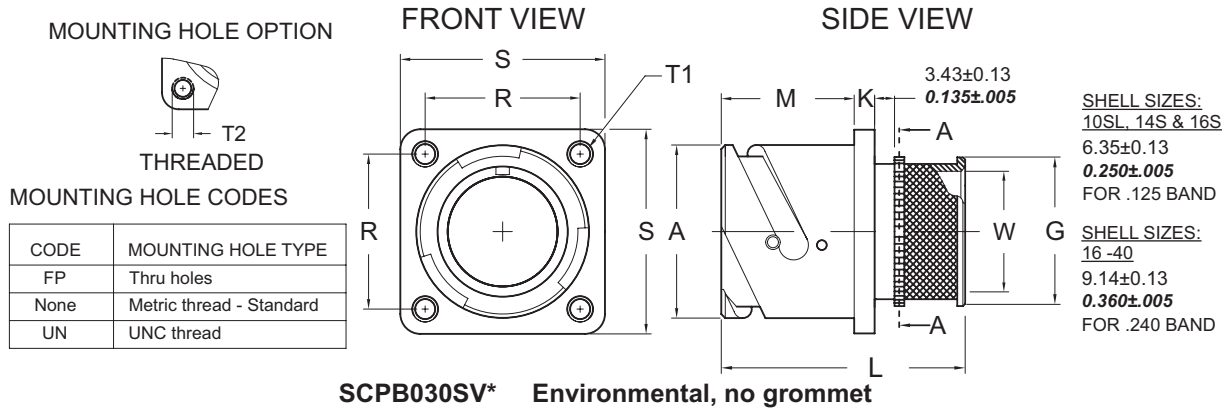


SHELL SIZE	FRONT VIEW				SIDE VIEW						
	R ±0.1/±0.04	S ±0.3/±0.12	T1 +0.14/.004 -0.0/-0.000 STYLE FP	T2 THREAD		A +0.00/+0.000 -0.15/-0.006	C ±0.08/±0.003	K ±0.2±0.008	L MAX	M +0.4/+0.016 -0.0/-0.000	W ±0.13/±0.005
				METRIC	UNC						
10SL	18.2/0.717	25.4/1.000	3.2/0.126	M4	8-32UNC	18.2/0.717	12.70/0.500	2.8/0.110	61.0/2.400	18.20/0.717	7.92/0.312
14S	23.0/0.906	30.0/1.181	3.2/0.126	M4	8-32UNC	24.6/0.969	16.00/0.630	3.2/0.126	61.6/2.425	18.20/0.717	11.18/0.440
16S	24.6/0.969	32.5/1.280	3.2/0.126	M4	8-32UNC	27.4/1.079	17.78/0.700	3.2/0.126	61.0/2.400	18.20/0.717	12.70/0.500
16	24.6/0.969	32.5/1.280	3.2/0.126	M4	8-32UNC	27.4/1.079	17.78/0.700	3.2/0.126	66.7/2.625	23.05/0.907	12.70/0.500
18	27.0/1.063	35.0/1.378	3.2/0.126	M4	8-32UNC	30.8/1.213	20.57/0.810	4.0/0.157	66.7/2.625	23.05/0.907	15.87/0.625
20	29.4/1.157	38.0/1.496	3.2/0.126	M4	8-32UNC	34.2/1.346	20.57/0.810	4.0/0.157	66.7/2.625	23.05/0.907	15.87/0.625
22	31.8/1.252	41.0/1.614	3.2/0.126	M4	8-32UNC	37.4/1.472	22.10/0.870	4.0/0.157	66.7/2.625	23.05/0.907	17.53/0.690
24	34.9/1.374	44.5/1.752	3.7/0.146	M4	10-24UNC	40.9/1.610	23.87/0.940	4.0/0.157	68.6/2.700	23.05/0.907	19.05/0.750
28	39.7/1.563	50.8/2.000	3.7/0.146	M5	10-24UNC	46.7/1.839	26.90/1.060	4.0/0.157	68.6/2.700	24.05/0.947	22.23/0.875
32	44.5/1.752	57.0/2.244	4.3/0.169	M5	1/4-20UNC	53.4/2.102	CONSULT SALES	4.0/0.157	CONSULT SALES	24.05/0.947	CONSULT SALES
36	49.2/1.937	63.5/2.500	4.3/0.169	M5	1/4-20UNC	59.6/2.346		4.0/0.157		24.05/0.947	
40	55.5/2.185	69.9/2.752	4.3/0.169	M5	1/4-20UNC	65.5/2.579		4.0/0.157		24.05/0.947	

DIMENSIONS IN ITALIC ARE INCHES.

WALL MOUNT RECEPTACLE, REAR PANEL MOUNT

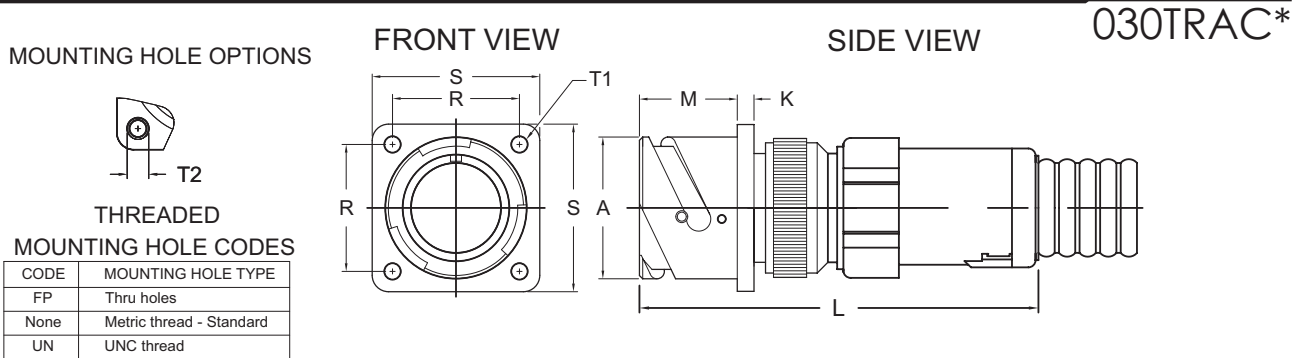
030SV*



SCPB030SV* Environmental, no grommet

SHELL SIZE	FRONT VIEW					SIDE VIEW							
	R ±0.1/±0.04	S ±0.3/±0.12	T1 +0.1/+0.004 -0.0/-0.000 STYLE FP	T2 THREAD		A +0.00/+0.000 -0.15/-0.006	G MAX	K ±0.2/±0.008	L MAX	M +0.4/+0.016 -0.0/-0.000	W MIN	X ±0.4/±0.016	
				METRIC	UNC							.240 BAND	.120 BAND
10SL	18.2/0.717	25.4/1.000	3.2/0.126	M4	8-32UNC	18.2/0.717	16.1/0.632	2.8/0.110	33.53/1.320	18.20/0.717	12.1/0.475	-	5.8/0.230
14S	23.0/0.906	30.0/1.181	3.2/0.126	M4	8-32UNC	24.6/0.969	19.2/0.755	3.2/0.126	33.53/1.320	18.20/0.717	15.4/0.605	-	5.8/0.230
16S	24.6/0.969	32.5/1.280	3.2/0.126	M4	8-32UNC	27.4/1.079	22.4/0.880	3.2/0.126	33.53/1.320	18.20/0.717	18.7/0.735	-	5.8/0.230
16	24.6/0.969	32.5/1.280	3.2/0.126	M4	8-32UNC	27.4/1.079	22.4/0.880	3.2/0.126	42.80/1.685	23.05/0.907	18.7/0.735	3.7/0.145	-
18	27.0/1.063	35.0/1.378	3.2/0.126	M4	8-32UNC	30.8/1.213	25.5/1.005	4.0/0.157	42.80/1.685	23.05/0.907	21.9/0.860	3.7/0.145	-
20	29.4/1.157	38.0/1.496	3.2/0.126	M4	8-32UNC	34.2/1.346	28.7/1.130	4.0/0.157	42.80/1.685	23.05/0.907	24.8/0.975	3.7/0.145	-
22	31.8/1.252	41.0/1.614	3.2/0.126	M4	8-32UNC	37.4/1.472	31.9/1.255	4.0/0.157	42.80/1.685	23.05/0.907	28.1/1.105	3.7/0.145	-
24	34.9/1.374	44.5/1.752	3.7/0.146	M4	10-24UNC	40.9/1.610	35.1/1.380	4.0/0.157	42.80/1.685	23.05/0.907	31.2/1.230	3.7/0.145	-
28	39.7/1.563	50.8/2.000	3.7/0.146	M5	10-24UNC	46.7/1.839	41.4/1.630	4.0/0.157	43.82/1.725	24.05/0.947	35.9/1.415	4.7/0.185	-
32	44.5/1.752	57.0/2.244	4.3/0.169	M5	1/4-20UNC	53.4/2.102	47.8/1.880	4.0/0.157	43.82/1.725	24.05/0.947	43.1/1.695	4.7/0.185	-
36	49.2/1.937	63.5/2.500	4.3/0.169	M5	1/4-20UNC	59.6/2.346	52.5/2.067	4.0/0.157	43.82/1.725	24.05/0.947	48.0/1.890	4.7/0.185	-
40	55.5/2.185	69.9/2.752	4.3/0.169	M5	1/4-20UNC	65.5/2.579	58.9/2.317	4.0/0.157	43.82/1.725	24.05/0.947	53.8/2.120	4.7/0.185	-

DIMENSIONS IN ITALIC ARE INCHES.



SHELL SIZE	FRONT VIEW					SIDE VIEW			
	R ±0.1/ ±0.04	S ±0.3/ ±0.12	T1 +0.1/+0.004 -0.0/-0.000	T2 THREAD		A +0.00/+0.000 -0.15/-0.006	K ±0.2/ ±0.008	L	M +0.4/ +0.016 -0.0/ -0.000
				METRIC	UNC				
10SL	18.2/0.717	25.4/1.000	3.2/0.126	M4	8-32UNC	18.2/0.717	2.8/0.110		18.20/0.717
14S	23.0/0.906	30.0/1.181	3.2/0.126	M4	8-32UNC	24.6/0.969	3.2/0.126		18.20/0.717
16S	24.6/0.969	32.5/1.280	3.2/0.126	M4	8-32UNC	27.4/1.079	3.2/0.126		18.20/0.717
16	24.6/0.969	32.5/1.280	3.2/0.126	M4	8-32UNC	27.4/1.079	3.2/0.126		23.05/0.907
18	27.0/1.063	35.0/1.378	3.2/0.126	M4	8-32UNC	30.8/1.213	4.0/0.157		23.05/0.907
20	29.4/1.157	38.0/1.496	3.2/0.126	M4	8-32UNC	34.2/1.346	4.0/0.157		23.05/0.907
22	31.8/1.252	41.0/1.614	3.2/0.126	M4	8-32UNC	37.4/1.472	4.0/0.157		23.05/0.907
24	34.9/1.374	44.5/1.752	3.7/0.146	M4	10-24UNC	40.9/1.610	4.0/0.157		23.05/0.907
28	39.7/1.563	50.8/2.000	3.7/0.146	M5	10-24UNC	46.7/1.839	4.0/0.157		24.05/0.947
32	44.5/1.752	57.0/2.244	4.3/0.169	M5	1/4-20UNC	53.4/2.102	4.0/0.157		24.05/0.947
36	49.2/1.937	63.5/2.500	4.3/0.169	M5	1/4-20UNC	59.6/2.346	4.0/0.157		24.05/0.947
40	55.5/2.185	69.9/2.752	4.3/0.169	M5	1/4-20UNC	65.5/2.579	4.0/0.157		24.05/0.947

* Dimension L is dependent on the backshell used, the cable range and the fitting used. Consult factory.

DIMENSIONS IN ITALIC ARE INCHES.

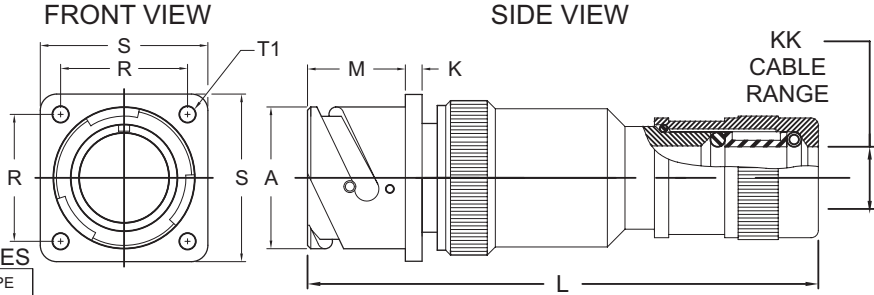
WALL MOUNT RECEPTACLE, REAR PANEL MOUNT

030WK*/030WKG*

MOUNTING HOLE OPTIONS



THREADED



MOUNTING HOLE CODES

CODE	MOUNTING HOLE TYPE
FP	Thru holes
None	Metric thread - Standard
UN	UNC thread

SCPB030WK* Environmental with grommet
SCPB030WKG* Environmental, no grommet

SHELL SIZE	FRONT VIEW				SIDE VIEW				
	R ±0.1/ ±0.04	S ±0.3/ ±0.12	T1 +0.1/+0.04 -0.0/-0.00	T2 THREAD		A +0.00/+0.00 -0.15/-0.06	K ±0.2/ ±0.08	L MAX	M +0.4/ +0.16 -0.0/ -0.00
				METRIC	UNC				
10SL	18.2/0.717	25.4/1.000	3.2/0.126	M4	8-32UNC	18.2/0.717	2.8/0.110	111/ 4.370	18.20/0.717
14S	23.0/0.906	30.0/1.181	3.2/0.126	M4	8-32UNC	24.6/0.969	3.2/0.126	112/ 4.409	18.20/0.717
16S	24.6/0.969	32.5/1.280	3.2/0.126	M4	8-32UNC	27.4/1.079	3.2/0.126	100/ 3.937	18.20/0.717
16	24.6/0.969	32.5/1.280	3.2/0.126	M4	8-32UNC	27.4/1.079	3.2/0.126	110/ 4.331	23.05/0.907
18	27.0/1.063	35.0/1.378	3.2/0.126	M4	8-32UNC	30.8/1.213	4.0/0.157	127/ 5.000	23.05/0.907
20	29.4/1.157	38.0/1.496	3.2/0.126	M4	8-32UNC	34.2/1.346	4.0/0.157	127/ 5.000	23.05/0.907
22	31.8/1.252	41.0/1.614	3.2/0.126	M4	8-32UNC	37.4/1.472	4.0/0.157	133/ 5.236	23.05/0.907
24	34.9/1.374	44.5/1.752	3.7/0.146	M4	10-24UNC	40.9/1.610	4.0/0.157	134/ 5.276	23.05/0.907
28	39.7/1.563	50.8/2.000	3.7/0.146	M5	10-24UNC	46.7/1.839	4.0/0.157	134/ 5.276	24.05/0.947
32	44.5/1.752	57.0/2.244	4.3/0.169	M5	1/4-20UNC	53.4/ 2.102	4.0/0.157	136/ 5.354	24.05/0.947
36	49.2/1.937	63.5/2.500	4.3/0.169	M5	1/4-20UNC	59.6/ 2.346	4.0/0.157	136/ 5.354	24.05/0.947
40	55.5/ 2.185	69.9/2.752	4.3/0.169	M5	1/4-20UNC	65.5/ 2.579	4.0/0.157	136/ 5.354	24.05/0.947

CABLE RANGE CODE	KK	
	MIN	MAX
01	1.59 / 0.063	3.18 / 0.125
02	3.18 / 0.125	6.35 / 0.250
03	6.35 / 0.250	9.53 / 0.375
04	9.53 / 0.375	12.70 / 0.500
05	12.70 / 0.500	15.88 / 0.625
06	15.88 / 0.625	19.05 / 0.750
07	19.05 / 0.750	22.23 / 0.875
08	22.23 / 0.875	25.40 / 1.000
09	25.40 / 1.000	28.58 / 1.125
10	28.58 / 1.125	31.75 / 1.250
11	31.75 / 1.250	34.93 / 1.375
12	34.93 / 1.375	38.10 / 1.500
13	38.10 / 1.500	41.23 / 1.623
14	41.23 / 1.623	44.45 / 1.750
15	44.45 / 1.750	47.63 / 1.875
16	47.63 / 1.875	50.80 / 2.000

DIMENSIONS IN ITALIC ARE INCHES.

1. DIMENSION L WILL VARY FROM THE VALUES INDICATED WITH ESCALATING OR DE-ESCALATING BACKSHELLS AND SOME SPECIAL INSERT CONFIGURATIONS.

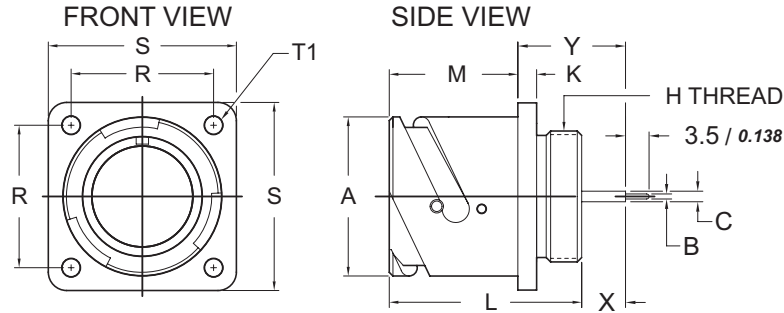
(**) Cable Range must be specified as part of the connector part number using Cable Range Code.

030YM*

MOUNTING HOLE OPTION



THREADED



MOUNTING HOLE CODES

CODE	MOUNTING HOLE TYPE
FP	Thru holes
None	Metric thread - Standard
UN	UNC thread

SCPB030YM* Environmental with PC tail contacts

AVAILABLE CONTACT	B +0.00 /+0.00 -0.05 /-0.002	C +0.00 /+0.00 -0.10 /-0.004
SIZE 16S AND 16	0.75 / 0.030	1.6 / 0.063
SIZE 12	1.8 / 0.071	3.4 / 0.134

Connectors are available only with contact sizes 16S, 16 and 12. For different contact sizes please consult factory.

SHELL SIZE	FRONT VIEW				SIDE VIEW													
	R ±0.1/ ±0.04	S ±0.3/ ±0.12	T1 +0.1/+0.04 -0.0/-0.00	T2 THREAD		A +0.00/+0.00 -0.15/-0.06	K ±0.2/ ±0.08	L ±0.3/ ±0.12	M +0.4/ +0.16 -0.0/ -0.00	H THREAD CLASS 2A	TYPE YM		TYPE YM1		TYPE YM2		TYPE YM3	
				METRIC	UNC						X**	Y**	X**	Y**	X**	Y**	X**	Y**
10SL	18.2/0.717	25.4/1.000	3.2/0.126	M4	8-32UNC	18.2/0.717	2.8/0.110	27.6/1.087	18.20/0.717	5/8-24UNEF	5/0.197*	14.4/0.567*	6.6/0.260*	16.0/0.630*	3.4/0.134*	12.8/0.504*	1.8/0.071*	11.2/0.441*
14S	23.0/0.906	30.0/1.181	3.2/0.126	M4	8-32UNC	24.6/0.969	3.2/0.126	27.6/1.087	18.20/0.717	3/4-20UNEF	5/0.197*	14.4/0.567*	6.6/0.260*	16.0/0.630*	3.4/0.134*	12.8/0.504*	1.8/0.071*	11.2/0.441*
16S	24.6/0.969	32.5/1.280	3.2/0.126	M4	8-32UNC	27.4/1.079	3.2/0.126	27.8/1.087	18.20/0.717	7/8-20UNEF	5/0.197*	14.4/0.567*	6.6/0.260*	16.0/0.630*	3.4/0.134*	12.8/0.504*	1.8/0.071*	11.2/0.441*
16	24.6/0.969	32.5/1.280	3.2/0.126	M4	8-32UNC	27.4/1.079	3.2/0.126	33.8/1.331	23.05/0.907	7/8-20UNEF	5/0.197	15.8/0.622	6.6/0.260	17.4/0.685	3.4/0.134*	14.2/0.559*	1.8/0.071*	12.6/0.496*
18	27.0/1.063	35.0/1.378	3.2/0.126	M4	8-32UNC	30.8/1.213	4.0/0.157	33.8/1.331	23.05/0.907	1-20UNEF	5/0.197	15.8/0.622	6.6/0.260	17.4/0.685	3.4/0.134*	14.2/0.559*	1.8/0.071*	12.6/0.496*
20	29.4/1.157	38.0/1.496	3.2/0.126	M4	8-32UNC	34.2/1.346	4.0/0.157	33.8/1.331	23.05/0.907	1 1/8-18UNEF	5/0.197	15.8/0.622	6.6/0.260	17.4/0.685	3.4/0.134*	14.2/0.559*	1.8/0.071*	12.6/0.496*
22	31.8/1.252	41.0/1.614	3.2/0.126	M4	8-32UNC	37.4/1.472	4.0/0.157	33.8/1.331	23.05/0.907	1 1/4-18UNEF	5/0.197	15.8/0.622	6.6/0.260	17.4/0.685	3.4/0.134*	14.2/0.559*	1.8/0.071*	12.6/0.496*
24	34.9/1.374	44.5/1.752	3.7/0.146	M4	10-24UNC	40.9/1.610	4.0/0.157	35.8/1.409	23.05/0.907	1 3/8-18UNEF	5/0.197	17.8/0.699	6.6/0.260	19.4/0.762	3.4/0.134*	16.2/0.636*	1.8/0.071*	14.6/0.573*
28	39.7/1.563	50.8/2.000	3.7/0.146	M5	10-24UNC	46.7/1.839	4.0/0.157	35.8/1.409	24.05/0.947	1 5/8-18UNEF	5/0.197	16.7/0.657	6.6/0.260*	18.3/0.720*	3.4/0.134	15.1/0.594	1.8/0.071*	13.5/0.531*
32	44.5/1.752	57.0/2.244	4.3/0.169	M5	1/4-20UNC	53.4/ 2.102	4.0/0.157	37.3/1.469	24.05/0.947	1 7/8-16UN	5/0.197*	18.3/0.720*	6.6/0.260*	19.9/0.783*	3.4/0.134	16.7/0.657	1.8/0.071	15.1/0.594
36	49.2/1.937	63.5/2.500	4.3/0.169	M5	1/4-20UNC	59.6/ 2.346	4.0/0.157	37.3/1.469	24.05/0.947	2 1/8-16UN	5/0.197*	18.3/0.720*	6.6/0.260*	19.9/0.783*	3.4/0.134	16.7/0.657	1.8/0.071	15.1/0.594
40	55.5/ 2.185	69.9/2.752	4.3/0.169	M5	1/4-20UNC	65.5/ 2.579	4.0/0.157	37.3/1.469	24.05/0.947	2 5/16-16UNS	5/0.197*	18.3/0.720*	6.6/0.260*	19.9/0.783*	3.4/0.134	16.7/0.657	1.8/0.071	15.1/0.594

DIMENSIONS IN ITALIC ARE INCHES.

* CONSULT FACTORY
** ±0.020

WALL MOUNT RECEPTACLE, REAR PANEL MOUNT

038A*/038R*

MOUNTING HOLE OPTION

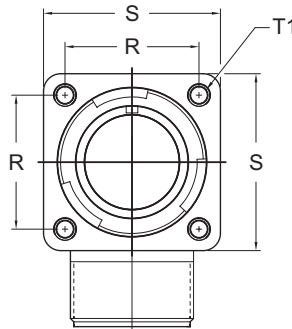


THREADED

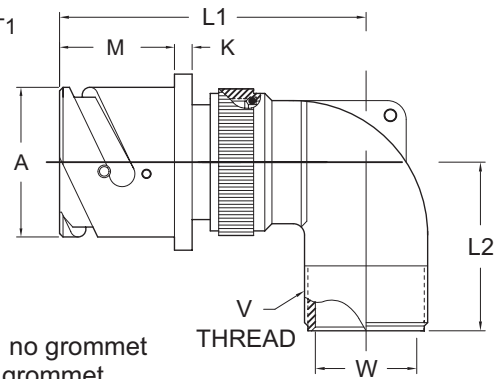
MOUNTING HOLE CODES

CODE	MOUNTING HOLE TYPE
FP	Thru holes
None	Metric thread - Standard
UN	UNC thread

FRONT VIEW



SIDE VIEW



SCPB038A* Non-environmental, no grommet
 SCPB038R* Environmental with grommet

SHELL SIZE	FRONT VIEW				SIDE VIEW							
	R	S	T1	T2		A	K	L1	L2	M	V	W
	$\pm 0.1 \pm .004$	$\pm 0.3 \pm .012$	$+0.1 \pm .004$ $-0.0 \pm .000$ STYLE FP	THREAD		$+0.00 \pm .000$ $-0.15 \pm .006$	$\pm 0.2 \pm .008$	MAX	MAX	$+0.4 \pm .016$ $-0.0 \pm .000$	THREAD CLASS 2A	MIN
			METRIC	UNC								
10SL	18.2/0.717	25.4/1.000	3.2/0.126	M4	8-32UNC	18.2/0.717	2.8/0.110	45/1.772	30/1.181	18.20/0.717	5/8-24 UNEF	8.5/0.335
14S	23.0/0.906	30.0/1.181	3.2/0.126	M4	8-32UNC	24.6/0.969	3.2/0.126	47/1.850	30/1.181	18.20/0.717	3/4-20 UNEF	12.0/0.472
16S	24.6/0.969	32.5/1.280	3.2/0.126	M4	8-32UNC	27.4/1.079	3.2/0.126	48/1.890	30/1.181	18.20/0.717	7/8-20 UNEF	14.5/0.571
16	24.6/0.969	32.5/1.280	3.2/0.126	M4	8-32UNC	27.4/1.079	3.2/0.126	57/2.244	30/1.181	23.05/0.907	7/8-20 UNEF	14.5/0.571
18	27.0/1.063	35.0/1.378	3.2/0.126	M4	8-32UNC	30.8/1.213	4.0/0.157	58/2.283	35/1.378	23.05/0.907	1-20 UNEF	17.5/0.689
20	29.4/1.157	38.0/1.496	3.2/0.126	M4	8-32UNC	34.2/1.346	4.0/0.157	61/2.402	35/1.378	23.05/0.907	1 3/16-18 UNEF	19.5/0.768
22	31.8/1.252	41.0/1.614	3.2/0.126	M4	8-32UNC	37.4/1.472	4.0/0.157	61/2.402	35/1.378	23.05/0.907	1 3/16-18 UNEF	22.0/0.866
24	34.9/1.374	44.5/1.752	3.7/0.146	M4	10-24UNC	40.9/1.610	4.0/0.157	66/2.598	40/1.575	23.05/0.907	1 7/16-18 UNEF	25.0/0.984
28	39.7/1.563	50.8/2.000	3.7/0.146	M5	10-24UNC	46.7/1.839	4.0/0.157	66/2.598	40/1.575	24.05/0.947	1 7/16-18 UNEF	29.0/1.142
32	44.5/1.752	57.0/2.244	4.3/0.169	M5	1/4-20UNC	53.4/2.102	4.0/0.157	72/2.835	45/1.772	24.05/0.947	1 3/4-18 UNS	34.0/1.339
36	49.2/1.937	63.5/2.500	4.3/0.169	M5	1/4-20UNC	59.6/2.346	4.0/0.157	75/2.953	50/1.969	24.05/0.947	2-18 UNS	38.5/1.516
40	55.5/2.185	69.9/2.752	4.3/0.169	M5	1/4-20UNC	65.5/2.579	4.0/0.157	78/3.071	55/2.165	24.05/0.947	2 1/4-16 UN	48.0/1.890

DIMENSIONS IN ITALIC ARE INCHES.

MOUNTING HOLE OPTION

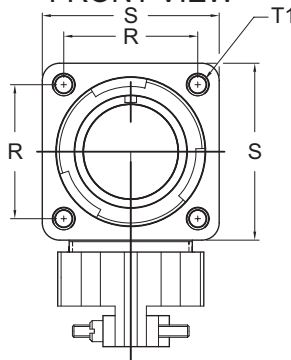


THREADED

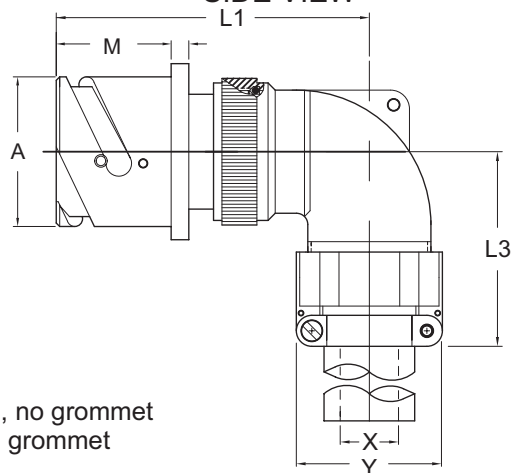
MOUNTING HOLE CODES

CODE	MOUNTING HOLE TYPE
FP	Thru holes
None	Metric thread - Standard
UN	UNC thread

FRONT VIEW



SIDE VIEW



SCPB038AF* Non-environmental, no grommet
 SCPB038F* Environmental with grommet

SHELL SIZE	FRONT VIEW				SIDE VIEW							
	R	S	T1	T2		A	K	L1	L3	M	X	Y
	$\pm 0.1 \pm .004$	$\pm 0.3 \pm .012$	$+0.1 \pm .004$ $-0.0 \pm .000$ STYLE FP	THREAD		$+0.00 \pm .000$ $-0.15 \pm .006$	$\pm 0.2 \pm .008$	MAX	MAX	$+0.4 \pm .016$ $-0.0 \pm .000$	MIN	MAX
			METRIC	UNC								
10SL	18.2/0.717	25.4/1.000	3.2/0.126	M4	8-32UNC	18.2/0.717	2.8/0.110	45/1.772	42/1.654	18.20/0.717	6.5/0.256	22.7/0.894
14S	23.0/0.906	30.0/1.181	3.2/0.126	M4	8-32UNC	24.6/0.969	3.2/0.126	47/1.850	42/1.654	18.20/0.717	9.0/0.354	27.5/1.083
16S	24.6/0.969	32.5/1.280	3.2/0.126	M4	8-32UNC	27.4/1.079	3.2/0.126	48/1.890	45/1.772	18.20/0.717	11.0/0.433	30.0/1.181
16	24.6/0.969	32.5/1.280	3.2/0.126	M4	8-32UNC	27.4/1.079	3.2/0.126	57/2.244	45/1.772	23.05/0.907	11.0/0.433	30.0/1.181
18	27.0/1.063	35.0/1.378	3.2/0.126	M4	8-32UNC	30.8/1.213	4.0/0.157	58/2.283	53/2.087	23.05/0.907	14.2/0.559	32.2/1.268
20	29.4/1.157	38.0/1.496	3.2/0.126	M4	8-32UNC	34.2/1.346	4.0/0.157	61/2.402	53/2.087	23.05/0.907	15.8/0.622	37.5/1.476
22	31.8/1.252	41.0/1.614	3.2/0.126	M4	8-32UNC	37.4/1.472	4.0/0.157	61/2.402	53/2.087	23.05/0.907	15.8/0.622	37.5/1.476
24	34.9/1.374	44.5/1.752	3.7/0.146	M4	10-24UNC	40.9/1.610	4.0/0.157	66/2.598	58/2.283	23.05/0.907	21.4/0.843	43.3/1.705
28	39.7/1.563	50.8/2.000	3.7/0.146	M5	10-24UNC	46.7/1.839	4.0/0.157	66/2.598	58/2.283	24.05/0.947	21.4/0.843	43.3/1.705
32	44.5/1.752	57.0/2.244	4.3/0.169	M5	1/4-20UNC	53.4/2.102	4.0/0.157	72/2.835	66/2.598	24.05/0.947	26.7/1.051	51.7/2.035
36	49.2/1.937	63.5/2.500	4.3/0.169	M5	1/4-20UNC	59.6/2.346	4.0/0.157	75/2.953	69/2.717	24.05/0.947	31.7/1.248	58.0/2.283
40	55.5/2.185	69.9/2.752	4.3/0.169	M5	1/4-20UNC	65.5/2.579	4.0/0.157	78/3.071	95/3.740	24.05/0.947	34.9/1.374	65.5/2.579

DIMENSIONS IN ITALIC ARE INCHES.

WALL MOUNT RECEPTACLE, REAR PANEL MOUNT

038CF*/038CFZ*

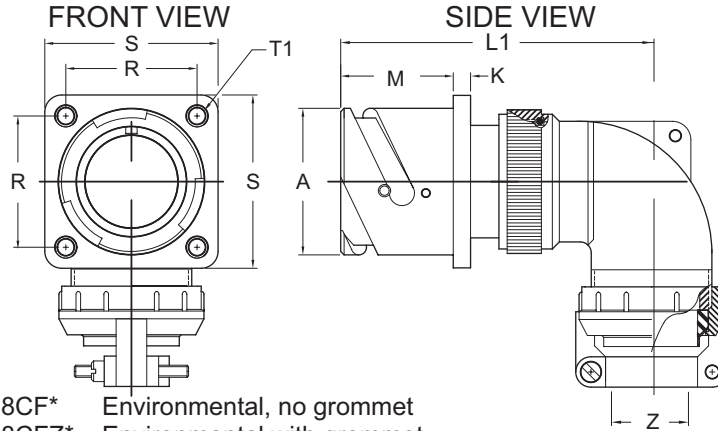
MOUNTING HOLE OPTION



THREADED

MOUNTING HOLE CODES

CODE	MOUNTING HOLE TYPE
FP	Thru holes
None	Metric thread - Standard
UN	UNC thread



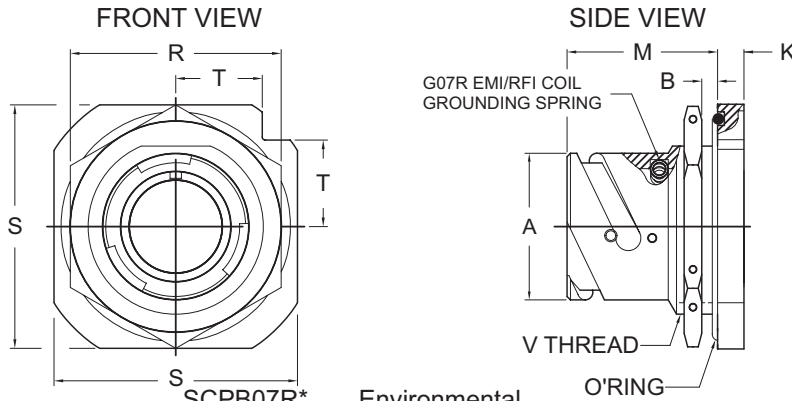
SCP038CF* Environmental, no grommet
SCP038CFZ* Environmental with grommet

SHELL SIZE	FRONT VIEW					SIDE VIEW					
	R ±0.1/ ±0.04	S ±0.3/ ±0.12	T1 +0.1/ +0.04 -0.0/ -0.000 STYLE FP	T2 THREAD		A +0.00/ +.000 -0.15/ -.006	K ±0.2±.008	L1 MAX	M +0.4/ +.016 -0.0/ -.000	Z	
				METRIC	UNC					OPEN	CLOSED
10SL	18.2/0.717	25.4/1.000	3.2/0.126	M4	8-32UNC	18.2/0.717	2.8/0.110	45/ 1.772	18.20/0.717	7.93/ 0.312	2.38/0.094
14S	23.0/0.906	30.0/1.181	3.2/0.126	M4	8-32UNC	24.6/0.969	3.2/0.126	47/ 1.850	18.20/0.717	11.12/0.438	5.84/0.230
16S	24.6/0.969	32.5/1.280	3.2/0.126	M4	8-32UNC	27.4/1.079	3.2/0.126	48/ 1.890	18.20/0.717	13.48/0.531	8.0/ 0.315
16	24.6/0.969	32.5/1.280	3.2/0.126	M4	8-32UNC	27.4/1.079	3.2/0.126	57/ 2.244	23.05/0.907	13.48/0.531	8.0/ 0.315
18	27.0/1.063	35.0/1.378	3.2/0.126	M4	8-32UNC	30.8/1.213	4.0/0.157	58/ 2.283	23.05/0.907	15.87/0.625	9.6/ 0.378
20	29.4/1.157	38.0/1.496	3.2/0.126	M4	8-32UNC	34.2/1.346	4.0/0.157	61/ 2.402	23.05/0.907	19.00/0.748	11.3/ 0.445
22	31.8/1.252	41.0/1.614	3.2/0.126	M4	8-32UNC	37.4/1.472	4.0/0.157	61/ 2.402	23.05/0.907	19.00/0.748	11.3/ 0.445
24	34.9/1.374	44.5/1.752	3.7/0.146	M4	10-24UNC	40.9/1.610	4.0/0.157	66/ 2.598	23.05/0.907	23.80/0.937	15.5/0.610
28	39.7/1.563	50.8/2.000	3.7/0.146	M5	10-24UNC	46.7/1.839	4.0/0.157	66/ 2.598	24.05/0.947	23.80/0.937	15.5/0.610
32	44.5/1.752	57.0/2.244	4.3/0.169	M5	1/4-20UNC	53.4/2.102	4.0/0.157	72/ 2.835	24.05/0.947	31.75/1.250	23.4/0.921
36	49.2/1.937	63.5/2.500	4.3/0.169	M5	1/4-20UNC	59.6/2.346	4.0/0.157	75/ 2.953	24.05/0.947	35.00/1.378	23.4/0.921
40	55.5/2.185	69.9/2.752	4.3/0.169	M5	1/4-20UNC	65.5/2.579	4.0/0.157	78/ 3.071	24.05/0.947	41.25/1.624	29.9/1.177

DIMENSIONS IN ITALIC ARE INCHES.

JAM NUT RECEPTACLE

07R*/G07R*



SCP07R* Environmental
SCPBG07R* Environmental with EMI/RFI ground spring

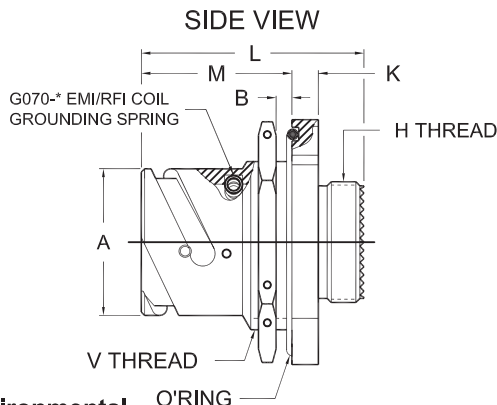
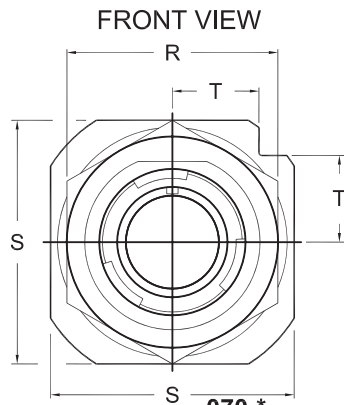
SHELL SIZE	FRONT VIEW			SIDE VIEW					
	R ±0.4/ ±0.16	S ±0.3/ ±0.12	T MAX.	A +0.00/ +.000 -0.15/ -.006	B PANEL THICKNESS		K ±0.2/ ±0.08	M +0.4/ +.016 -0.0/ -.000	V THREAD CLASS 2A
					MIN.	MAX.			
10SL	27.0/1.063	31.8/1.252	11.2/0.441	18.2/0.717	2.4/0.094	5.2/0.205	4.0/0.157	24.5/0.965	7/8-20 UNEF
14S	33.0/1.299	41.3/1.626	14.6/0.575	24.6/0.969	2.4/0.094	7.5/0.295	4.8/0.189	26.8/1.055	1 1/8-18 UNEF
16S	38.1/1.500	44.4/1.748	15.7/0.618	27.4/1.079	2.4/0.094	7.5/0.295	4.8/0.189	26.8/1.055	1 1/4-18 UNEF
16	38.1/1.500	44.4/1.748	15.7/0.618	27.4/1.079	2.4/0.094	7.5/0.295	4.8/0.189	32.1/1.264	1 1/4-18 UNEF
18	39.7/1.563	47.6/1.874	16.8/0.661	30.8/1.213	2.4/0.094	9.0/0.354	4.8/0.189	33.7/1.327	1 3/8-18 UNEF
20	44.0/1.732	50.8/2.000	18.0/0.709	34.2/1.346	2.4/0.094	9.0/0.354	4.8/0.189	33.7/1.327	1 1/2-18 UNEF
22	46.0/1.811	54.2/2.134	20.2/0.795	37.4/1.472	2.4/0.094	9.1/0.358	4.8/0.189	33.7/1.327	1 5/8-18 UNEF
24	50.8/2.000	57.2/2.252	20.2/0.795	40.9/1.610	2.4/0.094	9.1/0.358	4.8/0.189	35.2/1.386	1 3/4-18 UNEF
28	55.0/2.165	63.5/2.500	22.5/0.886	46.7/1.839	2.4/0.094	8.5/0.335	5.6/0.220	35.2/1.386	2-18 UNS
32	62.0/2.441	69.8/2.748	24.7/0.972	53.4/2.102	2.4/0.094	6.5/0.256	5.6/0.220	35.2/1.386	2 1/4-16 UN
36	71.0/2.795	76.2/3.000	26.9/1.059	59.6/2.346	2.4/0.094	8.3/0.327	5.6/0.220	35.2/1.386	2 1/2-16 UN
40	75.0/2.953	83.5/3.287	29.6/1.165	65.5/2.579	2.4/0.094	8.3/0.327	5.6/0.220	35.2/1.386	2 3/4-16 UN

DIMENSIONS IN ITALIC ARE INCHES.

JAM NUT RECEPTACLE

070-*/G070-*

1C



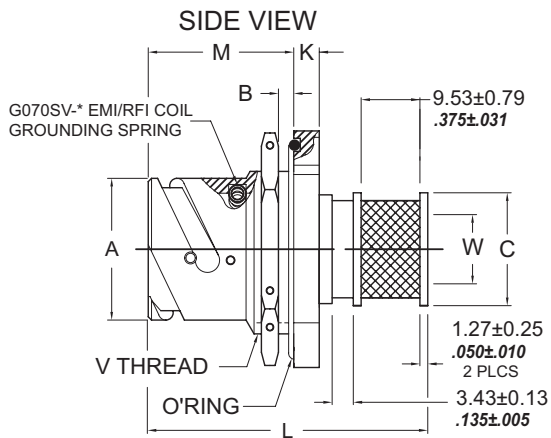
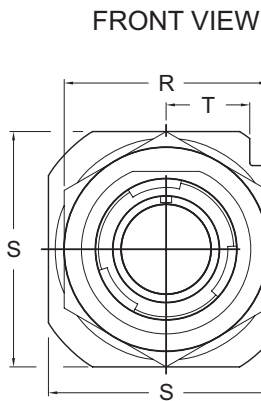
Environmental
Environmental with EMI/RFI ground spring

SHELL SIZE	FRONT VIEW			SIDE VIEW							
	R	S	T	A	B		H	K	L	V	
	$\pm 0.4 / \pm 0.016$	$\pm 0.3 / \pm 0.012$	MAX.	$+0.00 / +.000$ $-0.15 / -.006$	PANEL THICKNESS		THREAD CLASS 2A	$\pm 0.2 / \pm .008$	MAX.	$+0.4 / +.016$ $-0.0 / -.000$	THREAD CLASS 2A
10SL	27.0 / <i>1.063</i>	31.8 / <i>1.252</i>	11.2 / <i>0.441</i>	18.2 / <i>0.717</i>	2.4 / <i>0.094</i>	5.2 / <i>0.205</i>	5/8-24 UNEF	4.0 / <i>0.157</i>	36.2 / <i>1.425</i>	24.5 / <i>0.965</i>	7/8-20 UNEF
14S	33.0 / <i>1.299</i>	41.3 / <i>1.626</i>	14.6 / <i>0.575</i>	24.6 / <i>0.969</i>	2.4 / <i>0.094</i>	7.5 / <i>0.295</i>	3/4-20 UNEF	4.8 / <i>0.189</i>	38.9 / <i>1.531</i>	26.8 / <i>1.055</i>	1 1/8-18 UNEF
16S	38.1 / <i>1.500</i>	44.4 / <i>1.748</i>	15.7 / <i>0.618</i>	27.4 / <i>1.079</i>	2.4 / <i>0.094</i>	7.5 / <i>0.295</i>	7/8-20 UNEF	4.8 / <i>0.189</i>	38.9 / <i>1.531</i>	26.8 / <i>1.055</i>	1 1/4-18 UNEF
16	38.1 / <i>1.500</i>	44.4 / <i>1.748</i>	15.7 / <i>0.618</i>	27.4 / <i>1.079</i>	2.4 / <i>0.094</i>	7.5 / <i>0.295</i>	7/8-20 UNEF	4.8 / <i>0.189</i>	48.5 / <i>1.909</i>	32.1 / <i>1.264</i>	1 1/4-18 UNEF
18	39.7 / <i>1.563</i>	47.6 / <i>1.874</i>	16.8 / <i>0.661</i>	30.8 / <i>1.213</i>	2.4 / <i>0.094</i>	9.0 / <i>0.354</i>	1-20 UNEF	4.8 / <i>0.189</i>	47.7 / <i>1.878</i>	33.7 / <i>1.327</i>	1 3/8-18 UNEF
20	44.0 / <i>1.732</i>	50.8 / <i>2.000</i>	18.0 / <i>0.709</i>	34.2 / <i>1.346</i>	2.4 / <i>0.094</i>	9.0 / <i>0.354</i>	1 1/8-18 UNEF	4.8 / <i>0.189</i>	49.3 / <i>1.941</i>	33.7 / <i>1.327</i>	1 1/2-18 UNEF
22	46.0 / <i>1.811</i>	57.2 / <i>2.252</i>	20.2 / <i>0.795</i>	37.4 / <i>1.472</i>	2.4 / <i>0.094</i>	9.1 / <i>0.358</i>	1 1/4-18 UNEF	4.8 / <i>0.189</i>	49.3 / <i>1.941</i>	33.7 / <i>1.327</i>	1 5/8-18 UNEF
24	50.8 / <i>2.000</i>	57.2 / <i>2.252</i>	20.2 / <i>0.795</i>	40.9 / <i>1.610</i>	2.4 / <i>0.094</i>	9.1 / <i>0.358</i>	1 3/8-18 UNEF	4.8 / <i>0.189</i>	49.6 / <i>1.953</i>	33.7 / <i>1.327</i>	1 3/4-18 UNEF
28	55.0 / <i>2.165</i>	63.5 / <i>2.500</i>	22.5 / <i>0.886</i>	46.7 / <i>1.839</i>	2.4 / <i>0.094</i>	8.5 / <i>0.335</i>	1 5/8-18 UNEF	5.6 / <i>0.220</i>	51.3 / <i>2.020</i>	35.2 / <i>1.386</i>	2-18 UNS
32	62.0 / <i>2.441</i>	69.8 / <i>2.748</i>	24.7 / <i>0.972</i>	53.4 / <i>2.102</i>	2.4 / <i>0.094</i>	6.5 / <i>0.256</i>	1 7/8-16 UN	5.6 / <i>0.220</i>	51.3 / <i>2.020</i>	35.2 / <i>1.386</i>	2 1/4-16 UN
36	71.0 / <i>2.795</i>	76.2 / <i>3.000</i>	26.9 / <i>1.059</i>	59.6 / <i>2.346</i>	2.4 / <i>0.094</i>	8.3 / <i>0.327</i>	2 1/16-16 UN	5.6 / <i>0.220</i>	51.3 / <i>2.020</i>	35.2 / <i>1.386</i>	2 1/2-16 UN
40	75.0 / <i>2.953</i>	83.5 / <i>3.287</i>	29.6 / <i>1.165</i>	65.5 / <i>2.579</i>	2.4 / <i>0.094</i>	8.3 / <i>0.327</i>	2 5/16-16 UNS	5.6 / <i>0.220</i>	51.2 / <i>2.016</i>	35.2 / <i>1.386</i>	2 3/4-16 UN

DIMENSIONS IN ITALIC ARE INCHES.

CS215

070SV*/G070SV*



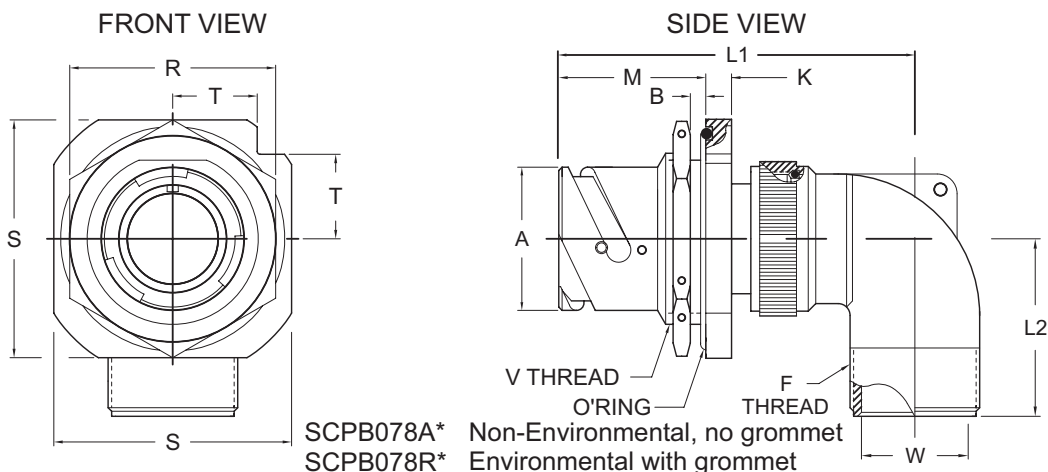
SCPB070SV* Environmental
SCPBG070SV* Environmental with EMI/RFI ground spring

SHELL SIZE	FRONT VIEW			SIDE VIEW								
	R	S	T	A	B		C	K	L	M	V	W
	$\pm 0.4 / \pm 0.016$	$\pm 0.3 / \pm 0.012$	MAX.	$+0.00 / +.000$ $-0.15 / -.006$	PANEL THICKNESS		MAX.	$\pm 0.2 / \pm .008$	MAX.	$+0.4 / +.016$ $-0.0 / -.000$	THREAD CLASS 2A	MIN
10SL	27.0 / <i>1.063</i>	31.8 / <i>1.252</i>	11.2 / <i>0.441</i>	18.2 / <i>0.717</i>	2.4 / <i>0.094</i>	5.2 / <i>0.205</i>	16.1 / <i>0.632</i>	4.0 / <i>0.157</i>	41.3 / <i>1.625</i>	24.5 / <i>0.965</i>	7/8-20 UNEF	12.1 / <i>0.475</i>
14S	33.0 / <i>1.299</i>	41.3 / <i>1.626</i>	14.6 / <i>0.575</i>	24.6 / <i>0.969</i>	2.4 / <i>0.094</i>	7.5 / <i>0.295</i>	19.2 / <i>0.755</i>	4.8 / <i>0.189</i>	44.1 / <i>1.735</i>	26.8 / <i>1.055</i>	1 1/8-18 UNEF	15.4 / <i>0.605</i>
16S	38.1 / <i>1.500</i>	44.4 / <i>1.748</i>	15.7 / <i>0.618</i>	27.4 / <i>1.079</i>	2.4 / <i>0.094</i>	7.5 / <i>0.295</i>	22.4 / <i>0.880</i>	4.8 / <i>0.189</i>	44.1 / <i>1.735</i>	26.8 / <i>1.055</i>	1 1/4-18 UNEF	18.7 / <i>0.735</i>
16	38.1 / <i>1.500</i>	44.4 / <i>1.748</i>	15.7 / <i>0.618</i>	27.4 / <i>1.079</i>	2.4 / <i>0.094</i>	7.5 / <i>0.295</i>	22.4 / <i>0.880</i>	4.8 / <i>0.189</i>	52.3 / <i>2.060</i>	32.1 / <i>1.264</i>	1 1/4-18 UNEF	18.7 / <i>0.735</i>
18	39.7 / <i>1.563</i>	47.6 / <i>1.874</i>	16.8 / <i>0.661</i>	30.8 / <i>1.213</i>	2.4 / <i>0.094</i>	9.0 / <i>0.354</i>	25.5 / <i>1.005</i>	4.8 / <i>0.189</i>	53.8 / <i>2.120</i>	33.7 / <i>1.327</i>	1 3/8-18 UNEF	21.9 / <i>0.860</i>
20	44.0 / <i>1.732</i>	50.8 / <i>2.000</i>	18.0 / <i>0.709</i>	34.2 / <i>1.346</i>	2.4 / <i>0.094</i>	9.0 / <i>0.354</i>	28.7 / <i>1.130</i>	4.8 / <i>0.189</i>	53.8 / <i>2.120</i>	33.7 / <i>1.327</i>	1 1/2-18 UNEF	24.8 / <i>0.975</i>
22	46.0 / <i>1.811</i>	57.2 / <i>2.252</i>	20.2 / <i>0.795</i>	37.4 / <i>1.472</i>	2.4 / <i>0.094</i>	9.1 / <i>0.358</i>	31.9 / <i>1.255</i>	4.8 / <i>0.189</i>	53.8 / <i>2.120</i>	33.7 / <i>1.327</i>	1 5/8-18 UNEF	28.1 / <i>1.105</i>
24	50.8 / <i>2.000</i>	57.2 / <i>2.252</i>	20.2 / <i>0.795</i>	40.9 / <i>1.610</i>	2.4 / <i>0.094</i>	9.1 / <i>0.358</i>	35.1 / <i>1.380</i>	4.8 / <i>0.189</i>	53.8 / <i>2.120</i>	33.7 / <i>1.327</i>	1 3/4-18 UNEF	31.2 / <i>1.230</i>
28	55.0 / <i>2.165</i>	63.5 / <i>2.500</i>	22.5 / <i>0.886</i>	46.7 / <i>1.839</i>	2.4 / <i>0.094</i>	8.5 / <i>0.335</i>	41.4 / <i>1.630</i>	5.6 / <i>0.220</i>	56.1 / <i>2.210</i>	35.2 / <i>1.386</i>	2-18 UNS	35.9 / <i>1.415</i>
32	62.0 / <i>2.441</i>	69.8 / <i>2.748</i>	24.7 / <i>0.972</i>	53.4 / <i>2.102</i>	2.4 / <i>0.094</i>	6.5 / <i>0.256</i>	47.8 / <i>1.880</i>	5.6 / <i>0.220</i>	56.1 / <i>2.210</i>	35.2 / <i>1.386</i>	2 1/4-16 UN	43.1 / <i>1.695</i>
36	71.0 / <i>2.795</i>	76.2 / <i>3.000</i>	26.9 / <i>1.059</i>	59.6 / <i>2.346</i>	2.4 / <i>0.094</i>	8.3 / <i>0.327</i>	52.5 / <i>2.067</i>	5.6 / <i>0.220</i>	56.1 / <i>2.210</i>	35.2 / <i>1.386</i>	2 1/2-16 UN	48.0 / <i>1.890</i>
40	75.0 / <i>2.953</i>	83.5 / <i>3.287</i>	29.6 / <i>1.165</i>	65.5 / <i>2.579</i>	2.4 / <i>0.094</i>	8.3 / <i>0.327</i>	58.9 / <i>2.317</i>	5.6 / <i>0.220</i>	56.1 / <i>2.210</i>	35.2 / <i>1.386</i>	2 3/4-16 UN	53.8 / <i>2.120</i>

DIMENSIONS IN ITALIC ARE INCHES.

90° JAM NUT RECEPTACLE

078A*/078R*

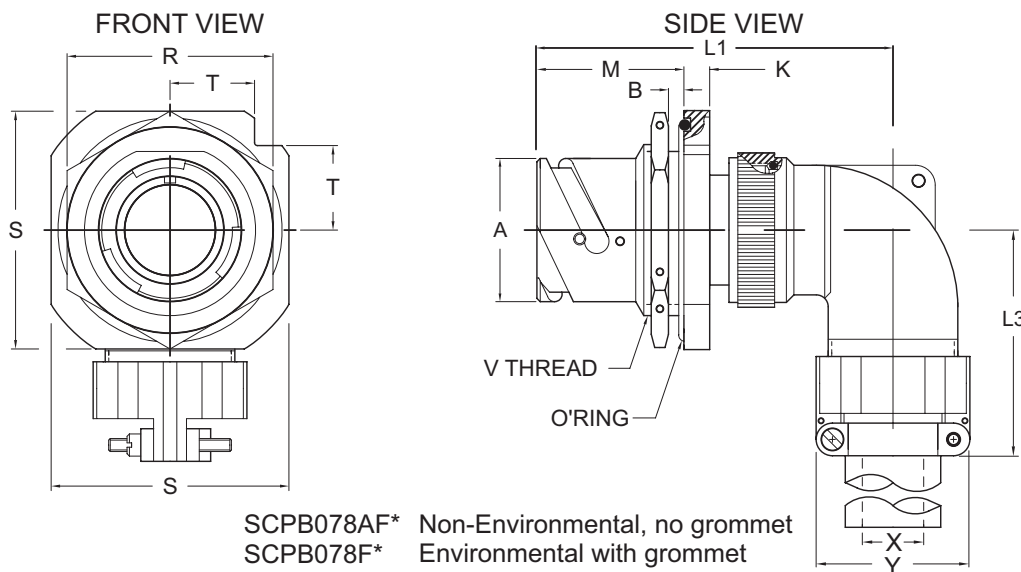


SCPB078A* Non-Environmental, no grommet
SCPB078R* Environmental with grommet

SHELL SIZE	FRONT VIEW			SIDE VIEW									
	R	S	T	A	B		F	K	L1	L2	M	V	W
	±0.4/±0.016	±0.3/±0.012	MAX.	+0.00/+0.000 -0.15/-0.006	PANEL THICKNESS		THREAD CLASS 2A	±0.2/±0.008	MAX.	MAX.	+0.4/+0.016 -0.0/-0.000	THREAD CLASS 2A	MIN
				MIN.	MAX.								
10SL	27.0/1.063	31.8/1.252	11.2/0.441	18.2/0.717	2.4/0.094	5.2/0.205	5/8-24 UNEF	4.0/0.157	50.0/1.968	25.0/0.984	24.5/0.965	7/8-20 UNEF	8.5/0.335
14S	33.0/1.299	41.3/1.626	14.6/0.575	24.6/0.969	2.4/0.094	7.5/0.295	3/4-20 UNEF	4.8/0.189	55.0/2.165	26.5/1.043	26.8/1.055	1 1/8-18 UNEF	12.0/0.472
16S	38.1/1.500	44.4/1.748	15.7/0.618	27.4/1.079	2.4/0.094	7.5/0.295	7/8-20 UNEF	4.8/0.189	58.0/2.283	27.0/1.063	26.8/1.055	1 1/4-18 UNEF	14.5/0.571
16	38.1/1.500	44.4/1.748	15.7/0.618	27.4/1.079	2.4/0.094	7.5/0.295	7/8-20 UNEF	4.8/0.189	68.0/2.677	27.0/1.063	32.1/1.264	1 1/4-18 UNEF	14.5/0.571
18	39.7/1.563	47.6/1.874	16.8/0.661	30.8/1.213	2.4/0.094	9.0/0.354	1-20 UNEF	4.8/0.189	70.0/2.756	30.0/1.181	33.7/1.327	1 3/8-18 UNEF	17.5/0.689
20	44.0/1.732	50.8/2.000	18.0/0.709	34.2/1.346	2.4/0.094	9.0/0.354	1 3/16-18 UNEF	4.8/0.189	75.0/2.953	32.0/1.260	33.7/1.327	1 1/2-18 UNEF	19.5/0.768
22	46.0/1.811	57.2/2.252	20.2/0.795	37.4/1.472	2.4/0.094	9.1/0.358	1 3/16-18 UNEF	4.8/0.189	75.0/2.953	32.0/1.260	33.7/1.327	1 5/8-18 UNEF	22.0/0.866
24	50.8/2.000	57.2/2.252	20.2/0.795	40.9/1.610	2.4/0.094	9.1/0.358	1 7/16-18 UNEF	4.8/0.189	79.0/3.110	37.0/1.457	33.7/1.327	1 3/4-18 UNEF	25.0/0.984
28	55.0/2.165	63.5/2.500	22.5/0.886	46.7/1.839	2.4/0.094	8.5/0.335	1 7/16-18 UNEF	5.6/0.220	81.0/3.189	38.0/1.496	35.2/1.386	2-18 UNS	29.0/1.142
32	62.0/2.441	69.8/2.748	24.7/0.972	53.4/2.102	2.4/0.094	6.5/0.256	1 3/4-18 UNS	5.6/0.220	85.0/3.346	45.5/1.791	35.2/1.386	2 1/4-16 UN	34.0/1.339
36	71.0/2.795	76.2/3.000	26.9/1.059	59.6/2.346	2.4/0.094	8.3/0.327	2-18 UNS	5.6/0.220	88.0/3.465	47.2/1.858	35.2/1.386	2 1/2-16 UN	38.5/1.516
40	75.0/2.953	83.5/3.287	29.6/1.165	65.5/2.579	2.4/0.094	8.3/0.327	2 1/4-16 UN	5.6/0.220	91.0/3.583	52.0/2.047	35.2/1.386	2 3/4-16 UN	48.0/1.890

DIMENSIONS IN ITALIC ARE INCHES.

078AF*/078F*



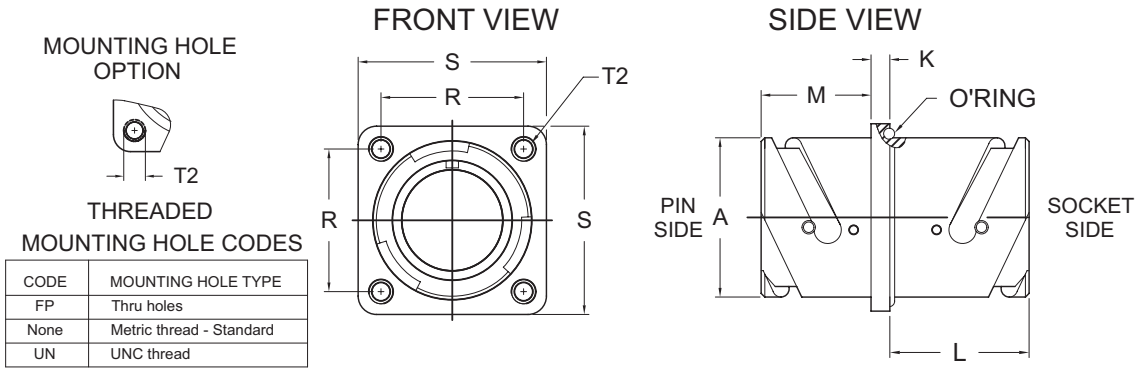
SCPB078AF* Non-Environmental, no grommet
SCPB078F* Environmental with grommet

SHELL SIZE	FRONT VIEW			SIDE VIEW									
	R	S	T	A	B		K	L1	L3	M	V	X	Y
	±0.4/±0.016	±0.3/±0.012	MAX.	+0.00/+0.000 -0.15/-0.006	PANEL THICKNESS		±0.2/±0.008	MAX	MAX	+0.4/+0.016 -0.0/-0.000	THREAD CLASS 2A	MIN	MAX
				MIN.	MAX.								
10SL	27.0/1.063	31.8/1.252	11.2/0.441	18.2/0.717	2.4/0.094	5.2/0.205	4.0/0.157	45/1.772	42/1.654	24.5/0.965	7/8-20 UNEF	6.5/0.256	22.7/0.894
14S	33.0/1.299	41.3/1.626	14.6/0.575	24.6/0.969	2.4/0.094	7.5/0.295	4.8/0.189	47/1.850	42/1.654	26.8/1.055	1 1/8-18 UNEF	9.0/0.354	27.5/1.083
16S	38.1/1.500	44.4/1.748	15.7/0.618	27.4/1.079	2.4/0.094	7.5/0.295	4.8/0.189	48/1.890	45/1.772	26.8/1.055	1 1/4-18 UNEF	11.0/0.433	30.0/1.181
16	38.1/1.500	44.4/1.748	15.7/0.618	27.4/1.079	2.4/0.094	7.5/0.295	4.8/0.189	57/2.244	45/1.772	32.1/1.264	1 1/4-18 UNEF	11.0/0.433	30.0/1.181
18	39.7/1.563	47.6/1.874	16.8/0.661	30.8/1.213	2.4/0.094	9.0/0.354	4.8/0.189	58/2.283	53/2.087	33.7/1.327	1 3/8-18 UNEF	14.2/0.559	32.2/1.268
20	44.0/1.732	50.8/2.000	18.0/0.709	34.2/1.346	2.4/0.094	9.0/0.354	4.8/0.189	61/2.402	53/2.087	33.7/1.327	1 1/2-18 UNEF	15.8/0.622	37.5/1.476
22	46.0/1.811	57.2/2.252	20.2/0.795	37.4/1.472	2.4/0.094	9.1/0.358	4.8/0.189	61/2.402	53/2.087	33.7/1.327	1 5/8-18 UNEF	15.8/0.622	37.5/1.476
24	50.8/2.000	57.2/2.252	20.2/0.795	40.9/1.610	2.4/0.094	9.1/0.358	4.8/0.189	66/2.598	58/2.283	33.7/1.327	1 3/4-18 UNEF	21.4/0.843	43.3/1.705
28	55.0/2.165	63.5/2.500	22.5/0.886	46.7/1.839	2.4/0.094	8.5/0.335	5.6/0.220	66/2.598	58/2.283	35.2/1.386	2-18 UNS	21.4/0.843	43.3/1.705
32	62.0/2.441	69.8/2.748	24.7/0.972	53.4/2.102	2.4/0.094	6.5/0.256	5.6/0.220	72/2.835	66/2.598	35.2/1.386	2 1/4-16 UN	26.7/1.051	51.7/2.035
36	71.0/2.795	76.2/3.000	26.9/1.059	59.6/2.346	2.4/0.094	8.3/0.327	5.6/0.220	75/2.953	69/2.717	35.2/1.386	2 1/2-16 UN	31.7/1.248	58.0/2.283
40	75.0/2.953	83.5/3.287	29.6/1.165	65.5/2.579	2.4/0.094	8.3/0.327	5.6/0.220	78/3.071	95/3.740	35.2/1.386	2 3/4-16 UN	34.9/1.374	65.5/2.579

DIMENSIONS IN ITALIC ARE INCHES.

THRU BULKHEAD RECEPTACLE

TB*



THREADED MOUNTING HOLE CODES

CODE	MOUNTING HOLE TYPE
FP	Thru holes
None	Metric thread - Standard
UN	UNC thread

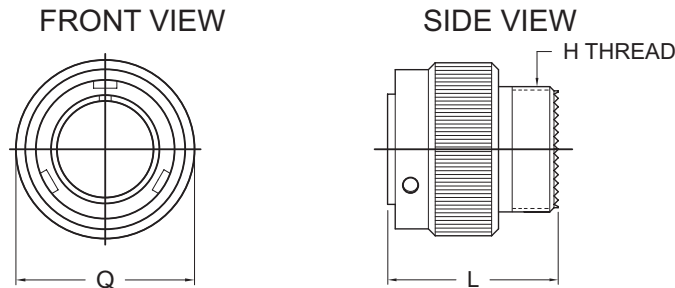
SCPBTB* Environmental

SHELL SIZE	FRONT VIEW					SIDE VIEW			
	R	S	T1	T2		A	K	L	M
	$\pm 0.1 / \pm 0.04$	$\pm 0.3 / \pm 0.12$	$+0.1 / +0.04$ $-0.0 / -0.00$	THREAD		$+0.00 / +0.00$ $-0.15 / -0.06$	$\pm 0.2 / \pm 0.08$	MAX	$+0.4 / +0.16$ $-0.0 / -0.00$
10SL	18.2 / <i>0.717</i>	25.4 / <i>1.000</i>	3.2 / <i>0.126</i>	M4	8-32UNC	18.2 / <i>0.717</i>	2.8 / <i>0.110</i>	20.5 / <i>0.807</i>	14.2 / <i>0.559</i>
14S	23.0 / <i>0.906</i>	30.0 / <i>1.181</i>	3.2 / <i>0.126</i>	M4	8-32UNC	24.6 / <i>0.969</i>	3.2 / <i>0.126</i>	20.1 / <i>0.791</i>	14.2 / <i>0.559</i>
16S	24.6 / <i>0.969</i>	32.5 / <i>1.280</i>	3.2 / <i>0.126</i>	M4	8-32UNC	27.4 / <i>1.079</i>	3.2 / <i>0.126</i>	20.1 / <i>0.791</i>	14.2 / <i>0.559</i>
16	24.6 / <i>0.969</i>	32.5 / <i>1.280</i>	3.2 / <i>0.126</i>	M4	8-32UNC	27.4 / <i>1.079</i>	3.2 / <i>0.126</i>	29.2 / <i>1.150</i>	19.0 / <i>0.748</i>
18	27.0 / <i>1.063</i>	35.0 / <i>1.378</i>	3.2 / <i>0.126</i>	M4	8-32UNC	30.8 / <i>1.213</i>	4.0 / <i>0.157</i>	28.4 / <i>1.118</i>	19.0 / <i>0.748</i>
20	29.4 / <i>1.157</i>	38.0 / <i>1.496</i>	3.2 / <i>0.126</i>	M4	8-32UNC	34.2 / <i>1.346</i>	4.0 / <i>0.157</i>	28.4 / <i>1.118</i>	19.0 / <i>0.748</i>
22	31.8 / <i>1.252</i>	41.0 / <i>1.614</i>	3.2 / <i>0.126</i>	M4	8-32UNC	37.4 / <i>1.472</i>	4.0 / <i>0.157</i>	28.4 / <i>1.118</i>	19.0 / <i>0.748</i>
24	34.9 / <i>1.374</i>	44.5 / <i>1.752</i>	3.7 / <i>0.146</i>	M4	10-24UNC	40.9 / <i>1.610</i>	4.0 / <i>0.157</i>	26.8 / <i>1.055</i>	20.6 / <i>0.811</i>
28	39.7 / <i>1.563</i>	50.8 / <i>2.000</i>	3.7 / <i>0.146</i>	M5	10-24UNC	46.7 / <i>1.839</i>	4.0 / <i>0.157</i>	26.8 / <i>1.055</i>	20.6 / <i>0.811</i>
32	44.5 / <i>1.752</i>	57.0 / <i>2.244</i>	4.3 / <i>0.169</i>	M5	1/4-20UNC	53.4 / <i>2.102</i>	4.0 / <i>0.157</i>	25.2 / <i>0.992</i>	22.2 / <i>0.874</i>
36	49.2 / <i>1.937</i>	63.5 / <i>2.500</i>	4.3 / <i>0.169</i>	M5	1/4-20UNC	59.6 / <i>2.346</i>	4.0 / <i>0.157</i>	25.2 / <i>0.992</i>	22.2 / <i>0.874</i>
40	55.5 / <i>2.185</i>	69.8 / <i>2.748</i>	4.3 / <i>0.169</i>	M5	1/4-20UNC	65.5 / <i>2.579</i>	4.0 / <i>0.157</i>	25.2 / <i>0.992</i>	22.2 / <i>0.874</i>

DIMENSIONS IN ITALIC ARE INCHES.

STRAIGHT PLUG

06-*



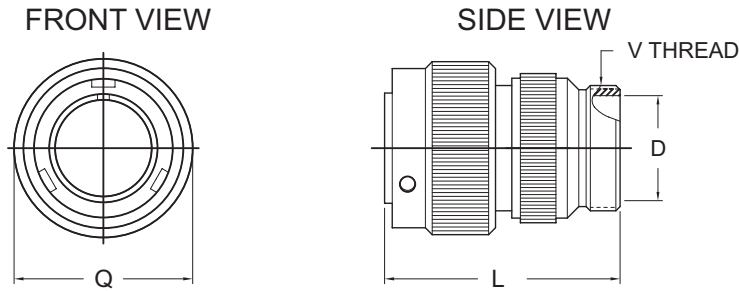
SCPBO6-* Non-environmental

SHELL SIZE	FRONT VIEW	SIDE VIEW	
	Q MAX	H THREAD CLASS 2A	L $\pm 0.3 / \pm 0.12$
10SL	22.8 / <i>0.898</i>	5/8-24 UNEF	24.7 / <i>0.972</i>
14S	29.2 / <i>1.150</i>	3/4-20 UNEF	24.7 / <i>0.972</i>
16S	33.0 / <i>1.299</i>	7/8-20 UNEF	24.7 / <i>0.972</i>
16	33.0 / <i>1.299</i>	7/8-20 UNEF	33.8 / <i>1.331</i>
18	36.5 / <i>1.437</i>	1-20 UNEF	33.8 / <i>1.331</i>
20	39.9 / <i>1.571</i>	1 1/8-18 UNEF	33.8 / <i>1.331</i>
22	43.1 / <i>1.697</i>	1 1/4-18 UNEF	33.8 / <i>1.331</i>
24	46.6 / <i>1.835</i>	1 3/8-18 UNEF	35.7 / <i>1.406</i>
28	53.4 / <i>2.102</i>	1 5/8-18 UNEF	35.7 / <i>1.406</i>
32	60.1 / <i>2.366</i>	1 7/8-16 UN	37.3 / <i>1.469</i>
36	66.3 / <i>2.610</i>	2 1/16-16 UN	37.3 / <i>1.469</i>
40	72.4 / <i>2.850</i>	2 5/16-16 UNS	37.3 / <i>1.469</i>

DIMENSIONS IN ITALIC ARE INCHES.

STRAIGHT PLUG

06A*/06R*

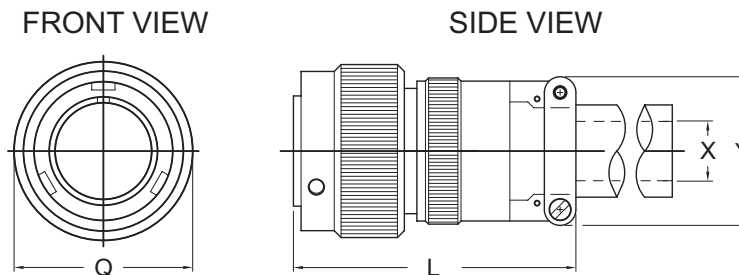


SCPBO6A* Non-environmental, no grommet
SCPBO6R* Environmental with grommet

SHELL SIZE	FRONT VIEW	SIDE VIEW		
	Q MAX	D MIN.	L MAX.	V THREAD CLASS 2A
10SL	22.8 / <i>0.898</i>	8.2 / <i>0.323</i>	47 / <i>1.850</i>	5/8-24 UNEF
14S	29.2 / <i>1.150</i>	11.1 / <i>0.437</i>	47 / <i>1.850</i>	3/4-20 UNEF
16S	33.0 / <i>1.299</i>	14.3 / <i>0.563</i>	47 / <i>1.850</i>	7/8-20 UNEF
16	33.0 / <i>1.299</i>	14.3 / <i>0.563</i>	58 / <i>2.283</i>	7/8-20 UNEF
18	36.5 / <i>1.437</i>	16.7 / <i>0.657</i>	58 / <i>2.283</i>	1-20 UNEF
20	39.9 / <i>1.571</i>	19.8 / <i>0.780</i>	58 / <i>2.283</i>	1 3/16-18 UNEF
22	43.1 / <i>1.697</i>	19.8 / <i>0.780</i>	59 / <i>2.323</i>	1 3/16-18 UNEF
24	46.6 / <i>1.835</i>	25.4 / <i>1.000</i>	61 / <i>2.402</i>	1 7/16-18 UNEF
28	53.4 / <i>2.102</i>	27.0 / <i>1.063</i>	67 / <i>2.638</i>	1 7/16-18 UNEF
32	60.1 / <i>2.366</i>	32.5 / <i>1.280</i>	71 / <i>2.795</i>	1 3/4-18 UNS
36	66.3 / <i>2.610</i>	35.7 / <i>1.406</i>	71 / <i>2.795</i>	2-18 UNS
40	72.4 / <i>2.850</i>	45.0 / <i>1.772</i>	86 / <i>3.386</i>	2 1/4-16 UN

DIMENSIONS IN ITALIC ARE INCHES.

06AE*/06E*



SCPBO6AE* Non-environmental, no grommet
SCPBO6E* Environmental with grommet

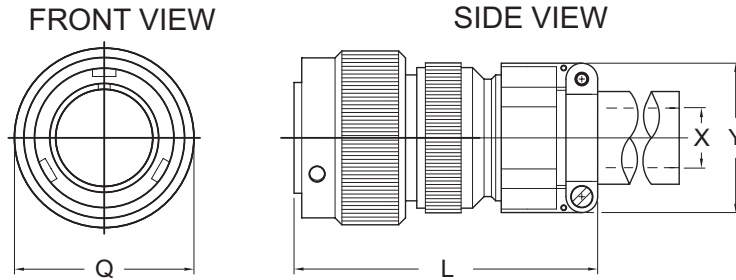
SHELL SIZE	FRONT VIEW	SIDE VIEW		
	Q MAX	L MAX	X MIN	Y MAX
10SL	22.8 / <i>0.898</i>	64 / <i>2.520</i>	6.5 / <i>0.256</i>	22.7 / <i>0.894</i>
14S	29.2 / <i>1.150</i>	69 / <i>2.717</i>	9.0 / <i>0.354</i>	27.5 / <i>1.083</i>
16S	33.0 / <i>1.299</i>	71 / <i>2.795</i>	11.0 / <i>0.433</i>	30.0 / <i>1.181</i>
16	33.0 / <i>1.299</i>	82 / <i>3.228</i>	11.0 / <i>0.433</i>	30.0 / <i>1.181</i>
18	36.5 / <i>1.437</i>	82 / <i>3.228</i>	14.2 / <i>0.559</i>	32.2 / <i>1.268</i>
20	39.9 / <i>1.571</i>	82 / <i>3.228</i>	15.8 / <i>0.622</i>	37.5 / <i>1.476</i>
22	43.1 / <i>1.697</i>	83 / <i>3.268</i>	15.8 / <i>0.622</i>	37.5 / <i>1.476</i>
24	46.6 / <i>1.835</i>	87 / <i>3.425</i>	21.4 / <i>0.843</i>	43.3 / <i>1.705</i>
28	53.4 / <i>2.102</i>	93 / <i>3.661</i>	21.4 / <i>0.843</i>	43.3 / <i>1.705</i>
32	60.1 / <i>2.366</i>	99 / <i>3.898</i>	26.7 / <i>1.051</i>	51.7 / <i>2.035</i>
36	66.3 / <i>2.610</i>	100 / <i>3.937</i>	31.7 / <i>1.248</i>	58.0 / <i>2.283</i>
40	72.4 / <i>2.850</i>	128 / <i>5.039</i>	34.9 / <i>1.374</i>	65.5 / <i>2.579</i>

DIMENSIONS IN ITALIC ARE INCHES.

STRAIGHT PLUG

06AF*/06F*

1C

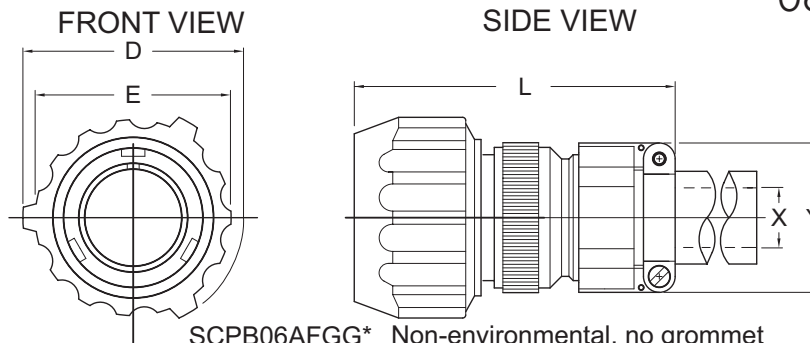


SCP06AF* Non-environmental, no grommet
SCP06F* Environmental with grommet

SHELL SIZE	FRONT VIEW	SIDE VIEW		
	Q MAX	L MAX	X MIN	Y MAX
10SL	22.8 / <i>0.898</i>	64 / <i>2.520</i>	6.5 / <i>0.256</i>	22.7 / <i>0.894</i>
14S	29.2 / <i>1.150</i>	69 / <i>2.717</i>	9.0 / <i>0.354</i>	27.5 / <i>1.083</i>
16S	33.0 / <i>1.299</i>	71 / <i>2.795</i>	11.0 / <i>0.433</i>	30.0 / <i>1.181</i>
16	33.0 / <i>1.299</i>	82 / <i>3.228</i>	11.0 / <i>0.433</i>	30.0 / <i>1.181</i>
18	36.5 / <i>1.437</i>	82 / <i>3.228</i>	14.2 / <i>0.559</i>	32.2 / <i>1.268</i>
20	39.9 / <i>1.571</i>	82 / <i>3.228</i>	15.8 / <i>0.622</i>	37.5 / <i>1.476</i>
22	43.1 / <i>1.697</i>	83 / <i>3.268</i>	15.8 / <i>0.622</i>	37.5 / <i>1.476</i>
24	46.6 / <i>1.835</i>	87 / <i>3.425</i>	21.4 / <i>0.843</i>	43.3 / <i>1.705</i>
28	53.4 / <i>2.102</i>	93 / <i>3.661</i>	21.4 / <i>0.843</i>	43.3 / <i>1.705</i>
32	60.1 / <i>2.366</i>	99 / <i>3.898</i>	26.7 / <i>1.051</i>	51.7 / <i>2.035</i>
36	66.3 / <i>2.610</i>	100 / <i>3.937</i>	31.7 / <i>1.248</i>	58.0 / <i>2.283</i>
40	72.4 / <i>2.850</i>	128 / <i>5.039</i>	34.9 / <i>1.374</i>	65.5 / <i>2.579</i>

DIMENSIONS IN ITALIC ARE INCHES.

06AFFG*/06FFGG*



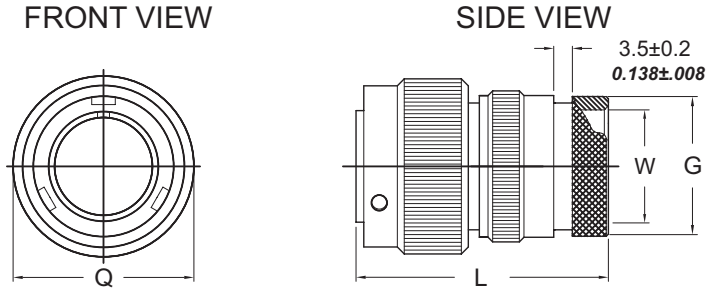
SCP06AFGG* Non-environmental, no grommet
SCP06FFGG* Environmental with grommet

SHELL SIZE	FRONT VIEW		SIDE VIEW		
	D DIA.	E DIA.	L MAX	X MIN	Y MAX
10SL	33.5 / <i>1.319</i>	28.5 / <i>1.122</i>	67.6 / <i>2.660</i>	6.5 / <i>0.256</i>	22.7 / <i>0.894</i>
14S	40.2 / <i>1.583</i>	32.5 / <i>1.280</i>	72.6 / <i>2.857</i>	9.0 / <i>0.354</i>	27.5 / <i>1.083</i>
16S	* / *	* / *	74.6 / <i>2.935</i>	11.0 / <i>0.433</i>	30.0 / <i>1.181</i>
16	* / *	* / *	85.5 / <i>3.368</i>	11.0 / <i>0.433</i>	30.0 / <i>1.181</i>
18	49.0 / <i>1.929</i>	43.5 / <i>1.713</i>	85.5 / <i>3.368</i>	14.2 / <i>0.559</i>	32.2 / <i>1.268</i>
20	51.5 / <i>2.028</i>	46.0 / <i>1.811</i>	85.5 / <i>3.368</i>	15.8 / <i>0.622</i>	37.5 / <i>1.476</i>
22	56.5 / <i>2.224</i>	50.5 / <i>1.988</i>	86.6 / <i>3.408</i>	15.8 / <i>0.622</i>	37.5 / <i>1.476</i>
24	60.0 / <i>2.362</i>	54.0 / <i>2.126</i>	90.6 / <i>3.565</i>	21.4 / <i>0.843</i>	43.3 / <i>1.705</i>
28	67.0 / <i>2.638</i>	61.0 / <i>2.402</i>	96.5 / <i>3.801</i>	21.4 / <i>0.843</i>	43.3 / <i>1.705</i>
32	76.0 / <i>2.992</i>	67.6 / <i>2.661</i>	102.6 / <i>4.038</i>	26.7 / <i>1.051</i>	51.7 / <i>2.035</i>
36	82.3 / <i>3.240</i>	74.3 / <i>2.925</i>	103.6 / <i>4.007</i>	31.7 / <i>1.248</i>	58.0 / <i>2.283</i>
40	88.0 / <i>3.465</i>	80.0 / <i>3.150</i>	131.5 / <i>5.179</i>	34.9 / <i>1.374</i>	65.5 / <i>2.579</i>

DIMENSIONS IN ITALIC ARE INCHES.
* CONSULT FACTORY FOR DIMENSIONS.

STRAIGHT PLUG

06AG*/06G*

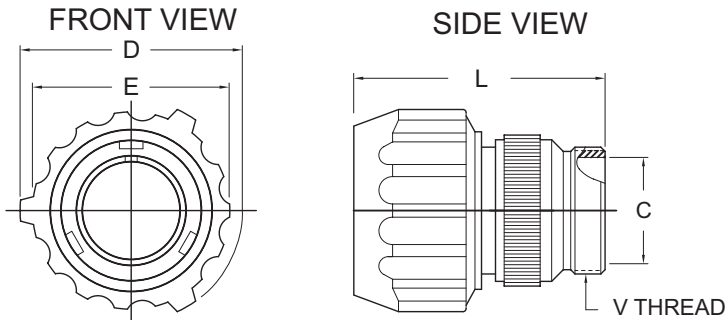


SCPB06AG* Environmental, no grommet
SCPB06G* Environmental with grommet

SHELL SIZE	FRONT VIEW	SIDE VIEW		
	Q MAX	G ±0.2 / ±.008	L MAX	W MIN
10SL	22.8 / <i>0.898</i>	15.5 / <i>0.610</i>	48 / <i>1.890</i>	8.5 / <i>0.335</i>
14S	29.2 / <i>1.150</i>	19.1 / <i>0.752</i>	48 / <i>1.890</i>	12.0 / <i>0.472</i>
16S	33.0 / <i>1.299</i>	23.9 / <i>0.941</i>	48 / <i>1.890</i>	14.5 / <i>0.571</i>
16	33.0 / <i>1.299</i>	23.9 / <i>0.941</i>	60 / <i>2.362</i>	14.5 / <i>0.571</i>
18	36.5 / <i>1.437</i>	23.9 / <i>0.941</i>	60 / <i>2.362</i>	17.5 / <i>0.689</i>
20	39.9 / <i>1.571</i>	29.6 / <i>1.165</i>	65 / <i>2.559</i>	19.5 / <i>0.768</i>
22	43.1 / <i>1.697</i>	29.6 / <i>1.165</i>	65 / <i>2.559</i>	22.0 / <i>0.866</i>
24	46.6 / <i>1.835</i>	37.8 / <i>1.488</i>	65 / <i>2.559</i>	25.0 / <i>0.984</i>
28	53.4 / <i>2.102</i>	37.8 / <i>1.488</i>	65 / <i>2.559</i>	29.0 / <i>1.142</i>
32	60.1 / <i>2.366</i>	47.8 / <i>1.882</i>	70 / <i>2.756</i>	34.0 / <i>1.339</i>
36	66.3 / <i>2.610</i>	47.8 / <i>1.882</i>	75 / <i>2.953</i>	38.5 / <i>1.516</i>
40	72.4 / <i>2.850</i>	52.4 / <i>2.063</i>	77 / <i>3.031</i>	48.0 / <i>1.890</i>

DIMENSIONS IN ITALIC ARE INCHES.

06AGG*/06RGG*



SCPB06AGG* Non-environmental, no grommet
SCPB06RGG* Environmental with grommet

SHELL SIZE	FRONT VIEW		SIDE VIEW		
	D DIA.	E DIA.	C MIN.	L MAX.	V THREAD CLASS 2A
10SL	33.5 / <i>1.319</i>	28.5 / <i>1.122</i>	8.2 / <i>0.323</i>	50.5 / <i>1.990</i>	5/8-24 UNEF
14S	40.2 / <i>1.583</i>	32.5 / <i>1.280</i>	11.1 / <i>0.437</i>	50.5 / <i>1.990</i>	3/4-20 UNEF
16S	* / *	* / *	14.3 / <i>0.563</i>	50.5 / <i>1.990</i>	7/8-20 UNEF
16	* / *	* / *	14.3 / <i>0.563</i>	61.5 / <i>2.423</i>	7/8-20 UNEF
18	49.0 / <i>1.929</i>	43.5 / <i>1.713</i>	16.7 / <i>0.657</i>	61.5 / <i>2.423</i>	1-20 UNEF
20	51.5 / <i>2.028</i>	46.0 / <i>1.811</i>	19.8 / <i>0.780</i>	61.5 / <i>2.423</i>	1 3/16-18 UNEF
22	56.5 / <i>2.224</i>	50.5 / <i>1.988</i>	19.8 / <i>0.780</i>	62.6 / <i>2.463</i>	1 3/16-18 UNEF
24	60.0 / <i>2.362</i>	54.0 / <i>2.126</i>	25.4 / <i>1.000</i>	64.6 / <i>2.542</i>	1 7/16-18 UNEF
28	67.0 / <i>2.638</i>	61.0 / <i>2.402</i>	27.0 / <i>1.063</i>	70.6 / <i>2.778</i>	1 7/16-18 UNEF
32	76.0 / <i>2.992</i>	67.6 / <i>2.661</i>	32.5 / <i>1.280</i>	74.6 / <i>2.935</i>	1 3/4-18 UNS
36	82.3 / <i>3.240</i>	74.3 / <i>2.925</i>	35.7 / <i>1.406</i>	74.6 / <i>2.935</i>	2-18 UNS
40	88.0 / <i>3.465</i>	80.0 / <i>3.150</i>	45.0 / <i>1.772</i>	89.6 / <i>3.526</i>	2 1/4-16 UN

DIMENSIONS IN ITALIC ARE INCHES.
* CONSULT FACTORY FOR DIMENSIONS.

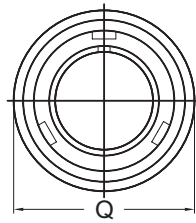


STRAIGHT PLUG

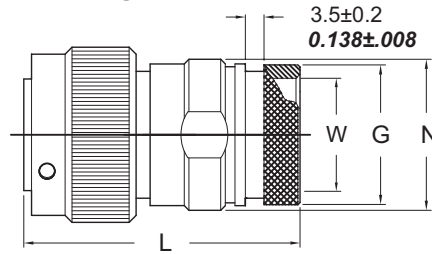
06AG2G*/06G2G*

1C

FRONT VIEW



SIDE VIEW



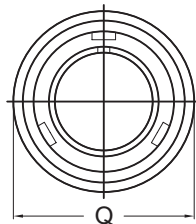
SCPB06AG2G* Environmental, no grommet
SCPB06G2G* Environmental with grommet

SHELL SIZE	FRONT VIEW	SIDE VIEW			
	Q MAX	G ±0.2/±.008	N MAX	L APRX	W MIN
10SL	22.8 / <i>0.898</i>	15.5 / <i>0.610</i>	22 / <i>0.866</i>	49.0 / <i>1.929</i>	8.5 / <i>0.335</i>
14S	29.2 / <i>1.150</i>	19.1 / <i>0.752</i>	25 / <i>0.984</i>	49.0 / <i>1.929</i>	12.0 / <i>0.472</i>
16S	33.0 / <i>1.299</i>	23.9 / <i>0.941</i>	28 / <i>1.102</i>	49.8 / <i>1.961</i>	14.5 / <i>0.571</i>
16	33.0 / <i>1.299</i>	23.9 / <i>0.941</i>	28 / <i>1.102</i>	59.3 / <i>2.335</i>	14.5 / <i>0.571</i>
18	36.5 / <i>1.437</i>	23.9 / <i>0.941</i>	31 / <i>1.220</i>	58.8 / <i>2.315</i>	17.5 / <i>0.689</i>
20	39.9 / <i>1.571</i>	29.6 / <i>1.165</i>	35 / <i>1.378</i>	59.5 / <i>2.343</i>	19.5 / <i>0.768</i>
22	43.1 / <i>1.697</i>	29.6 / <i>1.165</i>	38 / <i>1.496</i>	59.5 / <i>2.343</i>	22.0 / <i>0.866</i>
24	46.6 / <i>1.835</i>	37.8 / <i>1.488</i>	41 / <i>1.614</i>	62.1 / <i>2.445</i>	25.0 / <i>0.984</i>
28	53.4 / <i>2.102</i>	37.8 / <i>1.488</i>	48 / <i>1.890</i>	63.9 / <i>2.516</i>	29.0 / <i>1.142</i>
32	60.1 / <i>2.366</i>	47.8 / <i>1.882</i>	54 / <i>2.126</i>	66.2 / <i>2.606</i>	34.0 / <i>1.339</i>
36	66.3 / <i>2.610</i>	47.8 / <i>1.882</i>	61 / <i>2.402</i>	66.2 / <i>2.606</i>	38.5 / <i>1.516</i>
40	72.4 / <i>2.850</i>	52.4 / <i>2.063</i>	68 / <i>2.677</i>	66.5 / <i>2.618</i>	48.0 / <i>1.890</i>

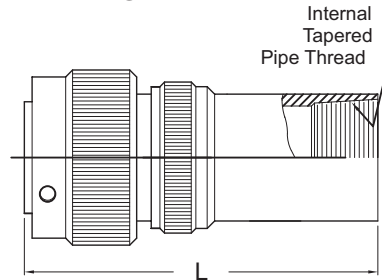
DIMENSIONS IN ITALIC ARE INCHES.

06APT*

FRONT VIEW



SIDE VIEW



SCPB06APT* Environmental, no grommet

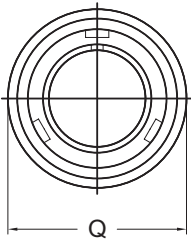
SHELL SIZE	FRONT VIEW	SIDE VIEW		
	Q MAX	L MAX	SUFFIX CODE	PIPE THREAD
10SL	22.8 / <i>0.898</i>	60 / <i>2.362</i>	01	1/8
14S	29.2 / <i>1.150</i>	60 / <i>2.362</i>	02	1/4
16S	33.0 / <i>1.299</i>	60 / <i>2.362</i>	03	3/8
16	33.0 / <i>1.299</i>	70 / <i>2.756</i>	04	1/2
18	36.5 / <i>1.437</i>	70 / <i>2.756</i>	05	3/4
20	39.9 / <i>1.571</i>	70 / <i>2.756</i>	06	1
22	43.1 / <i>1.697</i>	70 / <i>2.756</i>	07	1 1/4
24	46.6 / <i>1.835</i>	80 / <i>3.150</i>	08	1 1/2
28	53.4 / <i>2.102</i>	80 / <i>3.150</i>	09	2
32	60.1 / <i>2.366</i>	80 / <i>3.150</i>	10	2 1/2
36	66.3 / <i>2.610</i>	95 / <i>3.740</i>		
40	72.4 / <i>2.850</i>	95 / <i>3.740</i>		

DIMENSIONS IN ITALIC ARE INCHES.

STRAIGHT PLUG

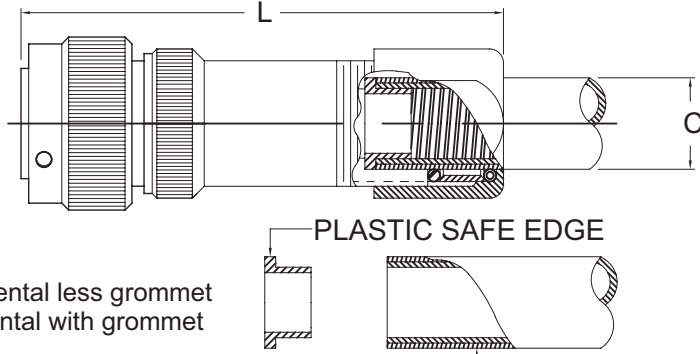
06ARK*/06RK*

FRONT VIEW



SCPB06ARK* Environmental less grommet
 SCPB06RK* Environmental with grommet

SIDE VIEW



SHELL SIZE	FRONT VIEW	SIDE VIEW
	Q MAX	L
10SL	22.8 / <i>0.898</i>	Dimension L is dependent on conduit size used with each shell size. (consult factory)
14S	29.2 / <i>1.150</i>	
16S	33.0 / <i>1.299</i>	
16	33.0 / <i>1.299</i>	
18	36.5 / <i>1.437</i>	
20	39.9 / <i>1.571</i>	
22	43.1 / <i>1.697</i>	
24	46.6 / <i>1.835</i>	
28	53.4 / <i>2.102</i>	
32	60.1 / <i>2.366</i>	
36	66.3 / <i>2.610</i>	
40	72.4 / <i>2.850</i>	

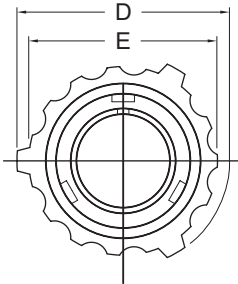
CODE (***)	AVAILABLE CONDUIT SIZES C
(038)	9.52/ <i>3/8</i>
(050)	12.70/ <i>1/2</i>
(075)	19.05/ <i>3/4</i>
(100)	25.40/ <i>1</i>
(125)	31.75/ <i>1 1/4</i>
(150)	38.10/ <i>1 1/2</i>
(200)	50.80/ <i>2</i>

(***) Conduit size must be specified as part of the connector part number using conduit code

DIMENSIONS IN ITALIC ARE INCHES.

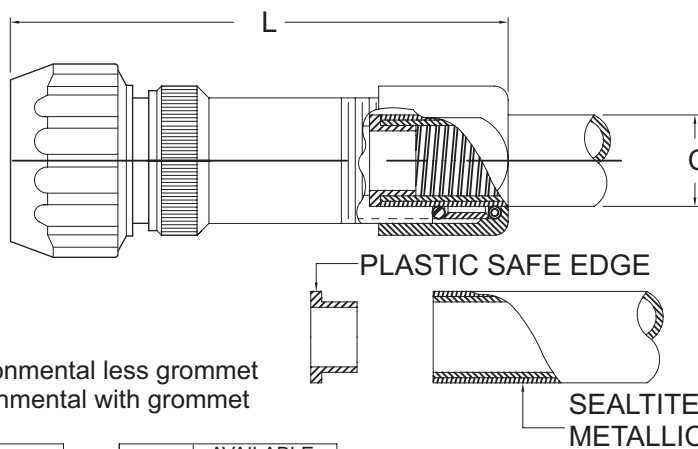
06ARKGG*/06RKGG*

FRONT VIEW



SCPB06ARKGG* Environmental less grommet
 SCPB06RKGG* Environmental with grommet

SIDE VIEW



SHELL SIZE	FRONT VIEW		SIDE VIEW
	D DIA.	E DIA.	L
10SL	33.5 / <i>1.319</i>	28.5 / <i>1.122</i>	Dimension L is dependent on conduit size used with each shell size. (consult factory)
14S	40.2 / <i>1.583</i>	32.5 / <i>1.280</i>	
16S	* / *	* / *	
16	* / *	* / *	
18	49.0 / <i>1.929</i>	43.5 / <i>1.713</i>	
20	51.5 / <i>2.028</i>	46.0 / <i>1.811</i>	
22	56.5 / <i>2.224</i>	50.5 / <i>1.988</i>	
24	60.0 / <i>2.362</i>	54.0 / <i>2.126</i>	
28	67.0 / <i>2.638</i>	61.0 / <i>2.402</i>	
32	76.0 / <i>2.992</i>	67.6 / <i>2.661</i>	
36	82.3 / <i>3.240</i>	74.3 / <i>2.925</i>	
40	88.0 / <i>3.465</i>	80.0 / <i>3.150</i>	

CODE (***)	AVAILABLE CONDUIT SIZES C
(038)	9.52/ <i>3/8</i>
(050)	12.70/ <i>1/2</i>
(075)	19.05/ <i>3/4</i>
(100)	25.40/ <i>1</i>
(125)	31.75/ <i>1 1/4</i>
(150)	38.10/ <i>1 1/2</i>
(200)	50.80/ <i>2</i>

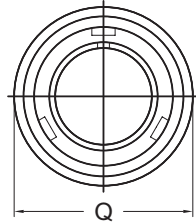
(***) Conduit size must be specified as part of the connector part number using conduit code
 DIMENSIONS IN ITALIC ARE INCHES.
 * CONSULT FACTORY FOR DIMENSIONS.

STRAIGHT PLUG

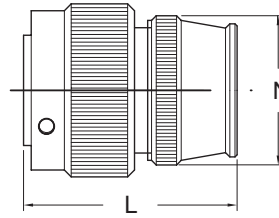
06ARV*/06RV*

1C

FRONT VIEW



SIDE VIEW



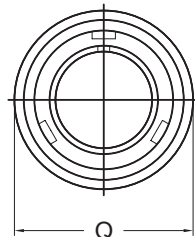
SCPB06ARV* Non-environmental, no grommet
 SCPB06RV* Environmental with grommet

SHELL SIZE	FRONT VIEW	SIDE VIEW	
	Q MAX	L MAX	N MAX
10SL	22.8 / <i>0.898</i>	40 / <i>1.575</i>	20.0 / <i>0.787</i>
14S	29.2 / <i>1.150</i>	40 / <i>1.575</i>	24.0 / <i>0.945</i>
16S	33.0 / <i>1.299</i>	40 / <i>1.575</i>	26.0 / <i>1.024</i>
16	33.0 / <i>1.299</i>	56 / <i>2.205</i>	26.0 / <i>1.024</i>
18	36.5 / <i>1.437</i>	56 / <i>2.205</i>	29.5 / <i>1.161</i>
20	39.9 / <i>1.571</i>	57 / <i>2.244</i>	33.0 / <i>1.299</i>
22	43.1 / <i>1.697</i>	57 / <i>2.244</i>	36.0 / <i>1.417</i>
24	46.6 / <i>1.835</i>	59 / <i>2.323</i>	40.0 / <i>1.575</i>
28	53.4 / <i>2.102</i>	59 / <i>2.323</i>	46.0 / <i>1.811</i>
32	60.1 / <i>2.366</i>	60 / <i>2.362</i>	51.5 / <i>2.028</i>
36	66.3 / <i>2.610</i>	60 / <i>2.362</i>	58.0 / <i>2.283</i>
40	72.4 / <i>2.850</i>	61 / <i>2.402</i>	64.5 / <i>2.539</i>

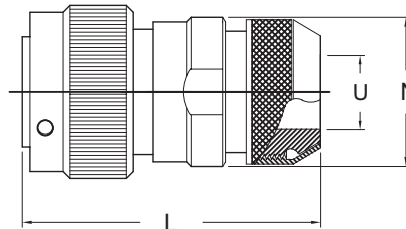
DIMENSIONS IN ITALIC ARE INCHES.

06ASB*/06SB*

FRONT VIEW



SIDE VIEW



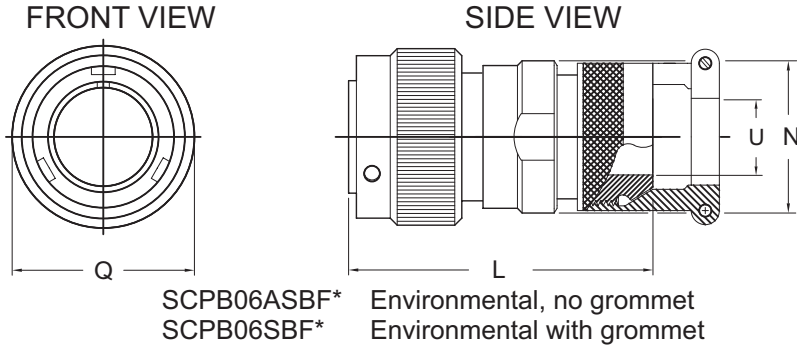
SCPB06ASB* Environmental, no grommet
 SCPB06SB* Environmental with grommet

SHELL SIZE	FRONT VIEW	SIDE VIEW		
	Q MAX	L MAX	N MAX	U MIN
10SL	22.8 / <i>0.898</i>	51.4 / <i>2.024</i>	22 / <i>0.866</i>	8.6 / <i>0.339</i>
14S	29.2 / <i>1.150</i>	51.4 / <i>2.024</i>	25 / <i>0.984</i>	10.6 / <i>0.417</i>
16S	33.0 / <i>1.299</i>	53.4 / <i>2.102</i>	28 / <i>1.102</i>	13.5 / <i>0.531</i>
16	33.0 / <i>1.299</i>	62.5 / <i>2.461</i>	28 / <i>1.102</i>	13.5 / <i>0.531</i>
18	36.5 / <i>1.437</i>	63.7 / <i>2.508</i>	31 / <i>1.220</i>	14.6 / <i>0.575</i>
20	39.9 / <i>1.571</i>	63.7 / <i>2.508</i>	35 / <i>1.378</i>	18.5 / <i>0.728</i>
22	43.1 / <i>1.697</i>	63.7 / <i>2.508</i>	38 / <i>1.496</i>	20.8 / <i>0.819</i>
24	46.6 / <i>1.835</i>	64.4 / <i>2.535</i>	41 / <i>1.614</i>	24.6 / <i>0.969</i>
28	53.4 / <i>2.102</i>	64.4 / <i>2.535</i>	48 / <i>1.890</i>	27.0 / <i>1.063</i>
32	60.1 / <i>2.366</i>	66.0 / <i>2.598</i>	54 / <i>2.126</i>	33.3 / <i>1.311</i>
36	66.3 / <i>2.610</i>	66.0 / <i>2.598</i>	61 / <i>2.402</i>	38.5 / <i>1.516</i>
40	72.4 / <i>2.850</i>	66.0 / <i>2.598</i>	68 / <i>2.677</i>	46.0 / <i>1.811</i>

DIMENSIONS IN ITALIC ARE INCHES.

STRAIGHT PLUG

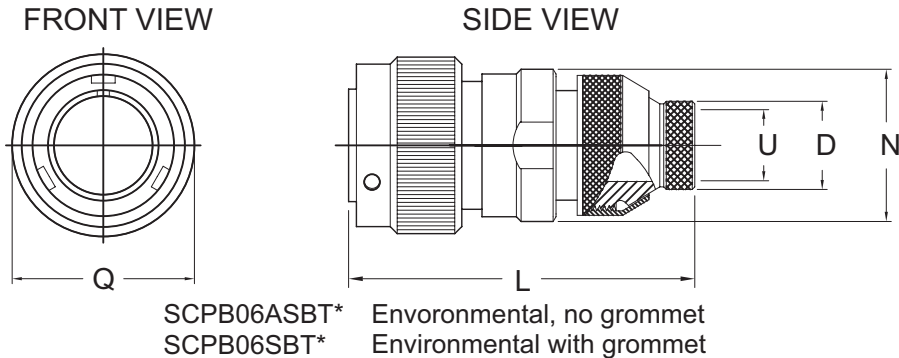
06ASBF*/06SBF*



SHELL SIZE	FRONT VIEW	SIDE VIEW		
	Q MAX	L MAX	N MAX	U MIN
10SL	22.8 / <i>0.898</i>	51.4 / <i>2.024</i>	22 / <i>0.866</i>	8.6 / <i>0.339</i>
14S	29.2 / <i>1.150</i>	51.4 / <i>2.024</i>	25 / <i>0.984</i>	10.6 / <i>0.417</i>
16S	33.0 / <i>1.299</i>	53.4 / <i>2.102</i>	28 / <i>1.102</i>	13.5 / <i>0.531</i>
16	33.0 / <i>1.299</i>	62.5 / <i>2.461</i>	28 / <i>1.102</i>	13.5 / <i>0.531</i>
18	36.5 / <i>1.437</i>	63.7 / <i>2.508</i>	31 / <i>1.220</i>	14.6 / <i>0.575</i>
20	39.9 / <i>1.571</i>	63.7 / <i>2.508</i>	35 / <i>1.378</i>	18.5 / <i>0.728</i>
22	43.1 / <i>1.697</i>	63.7 / <i>2.508</i>	38 / <i>1.496</i>	20.8 / <i>0.819</i>
24	46.6 / <i>1.835</i>	64.4 / <i>2.535</i>	41 / <i>1.614</i>	24.6 / <i>0.969</i>
28	53.4 / <i>2.102</i>	64.4 / <i>2.535</i>	48 / <i>1.890</i>	27.0 / <i>1.063</i>
32	60.1 / <i>2.366</i>	66.0 / <i>2.598</i>	54 / <i>2.126</i>	33.3 / <i>1.311</i>
36	66.3 / <i>2.610</i>	66.0 / <i>2.598</i>	61 / <i>2.402</i>	38.5 / <i>1.516</i>
40	72.4 / <i>2.850</i>	66.0 / <i>2.598</i>	68 / <i>2.677</i>	46.0 / <i>1.811</i>

DIMENSIONS IN ITALIC ARE INCHES.

06ASBT*/06SBT*

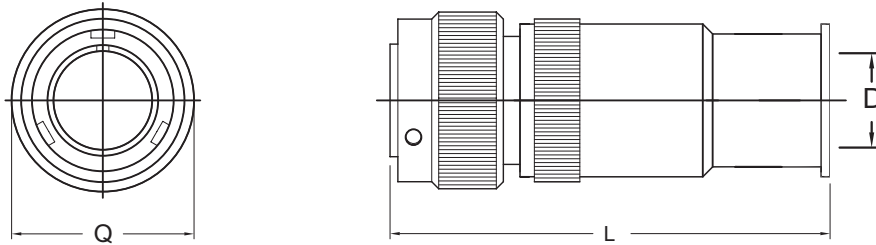


SHELL SIZE	FRONT VIEW	SIDE VIEW			
	Q MAX	D MAX	L MAX	N MAX	U MIN
10SL	22.8 / <i>0.898</i>	11.1 / <i>0.437</i>	61 / <i>2.402</i>	22 / <i>0.866</i>	7.6 / <i>0.299</i>
14S	29.2 / <i>1.150</i>	14.3 / <i>0.563</i>	64 / <i>2.520</i>	25 / <i>0.984</i>	10.8 / <i>0.425</i>
16S	33.0 / <i>1.299</i>	15.9 / <i>0.626</i>	70 / <i>2.756</i>	28 / <i>1.102</i>	12.4 / <i>0.488</i>
16	33.0 / <i>1.299</i>	15.9 / <i>0.626</i>	80 / <i>3.150</i>	28 / <i>1.102</i>	12.4 / <i>0.488</i>
18	36.5 / <i>1.437</i>	19.1 / <i>0.752</i>	80 / <i>3.150</i>	31 / <i>1.220</i>	15.6 / <i>0.614</i>
20	39.9 / <i>1.571</i>	22.3 / <i>0.878</i>	80 / <i>3.150</i>	35 / <i>1.378</i>	18.7 / <i>0.736</i>
22	43.1 / <i>1.697</i>	25.4 / <i>1.000</i>	80 / <i>3.150</i>	38 / <i>1.496</i>	21.9 / <i>0.862</i>
24	46.6 / <i>1.835</i>	28.6 / <i>1.126</i>	80 / <i>3.150</i>	41 / <i>1.614</i>	25.1 / <i>0.988</i>
28	53.4 / <i>2.102</i>	31.8 / <i>1.252</i>	80 / <i>3.150</i>	48 / <i>1.890</i>	28.3 / <i>1.114</i>
32	60.1 / <i>2.366</i>	36.6 / <i>1.440</i>	80 / <i>3.150</i>	54 / <i>2.126</i>	28.3 / <i>1.114</i>
36	66.3 / <i>2.610</i>	44.5 / <i>1.752</i>	85 / <i>3.346</i>	61 / <i>2.402</i>	41.0 / <i>1.614</i>
40	72.4 / <i>2.850</i>	50.8 / <i>2.000</i>	85 / <i>3.346</i>	68 / <i>2.677</i>	40.6 / <i>1.600</i>

DIMENSIONS IN ITALIC ARE INCHES.

1. DIMENSION L WILL VARY FROM THE VALUES INDICATED FOR SOME SPECIAL INSERT CONFIGURATIONS.





SCPB06BC* Environmental with grommet

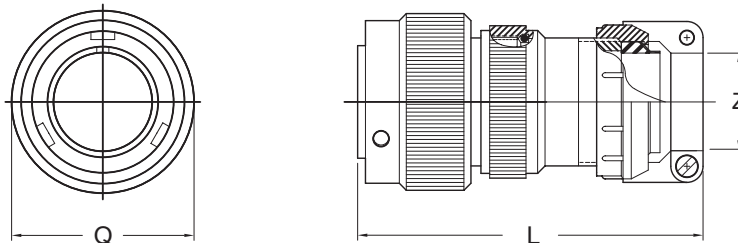
SHELL SIZE	FRONT VIEW	SIDE VIEW	CABLE RANGE		
	Q MAX	L	SUFFIX IN PART NUMBER	CONDUIT INNER DIAMETER	D MAX.
10SL	22.8 / <i>0.898</i>	* Dimension L is dependent on the backshell used, the cable range and the fitting used. Consult factory.	(046)	11.4/ <i>0.450</i>	7.5/ <i>0.300</i>
14S	29.2 / <i>1.150</i>		(049)	12.5/ <i>0.490</i>	7.5/ <i>0.300</i>
16S	33.0 / <i>1.299</i>		(053)	13.5/ <i>0.530</i>	10.4/ <i>0.410</i>
16	33.0 / <i>1.299</i>		(075)	19.1/ <i>0.750</i>	15.9/ <i>0.630</i>
18	36.5 / <i>1.437</i>		(084)	21.3/ <i>0.840</i>	17.5/ <i>0.690</i>
20	39.9 / <i>1.571</i>		(106)	26.9/ <i>1.060</i>	23.9/ <i>0.940</i>
22	43.1 / <i>1.697</i>		(110)	27.9/ <i>1.100</i>	25.6/ <i>1.010</i>
24	46.6 / <i>1.835</i>		(122)	31.0/ <i>1.220</i>	28.6/ <i>1.130</i>
28	53.4 / <i>2.102</i>		(138)	35.1/ <i>1.380</i>	29.4/ <i>1.160</i>
32	60.1 / <i>2.366</i>		(157)	39.9/ <i>1.570</i>	37.8/ <i>1.490</i>
36	66.3 / <i>2.610</i>		(197)	50.0/ <i>1.970</i>	45.2/ <i>1.780</i>
40	72.4 / <i>2.850</i>				

DIMENSIONS IN ITALIC ARE INCHES.

FRONT VIEW

SIDE VIEW

06CF*/06CFZ*



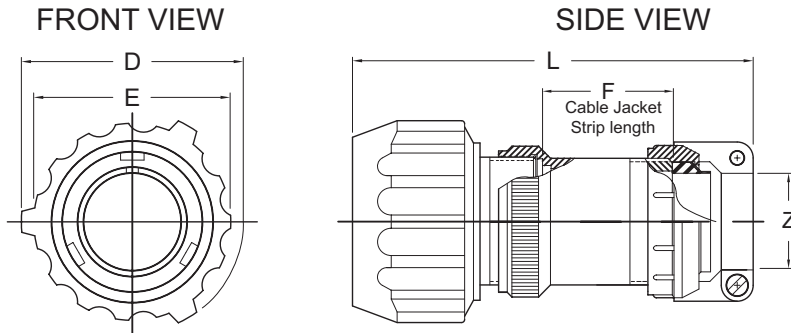
SCPB06CF* Environmental, no grommet
SCPB06CFZ* Environmental with grommet

SHELL SIZE	FRONT VIEW	SIDE VIEW		
	Q MAX	L MAX	Z	
			OPEN	CLOSED
10SL	22.8/ <i>0.898</i>	73/ <i>2.874</i>	7.93/ <i>0.312</i>	2.38/ <i>0.094</i>
14S	29.2/ <i>1.150</i>	77/ <i>3.031</i>	11.12/ <i>0.438</i>	5.84/ <i>0.230</i>
16S	33.0/ <i>1.299</i>	77/ <i>3.031</i>	13.48/ <i>0.531</i>	8.0/ <i>0.315</i>
16	33.0/ <i>1.299</i>	88/ <i>3.465</i>	13.48/ <i>0.531</i>	8.0/ <i>0.315</i>
18	36.5/ <i>1.437</i>	91/ <i>3.583</i>	15.87/ <i>0.625</i>	9.6/ <i>0.378</i>
20	39.9/ <i>1.571</i>	91/ <i>3.583</i>	19.00/ <i>0.748</i>	11.3/ <i>0.445</i>
22	43.1/ <i>1.697</i>	92/ <i>3.622</i>	19.00/ <i>0.748</i>	11.3/ <i>0.445</i>
24	46.6/ <i>1.835</i>	97/ <i>3.819</i>	23.80/ <i>0.937</i>	15.5/ <i>0.610</i>
28	53.4/ <i>2.102</i>	103/ <i>4.055</i>	23.80/ <i>0.937</i>	15.5/ <i>0.610</i>
32	60.1/ <i>2.366</i>	113/ <i>4.449</i>	31.75/ <i>1.250</i>	23.4/ <i>0.921</i>
36	66.3/ <i>2.610</i>	120/ <i>4.724</i>	35.00/ <i>1.378</i>	23.4/ <i>0.921</i>
40	72.4/ <i>2.850</i>	135/ <i>5.315</i>	41.25/ <i>1.624</i>	29.9/ <i>1.177</i>

DIMENSIONS IN ITALIC ARE INCHES.

STRAIGHT PLUG

06CFGG*/06CFZGG*

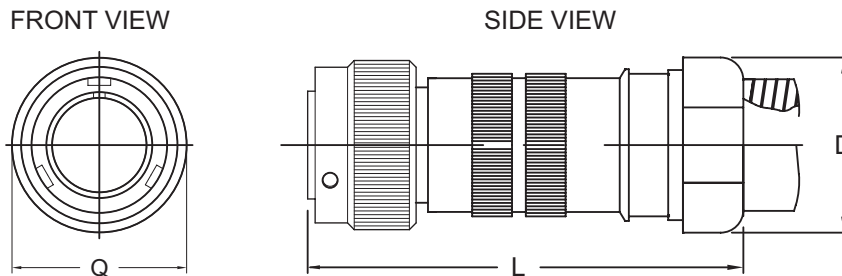


SCPB06CFGG* Environmental, no grommet
 SCPB06CFZGG* Environmental with grommet

SHELL SIZE	FRONT VIEW		SIDE VIEW			
	D DIA.	E DIA.	F APPROX. NOTE 1	L MAX.	Z	
					OPEN	CLOSED
10SL	33.5 / <i>1.319</i>	28.5 / <i>1.122</i>	14.0 / <i>0.551</i>	92.6 / <i>3.644</i>	7.93 / <i>0.312</i>	2.38 / <i>0.094</i>
14S	40.2 / <i>1.583</i>	32.5 / <i>1.280</i>	18.6 / <i>0.732</i>	92.6 / <i>3.644</i>	11.12 / <i>0.438</i>	5.84 / <i>0.230</i>
16S	* / *	* / *	* / *	* / *	13.48 / <i>0.531</i>	8.0 / <i>0.315</i>
16	* / *	* / *	* / *	* / *	13.48 / <i>0.531</i>	8.0 / <i>0.315</i>
18	49.0 / <i>1.929</i>	43.5 / <i>1.713</i>	17.8 / <i>0.701</i>	109.6 / <i>4.313</i>	15.87 / <i>0.625</i>	9.6 / <i>0.378</i>
20	51.5 / <i>2.028</i>	46.0 / <i>1.811</i>	17.9 / <i>0.705</i>	110.6 / <i>4.353</i>	19.00 / <i>0.748</i>	11.3 / <i>0.445</i>
22	56.5 / <i>2.224</i>	50.5 / <i>1.988</i>	18.9 / <i>0.744</i>	110.6 / <i>4.353</i>	19.00 / <i>0.748</i>	11.3 / <i>0.445</i>
24	60.0 / <i>2.362</i>	54.0 / <i>2.126</i>	17.5 / <i>0.689</i>	121.6 / <i>4.786</i>	23.80 / <i>0.937</i>	15.5 / <i>0.610</i>
28	67.0 / <i>2.638</i>	61.0 / <i>2.402</i>	23.4 / <i>0.921</i>	121.6 / <i>4.786</i>	23.80 / <i>0.937</i>	15.5 / <i>0.610</i>
32	76.0 / <i>2.992</i>	67.6 / <i>2.661</i>	25.8 / <i>1.016</i>	130.6 / <i>5.140</i>	31.75 / <i>1.250</i>	23.4 / <i>0.921</i>
36	82.3 / <i>3.240</i>	74.3 / <i>2.925</i>	26.2 / <i>1.031</i>	137.6 / <i>5.416</i>	35.00 / <i>1.378</i>	23.4 / <i>0.921</i>
40	88.0 / <i>3.465</i>	80.0 / <i>3.150</i>	41.0 / <i>1.614</i>	147.5 / <i>5.809</i>	41.25 / <i>1.624</i>	29.9 / <i>1.177</i>

DIMENSIONS IN ITALIC ARE INCHES.
 * CONSULT FACTORY FOR DIMENSIONS.
 NOTE 1. DIMENSIONS L AND F WILL VARY FROM THE VALUES INDICATED WITH ESCALATING OR DE-ESCALATING BACKSHELLS AND SOME SPECIAL INSERT ARRANGEMENTS. CONSULT FACTORY FOR VERIFICATION.

06CMEG*



SCPB06CMEG* Environmental with grommet

SHELL SIZE	FRONT VIEW	SIDE VIEW	CONDUIT SIZE					
	Q MAX	L	CABLE CODE	ELECTRI-FLEX CONDUIT TRADE SIZE	SHELL SIZE	D APRX.		
10SL	22.8 / <i>0.898</i>	* Dimension L is dependent on the backshell used, the cable range and the fitting used. Consult factory.	075	3/4	20	41.9 / <i>1.65</i>		
14S	29.2 / <i>1.150</i>				24	41.9 / <i>1.65</i>		
16S	33.0 / <i>1.299</i>				36	41.9 / <i>1.65</i>		
16	33.0 / <i>1.299</i>				100	100	20	47.6 / <i>1.88</i>
18	36.5 / <i>1.437</i>							
20	39.9 / <i>1.571</i>							
22	43.1 / <i>1.697</i>							
24	46.6 / <i>1.835</i>							
28	53.4 / <i>2.102</i>							
32	60.1 / <i>2.366</i>							
36	66.3 / <i>2.610</i>							
40	72.4 / <i>2.850</i>							

FOR OTHER SIZES, CONSULT FACTORY

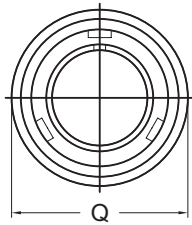
DIMENSIONS IN ITALIC ARE INCHES.

STRAIGHT PLUG

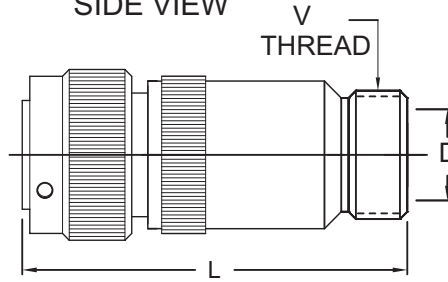
06LA*/06LR*

1C

FRONT VIEW



SIDE VIEW



SCPB06LA*
SCPB06LR*

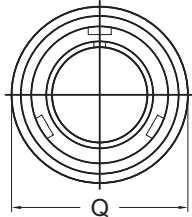
Non-environmental, no grommet
Environmental with grommet

SHELL SIZE	FRONT VIEW	SIDE VIEW		
	Q MAX	D MIN.	L MAX.	V THREAD CLASS 2A
10SL	22.8 / <i>0.898</i>	8.2 / <i>0.323</i>	71 / <i>2.79</i>	5/8-24 UNEF
14S	29.2 / <i>1.150</i>	11.1 / <i>0.437</i>	71 / <i>2.79</i>	3/4-20 UNEF
16S	33.0 / <i>1.299</i>	14.3 / <i>0.563</i>	71 / <i>2.79</i>	7/8-20 UNEF
16	33.0 / <i>1.299</i>	14.3 / <i>0.563</i>	87 / <i>3.42</i>	7/8-20 UNEF
18	36.5 / <i>1.437</i>	16.7 / <i>0.657</i>	87 / <i>3.42</i>	1-20 UNEF
20	39.9 / <i>1.571</i>	19.8 / <i>0.780</i>	87 / <i>3.42</i>	1 3/16-18 UNEF
22	43.1 / <i>1.697</i>	19.8 / <i>0.780</i>	87 / <i>3.42</i>	1 3/16-18 UNEF
24	46.6 / <i>1.835</i>	25.4 / <i>1.000</i>	87 / <i>3.42</i>	1 7/16-18 UNEF
28	53.4 / <i>2.102</i>	27.0 / <i>1.063</i>	95 / <i>3.74</i>	1 7/16-18 UNEF
32	60.1 / <i>2.366</i>	32.5 / <i>1.280</i>	95 / <i>3.74</i>	1 3/4-18 UNS
36	66.3 / <i>2.610</i>	35.7 / <i>1.406</i>	95 / <i>3.74</i>	2-18 UNS
40	72.4 / <i>2.850</i>	45.0 / <i>1.772</i>	95 / <i>3.74</i>	2 1/4-16 UN

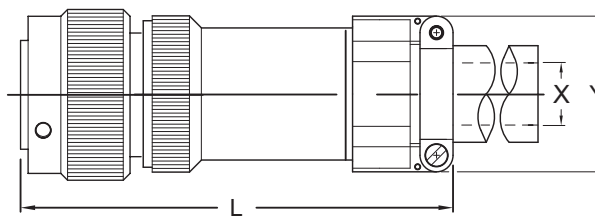
DIMENSIONS IN ITALIC ARE INCHES.

06LAF*/06LF*

FRONT VIEW



SIDE VIEW



SCPB06LAF*
SCPB06LF*

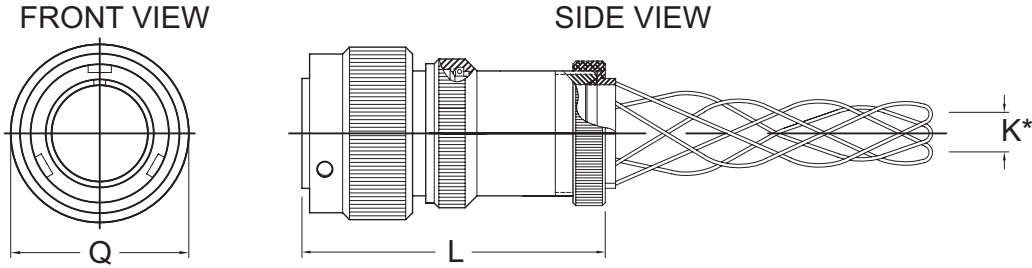
Non-environmental, no grommet
Environmental with grommet

SHELL SIZE	FRONT VIEW	SIDE VIEW		
	Q MAX	L MAX	X MIN	Y MAX
10SL	22.8 / <i>0.898</i>	92 / <i>3.622</i>	5.6 / <i>0.220</i>	22.7 / <i>0.894</i>
14S	29.2 / <i>1.150</i>	93 / <i>3.661</i>	7.9 / <i>0.311</i>	27.5 / <i>1.083</i>
16S	33.0 / <i>1.299</i>	95 / <i>3.740</i>	11.0 / <i>0.433</i>	30.0 / <i>1.181</i>
16	33.0 / <i>1.299</i>	111 / <i>4.370</i>	11.0 / <i>0.433</i>	30.0 / <i>1.181</i>
18	36.5 / <i>1.437</i>	111 / <i>4.370</i>	14.2 / <i>0.559</i>	32.2 / <i>1.268</i>
20	39.9 / <i>1.571</i>	111 / <i>4.370</i>	15.8 / <i>0.622</i>	37.5 / <i>1.476</i>
22	43.1 / <i>1.697</i>	111 / <i>4.370</i>	15.8 / <i>0.622</i>	37.5 / <i>1.476</i>
24	46.6 / <i>1.835</i>	113 / <i>4.449</i>	19.0 / <i>0.748</i>	43.3 / <i>1.705</i>
28	53.4 / <i>2.102</i>	121 / <i>4.764</i>	19.0 / <i>0.748</i>	43.3 / <i>1.705</i>
32	60.1 / <i>2.366</i>	123 / <i>4.842</i>	23.8 / <i>1.051</i>	51.7 / <i>2.035</i>
36	66.3 / <i>2.610</i>	125 / <i>4.921</i>	31.7 / <i>1.248</i>	58.0 / <i>2.283</i>
40	72.4 / <i>2.850</i>	138 / <i>5.433</i>	34.9 / <i>1.374</i>	65.5 / <i>2.579</i>

DIMENSIONS IN ITALIC ARE INCHES.

STRAIGHT PLUG

06LC*/06LCG*



SCPB06LC* Environmental with grommet
SCPB06LCG* Environmental, no grommet

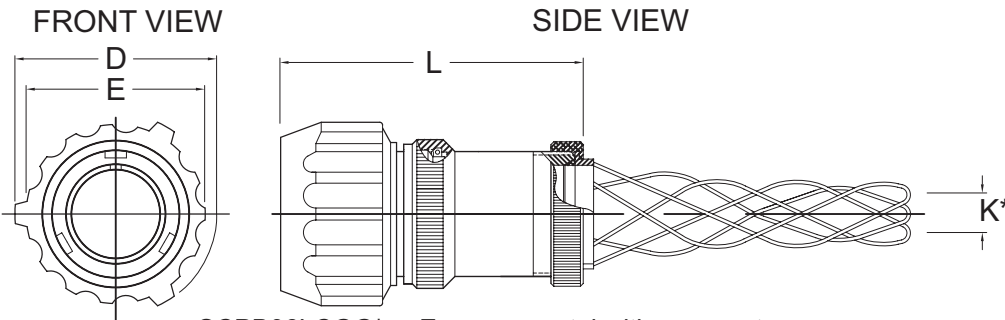
SHELL SIZE	FRONT VIEW	SIDE VIEW
	Q MAX	L MAX
10SL	22.8 / <i>0.898</i>	100 / <i>3.937</i>
14S	29.2 / <i>1.150</i>	100 / <i>3.937</i>
16S	33.0 / <i>1.299</i>	100 / <i>3.937</i>
16	33.0 / <i>1.299</i>	110 / <i>4.331</i>
18	36.5 / <i>1.437</i>	110 / <i>4.331</i>
20	39.9 / <i>1.571</i>	116 / <i>4.567</i>
22	43.1 / <i>1.697</i>	116 / <i>4.567</i>
24	46.6 / <i>1.835</i>	120 / <i>4.724</i>
28	53.4 / <i>2.102</i>	129 / <i>5.079</i>
32	60.1 / <i>2.366</i>	145 / <i>5.709</i>
36	66.3 / <i>2.610</i>	145 / <i>5.709</i>
40	72.4 / <i>2.850</i>	145 / <i>5.709</i>

K*	CABLE RANGE	
	MIN	MAX
K0	6.35 / <i>0.250</i>	9.53 / <i>0.375</i>
K1	9.53 / <i>0.375</i>	12.7 / <i>0.500</i>
K2	12.7 / <i>0.500</i>	15.87 / <i>0.625</i>
K3	15.87 / <i>0.625</i>	19.05 / <i>0.750</i>
K4	19.05 / <i>0.750</i>	22.23 / <i>0.875</i>
K5	22.23 / <i>0.875</i>	25.4 / <i>1.000</i>
K6	25.4 / <i>1.000</i>	28.45 / <i>1.120</i>
K7	28.45 / <i>1.120</i>	31.75 / <i>1.250</i>
K8	32.77 / <i>1.290</i>	38.1 / <i>1.500</i>
K9	39.62 / <i>1.560</i>	41.28 / <i>1.625</i>
K10	41.28 / <i>1.625</i>	44.45 / <i>1.750</i>

DIMENSIONS IN ITALIC ARE INCHES.

1. DIMENSION L WILL VARY FROM THE VALUES INDICATED WITH ESCALATING OR DE-ESCALATING BACKSHELLS AND SOME SPECIAL INSERT CONFIGURATIONS.

06LCGG*/06LCGGG*



SCPB06LCGG* Environmental with grommet
SCPB06LCGGG* Environmental, no grommet

SHELL SIZE	FRONT VIEW		SIDE VIEW
	D DIA.	E DIA.	L MAX
10SL	33.5 / <i>1.319</i>	28.5 / <i>1.122</i>	103.6 / <i>4.077</i>
14S	40.2 / <i>1.583</i>	32.5 / <i>1.280</i>	103.6 / <i>4.077</i>
16S	* / *	* / *	103.6 / <i>4.077</i>
16	* / *	* / *	113.6 / <i>4.471</i>
18	49.0 / <i>1.929</i>	43.5 / <i>1.713</i>	113.6 / <i>4.471</i>
20	51.5 / <i>2.028</i>	46.0 / <i>1.811</i>	119.6 / <i>4.707</i>
22	56.5 / <i>2.224</i>	50.5 / <i>1.988</i>	119.6 / <i>4.707</i>
24	60.0 / <i>2.362</i>	54.0 / <i>2.126</i>	123.5 / <i>4.864</i>
28	67.0 / <i>2.638</i>	61.0 / <i>2.402</i>	132.6 / <i>5.219</i>
32	76.0 / <i>2.992</i>	67.6 / <i>2.661</i>	148.6 / <i>5.849</i>
36	82.3 / <i>3.240</i>	74.3 / <i>2.925</i>	148.6 / <i>5.849</i>
40	88.0 / <i>3.465</i>	80.0 / <i>3.150</i>	148.6 / <i>5.849</i>

K*	CABLE RANGE	
	MIN	MAX
K0	6.35 / <i>0.250</i>	9.53 / <i>0.375</i>
K1	9.53 / <i>0.375</i>	12.7 / <i>0.500</i>
K2	12.7 / <i>0.500</i>	15.87 / <i>0.625</i>
K3	15.87 / <i>0.625</i>	19.05 / <i>0.750</i>
K4	19.05 / <i>0.750</i>	22.23 / <i>0.875</i>
K5	22.23 / <i>0.875</i>	25.40 / <i>1.000</i>
K6	25.4 / <i>1.000</i>	28.45 / <i>1.120</i>
K7	28.45 / <i>1.120</i>	31.75 / <i>1.250</i>
K8	32.77 / <i>1.290</i>	38.10 / <i>1.500</i>
K9	39.62 / <i>1.560</i>	41.28 / <i>1.625</i>
K10	41.28 / <i>1.625</i>	44.45 / <i>1.750</i>

DIMENSIONS IN ITALIC ARE INCHES.

* CONSULT FACTORY FOR DIMENSIONS.

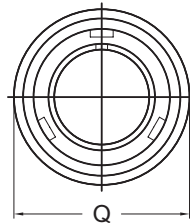
NOTE 1. DIMENSIONS A AND F WILL VARY FROM THE VALUES INDICATED WITH ESCALATING OR DE-ESCALATING BACKSHELLS AND SOME SPECIAL INSERT ARRANGEMENTS. CONSULT FACTORY FOR VERIFICATION.

STRAIGHT PLUG

06LCF*/06LCFZ*

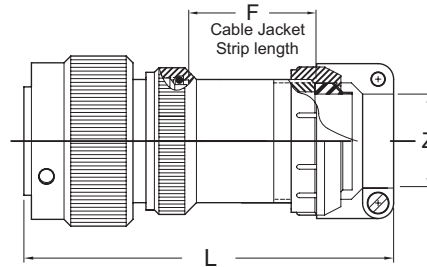
1C

FRONT VIEW



SCPB06LCF*
SCPB06LCFZ*

SIDE VIEW



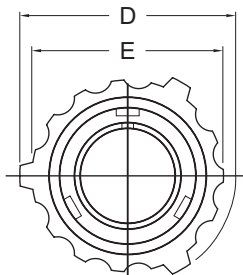
Environmental, no grommet
Environmental with grommet

SHELL SIZE	FRONT VIEW		SIDE VIEW			
	Q MAX	F REF	L MAX	Z		
				OPEN	CLOSED	
10SL	22.8 / <i>0.898</i>	42.0 / <i>1.654</i>	101 / <i>3.976</i>	7.93 / <i>0.312</i>	2.38 / <i>0.094</i>	
14S	29.2 / <i>1.150</i>	42.6 / <i>1.677</i>	101 / <i>3.976</i>	11.12 / <i>0.438</i>	5.84 / <i>0.230</i>	
16S	33.0 / <i>1.299</i>	42.6 / <i>1.677</i>	101 / <i>3.976</i>	13.48 / <i>0.531</i>	8.0 / <i>0.315</i>	
16	33.0 / <i>1.299</i>	42.6 / <i>1.677</i>	114 / <i>4.488</i>	13.48 / <i>0.531</i>	8.0 / <i>0.315</i>	
18	36.5 / <i>1.437</i>	45.8 / <i>1.803</i>	119 / <i>4.685</i>	15.87 / <i>0.625</i>	9.6 / <i>0.378</i>	
20	39.9 / <i>1.571</i>	45.9 / <i>1.807</i>	119 / <i>4.685</i>	19.00 / <i>0.748</i>	11.3 / <i>0.445</i>	
22	43.1 / <i>1.697</i>	45.9 / <i>1.807</i>	119 / <i>4.685</i>	19.00 / <i>0.748</i>	11.3 / <i>0.445</i>	
24	46.6 / <i>1.835</i>	44.5 / <i>1.752</i>	124 / <i>4.882</i>	23.80 / <i>0.937</i>	15.5 / <i>0.610</i>	
28	53.4 / <i>2.102</i>	49.5 / <i>1.949</i>	130 / <i>5.118</i>	23.80 / <i>0.937</i>	15.5 / <i>0.610</i>	
32	60.1 / <i>2.366</i>	49.6 / <i>1.953</i>	137 / <i>5.394</i>	31.75 / <i>1.250</i>	23.4 / <i>0.921</i>	
36	66.3 / <i>2.610</i>	50.0 / <i>1.969</i>	144 / <i>5.669</i>	35.00 / <i>1.378</i>	23.4 / <i>0.921</i>	
40	72.4 / <i>2.850</i>	50.0 / <i>1.969</i>	144 / <i>5.669</i>	41.25 / <i>1.624</i>	29.9 / <i>1.177</i>	

DIMENSIONS IN ITALIC ARE INCHES.

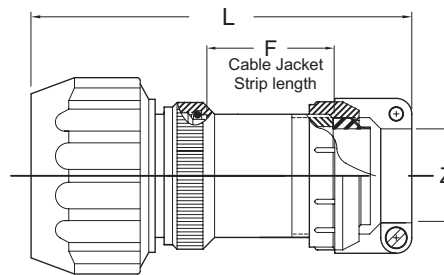
06LCFGG*/06LCFZGG*

FRONT VIEW



SCPB06LCFGG*
SCPB06LCFZGG*

SIDE VIEW



Environmental, no grommet
Environmental with grommet

SHELL SIZE	FRONT VIEW		SIDE VIEW			
	D DIA.	E DIA.	F REF	L MAX	Z	
					OPEN	CLOSED
10SL	33.5 / <i>1.319</i>	28.5 / <i>1.122</i>	42.0 / <i>1.654</i>	104.5 / <i>4.116</i>	7.93 / <i>0.312</i>	2.38 / <i>0.094</i>
14S	40.2 / <i>1.583</i>	32.5 / <i>1.280</i>	42.6 / <i>1.677</i>	104.5 / <i>4.116</i>	11.12 / <i>0.438</i>	5.84 / <i>0.230</i>
16S	* / *	* / *	42.6 / <i>1.677</i>	104.5 / <i>4.116</i>	13.48 / <i>0.531</i>	8.0 / <i>0.315</i>
16	* / *	* / *	42.6 / <i>1.677</i>	117.6 / <i>4.628</i>	13.48 / <i>0.531</i>	8.0 / <i>0.315</i>
18	49.0 / <i>1.929</i>	43.5 / <i>1.713</i>	45.8 / <i>1.803</i>	122.6 / <i>4.825</i>	15.87 / <i>0.625</i>	9.6 / <i>0.378</i>
20	51.5 / <i>2.028</i>	46.0 / <i>1.811</i>	45.9 / <i>1.807</i>	122.6 / <i>4.825</i>	19.00 / <i>0.748</i>	11.3 / <i>0.445</i>
22	56.5 / <i>2.224</i>	50.5 / <i>1.988</i>	45.9 / <i>1.807</i>	122.6 / <i>4.825</i>	19.00 / <i>0.748</i>	11.3 / <i>0.445</i>
24	60.0 / <i>2.362</i>	54.0 / <i>2.126</i>	44.5 / <i>1.752</i>	127.6 / <i>5.022</i>	23.80 / <i>0.937</i>	15.5 / <i>0.610</i>
28	67.0 / <i>2.638</i>	61.0 / <i>2.402</i>	49.5 / <i>1.949</i>	133.6 / <i>5.258</i>	23.80 / <i>0.937</i>	15.5 / <i>0.610</i>
32	76.0 / <i>2.992</i>	67.6 / <i>2.661</i>	49.6 / <i>1.953</i>	140.6 / <i>5.534</i>	31.75 / <i>1.250</i>	23.4 / <i>0.921</i>
36	82.3 / <i>3.240</i>	74.3 / <i>2.925</i>	50.0 / <i>1.969</i>	147.5 / <i>5.809</i>	35.00 / <i>1.378</i>	23.4 / <i>0.921</i>
40	88.0 / <i>3.465</i>	80.0 / <i>3.150</i>	50.0 / <i>1.969</i>	147.5 / <i>5.809</i>	41.25 / <i>1.624</i>	29.9 / <i>1.177</i>

DIMENSIONS IN ITALIC ARE INCHES.

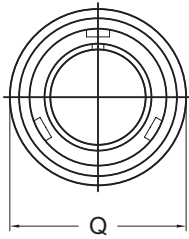
* CONSULT FACTORY FOR DIMENSIONS.

NOTE 1. DIMENSIONS L AND F WILL VARY FROM THE VALUES INDICATED WITH ESCALATING OR DE-ESCALATING BACKSHELLS AND SOME SPECIAL INSERT ARRANGEMENTS. CONSULT FACTORY FOR VERIFICATION.

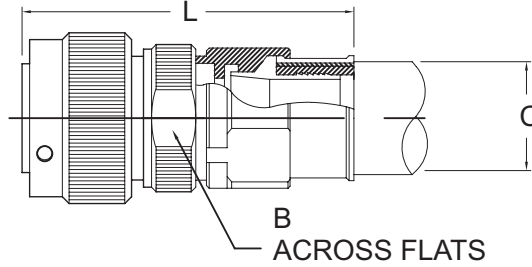
STRAIGHT PLUG

06NM*/06NMG*

FRONT VIEW



SIDE VIEW



SCPB06NM*
SCPB06NMG*

Environmental with grommet
Environmental, no grommet

SHELL SIZE	FRONT VIEW	SIDE VIEW	
	Q MAX	B ACROSS FLATS	L
10SL	22.8 / <i>0.898</i>	17.8 / <i>0.701</i>	Dimension L is dependent on conduit size used with each shell size. (consult factory)
14S	29.2 / <i>1.150</i>	23.8 / <i>0.937</i>	
16S	33.0 / <i>1.299</i>	25.4 / <i>1.000</i>	
16	33.0 / <i>1.299</i>	25.4 / <i>1.000</i>	
18	36.5 / <i>1.437</i>	28.6 / <i>1.126</i>	
20	39.9 / <i>1.571</i>	31.7 / <i>1.248</i>	
22	43.1 / <i>1.697</i>	34.9 / <i>1.374</i>	
24	46.6 / <i>1.835</i>	38.1 / <i>1.500</i>	
28	53.4 / <i>2.102</i>	44.4 / <i>1.748</i>	
32	60.1 / <i>2.366</i>	50.8 / <i>2.000</i>	
36	66.3 / <i>2.610</i>	57.1 / <i>2.248</i>	
40	72.4 / <i>2.850</i>	61.9 / <i>2.437</i>	

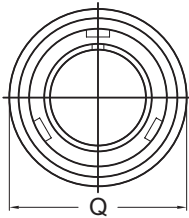
AVAILABLE CONDUIT SIZES C	CODE (***)
9.52 / 3/8	(038)
12.70 / 1/2	(050)
19.05 / 3/4	(075)
25.40 / 1	(100)
31.75 / 1 1/4	(125)
38.10 / 1 1/2	(150)
50.80 / 2	(200)

(***) Conduit Size must be specified as part of the connector part number using Conduit Code

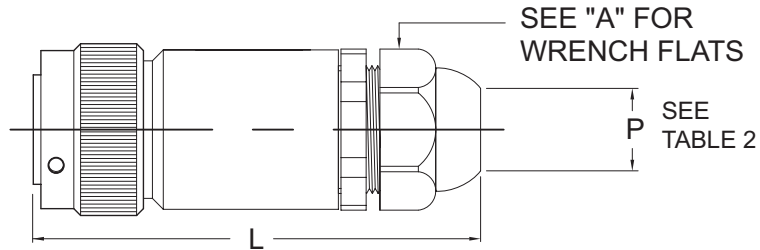
DIMENSIONS IN ITALIC ARE INCHES.

06SL*/06SL1*

FRONT VIEW



SIDE VIEW



SCPB06SL*
SCPB06SL1*

Environmental, no grommet
Environmental with grommet

TABLE 1

SHELL SIZE	FRONT VIEW	SIDE VIEW
	Q DIA. MAX.	L
10SL	22.8 / <i>0.898</i>	* Dimension L is dependent on the backshell used, the cable range and the fitting used. Consult factory.
14S	29.2 / <i>1.150</i>	
16S	33.0 / <i>1.299</i>	
16	33.0 / <i>1.299</i>	
18	36.5 / <i>1.437</i>	
20	39.9 / <i>1.571</i>	
22	43.1 / <i>1.697</i>	
24	46.6 / <i>1.835</i>	
28	53.4 / <i>2.102</i>	
32	60.1 / <i>2.366</i>	
36	66.3 / <i>2.610</i>	
40	72.4 / <i>2.850</i>	

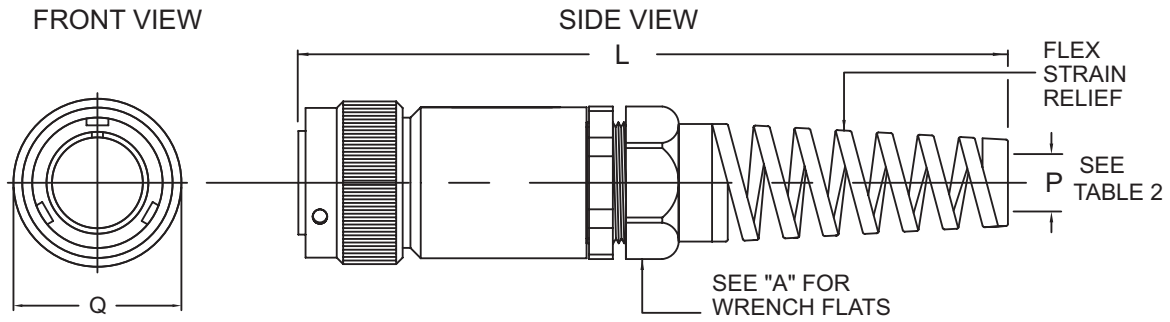
DIMENSIONS IN ITALIC ARE INCHES.

TABLE 2: CABLE RANGE CODE

(XX) CABLE CODE NO STRAIN RELIEF	TYPE	P	A
		CABLE RANGE	WRENCH FLATS
07R	PG7	2.0-5.0 / <i>0.08-0.20</i>	15.0 / <i>0.591</i>
07	PG7	3.0-6.5 / <i>0.12-0.26</i>	15.0 / <i>0.591</i>
09R	PG9	2.0-6.0 / <i>0.08-0.24</i>	19.0 / <i>0.748</i>
09	PG9	4.0-8.0 / <i>0.16-0.31</i>	19.0 / <i>0.748</i>
11R	PG11	3.0-7.0 / <i>0.12-0.28</i>	22.0 / <i>0.866</i>
11	PG11	5.0-10.0 / <i>0.20-0.39</i>	22.0 / <i>0.866</i>
13R	PG13.5	5.0-9.0 / <i>0.20-0.35</i>	24.0 / <i>0.945</i>
13	PG13.5	6.0-12.0 / <i>0.24-0.47</i>	24.0 / <i>0.945</i>
16R	PG16	7.0-12.0 / <i>0.28-0.47</i>	27.0 / <i>1.063</i>
16	PG16	10.0-14.0 / <i>0.39-0.55</i>	27.0 / <i>1.063</i>
21R	PG21	9.0-16.0 / <i>0.35-0.63</i>	33.0 / <i>1.299</i>
21	PG21	13.0-18.0 / <i>0.51-0.71</i>	33.0 / <i>1.299</i>
29R	PG29	12.0-20.0 / <i>0.47-0.79</i>	42.0 / <i>1.654</i>
29	PG29	18.0-25.0 / <i>0.71-0.98</i>	42.0 / <i>1.654</i>
36R	PG36	20.0-26.0 / <i>0.79-1.02</i>	53.0 / <i>2.087</i>
36	PG36	22.0-32.0 / <i>0.87-1.26</i>	53.0 / <i>2.087</i>
42	PG42	30.0-38.0 / <i>1.18-1.50</i>	60.0 / <i>2.362</i>
48	PG48	34.0-44.0 / <i>1.34-1.73</i>	65.0 / <i>2.559</i>

STRAIGHT PLUG

06SLX*/06SLX1*



SCPBO6SLX* Environmental, no grommet
 SCPB06SLX1* Environmental with grommet

TABLE 1

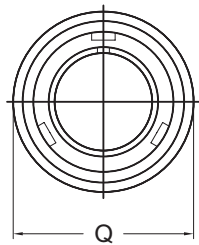
SHELL SIZE	FRONT VIEW	SIDE VIEW
	Q DIA. MAX.	L
10SL	22.8 / <i>0.898</i>	* Dimension L is dependent on the backshell used, the cable range and the fitting used. Consult factory.
14S	29.2 / <i>1.150</i>	
16S	33.0 / <i>1.299</i>	
16	33.0 / <i>1.299</i>	
18	36.5 / <i>1.437</i>	
20	39.9 / <i>1.571</i>	
22	43.1 / <i>1.697</i>	
24	46.6 / <i>1.835</i>	
28	53.4 / <i>2.102</i>	
32	60.1 / <i>2.366</i>	
36	66.3 / <i>2.610</i>	
40	72.4 / <i>2.850</i>	

DIMENSIONS IN ITALIC ARE INCHES.
 * CONSULT FACTORY

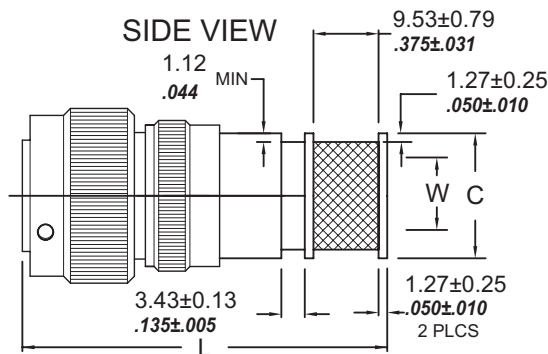
TABLE 2: CABLE RANGE CODE

(XX) CABLE CODE	TYPE	P	A
FLEX STRAIN RELIEF		CABLE RANGE	WRENCH FLATS
SPB07R	PG7	2.0-5.0 / <i>0.08-0.20</i>	15.0 / <i>0.591</i>
SPB07	PG7	3.0-6.5 / <i>0.12-0.26</i>	15.0 / <i>0.591</i>
SPB09R	PG9	2.0-6.0 / <i>0.08-0.24</i>	19.0 / <i>0.748</i>
SPB09	PG9	4.0-8.0 / <i>0.16-0.31</i>	19.0 / <i>0.748</i>
SPB11R	PG11	3.0-7.0 / <i>0.12-0.28</i>	22.0 / <i>0.866</i>
SPB11	PG11	5.0-10.0 / <i>0.20-0.39</i>	22.0 / <i>0.866</i>
SPB13R	PG13.5	5.0-9.0 / <i>0.20-0.35</i>	24.0 / <i>0.945</i>
SPB13	PG13.5	6.0-12.0 / <i>0.24-0.47</i>	24.0 / <i>0.945</i>
SPB16R	PG16	7.0-12.0 / <i>0.28-0.47</i>	27.0 / <i>1.063</i>
SPB16	PG16	10.0-14.0 / <i>0.39-0.55</i>	27.0 / <i>1.063</i>
SPB21R	PG21	9.0-16.0 / <i>0.35-0.63</i>	33.0 / <i>1.299</i>
SPB21	PG21	13.0-18.0 / <i>0.51-0.71</i>	33.0 / <i>1.299</i>
SPB29R	PG29	12.0-20.0 / <i>0.47-0.79</i>	42.0 / <i>1.654</i>
SPB29	PG29	18.0-25.0 / <i>0.71-0.98</i>	42.0 / <i>1.654</i>
SPB36R	PG36	20.0-26.0 / <i>0.79-1.02</i>	53.0 / <i>2.087</i>
SPB36	PG36	22.0-32.0 / <i>0.87-1.26</i>	53.0 / <i>2.087</i>
SPB42	PG42	30.0-38.0 / <i>1.18-1.50</i>	60.0 / <i>2.362</i>
SPB48	PG48	34.0-44.0 / <i>1.34-1.73</i>	65.0 / <i>2.559</i>

FRONT VIEW



SIDE VIEW



SCPBO6STG* Environmental, no grommet with spin coupling nut backshell
 SCPB06ST* Environmental with grommet with spin coupling nut backshell

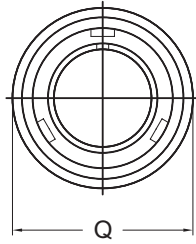
SHELL SIZE	FRONT VIEW	SIDE VIEW		
	Q MAX	C MAX	L MAX	W MIN
10SL	22.8 / <i>0.898</i>	12.70 / <i>0.500</i>	61.0 / <i>2.400</i>	7.92 / <i>0.312</i>
14S	29.2 / <i>1.150</i>	16.00 / <i>0.630</i>	61.6 / <i>2.425</i>	11.18 / <i>0.440</i>
16S	33.0 / <i>1.299</i>	17.78 / <i>0.700</i>	61.0 / <i>2.400</i>	12.70 / <i>0.500</i>
16	33.0 / <i>1.299</i>	17.78 / <i>0.700</i>	66.7 / <i>2.625</i>	12.70 / <i>0.500</i>
18	36.5 / <i>1.437</i>	20.57 / <i>0.810</i>	66.7 / <i>2.625</i>	15.87 / <i>0.625</i>
20	39.9 / <i>1.571</i>	20.57 / <i>0.810</i>	66.7 / <i>2.625</i>	15.87 / <i>0.625</i>
22	43.1 / <i>1.697</i>	22.10 / <i>0.870</i>	66.7 / <i>2.625</i>	17.53 / <i>0.690</i>
24	46.6 / <i>1.835</i>	23.87 / <i>0.940</i>	68.6 / <i>2.700</i>	19.05 / <i>0.750</i>
28	53.4 / <i>2.102</i>	26.90 / <i>1.060</i>	68.6 / <i>2.700</i>	22.23 / <i>0.875</i>
32	60.1 / <i>2.366</i>	CONSULT SALES	CONSULT SALES	CONSULT SALES
36	66.3 / <i>2.610</i>			
40	72.4 / <i>2.850</i>			

DIMENSIONS IN ITALIC ARE INCHES.

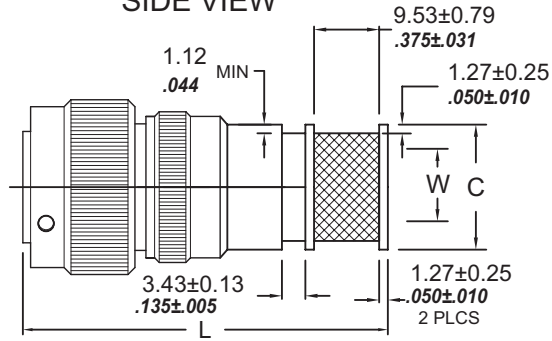
STRAIGHT PLUG

06SUG*/06SU*

FRONT VIEW



SIDE VIEW



SCPBO6SUG*
SCPBO6SU*

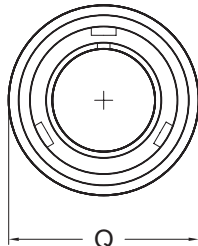
Environmental, no grommet with solid backshell
Environmental with grommet with solid backshell

SHELL SIZE	FRONT VIEW	SIDE VIEW		
	Q MAX	C MAX	L MAX	W MIN
10SL	22.8 / <i>0.898</i>	12.70 / <i>0.500</i>	61.0 / <i>2.400</i>	7.92 / <i>0.312</i>
14S	29.2 / <i>1.150</i>	16.00 / <i>0.630</i>	61.6 / <i>2.425</i>	11.18 / <i>0.440</i>
16S	33.0 / <i>1.299</i>	17.78 / <i>0.700</i>	61.0 / <i>2.400</i>	12.70 / <i>0.500</i>
16	33.0 / <i>1.299</i>	17.78 / <i>0.700</i>	66.7 / <i>2.625</i>	12.70 / <i>0.500</i>
18	36.5 / <i>1.437</i>	20.57 / <i>0.810</i>	66.7 / <i>2.625</i>	15.87 / <i>0.625</i>
20	39.9 / <i>1.571</i>	20.57 / <i>0.810</i>	66.7 / <i>2.625</i>	15.87 / <i>0.625</i>
22	43.1 / <i>1.697</i>	22.10 / <i>0.870</i>	66.7 / <i>2.625</i>	17.53 / <i>0.690</i>
24	46.6 / <i>1.835</i>	23.87 / <i>0.940</i>	68.6 / <i>2.700</i>	19.05 / <i>0.750</i>
28	53.4 / <i>2.102</i>	26.90 / <i>1.060</i>	68.6 / <i>2.700</i>	22.23 / <i>0.875</i>
32	60.1 / <i>2.366</i>	CONSULT SALES	CONSULT SALES	CONSULT SALES
36	66.3 / <i>2.610</i>			
40	72.4 / <i>2.850</i>			

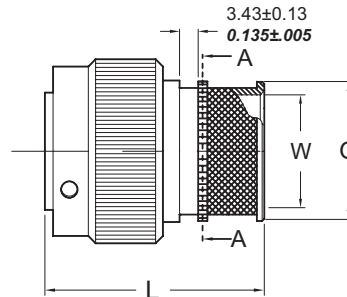
DIMENSIONS IN ITALIC ARE INCHES.

06SV*

FRONT VIEW



SIDE VIEW



SHELL SIZES:
10SL, 14S & 16S
6.35±0.13
0.250±.005
FOR .125 BAND

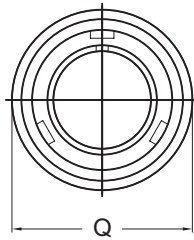
SHELL SIZES:
16-40
9.14±0.13
0.360±.005
FOR .240 BAND

SCPBO6SV* Environmental, no grommet
SCPBG06SV* Environmental, no grommet with grounding spring

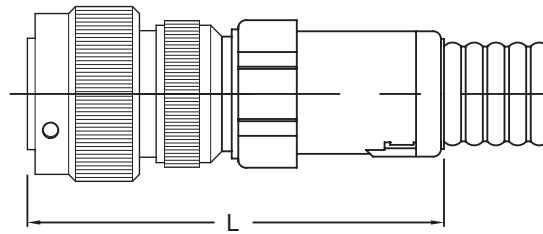
SHELL SIZE	FRONT VIEW	SIDE VIEW				
	Q MAX	G ±0.2 / ±.008	L MAX	W MIN	X ±0.4 / ±.016	
					.240 BAND	.125 BAND
10SL	22.8 / <i>0.898</i>	16.1 / <i>0.632</i>	35.56 / <i>1.400</i>	12.1 / <i>0.475</i>	-	7.9 / <i>0.310</i>
14S	29.2 / <i>1.150</i>	19.2 / <i>0.755</i>	35.56 / <i>1.400</i>	15.4 / <i>0.605</i>	-	7.9 / <i>0.310</i>
16S	33.0 / <i>1.299</i>	22.4 / <i>0.880</i>	35.56 / <i>1.400</i>	18.7 / <i>0.735</i>	-	7.9 / <i>0.310</i>
16	33.0 / <i>1.299</i>	22.4 / <i>0.880</i>	43.82 / <i>1.725</i>	18.7 / <i>0.735</i>	4.7 / <i>0.185</i>	-
18	36.5 / <i>1.437</i>	25.5 / <i>1.005</i>	43.82 / <i>1.725</i>	21.9 / <i>0.860</i>	4.7 / <i>0.185</i>	-
20	39.9 / <i>1.571</i>	28.7 / <i>1.130</i>	43.82 / <i>1.725</i>	24.8 / <i>0.975</i>	4.7 / <i>0.185</i>	-
22	43.1 / <i>1.697</i>	31.9 / <i>1.255</i>	43.82 / <i>1.725</i>	28.1 / <i>1.105</i>	4.7 / <i>0.185</i>	-
24	46.6 / <i>1.835</i>	35.1 / <i>1.380</i>	43.82 / <i>1.725</i>	31.2 / <i>1.230</i>	4.7 / <i>0.185</i>	-
28	53.4 / <i>2.102</i>	41.4 / <i>1.630</i>	43.82 / <i>1.725</i>	35.9 / <i>1.415</i>	4.7 / <i>0.185</i>	-
32	60.1 / <i>2.366</i>	47.8 / <i>1.880</i>	43.82 / <i>1.725</i>	43.1 / <i>1.695</i>	4.7 / <i>0.185</i>	-
36	66.3 / <i>2.610</i>	52.5 / <i>2.067</i>	43.82 / <i>1.725</i>	48.0 / <i>1.890</i>	4.7 / <i>0.185</i>	-
40	72.4 / <i>2.850</i>	58.9 / <i>2.317</i>	43.82 / <i>1.725</i>	53.8 / <i>2.120</i>	4.7 / <i>0.185</i>	-

DIMENSIONS IN ITALIC ARE INCHES.

FRONT VIEW



SIDE VIEW



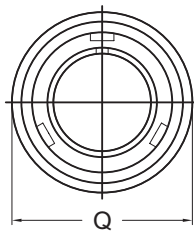
SCPB06TRAC* Environmental with grommet

SHELL SIZE	FRONT VIEW	SIDE VIEW
	Q MAX	L
10SL	22.8 / <i>0.898</i>	* Dimension L is dependent on the backshell used, the cable range and the fitting used. Consult factory.
14S	29.2 / <i>1.150</i>	
16S	33.0 / <i>1.299</i>	
16	33.0 / <i>1.299</i>	
18	36.5 / <i>1.437</i>	
20	39.9 / <i>1.571</i>	
22	43.1 / <i>1.697</i>	
24	46.6 / <i>1.835</i>	
28	53.4 / <i>2.102</i>	
32	60.1 / <i>2.366</i>	
36	66.3 / <i>2.610</i>	
40	72.4 / <i>2.850</i>	

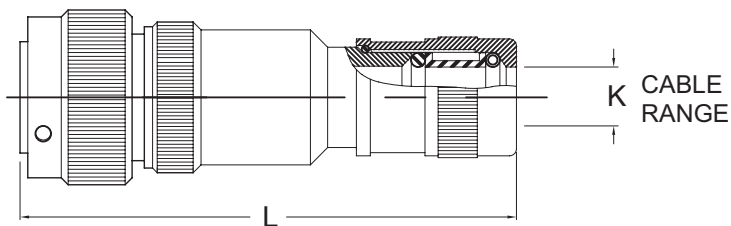
DIMENSIONS IN ITALIC ARE INCHES.

06WK*/06WKG*

FRONT VIEW



SIDE VIEW



SCPB06WK* Environmental with grommet
SCPB06WKG* Environmental, no grommet

SHELL SIZE	FRONT VIEW	SIDE VIEW
	Q MAX	L ¹ MAX
10SL	22.8 / <i>0.898</i>	111 / <i>4.370</i>
14S	29.2 / <i>1.150</i>	112 / <i>4.409</i>
16S	33.0 / <i>1.299</i>	100 / <i>3.937</i>
16	33.0 / <i>1.299</i>	110 / <i>4.331</i>
18	36.5 / <i>1.437</i>	127 / <i>5.000</i>
20	39.9 / <i>1.571</i>	127 / <i>5.000</i>
22	43.1 / <i>1.697</i>	133 / <i>5.236</i>
24	46.6 / <i>1.835</i>	134 / <i>5.276</i>
28	53.4 / <i>2.102</i>	134 / <i>5.276</i>
32	60.1 / <i>2.366</i>	136 / <i>5.354</i>
36	66.3 / <i>2.610</i>	136 / <i>5.354</i>
40	72.4 / <i>2.850</i>	136 / <i>5.354</i>

DIMENSIONS IN ITALIC ARE INCHES.

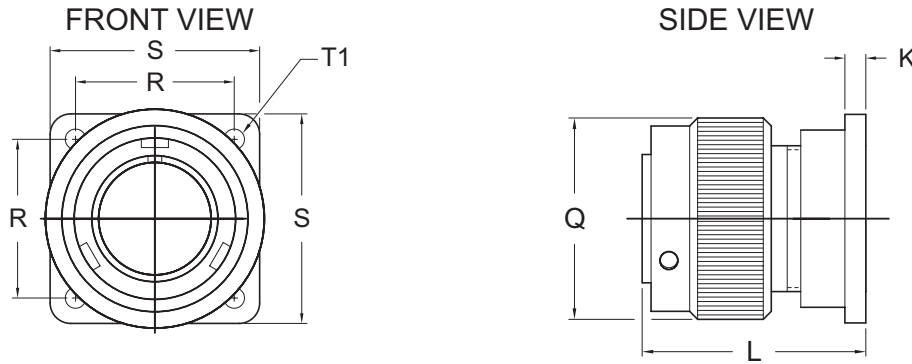
1. DIMENSION L WILL VARY FROM THE VALUES INDICATED WITH ESCALATING OR DE-ESCALATING BACKSHELLS AND SOME SPECIAL INSERT CONFIGURATIONS.

(**) CABLE RANGE CODE	K	
	MIN	MAX
01	1.59 / <i>0.063</i>	3.18 / <i>0.125</i>
02	3.18 / <i>0.125</i>	6.35 / <i>0.250</i>
03	6.35 / <i>0.250</i>	9.53 / <i>0.375</i>
04	9.53 / <i>0.375</i>	12.70 / <i>0.500</i>
05	12.70 / <i>0.500</i>	15.88 / <i>0.625</i>
06	15.88 / <i>0.625</i>	19.05 / <i>0.750</i>
07	19.05 / <i>0.750</i>	22.23 / <i>0.875</i>
08	22.23 / <i>0.875</i>	25.40 / <i>1.000</i>
09	25.40 / <i>1.000</i>	28.58 / <i>1.125</i>
10	28.58 / <i>1.125</i>	31.75 / <i>1.250</i>
11	31.75 / <i>1.250</i>	34.93 / <i>1.375</i>
12	34.93 / <i>1.375</i>	38.10 / <i>1.500</i>
13	38.10 / <i>1.500</i>	41.23 / <i>1.623</i>
14	41.23 / <i>1.623</i>	44.45 / <i>1.750</i>
15	44.45 / <i>1.750</i>	47.63 / <i>1.875</i>
16	47.63 / <i>1.875</i>	50.80 / <i>2.000</i>

(**) Cable Range must be specified as part of the connector part number using Cable Range Code.

PANEL MOUNT PLUG

064PP*

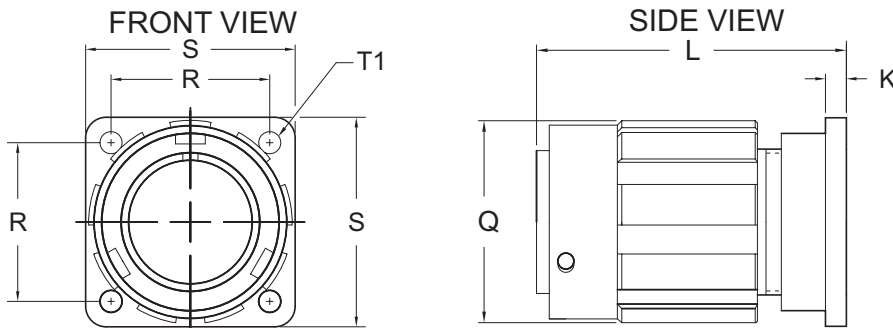


SCPB064PP* Environmental when used with sealing gasket

SHELL SIZE	FRONT VIEW			SIDE VIEW		
	R ±0.1/ ±.004	S ±0.8/ ±.031	T1 +0.2/ +.008 -0.1/ -.004	K +0.5/ +.020 -0.2/ -.008	L MAX.	Q MAX.
10SL	18.2/ <i>0.717</i>	25.4/ <i>1.000</i>	3.2/ <i>0.126</i>	2.8/ <i>0.110</i>	29.9/ <i>1.177</i>	22.8/ <i>0.898</i>
14S	23.0/ <i>0.906</i>	30.0/ <i>1.181</i>	3.2/ <i>0.126</i>	3.2/ <i>0.126</i>	29.9/ <i>1.177</i>	29.2/ <i>1.150</i>
16S	24.6/ <i>0.969</i>	32.5/ <i>1.280</i>	3.2/ <i>0.126</i>	3.2/ <i>0.126</i>	35.1/ <i>1.382</i>	33.0/ <i>1.299</i>
16	24.6/ <i>0.969</i>	32.5/ <i>1.280</i>	3.2/ <i>0.126</i>	3.2/ <i>0.126</i>	35.1/ <i>1.382</i>	33.0/ <i>1.299</i>
18	27.0/ <i>1.063</i>	35.0/ <i>1.378</i>	3.2/ <i>0.126</i>	3.2/ <i>0.126</i>	40.2/ <i>1.583</i>	36.5/ <i>1.437</i>
20	29.4/ <i>1.157</i>	38.0/ <i>1.496</i>	3.2/ <i>0.126</i>	3.2/ <i>0.126</i>	43.8/ <i>1.724</i>	39.9/ <i>1.571</i>
22	31.8/ <i>1.252</i>	41.0/ <i>1.614</i>	3.2/ <i>0.126</i>	3.8/ <i>0.150</i>	43.8/ <i>1.724</i>	43.1/ <i>1.697</i>
24	34.9/ <i>1.374</i>	44.5/ <i>1.752</i>	3.7/ <i>0.146</i>	3.8/ <i>0.150</i>	43.8/ <i>1.724</i>	46.6/ <i>1.835</i>
28	39.7/ <i>1.563</i>	50.8/ <i>2.000</i>	3.7/ <i>0.146</i>	4.0/ <i>0.157</i>	44.0/ <i>1.732</i>	53.4/ <i>2.102</i>
32	44.5/ <i>1.752</i>	57.0/ <i>2.244</i>	4.3/ <i>0.169</i>	4.0/ <i>0.157</i>	45.1/ <i>1.776</i>	60.1/ <i>2.366</i>
36	49.2/ <i>1.937</i>	63.5/ <i>2.500</i>	4.3/ <i>0.169</i>	4.0/ <i>0.157</i>	45.1/ <i>1.776</i>	66.3/ <i>2.610</i>
40	55.5/ <i>2.185</i>	69.9/ <i>2.752</i>	5.2/ <i>0.205</i>	4.0/ <i>0.157</i>	45.1/ <i>1.776</i>	72.4/ <i>2.850</i>

DIMENSIONS IN ITALIC ARE INCHES.

064PPFR*



SCPB064PPFR* Environmental when used with sealing gasket.

EXAMPLE PART NUMBER: SCPB064PPFR*

FINISH: BLACK ANODIZE

CONTACTS: F80 SILVER PLATED CRIMP CONTACTS

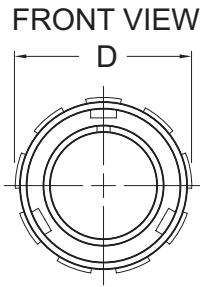
SHELL SIZE	FRONT VIEW			SIDE VIEW		
	R ±0.1/ ±.004	S ±0.8/ ±.031	T1 +0.2/ +.008 -0.1/ -.004	K +0.5/ +.020 -0.2/ -.008	L MAX.	Q MAX.
10SL	18.2/ <i>0.717</i>	25.4/ <i>1.000</i>	3.2/ <i>0.126</i>	2.8/ <i>0.110</i>	29.9/ <i>1.177</i>	25.3/ <i>0.996</i>
14S	23.0/ <i>0.906</i>	30.0/ <i>1.181</i>	3.2/ <i>0.126</i>	3.2/ <i>0.126</i>	29.9/ <i>1.177</i>	31.7/ <i>1.248</i>
16S	24.6/ <i>0.969</i>	32.5/ <i>1.280</i>	3.2/ <i>0.126</i>	3.2/ <i>0.126</i>	35.1/ <i>1.382</i>	35.9/ <i>1.413</i>
16	24.6/ <i>0.969</i>	32.5/ <i>1.280</i>	3.2/ <i>0.126</i>	3.2/ <i>0.126</i>	35.1/ <i>1.382</i>	35.9/ <i>1.413</i>
18	27.0/ <i>1.063</i>	35.0/ <i>1.378</i>	3.2/ <i>0.126</i>	3.2/ <i>0.126</i>	40.2/ <i>1.583</i>	39.5/ <i>1.555</i>
20	29.4/ <i>1.157</i>	38.0/ <i>1.496</i>	3.2/ <i>0.126</i>	3.2/ <i>0.126</i>	43.8/ <i>1.724</i>	42.9/ <i>1.689</i>
22	31.8/ <i>1.252</i>	41.0/ <i>1.614</i>	3.2/ <i>0.126</i>	3.8/ <i>0.150</i>	43.8/ <i>1.724</i>	46.1/ <i>1.815</i>
24	34.9/ <i>1.374</i>	44.5/ <i>1.752</i>	3.7/ <i>0.146</i>	3.8/ <i>0.150</i>	43.8/ <i>1.724</i>	49.5/ <i>1.949</i>
28	39.7/ <i>1.563</i>	50.8/ <i>2.000</i>	3.7/ <i>0.146</i>	4.0/ <i>0.157</i>	44.0/ <i>1.732</i>	56.9/ <i>2.240</i>
32	44.5/ <i>1.752</i>	57.0/ <i>2.244</i>	4.3/ <i>0.169</i>	4.0/ <i>0.157</i>	45.1/ <i>1.776</i>	63.7/ <i>2.508</i>
36	49.2/ <i>1.937</i>	63.5/ <i>2.500</i>	4.3/ <i>0.169</i>	4.0/ <i>0.157</i>	45.1/ <i>1.776</i>	70.1/ <i>2.760</i>
40	55.5/ <i>2.185</i>	69.9/ <i>2.752</i>	5.2/ <i>0.205</i>	4.0/ <i>0.157</i>	45.1/ <i>1.776</i>	75.7/ <i>2.980</i>

DIMENSIONS IN ITALIC ARE INCHES.

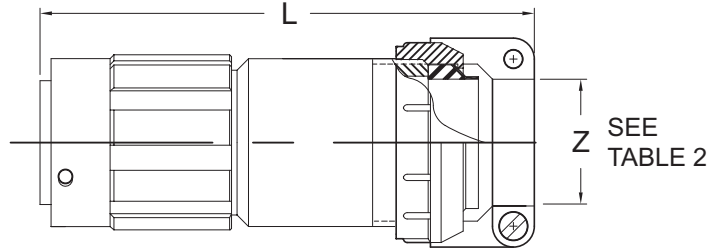
STRAIGHT PLUG

065FR**(C)

1C



SIDE VIEW



EXAMPLE PART NUMBER: SCPB065FR24-28P-08C

FINISH: BLACK ANODIZE
CONTACTS: F80 SILVER PLATED CRIMP CONTACTS

SEE TABLE 2 BELOW
(04C THRU 32C)

TABLE 1

	FRONT VIEW	SIDE VIEW
SHELL SIZE	D DIA. MAX.	L
10SL	25.3/ <i>0.996</i>	* Dimension L is dependent on the backshell used, the cable range and the fitting used. Consult factory.
14S	31.7/ <i>1.248</i>	
16S	35.9/ <i>1.413</i>	
16	35.9/ <i>1.413</i>	
18	39.5/ <i>1.555</i>	
20	42.9/ <i>1.689</i>	
22	46.1/ <i>1.815</i>	
24	49.5/ <i>1.949</i>	
28	56.9/ <i>2.240</i>	
32	63.7/ <i>2.508</i>	
36	70.1/ <i>2.760</i>	
40	75.7/ <i>2.980</i>	

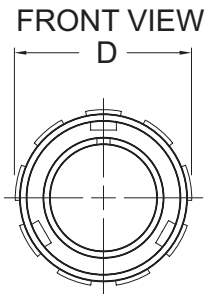
* CONSULT FACTORY

TABLE 2: CLAMP CODE

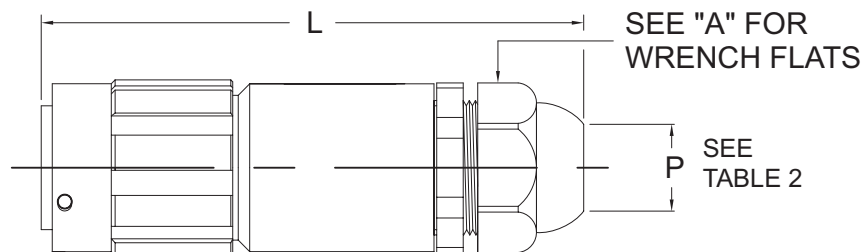
(XX) CLAMP CODE	Z - CABLE RANGE	
	OPEN	CLOSED
04C	7.92/ <i>0.312</i>	2.40/ <i>0.094</i>
06C	11.12/ <i>0.438</i>	5.84/ <i>0.230</i>
08C	13.48/ <i>0.531</i>	8.0/ <i>0.315</i>
10C	15.87/ <i>0.625</i>	9.6/ <i>0.378</i>
12C	19.00/ <i>0.748</i>	11.3/ <i>0.445</i>
16C	23.80/ <i>0.937</i>	15.5/ <i>0.610</i>
20C	31.75/ <i>1.250</i>	23.4/ <i>0.921</i>
24C	35.00/ <i>1.378</i>	23.4/ <i>0.921</i>
28C	41.25/ <i>1.624</i>	29.9/ <i>1.177</i>
32C	47.60/ <i>1.874</i>	34.9/ <i>1.374</i>

DIMENSIONS IN ITALIC ARE INCHES.

065FR**(PG)



SIDE VIEW



EXAMPLE PART NUMBER: SCPB065FR24-28P-11R

FINISH: BLACK ANODIZE
CONTACTS: F80 SILVER PLATED CRIMP CONTACTS

SEE TABLE 2 BELOW
(07R THRU 48)

TABLE 1

	FRONT VIEW	SIDE VIEW
SHELL SIZE	D DIA. MAX.	L
10SL	25.3/ <i>0.996</i>	* Dimension L is dependent on the backshell used, the cable range and the fitting used. Consult factory.
14S	31.7/ <i>1.248</i>	
16S	35.9/ <i>1.413</i>	
16	35.9/ <i>1.413</i>	
18	39.5/ <i>1.555</i>	
20	42.9/ <i>1.689</i>	
22	46.1/ <i>1.815</i>	
24	49.5/ <i>1.949</i>	
28	56.9/ <i>2.240</i>	
32	63.7/ <i>2.508</i>	
36	70.1/ <i>2.760</i>	
40	75.7/ <i>2.980</i>	

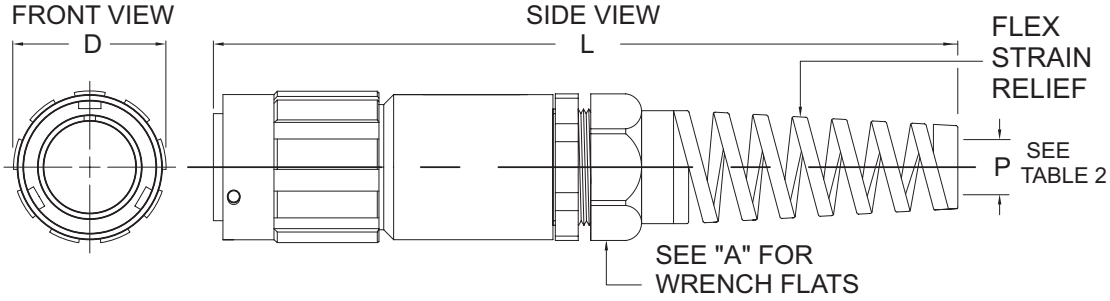
DIMENSIONS IN ITALIC ARE INCHES.
* CONSULT FACTORY

TABLE 2: CLAMP CODE

(XX) CABLE CODE	TYPE	P CABLE RANGE	A WRENCH FLATS
NO STRAIN RELIEF			
07R	PG7	2.0-5.0 / <i>0.08-0.20</i>	15.0 / <i>0.591</i>
07	PG7	3.0-6.5 / <i>0.12-0.26</i>	15.0 / <i>0.591</i>
09R	PG9	2.0-6.0 / <i>0.08-0.24</i>	19.0 / <i>0.748</i>
09	PG9	4.0-8.0 / <i>0.16-0.31</i>	19.0 / <i>0.748</i>
11R	PG11	3.0-7.0 / <i>0.12-0.28</i>	22.0 / <i>0.866</i>
11	PG11	5.0-10.0 / <i>0.20-0.39</i>	22.0 / <i>0.866</i>
13R	PG13.5	5.0-9.0 / <i>0.20-0.35</i>	24.0 / <i>0.945</i>
13	PG13.5	6.0-12.0 / <i>0.24-0.47</i>	24.0 / <i>0.945</i>
16R	PG16	7.0-12.0 / <i>0.28-0.47</i>	27.0 / <i>1.063</i>
16	PG16	10.0-14.0 / <i>0.39-0.55</i>	27.0 / <i>1.063</i>
21R	PG21	9.0-16.0 / <i>0.35-0.63</i>	33.0 / <i>1.299</i>
21	PG21	13.0-18.0 / <i>0.51-0.71</i>	33.0 / <i>1.299</i>
29R	PG29	12.0-20.0 / <i>0.47-0.79</i>	42.0 / <i>1.654</i>
29	PG29	18.0-25.0 / <i>0.71-0.98</i>	42.0 / <i>1.654</i>
36R	PG36	20.0-26.0 / <i>0.79-1.02</i>	53.0 / <i>2.087</i>
36	PG36	22.0-32.0 / <i>0.87-1.26</i>	53.0 / <i>2.087</i>
42	PG42	30.0-38.0 / <i>1.18-1.50</i>	60.0 / <i>2.362</i>
48	PG48	34.0-44.0 / <i>1.34-1.73</i>	65.0 / <i>2.559</i>

STRAIGHT PLUG

065FR**(SPB)



EXAMPLE PART NUMBER: SCPB065FR24-28P-SPB16R

FINISH: BLACK ANODIZE
CONTACTS: F80 SILVER PLATED CRIMP CONTACTS

SEE TABLE 2 BELOW
(04C THRU 32C)

TABLE 1

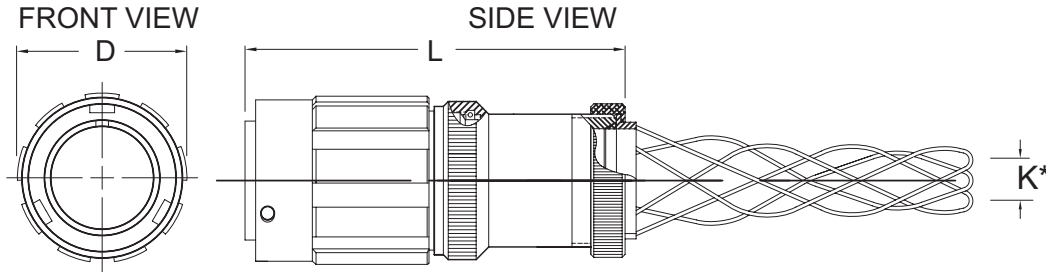
SHELL SIZE	FRONT VIEW	SIDE VIEW
	D DIA. MAX.	L
10SL	25.3 / <i>0.996</i>	* Dimension L is dependent on the backshell used, the cable range and the fitting used. Consult factory.
14S	31.7 / <i>1.248</i>	
16S	35.9 / <i>1.413</i>	
16	35.9 / <i>1.413</i>	
18	39.5 / <i>1.555</i>	
20	42.9 / <i>1.689</i>	
22	46.1 / <i>1.815</i>	
24	49.5 / <i>1.949</i>	
28	56.9 / <i>2.240</i>	
32	63.7 / <i>2.508</i>	
36	70.1 / <i>2.760</i>	
40	75.7 / <i>2.980</i>	

DIMENSIONS IN ITALIC ARE INCHES.
* CONSULT FACTORY

TABLE 2: CABLE RANGE CODE

(XX) CABLE CODE	TYPE	P	A
FLEX STRAIN RELIEF		CABLE RANGE	WRENCH FLATS
SPB07R	PG7	2.0-5.0 / <i>0.08-0.20</i>	15.0 / <i>0.591</i>
SPB07	PG7	3.0-6.5 / <i>0.12-0.26</i>	15.0 / <i>0.591</i>
SPB09R	PG9	2.0-6.0 / <i>0.08-0.24</i>	19.0 / <i>0.748</i>
SPB09	PG9	4.0-8.0 / <i>0.16-0.31</i>	19.0 / <i>0.748</i>
SPB11R	PG11	3.0-7.0 / <i>0.12-0.28</i>	22.0 / <i>0.866</i>
SPB11	PG11	5.0-10.0 / <i>0.20-0.39</i>	22.0 / <i>0.866</i>
SPB13R	PG13.5	5.0-9.0 / <i>0.20-0.35</i>	24.0 / <i>0.945</i>
SPB13	PG13.5	6.0-12.0 / <i>0.24-0.47</i>	24.0 / <i>0.945</i>
SPB16R	PG16	7.0-12.0 / <i>0.28-0.47</i>	27.0 / <i>1.063</i>
SPB16	PG16	10.0-14.0 / <i>0.39-0.55</i>	27.0 / <i>1.063</i>
SPB21R	PG21	9.0-16.0 / <i>0.35-0.63</i>	33.0 / <i>1.299</i>
SPB21	PG21	13.0-18.0 / <i>0.51-0.71</i>	33.0 / <i>1.299</i>
SPB29R	PG29	12.0-20.0 / <i>0.47-0.79</i>	42.0 / <i>1.654</i>
SPB29	PG29	18.0-25.0 / <i>0.71-0.98</i>	42.0 / <i>1.654</i>
SPB36R	PG36	20.0-26.0 / <i>0.79-1.02</i>	53.0 / <i>2.087</i>
SPB36	PG36	22.0-32.0 / <i>0.87-1.26</i>	53.0 / <i>2.087</i>
SPB42	PG42	30.0-38.0 / <i>1.18-1.50</i>	60.0 / <i>2.362</i>
SPB48	PG48	34.0-44.0 / <i>1.34-1.73</i>	65.0 / <i>2.559</i>

065LCG*/065LC*



SCPB065LCG* Non-environmental, no grommet

SCPB065LC* Environmental with grommet

SHELL SIZE	FRONT VIEW	SIDE VIEW
	D DIA. MAX.	L MAX
10SL	25.3 / <i>0.996</i>	100 / <i>3.937</i>
14S	31.7 / <i>1.248</i>	100 / <i>3.937</i>
16S	35.9 / <i>1.413</i>	100 / <i>3.937</i>
16	35.9 / <i>1.413</i>	110 / <i>4.331</i>
18	39.5 / <i>1.555</i>	110 / <i>4.331</i>
20	42.9 / <i>1.689</i>	116 / <i>4.567</i>
22	46.1 / <i>1.815</i>	116 / <i>4.567</i>
24	49.5 / <i>1.949</i>	120 / <i>4.724</i>
28	56.9 / <i>2.240</i>	129 / <i>5.079</i>
32	63.7 / <i>2.508</i>	145 / <i>5.709</i>
36	70.1 / <i>2.760</i>	145 / <i>5.709</i>
40	75.7 / <i>2.980</i>	145 / <i>5.709</i>

K*	CABLE RANGE	
	MIN	MAX
K0	6.35 / <i>0.250</i>	9.53 / <i>0.375</i>
K1	9.53 / <i>0.375</i>	12.70 / <i>0.500</i>
K2	12.70 / <i>0.500</i>	15.87 / <i>0.625</i>
K3	15.87 / <i>0.625</i>	19.05 / <i>0.750</i>
K4	19.05 / <i>0.750</i>	22.23 / <i>0.875</i>
K5	22.23 / <i>0.875</i>	25.40 / <i>1.000</i>
K6	25.40 / <i>1.000</i>	28.45 / <i>1.120</i>
K7	28.45 / <i>1.120</i>	31.75 / <i>1.250</i>
K8	32.77 / <i>1.290</i>	38.10 / <i>1.500</i>
K9	39.62 / <i>1.560</i>	41.28 / <i>1.625</i>
K10	41.28 / <i>1.625</i>	44.45 / <i>1.750</i>

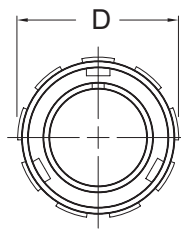
DIMENSIONS IN ITALIC ARE INCHES.
1. DIMENSION L WILL VARY FROM THE VALUES INDICATED WITH ESCALATING OR DE-ESCALATING BACKSHELLS AND SOME SPECIAL INSERT CONFIGURATIONS.

STRAIGHT PLUG

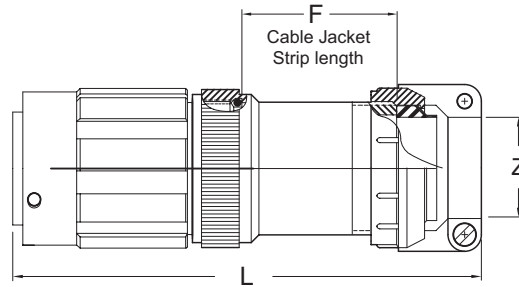
065LCF*/065LCFZ*

1C

FRONT VIEW



SIDE VIEW



SCPB065LCF* Non-environmental, no grommet
 SCPB065LCFZ* Environmental with grommet

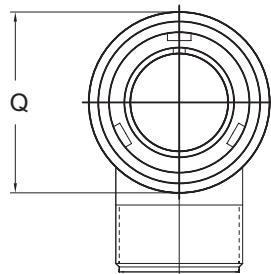
SHELL SIZE	FRONT VIEW	SIDE VIEW			
	D DIA. MAX.	F REF	L MAX	Z	
				OPEN	CLOSED
10SL	25.3 / <i>0.996</i>	42.0 / <i>1.654</i>	101 / <i>3.976</i>	7.93 / <i>0.312</i>	2.38 / <i>0.094</i>
14S	31.7 / <i>1.248</i>	42.6 / <i>1.677</i>	101 / <i>3.976</i>	11.12 / <i>0.438</i>	5.84 / <i>0.230</i>
16S	35.9 / <i>1.413</i>	42.6 / <i>1.677</i>	101 / <i>3.976</i>	13.48 / <i>0.531</i>	8.0 / <i>0.315</i>
16	35.9 / <i>1.413</i>	42.6 / <i>1.677</i>	114 / <i>4.488</i>	13.48 / <i>0.531</i>	8.0 / <i>0.315</i>
18	39.5 / <i>1.555</i>	45.8 / <i>1.803</i>	119 / <i>4.685</i>	15.87 / <i>0.625</i>	9.6 / <i>0.378</i>
20	42.9 / <i>1.689</i>	45.9 / <i>1.807</i>	119 / <i>4.685</i>	19.00 / <i>0.748</i>	11.3 / <i>0.445</i>
22	46.1 / <i>1.815</i>	45.9 / <i>1.807</i>	119 / <i>4.685</i>	19.00 / <i>0.748</i>	11.3 / <i>0.445</i>
24	49.5 / <i>1.949</i>	44.5 / <i>1.752</i>	124 / <i>4.882</i>	23.80 / <i>0.937</i>	15.5 / <i>0.610</i>
28	56.9 / <i>2.240</i>	49.5 / <i>1.949</i>	130 / <i>5.118</i>	23.80 / <i>0.937</i>	15.5 / <i>0.610</i>
32	63.7 / <i>2.508</i>	49.6 / <i>1.953</i>	137 / <i>5.394</i>	31.75 / <i>1.250</i>	23.4 / <i>0.921</i>
36	70.1 / <i>2.760</i>	50.0 / <i>1.969</i>	144 / <i>5.669</i>	35.00 / <i>1.378</i>	23.4 / <i>0.921</i>
40	75.7 / <i>2.980</i>	50.0 / <i>1.969</i>	144 / <i>5.669</i>	41.25 / <i>1.624</i>	29.9 / <i>1.177</i>

DIMENSIONS IN ITALIC ARE INCHES.

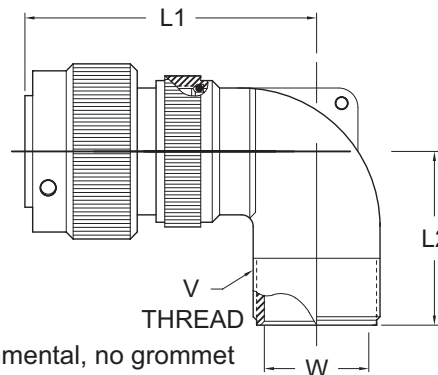
90° PLUG

08A*/08R*

FRONT VIEW



SIDE VIEW



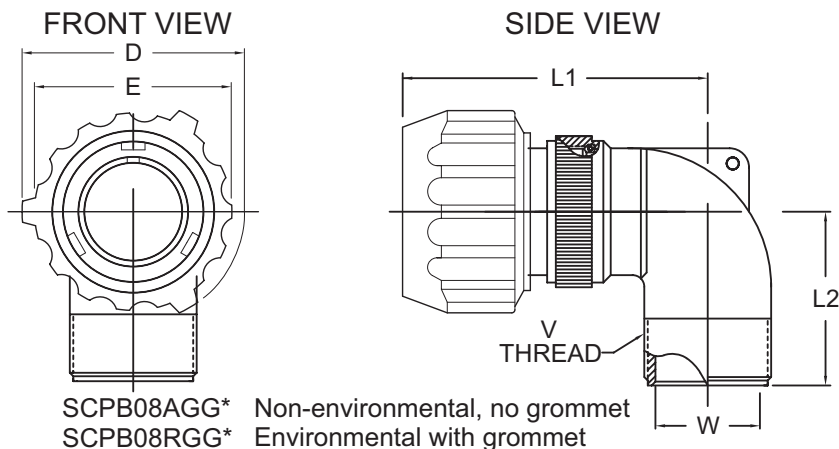
SCPB08A* Non-environmental, no grommet
 SCPB08R* Environmental with grommet

SHELL SIZE	FRONT VIEW	SIDE VIEW			
	Q MAX	L1 MAX	L2 MAX	V THREAD CLASS 2A	W MIN
10SL	22.8 / <i>0.898</i>	45 / <i>1.772</i>	30 / <i>1.181</i>	5/8-24 UNEF	8.5 / <i>0.335</i>
14S	29.2 / <i>1.150</i>	47 / <i>1.850</i>	30 / <i>1.181</i>	3/4-20 UNEF	12.0 / <i>0.472</i>
16S	32.0 / <i>1.260</i>	48 / <i>1.890</i>	30 / <i>1.181</i>	7/8-20 UNEF	14.5 / <i>0.571</i>
16	32.0 / <i>1.260</i>	57 / <i>2.244</i>	30 / <i>1.181</i>	7/8-20 UNEF	14.5 / <i>0.571</i>
18	36.5 / <i>1.437</i>	58 / <i>2.283</i>	35 / <i>1.378</i>	1-20 UNEF	17.5 / <i>0.689</i>
20	39.9 / <i>1.571</i>	61 / <i>2.402</i>	35 / <i>1.378</i>	1 3/16-18 UNEF	19.5 / <i>0.768</i>
22	43.1 / <i>1.697</i>	61 / <i>2.402</i>	35 / <i>1.378</i>	1 3/16-18 UNEF	22.0 / <i>0.866</i>
24	46.6 / <i>1.835</i>	66 / <i>2.598</i>	40 / <i>1.575</i>	1 7/16-18 UNEF	25.0 / <i>0.984</i>
28	53.4 / <i>2.102</i>	66 / <i>2.598</i>	40 / <i>1.575</i>	1 7/16-18 UNEF	29.0 / <i>1.142</i>
32	60.1 / <i>2.366</i>	72 / <i>2.835</i>	45 / <i>1.772</i>	1 3/4-18 UNS	34.0 / <i>1.339</i>
36	66.3 / <i>2.610</i>	75 / <i>2.953</i>	50 / <i>1.969</i>	2-18 UNS	38.5 / <i>1.516</i>
40	72.4 / <i>2.850</i>	78 / <i>3.071</i>	55 / <i>2.165</i>	2 1/4-16 UN	48.0 / <i>1.890</i>

DIMENSIONS IN ITALIC ARE INCHES.

90° PLUG

08AGG*/08RGG*



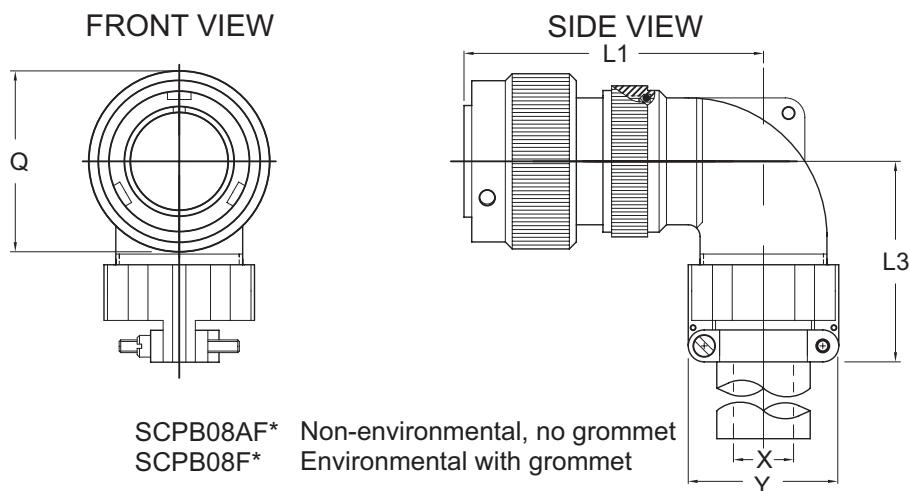
SCPB08AGG* Non-environmental, no grommet
SCPB08RGG* Environmental with grommet

SHELL SIZE	FRONT VIEW		SIDE VIEW			
	D DIA.	E DIA.	L1 MAX	L2 MAX	V THREAD CLASS 2A	W MIN
10SL	33.5 / <i>1.319</i>	28.5 / <i>1.122</i>	48.6 / <i>1.912</i>	30 / <i>1.181</i>	5/8-24 UNEF	8.5 / <i>0.335</i>
14S	40.2 / <i>1.583</i>	32.5 / <i>1.280</i>	50.5 / <i>1.990</i>	30 / <i>1.181</i>	3/4-20 UNEF	12.0 / <i>0.472</i>
16S	* / *	* / *	51.6 / <i>2.030</i>	30 / <i>1.181</i>	7/8-20 UNEF	14.5 / <i>0.571</i>
16	* / *	* / *	60.6 / <i>2.384</i>	30 / <i>1.181</i>	7/8-20 UNEF	14.5 / <i>0.571</i>
18	49.0 / <i>1.929</i>	43.5 / <i>1.713</i>	61.5 / <i>2.423</i>	35 / <i>1.378</i>	1-20 UNEF	17.5 / <i>0.689</i>
20	51.5 / <i>2.028</i>	46.0 / <i>1.811</i>	64.6 / <i>2.542</i>	35 / <i>1.378</i>	1 3/16-18 UNEF	19.5 / <i>0.768</i>
22	56.5 / <i>2.224</i>	50.5 / <i>1.988</i>	64.6 / <i>2.542</i>	35 / <i>1.378</i>	1 3/16-18 UNEF	22.0 / <i>0.866</i>
24	60.0 / <i>2.362</i>	54.0 / <i>2.126</i>	69.5 / <i>2.738</i>	40 / <i>1.575</i>	1 7/16-18 UNEF	25.0 / <i>0.984</i>
28	67.0 / <i>2.638</i>	61.0 / <i>2.402</i>	69.5 / <i>2.738</i>	40 / <i>1.575</i>	1 7/16-18 UNEF	29.0 / <i>1.142</i>
32	76.0 / <i>2.992</i>	67.6 / <i>2.661</i>	75.6 / <i>2.975</i>	45 / <i>1.772</i>	1 3/4-18 UNS	34.0 / <i>1.339</i>
36	82.3 / <i>3.240</i>	74.3 / <i>2.925</i>	78.6 / <i>3.093</i>	50 / <i>1.969</i>	2-18 UNS	38.5 / <i>1.516</i>
40	88.0 / <i>3.465</i>	80.0 / <i>3.150</i>	81.6 / <i>3.211</i>	55 / <i>2.165</i>	2 1/4-16 UN	48.0 / <i>1.890</i>

DIMENSIONS IN ITALIC ARE INCHES.

* CONSULT FACTORY FOR DIMENSIONS.

08AF*/08F*

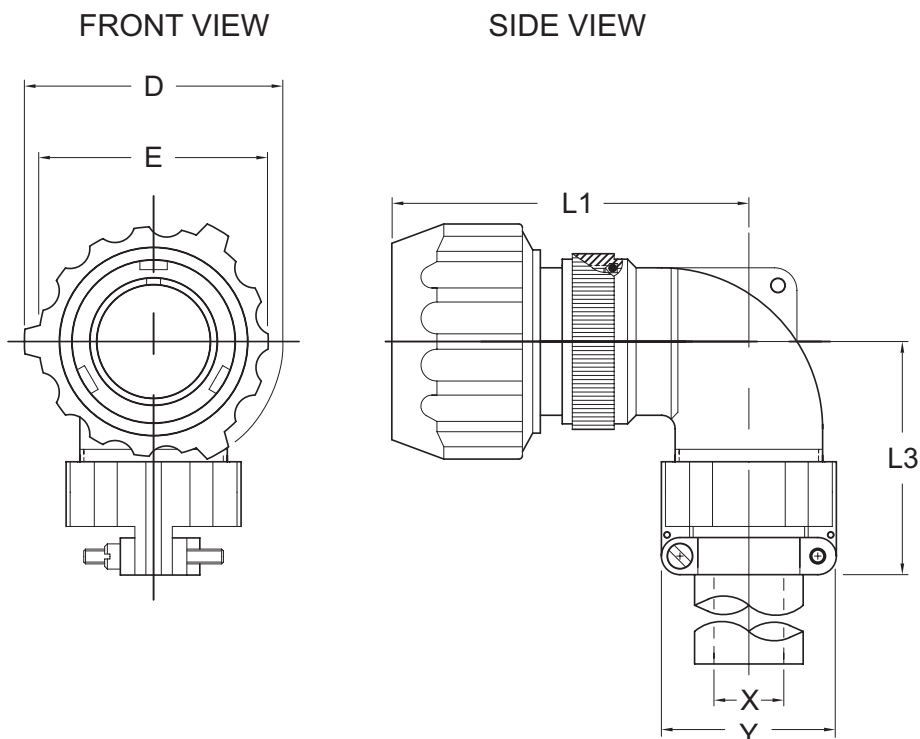


SCPB08AF* Non-environmental, no grommet
SCPB08F* Environmental with grommet

SHELL SIZE	FRONT VIEW	SIDE VIEW			
	Q MAX	L1 MAX	L3 MAX	X MIN	Y MAX
10SL	22.8 / <i>0.898</i>	45 / <i>1.772</i>	42 / <i>1.654</i>	6.5 / <i>0.256</i>	22.7 / <i>0.894</i>
14S	29.2 / <i>1.150</i>	47 / <i>1.850</i>	42 / <i>1.654</i>	9.0 / <i>0.354</i>	27.5 / <i>1.083</i>
16S	32.0 / <i>1.260</i>	48 / <i>1.890</i>	45 / <i>1.772</i>	11.0 / <i>0.433</i>	30.0 / <i>1.181</i>
16	32.0 / <i>1.260</i>	57 / <i>2.244</i>	45 / <i>1.772</i>	11.0 / <i>0.433</i>	30.0 / <i>1.181</i>
18	36.5 / <i>1.437</i>	58 / <i>2.283</i>	53 / <i>2.087</i>	14.2 / <i>0.559</i>	32.2 / <i>1.268</i>
20	39.9 / <i>1.571</i>	61 / <i>2.402</i>	53 / <i>2.087</i>	15.8 / <i>0.622</i>	37.5 / <i>1.476</i>
22	43.1 / <i>1.697</i>	61 / <i>2.402</i>	53 / <i>2.087</i>	15.8 / <i>0.622</i>	37.5 / <i>1.476</i>
24	46.6 / <i>1.835</i>	66 / <i>2.598</i>	58 / <i>2.283</i>	21.4 / <i>0.843</i>	43.3 / <i>1.705</i>
28	53.4 / <i>2.102</i>	66 / <i>2.598</i>	58 / <i>2.283</i>	21.4 / <i>0.843</i>	43.3 / <i>1.705</i>
32	60.1 / <i>2.366</i>	72 / <i>2.835</i>	66 / <i>2.598</i>	26.7 / <i>1.051</i>	51.7 / <i>2.035</i>
36	66.3 / <i>2.610</i>	75 / <i>2.953</i>	69 / <i>2.717</i>	31.7 / <i>1.248</i>	58.0 / <i>2.283</i>
40	72.4 / <i>2.850</i>	78 / <i>3.071</i>	95 / <i>3.740</i>	34.9 / <i>1.374</i>	65.5 / <i>2.579</i>

DIMENSIONS IN ITALIC ARE INCHES.





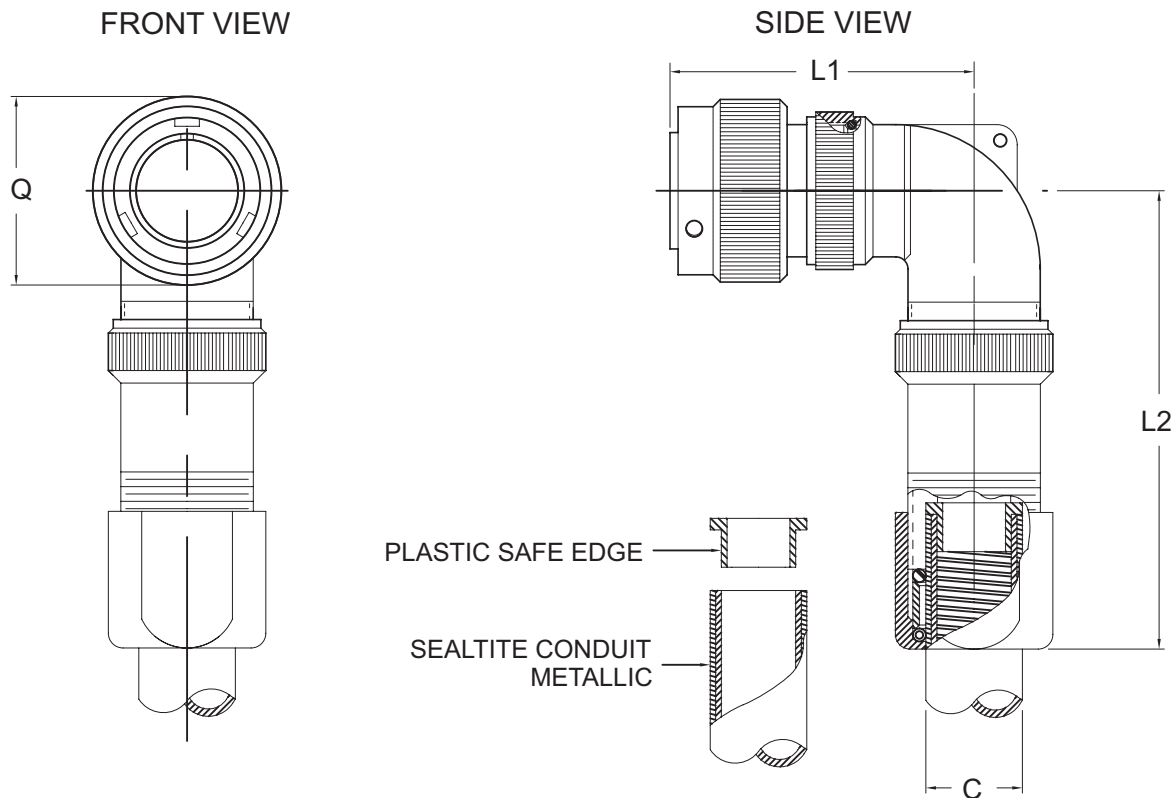
SCPB08AFGG* Non-environmental, no grommet
 SCPB08FGG* Environmental with grommet

SHELL SIZE	FRONT VIEW		SIDE VIEW			
	D DIA.	E DIA.	L1 MAX	L3 MAX	X MIN	Y MAX
10SL	33.5 / <i>1.319</i>	28.5 / <i>1.122</i>	48.6 / <i>1.912</i>	42 / <i>1.654</i>	6.5 / <i>0.256</i>	22.7 / <i>0.894</i>
14S	40.2 / <i>1.583</i>	32.5 / <i>1.280</i>	50.5 / <i>1.990</i>	42 / <i>1.654</i>	9.0 / <i>0.354</i>	27.5 / <i>1.083</i>
16S	* / *	* / *	51.6 / <i>2.030</i>	45 / <i>1.772</i>	11.0 / <i>0.433</i>	30.0 / <i>1.181</i>
16	* / *	* / *	60.6 / <i>2.384</i>	45 / <i>1.772</i>	11.0 / <i>0.433</i>	30.0 / <i>1.181</i>
18	49.0 / <i>1.929</i>	43.5 / <i>1.713</i>	61.5 / <i>2.423</i>	53 / <i>2.087</i>	14.2 / <i>0.559</i>	32.2 / <i>1.268</i>
20	51.5 / <i>2.028</i>	46.0 / <i>1.811</i>	64.6 / <i>2.542</i>	53 / <i>2.087</i>	15.8 / <i>0.622</i>	37.5 / <i>1.476</i>
22	56.5 / <i>2.224</i>	50.5 / <i>1.988</i>	64.6 / <i>2.542</i>	53 / <i>2.087</i>	15.8 / <i>0.622</i>	37.5 / <i>1.476</i>
24	60.0 / <i>2.362</i>	54.0 / <i>2.126</i>	69.5 / <i>2.738</i>	58 / <i>2.283</i>	21.4 / <i>0.843</i>	43.3 / <i>1.705</i>
28	67.0 / <i>2.638</i>	61.0 / <i>2.402</i>	69.5 / <i>2.738</i>	58 / <i>2.283</i>	21.4 / <i>0.843</i>	43.3 / <i>1.705</i>
32	76.0 / <i>2.992</i>	67.6 / <i>2.661</i>	75.6 / <i>2.975</i>	66 / <i>2.598</i>	26.7 / <i>1.051</i>	51.7 / <i>2.035</i>
36	82.3 / <i>3.240</i>	74.3 / <i>2.925</i>	78.6 / <i>3.093</i>	69 / <i>2.717</i>	31.7 / <i>1.248</i>	58.0 / <i>2.283</i>
40	88.0 / <i>3.465</i>	80.0 / <i>3.150</i>	81.6 / <i>3.211</i>	95 / <i>3.740</i>	34.9 / <i>1.374</i>	65.5 / <i>2.579</i>

DIMENSIONS IN ITALIC ARE INCHES.
 * CONSULT FACTORY FOR DIMENSIONS.

90° PLUG

08ARK*/08RK*



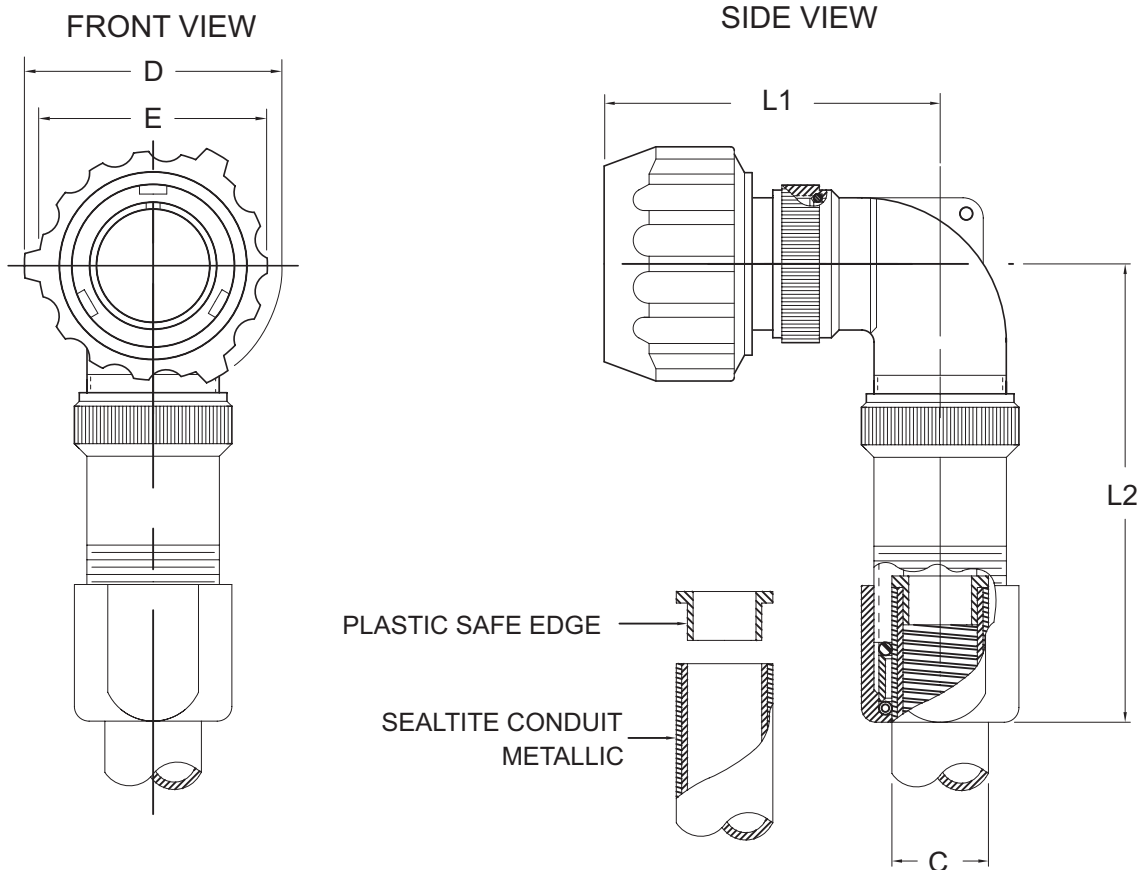
SCPB08ARK* Environmental, no grommet
 SCPB08RK* Environmental with grommet

SHELL SIZE	FRONT VIEW	SIDE VIEW	
	Q MAX	L1 MAX	L2
10SL	22.8 / <i>0.898</i>	45 / <i>1.772</i>	Dimension L2 is dependent on conduit size used with each shell size. (consult factory)
14S	29.2 / <i>1.150</i>	47 / <i>1.850</i>	
16S	32.0 / <i>1.260</i>	48 / <i>1.890</i>	
16	32.0 / <i>1.260</i>	57 / <i>2.244</i>	
18	36.5 / <i>1.437</i>	58 / <i>2.283</i>	
20	39.9 / <i>1.571</i>	61 / <i>2.402</i>	
22	43.1 / <i>1.697</i>	61 / <i>2.402</i>	
24	46.6 / <i>1.835</i>	66 / <i>2.598</i>	
28	53.4 / <i>2.102</i>	66 / <i>2.598</i>	
32	60.1 / <i>2.366</i>	72 / <i>2.835</i>	
36	66.3 / <i>2.610</i>	75 / <i>2.953</i>	
40	72.4 / <i>2.850</i>	78 / <i>3.071</i>	

DIMENSIONS IN ITALIC ARE INCHES.

CODE (***)	AVAILABLE CONDUIT SIZES C
(038)	9.52 / <i>3/8</i>
(050)	12.70 / <i>1/2</i>
(075)	19.05 / <i>3/4</i>
(100)	25.40 / <i>1</i>
(125)	31.75 / <i>1 1/4</i>
(150)	38.10 / <i>1 1/2</i>
(200)	50.80 / <i>2</i>

(***) Conduit Size must be specified as part of the connector part number using Conduit Code



SCPB08ARKGG* Environmental, no grommet
 SCPB08RKGG* Environmental with grommet

SHELL SIZE	FRONT VIEW		SIDE VIEW		
	D DIA.	E DIA.	L1 MAX	L2	
10SL	33.5 / 1.319	28.5 / 1.122	48.6 / 1.912	Dimension L2 is dependent on conduit size used with each shell size. (consult factory)	
14S	40.2 / 1.583	32.5 / 1.280	50.5 / 1.990		
16S	* / *	* / *	51.6 / 2.030		
16	* / *	* / *	60.6 / 2.384		
18	49.0 / 1.929	43.5 / 1.713	61.5 / 2.423		
20	51.5 / 2.028	46.0 / 1.811	64.6 / 2.542		
22	56.5 / 2.224	50.5 / 1.988	64.6 / 2.542		
24	60.0 / 2.362	54.0 / 2.126	69.5 / 2.738		
28	67.0 / 2.638	61.0 / 2.402	69.5 / 2.738		
32	76.0 / 2.992	67.6 / 2.661	75.6 / 2.975		
36	82.3 / 3.240	74.3 / 2.925	78.6 / 3.093		
40	88.0 / 3.465	80.0 / 3.150	81.6 / 3.211		

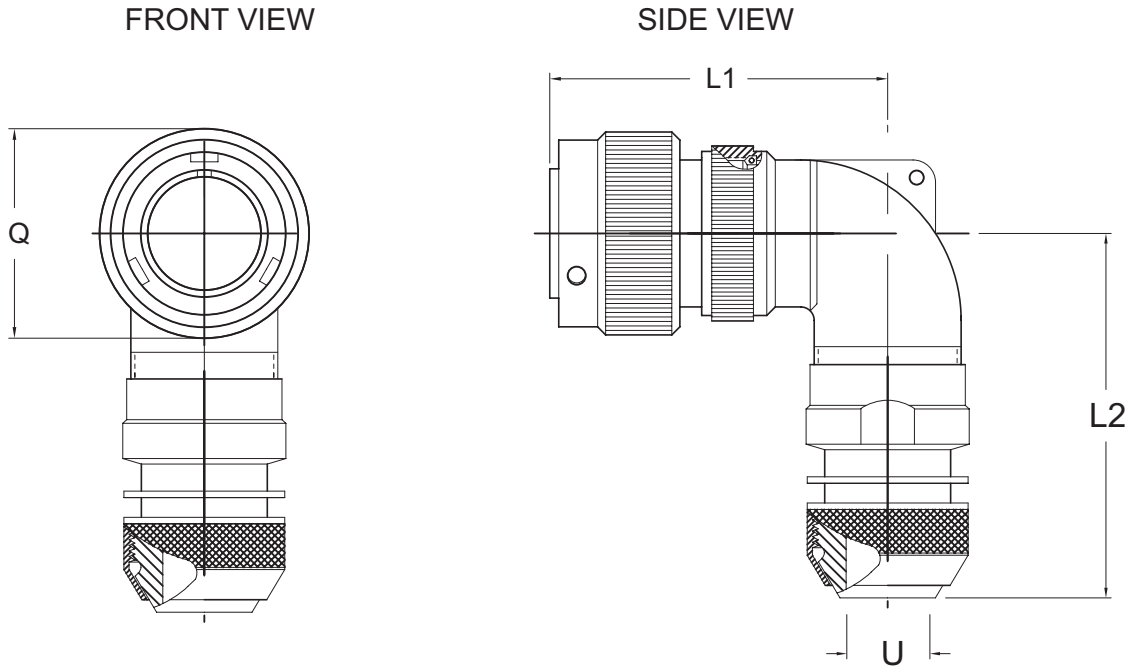
AVAILABLE CONDUIT SIZES	CODE (***)
C	
9.52 / 3/8	(038)
12.70 / 1/2	(050)
19.05 / 3/4	(075)
25.40 / 1	(100)
31.75 / 1 1/4	(125)
38.10 / 1 1/2	(150)
50.80 / 2	(200)

(***) Conduit Size must be specified as part of the connector part number using Conduit Code

DIMENSIONS IN ITALIC ARE INCHES.
 * CONSULT FACTORY FOR DIMENSIONS.

90° PLUG

08SB*



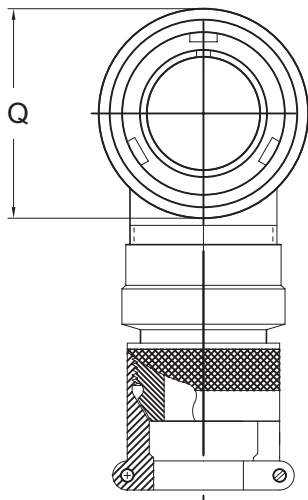
SCPB08SB* Environmental with grommet

SHELL SIZE	FRONT VIEW	SIDE VIEW		
	Q MAX	L1 MAX	L2	U MIN
10SL	22.8 / <i>0.898</i>	45 / <i>1.772</i>	Dimension L2 is dependent of shield size used with each shell size. (consult factory)	8.6 / <i>0.339</i>
14S	29.2 / <i>1.150</i>	47 / <i>1.850</i>		10.6 / <i>0.417</i>
16S	32.0 / <i>1.260</i>	48 / <i>1.890</i>		13.5 / <i>0.531</i>
16	32.0 / <i>1.260</i>	57 / <i>2.244</i>		13.5 / <i>0.531</i>
18	36.5 / <i>1.437</i>	58 / <i>2.283</i>		14.6 / <i>0.575</i>
20	39.9 / <i>1.571</i>	61 / <i>2.402</i>		18.5 / <i>0.728</i>
22	43.1 / <i>1.697</i>	61 / <i>2.402</i>		20.8 / <i>0.819</i>
24	46.6 / <i>1.835</i>	66 / <i>2.598</i>		24.6 / <i>0.969</i>
28	53.4 / <i>2.102</i>	66 / <i>2.598</i>		27.0 / <i>1.063</i>
32	60.1 / <i>2.366</i>	72 / <i>2.835</i>		33.3 / <i>1.311</i>
36	66.3 / <i>2.610</i>	75 / <i>2.953</i>		38.5 / <i>1.516</i>
40	72.4 / <i>2.850</i>	78 / <i>3.071</i>		46.0 / <i>1.811</i>

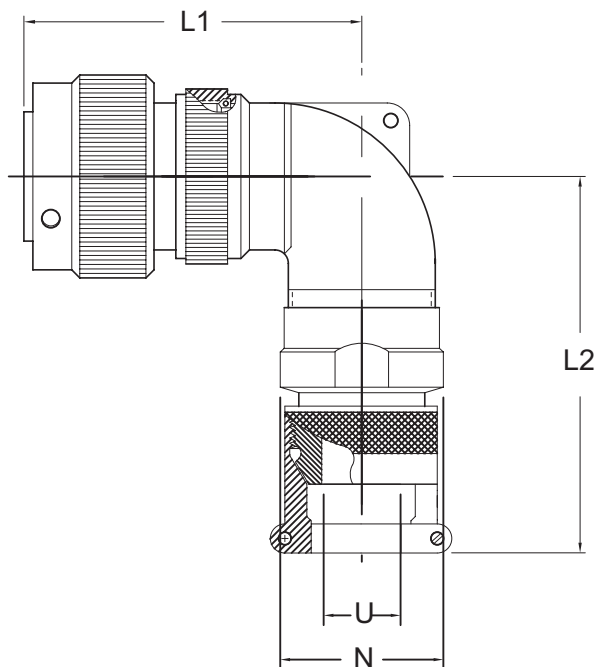
DIMENSIONS IN ITALIC ARE INCHES.

CS230

FRONT VIEW



SIDE VIEW



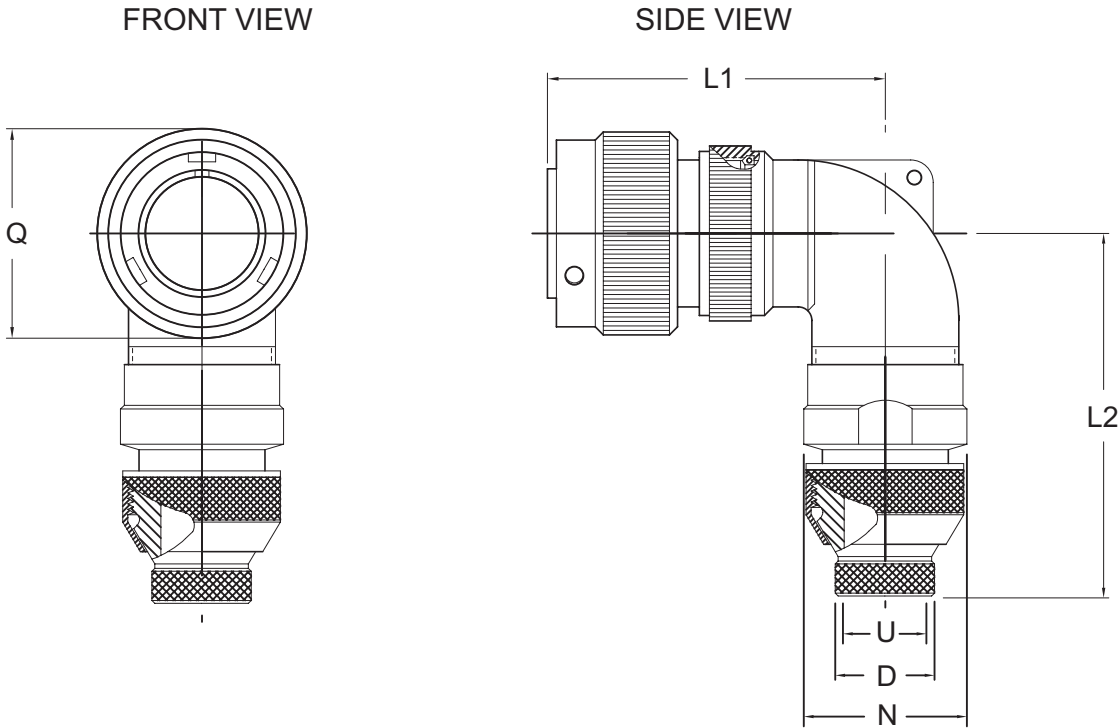
SCPB08ASBF* Environmental, no grommet
 SCPB08SBF* Environmental with grommet

SHELL SIZE	FRONT VIEW	SIDE VIEW			
	Q MAX	N MAX	L1 MAX	L2	U MIN
10SL	22.8 / <i>0.898</i>	22 / <i>0.866</i>	45 / <i>1.772</i>	Dimension L2 is dependent of shield size used with each shell size. (consult factory)	8.6 / <i>0.339</i>
14S	29.2 / <i>1.150</i>	25 / <i>0.984</i>	47 / <i>1.850</i>		10.6 / <i>0.417</i>
16S	32.0 / <i>1.260</i>	28 / <i>1.102</i>	48 / <i>1.890</i>		13.5 / <i>0.531</i>
16	32.0 / <i>1.260</i>	28 / <i>1.102</i>	57 / <i>2.244</i>		13.5 / <i>0.531</i>
18	36.5 / <i>1.437</i>	31 / <i>1.220</i>	58 / <i>2.283</i>		14.6 / <i>0.575</i>
20	39.9 / <i>1.571</i>	35 / <i>1.378</i>	61 / <i>2.402</i>		18.5 / <i>0.728</i>
22	43.1 / <i>1.697</i>	38 / <i>1.496</i>	61 / <i>2.402</i>		20.8 / <i>0.819</i>
24	46.6 / <i>1.835</i>	41 / <i>1.614</i>	66 / <i>2.598</i>		24.6 / <i>0.969</i>
28	53.4 / <i>2.102</i>	48 / <i>1.890</i>	66 / <i>2.598</i>		27.0 / <i>1.063</i>
32	60.1 / <i>2.366</i>	54 / <i>2.126</i>	72 / <i>2.835</i>		33.3 / <i>1.311</i>
36	66.3 / <i>2.610</i>	61 / <i>2.402</i>	75 / <i>2.953</i>		38.5 / <i>1.516</i>
40	72.4 / <i>2.850</i>	68 / <i>2.677</i>	78 / <i>3.071</i>		46.0 / <i>1.811</i>

DIMENSIONS IN ITALIC ARE INCHES.

90° PLUG

08ASBT*/08SBT*



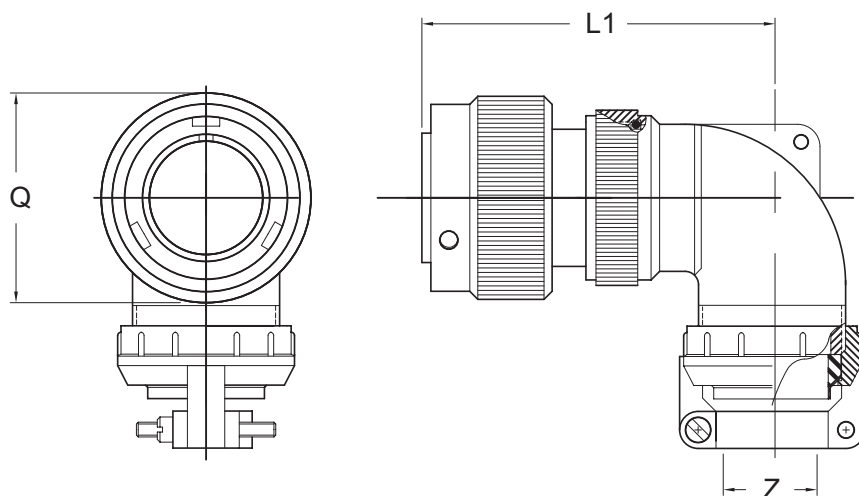
SCPB08ASBT* Environmental, no grommet
 SCPB08SBT* Environmental with grommet

SHELL SIZE	FRONT VIEW	SIDE VIEW				
	Q MAX	D MAX	N MAX	L1 MAX	L2	U MIN
10SL	22.8 / <i>0.898</i>	11.1 / <i>0.437</i>	22 / <i>0.866</i>	45 / <i>1.772</i>	Dimension L2 is dependent of shield size used with each shell size. (consult factory)	7.6 / <i>0.299</i>
14S	29.2 / <i>1.150</i>	14.3 / <i>0.563</i>	25 / <i>0.984</i>	47 / <i>1.850</i>		10.8 / <i>0.425</i>
16S	32.0 / <i>1.260</i>	15.9 / <i>0.626</i>	28 / <i>1.102</i>	48 / <i>1.890</i>		12.4 / <i>0.488</i>
16	32.0 / <i>1.260</i>	15.9 / <i>0.626</i>	28 / <i>1.102</i>	57 / <i>2.244</i>		12.4 / <i>0.488</i>
18	36.5 / <i>1.437</i>	19.1 / <i>0.752</i>	31 / <i>1.220</i>	58 / <i>2.283</i>		15.6 / <i>0.614</i>
20	39.9 / <i>1.571</i>	22.3 / <i>0.878</i>	35 / <i>1.378</i>	61 / <i>2.402</i>		18.7 / <i>0.736</i>
22	43.1 / <i>1.697</i>	25.4 / <i>1.000</i>	38 / <i>1.496</i>	61 / <i>2.402</i>		21.9 / <i>0.862</i>
24	46.6 / <i>1.835</i>	28.6 / <i>1.126</i>	41 / <i>1.614</i>	66 / <i>2.598</i>		25.1 / <i>0.988</i>
28	53.4 / <i>2.102</i>	31.8 / <i>1.252</i>	48 / <i>1.890</i>	66 / <i>2.598</i>		28.3 / <i>1.114</i>
32	60.1 / <i>2.366</i>	36.6 / <i>1.440</i>	54 / <i>2.126</i>	72 / <i>2.835</i>		28.3 / <i>1.114</i>
36	66.3 / <i>2.610</i>	44.5 / <i>1.752</i>	61 / <i>2.402</i>	75 / <i>2.953</i>	41.0 / <i>1.614</i>	
40	72.4 / <i>2.850</i>	50.8 / <i>2.000</i>	68 / <i>2.677</i>	78 / <i>3.071</i>	40.6 / <i>1.600</i>	

DIMENSIONS IN ITALIC ARE INCHES.

FRONT VIEW

SIDE VIEW



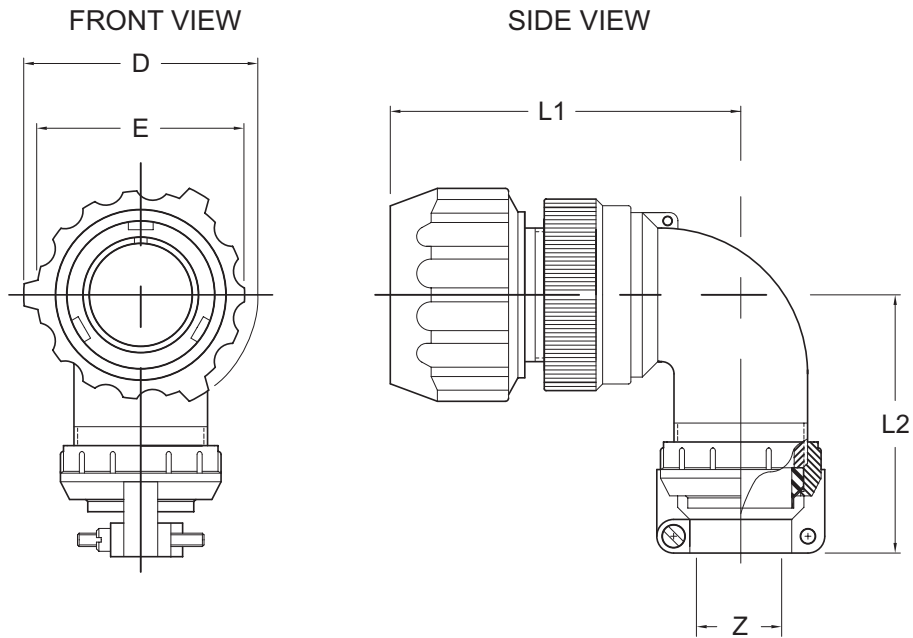
SCPB08CF* Environmental, no grommet
 SCPB08CFZ* Environmental with grommet

SHELL SIZE	FRONT VIEW	SIDE VIEW		
	Q	L1	Z	
	MAX	MAX	OPEN	CLOSED
10SL	22.8 / <i>0.898</i>	45 / <i>1.772</i>	7.93/ <i>0.312</i>	2.38/ <i>0.094</i>
14S	29.2 / <i>1.150</i>	47 / <i>1.850</i>	11.12/ <i>0.438</i>	5.84/ <i>0.230</i>
16S	32.0 / <i>1.260</i>	48 / <i>1.890</i>	13.48/ <i>0.531</i>	8.0/ <i>0.315</i>
16	32.0 / <i>1.260</i>	57 / <i>2.244</i>	13.48/ <i>0.531</i>	8.0/ <i>0.315</i>
18	36.5 / <i>1.437</i>	58 / <i>2.283</i>	15.87/ <i>0.625</i>	9.6/ <i>0.378</i>
20	39.9 / <i>1.571</i>	61 / <i>2.402</i>	19.00/ <i>0.748</i>	11.3/ <i>0.445</i>
22	43.1 / <i>1.697</i>	61 / <i>2.402</i>	19.00/ <i>0.748</i>	11.3/ <i>0.445</i>
24	46.6 / <i>1.835</i>	66 / <i>2.598</i>	23.80/ <i>0.937</i>	15.5/ <i>0.610</i>
28	53.4 / <i>2.102</i>	66 / <i>2.598</i>	23.80/ <i>0.937</i>	15.5/ <i>0.610</i>
32	60.1 / <i>2.366</i>	72 / <i>2.835</i>	31.75/ <i>1.250</i>	23.4/ <i>0.921</i>
36	66.3 / <i>2.610</i>	75 / <i>2.953</i>	35.00/ <i>1.378</i>	23.4/ <i>0.921</i>
40	72.4 / <i>2.850</i>	78 / <i>3.071</i>	41.25/ <i>1.624</i>	29.9/ <i>1.177</i>

DIMENSIONS IN ITALIC ARE INCHES.

90° PLUG

08CFGG*/08CFZGG*

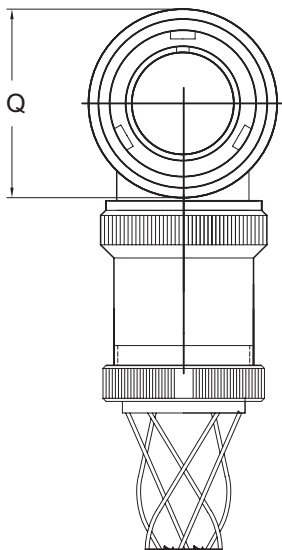


SCPB08CFGG* Environmental, no grommet
 SCPB08CFZGG* Environmental with grommet

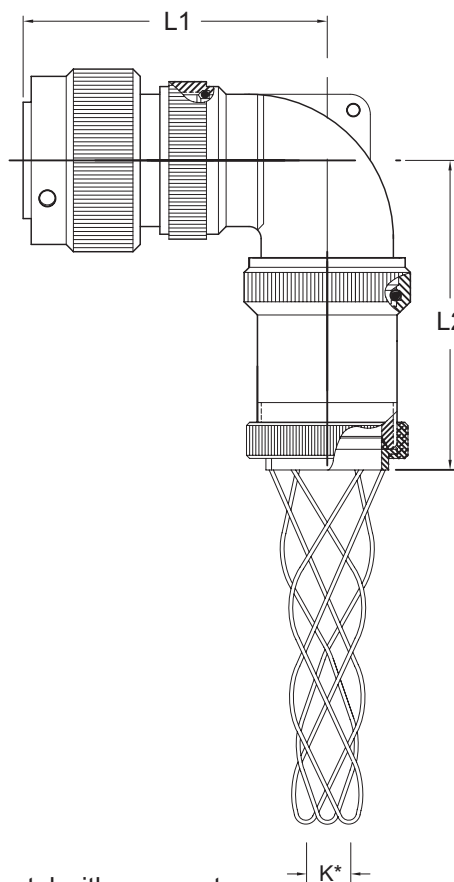
SHELL SIZE	FRONT VIEW		SIDE VIEW			
	D	E	L1	L2	Z	
	DIA.	DIA.	MAX.	MAX.	OPEN	CLOSED
10SL	33.5 / 1.319	28.5 / 1.122	48.6 / 1.912	61 / 2.402	7.93 / 0.312	2.38 / 0.094
14S	40.2 / 1.583	32.5 / 1.280	50.5 / 1.990	61 / 2.402	11.12 / 0.438	5.84 / 0.230
16S	* / *	* / *	* / *	* / *	13.48 / 0.531	8.0 / 0.315
16	* / *	* / *	* / *	* / *	13.48 / 0.531	8.0 / 0.315
18	49.0 / 1.929	43.5 / 1.713	61.5 / 2.423	68 / 2.677	15.87 / 0.625	9.6 / 0.378
20	51.5 / 2.028	46.0 / 1.811	64.6 / 2.542	68 / 2.677	19.00 / 0.748	11.3 / 0.445
22	56.5 / 2.224	50.5 / 1.988	64.6 / 2.542	68 / 2.677	19.00 / 0.748	11.3 / 0.445
24	60.0 / 2.362	54.0 / 2.126	69.5 / 2.738	76 / 2.992	23.80 / 0.937	15.5 / 0.610
28	67.0 / 2.638	61.0 / 2.402	69.5 / 2.738	76 / 2.992	23.80 / 0.937	15.5 / 0.610
32	76.0 / 2.992	67.6 / 2.661	75.6 / 2.975	87 / 3.425	31.75 / 1.250	23.4 / 0.921
36	82.3 / 3.240	74.3 / 2.925	78.6 / 3.093	98 / 3.858	35.00 / 1.378	23.4 / 0.921
40	88.0 / 3.465	80.0 / 3.150	81.6 / 3.211	103 / 4.055	41.25 / 1.624	29.9 / 1.177

DIMENSIONS IN ITALIC ARE INCHES.
 * CONSULT FACTORY FOR DIMENSIONS.

FRONT VIEW



SIDE VIEW



SCP08LC* Environmental with grommet
 SCP08LCG* Environmental less grommet

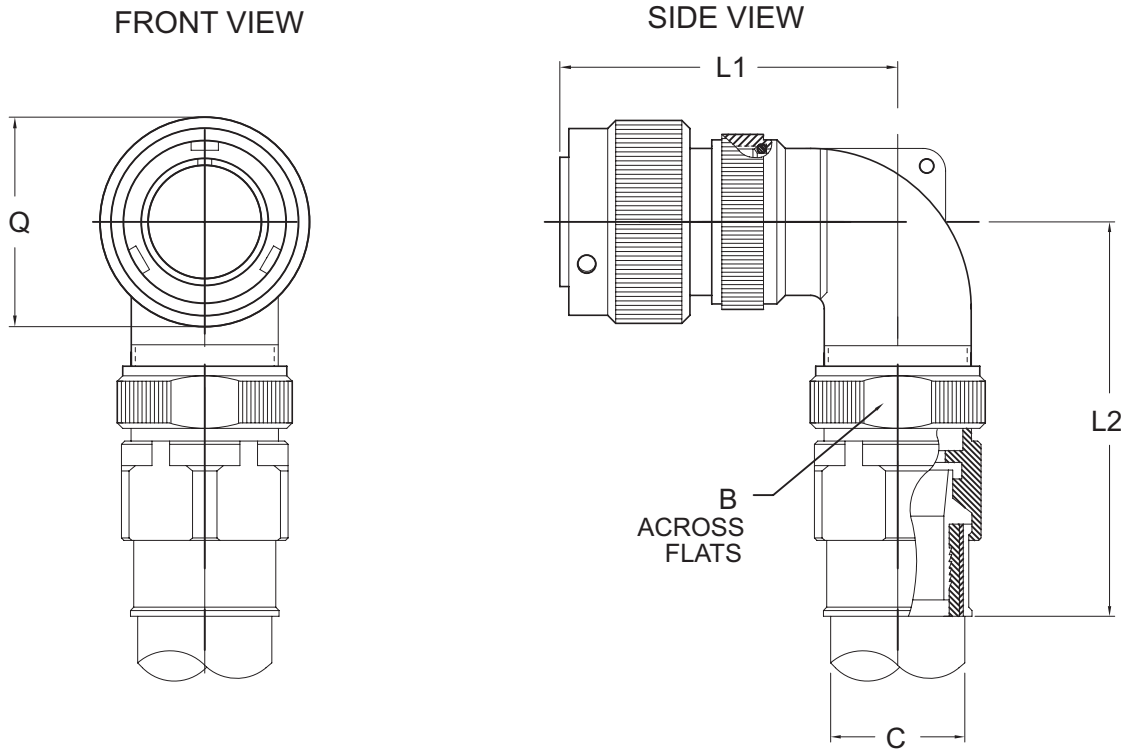
SHELL SIZE	FRONT VIEW	SIDE VIEW	
	Q MAX	L1 MAX	L2 MAX
10SL	22.8 / <i>0.898</i>	45 / <i>1.772</i>	100 / <i>3.937</i>
14S	29.2 / <i>1.150</i>	47 / <i>1.850</i>	100 / <i>3.937</i>
16S	32.0 / <i>1.260</i>	48 / <i>1.890</i>	100 / <i>3.937</i>
16	32.0 / <i>1.260</i>	57 / <i>2.244</i>	110 / <i>4.331</i>
18	36.5 / <i>1.437</i>	58 / <i>2.283</i>	110 / <i>4.331</i>
20	39.9 / <i>1.571</i>	61 / <i>2.402</i>	116 / <i>4.567</i>
22	43.1 / <i>1.697</i>	61 / <i>2.402</i>	116 / <i>4.567</i>
24	46.6 / <i>1.835</i>	66 / <i>2.598</i>	120 / <i>4.724</i>
28	53.4 / <i>2.102</i>	66 / <i>2.598</i>	129 / <i>5.079</i>
32	60.1 / <i>2.366</i>	72 / <i>2.835</i>	145 / <i>5.709</i>
36	66.3 / <i>2.610</i>	75 / <i>2.953</i>	145 / <i>5.709</i>
40	72.4 / <i>2.850</i>	78 / <i>3.071</i>	145 / <i>5.709</i>

K*	CABLE RANGE	
	MIN	MAX
K0	6.35 / <i>0.250</i>	9.53 / <i>0.375</i>
K1	9.53 / <i>0.375</i>	12.70 / <i>0.500</i>
K2	12.70 / <i>0.500</i>	15.87 / <i>0.625</i>
K3	15.87 / <i>0.625</i>	19.05 / <i>0.750</i>
K4	19.05 / <i>0.750</i>	22.23 / <i>0.875</i>
K5	22.23 / <i>0.875</i>	25.40 / <i>1.000</i>
K6	25.40 / <i>1.000</i>	28.45 / <i>1.120</i>
K7	28.45 / <i>1.120</i>	31.75 / <i>1.250</i>
K8	32.77 / <i>1.290</i>	38.10 / <i>1.500</i>
K9	39.62 / <i>1.560</i>	41.28 / <i>1.625</i>
K10	41.28 / <i>1.625</i>	44.45 / <i>1.750</i>

DIMENSIONS IN ITALIC ARE INCHES.
 1. DIMENSION L2 WILL VARY FROM THE VALUES INDICATED WITH ESCALATING OR DE-ESCALATING BACKSHELLS AND SOME SPECIAL INSERT CONFIGURATIONS.

90° PLUG

08NM*/08NMG*



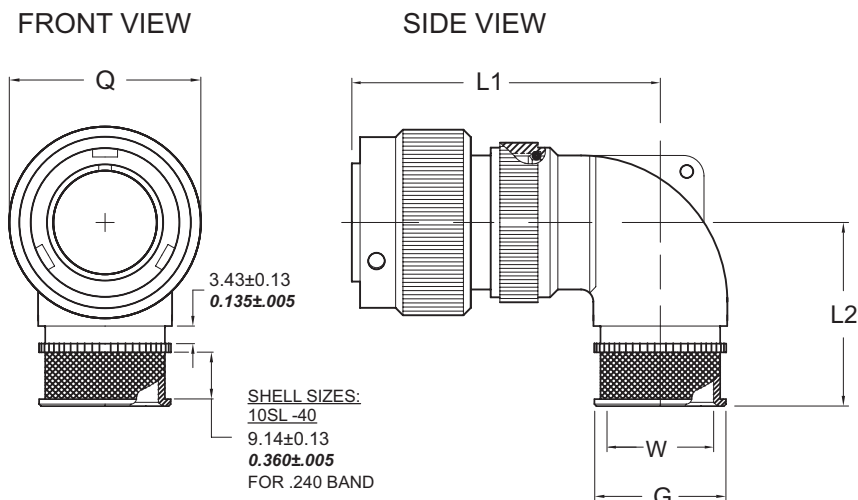
SCP08NM* Environmental with grommet
 SCP08NMG* Environmental, no grommet

SHELL SIZE	FRONT VIEW	SIDE VIEW		
	Q MAX	B ACROSS FLATS	L1 MAX	L2
10SL	22.8 / <i>0.898</i>	17.8 / <i>0.701</i>	45 / <i>1.772</i>	Dimension L2 is dependent on conduit size used with each shell size. (consult factory)
14S	29.2 / <i>1.150</i>	23.8 / <i>0.937</i>	47 / <i>1.850</i>	
16S	32.0 / <i>1.260</i>	25.4 / <i>1.000</i>	48 / <i>1.890</i>	
16	32.0 / <i>1.260</i>	25.4 / <i>1.000</i>	57 / <i>2.244</i>	
18	36.5 / <i>1.437</i>	28.6 / <i>1.126</i>	58 / <i>2.283</i>	
20	39.9 / <i>1.571</i>	31.7 / <i>1.248</i>	61 / <i>2.402</i>	
22	43.1 / <i>1.697</i>	34.9 / <i>1.374</i>	61 / <i>2.402</i>	
24	46.6 / <i>1.835</i>	38.1 / <i>1.500</i>	66 / <i>2.598</i>	
28	53.4 / <i>2.102</i>	44.4 / <i>1.748</i>	66 / <i>2.598</i>	
32	60.1 / <i>2.366</i>	50.8 / <i>2.000</i>	72 / <i>2.835</i>	
36	66.3 / <i>2.610</i>	57.1 / <i>2.248</i>	75 / <i>2.953</i>	
40	72.4 / <i>2.850</i>	61.9 / <i>2.437</i>	78 / <i>3.071</i>	

DIMENSIONS IN ITALIC ARE INCHES.

CODE (***)	AVAILABLE CONDUIT SIZES C
(038)	9.52 / 3/8
(050)	12.70 / 1/2
(075)	19.05 / 3/4
(100)	25.40 / 1
(125)	31.75 / 1 1/4
(150)	38.10 / 1 1/2
(200)	50.80 / 2

(***) Conduit Size must be specified as part of the connector part number using Conduit Code



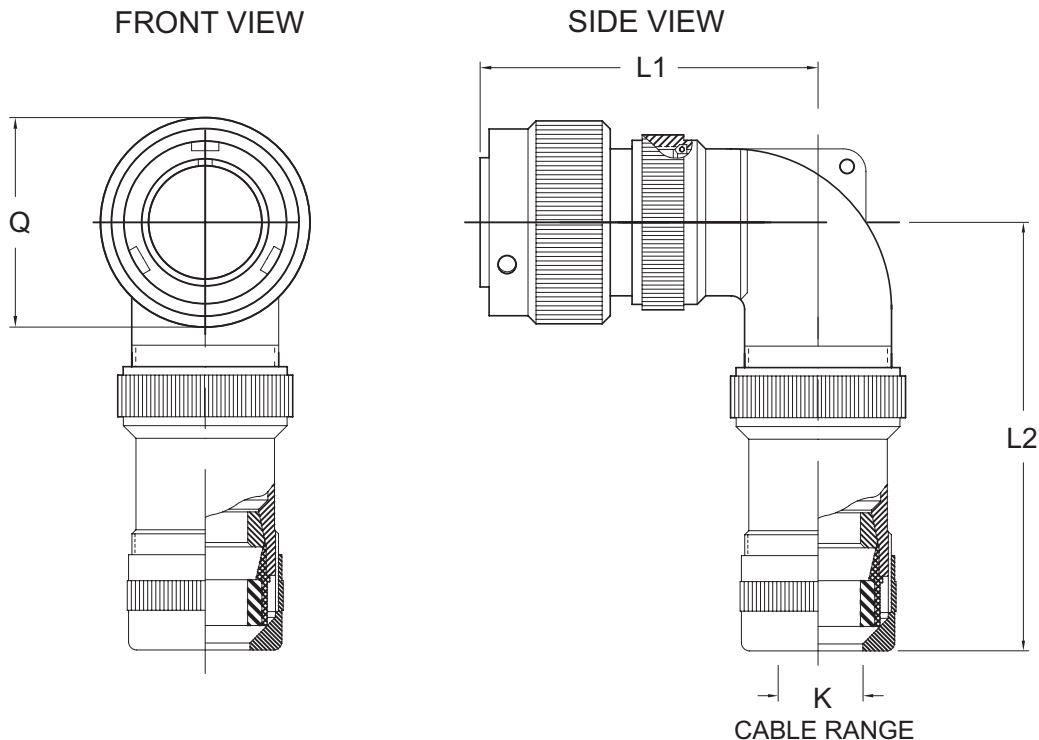
SCPB08SV* Environmental, no grommet
 SCPBG08SV* Environmental, no grommet with grounding spring

SHELL SIZE	FRONT VIEW	SIDE VIEW			
	Q MAX	L1 MAX	L2 MAX	G MAX	W MIN
10SL	22.8/ <i>0.898</i>	45.0/ <i>1.772</i>	30.0/ <i>1.181</i>	15.29/ <i>0.602</i>	10.77/ <i>0.424</i>
14S	29.2/ <i>1.150</i>	47.0/ <i>1.850</i>	30.0/ <i>1.181</i>	17.96/ <i>0.707</i>	11.81/ <i>0.465</i>
16S	32.0/ <i>1.260</i>	48.0/ <i>1.890</i>	30.0/ <i>1.181</i>	19.56/ <i>0.770</i>	14.73/ <i>0.580</i>
16	32.0/ <i>1.260</i>	57.0/ <i>2.244</i>	30.0/ <i>1.181</i>	19.56/ <i>0.770</i>	14.73/ <i>0.580</i>
18	36.5/ <i>1.437</i>	58.0/ <i>2.283</i>	35.0/ <i>1.378</i>	22.73/ <i>0.895</i>	17.40/ <i>0.685</i>
20	39.9/ <i>1.571</i>	61.0/ <i>2.402</i>	35.0/ <i>1.378</i>	25.40/ <i>1.000</i>	20.83/ <i>0.820</i>
22	43.1/ <i>1.697</i>	61.0/ <i>2.402</i>	35.0/ <i>1.378</i>	27.51/ <i>1.083</i>	23.11/ <i>0.910</i>
24	46.6/ <i>1.835</i>	66.0/ <i>2.598</i>	40.0/ <i>1.575</i>	30.86/ <i>1.215</i>	26.04/ <i>1.025</i>
28	53.4/ <i>2.102</i>	66.0/ <i>2.598</i>	40.0/ <i>1.575</i>	33.02/ <i>1.300</i>	28.85/ <i>1.136</i>
32	60.1/ <i>2.366</i>	72.0/ <i>2.835</i>	45.0/ <i>1.772</i>	CONSULT SALES	CONSULT SALES
36	66.3/ <i>2.610</i>	75.0/ <i>2.953</i>	50.0/ <i>1.969</i>		
40	72.4/ <i>2.850</i>	78.0/ <i>3.071</i>	55.0/ <i>2.165</i>		

DIMENSIONS IN *ITALIC* ARE INCHES.

90° PLUG

08WK*/08WKG*



SCPB08WK* Environmental with grommet
 SCPB08WKG* Environmental, no grommet

SHELL SIZE	FRONT VIEW	SIDE VIEW	
	Q MAX	L1 MAX	L2
10SL	22.8 / <i>0.898</i>	45 / <i>1.772</i>	Dimension L2 is dependent of jacketed cable used with each shell size. (consult factory)
14S	29.2 / <i>1.150</i>	47 / <i>1.850</i>	
16S	32.0 / <i>1.260</i>	48 / <i>1.890</i>	
16	32.0 / <i>1.260</i>	57 / <i>2.244</i>	
18	36.5 / <i>1.437</i>	58 / <i>2.283</i>	
20	39.9 / <i>1.571</i>	61 / <i>2.402</i>	
22	43.1 / <i>1.697</i>	61 / <i>2.402</i>	
24	46.6 / <i>1.835</i>	66 / <i>2.598</i>	
28	53.4 / <i>2.102</i>	66 / <i>2.598</i>	
32	60.1 / <i>2.366</i>	72 / <i>2.835</i>	
36	66.3 / <i>2.610</i>	75 / <i>2.953</i>	
40	72.4 / <i>2.850</i>	78 / <i>3.071</i>	

DIMENSIONS IN ITALIC ARE INCHES.

(**) CABLE RANGE CODE	K	
	MIN	MAX
01	1.59 / <i>0.063</i>	3.18 / <i>0.125</i>
02	3.18 / <i>0.125</i>	6.35 / <i>0.250</i>
03	6.35 / <i>0.250</i>	9.53 / <i>0.375</i>
04	9.53 / <i>0.375</i>	12.70 / <i>0.500</i>
05	12.70 / <i>0.500</i>	15.88 / <i>0.625</i>
06	15.88 / <i>0.625</i>	19.05 / <i>0.750</i>
07	19.05 / <i>0.750</i>	22.23 / <i>0.875</i>
08	22.23 / <i>0.875</i>	25.40 / <i>1.000</i>
09	25.40 / <i>1.000</i>	28.58 / <i>1.125</i>
10	28.58 / <i>1.125</i>	31.75 / <i>1.250</i>
11	31.75 / <i>1.250</i>	34.93 / <i>1.375</i>
12	34.93 / <i>1.375</i>	38.10 / <i>1.500</i>
13	38.10 / <i>1.500</i>	41.23 / <i>1.623</i>
14	41.23 / <i>1.623</i>	44.45 / <i>1.750</i>
15	44.45 / <i>1.750</i>	47.63 / <i>1.875</i>
16	47.63 / <i>1.875</i>	50.80 / <i>2.000</i>

(**) Cable Range must be specified as part of the connector part number using Cable Range Code.

This group of connectors provide for the needs of:

- Audio
- Audio & Video
- Control Lighting
- HMI Lighting

AUDIO CONNECTORS

These connectors can be ordered with up to 150 conductors with wire sizes of 18 AWG to 4/0 AWG. This series also has a 1/3 turn quick release coupling mechanism.

AUDIO-VIDEO CONNECTORS

There are certain selected insert arrangements which allow up to 8 channels of video and 31 channels of audio in the same connector.

The "FR" series provides a hard black non-conductive anodize finish that insures years of service and yet the finish will show little signs of wear.

The coupling nut has been changed so that it has a larger grip area that allows for easier uncoupling and mating.

CONTROL LIGHTING

A 19 contact connector has been adapted as an "Industry Standard". There are 7 contacts in the center which are used for grounding. These 7 socket contacts protrude forward .100 inches further than the remaining 12. This assures you of a "grounding-first" or "make-before-break" situation.

Connectors may be ordered with either solder or crimp contacts. Several different backshell designs are available.

HMI LIGHTING

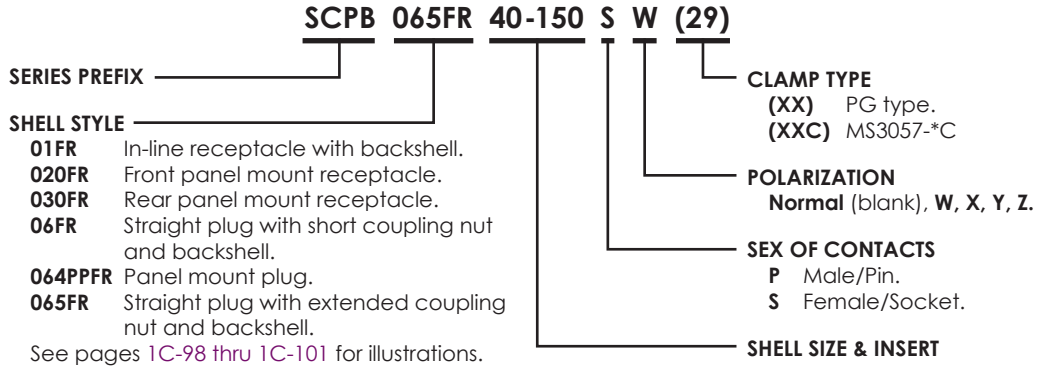
These connectors are used to power light fixtures from 575 watts through 18,000 watts. In order to prevent mating an incorrect plug to a receptacle, insert can be polarized.

Additionally, the backshell can be color coded: black, blue, gold, green or red, further insuring proper selection of a mating plug.

AUDIO CONNECTORS

SCPB REVERSE BAYONET SERIES

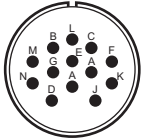
ORDERING INFORMATION



Most commonly used types are shown below.

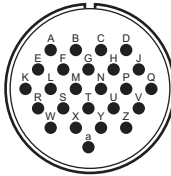
CHANNELS	TOTAL CONTACTS	CONTACT SIZE	INSERT NUMBER
4	13	16	20-11
8	25	16	24A25
12	37	16	28-21
16	54	16	32-22
28	85	16	40-56
48	150	18	40-150

SC108



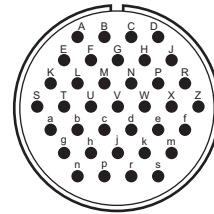
20-11†

13-#16



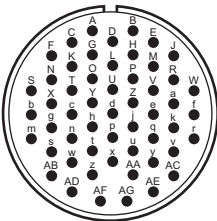
24A25

24-#16



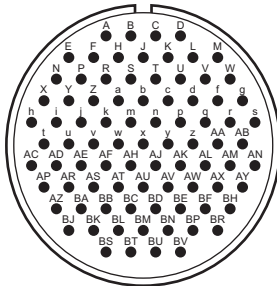
28-21†

37-#16



32-22†

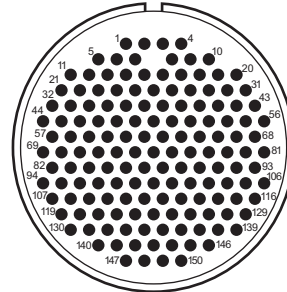
54-#16



40-56†

40A56

85-#16



40-150

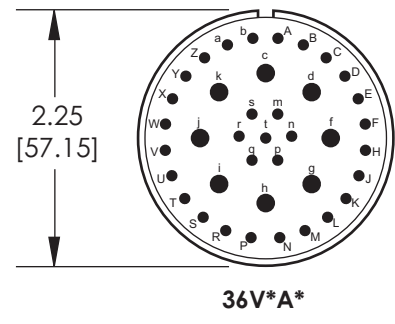
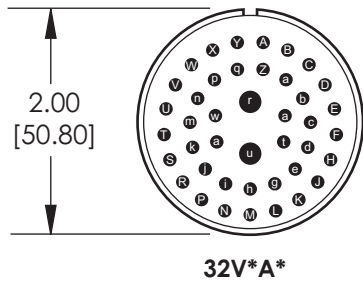
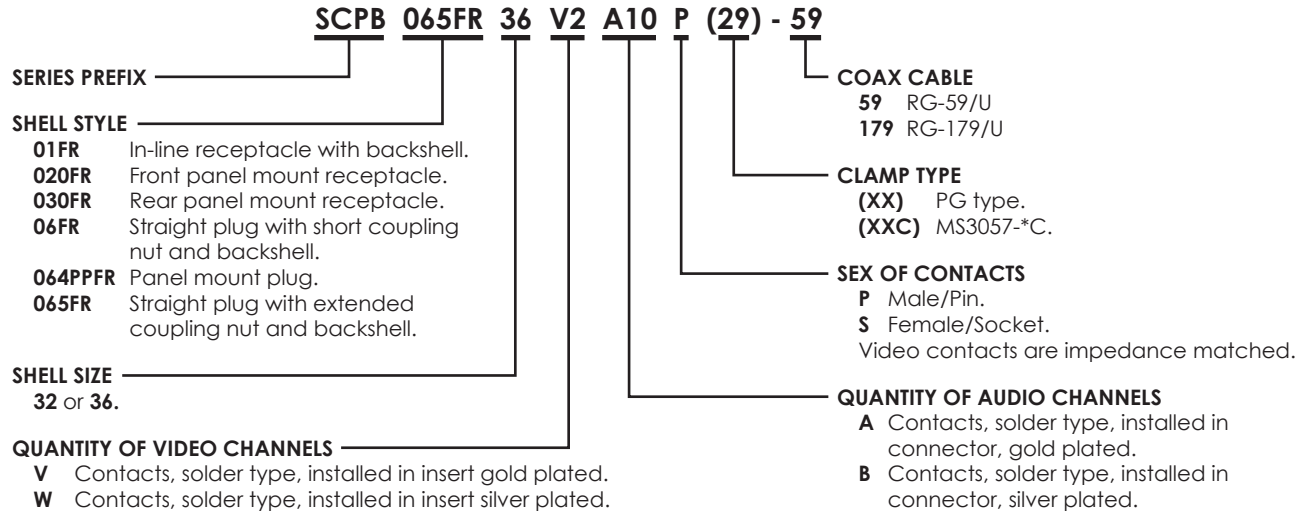
40A150

150-#18

COMBINATION AUDIO AND VIDEO CONNECTORS

SCPB REVERSE BAYONET SERIES

1C



42 CONTACTS 2 VIDEO 40 AUDIO SIZE 16

VIDEO	LETTER	AUDIO	+ (POS)	- (NEG)	GD
1	r	1	A	B	C
2	u	2	D	E	F
		3	H	J	K
		4	L	M	N
		5	P	R	S
		6	T	U	V
		7	W	X	Y
		8	Z	a	b
		9	c	d	e
		10	g	h	i
		11	j	k	m
		12	n	p	q
		13	s	w	v

NOTE: "t" is not used SC105

39 CONTACTS 8 VIDEO 31 AUDIO SIZE 16

VIDEO	LETTER	AUDIO	+ (POS)	- (NEG)	GD
1	c	1	A	B	C
2	h	2	D	E	F
3 (Red)	f	3	H	J	K
4 (Green)	j	4	L	M	N
5 (Blue)	k	5	P	R	S
6 (Horizontal)	d	6	T	U	V
7 (Vertical)	g	7	W	X	Y
8 (Sync)	i	8	Z	a	b
		9	n	p	q
		10	m	r	s

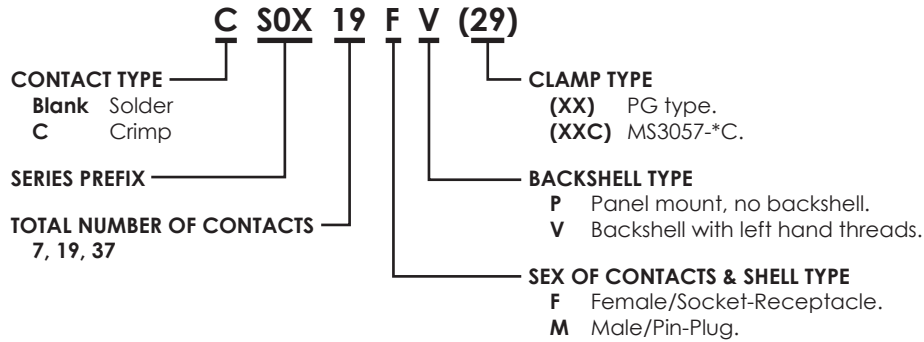
NOTE: "t" is not used SC106

Inserts are shown smaller than actual size

CONTROL LIGHTING CONNECTORS

CSOX AND SOX THREADED SERIES

ORDERING INFORMATION



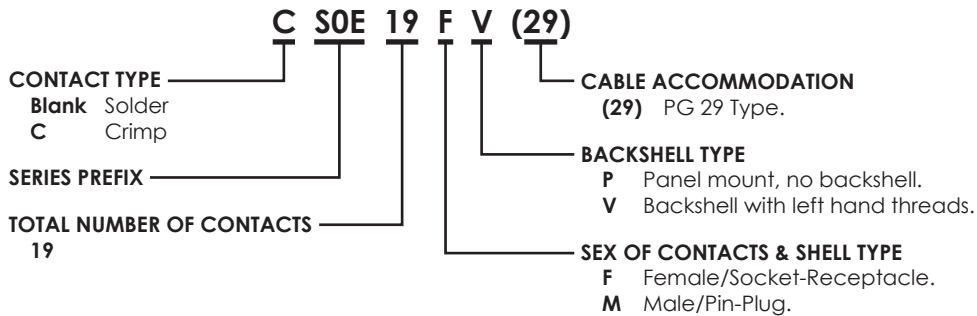
CROSS REFERENCE

DESCRIPTION	SOCAPEX	VEAM	SPACECRAFT	SEE PAGE
Panel Mount Female Receptacle	SLEF419AR	VSC020-32S-19S	CSOX19FP	1C-93
In-Line Female Receptacle w/ Backshell	SLFFDR419AR	VSC01SL-32S-19S(29)*	CSOX19FV(29)*	1C-93
In-Line Male Plug w/ Backshell	SLFMD419AR	VSC06SL-32S-19P(29)*	CSOX19MV(29)*	1C-94
Panel Mount Male Plug	SLEME419AR	VSC26-32S-19P	CSOX19MP	1C-94

BACKSHELLS AND SHELLS: Aluminum alloy, hard black anodize finish.
* Backshells have a left hand thread.
CONTACTS: Gold over nickel.

CSOE AND SOE SERIES

ORDERING INFORMATION

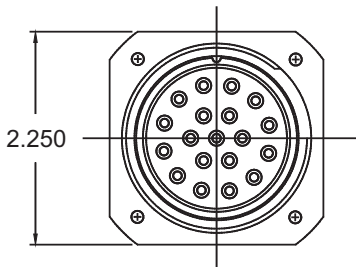


Material: Die cast aluminum
Finish: Black
Contacts: Gold over nickel

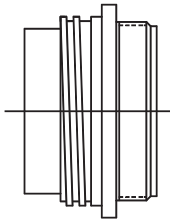
Shells are illustrated on pages 1C-93 and 1C-94.

CONTROL LIGHTING CONNECTORS

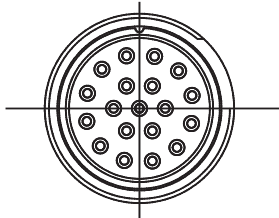
1C



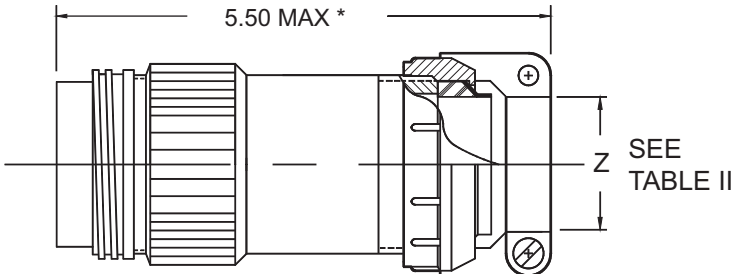
PANEL MOUNT RECEPTACLE



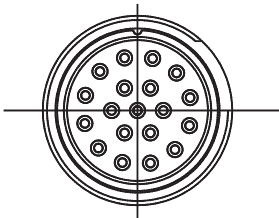
(C)S0X19FP or (C)S0E19FP



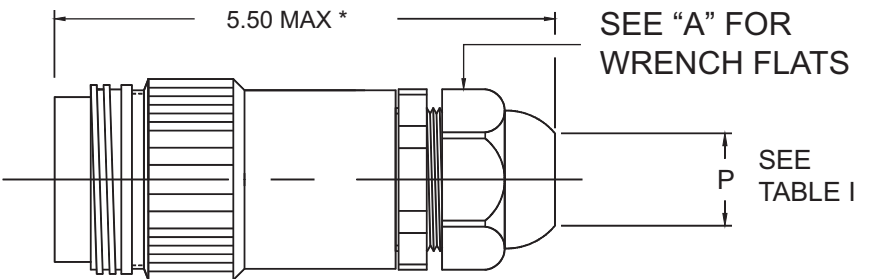
IN-LINE RECEPTACLE



(C)S0X19FV(XX)



IN-LINE RECEPTACLE



(C)S0X19FV(XX) or (C)S0E19FV(XX)

TABLE I: CABLE RANGE CODE

(XX) CLAMP CODE	TYPE	P CABLE RANGE		A WRENCH FLATS
		mm	(in.)	
07R	PG7	2.0-5.0	(0.08-0.20)	15.0
07	PG7	3.0-6.5	(0.12-0.26)	15.0
09R	PG9	2.0-6.0	(0.08-0.24)	19.0
09	PG9	4.0-8.0	(0.16-0.31)	19.0
11R	PG11	3.0-7.0	(0.12-0.28)	22.0
11	PG11	5.0-10.0	(0.20-0.39)	22.0
13R	PG13.5	5.0-9.0	(0.20-0.35)	24.0
13	PG013.5	6.0-12.0	(0.24-0.47)	24.0
16R	PG16	7.0-12.0	(0.28-0.47)	27.0
16	PG16	10.0-14.0	(0.39-0.55)	27.0
21R	PG21	9.0-16.0	(0.35-0.63)	33.0
21	PG21	13.0-18.0	(0.51-0.71)	33.0
29R	PG29	12.0-20.0	(0.47-0.79)	42.0
29	PG29	18.0-25.0	(0.71-0.98)	42.0
36R	PG36	20.0-26.0	(0.79-1.02)	53.0
36	PG36	22.0-32.0	(1.87-1.26)	53.0
42	PG42	30.0-38.0	(1.18-1.50)	60.0
48	PG48	34.0-44.0	(1.34-1.73)	65.0

SCPBVSCR

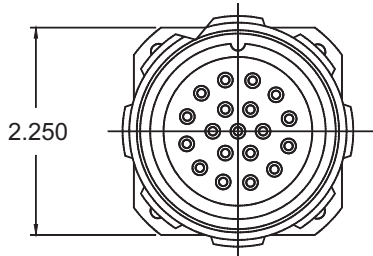
TABLE II: CLAMP CODE

(XX) CLAMP CODE	Z-CABLE RANGE	
	OPEN	CLOSED
04C	7.92 (.312)	2.40 (.095)
06C	11.12 (.438)	5.84 (.230)
08C	13.48 (.531)	8.0 (.315)
10C	15.87 (.625)	9.6 (.378)
12C	19.00 (.748)	11.3 (.445)
16C	23.80 (.937)	15.5 (.610)
20C	31.75 (1.250)	23.4 (.921)
24C	35.00 (1.378)	23.4 (.921)
28C	41.25 (1.624)	29.9 (1.177)
32C	47.60 (1.874)	34.9 (1.374)

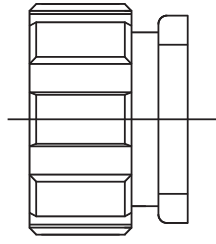
Dimensions are in mm or (xxx) inches.

* Dimension is dependent on the back-shell used, the cable range and the fitting used. Consult factory.

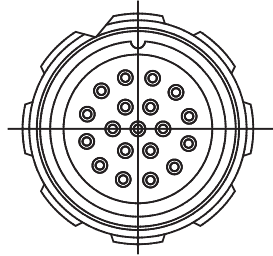
CONTROL LIGHTING CONNECTORS



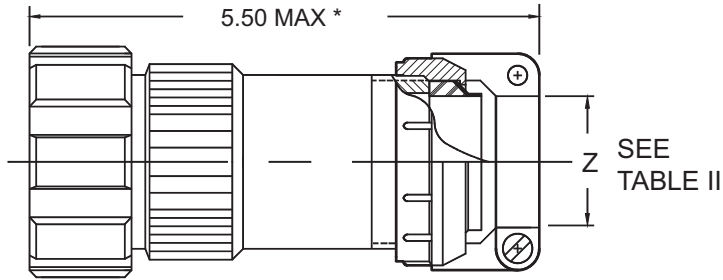
PANEL MOUNT PLUG



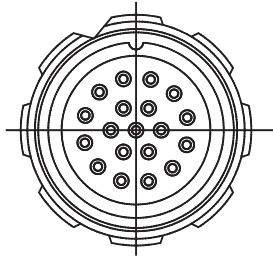
(C)S0X19MP or (C)S0E19MP



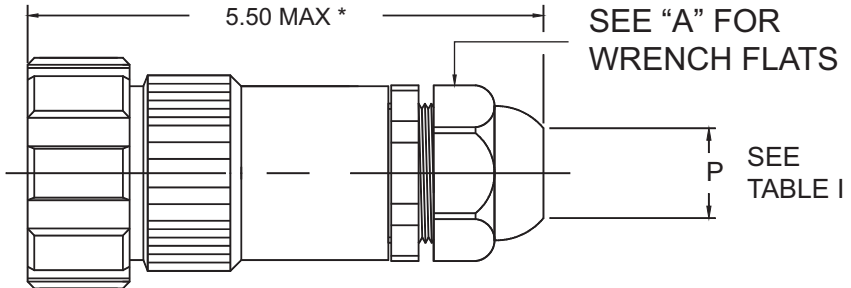
PLUG



(C)S0X19MV(XX)



PLUG



(C)S0X19MV(XX) or (C)S0E19MV(XX)

TABLE I: CABLE RANGE CODE

(XX) CLAMP CODE	TYPE	P CABLE RANGE		A WRENCH FLATS
		mm	(in.)	
07R	PG7	2.0-5.0	(0.08-0.20)	15.0
07	PG7	3.0-6.5	(0.12-0.26)	15.0
09R	PG9	2.0-6.0	(0.09-0.24)	19.0
09	PG9	4.0-8.0	(0.16-0.31)	19.0
11R	PG11	3.0-7.0	(0.12-0.28)	22.0
11	PG11	5.0-10.0	(0.20-0.39)	22.0
13R	PG13.5	5.0-9.0	(0.20-0.35)	24.0
13	PG013.5	6.0-12.0	(0.24-0.47)	24.0
16R	PG16	7.0-12.0	(0.28-0.47)	27.0
16	PG16	10.0-14.0	(0.39-0.55)	27.0
21R	PG21	9.0-16.0	(0.35-0.63)	33.0
21	PG21	13.0-18.0	(0.51-0.71)	33.0
29R	PG29	12.0-20.0	(0.47-0.79)	42.0
29	PG29	18.0-25.0	(0.71-0.98)	42.0
36R	PG36	20.0-26.0	(0.79-1.02)	53.0
36	PG36	22.0-32.0	(1.87-1.26)	53.0
42	PG42	30.0-38.0	(1.18-1.50)	60.0
48	PG48	34.0-44.0	(1.34-1.73)	65.0

SCPBVSCP

TABLE II: CLAMP CODE

(XX) CLAMP CODE	Z-CABLE RANGE	
	OPEN	CLOSED
04C	7.92 (.312)	2.40 (.095)
06C	11.12 (.438)	5.84 (.230)
08C	13.48 (.531)	8.0 (.315)
10C	15.87 (.625)	9.6 (.378)
12C	19.00 (.748)	11.3 (.445)
16C	23.80 (.937)	15.5 (.610)
20C	31.75 (1.250)	23.4 (.921)
24C	35.00 (1.378)	23.4 (.921)
28C	41.25 (1.624)	29.9 (1.177)
32C	47.60 (1.874)	34.9 (1.374)

Dimensions are in mm or (xxx) inches.

* Dimension is dependent on the backshell used, the cable range and the fitting used. Consult factory.

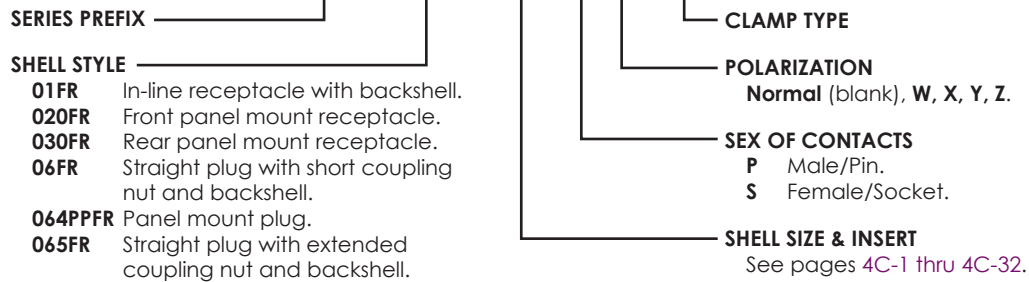
HMI LIGHTING CONNECTORS

SCPB REVERSE BAYONET SERIES

1C

ORDERING INFORMATION

SCPB 065FR 24-2 S W (29)



CROSS REFERENCE

DESCRIPTION	VEAM	SPACECRAFT
In-Line Receptacle w/ Backshell	CIR01FR	SCPB01FR
Front Panel Mount Receptacle	CIR020FR	SCPB020FR
Panel Mount Plug	CIR064PPFR	SCPB064PPFR
Straight Plug with Backshell	CIR065FR	SCPB065FR

BACKSHELLS AND SHELLS: Aluminum alloy, black hard anodize finish.
 CONTACTS: Silver plated crimp contacts. Solder contacts available on request.

HMI LIGHTING CONNECTORS

SCPB REVERSE BAYONET SERIES

Most popular HMI type connectors are listed below. Contact Sales for other types.

APPLICATION	SPACECRAFT PART NUMBER	SEX
2.5/4K Input Power Cable End Female Plug	SCPB065FR28-3S(29R)	Socket
2.5/4K Input Power Panel Mount Male Receptacle	SCPB030FR28-3P	Pin
6/12/18K In-Line Male Receptacle	SCPB01FR28-6P(290S)	Pin
6/12/18K Input Power Cable End Female Plug	SCPB065FR28-6S(290S)	Socket
6/12/18K Input Power Panel Mount Male Receptacle	SCPB030FR28-6P-AM	Pin
6/12/18K Panel Mount Female Plug	SCPB064PPFR28-6S	Socket
12K Cable End Male Receptacle	SCPB01FR36-3P(36)	Pin
12K Input Power Cable End Female Plug	SCPB065FR36-3S(36)	Socket
12K Input Power Panel Mount Male Receptacle	SCPB030FR36-3P	Pin
12K Panel Mount Female Plug	SCPB064PPFR36-3S	Socket
ARRIFLEX 6K In-Line Female Plug	SCPB065FR28-22S-326(290S)	Socket
ARRIFLEX 6K In-Line Male Receptacle	SCPB01FR28-22P-326(290S)	Pin
ARRIFLEX 6K Panel Mount Female Plug	SCPB064PPFR28-22S	Socket
ARRIFLEX 6K Panel Mount Male Receptacle	SCPB020FR28-22P	Pin
CINEMILLS 12/18K In-Line Male Plug	SCPB065FR28-10P(20C)	Pin
CINEMILLS 12/18K In-Line Female Receptacle	SCPB01FR28-10S(20C)	Socket
CINEMILLS 12/18K Panel Mount Female Receptacle	SCPB030FR28-10S	Socket
CINEMILLS 12/18K Panel Mount Male Plug	SCPB064PPFR28-10P	Pin
LTM 575/1200 In-Line Female Receptacle	SCPB01FR20-15S-18(922)	Socket
LTM 575/1200 In-Line Male Plug	SCPB065FR20-15P-18(922)	Pin
LTM 575/1200 Panel Mount Female Receptacle	SCPB020FR20-15S-18	Socket
LTM 575/1200 Panel Mount Male Plug	SCPB064PPFR20-15P	Pin
LTM 4K In-Line Female Receptacle	SCPB01FR924-11S(942)BY	Socket
LTM 4K In-Line Male Plug	SCPB065FR924-11P(942)BY	Pin
LTM 4K Panel Mount Female Receptacle	SCPB020FR924-11S	Socket
LTM 4K Panel Mount Male Plug	SCPB064PPFR924-11P	Pin
LTM 6/12/18K In-Line Female Receptacle	SCPB01FR28A9S-122-R8(20C)	Socket
LTM 6/12/18K In-Line Male Plug	SCPB065FR28A9P-GM-122-R8(20C)	Pin
LTM 6/12/18K Panel Mount Female Receptacle	SCPB020FR28A9S-122-R8	Socket
LTM 6/12/18K Panel Mount Male Plug	SCPB064PPFR12-28A9P-GM	Pin
STRAND 575W In-Line Female Receptacle	SCPB01FR24-2SZ(941)BG	Socket
STRAND 575W In-Line Male Plug	SCPB065FR24-2PZ(941)BG	Pin
STRAND 575W Panel Mount Female Receptacle	SCPB030FR24-2SZ	Socket
STRAND 575W Panel Mount Male Plug	SCPB064PPFR24-2PZ	Pin
STRAND 2.5K In-Line Female Receptacle	SCPB01FR24-2S(941)BR	Socket
STRAND 2.5K In-Line Male Plug	SCPB06524-2P(941)BR	Pin
STRAND 2.5K Panel Mount Female Receptacle	SCPB030FR24-2S	Socket
STRAND 2.5K Panel Mount Male Plug	SCPB064PPFR24-2P	Pin
STRAND 4K In-Line Female Receptacle	SCPB01FR24-11S(941)BB	Socket
STRAND 4K In-Line Male Plug	SCPB065FR24-11P(941)BB	Pin
STRAND 4K Panel Mount Female Receptacle	SCPB030FR24-11S	Socket
STRAND 4K Panel Mount Male Plug	SCPB064PPFR24-11P	Pin
STRAND 6K In-Line Female Receptacle	SCPB01FR32-68S(290S)	Socket
STRAND 6K In-Line Male Plug	SCPB065FR32-68P(290S)	Pin
STRAND 6K Panel Mount Female Receptacle	SCPB030FR32-68S	Socket
STRAND 6K Panel Mount Male Plug	SCPB064PPFR32-68P	Pin
STRAND 12K In-Line Female Receptacle	SCPB01FR40A10S(290S)	Socket
STRAND 12K In-Line Male Plug	SCPB065FR40A10P(290S)	Pin
STRAND 12K Panel Mount Female Receptacle	SCPB030FR40A10S	Socket
STRAND 12K Panel Mount Male Plug	SCPB064PPFR40A10P	Pin
STRAND 12K Panel Mount Male Plug W/LKG RING	SCPB064PPFR24-2PW	Pin
STRAND 12K In-Line Male Plug	SCPB065FR24-2PW(941)BY	Pin
STRAND 12K In-Line Female Receptacle	SCPB01FR24-2SW(941)BY	Socket
STRAND 12K Panel Mount Female Receptacle	SCPB030FR24-2SW	Socket

SC107

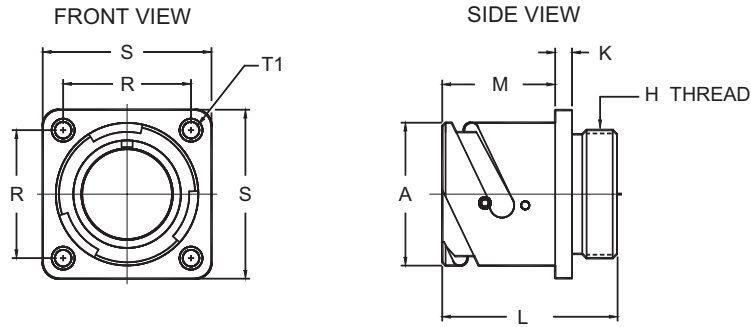
HMI LIGHTING CONNECTORS

WALL MOUNT RECEPTACLE

FRONT PANEL MOUNT SCPB020FR

REAR PANEL MOUNT SCPB030FR

1C



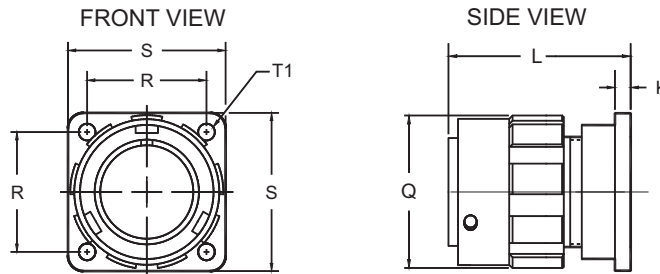
FINISH: BLACK ANODIZE
CONTACTS: F80 SILVER PLATED CRIMP CONTACTS

SHELL SIZE	FRONT VIEW			SIDE VIEW				SHELL TYPE	
	R ±0.1	S ±0.3	T1 +0.1 -0.0	A +0.00 -0.15	H THREAD CLASS 2A	K ±0.2	L ±0.3	020 M +0.4 -0.0	030 M +0.4 -0.0
10SL	18.2	25.4	3.2	18.2	5/8-24 UNEF	2.8	27.6	14.2	18.2
14S	23.0	30.0	3.2	24.6	3/4-20 UNEF	3.2	27.6	14.2	18.2
16S	24.6	32.5	3.2	27.4	7/8-20 UNEF	3.2	27.6	14.2	18.2
16	24.6	32.5	3.2	27.4	7/8-20 UNEF	3.2	33.8	19.0	23.05
18	27.0	35.0	3.2	30.8	1-20 UNEF	4.0	33.8	19.0	23.05
20	29.4	38.0	3.2	34.2	1 1/8-18 UNEF	4.0	33.8	19.0	23.05
22	31.8	41.0	3.2	37.4	1 1/4-18 UNEF	4.0	33.8	19.0	23.05
24	34.9	44.5	3.7	40.9	1 3/8-18 UNEF	4.0	35.8	20.6	23.05
28	39.7	50.8	3.7	46.7	1 5/8-18 UNEF	4.0	35.8	20.6	24.05
32	44.5	57.0	4.3	53.4	1 7/8-16 UN	4.0	37.3	22.2	24.05
36	49.2	63.5	4.3	59.6	2 1/16-16 UN	4.0	37.3	22.2	24.05
40	55.5	69.9	4.3	65.5	2 5/16-16 UNS	4.0	37.3	22.2	24.05

DIMENSIONS ARE IN MM.

WALL MOUNT PLUG

SCPB064PPFR



064PPFR Environmental when used with sealing gasket

FINISH: BLACK ANODIZE
CONTACTS: F80 SILVER PLATED CRIMP CONTACTS

SHELL SIZE	FRONT VIEW			SIDE VIEW		
	R ±0.1	S ±0.8	T1 +0.2 -0.1	K +0.5 -0.2	L MAX.	Q MAX.
10SL	18.2	25.4	3.2	2.8	29.9	25.3
14S	23.0	30.0	3.2	3.2	29.9	31.7
16S	24.6	32.5	3.2	3.2	35.1	35.9
16	24.6	32.5	3.2	3.2	35.1	35.9
18	27.0	35.0	3.2	3.2	40.2	39.5
20	29.4	38.0	3.2	3.2	43.8	42.9
22	31.8	41.0	3.2	3.8	43.8	46.1
24	34.9	44.5	3.7	3.8	43.8	49.5
28	39.7	50.8	3.7	4.0	44.0	56.9
32	44.5	57.0	4.3	4.0	45.1	63.7
36	49.2	63.5	4.3	4.0	45.1	70.1
40	55.5	69.9	5.2	4.0	45.1	75.7

DIMENSIONS ARE IN MM.

HMI LIGHTING CONNECTORS

IN-LINE RECEPTACLE

SCPBO1FR

SCPBO65FR ENVIRONMENTAL

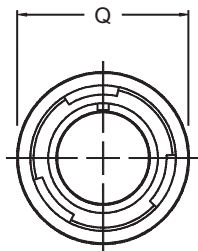
EXAMPLE PART NUMBER: SCPB01FR24-28P-(XX)

CLAMP CODE

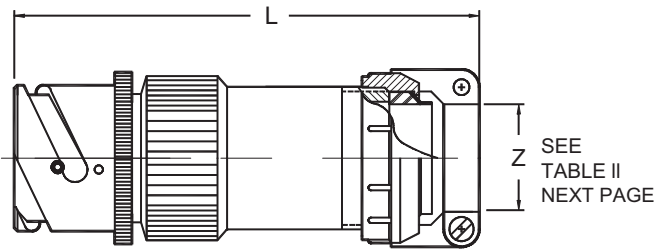
FINISH: BLACK ANODIZE

CONTACTS: F80 SILVER PLATED CRIMP CONTACTS

FRONT VIEW

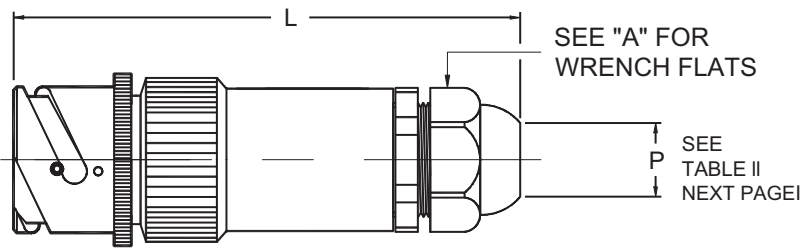
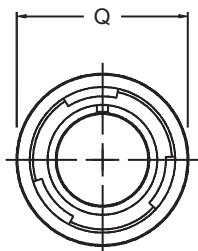


SIDE VIEW



SEE TABLE II
NEXT PAGE

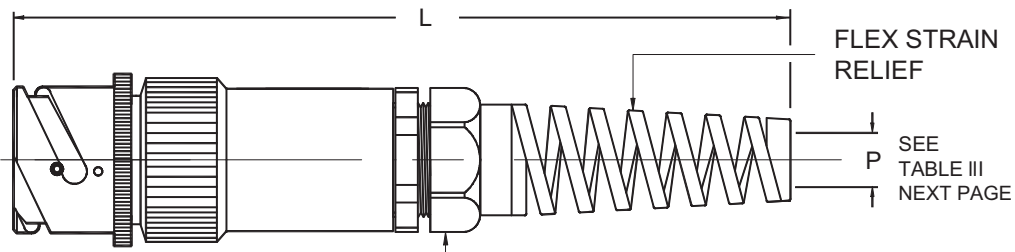
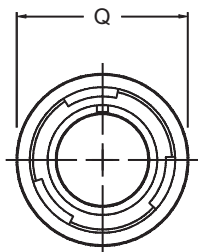
SCPB01FR** - **C



SEE "A" FOR
WRENCH FLATS

SEE TABLE II
NEXT PAGE

SCPB01FR** - **PG

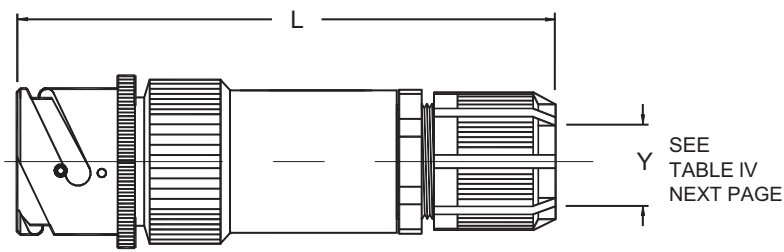
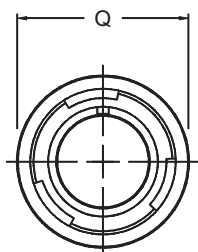


FLEX STRAIN
RELIEF

SEE TABLE III
NEXT PAGE

SEE "A" FOR
WRENCH FLATS

SCPB01FR** - **SPB



SEE TABLE IV
NEXT PAGE

SCPB01FR** - 9**

HMI LIGHTING CONNECTORS

IN-LINE RECEPTACLE

SCPBO1FR

1C

TABLE I

	FRONT VIEW	SIDE VIEW
SHELL SIZE	Q DIA. MAX.	L
10SL	22.5	* Dimension L is dependent on the backshell used, the cable range and the fitting used. Consult factory.
14S	29.5	
16S	31.5	
16	31.5	
18	34.5	
20	37.5	
22	40.5	
24	44.5	
28	50.0	
32	56.5	
36	63.0	
40	69.0	

DIMENSIONS ARE IN MM.

* CONSULT FACTORY

TABLE II: CLAMP CODE

(XX) CLAMP CODE	Z - CABLE RANGE	
	OPEN	CLOSED
04C	7.92	2.40
06C	11.12	5.84
08C	13.48	8.0
10C	15.87	9.6
12C	19.00	11.3
16C	23.80	15.5
20C	31.75	23.4
24C	35.00	23.4
28C	41.25	29.9
32C	47.60	34.9

TABLE III: CABLE RANGE CODE

(XX) CABLE CODE		TYPE	P CABLE RANGE		A WRENCH FLATS
FLEX STRAIN RELIEF	NO STRAIN RELIEF		MM	(INCHES)	
SPB07R	07R	PG7	2.0-5.0	(0.08-0.20)	15.0
SPB07	07	PG7	3.0-6.5	(0.12-0.26)	15.0
SPB09R	09R	PG9	2.0-6.0	(0.08-0.24)	19.0
SPB09	09	PG9	4.0-8.0	(0.16-0.31)	19.0
SPB11R	11R	PG11	3.0-7.0	(0.12-0.28)	22.0
SPB11	11	PG11	5.0-10.0	(0.20-0.39)	22.0
SPB13R	13R	PG13.5	5.0-9.0	(0.20-0.35)	24.0
SPB13	13	PG13.5	6.0-12.0	(0.24-0.47)	24.0
SPB16R	16R	PG16	7.0-12.0	(0.28-0.47)	27.0
SPB16	16	PG16	10.0-14.0	(0.39-0.55)	27.0
SPB21R	21R	PG21	9.0-16.0	(0.35-0.63)	33.0
SPB21	21	PG21	13.0-18.0	(0.51-0.71)	33.0
SPB29R	29R	PG29	12.0-20.0	(0.47-0.79)	42.0
SPB29	29	PG29	18.0-25.0	(0.71-0.98)	42.0
SPB36R	36R	PG36	20.0-26.0	(0.79-1.02)	53.0
SPB36	36	PG36	22.0-32.0	(0.87-1.26)	53.0
SPB42	42	PG42	30.0-38.0	(1.18-1.50)	60.0
SPB48	48	PG48	34.0-44.0	(1.34-1.73)	65.0

TABLE IV

SHELL SIZES	CABLE CODE	Y CABLE RANGE	
		MM	(INCHES)
10SL,12S,14S 16,16S,18 20	920	3.0-9.4	(.125-.375)
	921	7.9-14.2	(.310-.560)
	922	12.7-19.1	(.500-.750)
18,20 22,24	930	3.0-9.4	(.125-.375)
	931	7.9-14.2	(.310-.560)
	932	12.7-19.1	(.500-.750)
24,28,32 36,40	940	7.9-14.2	(.310-.560)
	941	12.7-19.1	(.500-.750)
	942	17.8-24.1	(.700-.950)

HMI LIGHTING CONNECTORS

STRAIGHT PLUG

SCPBO65FR

SCPBO65FR ENVIRONMENTAL

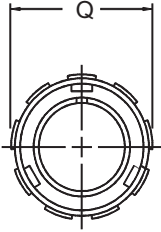
EXAMPLE PART NUMBER: SCPBO65FR24-28P-(XX)

FINISH: BLACK ANODIZE

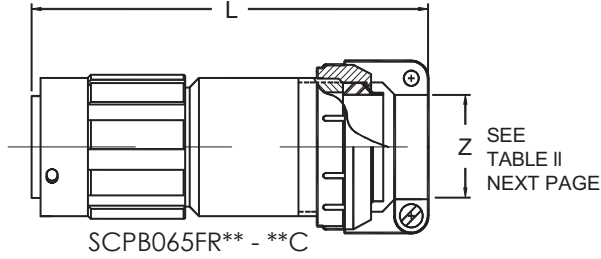
CONTACTS: F80 SILVER PLATED CRIMP CONTACTS

CLAMP CODE

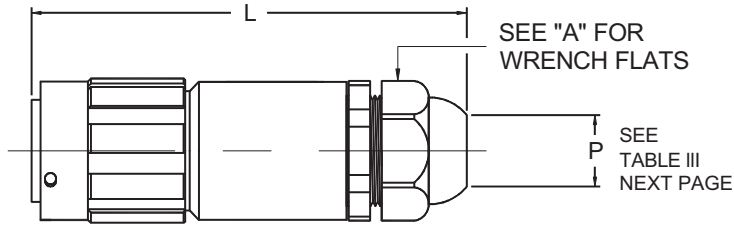
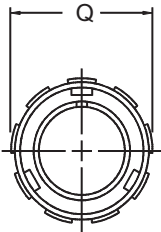
FRONT VIEW



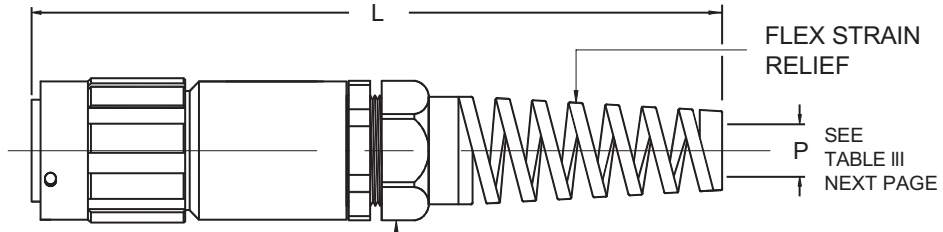
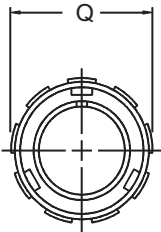
SIDE VIEW



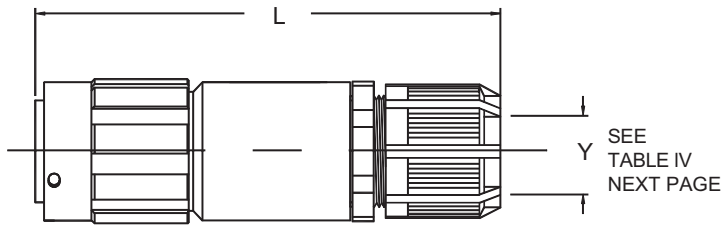
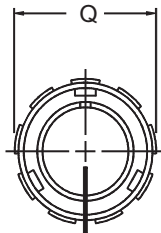
SCPBO65FR** - **C



SCPBO65FR** - **PG



SCPBO65FR** - **SPB



SCPBO65FR** - 9**

TABLE I

SHELL SIZE	FRONT VIEW	SIDE VIEW
	Q DIA. MAX.	L
10SL	22.5	* Dimension L is dependent on the backshell used, the cable range and the fitting used. Consult factory.
14S	29.5	
16S	31.5	
16	31.5	
18	34.5	
20	37.5	
22	40.5	
24	44.5	
28	50.0	
32	56.5	
36	63.0	
40	69.0	

DIMENSIONS ARE IN MM.

* CONSULT FACTORY

TABLE II: CLAMP CODE

(XX) CLAMP CODE	Z - CABLE RANGE	
	OPEN	CLOSED
04C	7.92	2.40
06C	11.12	5.84
08C	13.48	8.0
10C	15.87	9.6
12C	19.00	11.3
16C	23.80	15.5
20C	31.75	23.4
24C	35.00	23.4
28C	41.25	29.9
32C	47.60	34.9

TABLE III: CABLE RANGE CODE

(XX) CABLE CODE		TYPE	P CABLE RANGE		A WRENCH FLATS
FLEX STRAIN RELIEF	NO STRAIN RELIEF		MM	(INCHES)	
SPB07R	07R	PG7	2.0-5.0	(0.08-0.20)	15.0
SPB07	07	PG7	3.0-6.5	(0.12-0.26)	15.0
SPB09R	09R	PG9	2.0-6.0	(0.08-0.24)	19.0
SPB09	09	PG9	4.0-8.0	(0.16-0.31)	19.0
SPB11R	11R	PG11	3.0-7.0	(0.12-0.28)	22.0
SPB11	11	PG11	5.0-10.0	(0.20-0.39)	22.0
SPB13R	13R	PG13.5	5.0-9.0	(0.20-0.35)	24.0
SPB13	13	PG13.5	6.0-12.0	(0.24-0.47)	24.0
SPB16R	16R	PG16	7.0-12.0	(0.28-0.47)	27.0
SPB16	16	PG16	10.0-14.0	(0.39-0.55)	27.0
SPB21R	21R	PG21	9.0-16.0	(0.35-0.63)	33.0
SPB21	21	PG21	13.0-18.0	(0.51-0.71)	33.0
SPB29R	29R	PG29	12.0-20.0	(0.47-0.79)	42.0
SPB29	29	PG29	18.0-25.0	(0.71-0.98)	42.0
SPB36R	36R	PG36	20.0-26.0	(0.79-1.02)	53.0
SPB36	36	PG36	22.0-32.0	(0.87-1.26)	53.0
SPB42	42	PG42	30.0-38.0	(1.18-1.50)	60.0
SPB48	48	PG48	34.0-44.0	(1.34-1.73)	65.0

TABLE IV

SHELL SIZES	CABLE CODE	Y CABLE RANGE	
		MM	(INCHES)
10SL,12S,14S 16,16S,18 20	920	3.0-9.4	(.125-.375)
	921	7.9-14.2	(.310-.560)
	922	12.7-19.1	(.500-.750)
18,20 22,24	930	3.0-9.4	(.125-.375)
	931	7.9-14.2	(.310-.560)
	932	12.7-19.1	(.500-.750)
24,28,32 36,40	940	7.9-14.2	(.310-.560)
	941	12.7-19.1	(.500-.750)
	942	17.8-24.1	(.700-.950)

SHELL SIZE 52 TRANSIT CONNECTORS

INTRODUCTION

This series of connectors has been developed to be intermateable and interchangeable with the ITT Veam CIR290 Series.

Our standard part numbering system differs from the one used by ITT Veam. The notable differences are the suffix codes as noted below.

ITT VEAM	SPACECRAFT
PF = Receptacle - Socket Contacts	SCPBH020/030 (Class + Insert) S*
PV = Plug - Socket Contacts	SCPBH06 (Class + Insert) S*
SF = Receptacle - Pin Contacts	SCPBH020/030 (Class + Insert) P*
SV = Plug - Pin Contacts	SCPBH06 (Class + Insert) P*
SLV = 90° Plug - Pin Contacts	SCPBH08 (Class + Insert) P*
PVL = 90° Plug - Socket Contacts	SCPBH08 (Class + Insert) S*
45 = 45° Backshell	SCPBH09 (Class + Insert) P or S*

This series is used principally in the transit rail industry. Their main characteristic is the fast and precise coupling of the receptacle and plug. Three bayonet ramps on the receptacle connector allow for a fast and perfect coupling with only a one-quarter turn of the coupling nut. The receptacle has three stainless steel studs at the top of the ramp which add additional strength and allow for multiple mating and unmating of the connectors without wear to the ramps. The coupling nut on the plug has roller studs made from stainless steel to facilitate the coupling on the ramps of the receptacle.

The mated connector withstands high vibration and shock while maintaining an excellent watertight seal. This is achieved through the use of a wave washer of stainless steel inside the coupling nut and a properly aligned gasket on the plug shell.

The coupling nut and backshell assembly can be rubber covered with different types of rubber for added protection.

These connectors accept crimp type contacts (F80) to accommodate standard AWG, coaxial, twinax and triaxial wire.

Special contacts are also available for high current application (up to 1200 amps).

GENERAL INFORMATION

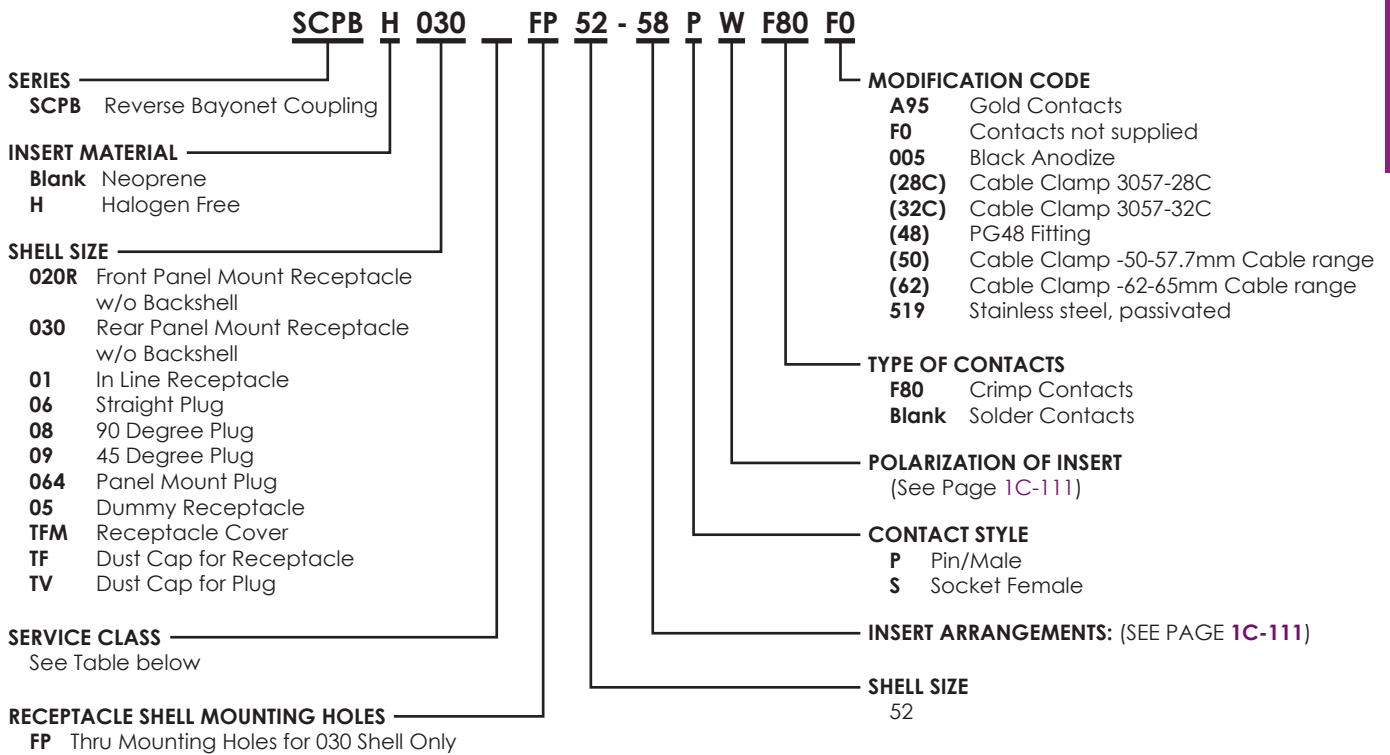
- SHELLS:
- Aluminum alloy with rubber covering optional
 - Copper alloy or stainless steel available
- INSERTS:
- Halogen-free/low smoke/low toxicity
 - Chloroprene rubber
 - Silicone or fluorocarbon rubber available
- CONTACTS:
- Copper alloy
 - Silver and gold plating
 - Alumel, Chromel, Iron, Constantan materials are available

DESCRIPTION	SIZE 52	STANDARD
Number of keyways	5	1
Rubber covered coupling nut on plugs	Standard	Optional
Rubber covered backshells	Optional	Optional
Number of shell sizes	1	14
Grounding spring on plug	Optional	Optional
Halogen-free insert material	Standard	Optional

SHELL SIZE 52 TRANSIT CONNECTORS

ORDERING INFORMATION

1C



- SHELLS:**
- Aluminum alloy with rubber covering optional
 - Copper alloy or stainless steel available
- INSERTS:**
- Halogen-free/low smoke/low toxicity
 - Chloroprene rubber
 - Silicone or fluorocarbon rubber available
- CONTACTS:**
- Copper alloy
 - Silver and gold plating
 - Alumel, Chromel, Iron, Constantan materials are available

SERVICE CLASS

CLASS	DESCRIPTION
R52-***	Environmental, Front Panel Mount with thru Mounting Holes
RFP52-**	Environmental, Rear Panel Mount with thru Mounting Holes
LPGF52-***(48)	Metal Backshell and Internal/Female threads for PG48 Fitting
LPGF52-***(48)	Metal Backshell and Internal/Male threads for PG48 Fitting
LCFG52-***(28C)	Rubber Cover Backshell with Cable Clamp Size 28C
LCFG52-***(32C)	Rubber Cover Backshell with Cable Clamp Size 32C
AMPL52-***(50)	Rubber Cover Backshell and Cable Clamp 50-57.5mm
AMPL52-***(62)	Rubber Cover Backshell and Cable Clamp 62-65mm
NM52-***	Rubber Cover Backshell for Rubber Conduit
LPGFG-***(48)	Rubber Cover Backshell and Internal/Female Threads for PG48 Fitting
LPGMG-***(48)	Rubber Cover Backshell and Internal/Male Threads for PG48 Fitting
CF52-***(28C)	Metal Backshell and Cable Clamp Size 28C
CFR52-***(50)	Metal Backshell and Cable Clamp 50-57.5mm

SHELL SIZE 52 TRANSIT CONNECTORS

GENERAL INFORMATION

DESCRIPTION	SIZE 52	STANDARD
Number of keyways	5	1
Rubber covered coupling nut on plugs	Standard	Optional
Rubber covered backshells	Optional	Optional
Number of shell sizes	1	14
Grounding spring on plug	Optional	Optional
Halogen-free insert material	Standard	Optional

ELECTRICAL DATA CONTACT RATING

Contact size AWG	Max current *	Rated and tests current	Maximum voltage drop (Millivolt) *
16	22 A	13 A	74 mV
12	41 A	23 A	63 mV
8	73 A	46 A	65 mV
4	135A	80 A	58 mV
0	245A	130 A	53 mV
4/0	350 A	225 A	53 mV

= Applicable for short time

* According to MIL-DTL-39029 D. Test with nickel-plated wire.

INSERT ARRANGEMENT SERVICE RATING

Service rating	Operating voltage DC (at sea level)	Operating voltage AC (at sea level)
I	250 V	200 V
A	700 V	500 V
D	1,250 V	900 V
E	1,750 V	1,250 V
B	2,450 V	1,750 V
C	4,200 V	3,000 V

DIELECTRIC STRENGTH (STANDARD SEA LEVEL CONDITIONS)

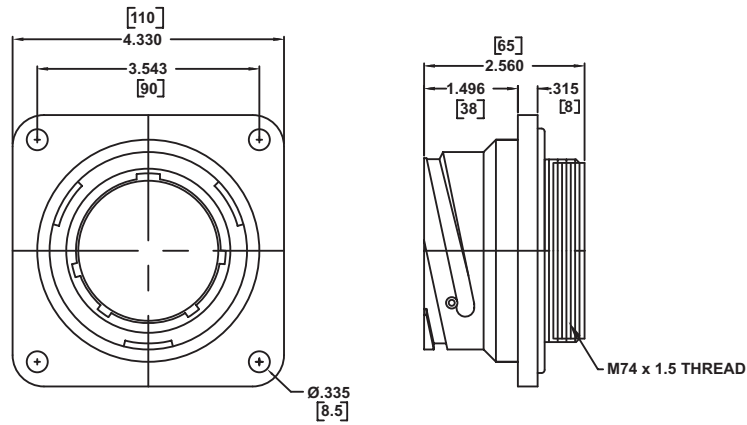
Service rating	Maximum flashover ac rms	Test Voltage ac rms
I	1,400 V	1,000 V
A	2,800 V	2,000 V
D	3,500 V	2,800 V
E	4,500 V	3,500 V
B	5,700 V	4,500 V
C	5,500 V	7,000 V



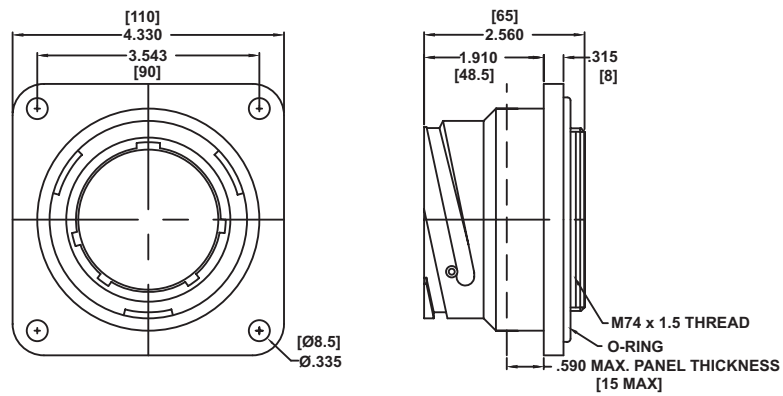
SHELL SIZE 52 TRANSIT CONNECTORS

1C

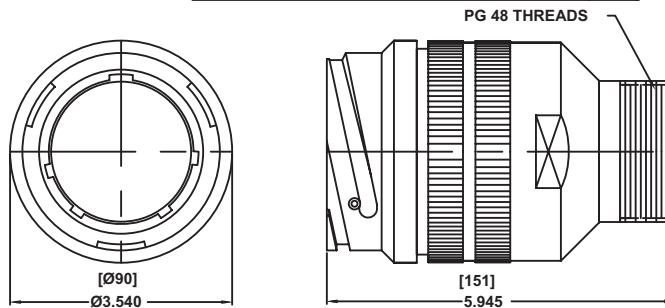
SCPBH020R52XXX



SCPBH030FP52XXX

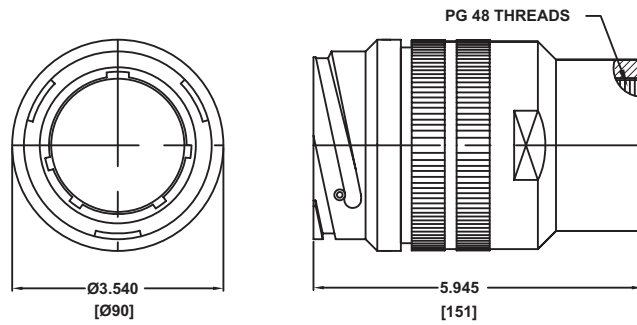


SCPBH01LPGM52XXX(48)

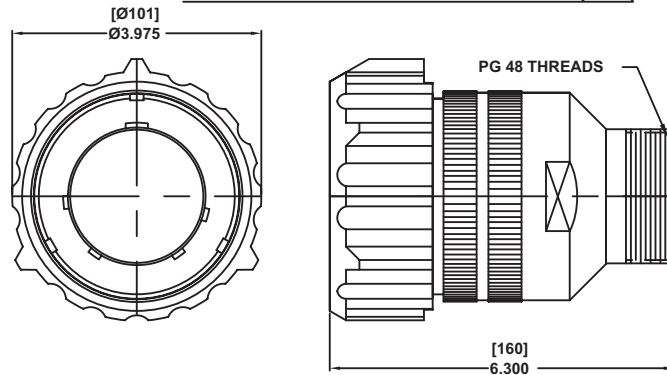


SHELL SIZE 52 TRANSIT CONNECTORS

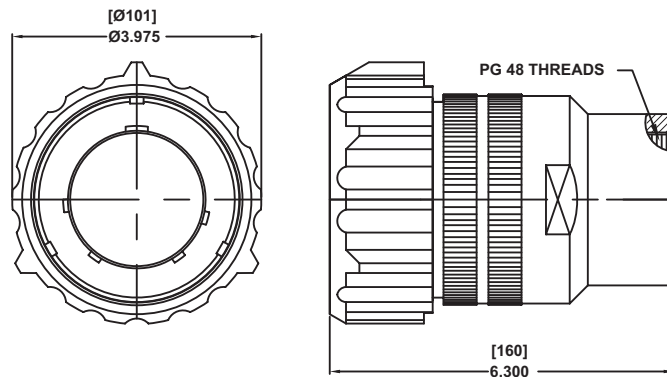
SCPBH01LPGF52XXX(48)



SCPBH06LPGM52XXX(48)



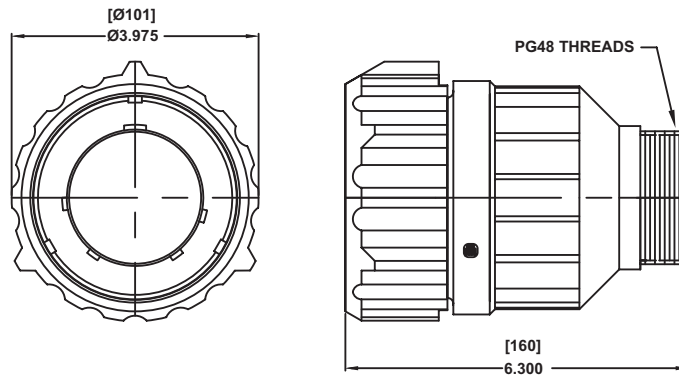
SCPBH06LPGF52XXX(48)



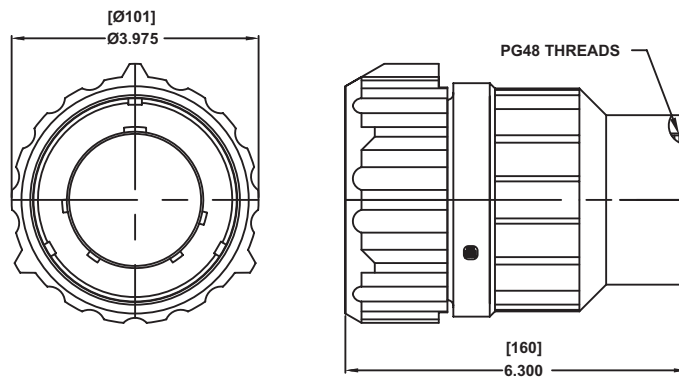
SHELL SIZE 52 TRANSIT CONNECTORS

1C

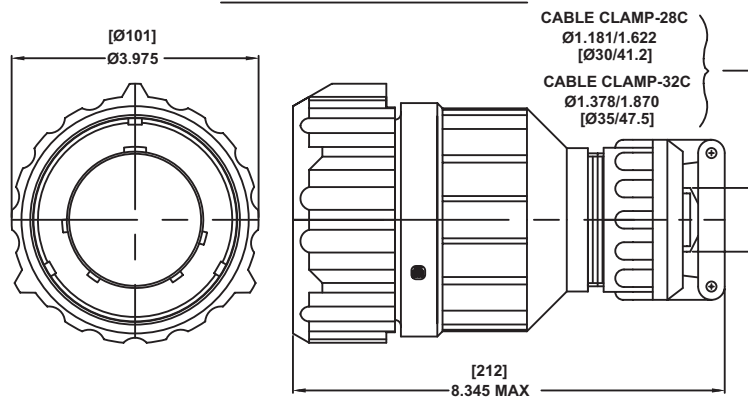
SCPBH06LPGMG52XXX(48)



SCPBH06LPGFG52XXX(48)

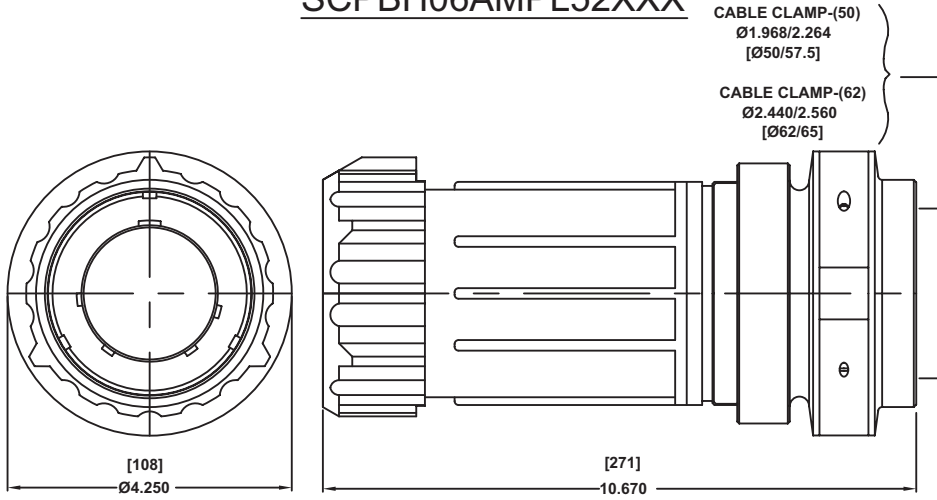


SCPBH06LCFG52

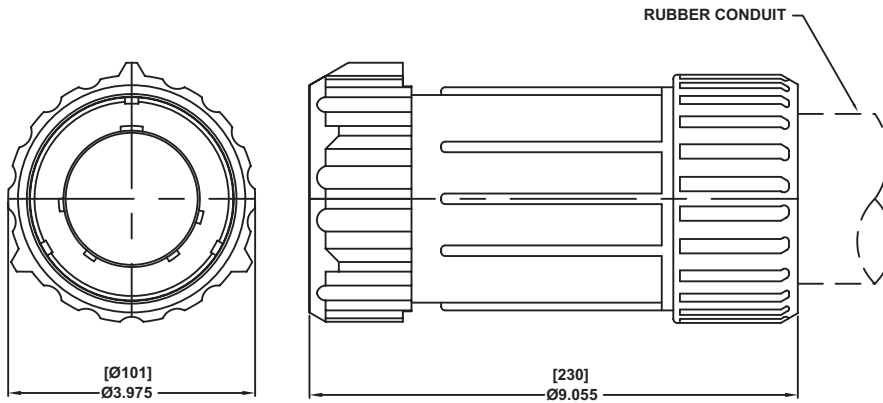


SHELL SIZE 52 TRANSIT CONNECTORS

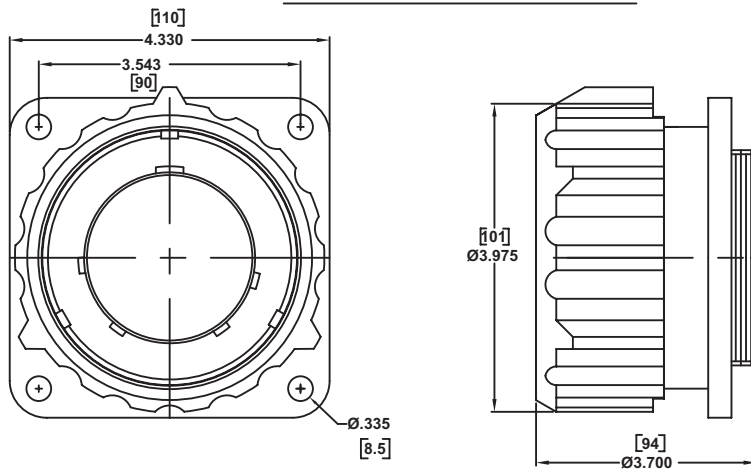
SCPBH06AMPL52XXX



SCPBH06NM52XXX



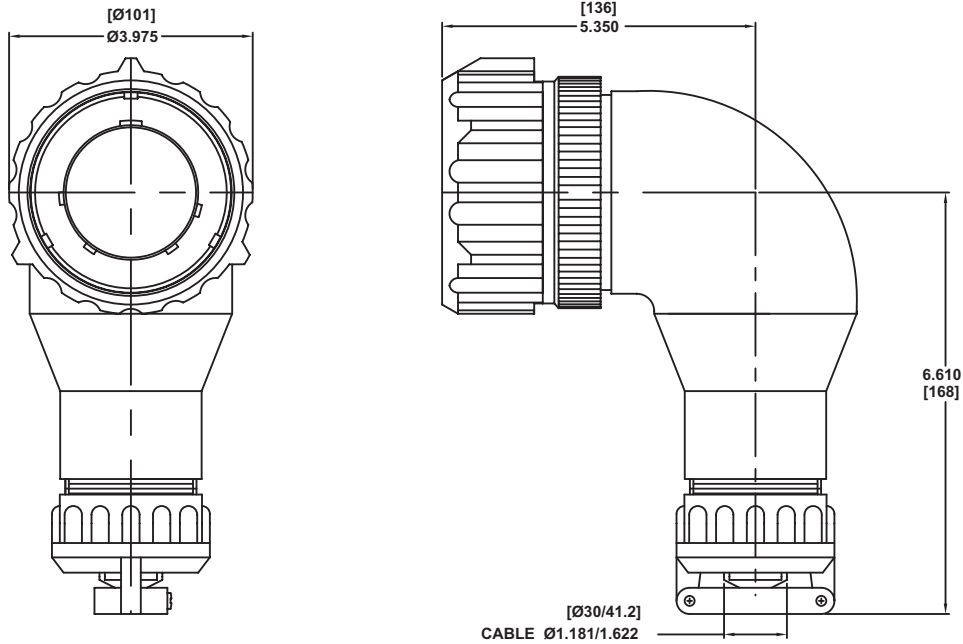
SCPBH064PP52XXX



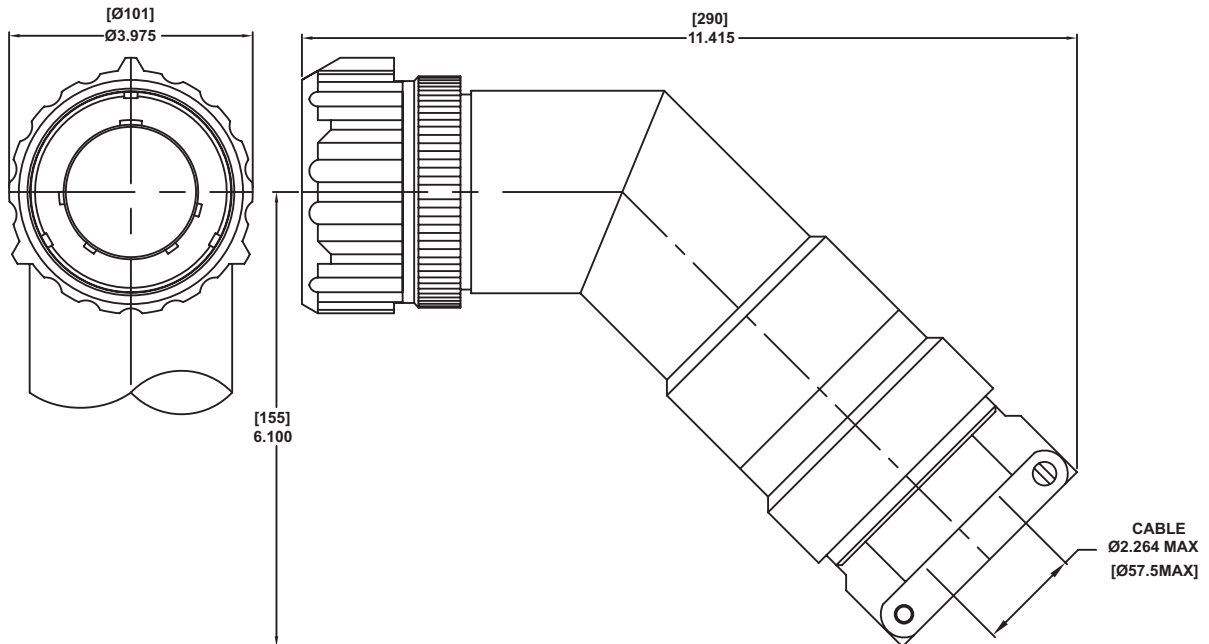
SHELL SIZE 52 TRANSIT CONNECTORS

1C

SCPBH08CF52XXX(28C)

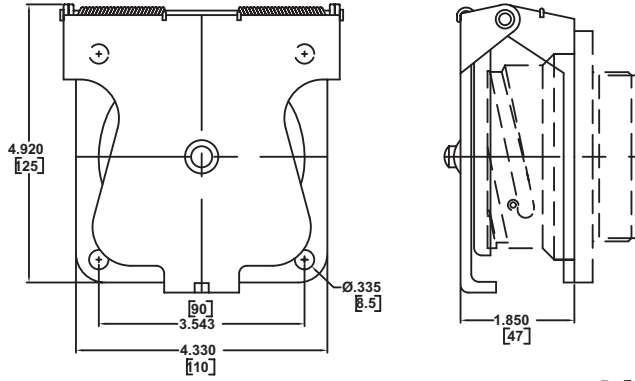


SCPBH09CF52XXX

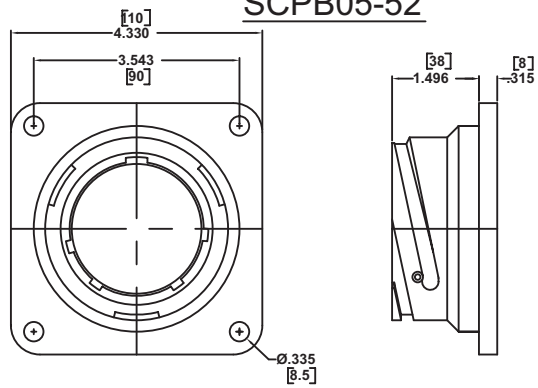


SHELL SIZE 52 TRANSIT CONNECTORS

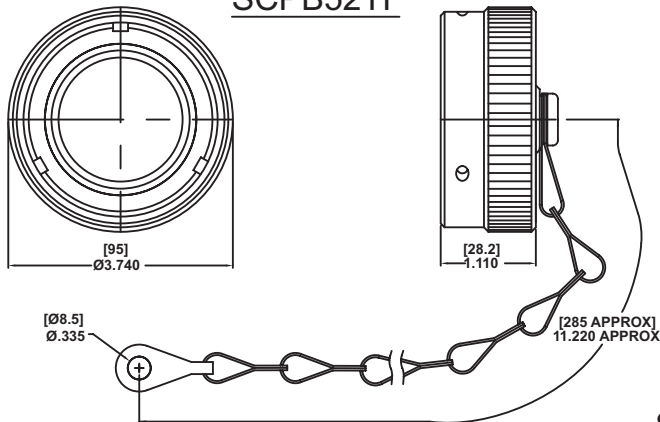
SCPB52TFM



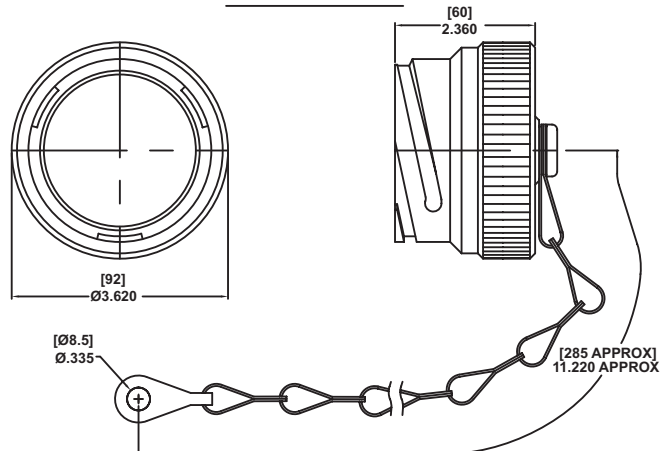
SCPB05-52



SCPB52TF



SCPB52TV

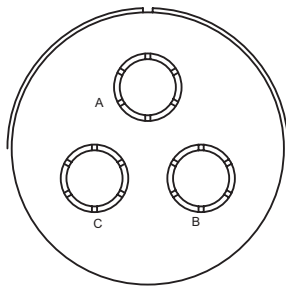


SHELL SIZE 52 TRANSIT CONNECTORS

1C

INSERT NUMBER	CONTACTS							ALTERNATE POSITIONS (Degree)				REMARKS
	TOTAL	SIZE						W	X	Y	Z	
		16	12	8	4	1/0	4/0					
52-3	3	-	-	-	-	-	3	-	-	-	-	
52-4	4	-	-	-	-	-	-	-	-	-	-	Special Contacts
52-6	6	-	3	-	-	-	3	-	-	-	-	
52-9	9	-	3	-	-	6	-	-	-	-	-	
52-12	12	-	-	5	-	7	-	-	-	-	-	
52-14	14	-	10	-	-	4	-	-	-	-	-	
52-42	42	-	42	-	-	-	-	-	-	-	-	
52-47	47	36	4	5	2	-	-	-	-	-	-	
52-49	49	-	44	-	5	-	-	-	-	-	-	
52-58	58	-	57	1	-	-	-	80	110	250	280	
52-66	66	-	66	-	-	-	-	-	-	-	-	
52-74	74	74	-	-	-	-	-	-	-	-	-	
52-101	101	101	-	-	-	-	-	-	-	-	-	

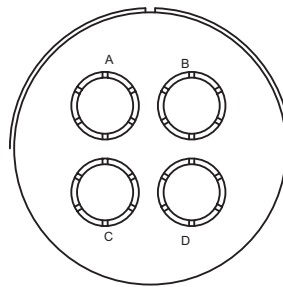
3 CONTACTS



Insert Arrangement
Number of Contacts
Contact Size
Service Rating

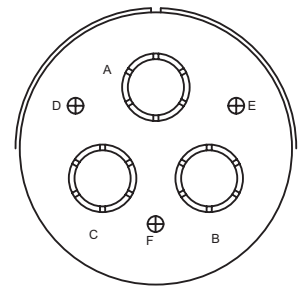
52-3
3
4/0
B

4 CONTACTS



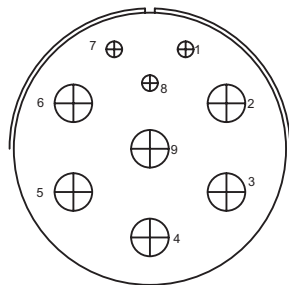
52-4
4
SPECIAL
D

6 CONTACTS



52-6
6
3-4/0; 3-12
B

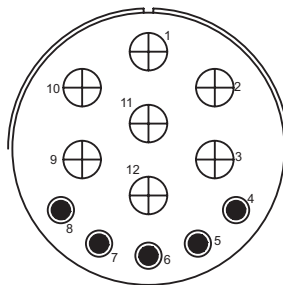
9 CONTACTS



Insert Arrangement
Number of Contacts
Contact Size
Service Rating

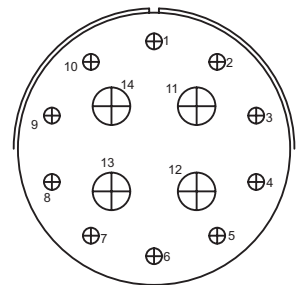
52-9
9
6-0; 3-12
D

12 CONTACTS



52-12
12
7-0; 5-8
A

14 CONTACTS



52-14
14
4-0; 10-12
D

Contact Legend:



Consult Factory

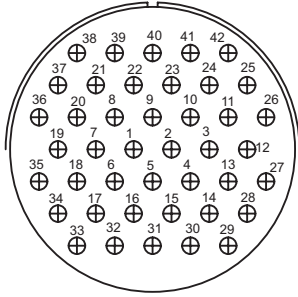
16 12 8 4 0 4/0

Continued on Next Page

SHELL SIZE 52 TRANSIT CONNECTORS

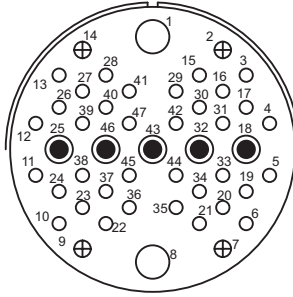
Continued from Previous Page

42 CONTACTS



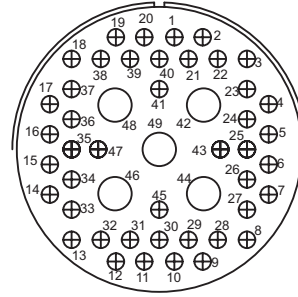
Insert Arrangement 52-42
 Number of Contacts 42
 Contact Size 12
 Service Rating D

47 CONTACTS



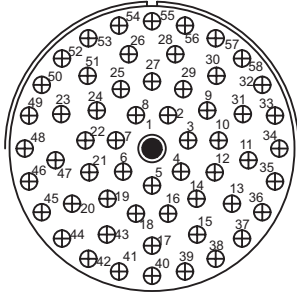
Insert Arrangement 52-47
 Number of Contacts 47
 Contact Size 2-4; 5-8; 4-12; 36-16
 Service Rating D

49 CONTACTS



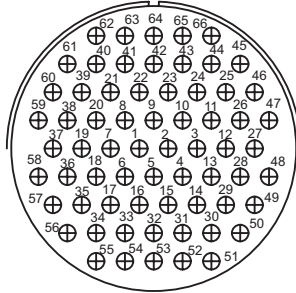
Insert Arrangement 52-49
 Number of Contacts 49
 Contact Size 5-4; 44-12
 Service Rating A

58 CONTACTS



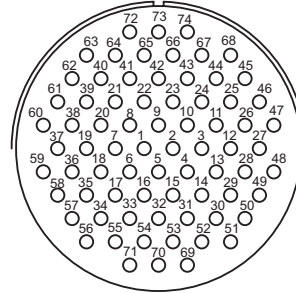
Insert Arrangement 52-58
 Number of Contacts 58
 Contact Size 1-8; 57-12
 Service Rating A

66 CONTACTS



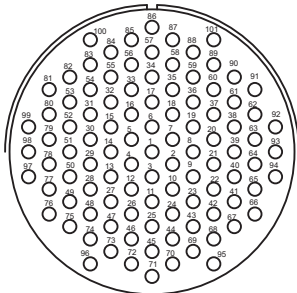
Insert Arrangement 52-66
 Number of Contacts 66
 Contact Size 12
 Service Rating A

74 CONTACTS



Insert Arrangement 52-74
 Number of Contacts 74
 Contact Size 16
 Service Rating A

101 CONTACTS



Insert Arrangement 52-101
 Number of Contacts 101
 Contact Size 16
 Service Rating A

Contact Legend:



Consult Factory 16 12 8 4 0 4/0

SECTION 2C

SCPB SERIES

CONNECTOR ACCESSORY

QUICK REFERENCE

(FOR COMPLETE DETAILS ON THESE PARTS SEE **SPACECRAFT CATALOG 401**)

ACCESSORY	SOLDER or F80 CRIMP
BACKSHELLS, ENVIRONMENTAL	
STRAIGHT - CABLE SEALING GLAND	B002*AB
STRAIGHT - FOR ANAMET CONDUIT	B031A*AB
STRAIGHT - FOR PG ADAPTER	B033A*AB
STRAIGHT - FOR PIPE THREAD (PT) ADAPTERS	B035A*AB
STRAIGHT - FOR SEALTITE™ LIQUIDTITE CONDUIT	B037A*AB
45° - CABLE SEALING GLAND	B002CC-AB
90° - CABLE SEALING GLAND	B002D-AB
BACKSHELLS, ENVIRONMENTAL EMI/RFI	
STRAIGHT - CONE TYPE	B004*AB
STRAIGHT - INVERTED CONE	B015*AB
STRAIGHT - 2 RING	B023*AB
STRAIGHT - LIGHTWEIGHT	B043*AB
45° - CONE TYPE	B004CC-AB
45° - INVERTED CONE TYPE	B005CC-AB
45° - 2 RING TYPE	B023CC-AB
45° - LIGHTWEIGHT	B043CC-AB
90° - CONE TYPE	B004D-AB
90° - INVERTED CONE TYPE	B015D-AB
90° - 2 RING TYPE	B023D-AB
90° - LIGHTWEIGHT	B043D-AB
BACKSHELLS, NON-ENVIRONMENTAL	
STRAIGHT	B001A-AB B001B-AB
45°	B001CC-AB
90°	B001D-AB

* Additional alpha-numeric are required to complete part number.

ACCESSORY	SOLDER or F80 CRIMP
BACKSHELLS, NON-ENVIRONMENTAL EMI/RFI	
STRAIGHT - CONE TYPE	B003*AB
STRAIGHT - INVERTED CONE TYPE	B014*AB
STRAIGHT - LIGHTWEIGHT	B043*AB
45° - CONE TYPE	B003CC-AB
45° - INVERTED CONE TYPE	B014CC-AB
45° - LIGHTWEIGHT	B042CC-AB
90° - CONE TYPE	B003D-AB
90° - INVERTED CONE TYPE	B014D-AB
90° - LIGHTWEIGHT	B043D-AB
BACKSHELLS, POTTING BOOTS & RINGS	
	NOTE 1
BACKSHELLS, SHIELD TERMINATIONS	
STRAIGHT - CRIMP RING - FOR SHRINK BOOT	B005*AB
STRAIGHT - CRIMP RING TYPE	B007*AB
45° - CRIMP RING - FOR SHRINK BOOT	B005CC*AB
45° - CRIMP RING TYPE	B007CC*AB
90° - CRIMP RING - FOR SHRINK BOOT	B005D*AB
90° - CRIMP RING TYPE	B007D*AB
SHIELD CRIMP RING	B049AF26-2
BACKSHELLS, SHORTING CANS	
	B012*AB B013*AB
BACKSHELLS, SHRINK BOOT ADAPTERS	
STRAIGHT BOOT ADAPTER	B006A*AB B006B*AB

NOTE 1 Contact Sales Department for part numbers and availability.

CONTINUED ON NEXT PAGE

SCPB SERIES

CONNECTOR ACCESSORY QUICK REFERENCE

CONTINUED FROM PREVIOUS PAGE

ACCESSORY	SOLDER or F80 CRIMP
BACKSHELLS, STRAIN RELIEF/CABLE CLAMPS	
STRAIGHT - CABLE CLAMP	MS3057-*A
	MS3057-*B
	MS3057-*C
DUMMY RECEPTACLES	
	DRP19
	SCPB05-*
DUST CAPS	
METAL, FOR PLUG	DCP19
	SCPB*TV
METAL, FOR RECEPTACLE	DCR19
	SCPB*TF
GASKET FOR FLANGE MOUNT RECEPTACLES	
ENVIRONMENTAL - EMI/RFI	M83528/004
ENVIRONMENTAL	MS51007-*
	MS52000-*
JAM NUTS	
	SC3186-*
MOUNTING PLATES	
	B049AF94
	B049AF95
	B049AF96
RUBBER BUSHINGS	
	MS3420-*
	MS3420-*A
SEALING PLUGS	
	MS25251
	M527488

NOTE 1 Contact Sales Department for part numbers and availability.



SECTION 3C

MIL-DTL-5015

SPECIAL FEATURES

TECHNICAL DATA

CONTACTS & TOOLS

3C

SPECIAL FEATURES

Spacecraft can supply connectors with:

1. Plugs with a self-locking coupling nut, which eliminates the need for safety wire. A low-cost coupling mechanism is available for all series.
2. Our connectors can provide superior EMI/RFI shielding by:
 - A. Providing full accessory teeth at the rear of the connector shell, thus minimizing "leakage".
 - B. To further enhance performance, plugs can be supplied with grounding fingers around the outside of the barrel.
 - C. Receptacles can be supplied with an internal grounding spring.
3. Shells/hardware can be provided in a high impact/strength aluminum as well as carbon steel, 300 series stainless and naval brass.
4. A wide range of finishes are available:
 - A. Anodize - both hard and soft.
 - B. Cadmium to pass 48, 96, 500 or 1000 hours salt spray.
 - C. Electroless nickel.
 - D. Zinc Boron.
 - E. Black zinc.
5. Standard insert material is neoprene, but can be provided in fuel-resistant Viton or halogen-free neoprene.
6. Various backshell configurations are available for environmental and non-environmental applications together with EMI/RFI protection. See our Catalog 401 for details.

TABLE I
CONTACT ARRANGEMENT
SERVICE RATING

MS SERVICE RATING	RECOMMENDED OPERATING VOLTAGE* AT SEA LEVEL		EFFECTIVE CREEPAGE DISTANCE NOM.	MECHANICAL SPACING NOM.
	DC	AC (RMS)		
INST.	250	200	1/16	
A	700	500	1/8	1/16
D	1250	900	3/16	1/8
E	1750	1250	1/4	3/16
B	2450	1750	5/16	1/4
C	4200	3000	1	5/16

* The values listed in Table I represent operating values which include a generous safety factor. It may be necessary for some applications to exceed the operating voltages listed here. If this is necessary, designers will find Table II useful for determining the degree to which the recommended values of Table I can be exceeded.

ELECTRICAL SERVICE DATA

Test current ratings of contacts and allowable voltage drop under test conditions when assembled as in service are shown below. Maximum total current to be carried per connector is the same as the allowable in wire bundles as specified in MIL-W-5088.

ALTITUDE VOLTAGE DERATING** CHART

MS SERVICE RATING	NOMINAL DISTANCE		STANDARD SEA LEVEL CONDITIONS		PRESSURE ALTITUDE† 50,000 FEET		PRESSURE ALTITUDE† 70,000 FEET	
	AIRSPACE	CREEPAGE	MINIMUM FLASHOVER VOLTAGE AC (RMS)	TEST VOLTAGE AC (RMS)	MINIMUM FLASHOVER VOLTAGE AC (RMS)	TEST VOLTAGE AC (RMS)	MINIMUM FLASHOVER VOLTAGE AC (RMS)	TEST VOLTAGE AC (RMS)
INST.	1/32	1/16	1400	1000	550	400	325	260
A	1/16	1/8	2800	2000	800	600	450	360
D	1/8	3/16	3600	2800	900	675	500	400
E	3/16	1/4	4500	3500	1000	750	550	440
B	1/4	5/16	5700	4500	1100	825	600	480
C	5/16	1	8500	7000	1300	975	700	560

† Not corrected for changes in density due to variations in temperature.

** No attempt has been made to recommend operating voltages. The designer must determine his own operating voltage by the application of a safety factor to the above derating chart to compensate for circuit transients, surges, etc.

CONTACT RATINGS

CONTACT SIZE	WIRE SIZE	RATED CURRENT	POTENTIAL DROP	MAX CURRENT
20	20	7.5A	83 mV	7.5A
18	18	7.5	83 mV	10A
16 & 16S	16 AWG	13 A	49 mV	22A
12	12 AWG	23 A	42 mV	41A
8	8 AWG	46 A	26 mV	73A
4	4 AWG	80 A	23 mV	135A
0	0 AWG	150 A	21 mV	245A
4/0	4/0	225A	53 mV	350A

SOLDER CONTACT CURRENT RATINGS*

MATING END SIZE	WIRE BARREL SIZE	ALLOWABLE WIRE SIZE	TEST CURRENT** AMPS
16/16S	16	16	13
		18	10
		20	7.5
		22	5
12	12	12	23
		14	17
8	8	8	46
		10	33
4	4	4	80
		6	60
0	0	0	150
		1	125
		2	100

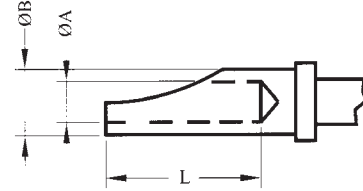


TABLE II. WIRE RANGE ACCOMMODATIONS

SOLDER CUP DIMENSIONS

CONTACT SIZE	A MIN	B	L
16	.069 [1.75]	.096/.116 [2.43/2.94]	.250/.313 [6.35/7.95]
12	.112 [2.84]	.130/.150 [3.30/3.81]	.375/.438 [9.52/11.12]
8	.205 [5.20]	.243/.259 [6.17/6.57]	.500/.563 [12.70/14.30]
4	.328 [8.33]	.370/.397 [9.39/10.08]	.625/.688 [15.87/17.47]
0	.464 [11.78]	.510/.550 [12.95/13.97]	.625/.688 [15.87/17.47]

Dimensions in brackets [] are in millimeters.

CONTACT SIZE	WIRE SIZE	OD OF FINISHED WIRE (INCH)					
		SOLDER CONTACT CONNECTORS		CRIMP CONTACT CONNECTORS			
		MIN	MAX	FRONT RELEASE		REAR RELEASE	
		MIN	MAX	MIN	MAX	MIN	MAX
16-16	20						
	18	.064	.130	0.66	.130	.053	.103
	16	[1.63]	[3.30]	[1.68]	[3.30]	[1.35]	[2.62]
12-12	14	.114	.170	.097	.170	.085	.158
	12	[2.90]	[4.32]	[2.46]	[4.32]	[2.16]	[4.01]
8-8	10	.164	.255	.132	.255	.132	.255
	8	[4.17]	[6.48]	[3.35]	[6.48]	[3.35]	[6.48]
4-4	6	.272	.370	.237	.370	.237	.370
	4	[6.91]	[9.40]	[6.02]	[9.40]	[6.02]	[9.40]
0-0	2	.415	.550	.360	.550	.360	.550
	0	[10.54]	[13.97]	[9.14]	[13.97]	[9.14]	[13.97]

* Solder Wells Filled

** Contact ratings as stated are test ratings only. The connector could not withstand full rated current through all contacts continuously. Please note that the electrical data given is not an establishment of electrical safety factors. This is left entirely in the designer's hands as he can best determine which peak voltage, switching surges, transients, etc. can be expected in a particular circuit.

MIL-DTL-5015 SERIES I - SOLDER CONTACTS

SIZE	PIN	PIN FILLED SOLDER CUP (Note 1)	SOCKET (Note 1)	SOCKET FILLED SOLDER CUP (Note 1)	MATERIAL	FINISH	COLOR CODE
16S	P12-5100-310	P12-5100-315	S12-5100-610	S12-5100-615	Note 2	Silver	—
16S	P12-5100-000	—	S12-5100-000	—	Alumel	None	Green
16S	P12-5100-010	—	S12-5100-010	—	Chromel	None	White
16S	P12-5100-020	—	S12-5100-020	—	Constantan	None	Black
16S	P12-5100-040	—	S12-5100-040	—	Iron	Cadmium	Yellow
16	P12-3800-310	P12-3800-315	S12-3800-610	S12-3800-615	Note 2	Silver	—
16	P12-3800-000	—	S12-3800-000	—	Alumel	None	Green
16	P12-3800-010	—	S12-3800-010	—	Chomel	None	White
16	P12-3800-020	—	S12-3800-020	—	Constantan	None	Black
16	P12-3800-040	—	S12-3800-040	—	Iron	Cadmium	Yellow
12	P12-6500-310	P12-6500-315	S12-6500-610	S12-6500-615	Note 2	Silver	—
12	P12-6500-000	—	S12-6500-000	—	Alumel	None	Green
12	P12-6500-010	—	S12-6500-010	—	Chromel	None	White
12	P12-6500-020	—	S12-6500-020	—	Constantan	None	Black
12	P12-6500-040	—	S12-6500-040	—	Iron	Cadmium	Yellow
8	P12-7900-310	P12-7900-315	S12-7900-510	S12-7900-515	Note 2	Silver	—
4	P12-8500-310	P12-8500-315	S12-8500-510	S12-8500-515	Note 2	Silver	—
1/0	P12-9200-310	P12-9200-315	S12-9200-510	S12-9200-515	Note 2	Silver	—

Note 1: Only MS3100 thru MS3108 and MS25183 connectors are supplied with solder filled cups

Note 2: Pins are brass; Sockets are copper.

MIL-DTL-5015

PIN F80 CRIMP CONTACTS

ORDERING INFORMATION

R12 - 36 15 - 140

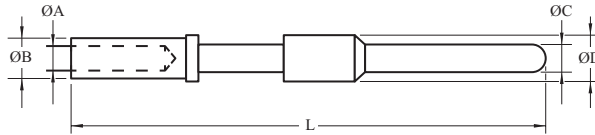
SERIES PREFIX ———— **MODIFICATION**
R12 MIL-DTL-5015 crimp F80 pin contact. Consult Sales Department.

CONTACT SIZE ———— **MATERIAL/FINISH**

CODE	25	36	49	64	79	85	92	97
SIZE	18	16	16S	12	8	4	1/0	4/0

WIRE RANGE ————
 See Table below.

000 Alumel/none.
010 Chromel/none.
020 Constantan/none.
040 Iron/cadmium.
110 Copper/silver.
140 Copper/gold.
142 Copper/gold 0.000030.



PART NUMBER	SIZE	MATERIAL	FINISH	FOR WIRE SIZE		A	B	C	D	L
				AWG	MM ²					
R12-2500-110	18	Copper	Silver	20-26	0.60-0.15	.052 [1.30]	.076 [1.93]	.055 [1.46]	0.95 [2.40]	1.165 [29.61]
R12-3632-110	16	Copper	Silver	28-32	—	.018 [0.45]	.077 [1.95]	.062 [1.58]	.126 [3.20]	1.250 [31.75]
R12-3608-110	16	Copper	Silver	24-26	0.20-0.15	.034 [.085]	.061 [1.55]	.062 [1.58]	.126 [3.20]	1.250 [31.75]
R12-3613-110	16	Copper	Silver	20-26	0.60-0.15	.052 [1.30]	.076 [1.93]	.062 [1.58]	.126 [3.20]	1.250 [31.75]
R12-3612-110	16	Copper	Silver	20	0.60	.048 [1.20]	.102 [2.60]	.062 [1.58]	.126 [3.20]	1.250 [31.75]
R12-3615-110	16	Copper	Silver	18-20	1.0	.060 [1.50]	.102 [2.60]	.062 [1.58]	.126 [3.20]	1.250 [31.75]
R12-3600-110	16	Copper	Silver	16-18	1.5-1.0	.067 [1.70]	.102 [2.60]	.062 [1.58]	.126 [3.20]	1.250 [31.75]
R12-3600-000	16	Alumel	None	16	1.5-1.0	.067 [1.70]	.102 [2.60]	.062 [1.58]	.126 [3.20]	1.250 [31.75]
R12-3600-010	16	Chromel	None	16	1.5-1.0	.067 [1.70]	.102 [2.60]	.062 [1.58]	.126 [3.20]	1.250 [31.75]
R12-3600-020	16	Constantan	None	16	1.5-1.0	.067 [1.70]	.102 [2.60]	.062 [1.58]	.126 [3.20]	1.250 [31.75]
R12-3600-040	16	Iron	Cadmium	16	1.5-1.0	.067 [1.70]	.102 [2.60]	.062 [1.58]	.126 [3.20]	1.250 [31.75]
R12-3620-110	16	Copper	Silver	14	2.0	.078 [2.00]	.115 [2.90]	.062 [1.58]	.126 [3.20]	1.250 [31.75]
R12-3626-110	16	Copper	Silver	12	3.0	.099 [2.50]	.150 [3.80]	.062 [1.58]	.126 [3.20]	1.250 [31.75]
R12-4913-110	16S	Copper	Silver	20-26	0.60-0.15	.052 [1.30]	.076 [1.93]	.062 [1.58]	.126 [3.20]	1.050 [26.65]
R12-4912-110	16S	Copper	Silver	20	0.60	.048 [1.20]	.102 [2.60]	.062 [1.58]	.126 [3.20]	1.050 [26.65]
R12-4915-110	16S	Copper	Silver	18	1.0	.060 [1.50]	.102 [2.60]	.062 [1.58]	.126 [3.20]	1.050 [26.65]
R12-4900-110	16S	Copper	Silver	16-18	1.5	.067 [1.70]	.102 [2.60]	.062 [1.58]	.126 [3.20]	1.050 [26.65]
R12-4900-000	16S	Alumel	None	16	1.5	.067 [1.70]	.102 [2.60]	.062 [1.58]	.126 [3.20]	1.050 [26.65]
R12-4900-010	16S	Chromel	None	16	1.5	.067 [1.70]	.102 [2.60]	.062 [1.58]	.126 [3.20]	1.050 [26.65]
R12-4900-020	16S	Constantan	None	16	1.5	.067 [1.70]	.102 [2.60]	.062 [1.58]	.126 [3.20]	1.050 [26.65]
R12-4900-040	16S	Iron	Cadmium	16	1.5	.067 [1.70]	.102 [2.60]	.062 [1.58]	.126 [3.20]	1.050 [26.65]
R12-4920-110	16S	Copper	Silver	14	2.0	.078 [2.00]	.115 [2.90]	.062 [1.58]	.126 [3.20]	1.050 [26.65]
R12-4926-110	16S	Copper	Silver	12	3.0	.099 [2.50]	.150 [3.80]	.062 [1.58]	.126 [3.20]	1.050 [26.65]

PART NUMBER	SIZE	MATERIAL	FINISH	FOR WIRE SIZE		A	B	C	D	L
				AWG	MM ²					
R12-6412-110	12	Copper	Silver	20	0.60	.048 [1.20]	.102 [2.60]	.093 [2.38]	.189 [4.80]	1.480 [37.65]
R12-6415-110	12	Copper	Silver	18	1.0	.060 [1.50]	.134 [3.40]	.093 [2.38]	.189 [4.80]	1.480 [37.65]
R12-6420-110	12	Copper	Silver	14-18	2.0-1.0	.078 [2.00]	1.50 [3.80]	.093 [2.38]	.189 [4.80]	1.480 [37.65]
R12-6422-110	12	Copper	Silver	-	2.5	.087 [2.20]	.150 [3.80]	.093 [2.38]	.189 [4.80]	1.480 [37.65]
R12-6400-110	12	Copper	Silver	12	3.0	.099 [2.50]	.154 [3.90]	.093 [2.38]	.189 [4.80]	1.480 [37.65]
R12-6400-000	12	Alumel	None	12	3.0	.099 [2.50]	.154 [3.90]	.093 [2.38]	.189 [4.80]	1.480 [37.65]
R12-6400-010	12	Chromel	None	12	3.0	.099 [2.50]	.154 [3.90]	.093 [2.38]	.189 [4.80]	1.480 [37.65]
R12-6400-020	12	Constantan	None	12	3.0	.099 [2.50]	.154 [3.90]	.093 [2.38]	.189 [4.80]	1.480 [37.65]
R12-6400-040	12	Iron	Cadmium	12	3.0	.099 [2.50]	.154 [3.90]	.093 [2.38]	.189 [4.80]	1.480 [37.65]
R12-6430-110	12	Copper	Silver	-	4.0	.118 [3.00]	.176 [4.80]	.093 [2.38]	.189 [4.80]	1.480 [37.65]
R12-6431-110	12	Copper	Silver	-	4.0	.130 [3.30]	.166 [4.20]	.093 [2.38]	.189 [4.80]	1.480 [37.65]
R12-6438-110	12	Copper	Silver	10	6.0	.142 [3.60]	.176 [4.80]	.093 [2.38]	.189 [4.80]	1.480 [37.65]
R12-6408-110	12	Copper	Silver	8	9.0	.177 [4.50]	.272 [6.90]	.093 [2.38]	.189 [4.80]	1.480 [37.65]
R12-7915-110	8	Copper	Silver	18	1.0	0.60 [1.50]	.134 [3.40]	.141 [3.59]	.307 [7.80]	1.603 [40.70]
R12-7918-110	8	Copper	Silver	14-18	2.0-1.0	0.71 [1.80]	.150 [3.80]	.141 [3.59]	.307 [7.80]	1.603 [40.70]
R12-7926-110	8	Copper	Silver	12	3.0	.099 [2.50]	.154 [3.90]	.141 [3.59]	.307 [7.80]	1.603 [40.70]
R12-7930-110	8	Copper	Silver	-	4.0	.118 [3.00]	.176 [4.80]	.141 [3.59]	.307 [7.80]	1.603 [40.70]
R12-7900-110	8	Copper	Silver	8	9.0	.177 [4.50]	.272 [6.90]	.141 [3.59]	.307 [7.80]	1.603 [40.70]
R12-7950-110	8	Copper	Silver	-	10.0	.201 [5.00]	.272 [6.90]	.141 [3.59]	.307 [7.80]	1.603 [40.70]
R12-7958-110	8	Copper	Silver	6	13.2	.229 [5.80]	.307 [7.80]	.141 [3.59]	.307 [7.80]	1.603 [40.70]
R12-8522-110	4	Copper	Silver	-	2.5	.087 [2.20]	.150 [3.80]	.225 [5.70]	.433 [11.00]	1.625 [41.25]
R12-8526-110	4	Copper	Silver	12	3.0	.099 [2.50]	.150 [3.80]	.225 [5.70]	.433 [11.00]	1.625 [41.25]
R12-8530-110	4	Copper	Silver	-	4.0	.118 [3.00]	.189 [4.80]	.225 [5.70]	.433 [11.00]	1.625 [41.25]
R12-8550-110	4	Copper	Silver	-	10.0	.201 [5.00]	.275 [7.00]	.225 [5.70]	.433 [11.00]	1.625 [41.25]
R12-8562-110	4	Copper	Silver	-	16.0	.244 [6.20]	.374 [9.50]	.225 [5.70]	.433 [11.00]	1.625 [41.25]
R12-8500-110	4	Copper	Silver	4	22.0	.281 [7.10]	.375 [9.53]	.225 [5.70]	.433 [11.00]	1.625 [41.25]
R12-8525-110	4	Copper	Silver	-	25.0	.307 [7.80]	.374 [9.50]	.225 [5.70]	.433 [11.00]	1.625 [41.25]
R12-8535-110	4	Copper	Silver	-	35.0	.354 [9.00]	.565 [14.35]	.225 [5.70]	.433 [11.00]	1.625 [41.25]
R12-9245-110	1/0	Copper	Silver	8	9.0	.177 [4.55]	.268 [6.80]	.356 [9.05]	.595 [15.11]	1.803 [46.50]
R12-9250-110	1/0	Copper	Silver	-	10.0	.201 [5.00]	.275 [7.00]	.356 [9.05]	.595 [15.11]	1.803 [46.50]
R12-9246-110	1/0	Copper	Silver	4	22.0	.281 [7.15]	.375 [9.53]	.356 [9.05]	.595 [15.11]	1.803 [46.50]
R12-9225-110	1/0	Copper	Silver	-	25.0	.307 [7.80]	.374 [9.50]	.356 [9.05]	.595 [15.11]	1.803 [46.50]
R12-9235-110	1/0	Copper	Silver	-	35.0	.354 [9.00]	.565 [14.35]	.356 [9.05]	.595 [15.11]	1.803 [46.50]
R12-9275-110	1/0	Copper	Silver	-	50.0	.421 [10.70]	.565 [14.35]	.356 [9.05]	.595 [15.11]	1.803 [46.50]
R12-9200-110	1/0	Copper	Silver	1/0	53.0	.453 [11.50]	.565 [14.35]	.356 [9.05]	.595 [15.11]	1.803 [46.50]
R12-9790-110	4/0	Copper	Silver	2	33.5	.354 [9.0]	.565 [14.35]	.500 [12.69]	.787 [20.0]	2.35 [59.7]
R12-97115-110	4/0	Copper	Silver	1/0	53.0	.453 [11.5]	.565 [14.35]	.500 [12.69]	.787 [20.0]	2.33 [59.2]
R12-97135-110	4/0	Copper	Silver	2/0	67.4	.532 [13.5]	.650 [16.5]	.500 [12.69]	.787 [20.0]	2.40 [60.9]
R12-9700-110	4/0	Copper	Silver	4/0	107.0	.650 [16.5]	.787 [20.0]	.500 [12.69]	.787 [20.0]	2.60 [65.9]

3C

MIL-DTL-5015

SOCKET F80 CRIMP CONTACTS

ORDERING INFORMATION

T12 - 36 15 - 540

SERIES PREFIX

T12 MIL-DTL-5015 crimp F80 socket contact.

CONTACT SIZE

CODE	25	36	49	64	79	80	85	86	92	93	97
SIZE	18	16	16S	12	8	8*	4	4*	1/0	1/0*	4/0*

* Indicates closed entry socket.

WIRE RANGE

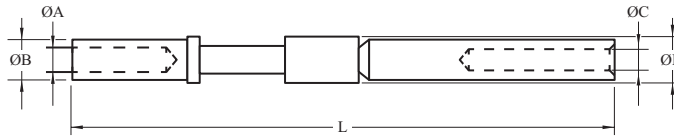
See Table below.

MODIFICATION

Consult Sales Department.

MATERIAL/FINISH

- 000** Alumel/none. **140** Copper/gold.
 - 010** Chromel/none. **142** Copper/gold 0.000030.
 - 020** Constantan/none. **510*** Copper/silver.
 - 040** Iron/cadmium. **540*** Copper/gold.
 - 110** Copper/silver. **542*** Copper/gold 0.000030.
- * Applies only to socket contact sizes 8, 4, 1/0 and 4/0.



PART NUMBER	SIZE	MATERIAL	FINISH	FOR WIRE SIZE		A	B	C	D	L
				AWG	MM ²					
T12-2500-110	18	Copper	Silver	20-26	0.60-0.15	.052 [1.30]	.076 [1.93]	.056 [1.46]	.095 [2.40]	1.197 [34.4]
T12-3632-110	16	Copper	Silver	28-32	-	.018 [0.45]	.077 [1.95]	.065 [1.65]	.126 [3.20]	1.440 [36.50]
T12-3608-110	16	Copper	Silver	24-26	0.20-0.15	.034 [0.85]	.061 [1.55]	.065 [1.65]	.126 [3.20]	1.440 [36.50]
T12-3613-110	16	Copper	Silver	20-26	0.60-0.15	.052 [1.30]	.076 [1.93]	.065 [1.65]	.126 [3.20]	1.440 [36.50]
T12-3612-110	16	Copper	Silver	20	0.60	.048 [1.20]	.102 [2.60]	.065 [1.65]	.126 [3.20]	1.440 [36.50]
T12-3615-110	16	Copper	Silver	18-20	1.0	.060 [1.50]	.102 [2.60]	.065 [1.65]	.126 [3.20]	1.440 [36.50]
T12-3600-110	16	Copper	Silver	16-18	1.5-1.0	.067 [1.70]	.102 [2.60]	.065 [1.65]	.126 [3.20]	1.440 [36.50]
T12-3600-000	16	Alumel	None	16	1.5	.067 [1.70]	.102 [2.60]	.065 [1.65]	.126 [3.20]	1.440 [36.50]
T12-3600-010	16	Chromel	None	16	1.5	.067 [1.70]	.102 [2.60]	.065 [1.65]	.126 [3.20]	1.440 [36.50]
T12-3600-020	16	Constantan	None	16	1.5	.067 [1.70]	.102 [2.60]	.065 [1.65]	.126 [3.20]	1.440 [36.50]
T12-3600-040	16	Iron	Cadmium	16	1.5	.067 [1.70]	.102 [2.60]	.065 [1.65]	.126 [3.20]	1.440 [36.50]
T12-3620-110	16	Copper	Silver	14	2.0	.078 [2.00]	.115 [2.90]	.065 [1.65]	.126 [3.20]	1.440 [36.50]
T12-3626-110	16	Copper	Silver	12	3.0	.099 [2.50]	.150 [3.80]	.065 [1.65]	.126 [3.20]	1.440 [36.50]
T12-4913-110	16S	Copper	Silver	20-26	0.60-0.15	.052 [1.30]	.076 [1.93]	.065 [1.65]	.126 [3.20]	1.050 [26.65]
T12-4912-110	16S	Copper	Silver	20	0.60	.048 [1.20]	.102 [2.60]	.065 [1.65]	.126 [3.20]	1.050 [26.65]
T12-4915-110	16S	Copper	Silver	18	1.0	.060 [1.50]	.102 [2.60]	.065 [1.65]	.126 [3.20]	1.050 [26.65]
T12-4900-110	16S	Copper	Silver	16-18	1.5-1.0	.067 [1.70]	.102 [2.60]	.065 [1.65]	.126 [3.20]	1.050 [26.65]
T12-4900-000	16S	Alumel	None	16	1.5	.067 [1.70]	.102 [2.60]	.065 [1.65]	.126 [3.20]	1.050 [26.65]
T12-4900-010	16S	Chromel	None	16	1.5	.067 [1.70]	.102 [2.60]	.065 [1.65]	.126 [3.20]	1.050 [26.65]
T12-4900-020	16S	Constantan	None	16	1.5	.067 [1.70]	.102 [2.60]	.065 [1.65]	.126 [3.20]	1.050 [26.65]
T12-4900-040	16S	Iron	Cadmium	16	1.5	.067 [1.70]	.102 [2.60]	.065 [1.65]	.126 [3.20]	1.050 [26.65]
T12-4920-110	16S	Copper	Silver	14	2.0	.078 [2.00]	.115 [2.90]	.065 [1.65]	.126 [3.20]	1.050 [26.65]
T12-4926-110	16S	Copper	Silver	12	3.0	.099 [2.50]	.150 [3.80]	.065 [1.65]	.126 [3.20]	1.050 [26.65]

PART NUMBER	SIZE	MATERIAL	FINISH	FOR WIRE SIZE		A	B	C	D	L
				AWG	MM ²					
T12-6412-110	12	Copper	Silver	20	0.60	.048 [1.20]	.102 [2.60]	.098 [2.48]	.189 [4.80]	1.480 [37.65]
T12-6415-110	12	Copper	Silver	18	1.0	.060 [1.50]	.134 [3.40]	.098 [2.48]	.189 [4.80]	1.480 [37.65]
T12-6420-110	12	Copper	Silver	14-18	2.0-1.0	.078 [2.00]	.150 [3.80]	.098 [2.48]	.189 [4.80]	1.480 [37.65]
T12-6422-110	12	Copper	Silver	-	2.5	.087 [2.20]	.150 [3.80]	.098 [2.48]	.189 [4.80]	1.480 [37.65]
T12-6400-000	12	Alumel	None	12	3.0	.099 [2.50]	.154 [3.90]	.098 [2.48]	.189 [4.80]	1.480 [37.65]
T12-6400-010	12	Chromel	None	12	3.0	.099 [2.50]	.154 [3.90]	.098 [2.48]	.189 [4.80]	1.480 [37.65]
T12-6400-020	12	Constantan	None	12	3.0	.099 [2.50]	.154 [3.90]	.098 [2.48]	.189 [4.80]	1.480 [37.65]
T12-6400-040	12	Iron	Cadmium	12	3.0	.099 [2.50]	.154 [3.90]	.098 [2.48]	.189 [4.80]	1.480 [37.65]
T12-6400-110	12	Copper	Silver	12	3.0	.099 [2.50]	.154 [3.90]	.098 [2.48]	.189 [4.80]	1.480 [37.65]
T12-6430-110	12	Copper	Silver	-	4.0	.118 [3.00]	.189 [4.80]	.098 [2.48]	.189 [4.80]	1.480 [37.65]
T12-6431-110	12	Copper	Silver	-	4.0	.130 [3.30]	.166 [4.20]	.098 [2.48]	.189 [4.80]	1.480 [37.65]
T12-6438-110	12	Copper	Silver	10	6.0	.142 [3.60]	.189 [4.80]	.098 [2.48]	.189 [4.80]	1.480 [37.65]
T12-6408-110	12	Copper	Silver	8	9.0	.177 [4.50]	.272 [6.90]	.098 [2.48]	.189 [4.80]	1.480 [37.65]
T12-7915-510	8	Copper	Silver	18	1.0	.060 [1.50]	.134 [3.40]	.147 [3.73]	.307 [7.80]	1.595 [40.50]
T12-7918-510	8	Copper	Silver	14-18	2.0-1.0	.071 [1.80]	.150 [3.80]	.147 [3.73]	.307 [7.80]	1.595 [40.50]
T12-7926-510	8	Copper	Silver	12	3.0	.099 [2.50]	.154 [3.90]	.147 [3.73]	.307 [7.80]	1.595 [40.50]
T12-7930-510	8	Copper	Silver	-	4.0	.118 [3.00]	.176 [4.40]	.147 [3.73]	.307 [7.80]	1.595 [40.50]
T12-7900-510	8	Copper	Silver	8	9.0	.177 [4.50]	.272 [6.90]	.147 [3.73]	.307 [7.80]	1.595 [40.50]
T12-7950-510	8	Copper	Silver	-	10.0	.201 [5.00]	.272 [6.90]	.147 [3.73]	.307 [7.80]	1.595 [40.50]
T12-7958-510	8	Copper	Silver	6	13.2	.229 [5.80]	.307 [7.80]	.147 [3.73]	.307 [7.80]	1.595 [40.50]
T12-8522-510	4	Copper	Silver	-	2.5	.087 [2.20]	.150 [3.80]	.230 [5.84]	.433 [11.00]	1.625 [41.25]
T12-8526-510	4	Copper	Silver	12	3.0	.099 [2.50]	.150 [3.80]	.230 [5.84]	.433 [11.00]	1.625 [41.25]
T12-8530-510	4	Copper	Silver	-	4.0	.118 [3.00]	.189 [4.80]	.230 [5.84]	.433 [11.00]	1.625 [41.25]
T12-8550-510	4	Copper	Silver	-	10.0	.201 [5.00]	.275 [7.00]	.230 [5.84]	.433 [11.00]	1.625 [41.25]
T12-8562-510	4	Copper	Silver	-	16.0	.244 [6.20]	.374 [9.50]	.230 [5.84]	.433 [11.00]	1.625 [41.25]
T12-8500-510	4	Copper	Silver	4	22.0	.281 [7.15]	.375 [9.50]	.230 [5.84]	.433 [11.00]	1.625 [41.25]
T12-8525-510	4	Copper	Silver	-	25.0	.307 [7.80]	.374 [9.50]	.230 [5.84]	.433 [11.00]	1.625 [41.25]
T12-8535-510	4	Copper	Silver	-	35.0	.354 [9.00]	.565 [14.35]	.230 [5.84]	.433 [11.00]	1.625 [41.25]
T12-9245-510	1/0	Copper	Silver	8	9.0	.177 [4.55]	.268 [6.80]	.365 [9.20]	.595 [15.11]	1.830 [46.50]
T12-9250-510	1/0	Copper	Silver	-	10.0	.201 [5.00]	.275 [7.00]	.365 [9.20]	.595 [15.11]	1.830 [46.50]
T12-9246-510	1/0	Copper	Silver	4	22.0	.281 [7.15]	.375 [9.53]	.365 [9.20]	.595 [15.11]	1.830 [46.50]
T12-9225-510	1/0	Copper	Silver	-	25.0	.307 [7.80]	.374 [9.50]	.365 [9.20]	.595 [15.11]	1.830 [46.50]
T12-9235-510	1/0	Copper	Silver	-	35.0	.354 [9.00]	.565 [14.35]	.365 [9.20]	.595 [15.11]	1.830 [46.50]
T12-9275-510	1/0	Copper	Silver	-	50.0	.421 [10.70]	.565 [14.35]	.365 [9.20]	.595 [15.11]	1.830 [46.50]
T12-9200-510	1/0	Copper	Silver	1/0	53.0	.453 [11.50]	.565 [14.35]	.365 [9.20]	.595 [15.11]	1.830 [46.50]
T12-9790-510	4/0	Copper	Silver	2	33.5	.354 [9.0]	.565 [14.35]	.506 [12.85]	.787 [20.0]	2.29 [58.2]
T12-97115-510	4/0	Copper	Silver	1/0	53.0	.453 [11.5]	.565 [14.35]	.506 [12.85]	.787 [20.0]	2.22 [56.3]
T12-97135-510	4/0	Copper	Silver	2/0	67.4	.532 [13.5]	.650 [16.5]	.506 [12.85]	.787 [20.0]	2.28 [58.0]
T12-9700-510	4/0	Copper	Silver	4/0	107.0	.650 [16.5]	.787 [20.0]	.506 [12.85]	.787 [20.0]	2.49 [63.0]

3C

907-2*** SERIES

CRIMP ADAPTER FOR WIRE SIZE SMALLER/LARGER THAN CONTACT

907 - 2 XXX - XXX

SERIES PREFIX

WIRE SIZE

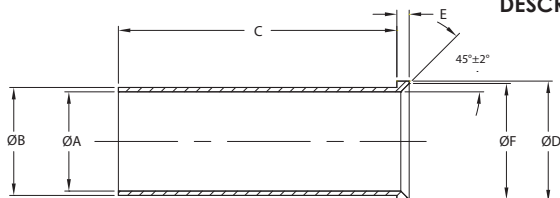
- 1 For Wire Size Larger Than Contact
- 2 For Wire Size Smaller Than Contact

DESCRIPTIVE NUMBER

MATERIAL/FINISH

CODE	MATERIAL	FINISH
-000*	360 Brass	Silver over nickel
-011*	360 Brass	Silver over nickel
-100	353 Brass	Unplated
-110	353 Brass	Silver over nickel
-140	353 Brass	Light gold over nickel
-142	353 Brass	Heavy gold over nickel

* Material/finish codes -000 & -011 are obsolete. Both replaced by -110



PART NUMBER	CRIMP CONTACT WIRE BARREL SIZE AWG	WIRE SIZE AWG	WIRE SIZE MM	A +.002 -.003	B +.002 -.003	C +/- .015	D +/- .010	E +/- .010	F +/- .005
907-1050-***	22	20		See page 3C-10					
907-2005-***	20	26	0.15						
907-2011-***	20	26		#.023	.042	.120	.069	.015	.050
907-2010-***	20	24-30		.027	.042	.120	.069	.015	.050
907-1040-***	20	16		See page 3C-10					
907-1030-***	20	12		See page 3C-10					
907-2012-***	16		0.12		.063			.015	.068
907-2013-***	16	26			.063			.015	.068
907-2016-***	16	24			.063			.015	.068
907-2020-***	16	22-24		.035	.063	.230	.100	.015	.068
907-2021-***	16	22		#.035	.063	.230	.100	.015	.068
907-2022-***	16	22		.035	.063	.190	.100	.015	.068
907-2025-***	16	22		.043	.059	.149	.100	.015	.068
907-2030-***	16	20	0.60	.045	.063	.230	.100	.015	.068
907-1020-***	16	12		See page 3C-10					
907-2037-***	14	22		.043	.070	.230	.100	.015	.068
907-2039-***	12	18			.094		.140	.015	
907-2038-***	12	20		.046	.094	.221	.140	.015	
907-2040-***	12	16	1.50	.069	.094	.230	.140	.015	.092
907-1010-***	12	10		See page 3C-10					
907-2043-***	6.0 MM		1.50					.015	
907-2045-***	6.0 MM		2.50					.015	
907-2049-***	8	18	1.0		.173		.250	.031	.188
907-2050-***	8	16	1.5	.069	.173	.380	.250	.031	.188
907-2053-***	8		2.5		.173		.250	.031	.188
907-2055-***	8	14		.086	.173	.422	.250	.031	.188
907-2056-***	8		4.0		.173		.250	.031	.188
907-2060-***	8	12	3.0	.098	.173	.380	.250	.031	.188
907-2061-***	8	12		@.101	.173	.380	.250	.031	.188
907-2062-***	8	12		@.101	.173	.380	.250	.031	.188
907-2068-***	8	10			.173		.250	.031	.188
907-2070-***	8	10		.136	.173	.380	.250	.031	.188
907-2071-***	8		6.0				.250	.031	.188
907-2077-***	10 MM	12	3.0				.250	.031	.188
907-2080-***	6	10		.136	.225	.700	.297	.031	.188
907-2090-***	6	9		.155	.225	.700	.297	.031	.219
907-2100-***	6	8	9.0		.225		.297	.031	
907-2102-***	16 MM		2.5					.031	
907-2103-***	16 MM		4.0					.031	
907-2105-***	16 MM		6.0					.031	
907-2107-***	16 MM		10.0	@.197				.031	

= ± .001
@ = ± .002

CRIMP ADAPTER FOR WIRE SIZE SMALLER/LARGER THAN CONTACT

PART NUMBER	CRIMP CONTACT WIRE BARREL SIZE AWG	WIRE SIZE AWG	WIRE SIZE MM	A +.002 -.003	B +.002 -.003	C +/- .015	D +/- .010	E +/- .010	F +/- .005
907-2108-***	4	10		.136	.272	.373	.344	.031	.219
907-2109-***	4		6.0		.272	.380	.344	.031	
907-2110-***	4	8	9.0	.185	.272	.380	.344	.031	.250
907-2111-***	4	8		.185	.272	.700	.344	.031	.250
907-2112-***	4		10.0	@.197	.272	.380	.344	.031	.250
907-2113-***	4		15.0		.272	.380	.344	.031	.250
907-2114-***	4		10.0	@.244	.272	.380	.344	.031	.250
907-2117-***	4	6	13.2		.272	.380	.344	.031	
907-2118-***	4	12			.272	.380	.344	.031	
907-2119-***	4		2.5		.272	.380	.344	.031	
907-2120-***	4	6	13.2	.225	.272	.380	.344	.031	.292
907-2130-***	4	6	13.2	.225	.272	.700	.344	.031	.292
907-2140-***	4	5		.250	.272	.380	.344	.031	.292
907-2150-***	4	5		.244	.272	.380	.344	.031	.292
907-2152-***	4		15.0		.272	.380	.344	.031	
907-2153-***	4		16.0		.272	.380	.344	.031	
907-2155-***	25 MM		6.0						
907-2156-***	25 MM		16.0						
907-2158-***	2	4							
907-2160-***	1	6	13.2	.225	.396	.700	.516	.031	.422
907-2170-***	1	2		.359	.396	.700	.516	.031	.422
907-2171-***	50 MM		25.0					.031	
907-2172-***	1/0	10		.136	.444	.644		.031	
907-2173-***	1/0	8	9.0	.185	.444	.644		.031	
907-2174-***	1/0		10.0		.444			.031	
907-2175-***	1/0	6	13.2		.444			.031	
907-2176-***	1/0		16.0		.444			.031	
907-2178-***	1/0		20.0		.444			.031	
907-2179-***	1/0		25.0		.444			.031	
907-2180-***	1/0	4		.299	.444	.536	.462	.031	.462
907-2181-***	1/0		10.0	@.197	.444	.500	.516	.031	.462
907-2182-***	1/0	2	16.0	@.244	.444	.500	.516	.031	.462
907-2183-***	1/0		25.0	@.307	.444	.500	.516	.031	.462
907-2184-***	1/0		35.0	@.354	.444	.500	.516	.031	.462
907-2185-***	1/0		50.0	@.421	.444	.500	.516	.031	.462
907-2190-***	1/0	2		.359	.444	.536	.516	.031	.462
907-2210-***	1/0	2		.417	.444	.536	.462	.031	.462
907-2200-***	1/0	1		.390	.444	.536	.462	.031	.462
907-2201-***	1/0		35.0		.444			.031	
907-2202-***	1/0		50.0		.444			.031	
907-2203-***	2/0	2		.359	.491	.528		.031	
907-2204-***	2/0		25.0		.491			.031	
907-2205-***	2/0		70.0		.491			.031	
907-2206-***	2/0		50.0		.491			.031	
907-2210-***	70 MM		25.0					.031	
907-2211-***	70 MM		50.0					.031	
907-2207-***	95 MM		70.0					.031	
907-2219-***	4/0	2	67.4		.629	.700	.719	.031	.462
907-2220-***	4/0	2/0	67.4	.500	.629	.700	.719	.031	.562
907-2221-***	4/0	3/0	67.4		.629	.700	.719	.031	.562
907-2230-***	150 MM		70.0	.500	.629	.700	.719	.031	.562
907-2240-***	190 MM	4/0	107.0					.031	
907-2250-***	DIN500		16.0					.031	
907-2253-***	DIN500		35.0					.031	

= ± .001
@ = ± .002

907-10*** SERIES

CRIMP ADAPTER FOR WIRE SIZE LARGER THAN CONTACT

907 - 1 XXX - XXX

SERIES PREFIX ——— **MATERIAL/FINISH**

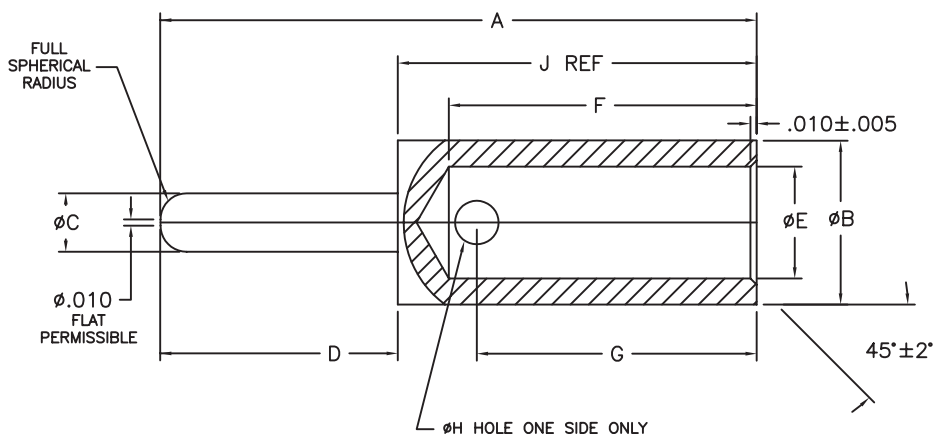
WIRE SIZE ———

1 For Wire Size Larger Than Contact
2 For Wire Size Smaller Than Contact

DESCRIPTIVE NUMBER ———

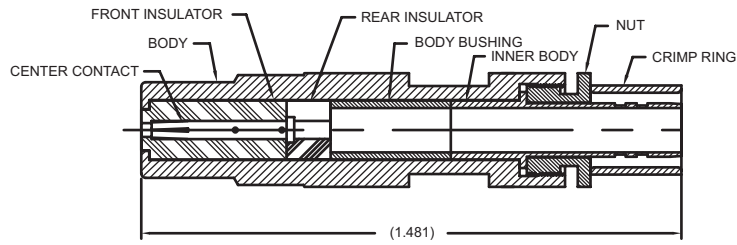
CODE	MATERIAL	FINISH
-000*	360 Brass	Silver over nickel
-011*	360 Brass	Silver over nickel
-100	353 Brass	Unplated
-110	353 Brass	Silver over nickel
-140	353 Brass	Light gold over nickel
-142	353 Brass	Heavy gold over nickel

* Material/finish codes -000 & -011 are obsolete. Both replaced by -110



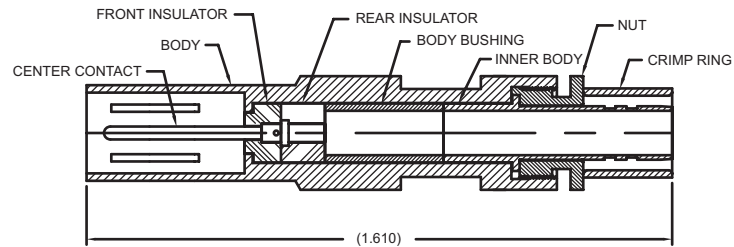
PART NUMBER	CRIMP CONTACT WIRE BARREL SIZE AWG	WIRE RANGE	A +/- .010	B +/- .002	C +/- .002	D +/- .005	E +/- .002	F +/- .010	G +/- .005	H +/- .002	J REF
907-1010-***	12	8-10	.807	.264	.094	.230	.181	.495	.450	.070	.577
907-1020-***	16	12-14	.549	.149	.062	.230	.100	.260	.220	.039	.319
907-1021-***	16	12-14	.617	.156	.062	.200	.100	.200	.160	.039	.400
907-1030-***	20	12-14	.509	.149	.038	.190	.100	.260	.220	.039	.319
907-1040-***	20	16-18	.499	.102	.038	.190	.067	.260	.220	.039	.309
907-1050-***	22	20-22	.363	.069	.029	.120	.047	.199	.190	.029	.243

SIZE 8 COAXIAL SOCKET CONTACT



TYPICAL PIN CONSTRUCTION

A12-4XXX-853



TYPICAL SOCKET COSTRUCTION

D12-4XXX-853

CABLE RG	PIN	SOCKET	CRIMP TOOL DIE *	DIE CLOSURE
RG-58	A12-4000-853	D12-4000-853	M22520/5-41	B
RG-141	A12-4020-853	D12-4020-853	M22520/5-41	B
RG-59	A12-4100-853	D12-4100-853	M22520/5-19	A
RG-62A; 62B	A12-4110-853	D12-4110-853	M22520/5-45	B
RG-174	A12-4200-853	D12-4200-853	M22520/5-35	B
RG-179B; 316	A12-4210-853	D12-4210-853	M22520/5-35	B
RG-180B	A12-4300-853	D12-4300-853	M22520/5-19	B

* USE CRIMP TOOL M22520/5-01

TOOLING

INSERTION, REMOVAL AND CRIMP TOOLS FOR F80 CRIMP CONTACTS

CONTACT		WIRE SIZE (AWG)	INSERTION TOOL	REMOVAL TOOL KIT	GUIDE PINS	MANUAL CRIMP TOOL FRAME		PICO TOOLS MODEL 300		PICO TOOLS MODEL 400-BHD		PICO TOOLS MODEL 500-D	
						MS3191A	M22520/1-01	DIE PART NO. (Note 2)	LOCATOR PART NO.	DIE PART NO. (Note 2)	LOCATOR PART NO.	DIE PART NO. (Note 2)	LOCATOR PART NO.
P/N	SIZE					LOCATOR	LOCATOR						
R12-2500-★	18 Pin	20-26	T117346	T118249	—	—	—	—	—	414DA-20N	9632	514DA-20N	10627
T12-2500-★	18 Skt	20-26	T117346	T118249	T125000	—	—	—	—	414DA-20N	9641	514DA-20N	10640
R12-3600-★	16 Pin	16-18	T117345	T118250	—	600091†	TH378★	314DA-16	C17P	414DA-16N	9633	514DA-16N	10628
T12-3600-★	16 Skt	16-18	T117345	T118250	T125001	600092M†	TH378★	314DA-16	C17S	414DA-16N	9642	514DA-16N	10641
R12-3608-★	16 Pin	24-26	T117346	T118250	—	—	—	—	—	414DA-22N	9633	—	—
T12-3608-★	16 Skt	24-26	T117346	T118250	T125001	—	—	—	—	414DA-22N	9642	—	—
R12-3612-★	16 Pin	20	T117345	T118250	—	—	—	—	—	414DA-16N	9633	514DA-16N	10628
T12-3612-★	16 Skt	20	T117345	T118250	T125001	—	—	—	—	414DA-16N	9642	514DA-16N	10641
R12-3613-★	16 Pin	20-26	T117346	T118250	—	—	TH378★	314DA-20	C17P	414DA-16N	9633	514DA-16N	10628
T12-3613-★	16 Skt	20-26	T117346	T118250	T125001	—	TH378★	314DA-20	C17S	414DA-16N	9642	514DA-16N	10641
R12-3615-★	16 Pin	18	T117345	T118250	—	—	TH378★	314DA-20	C17P	414DA-16N	9633	514DA-16N	10628
T12-3615-★	16 Skt	18	T117345	T118250	T125001	—	TH378★	314DA-20	C17S	414DA-16N	9642	514DA-16N	10641
R12-3620-★	16 Pin	14	T117345	T118250	—	—	TH378★	314DA-16	C17P	414DA-16N	9633	514DA-16N	10628
T12-3620-★	16 Skt	14	T117345	T118250	T125001	—	TH378★	314DA-16	C17S	414DA-16N	9642	514DA-16N	10641
R12-3626-★	16 Pin	12	T117082	T118250	—	—	TH378★	314DA-12	C17P	414DA-12N	9633	514DA-12N	10628
T12-3626-★	16 Skt	12	T117082	T118250	T125001	—	TH378★	314DA-12	C17S	414DA-12N	9642	514DA-12N	10641
R12-3632-★	16 Pin	28-32	T117345	T118250	—	—	—	—	—	414DA-16N048	9633	514DA-16N048	10628
T12-3632-★	16 Skt	28-32	T117345	T118250	T125001	—	—	—	—	414DA-16N048	9642	514DA-16N048	10641
R12-4900-★	16S Pin	16-18	T117345	T118250	—	600093†	TH379★	314DA-16	C16P	414DA-16N	9634	514DA-16N	10629
T12-4900-★	16S Skt	16-18	T117345	T118250	T125001	600245†	TH379★	314DA-16	C16S	414DA-16N	9634	514DA-16N	10629
R12-4912-★	16S Pin	20	T117345	T118250	—	—	TH379★	314DA-20	C16P	414DA-16N	9634	514DA-16N	10629
T12-4912-★	16S Skt	20	T117345	T118250	T125001	—	TH379★	314DA-20	C16S	414DA-16N	9634	514DA-16N	10629
R12-4913-★	16S Pin	20-26	T117346	T118250	—	—	—	—	—	414DA-20N	9634	514DA-20N	10629
T12-4913-★	16S Skt	20-26	T117346	T118250	T125001	—	—	—	—	414DA-20N	9634	514DA-20N	10629
R12-4915-★	16S Pin	18	T117345	T118250	—	—	—	—	—	414DA-16N	9634	514DA-16N	10629
T12-4915-★	16S Skt	18	T117345	T118250	T125001	—	—	—	—	414DA-16N	9634	514DA-16N	10629
R12-4920-★	16S Pin	14	T117345	T118250	—	—	TH379★	314DA-16	C16P	414DA-16N	9634	514DA-16N	10629
T12-4920-★	16S Skt	14	T117345	T118250	T125001	—	TH379★	314DA-16	C16S	414DA-16N	9634	514DA-16N	10629
R12-4926-★	16S Pin	12	T117082	T118250	—	—	—	—	—	414DA-18N	9634	514DA-18N	10629
T12-4926-★	16S Skt	12	T117082	T118250	T125001	—	—	—	—	414DA-18N	9634	514DA-18N	10629
R12-6400-★	12 Pin	12	T117082	T118250	—	600216†	TH378★	—	—	414DA-12N	9635	514DA-12N	10630
T12-6400-★	12 Skt	12	T117082	T118250	T125002	600216†	TH378★	—	—	414DA-12N	9635	514DA-12N	10630
R12-6408-★	12 Pin	8	T117082	T118250	—	—	—	—	—	414DA-6N155	9635	514DA-6N155	10630
T12-6408-★	12 Skt	8	T117082	T118250	T125002	—	—	—	—	414DA-6N155	9635	514DA-6N155	10630
R12-6412-★	12 Pin	20	T117345	T118250	—	—	—	—	—	414DA-16N	9635	514DA-16N	10630
T12-6412-★	12 Skt	20	T117345	T118250	T125002	—	—	—	—	414DA-16N	9635	514DA-16N	10630
R12-6415-★	12 Pin	18	T117082	T118250	—	600216†	TH378★	—	—	414DA-16N	9635	514DA-16N	10630
T12-6415-★	12 Skt	18	T117082	T118250	T125002	600216†	TH378★	—	—	414DA-16N	9635	514DA-16N	10630
R12-6420-★	12 Pin	14-18	T117082	T118250	—	—	—	—	—	414DA-10N096	9635	514DA-10N096	10630
T12-6420-★	12 Skt	14-18	T117082	T118250	T125002	—	—	—	—	414DA-10N096	9635	514DA-10N096	10630
R12-6422-★	12 Pin	2.5mm ²	T117082	T118250	—	620216†	—	—	—	414DA-8N142	9635	514DA-8N142	10630
T12-6422-★	12 Skt	2.5mm ²	T117082	T118250	T125002	620216†	—	—	—	414DA-8N142	9635	514DA-8N142	10630
R12-6430-★	12 Pin	4.0mm ²	T117082	T118250	—	7100659†	—	—	—	414DA-10N096	9635	514DA-10N096	10630
T12-6430-★	12 Skt	4.0mm ²	T117082	T118250	T125002	7100659†	—	—	—	414DA-10N	9635	514DA-10N	10630
R12-6431-★	12 Pin	4.0mm ²	T117082	M118250	—	—	—	—	—	414DA-10N	9635	514DA-10N	10630
T12-6431-★	12 Skt	4.0mm ²	T117082	M118250	T125002	—	—	—	—	414DA-18N	9635	514DA-18N	10630
R12-6438-★	12 Pin	6.0mm ²	T117082	M118250	—	—	—	—	—	414DA-10N	9635	514DA-10N	10630
T12-6438-★	12 Skt	6.0mm ²	T117082	M118250	T125002	—	—	—	—	414DA-10N	9635	514DA-10N	10630

★ Indicates additional alpha-numeric are required to complete part number.

† Locators provided by Astro Tool.

Note 1. Consult Sales Department

Note 2. Pico Tools Die part numbers ending in letter N are for an 8 indent crimp. For a Hex crimp, change letter N to HEX.

CONTINUED ON NEXT PAGE



INSERTION, REMOVAL AND CRIMP TOOLS FOR **F80** CRIMP CONTACTS

CONTINUED FROM PREVIOUS PAGE

CONTACT		WIRE SIZE (AWG)	INSERTION TOOL	REMOVAL TOOL KIT	GUIDE PINS	MANUAL CRIMP TOOL FRAME		PICO TOOLS MODEL 300		PICO TOOLS MODEL 400B HD		PICO TOOLS MODEL 500D		
P/N	SIZE					MS3191A LOCATOR	M22520/1-01 LOCATOR	DIE PART NO. (Note 2)	LOCATOR PART NO.	DIE PART NO. (Note 2)	LOCATOR PART NO.	DIE PART NO. (Note 2)	LOCATOR PART NO.	
R12-7900-★	8 Pin	8	T117344	T118260	Not Required	-	-	-	-	414DA-6N155	9636	514DA-6N155	10631	
T12-7900-★	8 Skt	8	T117344	T118260		-	-	-	-	414DA-6N155	9636	514DA-6N155	10631	
R12-7915-★	8 Pin	18	T117082	T118260		-	-	-	-	414DA-12N077	9636	514DA-12N077	10631	
T12-7915-★	8 Skt	18	T117082	T118260		-	-	-	-	414DA-12N077	9636	514DA-12N077	10631	
R12-7918-★	8 Pin	14-18	T117082	T118260		-	-	-	-	414DA-18N	9636	514DA-18N	10631	
T12-7918-★	8 Skt	14-18	T117082	T118260		-	-	-	-	414DA-18N	9636	514DA-18N	10631	
R12-7926-★	8 Pin	12	T117082	T118260		-	-	-	-	414DA-18N	9636	514DA-18N	10631	
T12-7926-★	8 Skt	12	T117082	T118260		-	-	-	-	414DA-18N	9636	514DA-18N	10631	
R12-7930-★	8 Pin	4.0mm ²	T117082	T118260		-	-	-	-	414DA-10N096	9636	514DA-10N096	10631	
T12-7930-★	8 Skt	4.0mm ²	T117082	T118260		-	-	-	-	414DA-10N096	9636	514DA-10N096	10631	
R12-7950-★	8 Pin	10.0mm ²	T117344	T118260		-	-	-	-	414DA-8N142	9636	514DA-8N142	10631	
T12-7950-★	8 Skt	10.0mm ²	T117344	T118260		-	-	-	-	414DA-8N142	9636	514DA-8N142	10631	
R12-7958-★	8 Pin	6	Note 1	T118260		-	-	-	-	414DA-6N170	9636	514DA-6N170	10631	
T12-7958-★	8 Skt	6	Note 1	T118260		-	-	-	-	414DA-6N170	9636	514DA-6N170	10631	
R12-8500-★	4 Pin	4	T117347	T118270		Not Required	-	-	-	-	414DA-4N215	9637	514DA-4N215	10632
T12-8500-★	4 Skt	4	T117347	T118270	-		-	-	-	414DA-4N215	9637	514DA-4N215	10632	
R12-8522-★	4 Pin	2.5mm ²	T117082	T118270	-		-	-	-	414DA-18N	9637	514DA-18N	10632	
T12-8522-★	4 Skt	2.5mm ²	T117082	T118270	-		-	-	-	414DA-18N	9637	514DA-18N	10632	
R12-8525-★	4 Pin	25.0mm ²	T117347	T118270	-		-	-	-	414DA-4N	9637	514DA-4N	10632	
T12-8525-★	4 Skt	25.0mm ²	T117347	T118270	-		-	-	-	414DA-4N	9637	514DA-4N	10632	
R12-8526-★	4 Pin	12	T117082	T118270	-		-	-	-	414DA-10N	9637	514DA-10N	10632	
T12-8526-★	4 Skt	12	T117082	T118270	-		-	-	-	414DA-10N	9637	514DA-10N	10632	
R12-8530-★	4 Pin	4.0mm ²	T117082	T118270	-		-	-	-	414DA-10N105	9637	514DA-10N105	10632	
T12-8530-★	4 Skt	4.0mm ²	T117082	T118270	-		-	-	-	414DA-10N105	9637	514DA-10N105	10632	
R12-8535-★	4 Pin	35.0mm ²	T117348	T118270	-		-	-	-	414DA-0N315	9637	514DA-0N315	10632	
T12-8535-★	4 Skt	35.0mm ²	T117348	T118270	-		-	-	-	414DA-0N315	9637	514DA-0N315	10632	
R12-8550-★	4 Pin	10.0mm ²	T117344	T118270	-		-	-	-	414DA-8N142	9637	514DA-8N142	10632	
T12-8550-★	4 Skt	10.0mm ²	T117344	T118270	-		-	-	-	414DA-8N142	9637	514DA-8N142	10632	
R12-8562-★	4 Pin	16.0mm ²	T117347	T118270	-		-	-	-	414DA-4N	9637	514DA-4N	10632	
T12-8562-★	4 Skt	16.0mm ²	T117347	T118270	-	-	-	-	414DA-4N	9637	514DA-4N	10632		
R12-9200-★	1/0 Pin	1/0	T117348	T118280	Not Required	-	-	-	-	414DA-0N	9638	514DA-0N	10633	
T12-9200-★	1/0 Skt	1/0	T117348	T118280		-	-	-	-	414DA-0N	9638	514DA-0N	10633	
R12-9225-★	1/0 Pin	25.0mm ²	T117347	T118280		-	-	-	-	414DA-4N	9638	514DA-4N	10633	
T12-9225-★	1/0 Skt	25.0mm ²	T117347	T118280		-	-	-	-	414DA-4N	9638	514DA-4N	10633	
R12-9235-★	1/0 Pin	35.0mm ²	T117348	T118280		-	-	-	-	414DA-0N	9638	514DA-0N	10633	
T12-9235-★	1/0 Skt	35.0mm ²	T117348	T118280		-	-	-	-	414DA-0N	9638	514DA-0N	10633	
R12-9245-★	1/0 Pin	8	T117344	T118280		-	-	-	-	414DA-6N155	9638	514DA-6N155	10633	
T12-9245-★	1/0 Skt	8	T117344	T118280		-	-	-	-	414DA-6N155	9638	514DA-6N155	10633	
R12-9246-★	1/0 Pin	4	Note 1	T118280		-	-	-	-	414DA-4N	9638	514DA-4N	10633	
T12-9246-★	1/0 Skt	4	Note 1	T118280		-	-	-	-	414DA-4N	9638	514DA-4N	10633	
R12-9250-★	1/0 Pin	10.0mm ²	T117344	T118280		-	-	-	-	414DA-4N	9638	514DA-4N	10633	
T12-9250-★	1/0 Skt	10.0mm ²	T117344	T118280		-	-	-	-	414DA-4N	9638	514DA-4N	10633	
R12-9275-★	1/0 Pin	50.0mm ²	T117348	T118280		-	-	-	-	414DA-0N	9638	514DA-0N	10633	
T12-9275-★	1/0 Skt	50.0mm ²	T117348	T118280		-	-	-	-	414DA-0N	9638	514DA-0N	10633	
R12-9700-★	4/0 Pin	4/0	Note 1	Note 1		Not Required	-	-	-	-	-	-	514DA-N470	10636
T12-9700-★	4/0 Skt	4/0	Note 1	Note 1	-		-	-	-	-	-	-	514DA-N470	10639
R12-9790-★	4/0 Pin	2	Note 1	Note 1	-		-	-	-	414DA-0N	9639	514DA-0N	10634	
T12-9790-★	4/0 Skt	2	Note 1	Note 1	-		-	-	-	414DA-0N	9640	514DA-0N	10637	
R12-97115-★	4/0 Pin	1/0	Note 1	Note 1	-		-	-	-	414DA-0N	9639	514DA-0N	10634	
T12-97115-★	4/0 Skt	1/0	Note 1	Note 1	-		-	-	-	414DA-0N	9640	514DA-0N	10637	
R12-97135-★	4/0 Pin	2/0	Note 1	Note 1	-		-	-	-	-	-	514DA-N345	10635	
T12-97135-★	4/0 Skt	2/0	Note 1	Note 1	-		-	-	-	-	-	514DA-N345	10638	

Note 1. Consult sales department.

Note 2. Pico Tools Die part numbers ending in letter N are for an 8 indent crimp. For Hex crimp, change letter N to HEX.

★ Indicates additional alpha- numerics are required to complete part number.

† Locators provided by Astro Tool.

3C

TOOLING

INSERTION AND REMOVAL TOOLS FOR **F80** CRIMP CONTACTS

ALTERNATE INSERTION TOOLS

CONTACT SIZE	SPACECRAFT	ASTRO TOOL	BENDIX	ITT CANNON	COMMITAL	DANIELS	VEAM
18	T117346	–	–	–	M.117346	–	T98143
16	T117345	ATBX1-7345	11-7345	CIT-F80-16	M.117345	DAK168-16	11-7345
12	T117082	ATBX1-7082	11-7082	CIT-F80-12	M.117082	DAK168-12	46736
8	T117344	ATBX1-8220	11-8220	CIT-8	M117344	DAK159	A46151-8T50
4	T117347	ATC1377	11-7365-4*	CIT-4	M.117347	–	A46151-4T50
1/0	T117348	–	11-7365-5*	CIT-0	M.117348	–	A46151-0T50

* Requires 11-7364 Arbor Press

ALTERNATE REMOVAL TOOLS

CONTACT SIZE	SPACECRAFT	ASTRO TOOL	BENDIX	ITT CANNON	COMMITAL	DANIELS	VEAM
18	T118249	–	–	–	M.118249	–	11-7576-37
16	T118250	ATBX2-8250	11-8250(Kit)	CET-F80-16	M.118250	DRK59	A43240
12	T118250	ATBX2-8250	11-8250(Kit)	CET-F80-12	M.118250	DRK59	A43240
8	T118260	ATBX2-8250	11-8250(Kit)	CET-8	M.118260	DRK59	A43240-8
4	T118270	ATC2234	P=11-7370-4* S=11-7674-2*	CET-4	M.118270	–	46150-4
1/0	T118280	–	P=11-7370-5* S=11-7674-3*	CET-0	M.118280	–	46150-0

* Requires 11-7364 Arbor Press

ALTERNATE GUIDE PINS

CONTACT SIZE	SPACECRAFT	BENDIX	ITT CANNON	COMMITAL	VEAM
18	T125000	–	–	M.125000	27977-20T50
16	T125001	Unknown	226-1017-000	M.125001	27977-16T50
12	T125002	Unknown	226-1018-000	M.125002	27977-16T50
8	T125003	Unknown	Not Required	M.125003	Not Required
4	Not Required	Not Required	Not Required	Not Required	Not Required
1/0	Not Required	Not Required	Not Required	Not Required	Not Required

MIL-DTL-5015 SERIES I

THERMOCOUPLE CONTACTS

A thermocouple is essentially a pair of wires of dissimilar metals connected at both ends. When the two junctions are subjected to different temperatures, an electrical potential is set up between them, almost directly proportional to the temperature difference. A voltage measuring instrument in the circuit can thus measure temperature. Because thermocouple junctions can withstand higher temperatures than the connectors used in conjunction with them, care must be taken to isolate the connectors. While contacts can withstand temperatures shown in the following table, standard insert materials can withstand only 257°F continuous operation. However, special dielectrics and shell finishes can extend the usable connector range above 500°F.

THERMOCOUPLE LIMITS		
COMBINATION	CONDITIONS	TEMPERATURE RANGE
Copper-Constantan (Note 1)	Material has good resistance to corrosion with long life and stable calibration.	Thermocouple Junction: Below 500°F Connector Contacts: 400°F
Iron-Constantan (Note 1)	Material can be used in either oxidizing or reducing atmospheres. It is not recommended for low temperatures and in the presence of moisture due to the rusting of the iron.	Thermocouple Junction: 500°F to 1200°F Connector Contacts: *600°F
Chromel-Alumel (Note 1)	Material is good for high temperature work and is more stable than iron and constantan combinations.	Thermocouple Junction: High Temperature Connector Contacts: *400°F
* These contacts can withstand higher temperatures but have not been tested because the general line of connectors will not withstand such temperatures in continuous operation. (Note 1) - These are registered Trade names of the Hoskins Corporation.		

THERMOCOUPLE MATERIALS

CONTACT DESIGNATION	MATERIAL	ASTM-E230 SPECIFICATIONS	Polarity	MAGNETISM
Alumel (Al) (Note 1)	94% Nickel; 2.5% Manganese; 2% Aluminum; 1% Silicone; ½% Iron	Type KN	Negative	Magnetic
Constantan (Co) (Note 1)	45% to 60% Copper; 40% to 55% Nickel; 0 to 1.4% Manganese; 0.1% Iron	Type JN	Negative	Non-Magnetic
Copper (Cu) (Note 1)	87.5 to 90% Copper; 1.8 to 2.2% Lead; .1% Iron; 5% Nickel; .5% normal impurities and balance zinc	Type T	Positive	Non-Magnetic
Iron (Ir) (Note 1)	84.4% Iron; 2% Carbon; 3% manganese; 6% Phosphorus; 2% Sulphur; 4% Silicone; 8.1% Copper; 9% Tin (Cadmium plated for corrosion resistance)	Type JP	Positive	Magnetic
Chromel P (Ch) (Note 1)	90% Nickel; 10% Chromium	Type KP	Positive	Non-Magnetic

(Note 1) - These are registered Trade names of the Hoskins Corporation.

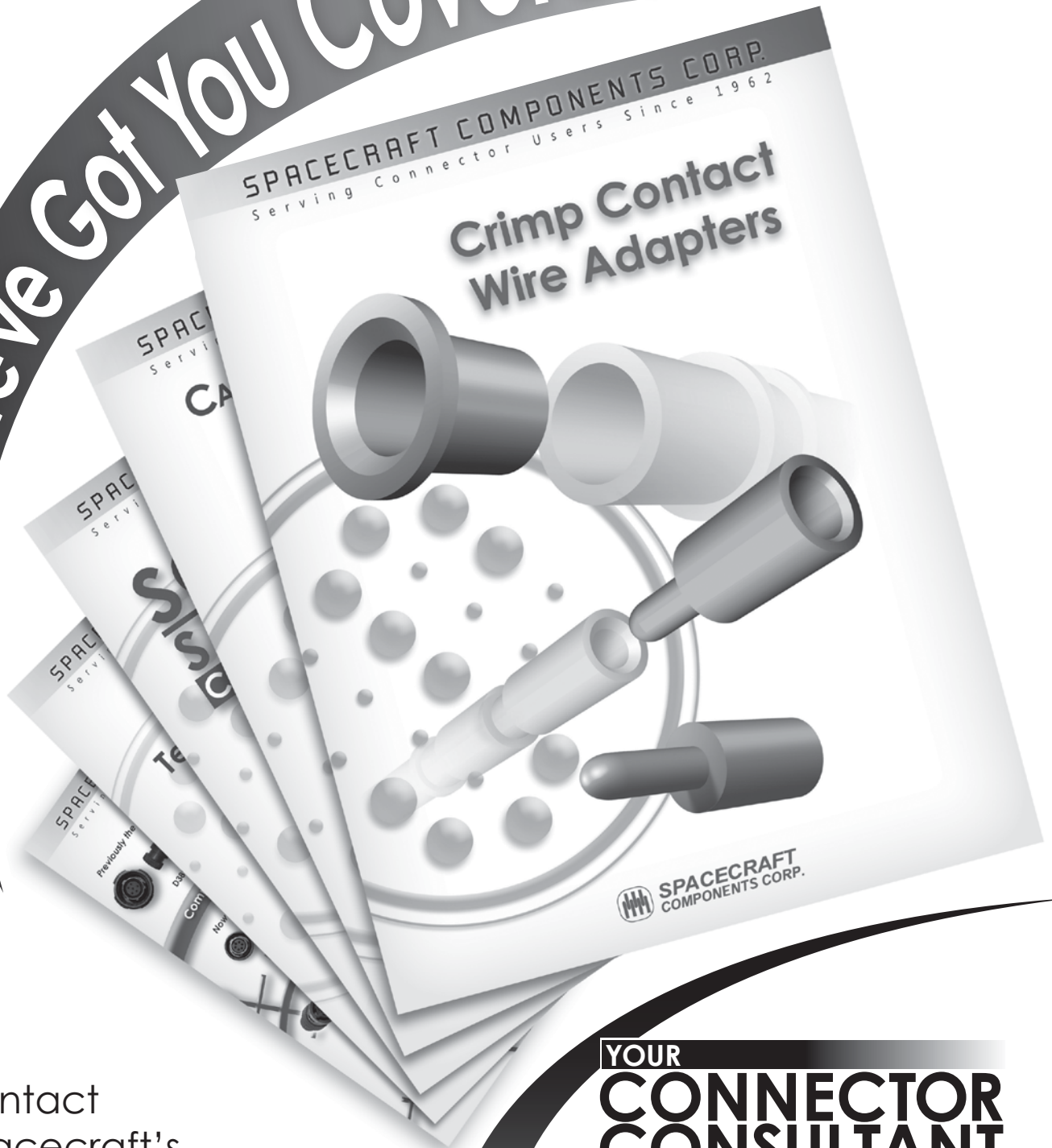
CONTACT COLOR CODING

CONTACT MATERIAL	COLOR
Alumel	Green
Chromel	White
Copper	—
Constantan	Yellow
Iron	Black

For solder thermocouple contacts, see page 11A-3.

For crimp thermocouple contacts, see pages 11A-4 thru 11A-7.

We've Got You Covered



Contact
Spacecraft's
Consultative Sales Team
for Ordering Information



YOUR
**CONNECTOR
CONSULTANT**
SINCE 1962

 **SPACECRAFT
COMPONENTS CORP.**

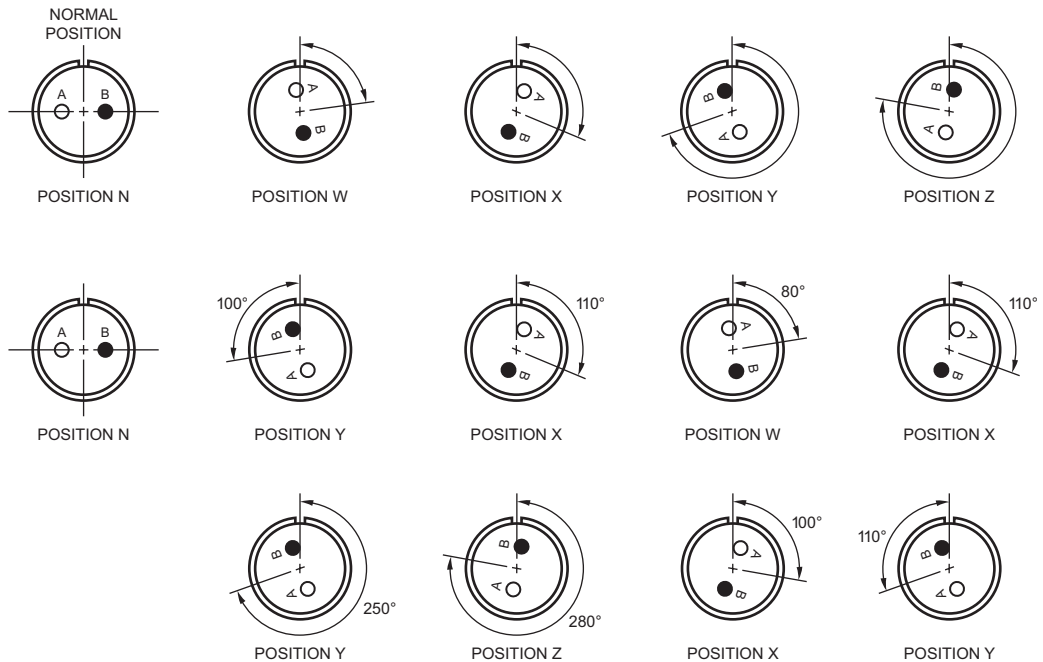
702.851.7600

SECTION 4C

INSERT CONFIGURATIONS

ALTERNATE POSITIONS (POLARIZATION)

The diagrams indicate alternate insert positions. The four positions (W, X, Y, and Z) differ in degree of rotation for various sizes and layouts.



ENGAGING FACE OF PIN INSERTS SHOWN
SOCKET INSERTS ARE MIRROR IMAGES

MIL-DTL-5015

INSERT CONFIGURATIONS BY SHELL SIZE

PART NUMBER	CONTACTS								ALTERNATE POSITIONS (Degrees)				REMARKS
	TOTAL	SIZE							W	X	Y	Z	
		# 20	# 18	# 16	# 12	# 8	# 4	# 0					
8S-1†	1			1					-	-	-	-	
10S-2†	1			1					-	-	-	-	
10SL-3†★	3			3					-	-	-	-	Position Q = 180°
10SL-4‡★	2			2					-	-	-	-	
12S-1‡	2			2					-	-	-	-	Position #12 of 12S-3
12S-2‡	2			2					-	-	-	-	Position #13 of 12S-3
12S-3‡	2			2					70	145	215	290	
12S-4‡	1			1					-	-	-	-	
12-5‡	1			1					-	-	-	-	
14S-1‡	3			3					-	-	-	-	Same as 14S-7
14S-2†	4			4					-	120	240	-	
14-3†	1						1		-	-	-	-	
14S-4‡	1			1					-	-	-	-	
14S-5†	5			5					-	110	-	-	
14S-6†	6			6					-	-	-	-	Non-Military Positions W=80°
14S-07	7			7					-	-	-	-	Use 14SA7
14SA7	7			7					-	-	-	-	Replaces: 14SA7, 14-07
14S-7†	3			3					90	180	270	-	
14S-9‡	2			2					70	145	215	290	
14S-10‡	4			4					-	-	-	-	Position #12 of 14S-2
14S-11‡	4			4					-	-	-	-	Position #13 of 14S-2
14S-12‡	3			3					-	-	-	-	Position #12 of 14S-1
14S-13‡	3			3					-	-	-	-	Position #2 of 14S-1
14S-14‡	4			4					-	-	-	-	Position #12 of 14S-2
16S-1†★	7			7					80	-	-	280	
16-2†	1				1				-	-	-	-	
16S-3†	1			1					-	-	-	-	
16S-4†★	2			2					35	110	250	325	
16S-5‡	3			3					70	145	215	290	
16S-6‡	3			3					90	180	270	-	
16-7†	3			2			1		80	110	250	280	
16S-8†	5			5					-	170	265	-	
16-9†	4			2	2				35	110	250	325	
16-10†★	3				3				90	180	270	-	
16A10	10			10					35	112	235	315	
16-11†	2				2				35	110	250	325	
16A11★	2				2				-	110	250	-	
16-12†★	1							1	-	-	-	-	
16S-14‡	3			3					-	-	-	-	Position #3 of 16S-5
16S-15†	2			2					-	-	-	-	Position #12 of 16S-4
16S-16†	2			2					-	-	-	-	Position #13 of 16S-4
18-1†★	10			10					70	145	215	290	
18-3‡	2				2				35	110	250	325	
18-4†	4			4					35	110	250	325	
18-5†	3			1	2				80	110	250	280	
18-06†	6			2	4				-	180	-	-	Use 18A6
18-6†	1							1	-	-	-	-	
18A6	6			2	4				-	180	-	-	
18-7†	1							1	-	-	-	-	
18-8†	8			7	1				70	-	-	290	
18-9†	7			5	2				80	110	270	280	

† = Military designation per MIL-STD-1651
‡ = Military designation inactive for new design.
★ = VG95234

INSERT CONFIGURATIONS BY SHELL SIZE

PART NUMBER	CONTACTS							ALTERNATE POSITIONS (Degrees)				REMARKS	
	TOTAL	SIZE						W	X	Y	Z		
		# 20	# 18	# 16	# 12	# 8	# 4						# 0
18-10‡	4				4				-	120	240	-	
18-11†★	5				5				-	170	265	-	
18-12†	6			6					80	-	-	280	
18-13†★	4				3	1			80	110	250	280	
18-14†	2			1			1		80	110	250	280	
18-15†	4				4				-	120	240	-	
18-16	1				1				-	-	-	-	High voltage
18-17‡	7			5	2				-	-	-	-	100 Deg Rotation To Right of 18-9
18-18‡	7			5	2				-	-	-	-	250 Deg Rotation To Right of 18-9
18-19‡	10			10					-	120	240	-	
18-20‡	5			5					90	180	270	-	
18-21‡	3				3				90	180	270	-	
18-22‡	3			3					70	145	215	290	
18-23‡	10			10					-	-	-	-	Position #12 of 18-1
18-24‡	10			10					-	-	-	-	Position #13 of 18-1
18-25‡	2				2				-	-	-	-	Position #12 of 18-3
18-26‡	2				2				-	-	-	-	Position #13 of 18-3
18-27‡	3			1	2				-	-	-	-	Position #12 of 18-5
18-28‡	3			1	2				90	180	270	-	Position #13 of 18-5
18-29‡	5			5					90	180	270	-	
18-30‡	5			5					-	-	-	-	Position #3 of 18-20
18-31‡	5			5					-	-	-	-	Position #2 of 18-20
18A31	10			10					-	-	-	-	Position #5 of 18-1
18-2005-31	10			10					-	-	-	-	Position #5 of 18-1
20-1‡	14			14					-	-	-	-	Same as 20-27
20-2†★	1						1		-	-	-	-	
20-3‡	3				3				70	145	215	290	
20-4†	4				4				45	110	250	-	
20-5‡	2			2					35	110	250	325	
20-6‡	3			3					70	145	215	290	
20-7†	8			8					80	110	250	280	
20-8†★	6			4		2			80	110	250	280	
20B8	8			4	4				-	-	-	-	
20-9†	8			7	1				80	110	250	280	
20A9★	9			9					-	110	250	-	
20-10‡	4			4					-	-	-	-	
20-11‡	13			13					-	-	-	-	
20-12‡	2			1			1		80	110	250	280	
20-13‡	4			4					-	-	-	-	
20-14†	5				3	2			80	110	250	280	
20-15†★	7				7				80	-	-	280	
20-16†	9			7	2				80	110	250	280	
20A16	13			13					-	-	-	-	Same as 20-11
20-17†	6			1	5				90	180	270	-	
20-18†	9			6	3				35	110	250	325	
20-19‡	3					3			90	180	270	-	
20-20‡	4				3		1		80	110	250	280	
20-21†	9			8	1				35	110	250	325	
20-22†	6			3		3			80	110	250	280	
20-23‡	2					2			35	110	250	325	
20-24‡	4			2		2			35	110	250	325	

† = Military designation per MIL-STD-1651
‡ = Military designation inactive for new design.
★ = VG95234

4C

MIL-DTL-5015

INSERT CONFIGURATIONS BY SHELL SIZE

PART NUMBER	CONTACTS								ALTERNATE POSITIONS (Degrees)				REMARKS
	TOTAL	SIZE							W	X	Y	Z	
	# 20	# 18	# 16	# 12	# 8	# 4	# 0						
20-25‡	13			13					-	-	-	-	Position #12 of 20-11
20-26‡	3				3				-	-	-	-	
20-27†	14			14					35	110	250	325	
20-29†	17			17					80	-	-	280	
20-30‡	13			13					-	-	-	-	Position #13 of 20-11
20-31‡	11			11					-	-	-	-	
20-32‡	8			8					-	-	-	-	Position #2 of 20-7
20-33†	11			11					-	-	-	-	
20A48★	19			19					-	80	280	-	
20-58	10			5	5				-	-	-	-	
20-629	4			4					-	-	-	-	Same as 20-10
20-854	2				2				-	-	-	-	
20-2006-37	4				4				-	-	-	-	Position #8 of 20-4
22-1‡	2					2			35	110	250	325	
22-2†	3					3			70	145	215	290	
22-3‡	2			1			1		80	110	250	280	
22-4‡	4				2	2			35	110	250	325	
22-5‡	6			4	2				35	110	250	325	
22-6‡	3			1		2			80	110	250	280	
22-7†	1						1		-	-	-	-	
22-8‡	2				2				35	110	250	325	
22-9†	3				3				70	145	215	290	
22-10†	4			4					35	110	250	325	
22A10	10			10					-	120	240	-	
22-11†	2			2					35	110	250	325	
22-12†★	5			3		2			80	110	250	280	
22-13‡	5			1	4				35	110	250	325	
22-14†★	19			19					80	110	250	280	
22-15†	6			1	5				80	110	250	280	
22-16‡	9			6	3				80	110	250	280	
22-17†	9			8	1				80	110	250	280	
22-18†	8			8					80	110	250	280	
22-19†	14			14					80	110	250	280	
22-20‡	9			9					35	110	250	325	
22-21†	3			2			1		80	110	250	280	
22-22†★	4					4			-	110	250	-	
22B22★	4					4			-	110	250	-	
22-23†	8				8				35	-	250	-	
22-24‡	6			4	2				80	110	250	280	
22-25‡	3			2			1		80	110	250	280	
22-26‡	7			5	2				-	-	-	-	
22-27†★	9			8		1			80	-	250	280	
22-28‡	7				7				80	-	-	280	
22-29‡	7			6			1		80	110	250	280	
22-30‡	19			19					-	-	-	-	Position #12 of 22-14
22-31‡	2			2					-	-	-	-	Position #12 of 22-11
22-32‡	6			4	2				-	-	-	-	Position #2 of 22-5
22-33‡	7			7					80	110	250	280	
22-34‡	5			2	3				80	110	250	280	
22-35‡	3					3			-	-	-	-	
22A37	37		37						80	112	250	280	
22-63	12			8	4				-	-	-	-	

† = Military designation per MIL-STD-1651
‡ = Military designation inactive for new design.
★ = VG95234

INSERT CONFIGURATIONS BY SHELL SIZE

PART NUMBER	CONTACTS							ALTERNATE POSITIONS (Degrees)				REMARKS	
	TOTAL	SIZE						W	X	Y	Z		
		# 20	# 18	# 16	# 12	# 8	# 4						# 0
22-70	13			5	8				-	-	-	-	
22-82	10			8		2			80	110	250	280	
24-1†	2			1				1	80	110	250	280	
24A1	1							1	-	-	-	-	
24-2†	7				7				80	-	-	280	
24-3‡	7			5	2				80	110	250	280	
24-4†	4			3				1	80	110	250	280	
24-5‡	16			16					80	110	250	280	
24G5	5					5			70	110	240	270	
24-06	6			2		4			40	-	-	320	Use 24C06
24-6†	8				8				80	110	250	280	
24A6	6				4	2			40	-	-	320	
24C06	6			2		4			40	-	-	320	
24-07	7				7				80	-	-	280	Use 24A7
24-7†	16			14	2				80	110	250	280	
24A7	7				7				80	-	-	280	
24-9‡	2						2		35	110	250	325	
24-10†★	7					7			80	-	-	280	
24-11†★	9				6	3			35	110	250	325	
24-12†★	5				3		2		80	110	250	280	
24S12	12			10			2						
24-013	13			7	6				-	-	-	-	Use 24A13
24A13	13			7	6				-	-	-	-	
24-14‡	3				2			1	80	110	250	280	
24-15‡	16			16					-	-	-	-	Position #12 of 24-5
24-16†	7			3	3	1			80	110	250	280	
24-17‡	5			3	2				80	110	250	280	
24-18	4			4					-	-	-	-	Shorting type
24-19‡	12			12					-	-	-	-	
24-20†	11			9	2				80	110	250	280	
24-21†	10			9		1			80	110	250	280	
24-22†	4					4			45	110	250	-	
24-23‡	5			2		3			80	110	250	280	
24-24‡	16			16					-	-	-	-	Position #13 of 24-5
24-25‡	8				8				-	-	-	-	Position #12 of 24-6
24A25	25			25					80	110	250	280	
24-26‡	8				8				-	-	-	-	Position #13 of 24-6
24-27†	7			7					80	-	-	280	
24-28†	24			24					80	110	250	280	
24A28	28			28					65	146	235	-	
24A35★	16				14	2			-	-	-	-	Position #12 of 24-7
24A40	16			14	2				-	-	-	-	
24A55	55	55							90	110	250	280	
24-58	13			7	3	3			-	-	-	-	
24-59	14			7	7				-	-	-	-	
24-65	15			4	11				-	-	-	-	
24-66	7				7				-	-	-	-	
24-67	19				19				80	-	-	335	
24-79	5					5			-	-	-	-	
24-80†	23			23					35	145	240	300	
24-2008-35	16			14	2				-	-	-	-	Position #12 of 24-7 Same as 24A35
28-1†	9				6	3			80	110	250	280	

† = Military designation per MIL-STD-1651
‡ = Military designation inactive for new design.
★ = VG95234

MIL-DTL-5015

INSERT CONFIGURATIONS BY SHELL SIZE

PART NUMBER	CONTACTS								ALTERNATE POSITIONS (Degrees)				REMARKS
	TOTAL	SIZE							W	X	Y	Z	
		# 20	# 18	# 16	# 12	# 8	# 4	# 0					
28B1	1							1	-	-	-	-	
28-2†	14			12	2				35	110	250	325	
28-3†	3					3			70	145	215	290	
28-4†	9			7	2				80	110	250	280	
28-5†	5			2	1		2		35	110	250	325	
28-6‡	3						3		70	145	215	290	
28-7†	2						2		35	110	250	325	
28-8†	12			10	2				80	110	250	280	
28-09	9			5			4		110	250	260	280	Use 28A9
28-9†	12			6	6				80	110	250	280	
28A9	9			5			4		110	250	260	280	
28-10†	7				3	2	2		80	110	250	280	
28-11†★	22			18	4				80	110	250	280	
28-12†	26			26					90	180	270	-	
28-13‡	26			26					-	-	-	-	Position #12 of 28-12
28-14‡	11			11					80	110	250	280	
28-15†	35			35					80	110	250	280	
28-16‡	20			20					80	110	250	280	
28-17†	15			15					80	110	250	280	
28-18†	12			12					70	145	215	290	
28-19†	10			6	4				80	110	250	280	
28-20†★	14			4	10				80	110	250	280	
28-21†★	37			37					80	110	250	280	
28-22†	6			3			3		70	145	215	290	
28A29	29			27		2			80	110	250	280	
28A31	31		25			6			-	-	-	-	
28A35	35			35					80	110	250	280	
28-51	12				12				80	135	195	-	
28A55	29			29					-	-	-	-	
28-59	17			10	7				35	110	250	325	
28A63★	28			19	9				-	100	260	-	
28-72	72	72							72	144	216	288	
28-79	16			9		7			80	110	250	280	
28-84	9					9			-	-	-	-	
28-124	16			12		4			80	110	250	280	
32-1†★	5				3			2	80	110	250	280	
32A1	1								-	-	-	-	1 Size 4/0 Contact
32-2†	5			2			3		70	145	215	290	
32-3†★	9			4	2		2	1	80	110	250	280	
32 A3	3						3		22	44	75	-	
32-4‡	14			12	2				80	110	250	280	
32-5‡	2							2	35	110	250	325	
32-6†★	23			16	2	3	2		80	110	250	280	
32-7†★	35			28	7				80	125	235	280	
32-8‡	30			24	6				80	125	235	280	
32-9†	14			12			2		80	110	250	280	
32-10‡	7			3		2	2		80	110	250	280	
32-12‡	15			10	5				80	110	250	280	
32-013	13				13				65	130	230	295	Use 32A13
32-13†	23			18	5				80	110	250	280	
32A13	13				13				65	130	230	295	
32-14‡	7				5		2		35	110	250	325	

† = Military designation per MIL-STD-1651
‡ = Military designation inactive for new design.
★ = VG95234

INSERT CONFIGURATIONS BY SHELL SIZE

PART NUMBER	CONTACTS								ALTERNATE POSITIONS (Degrees)				REMARKS
	TOTAL	SIZE							W	X	Y	Z	
		# 20	# 18	# 16	# 12	# 8	# 4	# 0					
32-15†	8				6			2	35	110	250	280	
32-16‡	23			16	2	3	2		-	-	-	-	Position #12 of 32-6
32-17†	4						4		45	110	250	-	
32-18‡	14			12	2				-	-	-	-	Position #12 of 32-4
32-19‡	5				3			2	-	-	-	-	Position #2 of 32-1
32-20‡★	23			16	2	3	2		-	-	-	-	Position #2 of 32-6
32-22†★	54			54					80	110	250	280	
32B22	22			20				2	35	110	250	325	
32A25	25				25				60	120	-	-	
32A27	27			17	10				30	115	285	335	
32A29	23			16	2	3	2		-	-	-	-	Rotation of 32-6
32A30	30			20	10				-	-	-	-	
32-31	31			31					-	-	-	-	
32A40	40			40					35	130	-	-	
32A48	48			48					80	-	-	-	
32-52	8				6			2	-	-	-	-	90 Deg Rotation of 32-15
32-53	42			37	5				-	-	-	-	
32A55	55			55					80	110	250	280	
32-59	42			40		2			36	108	252	324	
32-63†	5						5		-	-	-	-	
32-64	54			54					-	-	-	-	
32-68	16			12			4		65	135	225	275	
32A69*	61	41		20					-	110	250	-	
32-73†	46			46					36	-	-	-	
32-76	19				19				80	110	250	280	
32-79	5					1	4		-	-	-	315	
32-88	54			54					80	110	250	280	
32A401	40			40					-	-	-	-	
32-689	9			6			3		-	-	-	-	
32-2010-29	23			16	2	3	2		-	-	-	-	Position #13 of 32-6
32-2010-30	5				3			2	-	-	-	-	Position #12 of 32-1
36-01	1								-	-	-	-	1 Size 4/0 Contact
36A1	1								-	-	-	-	1 Size 4/0 Contact
36-1‡	22			18	4				80	110	250	280	
36-2‡	5				2			3	-	-	-	-	
36-3†	6				3			3	70	145	215	290	
36-4‡	3							3	70	145	215	290	
36-5†★	4							4	-	120	240	-	
36-6†★	6						4	2	35	110	250	325	
36-7†	47			40	7				80	110	250	280	
36-8†	47			46	1				80	110	250	280	
36-9†	31			14	14	2	1		80	125	235	280	
36-10†★	48			48					80	125	235	280	
36-11‡	48			48					-	-	-	-	Position #12 of 36-10
36-12‡	48			48					-	-	-	-	Position #13 of 36-10
36-13‡	17			15	2				80	110	250	280	
36-14‡	16			6	5	5			90	180	270	-	
36-15†	35			35					60	125	245	305	
36-16‡	47			40	7				-	-	-	-	Position #12 of 36-7
36-17‡	47			40	7				-	-	-	-	Position #13 of 36-7
36-18‡	31			14	14	2	1		-	-	-	-	Position #12 of 36-9
36-19‡	17			10	5		1	1	80	110	250	280	

† = Military designation per MIL-STD-1651
‡ = Military designation inactive for new design.
★ = VG95234

MIL-DTL-5015

INSERT CONFIGURATIONS BY SHELL SIZE

PART NUMBER	CONTACTS								ALTERNATE POSITIONS (Degrees)				REMARKS
	TOTAL	SIZE							W	X	Y	Z	
		# 20	# 18	# 16	# 12	# 8	# 4	# 0					
36-20†	34			30	2	2			-	-	-	-	
36-21‡	31			14	14	2	1		-	-	-	-	Position #2 of 36-9
36-22	22				22				80	110	250	280	
36A22	22				22				-	-	-	-	
36-35	36			32		4			-	-	-	-	
36-51	4						2	2	-	-	-	-	
36A51	6				1		2	3	45	135	225	315	
36-52†	52			52					72	144	216	288	
36-54	39			31		8			-	-	-	-	
36-66†	56			52	4				110	250	260	280	
36-71	53			50	3				-	-	-	-	
36A72	72		52	16	4				-	110	-	-	
36-74	44			43		1			-	-	-	-	
36B78	14			2		12			-	-	-	-	
36D78	14			4		10			-	-	-	-	
40-1†	30			24	6				65	130	235	300	
40-2†	23			23					80	110	250	280	
40S2	2								-	-	-	-	2 Each Size 4/0 Contacts
40-3†	23			18	4		1		80	110	250	280	
40A3	5				2			3	70	145	215	290	
40-4†	23			16	2	3	2		80	110	250	280	
40A4	6				2			4	50	120	240	325	
40B4	4							4	45	110	-	-	
40-5†	15				6	4	2	3	80	110	250	280	
40A5	5				1		1	3	33	-	-	270	
40-6†	26			24	1			1	80	110	250	280	
40A6	6				6				35	110	250	280	
40B5	5							5					
40-7†	22			18	2			2	80	110	250	280	
40A8	8			4			4		35	110	250	325	
40-9†	47			24	22	1			65	125	225	310	
40-10†	29			16		9	4		65	125	225	310	
40A10	8			4			4		80	135	195	-	
40-11†	25			18	4	1	1	1	80	110	250	280	
40-12‡	29			22	6			1	-	-	-	-	
40-13‡	23			23					-	-	-	-	Position #12 of 40-2
40-14‡	32			21	10			1	-	-	-	-	
40B19	19						19		35	105	255	325	
40A24	24				16	8			80	120	245	300	
40-26	26				19	7			80	110	250	280	
40A27	27				25		2		45	110	250	315	
40S27	60			60					-	-	-	-	
40-31	31				31				80	110	250	280	
40-35	35				35				70	130	230	290	
40A38	38				38				37	74	285	322	
40-47	47			24	22	1			65	125	225	310	
40A51	31			16		15			-	-	-	-	
40-53	60			60					80	110	250	280	
40-56†	85			85					72	144	216	288	
40A56	85			85					72	144	216	288	
40N56	85			85					72	144	216	288	
40-57	4							4	-	-	-	-	

† = Military designation per MIL-STD-1651
‡ = Military designation inactive for new design.
* = VG95234

INSERT CONFIGURATIONS BY SHELL SIZE

PART NUMBER	CONTACTS							ALTERNATE POSITIONS (Degrees)				REMARKS	
	TOTAL	SIZE						W	X	Y	Z		
		# 20	# 18	# 16	# 12	# 8	# 4	# 0					
40-60	6							6	80	110	250	280	
40-62	60			60					30	130	220	290	
40A62	62			60		2			80	130	230	280	
40-63	61			61					80	-	-	280	
40A65	65			65					70	145	215	285	
40-67	11			1			10		-	-	-	-	
40-68	21					21			-	-	-	-	
40-70	61			61					-	-	-	-	
40-80	11			1			10		-	-	-	-	
40-82	62			62					-	-	-	-	
40-87	7						7		-	-	-	-	
40-150	150		150						-	-	-	-	
40A150	150		150						-	-	-	-	

† = Military designation per MIL-STD-1651
 ‡ = Military designation inactive for new design.
 * = VG95234

4C

MIL-DTL-5015

INSERT CONFIGURATIONS BY NUMBER OF CONTACTS

FACE VIEW OF PIN INSERTS SHOWN APPROXIMATELY 3/4 ACTUAL SIZE

1 CONTACT

CONTACTS	8S-1† 1-#16	10S-2† 1-#16	12S-4‡ 1-#16	12-5† 1-#12	14-3† 1-#8	14S-4‡ 1-#16	16-2† 1-#12
RATING	A	A	D	D	A	D	E
						For new MIL equip. design, use 12S-4	
CONTACTS	16S-3† 1-#16	16-12† 1-#4	18-6† 1-#4	18-7† 1-#8	20-2† 1-#0		
RATING	B	A	D	B	D		
CONTACTS	22-7† 1-#0	24-A1 1-#0	28B1 1-#0	32A1 1-4/0	36-01 36A1 1-#4/0		
RATING	E	B	E	B	C		

2 CONTACTS

CONTACTS	10SL-4‡ 2-#16	12S-3† 2-#16	14S-9‡ 2-#16	16S-4† 2-#16	16-11† 16A11* 2-#12	16-13† 2-#12 Thermocouple
RATING	A	A	A	D	A	A
			For new MIL equip. design, use 12S-3			

† = Military designation per MIL-STD-1651.

‡ = Military designation inactive for new design.

* = VG95234

INSERT CONFIGURATIONS BY NUMBER OF CONTACTS

FACE VIEW OF PIN INSERTS SHOWN APPROXIMATELY 3/4 ACTUAL SIZE

2 CONTACTS (CONT.)

CONTACTS	18-3† 2-#12	18-14† 1-#4 (A) 1-#16 (B)	20-5‡ 2-#16	20-12‡ 1-#16 (A) 1-#4 (B)	20-23‡ 2-#8
RATING	D For new MIL equip. design, use 18-5	A	E	A For new MIL equip. design, use 18-14	A For new MIL equip. design, use 20-22
CONTACTS	22-1† 2-#8	22-3‡ 1-#16 (A) 1-#4 (B)	22-8‡ 2-#12	22-11† 2-#16	24-1‡ 1-#12 (A) 1-#0 (B)
RATING	D For new MIL equip. design, use 22-2	D	E For new MIL equip. design, use 22-9	B	D
CONTACTS	24-9‡ 2-#4	28-7‡ 2-#4	32-5‡ 2-#0	40S2 2-#4/0	
RATING	A For new MIL equip. design, use 24-12	D For new MIL equip. design, use 28-5	D For new MIL equip. design, use 32-1	A	

4C

† = Military designation per MIL-STD-1651.

‡ = Military designation inactive for new design.

★ = VG95234

MIL-DTL-5015

INSERT CONFIGURATIONS BY NUMBER OF CONTACTS

FACE VIEW OF PIN INSERTS SHOWN APPROXIMATELY 3/4 ACTUAL SIZE

	3 CONTACTS						
CONTACTS	3-#16	14S-1‡ 14S-7† 3-#16	3-#16	3-#16	2-#16 (A, B) 1-#8 (C)	3-#12	1-#16 (A) 2-#12 (B, C)
RATING	A	A	A For new MIL equip. design, use 14S-7	A For new MIL equip. design, use 14S-7	A	A	D
CONTACTS	3-#12	3-#16	3-#12	3-#16	3-#8	3-#12	
RATING	A	D For new MIL equip. design, use 18-4	D For new MIL equip. design, use 20-4	D For new MIL equip. design, use 18-4	A For new MIL equip. design, use 20-22	A	
CONTACTS	3-#8	1-#16 (B) 2-#8 (A, C)	3-#12	2-#16 (B, C) 1-#0 (A)	2-#16 (B, C) 1-#0 (A)	3-#8	
RATING	D	D For new MIL equip. design, use 22-12	E	A	A	D	
CONTACTS	2-#12 (B, C) 1-#0 (A)	3-#8	3-#4	3-#4	3-#0		
RATING	A	E	D For new MIL equip. design, use 28-22	B	D (A); A (balance) For new MIL equip. design, use 36-3		

† = Military designation per MIL-STD-1651.

‡ = Military designation inactive for new design.

★ = VG95234

INSERT CONFIGURATIONS BY NUMBER OF CONTACTS

FACE VIEW OF PIN INSERTS SHOWN APPROXIMATELY 3/4 ACTUAL SIZE

	4 CONTACTS						
CONTACTS	12SA10 12S-2002-10 4-#16	14S-2† 4-#16	16-9† 2-#16 (B, D) 2-#12 (A, C)	18-4† 4-#16	18-10‡ 4-#12	18-13† 3-#12 (B, C, D) 1-#8 (A)	
RATING	A	INST.	A	D	A For new MIL equip. design, use 18-11	A	
CONTACTS	18-15† 4-#12 Thermocouple	20-4† 4-#12	20-10† 4-#16	20-13† 4-#16	20-20‡ 3-#12 (B, C, D) 1-#4 (A)	20-24‡ 2-#16 (A, C) 2-#8 (B, D)	22-4‡ 2-#12 (A, C) 2-#8 (B, D)
RATING	A	D	A	A	A	A	A For new MIL equip. design, use 20-14
CONTACTS	22-10† 4-#16	22-22† 22B22★ 4-#8	24-4† 3-#16 (B, C, D) 1-#0 (A)	24-22† 4-#8	32-17† 4-#4		
RATING	E	A	A	D	D		
CONTACTS	36-5† 4-#0	36-51 2-#4 (C, D) 2-#0 (A, B)	40B4 4-#0	40-57 4-#0			
RATING	A	D	E	E			

† = Military designation per MIL-STD-1651.

‡ = Military designation inactive for new design.

★ = VG95234

MIL-DTL-5015

INSERT CONFIGURATIONS BY NUMBER OF CONTACTS

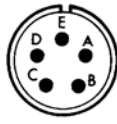
FACE VIEW OF PIN INSERTS SHOWN APPROXIMATELY 3/4 ACTUAL SIZE

5 CONTACTS



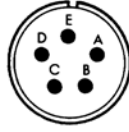
14S-5†

5-#16



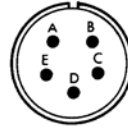
16S-8‡

5-#16



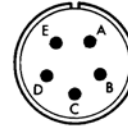
18-11†

5-#12



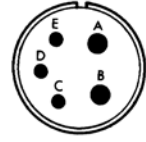
18-20‡

5-#16



18-29‡

5-#16



20-14†

3-#12 (C, D, E)
2-#8 (A, B)

CONTACTS

RATING

INST.

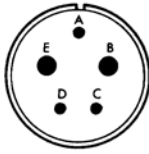
A

A

A
For new MIL equip.
design, use 16S-8

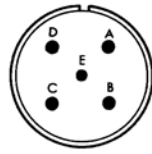
A
For new MIL equip.
design, use 16S-8

A



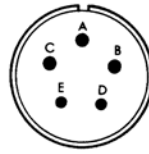
22-12†

3-#16 (A, C, D)
2-#8 (B, E)



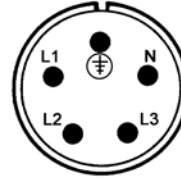
22-13‡

1-#16 (E)
4-#12 (A-D)



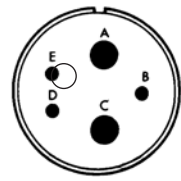
22-34‡

2-#16 (D, E)
3-#12 (A, B, C)



24-G5

5-#8
Top pin is grounded



24-12†

3-#12 (B, D, E)
2-#4 (A, C)

CONTACTS

RATING

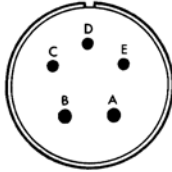
D

A (A, D); D (E)
For new MIL equip.
design, use 22-15

D

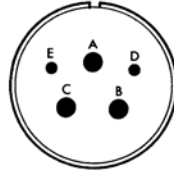
A

A



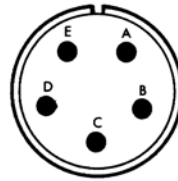
24-17‡

3-#16 (C, D, E)
2-#12 (A, B)



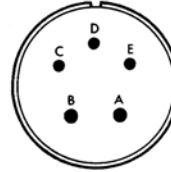
24-23‡

2-#16 (D, E)
3-#8 (A, B, C)



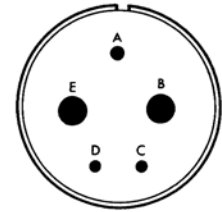
24-79

5-#8



24-620

3-#16 (C, D, E)
2-#12 (A, B)



28-5†

2-#16 (C, D)
1-#12 (A)
2-#4 (B, E)

CONTACTS

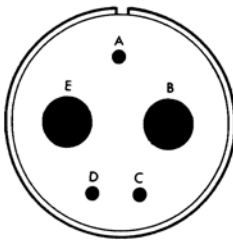
RATING

D
For new MIL equip.
design, use 22-5

D

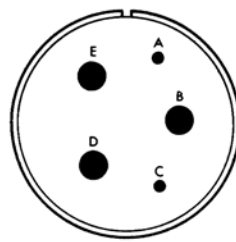
A

D



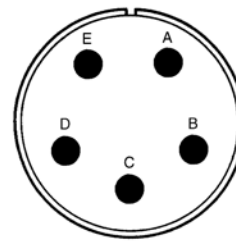
32-1†

3-#12 (A, C, D)
2-#0 (B, E)



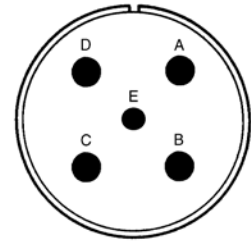
32-2†

2-#16 (A, C)
3-#4 (B, D, E)



32-63†

5-#4



32-79

1-#8 (E)
4-#4 (A-D)

CONTACTS

RATING

E (A); D (balance)

E

D

D

† = Military designation per MIL-STD-1651.

‡ = Military designation inactive for new design.

★ = VG95234

INSERT CONFIGURATIONS BY NUMBER OF CONTACTS

FACE VIEW OF PIN INSERTS SHOWN APPROXIMATELY 3/4 ACTUAL SIZE

5 CONTACTS (CONT.)

	36-2†	40A3	40A5	40B5
CONTACTS	2-#12 (A, C) 3-#0 (B, D, E)	2-#12 (A,D) 3-#0 (N,R,S)	1-#12 (E) 1-#4 (D) 3-#0 (A, B, C)	5-#0 (S, V)
RATING	D For new MIL equip. design, use 36-3	E	D	D

6 CONTACTS

	14S-6†	18A6 18-06	18-12†	20-8†	20-22†	20-17†
CONTACTS	6-#16	2-#16 (E, F) 4-#12 (A-D)	6-#16	4-#16 (B, C, E, F) 2-#8 (A, D)	3-#16 (B, D, F) 3-#8 (A, C, E)	1-#16 (F) 5-#12 (A-E)
RATING	INST.	A	A For new MIL equip. design, use 16S-1	INST.	A	A
	22-5†	22-15†	22-24†	24A-6	24-06 24C06	
CONTACTS	4-#16 (A,C,D,F) 2-#12 (B,E)	1-#16 (D) 5-#12 (A, B, C, E, F)	4-#16 (A, C, D, E) 2-#12 (B, F)	2-#8 (F, C) 4-#12 (A, B, E, D)	2-#16 (E, F) 4-#8 (A, B, C, D)	
RATING	A (A, B, C, E, F)	A (A, B, C, E, F) E (D)	A (A, B, F); D (C, D, E) For new MIL equip. design, use 22-5	D	D	

4C

† = Military designation per MIL-STD-1651.

‡ = Military designation inactive for new design.

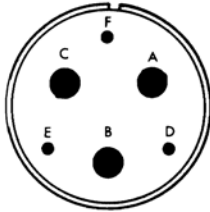
★ = VG95234

MIL-DTL-5015

INSERT CONFIGURATIONS BY NUMBER OF CONTACTS

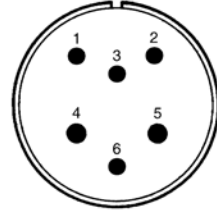
FACE VIEW OF PIN INSERTS SHOWN APPROXIMATELY 3/4 ACTUAL SIZE

6 CONTACTS (CONT.)



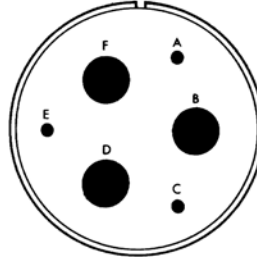
28-22†

CONTACTS
3-#16 (D, E, F)
3-#4 (A, B, C)



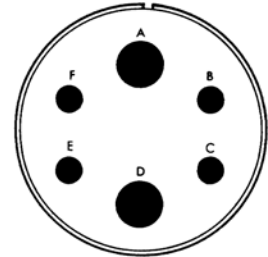
28-82‡

CONTACTS
4-#12 (1, 2, 3, 6)
2-#8 (4, 5)



36-3†

CONTACTS
3-#12 (A, C, E)
3-#0 (B, D, F)



36-6†

CONTACTS
4-#4 (B, C, E, F)
2-#0 (A, D)

CONTACTS

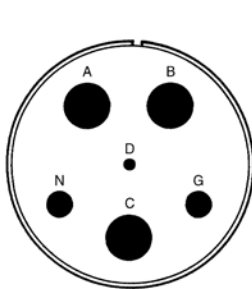
RATING

D

D

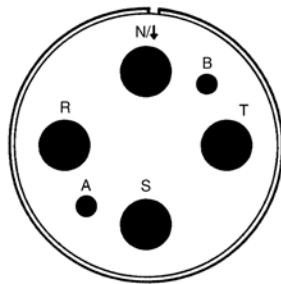
D

A



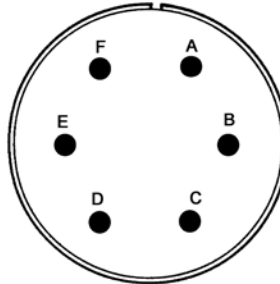
36A51

CONTACTS
1-#16 (D)
2-#4 (G, N)
3-#0 (A, B, C)



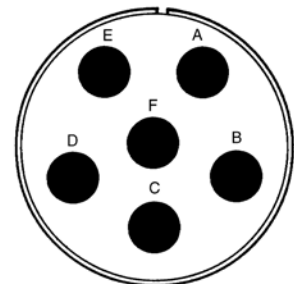
40A4

CONTACTS
2-#12 (A, B)
4-#0 (N, R, S, T)



40A6

CONTACTS
6-#12



40-60

CONTACTS
6-#0

CONTACTS

RATING

D

A

B

A

7 CONTACTS



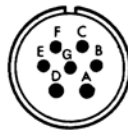
14SA7
14S-07

CONTACTS
7-#16



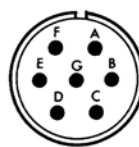
16S-1†

CONTACTS
7-#16



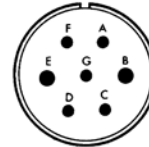
18-9‡

CONTACTS
5-#16 (B, C, E, F, G)
2-#12 (A, D)



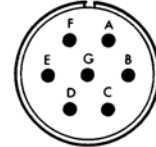
20-15‡

CONTACTS
7-#12



22-26‡

CONTACTS
5-#16 (A, C, D, F, G)
2-#12 (B, E)



22-28‡

CONTACTS
7-#12

CONTACTS

RATING

INST.

A

INST.

A

A
For new MIL equip.
design, use 22-33

† = Military designation per MIL-STD-1651.

‡ = Military designation inactive for new design.

★ = VG95234

INSERT CONFIGURATIONS BY NUMBER OF CONTACTS

FACE VIEW OF PIN INSERTS SHOWN APPROXIMATELY 3/4 ACTUAL SIZE

7 CONTACTS (CONT.)

CONTACTS	22-29† 6-#16 (A, B, C, D, E, F) 1-#4 (G)	22-33‡ 7-#16	24-2† 7-#12	24-3‡ 5-#16 (A, C-F) 2-#12 (B, G)	24A7 24-07 7-#12
RATING	A	A (E-G); D (A-D)	D	D For new MIL equip. design, use 24-20	D
CONTACTS	24-10† 7-#8	24-16† 3-#16 (A, B, F) 3-#12 (C, D, E) 1-#8 (G)	24-27† 7-#16	24-66 7-#12	28-10† 3-#12 (A, F, G) 2-#8 (B, E) 2-#4 (C, D)
RATING	A	A (C-E); D (A, B, F, G)	E	A	D (G); A (balance)
CONTACTS	32-10‡ 3-#16 (A, F, G) 2-#8 (B, E) 2-#4 (C, D)	32-14 5-#12 (B, D, E, F, H) 2-#4 (G, J)	40-87 7-#4		
RATING	A (C, D); B (G) D (B, E); E (A, F)	D	D		

† = Military designation per MIL-STD-1651.

‡ = Military designation inactive for new design.

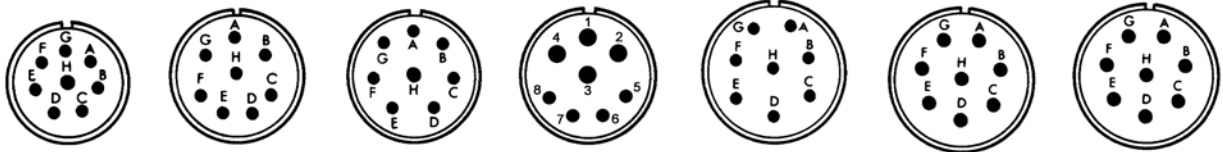
* = VG95234

MIL-DTL-5015

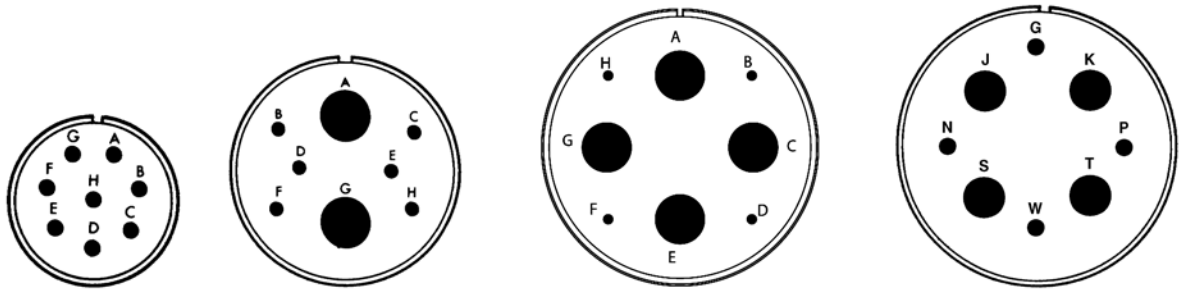
INSERT CONFIGURATIONS BY NUMBER OF CONTACTS

FACE VIEW OF PIN INSERTS SHOWN APPROXIMATELY 3/4 ACTUAL SIZE

8 CONTACTS



	18-8†	20-7†	20-9†	20-B8	22-18†	22-23†	22-36†
CONTACTS	7-#16 (A-G) 1-#12 (H)	8-#16	7-#16 (A-G) 1-#12 (H)	4-#16 (5-8) 4-#12 (1-4)	8-#16	8-#12	8-#12 Thermocouple
RATING	A	A (C-F) D (A, B, G, H)	A (A-G); D (H)	A	A (C-E) D (balance)	D (H); A (balance)	A (A-G); D (H)



	24-6†	32-15†	40A8	40A10
CONTACTS	8-#12	6-#12 (B, F, H) 2-#0 (A, G)	4-#16 (B, D, F, H) 4-#0 (A, C, E, G)	4-#16 (G, N, P, W) 4-#4 (J, K, S, T)
RATING	D (A, G, H) A (balance)	D	E	D

9 CONTACTS



	20A9	20-16†	20-18†	20-21†	22-16†	22-17†
CONTACTS	9-#12	7-#16 (A-G) 2-#12 (H, I)	6-#16 (A, C, D, E, G, H) 3-#12 (B, F, I)	8-#16 (A-H) 1-#12 (I)	6-#16 (A, B, F-J) 3-#12 (C, D, E)	8-#16 (A-D, F-J) 1-#12 (E)
RATING	D (J) A (balance)	A	A	A	A For new MIL equip. design, use 20-18	D (A); A (balance)

† = Military designation per MIL-STD-1651.

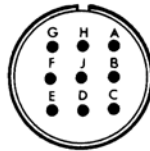
‡ = Military designation inactive for new design.

★ = VG95234

INSERT CONFIGURATIONS BY NUMBER OF CONTACTS

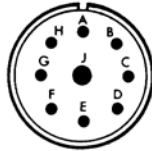
FACE VIEW OF PIN INSERTS SHOWN APPROXIMATELY 3/4 ACTUAL SIZE

9 CONTACTS (CONT.)



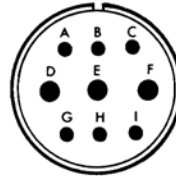
22-20†

9-#16



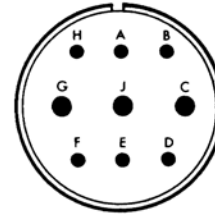
22-27†

8-#16 (A-H)
1-#8 (J)



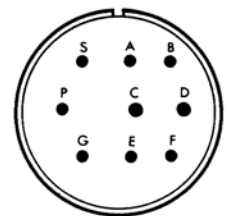
24-11†

6-#12 (A-C, G-I)
3-#8 (D, E, F)



28-1†

6-#12 (A, B, D, E, F, H)
3-#8 (C, J, G)



28-4†

7-#16 (A, B, E, F, G, P, S)
2-#12 (C, D)

CONTACTS

RATING

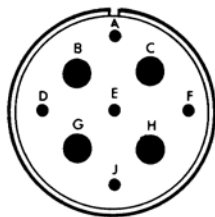
A
For new MIL equip.
design, use 20-33

D (J); A (balance)

A

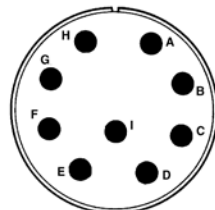
D (A, E, J)
A (balance)

E (G, P, S)
D (balance)



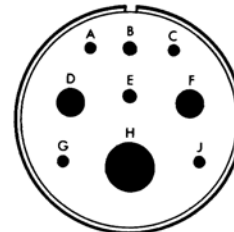
28A9
28-09

5-#16 (A,D,E,F,J)
4-#4 (B,C,G,H)



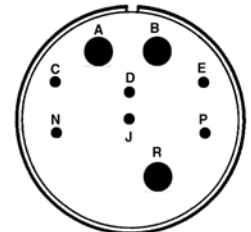
28-84

9-#8



32-3†

4-#16 (A, C, G, J)
2-#12 (B, E)
2-#4 (D, F), 1-#0 (H)



32-689

6-#16 (C,D,E,J,N,P)
3-#4 (A,B,R)

CONTACTS

RATING

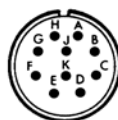
A

A

D

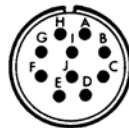
A

10 CONTACTS



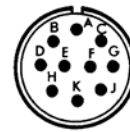
16A10

10-#18



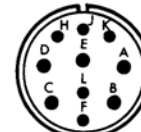
18-1†

10-#16



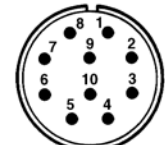
18-19†

10-#16



20-58

5-#16 (F-L)
5-#12 (A-E)



22A10

10-#16

CONTACTS

RATING

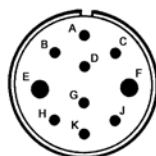
A

A (B, C, F, G)
INST. (balance)

A
For new MIL equip.
design, use 18-1

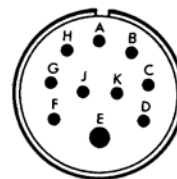
A

A



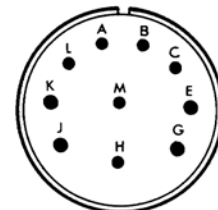
22-82

8-#16 (A-D,G-K)
2-#8 (E,F)



24-21†

9-#16 (A-D, F-K)
1-#8 (E)



28-19 †

6-#16 (A, B, C, H, L, M)
4-#12 (E, G, J, K)

CONTACTS

RATING

A

D

A (C, E, G, J, K, L)
B (H, M); D (A, B)

† = Military designation per MIL-STD-1651.

‡ = Military designation inactive for new design.

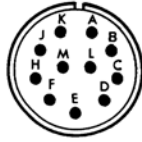
* = VG95234

MIL-DTL-5015

INSERT CONFIGURATIONS BY NUMBER OF CONTACTS

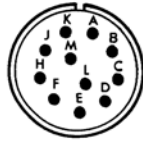
FACE VIEW OF PIN INSERTS SHOWN APPROXIMATELY 3/4 ACTUAL SIZE

11 CONTACTS



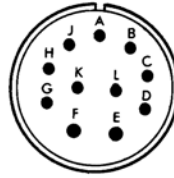
20-31†

11-#16



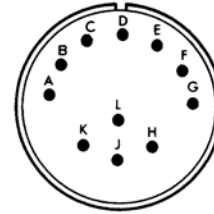
20-33†

11-#16



24-20†

9-#16 (A-D, G-L)
2-#12 (E, F)



28-14‡

11-#16

CONTACTS

RATING

A

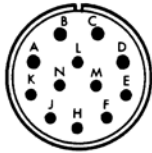
A

D

For new MIL equip.
design, use 28-2

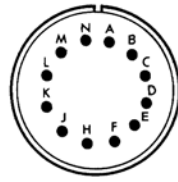
D

12 CONTACTS



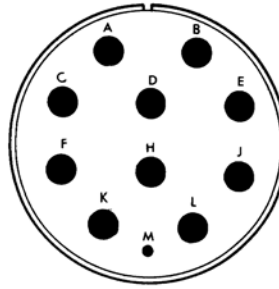
22-63

8-#16 (E-L)
4-#12 (A-D)



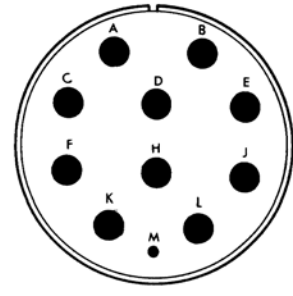
24-19‡

12-#16



40-67

1-#16 (M)
10-#4 (A-L)



40-80

1-#16 (M)
10-#4 (A-L)

CONTACTS

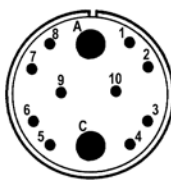
RATING

A

A

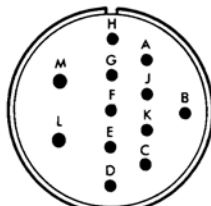
A

A



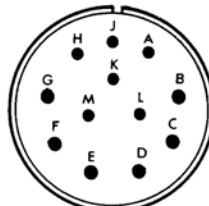
24S12

10-#16 (1-10)
2-#4 (A, C)



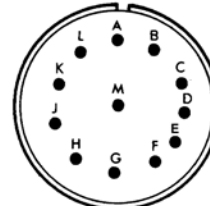
28-8†

10-#16 (A-K)
2-#12 (L, M)



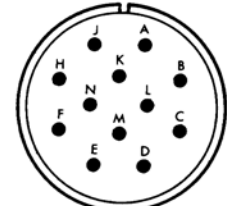
28-9†

6-#16 (A, H, M)
6-#12 (B-G)



28-18†

12-#16



28-51

12-#12

CONTACTS

RATING

A

D (B); E (L, M)
A (balance)

D

A (A, B); C (M)
D (G, L); INST. (C-F)

D

† = Military designation per MIL-STD-1651.

‡ = Military designation inactive for new design.

★ = VG95234



INSERT CONFIGURATIONS BY NUMBER OF CONTACTS

FACE VIEW OF PIN INSERTS SHOWN APPROXIMATELY 3/4 ACTUAL SIZE

13 CONTACTS

CONTACTS 13-#16	CONTACTS 5-#16 (K-P) 8-#12 (A-J)	CONTACTS 7-#16 (1-6, 13) 6-#12 (7-12)	CONTACTS 7-#16 (H-P) 3-#12 (D, E, F); 3-#8 (A, B, C)	CONTACTS 13-#12
RATING INST.		RATING A		RATING D

14 CONTACTS

CONTACTS 14-#16	CONTACTS 14-#16	CONTACTS 12-#16 (1-12) 2-#4 (A, C)	CONTACTS 7-#16 (J-R) 7-#12 (A-H)	CONTACTS 12-#16 (A, L, N) 2-#12 (M, P)	CONTACTS 4-#16 (K-N) 10-#12 (A-J, P)
RATING A	RATING A	RATING A	RATING A	RATING D	RATING A

CONTACTS 12-#16 (A-F, J-O) 2-#12 (G, H)	CONTACTS 12-#16 (C-N) 2-#4 (A, B)	CONTACTS 2-#16 (11, 13) 10-#8 (1-10, 12, 14,)	CONTACTS 4-#16 (11-14) 10-#8 (1-10)
RATING A (F, J, K, N, D (balance)	RATING D For new MIL equip. design, use 28-2	RATING D	RATING D

† = Military designation per MIL-STD-1651.

‡ = Military designation inactive for new design.

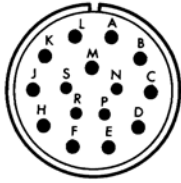
★ = VG95234

MIL-DTL-5015

INSERT CONFIGURATIONS BY NUMBER OF CONTACTS

FACE VIEW OF PIN INSERTS SHOWN APPROXIMATELY 3/4 ACTUAL SIZE

15 CONTACTS



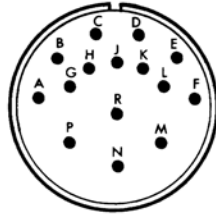
24-65

4-#16 (N-S)
11-#12 (A-M)

CONTACTS

RATING

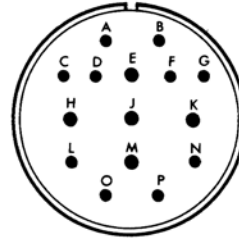
A



28-17†

15-#16

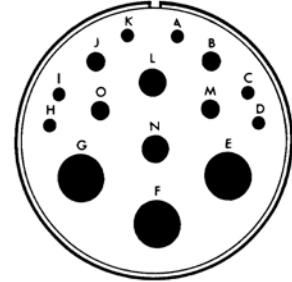
A (A-L); B (R)
D (M-P)



32-12‡

10-#16 (A-D, F, G, L, N-P)
5-#12 (E, H, J, K, M)

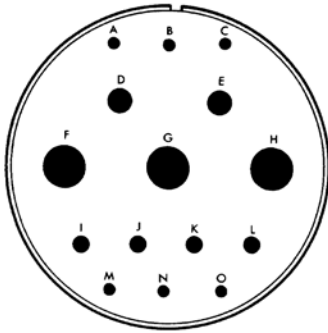
A (C-G); D (balance)
For new MIL equip.
design, use 32-13



40-5†

6-#12 (C, D, H, I, K)
4-#8 (B, J, M, O)
2-#4 (L, N), 3-#0 (E, F, G)

D



48-1†

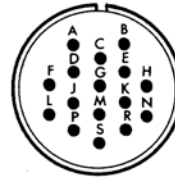
6-#12 (A-C, M-O)
4-#8 (I-L), 2-#4 (D,E)
3-#0 (F-H)

CONTACTS

RATING

E (B, N); D (balance)

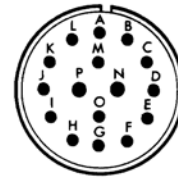
16 CONTACTS



24-5‡

16-#16

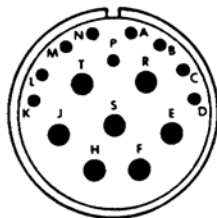
A
For new MIL equip.
design, use 22-14



24-7†

14-#16 (A-M, O)
2-#12 (N-P)

A



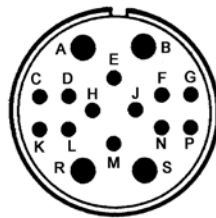
28-79

9-#16 (A-D, K-P)
7-#8 (J, R, S, T)

CONTACTS

RATING

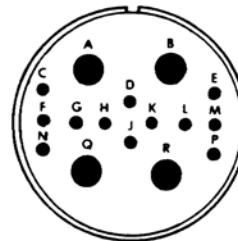
A



28-124

12-#16 (C-P)
4-#8 (A, B, R, S)

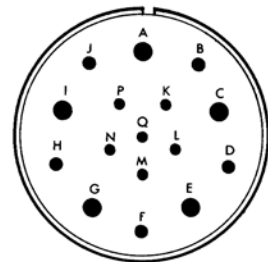
A



32-68

12-#16 (C-P)
4-#4 (A, B, Q, R)

A



36-14 ‡

6-#16 (K-Q)
5-#12 (B, D, F, H, J)
5-#8 (A, C, E, G, I)

D

† = Military designation per MIL-STD-1651.

‡ = Military designation inactive for new design.

★ = VG95234

INSERT CONFIGURATIONS BY NUMBER OF CONTACTS

FACE VIEW OF PIN INSERTS SHOWN APPROXIMATELY 3/4 ACTUAL SIZE

17 CONTACTS

CONTACTS	20-29† 17-#16	28-59 10-#16 (J-U) 7-#12 (A-H)	36-13‡ 15-#16 (A-K, N-S) 2-#12 (L, M)	36-19‡ 10-#16 (H-Q) 5-#12 (B-D, F, G) 1-#4 (A), 1-#0 (E)
RATING	A	A	E (N-Q); A (balance)	D

19 CONTACTS

CONTACTS	20A48 19-#16	22-14‡ 19-#16	24-67 19-#12	32-76 19-#12	40B19 19-#8
RATING	I	A	A	A	A

20 CONTACTS

21 CONTACTS

22 CONTACTS

CONTACTS	28-16‡ 20-#16	40-68 21-#8	28-11† 18-#16 (A-I, N-X) 4-#12 (J-M)	32B22 20-#16 (1-10, 13-22) 2-#4 (11, 12)
RATING	A For new MIL equip. design, use 28-12	A	A	A

† = Military designation per MIL-STD-1651.

‡ = Military designation inactive for new design.

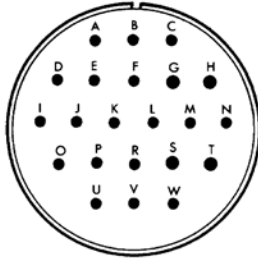
★ = VG95234

MIL-DTL-5015

INSERT CONFIGURATIONS BY NUMBER OF CONTACTS

FACE VIEW OF PIN INSERTS SHOWN APPROXIMATELY 3/4 ACTUAL SIZE

22 CONTACTS (CONT.)



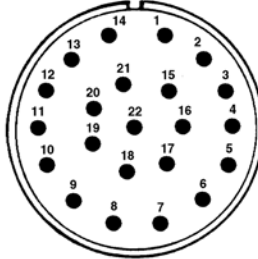
36-1‡

18-#16 (A-F, I-R, U-W)
4-#12 (G, H, S, T)

CONTACTS

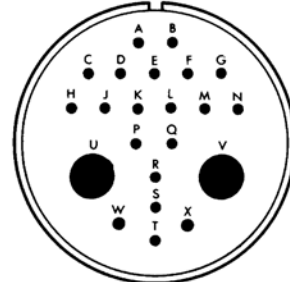
RATING

D
For new MIL equip.
design, use 32-13



36-22
36A22
22-#12

D

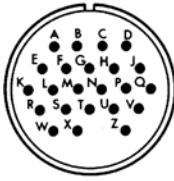


40-7†

18-#16 (A-T), 2-#12 (W, X)
2-#0 (U, V)

A (P, Q, U-X); D (balance)

23 CONTACTS



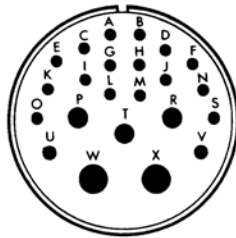
24-80†

23-#16

CONTACTS

RATING

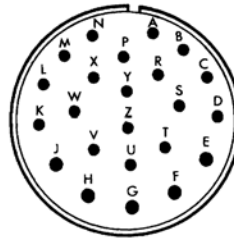
INST.



32-6†

16-#16 (A-O, S) 2-#12 (U, V)
3-#8 (P-T), 2-#4 (W, X)

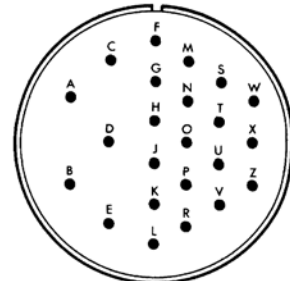
A



32-13†

18-#16 (A-D, K-Z)
5-#12 (E-J)

D

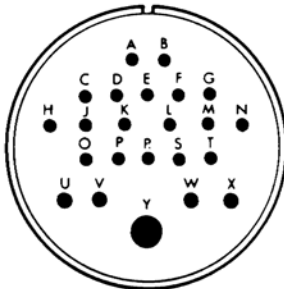


40-2†

23-#16

B (A-E); D (balance)

24 CONTACTS



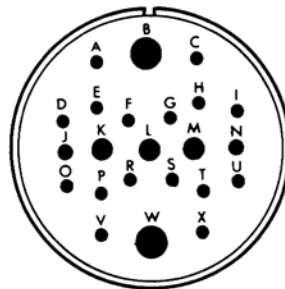
40-3†

18-#16 (A-T)
4-#12 (U-X); 1-#4 (Y)

CONTACTS

RATING

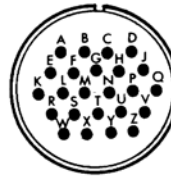
D



40-4†

16-#16 (A, C-I, O-V, X)
2-#12 (J, N);
3-#8 (K, L, M); 2-#4 (B, W)

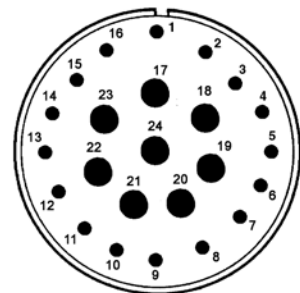
D



24-28†

24-#16

INST.



40-A24

16-#12 (1-16)
8-#8 (17-24)

D

† = Military designation per MIL-STD-1651.

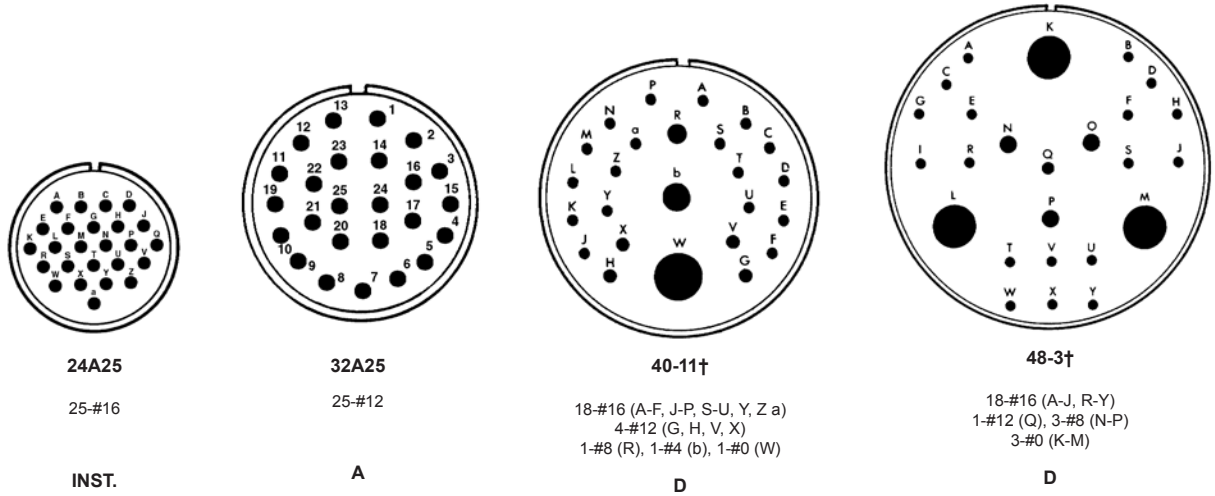
‡ = Military designation inactive for new design.

★ = VG95234

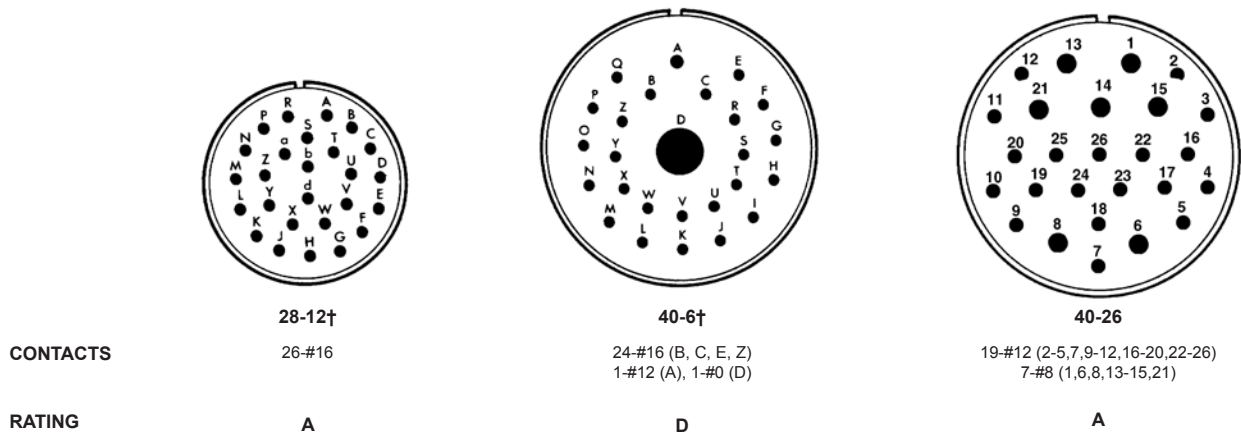
INSERT CONFIGURATIONS BY NUMBER OF CONTACTS

FACE VIEW OF PIN INSERTS SHOWN APPROXIMATELY 3/4 ACTUAL SIZE

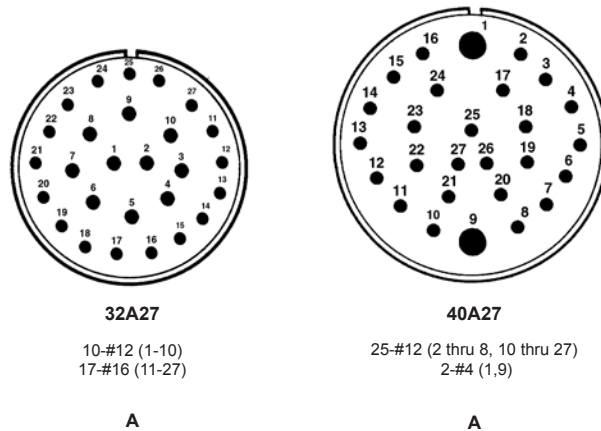
25 CONTACTS



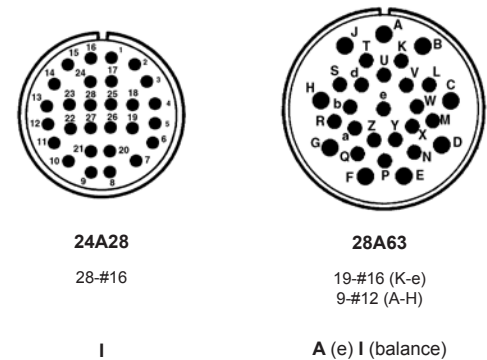
26 CONTACTS



27 CONTACTS



28 CONTACTS



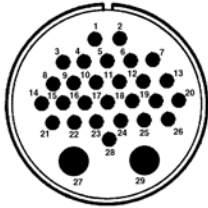
† = Military designation per MIL-STD-1651. ‡ = Military designation inactive for new design. ★ = VG95234

MIL-DTL-5015

INSERT CONFIGURATIONS BY NUMBER OF CONTACTS

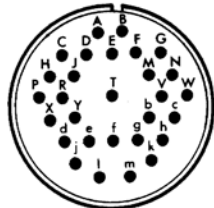
FACE VIEW OF PIN INSERTS SHOWN APPROXIMATELY 3/4 ACTUAL SIZE

29 CONTACTS



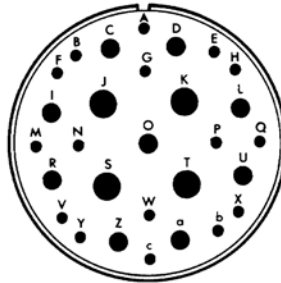
28A29

27-#16 (1-26,28)
2-#8 (27,29)



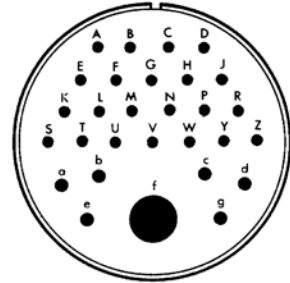
28A55

29-#16



40-10†

16-#16 (A, B, E-H, M, N, P, Q, V-Y, b, c)
9-#8 (C, D, I, L, O, R, U, z, a)
4-#4 (J, K, S, T)



40-12‡

22-#16 (A-Z)
6-#12 (a-e, g), 1-#0 (f)

CONTACTS

RATING

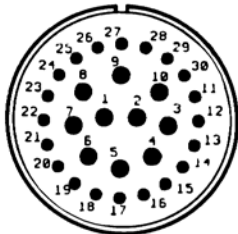
A

A

A

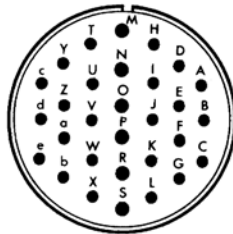
D

30 CONTACTS



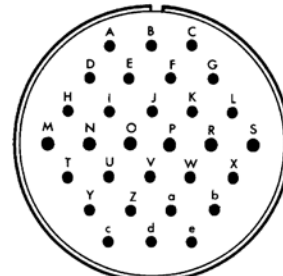
32A30

20-#16 (11-30)
10-#12 (1-10)



32-8†

24-#16 (A-L, T-Z, a-e)
6-#12 (M-S)



40-1†

24-#16 (A-L, T-e)
6-#12 (M-S)

CONTACTS

RATING

A

A

D

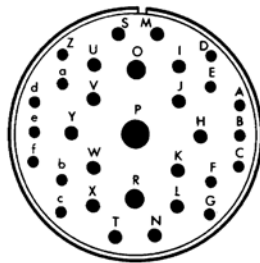
For new MIL equip.
design, use 32-7

31 CONTACTS



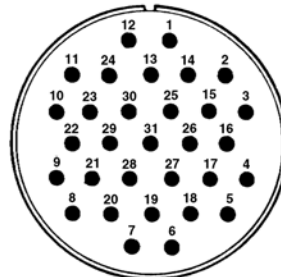
32-31

31-#16



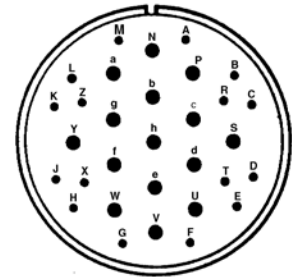
36-9†

14-#16 (A-G, Z-f)
14-#12 (H-N, S-Y)
2-#8 (O, R), 1-#4 (P)



40-31

31-#12



40A51

16-#16 (A-M,R,T,X,Z)
15-#8 (N,P,S,U-W,Y,a-h)

CONTACTS

RATING

A

A

D

A

† = Military designation per MIL-STD-1651.

‡ = Military designation inactive for new design.

★ = VG95234

INSERT CONFIGURATIONS BY NUMBER OF CONTACTS

FACE VIEW OF PIN INSERTS SHOWN APPROXIMATELY 3/4 ACTUAL SIZE

	31 CONTACTS (CONT.)		32 CONTACTS	34 CONTACTS
CONTACTS	44-2† 14-#16 (A-G, Z-f) 14-#12 (H-N,S-Y) 2-#8 (O,R), 1-#4 (P)	44-3† 24-#16 (A-H, P-e) 3-#12 (I, J, K) 2-#8 (N, O), 2-#4 (L, M)	40-14‡ 21-#16 (A-D, L-U, Y-d, g, h, j) 10-#12 (E-K, V, X, e, f) 1-#0 (W)	36-20‡ 30-#16 (A-g) 2-#12 (h-j) 2-#8 (k, m)
RATING	D	D	D	A

	35 CONTACTS				
CONTACTS	28-15† 35-#16	28A35 35-#16	32-7† 28-#16 (A-N, W-Z, a-k) 7-#12 (O-V)	36-15† 35-#16	40-35 35-#12
RATING	A For new MIL equip. design, use 28-21	A	INST. (A,B,h,j) A (balance)	D (m); A (balance)	D

	36 CONTACTS	37 CONTACTS		
CONTACTS	36-35 4-#8 (d, f, X, Z) 32-#16 (A-W,Y,a,b,c,e,g-n)	22A37 37-#18	28-21† 37-#16	48-53 37-#12
RATING	A	A	A	D

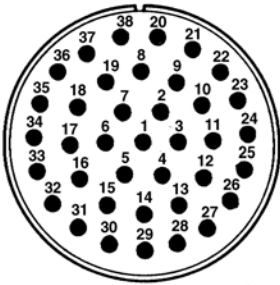
† = Military designation per MIL-STD-1651. ‡ = Military designation inactive for new design. * = VG95234

MIL-DTL-5015

INSERT CONFIGURATIONS BY NUMBER OF CONTACTS

FACE VIEW OF PIN INSERTS SHOWN APPROXIMATELY 3/4 ACTUAL SIZE

38 CONTACTS

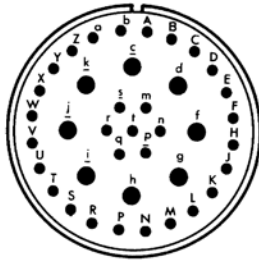


40A38

CONTACTS 38-#12

RATING A

39 CONTACTS

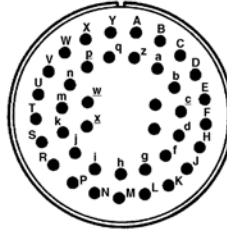


36-54

31-#16 (A-b, m-t)
8-#8 (c-k)

A

40 CONTACTS

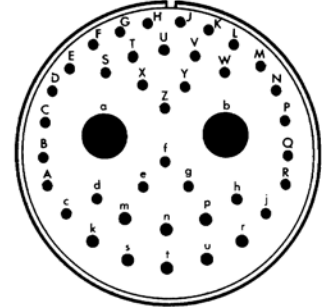


32A40

40-#16

A

41 CONTACTS

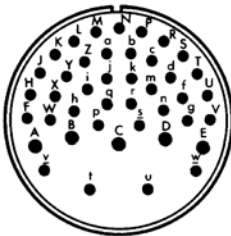


44-4†

31-#16 (A-Z, c, j)
8-#12 (k-u), 2-#0 (a, b)

D

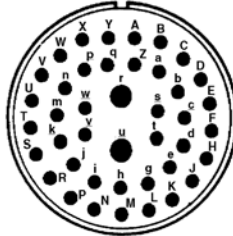
42 CONTACTS



32-53

37-#16 (F-w)
5-#12 (A-E)

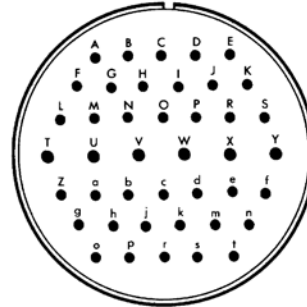
CONTACTS
RATING E (t,u); INST. (balance)



32-59

2-#8 (r, u)
40-#16 (balance)

A

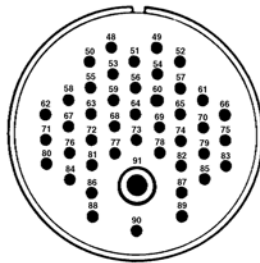


44-1†

36-#16 (A-S, Z-t)
6-#12 (T-Y)

D

44 CONTACTS

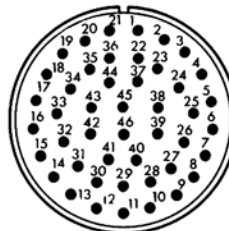


36-74

43-#16 (48-90)
1-#8

CONTACTS
RATING A

46 CONTACTS



32-73†

46-#16

A

† = Military designation per MIL-STD-1651.

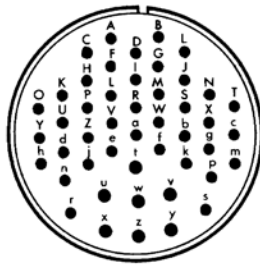
‡ = Military designation inactive for new design.

★ = VG95234

INSERT CONFIGURATIONS BY NUMBER OF CONTACTS

FACE VIEW OF PIN INSERTS SHOWN APPROXIMATELY 3/4 ACTUAL SIZE

47 CONTACTS



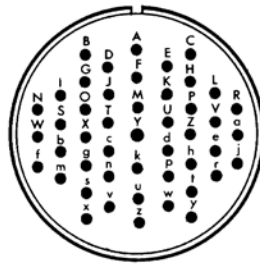
36-7†

CONTACTS

40-#16 (A-Z, a-s)
7-#12 (t-z)

RATING

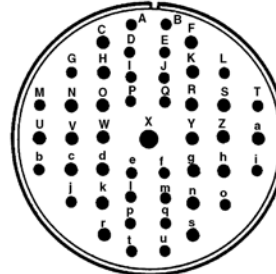
A



36-8†

46-#16 (A-X, Z-z)
1-#12 (Y)

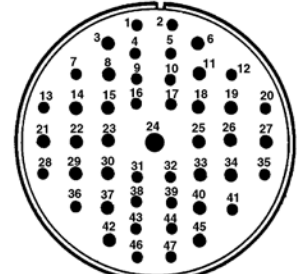
A



40-9†

24-#16 (A, B, D, E, G, I, J, L, M, P, Q, T, b, e, f, i, j, l, m, o, p, q, t, u) 22-#12 (C, F, H, K, N, O, R, S, U-W, Y, Z, a, c, d, g, h, k, n, r, s), 1-#8 (X)

A

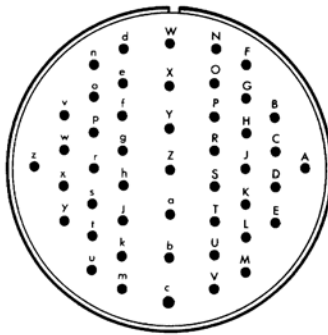


40-47

24-#16 (1,2,4,5,7,9,10,12,13,16,17,20,28, 31,32,25, 38,39,44, 43,44,46,47)
22-#12 (3,6,8,11,14,15,18,19,21,22,23,25,26, 27,29,30,33,34,37,40,42,45) 1-#8 (24)

A

48 CONTACTS



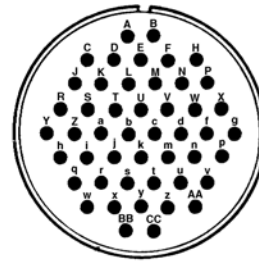
48-2†

CONTACTS

46-#16 (A-b, d-z)
1-#12 (c)

RATING

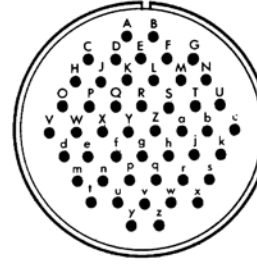
E (W-b); D (balance)



32A48

48-#16

I

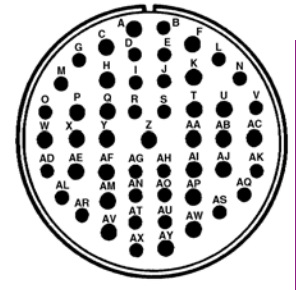


36-10†

48-#16

A

51 CONTACTS

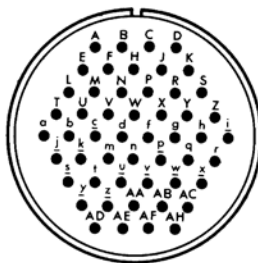


40-951 (A,P)

25-#12 (A,C,F,H,K,P,Q,T,U,W-AC, AE,AF,AI,AJ,AM,AP,AV,AW)
26-#16 (balance)

A

52 CONTACTS



36-52†

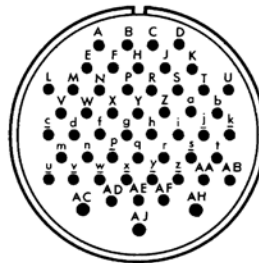
CONTACTS

52-#16

RATING

A

53 CONTACTS

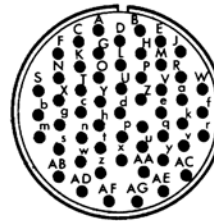


36-71

50-#16 (A-AB, AD-AF)
3-#12 (AC, AH, AJ)

A

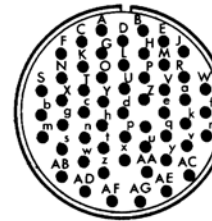
54 CONTACTS



32-22†

54-#16

A



32-64

54-#16

INST.



32-88

54-#16

A

† = Military designation per MIL-STD-1651. ‡ = Military designation inactive for new design. ★ = VG95234

MIL-DTL-5015

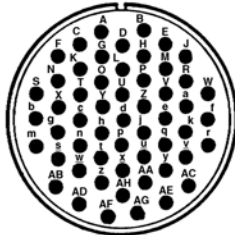
INSERT CONFIGURATIONS BY NUMBER OF CONTACTS

FACE VIEW OF PIN INSERTS SHOWN APPROXIMATELY 3/4 ACTUAL SIZE

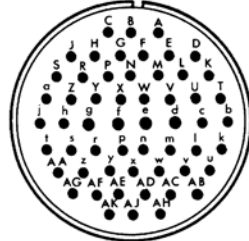
55 CONTACTS



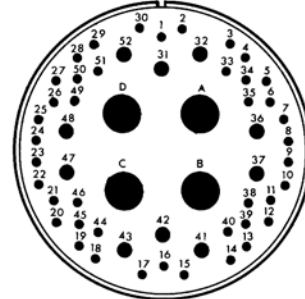
24A55



32A55



36-66†



48-57

CONTACTS

55-#20

55-#16

52-#16 (A-c, h-AH)
4-#12 (d, e, f, g)

42-#16 (1-30, 33-35, 38-40, 44-46,
49-51) 10-#8 (31, 32, 36, 37, 41-43,
47, 48, 52) 4-#0 (A-D)

RATING

A

A

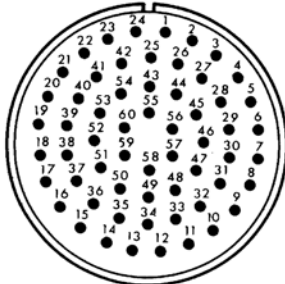
A

A

60 CONTACTS



40S27



40-53



40-62

CONTACTS

60-#16

60-#16

60-#16

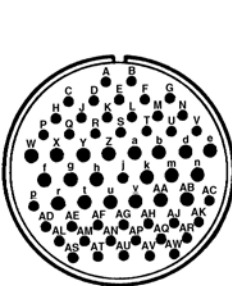
RATING

A

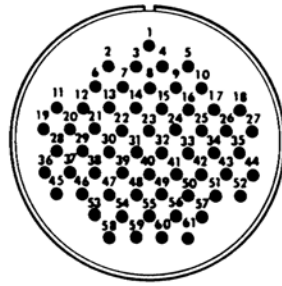
A

A

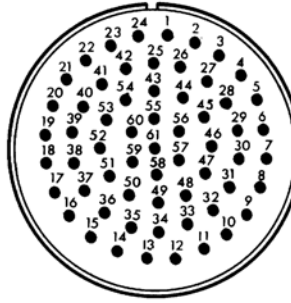
61 CONTACTS



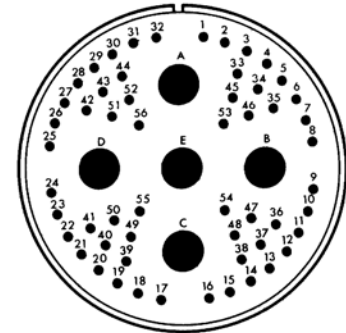
32A69★



40-70



40-63



48-52

CONTACTS

41-#18 (A-V, AC-AW, j, p)
20-#16 (W-Z, AA, AB, A-V)

61-#16

61-#16

56-#16 (1-56)
5-#0 (A-E)

RATING

A

A

A

A

† = Military designation per MIL-STD-1651.

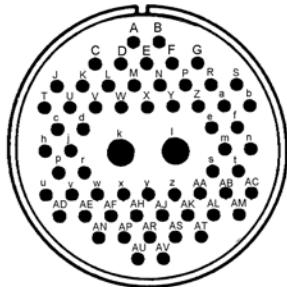
‡ = Military designation inactive for new design.

★ = VG95234

INSERT CONFIGURATIONS BY NUMBER OF CONTACTS

FACE VIEW OF PIN INSERTS SHOWN APPROXIMATELY 3/4 ACTUAL SIZE

62 CONTACTS



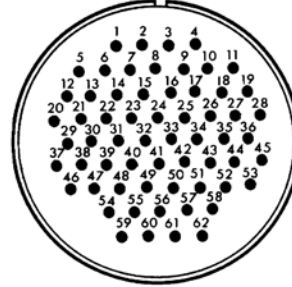
40A62

62-#16

CONTACTS

RATING

A

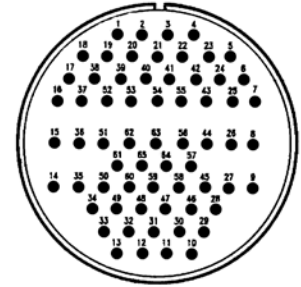


40-82

62-#16

A

65 CONTACTS

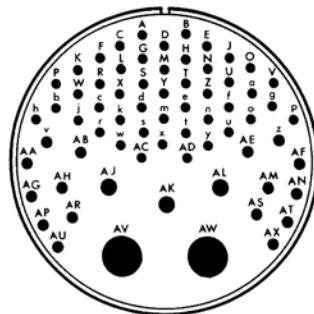


40A65

65-#16

A

68 CONTACTS



48-4†

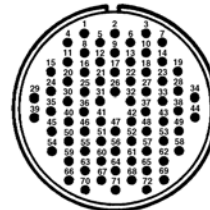
47-#16 (A-u, w, y, AC, AD)
16-#12 (v, z, AA, AB, AE-AH, AM-AU, AX)
3-#8 (AJ-AL), 2-#0 (AV, AW)

CONTACTS

RATING

D (AJ-AL, AV, AW); A (balance)

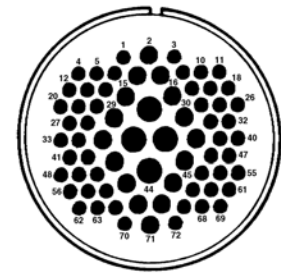
72 CONTACTS



28-72

72-#20

I

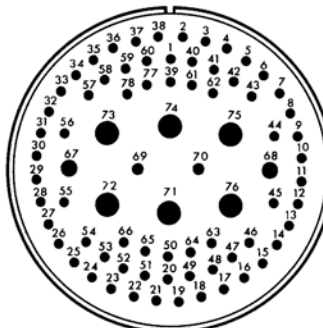


36-A72

52-#18 (balance)
16-#16 (2,7,8,15,16,29,30,35,38,43,45,51,52,65,66,71)
4-#12 (23,36,37,44)

I

78 CONTACTS



48-55

68-#16 (1-66, 77, 78)
2-#12 (69, 70); 2-#8 (67, 68)
6-#4 (71-76)

CONTACTS

RATING

A

† = Military designation per MIL-STD-1651.

‡ = Military designation inactive for new design.

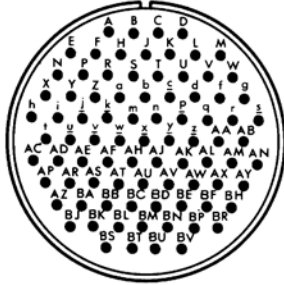
* = VG95234

MIL-DTL-5015

INSERT CONFIGURATIONS BY NUMBER OF CONTACTS

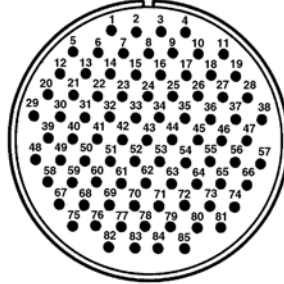
FACE VIEW OF PIN INSERTS SHOWN APPROXIMATELY 3/4 ACTUAL SIZE

85 CONTACTS



40-56†

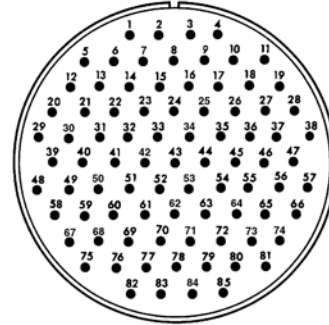
85-#16



40A56

40N56

85-#16



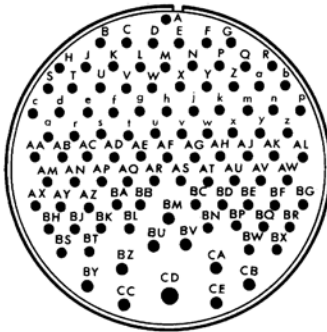
48-62†

85-#16

CONTACTS

RATING

100 CONTACTS



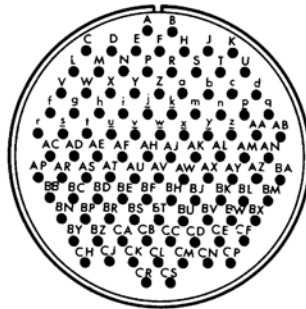
48-5‡

90-#16 (A-BL, BN-BT, BW, BX)
9-#12 (BM, BU, BV, BY-CC, CE)
1-#8 (CD)

CONTACTS

RATING

104 CONTACTS

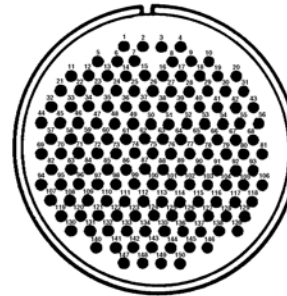


44-52†

104-#16

A

150 CONTACTS



40-150
40A150

150-#18

I

†† = Military designation per MIL-STD-1651.

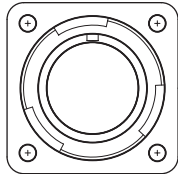
‡ = Military designation inactive for new design.

★ = VG95234

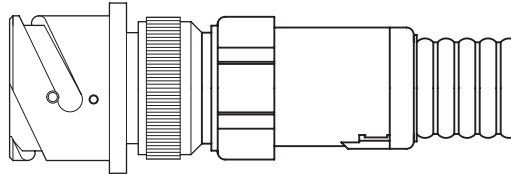
SECTION 5C

CONNECTORS FOR PLASTIC CONDUIT

FRONT VIEW

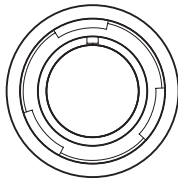


SIDE VIEW

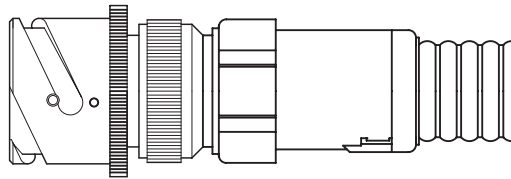


Wall Mount Receptacle SCP B00TRAC*
For Dimensions, see Page 1C-17

FRONT VIEW

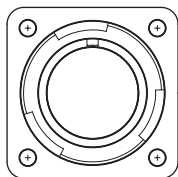


SIDE VIEW

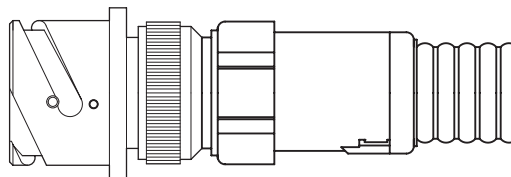


In-Line Receptacle SCP B01TRAC*
*For Dimensions, see Page 1C-31

FRONT VIEW

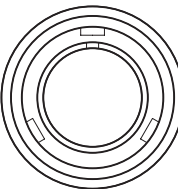


SIDE VIEW

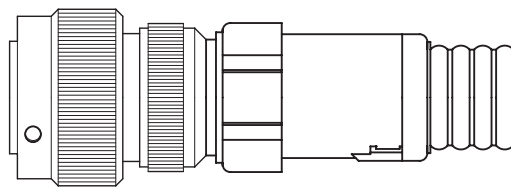


Wall Mount Receptacle, Rear Panel Mount SCP B030TRAC*
For Dimensions, see Page 1C-49

FRONT VIEW

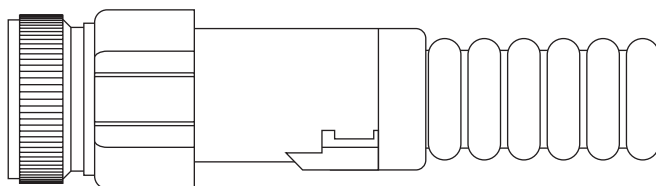


SIDE VIEW



Straight Plug SCP B06TRAC*
For Dimensions, see Page 1C-71

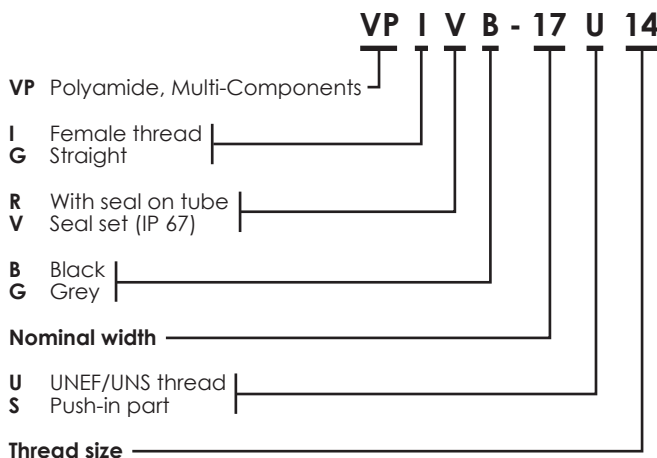
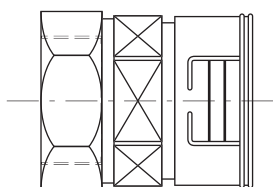
FLEXIBLE CONDUIT - PLASTIC



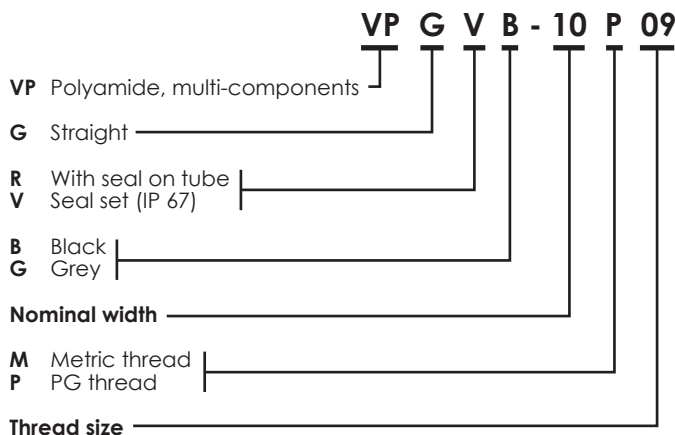
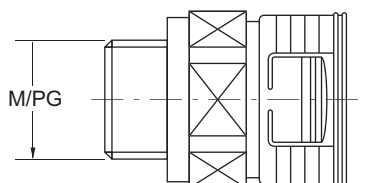
Class: TRAC for connectors supplied with one piece (no "U" clip) fittings: Ex: With UN threads. (Ex: SCPB06TRAC-28-12S(23U18)). With PG Threads (ex: SCPB06TRAC-28-12S(36P36)).

- Standard connector, fittings and conduit are black. Standard contacts supplied with connectors are gold plated crimp style. Internal wire sealing grommet is included. Other options available, consult factory.
- Fittings may be purchased individually by using the part numbers listed (next page, left column).
- Conduit may be purchased by ordering the conduit P/N listed (next page, right column).
- Conduit available in "G" (course) and in some cases "F" (fine) profile.
- Meets IP67 standards.
- Halogen free, self extinguishing, non flame spreading.
- Items that have an asterisk (*), consult factory.

UN Fitting



PG Fitting



FLEXIBLE CONDUIT - PLASTIC

PG & UNEF FITTINGS

FITTING SELECTION UNEF

SHELL SIZE	BACKSHELL THREAD	TRAC FITTING P/N FOR UNEF THREADS (IP67)	NOMINAL WIDTH	METRIC
10SL	5/8-24UNEF	VPIVB-07U05	7	10
		VPIVB-10U05*	10	12
14S	3/4-20UNEF	VPIVB-12U05	12	16
		VPIVB-10U07*	10	12
		VPIVB-12U07	12	16
16S	7/8-20UNEF	VPIVB-17U07	17	20
		VPIVB-12U09	12	16
		VPIVB-17U09*	17	20
16	7/8-20UNEF	VPIVB-12U09	12	16
		VPIVB-17U09	17	20
18	1-20UNEF	VPIVB-12U11*	12	16
		VPIVB-17U11	17	20
		VPIVB-23U11*	23	25
20	1 3/16-18UNEF	VPRIB-12U14*	12	16
		VPIVB-17U14	17	20
		VPIVB-23U14*	23	25
		VPRIB-29U14*	29	29
		VPIVB-36U14*	36	40
22	1 3/16-18UNEF	VPIVB-12U14*	12	16
		VPIVB-17U14	17	20
		VPIVB-23U14	23	25
		VPIVB-29U14*	29	29
		VPIVB-36U14*	36	40
		VPIVB-12U18*	12	16
24	1 7/16-18UNEF	VPIVB-17U18*	17	20
		VPIVB-23U18	23	25
		VPIVB-29U18*	29	29
		VPIVB-36U18*	36	40
		VPIVB-12U18*	12	16
		VPIVB-17U18*	17	20
28	1 7/16-18UNEF	VPIVB-23U18	23	25
		VPIVB-29U18*	29	29
		VPIVB-36U18*	36	40
		VPIVB-12U18*	12	16
		VPIVB-17U18*	17	20
32	1 3/4-18UNS	VPIVB-23U18	23	25
		VPIVB-29U18*	29	29
		VPIVB-36U18*	36	40
		VPIVB-17U20*	17	20
		VPIVB-23U20*	23	25
36	2-18UNS	VPIVB-29U20*	29	32
		VPIVB-36U20*	36	40
		VPIVB-23U24*	23	25
		VPIVB-29U24	29	32
40	2 1/4-16UN	VPIVB-36U24*	36	40
		VPIVB-48U24*	48	50
		VPIVB-23U25*	23	25
		VPIVB-29U25*	29	32
		VPIVB-36U25*	36	40
		VPIVB-48U25*	48	50

CONDUIT SELECTION

TRAC Transit Conduit Heavy Duty, Flame	TRAC Transit Conduit High Flexible Flame
PARFB-07G	
PARFB-10F	PARFB-10F
PARFB-12F	PARFB-12F
PARFB-10F	PARFB-10F
PARFB-12F	PARFB-12F
PARFB-17F OR 17G	PARFB-17G
PARFB-12F	PARFB-12F
PARFB-17F OR 17G	PARFB-17G
PARFB-12F	PARFB-12F
PARFB-17F OR 17G	PARFB-17G
PARFB-12F	PARFB-12F
PARFB-17F OR 17G	PARFB-17G
PARFB-23G	PARFB-23G
PARFB-12F	PARFB-212F
PARFB-17F OR 17G	PARFB-17G
PARFB-23G	PARFB-23G
PARFB-29G	PARFB-29G
PARFB-36B	PARFB-36G
PARFB-12F	PARFB-12F
PARFB-17F OR 17G	PARFB-17G
PARFB-23G	PARFB-23G
PARFB-29G	PARFB-29G
PARFB-36G	PARFB-36G
PARFB-12F	PARFB-12F
PARFB-17F OR 17G	PARFB-17G
PARFB-23G	PARFB-23G
PARFB-29G	PARFB-29G
PARFB-36G	PARFB-36G
PARFB-12F	PARFB-12F
PARFB-17F OR 17G	PARFB-17G
PARFB-23G	PARFB-23G
PARFB-29G	PARFB-29G
PARFB-36G	PARFB-36G
PARFB-12F	PARFB-12F
PARFB-17F OR 17G	PARFB-17G
PARFB-23G	PARFB-23G
PARFB-29G	PARFB-29G
PARFB-36G	PARFB-36G
PARFB-12F	PARFB-12F
PARFB-17F OR 17G	PARFB-17G
PARFB-23G	PARFB-23G
PARFB-29G	PARFB-29G
PARFB-36G	PARFB-36G
PARFB-48G	PARFB-48G
PARFB-23G	PARFB-23G
PARFB-29G	PARFB-29G
PARFB-36G	PARFB-36G
PARFB-48G	PARFB-48G

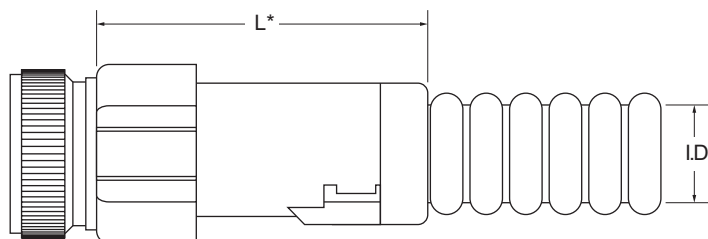
FITTING SELECTION PG

PG THREAD	TRAC FITTING P/N FOR PG THREADS (IP67)	NOMINAL WIDTH	METRIC
07	VPGVB-10P07	10	12
07	VPGVB-10P07K	10	12
09	VPGVB-10P09	10	12
09	VPGVB-10P09K	10	12
09	VPGVB12P09	12	16
11	VPGVB-10P11	10	12
11	VPGVB-10P11K	10	12
11	VPGVB-12P11	12	16
11	VPGVB-12P11K	12	16
11	VPGVB-17P11	17	20
13.5	VPGVB-10P13	10	12
13.5	VPGVB-12P13	12	16
13.5	VPGVB-17P13	17	20
16	VPGVB-17P16	17	20
16	VPGVB-17P16K	17	20
16	VPGVB-23P16	23	25
21	VPGVB-17P21	17	20
21	VPGVB-23P21	23	25
29	VPGVB-29P29	29	29
29	VPGVB-36P29	36	40
36	VPGVB-36P36	36	40
42	VPGVB-48P42	48	50
48	VPGVB-48P48	48	50

CONDUIT SELECTION

TRAC TRANSIT CONDUIT HEAVY DUTY, FLAME	TRAC TRANSIT CONDUIT HIGH FLEX, FLAME
PARFB-10F	PARFB-10F
PARFB-10F	PARFB-10F
PARFB-10F	PARFB-10F
PARFB-10F	PARFB-10F
PARFB-12F	PARFB-12F
PARFB-10F	PARFB-10F
PARFB-10F	PARFB-10F
PARFB-12F	PARFB-12F
PARFB-12F	PARFB-12F
PARFB-12F	PARFB-12F
PARFB-17F or 17G	PARFB-17G
PARFB-10F	PARFB-10F
PARFB-12F	PARFB-12F
PARFB-17F or 17G	PARFB-17G
PARFB-17F or 17G	PARFB-17G
PARFB-17F or 17G	PARFB-17G
PARFB-23G	PARFB-23G
PARFB-17F or 17G	PARFB-17G
PARFB-23G	PARFB-23G
PARFB-29G	PARFB-29G
PARFB-36B	PARFB-36G
PARFB-36B	PARFB-36G
PARFB-48G	PARFB-48G
PARFB-48G	PARFB-48G

FLEXIBLE CONDUIT - PLASTIC



Note: Dimension "L" is dependent on conduit size used with each shell size. Please consult our Customer Service Department.

- CLASS: PILAG*** Environmental, for PMA BVIRA fitting
- CLASS: PILB*** Environmental, for PMA BFILB fitting.
- CLASS: PILMG*** Environmental, for PMA BFILM fitting
- CLASS: PIVG*** Environmental, for PMA BVIVG fitting
- CLASS: PILJ*** Environmental, for PMA BFILJ fitting.

* For Mounting Hole Code See Table I of Applicable Receptacle

CLASS	SHELL SIZE	PMA FITTING	PART NUMBER SUFFIX	CONDUIT INNER DIA	L
PILAG	10SL	BVIRA-U152	(U152)	11.9	36.5
	14S	BVIRA-U182	(U182)	11.9	36.5
	14S	BVIRA-U187	(U187)	15.2	44.5
PILB	14/20	BFILB-U297	(U297)	15.2	38.0
	20 & 22	BFILB-U293	(U293)	22.0	38.0
PILMG	16S & 16	BFILM-U293	(U217)	15.2	33.0
	18	BFILM-U247	(U247)	15.2	35.0
	18	BFILM-U242	(U242)	12.0	35.0
	20 & 22	BFILM-U297	(U297)	15.2	35.0
PIVG	20 & 22	BVIVG-U293	(U353)	22.0	55.0
	24 & 28	BVIVG-U353	(U353)	22.0	52.0
	24 & 28	BVIVG-U356	(U356)	36.5	63.0
	24 & 28	BVIVG-U357	(U357)	15.2	46.5
	32	BVIVG-U436	(U436)	35.8	62.5
	32	BVIVG-U439	(U439)	27.7	51.5
	32	BVIVG-U433	(U433)	22.0	52.0
	36	BVIVG-U509	(U509)	27.7	55.0
	36	BVIVG-U503	(U503)	22.0	51.5
	40	BVIVG-U563	(U563)	22.0	51.0
	40	BVIVG-U566	(U566)	35.8	62.0
	40	BVIVG-U568	(U568)	46.7	64.0
	40	BVIVG-U569	(U569)	27.7	51.0
PILJ	40	BFILJ-U568	(U568)	46.7	65.0

DIMENSIONS ARE IN MILLIMETERS

FLEXIBLE CONDUIT - PLASTIC

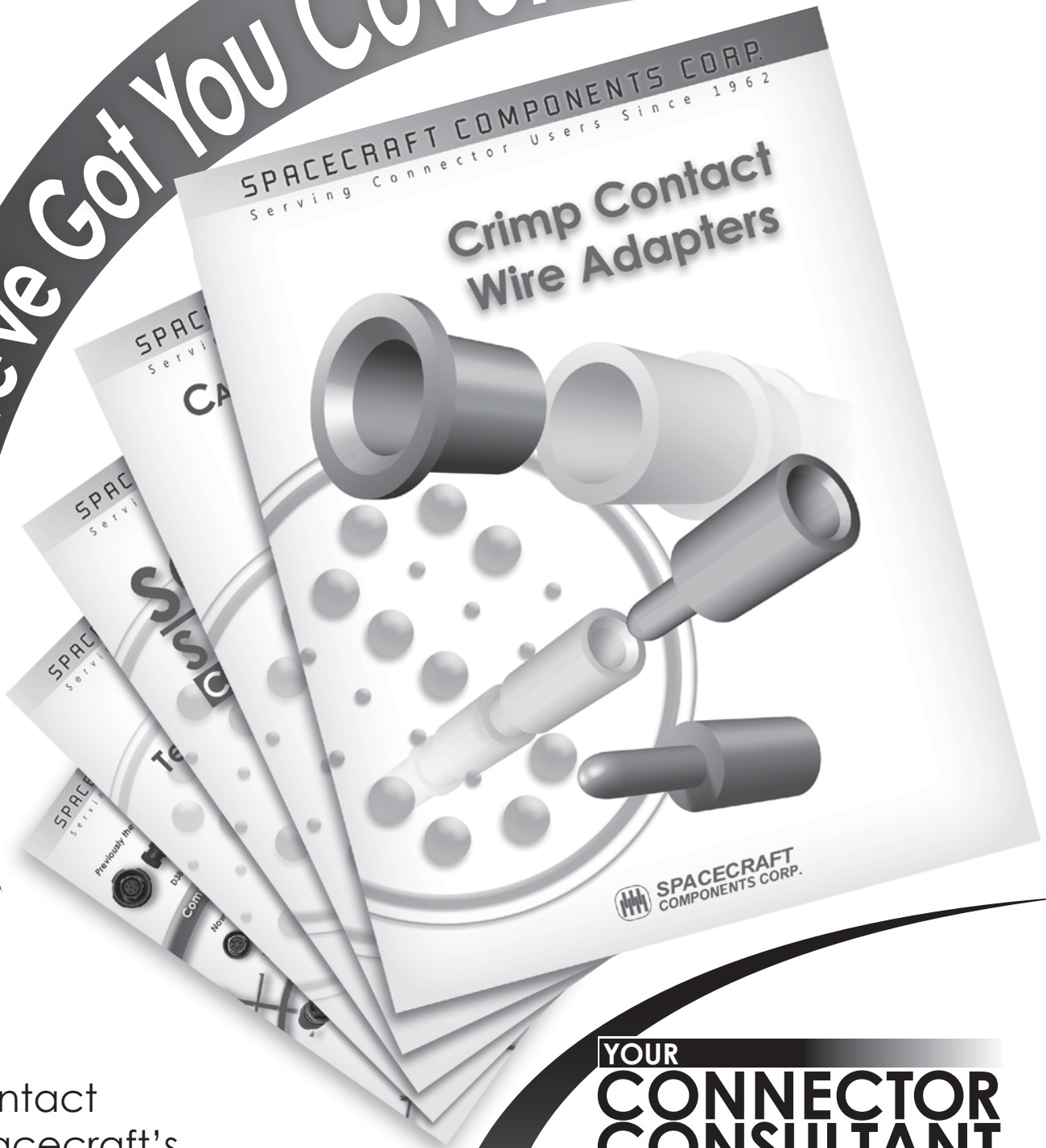
PG & UNEF FITTINGS

Cross Reference, PMA to TRAC Series

Shell Size	Backshell Thread	PMA BV (IP68)	PMA BF (IP67)	TRAC Fitting VPIVB (IP67)	NW	Metric	PMA Conduit Heavy Duty High Flex	PMA Conduit Heavy Duty Flex	PMA Conduit Heavy Duty Flame	PMA Conduit High Flexible Flame	TRAC Transit Conduit Heavy Duty Flame	TRAC Transit Conduit High Flexible Flame
10SL	5/8-24UNEF	BVIRA-U15M	BFILA-U15M	VPIVB-07U05	1	10	PCST-07B	VCST-07B	VAMT-07B	VAMLT-07B	PARVB-07G	
		BVIRA-U150	BFILA-U150	VPIVB-10U05*	10	12	PCST-10B	VCST-10B	VAMT-10B	VAMLT-10B	PARVB-10F	PARFB-10F
		BVIRA-U152	BFILA-U152	VPIVB-12U05	12	16	PCST-12B	VCST-12B	VAMT-12B	VAMLT-12B	PARVB-12F	PARFB-12F
14S	3/4-20UNEF	BVIRA-U180	BFILA-U180	VPIVB-10U07*	10	12	PCST-10B	VCST-1GS	VAMG-10B	VAMLT-10B	PARVB-10F	PARFB-10F
		BVIRA-U182	BFILA-U182	VPIVB-12U07	12	16	PCST-12B	VCST-12B	VAMT-12B	VAMLT-12B	PARVB-12F	PARFB-12F
		BVIRA-U187	BFILA-U182	VPIVB-17U07	17	20	PCS17 PCSG-17B	VCST/ VCSG-17B	VAMG-17B	VAMLG-17B	PARVB-17F OR17G	PARFB-17G
16S	7/8-20UNEF	BVIVG-U212	BFILM-U212	VPIVB-12U09	12	16	PCST-12B	VCST-12B	VAMT-12B	VAMLT-12B	PARVB-12F	PARFB-12F
		BVIVG-U217	BFILM-U217	VPIVB-17U09*	17	20	PCST/PCSG-17B	VCST/ VCSG-17B	VAMG-17B	VAMLG-17B	PARVB-17FOR 17G	PARFB-17G
16	7/8-20UNEF	BVIVG-U212	BFILM-U212	VPIVB-12U09	12	16	PCST-12B	VCST-12B	VAMT-12B	VAMLT-12B	PARVB-12F	PARFB-12F
		BVIVG-U217	BFILM-U217	VPIVB-17U09	17	20	PCST/PCSG-17B	VCST/ VCSG-17B	VAMG-17B	VAMLG-17B	PARVB-17F OR 17G	PARFB-17G
18	1-20UNEF	BVIVG-U242	BFILM-U242	VPIVB-12U11*	12	16	PCST-12B	VCST-12B	VAMT-12B	VAMLT-12B	PARVB-12F	PARFB-12F
		BVIVG-U247	BFILM-U247	VPIVB-17U11	17	20	PCST/PCSG-17B	VCST/ VCSG-17B	VAMG-17B	VAMLG-17B	PARVB-17F OR 17G	PARFB-17G
		BVIVG-U243		VPIVB-23U11*	23	25	PCSG-23B	VCSG-23B	VAMG-23B	VAMLG-23B	PARVB-23G	PARFB-23G
20	1 3/16-18UNEF	BVIVG-U292		VPIVB-12U14*	12	16	PCST-12B	VCST-12B	VAMT-12B	VAMLT-12B	PARVB-12F	PARFB-212F
		BVIVG-U297	BFILM-U297	VPIVB-17U14	17	20	PCST/PCSG-17B	VCST/ VCSG-17B	VAMG-17B	VAMLG-17B	PARVB-17FOR 17G	PARFB-17G
		BVIVG-U293	BFILB-U293	VPIVB-23U14*	23	25	PCSG-23B	VCSG-23B	VAMG-23B	VAMLG-23B	PARVB-23G	PARFB-23G
		BVIVG-U299	BFILB-U299	VPIVB-29U14*	29	29	PCSG-29B	VCSG-29B	VAMG-29B	VAMLG-29B	PARVB-29G	PARFB-29G
			BFILB-U296	VPIVB-36U14*	36	40	PCSG-36B	VCSG-36B	VAMG-36B	VAMLG-36B	PARVB-36B	PARFB-36G
22	1 3/16-18UNEF	BVIVG-U292		VPIVB-12U14*	12	16	PSCST-12B	VSCST-12B	VAMT-12B	VAMLT-12B	PARVB-12F	PARFB-12F
		BV1VG-U297	BFILM-U297	VPIVB-17U14	17	20	PCST/ PCSG-17B	VCST/VCSG-17B	VAMG-17B	VAMLG-17B	PARVB-17FOR 17G	PARFB-17G
		BV1VG-U293	BFILB-U293	VPIVB-23U14	23	25	PCSG-23B	VCSG-23B	VAMG-23B	VAMLG-23B	PARVB-23G	PARFB-23G
		BVIVG-U299	BFILB-U299	VPIVB-29U14*	29	29	PCSG-29B	VCSG-29B	VAMG-29B	VAMLG-29B	PARVB-29G	PARFB-29G
			BFILB-U296	VPIVB-36U14*	36	40	PSCG-3SB	VSCG-36B	VAMG-36B	VAMLG-36B	PARVB-36G	PARFB-36G
24	1 7/16-18UNEF	BVIVG-U352		VPIVB-12U18*	12	16	PCST-12B	VCST-12B	VAMT-12B	VAMLT-12B	PARVB-12F	PARFB-12F
		BVIVG-U357	BFILB-U357	VPIVB-17U18*	17	20	PCST/ PCSG-17B	VCST/VCSG-17B	VAMG-17B	VAMLT-17B	PARVB-17FOR 17G	PARFB-17G
		BVIVG-U353	BFILB-U353	VPIVB-23U18	23	25	PCSG-23B	VCSG-23B	VAMG-23B	VAMLG-23B	PARVB-23G	PARFB-23G
		BVIVG-U359	BFILB-U359	VPIVB-29U13*	29	32	PCSG-29B	VCSG-29B	VAMG-29B	VAMLG-29B	PARVB-29G	PARFB-29G
		BVIVG-U356G		VPIVB-36U18*	36	40	PCSG-36B	VCSG-36B	VAMG-36B	VAMLG-36B	PARVB-36G	PARFB-36G
28	17/16-18UNEF	BVIVG-U352		VPIVB-12U18*	12	16	PCSG-12B	VCST-12B	VAMT-12B	VAMLT-12B	PARVB-12F	PARFB-12F
		BVIVG-U357	8FILB-U357	VPIVB-17U18*	17	20	PCST/PCSG-17B	VCST/ VCSG-17B	VAMG-17B	VAMLG-17B	PARVB-17F OR17G	PARFB-17G
		BVIVG-U353	BFILB-U353	VPIVB-23U18	23	25	PCSG-23B	VCSG-23B	VAMG-23B	VAMLG-23B	PARVB-23G	PARFB-23G
		BVIVG-U359	BFILB-U359	VPIVB-29U18*	29	32	PCSG-29B	VCSG-29B	VAMG-29B	VAMLG-29B	PARVB-29G	PARFB-29G
		BVIVG-U356G		VPIVB-36U18*	36	40	PCSG-36B	VCSG-36B	VAMG-36B	VAMLG-35B	PARVB-36G	PARFB-36G
32	1 3/4-18UNS	BVIVG-U437		VPIVB-17U20*	17	20	PCST/PCSG-17B	VCST/ VCSG-17B	VAMG-17B	VAMLG-17B	PARVB-17F OR 17G	PARFB-17G
		BVIVG-U433		VPIVB-23U20*	23	25	PCSG-23B	VCSG-23B	VAMG-23B	VAMLG-23B	PARVB-23G	PARFB-23G
		BVIVG-U439		VPIVB-29U20*	29	32	PCSG-29B	VCSG-29B	VAMG-29B	VAMLG-29B	PARVB-29G	PARFB-29G
		BVIVG-U436		VPIVB-36U20*	36	40	PCSG-36B	VCSG-36B	VAMG-36B	VAMLG-36B	PARVB-36G	PARFB-36G
36	2-18UNS	BVIVG-U503		VPIVB-23U24*	23	25	PCSG-23B	VCSG-23B	VAMG-23B	VAMLG-23B	PARVB-23G	PARFB-23G
		BV1VG-U509		VPIVB-29U24	29	32	PCSG-29B	VCSG-29B	VAMG-29B	VAMLG-29B	PARVB-29G	PARFB-29G
		BVIVG-U506		VPIVB-36U24*	36	40	PCSG-36B	VCSG-36B	VAMG-36B	VAMLG-36B	PARVB-36G	PARFB-36G
		BV1VG-U508		VPIVB-48U24*	48	50	PCSG-48B	VCSG-48B	VAMG-43B	VAMLG-48B	PARVB-48G	PARFB-48G
40	2 1/4-16UN	BVIVG-U563		VPIVB-23U25*	23	25	PCSG-23B	VCSG-23B	VAMG-23B	VAMLG-23B	PARVB-23G	PARFB-23G
		BVIVG-U569		VPIVB-29U25*	29	32	PCSG-29B	VCSG-29B	VAMG-29B	VAMLG-29B	PARVB-29G	PARFB-29G
		BVIVG-U566		VPIVB-36U25*	36	40	PCSG-36B	VCSG-36B	VAMG-36B	VAMLG-36B	PARVB-36G	PARFB-36G
		BVIVG-U568		VPIVB-48U25*	48	50	PCSG-48B	VCSG-48B	VAMG-48B	VAMLG-48B	PARVB-48G	PARFB-48G

5C

We've Got You Covered



Contact
Spacecraft's
Consultative Sales Team
for Ordering Information



YOUR
**CONNECTOR
CONSULTANT**
SINCE 1962

 **SPACECRAFT
COMPONENTS CORP.**

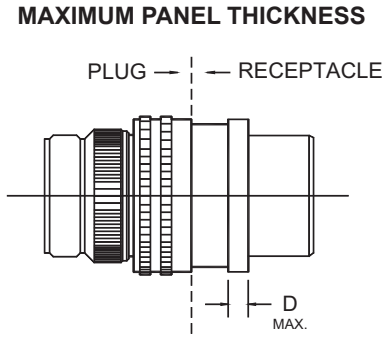
702.851.7600

SECTION 6C ACCESSORIES AND RECEPTACLE MOUNTING DATA

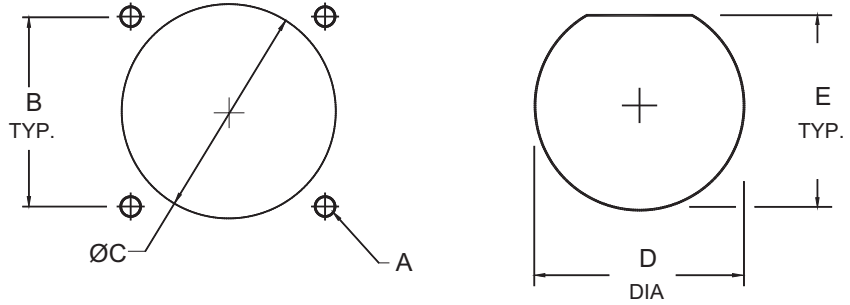
6C

MOUNTING DATA FOR RECEPTACLES

MAXIMUM PANEL THICKNESS



PANEL CUT-OUT DIMENSIONS



SHELL SIZE	D		
	00,02 020,26	03 030,038	TB SERIES
10SL	.146 [3.70]	.283 [7.20]	.393 [10.0]
14S	.146 [3.70]	.283 [7.20]	.378 [9.60]
16S	.146 [3.70]	.283 [7.20]	.378 [9.60]
16	.146 [3.70]	.295 [7.50]	.543 [13.8]
18	.146 [3.70]	.295 [7.50]	.512 [13.0]
20	.146 [3.70]	.295 [7.50]	.512 [13.0]
22	.146 [3.70]	.295 [7.50]	.512 [13.0]
24	.207 [5.25]	.295 [7.50]	.449 [11.4]
28	.207 [5.25]	.323 [8.20]	.488 [12.4]
32	.241 [6.10]	.295 [7.50]	.354 [9.0]
36	.241 [6.10]	.295 [7.50]	.354 [9.0]
40	.237 [6.00]	.295 [7.50]	.354 [9.0]

DIMENSIONS IN BRACKETS [] ARE IN MILLIMETERS.

SHELL SIZE	A	B ±.004	C DIAMETER		D	E
	00,02,020 03,030	00,02,020 03,030	FRONT MOUNT 00,02,020	REAR MOUNT 03,030	JAM NUT 07,070	JAM NUT 07,070
10SL	.126	.717	.6875	.750	.875	.83
14S	.126	.906	.8125	1.000	1.125	1.08
16S/16	.126	.969	.9375	1.125	1.250	1.21
18	.126	1.063	1.0625	1.250	1.375	1.32
20	.126	1.157	1.1875	1.375	1.500	1.45
22	.126	1.252	1.3125	1.500	1.625	1.57
24	.146	1.374	1.4375	1.625	1.750	1.70
28	.146	1.563	1.6875	1.875	2.000	1.95
32	.169	1.752	1.9375	2.125	2.250	2.20
36	.169	1.937	2.125	2.375	2.500	2.45
40	.169	2.185	2.375	2.625	2.750	2.70

GROMMET HOLE SEALING RANGE

HOLE SIZE	SEALING RANGE
18-20	.039-.082 (1.0-2.1)
16	.090-.118 (2.3-3.0)
12	.126-.177 (3.2-4.5)
8	.150-.256 (3.8-6.5)
4	.279-.366 (7.1-9.3)
0	.394-.539 (10.0-13.7)

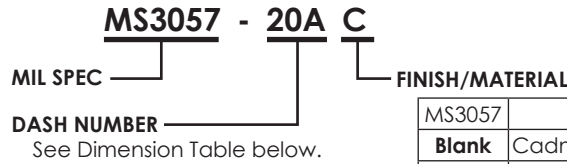
RECOMMENDED TORQUE FORCES CONNECTOR BACKSHELLS

SIZE	IN./LB MAX	SIZE	IN./LB MAX.
10SL	26	22	85
14S	44	24	90
16	50	28	114
16S	50	32	120
18	55	36	153
20	65	40	170



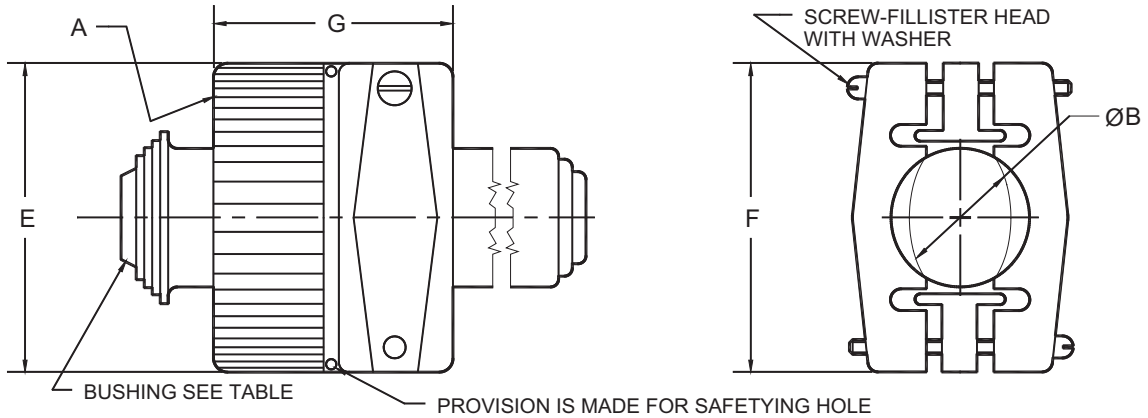
MS3057-*A CABLE CLAMP

FOR ALL SERIES HAVING A THREADED BACKSHELL



MS3057	FINISH	MATERIAL
Blank	Cadmium, olive drab 48 hr. salt spray	Aluminum alloy
A	Cadmium, olive drab over suitable underplate, 1000 hr. salt spray	
C	Cadmium, olive drab, 48 hr salt spray	
N	Electroless nickel	

Note: Bushing can be "telescoped" to achieve a smaller sealing diameter.



DASH NO.	CONNECTOR SHELL SIZE (REF)	A THREAD CLASS 2B	B MAX	ØE ±.031 [±0.79]	F ±.031 [±0.79]	G ±.031 [±0.79]	BUSHING (REF) (a)
-3A	8S & 10S	.500-28 UNEF	.250 [6.35]	.688 [17.48]	.812 [20.62]	.812 [20.62]	MS3420-3
-4A	10SL, 12S & 12	.625-24 UNEF	.312 [7.92]	.812 [20.62]	.875 [22.22]		MS3420-4
-6A	14S & 14	.750-20 UNEF	.438 [11.13]	.969 [24.61]	1.062 [26.97]	.875 [22.22]	MS3420-6
-8A	16S & 16	.875-20 UNEF	.562 [14.27]	1.094 [27.79]	1.156 [29.36]	.938 [23.83]	MS3420-8
-10A	18	1.000-20 UNEF	.625 [15.87]	1.188 [30.18]	1.250 [31.75]		MS3420-10
-12A	20 & 22	1.188-20 UNEF	.750 [19.05]	1.375 [34.92]	1.469 [37.31]		MS3420-12
-16A	24 & 28	1.438-18 UNEF	.938 [23.83]	1.656 [42.06]	1.688 [42.88]	1.031 [26.19]	MS3420-16
-20A	32	1.750-18 UNS	1.250 [31.75]	2.031 [51.59]	2.031 [51.59]	1.094 [27.79]	MS3420-20
-24A	36	2.000-18 UNS	1.375 [34.92]	2.219 [56.36]	2.281 [57.94]	1.156 [29.36]	MS3420-24
-28A	40	2.250-16 UN	1.625 [41.27]	2.500 [63.50]	2.688 [68.28]	1.688 [42.88]	MS3420-28
-32A	44	2.500-16 UN	1.875 [47.62]	2.781 [70.64]	2.938 [74.63]	1.750 [44.45]	MS3420-32
-40A	48	3.000-16 UN	2.375 [60.32]	3.281 [83.34]	3.500 [88.90]		MS3420-40

- (a) TELESCOPING BUSHINGS ARE NOT SUPPLIED WITH CLAMPS.
- DIMENSIONS IN BRACKETS [] ARE IN MILLIMETERS.

MS3420

TELESCOPING RUBBER BUSHING

MS3420 - 16

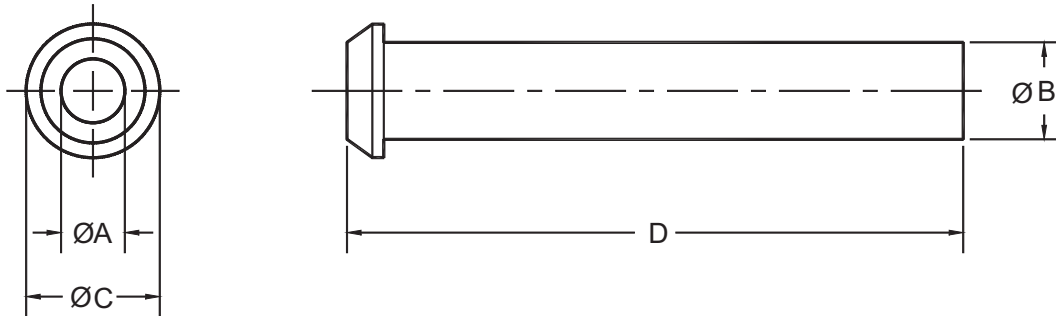
MIL SPEC

Standard material & color is black neoprene.

DASH NUMBER

See Dimension Table below.

FOR USE WITH MS3057*A CABLE CLAMPS



DASH NO.	ØA	ØB	ØC	D	MS3420-*	
					SUPERSEDES	
					AN3420	MS39056
-3	.130 [3.30]	.210 [5.33]	.379 [9.63]	2.875 [73.02]	-3	-1
-4	.220 [5.59]	.302 [7.67]	.505 [12.83]	2.750 [69.85]	-4	-2
-6	.312 [7.92]	.427 [10.85]	.619 [15.72]	2.625 [66.67]	-6	-3
-8	.437 [11.10]	.552 [14.02]	.744 [18.90]	2.500 [63.50]	-8	-4
-10	.562 [14.27]	.615 [15.62]	.869 [22.07]	2.375 [60.32]	-10	-5
-12	.625 [15.87]	.740 [18.80]	1.064 [27.03]	2.250 [57.15]	-12	-6
-16	.750 [19.05]	.927 [23.55]	1.314 [33.38]	2.125 [53.97]	-16	-7
-20	.937 [23.80]	1.240 [31.50]	1.596 [40.54]	2.000 [50.80]	-20	-8
-24	1.250 [31.75]	1.365 [34.67]	1.847 [46.91]	1.875 [47.62]	-24	-9
-28	1.375 [34.92]	1.614 [41.00]	2.085 [52.96]	1.750 [44.45]	-28	-10
-32	1.624 [41.25]	1.864 [47.35]	2.335 [59.31]	1.625 [41.27]	-32	-11
-40	1.874 [47.40]	2.364 [47.60]	2.835 [72.01]	1.500 [38.10]	-40	-12

DIMENSIONS IN BRACKETS [] ARE IN MILLIMETERS.

MS3057 - 20C

MIL SPEC

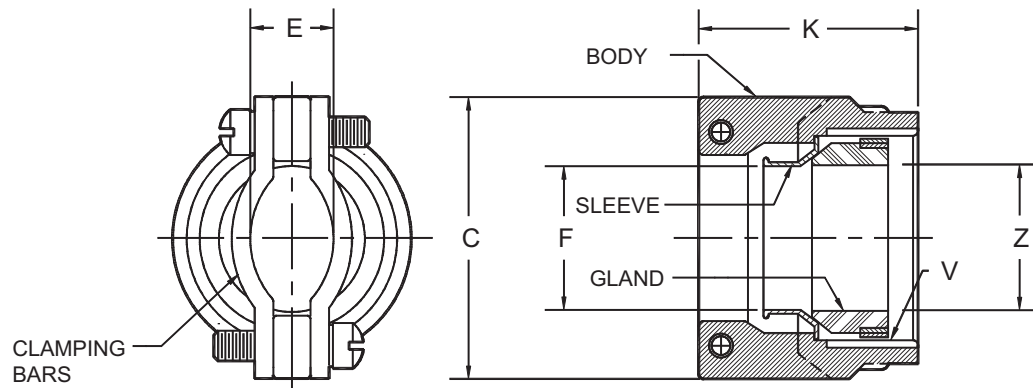
DASH NUMBER

See Dimension Table below.

MATERIAL: ALUMINUM ALLOY

FINISH: CADMIUM, OLIVE DRAB, 48 HR SALT SPRAY

Note: Bushing can be "telescoped" to achieve a smaller sealing diameter.

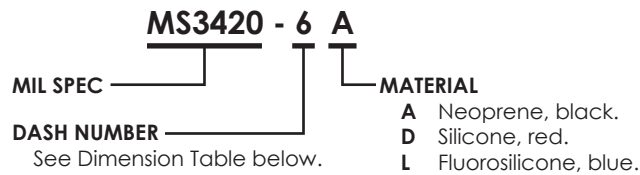


DASH NO.	CONNECTOR SHELL SIZE (REF)	C MAX	E MAX CLOSED	F +.020 -.000 [+0.51] [-0.00]	K MAX	V THREAD CLASS 2B	ØZ APPROX. (GLAND)		BUSHING (REF) (a)
							FREE	CLOSED	
-3C	8S & 10S	.812 [20.62]	.217 [5.51]	.231 [5.87]	1.375 [34.92]	.500-28 UNEF	.219 [5.56]	.031 [0.79]	MS3420-3A
-4C	10SL, 12S & 12	.937 [23.80]	.296 [7.52]	.315 [8.00]	1.375 [34.92]	.625-24 UNEF	.312 [7.92]	.094 [2.39]	MS3420-4A
-6C	14S & 14	1.062 [26.97]	.390 [9.91]	.440 [11.18]	1.375 [34.92]	.750-20 UNEF	.438 [11.13]	.250 [6.35]	MS3420-6A
-8C	16S & 16	1.188 [30.18]	.434 [11.02]	.515 [13.08]	1.375 [34.92]	.875-20 UNEF	.531 [13.49]	.312 [7.92]	MS3420-8A
-10C	18	1.312 [33.32]		.614 [15.60]	1.437 [36.50]	1.000-20 UNEF	.625 [15.87]	.375 [9.52]	MS3420-10A
-12C	20 & 22	1.562 [39.67]	.596 [15.14]	.738 [18.75]	1.437 [36.50]	1.188-20 UNEF	.750 [19.05]	.500 [12.70]	MS3420-12A
-16C	24 & 28	1.750 [44.45]		.926 [23.52]	1.562 [39.67]	1.438-18 UNEF	.938 [23.83]	.594 [15.09]	MS3420-16A
-20C	32	2.250 [57.15]	.858 [21.79]	1.200 [30.48]	1.812 [46.02]	1.750-18 UNS	1.250 [31.75]	.938 [23.83]	MS3420-20A
-24C	36	2.375 [60.32]		1.363 [34.62]	1.812 [46.02]	2.000-18 UNS	1.375 [34.92]	.969 [24.61]	MS3420-24A
-28C	40	2.625 [66.67]	1.107 [28.12]	1.611 [40.92]	2.062 [52.37]	2.250-16 UN	1.625 [41.27]	1.188 [30.18]	MS3420-28A
-32C	44	2.812 [71.42]	1.421 [36.09]	1.865 [47.37]	2.188 [55.58]	2.500-16 UN	1.875 [47.62]	1.375 [34.92]	MS3420-32A

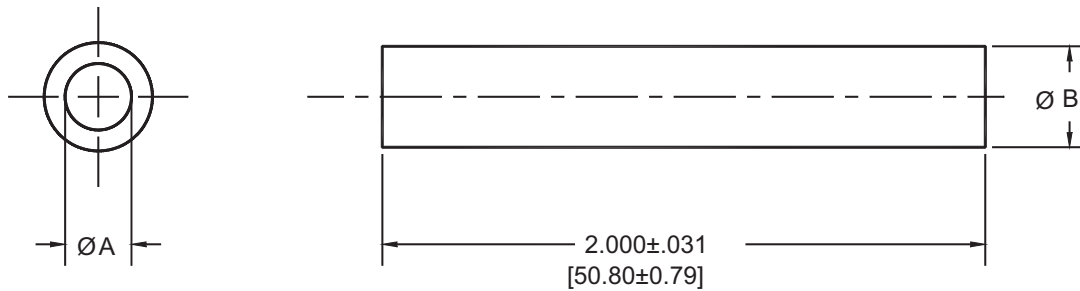
- (a) TELESCOPING BUSHINGS ARE NOT SUPPLIED WITH CLAMPS.
- DIMENSIONS IN BRACKETS [] ARE IN MILLIMETERS.

MS3420-*A

TELESCOPING RUBBER BUSHING



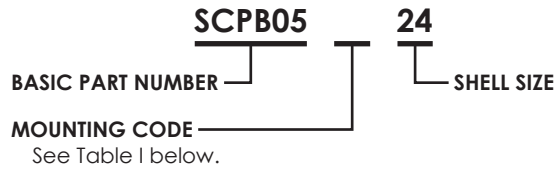
For use with MS3057*C Cable Clamps



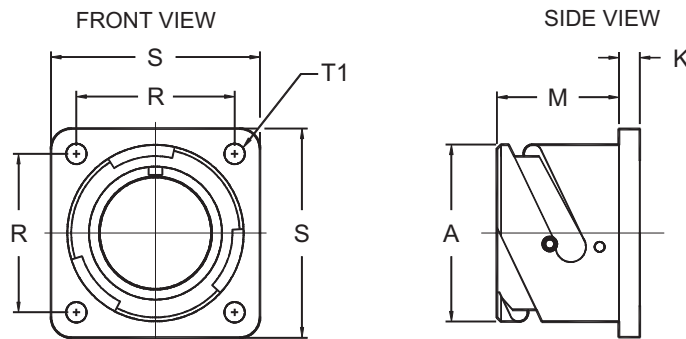
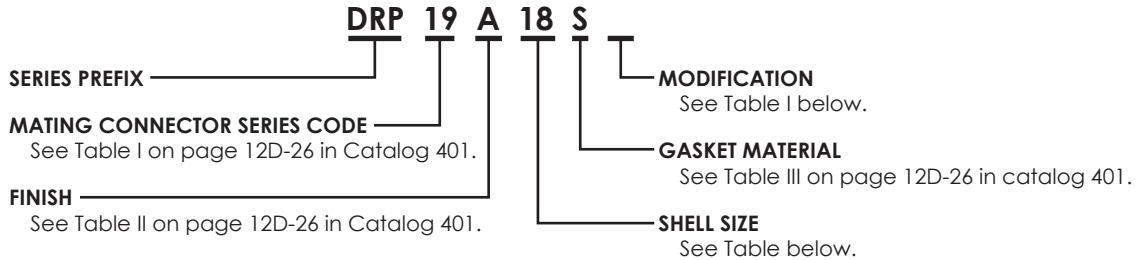
DASH NO.	ØA	ØB	MS3420-*A SUPERSEDES	
			AN3420	MS39057
-3	.125 [3.17]	.210 [5.33]	-3A	-1
-4	.219 [5.56]	.302 [7.67]	-4A	-2
-6	.312 [7.92]	.427 [10.85]	-6A	-3
-8	.438 [11.13]	.531 [13.49]	-8A	-4
-10	.438 [11.13]	.615 [15.62]	-10A	-5
-12	.541 [13.74]	.740 [18.80]	-12A	-6
-16	.750 [19.05]	.927 [23.55]	-16A	-7
-18	.938 [23.83]	1.115 [28.32]	-18A	-8
-20	.938 [23.83]	1.240 [31.50]	-20A	-9
-24	1.125 [28.57]	1.365 [34.67]	-24A	-10
-28	1.250 [31.75]	1.614 [41.00]	-28A	-11
-32	1.625 [41.27]	1.865 [47.37]	-32A	-12
-40	1.875 [47.62]	2.365 [60.07]	-40A	-13

DIMENSIONS IN BRACKETS [] ARE IN MILLIMETERS.

DRP19 SCPB05 DUMMY RECEPTACLE



MATERIAL: Aluminum alloy
FINISH: Cadmium olive drab, 48 hr. salt spray



ENVIRONMENTAL WHEN USED WITH A FLANGE SEALING GASKET SCP36675 OR SCP40450

MOUNTING HOLE OPTIONS
 See Table I.

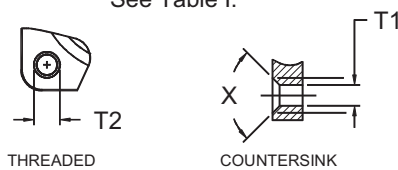


TABLE I. MOUNTING HOLE CODES

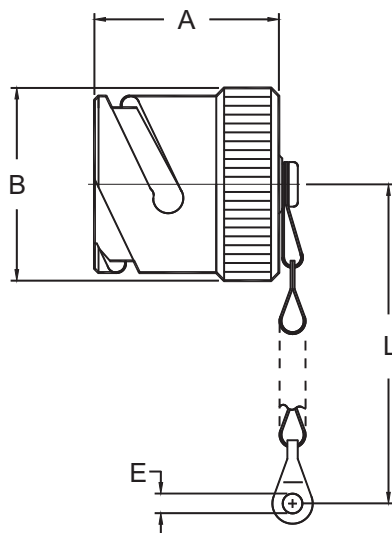
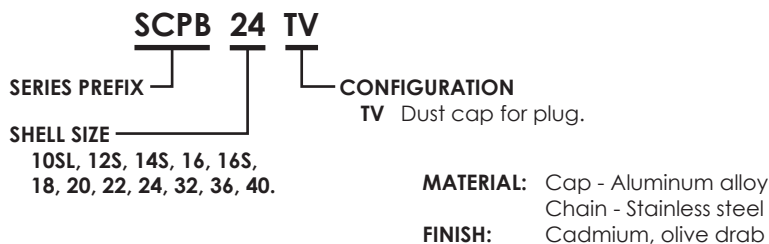
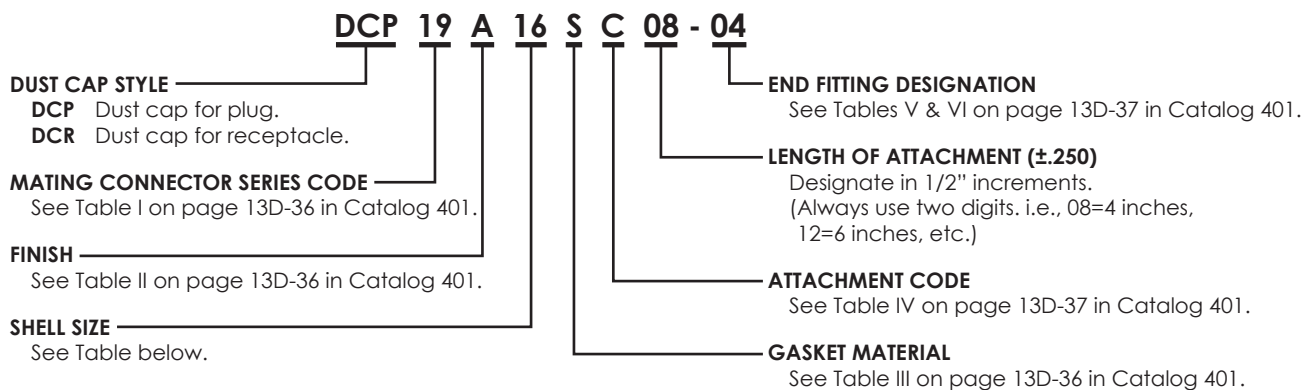
CODE	MOUNTING HOLES TYPE
NONE	THRU HOLES - STANDARD
FF	METRIC THREAD
UN	UNC THREAD
FS	METRIC COUNTERSINK (X=90°)
FSM	UN COUNTERSINK (X=82°)

SHELL SIZE	FRONT VIEW					SIDE VIEW		
	R ±0.1	S ±0.3	T1 +0.1 -0.0	T2 THREAD		A +0.00 -0.15	K ±0.2	M +0.4 -0.0
				METRIC	UNC			
10SL	18.2	25.4	3.2	M4	8-32UNC	18.2	2.8	14.2
14S	23.0	30.0	3.2	M4	8-32UNC	24.6	3.2	14.2
16S	24.6	32.5	3.2	M4	8-32UNC	27.4	3.2	14.2
16	24.6	32.5	3.2	M4	8-32UNC	27.4	3.2	19.0
18	27.0	35.0	3.2	M4	8-32UNC	30.8	4.0	19.0
20	29.4	38.0	3.2	M4	8-32UNC	34.2	4.0	19.0
22	31.8	41.0	3.2	M4	8-32UNC	37.4	4.0	19.0
24	34.9	44.5	3.7	M4	10-24UNC	40.9	4.0	20.6
28	39.7	50.8	3.7	M5	10-24UNC	46.7	4.0	20.6
32	44.5	57.0	4.3	M5	1/4-20UNC	53.4	4.0	22.2
36	49.2	63.5	4.3	M5	1/4-20UNC	59.6	4.0	22.2
40	55.5	69.8	4.3	M5	1/4-20UNC	65.5	4.0	22.2

DIMENSIONS ARE IN MM.

DCP19 SCPB*TV

DUST CAP FOR PLUG

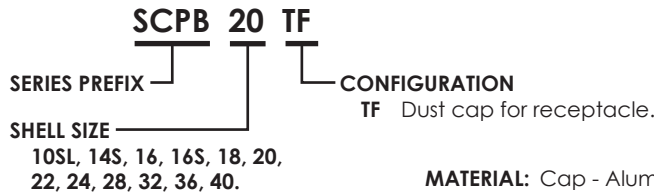
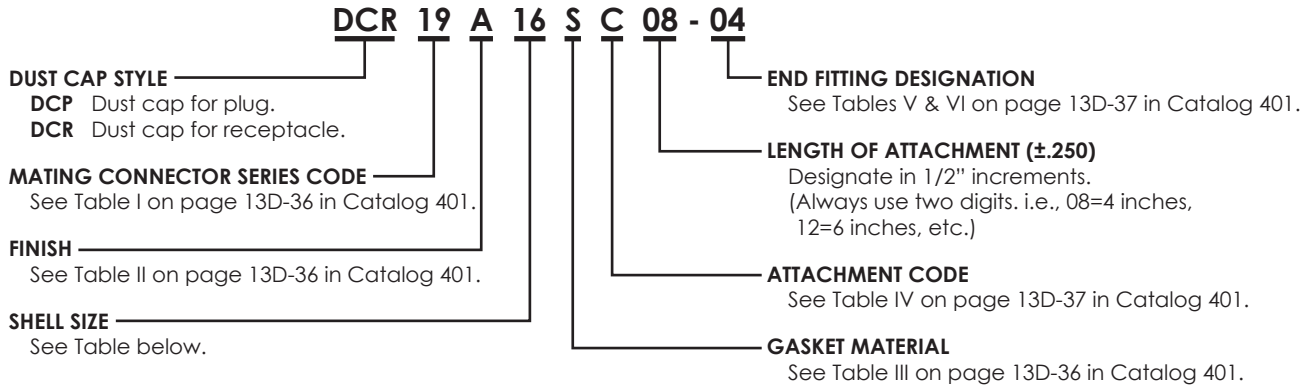


SHELL SIZE	FOR PLUGS SCPB(G) 06, 08, 064, 065				
	PART NUMBER	A MAX.	B MAX.	E +0.5 -0.25	L APPX.
10SL	SCPB10SLTV	29	21	4.4	108
12S	SCPB14STV	29	27.5	4.4	123
14S	SCPB16STV	29	30	4.4	123
16	SCPB16TV	37	30	4.4	123
16S	SCPB18TV	37	33.5	4.4	123
18	SCPB20TV	37	37	4.8	138
20	SCPB22TV	37	40	4.8	138
22	SCPB24TV	37	43.5	4.8	138
24	SCPB28TV	37	49.5	4.8	206
32	SCPB32TV	37	56	5.6	206
36	SCPB36TV	37	62.5	5.6	206
40	SCPB40TV	37	67.7	5.6	206

DIMENSIONS ARE IN MM.

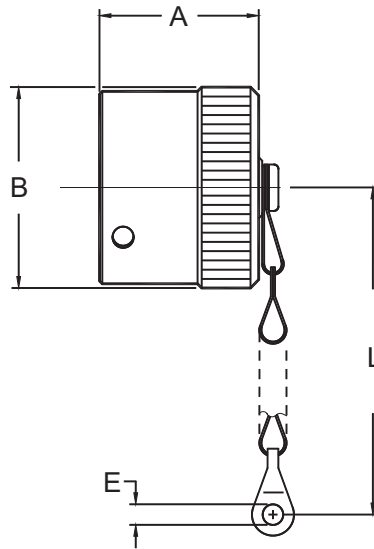
SCPB*TF DCR19

DUST CAP FOR RECEPTACLE



MATERIAL: Cap - Aluminum alloy
 Gasket/Disk - Neoprene rubber
 Chain - Stainless steel

FINISH: Cadmium, olive drab

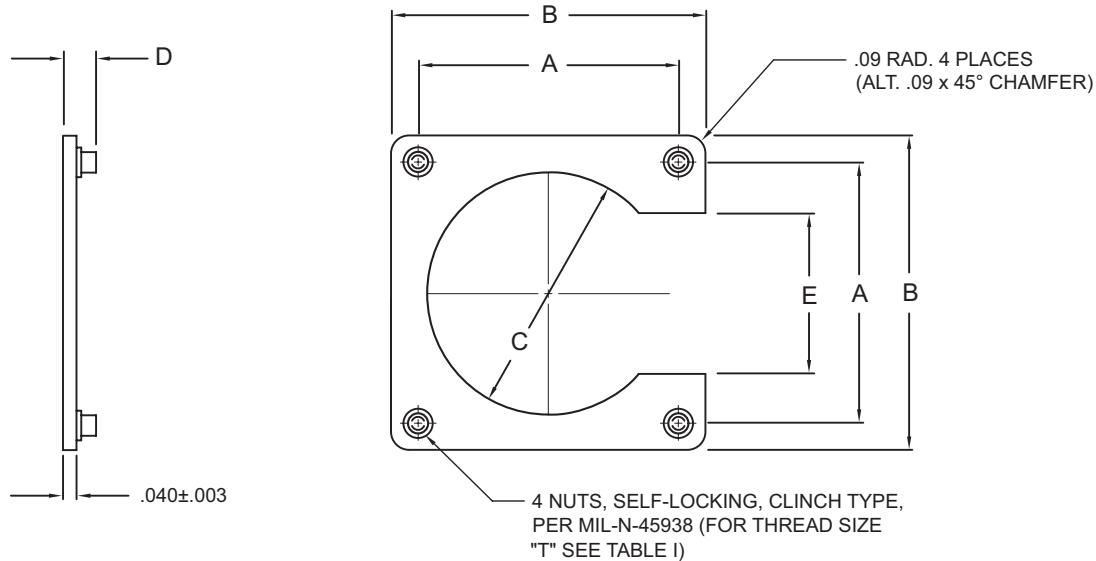
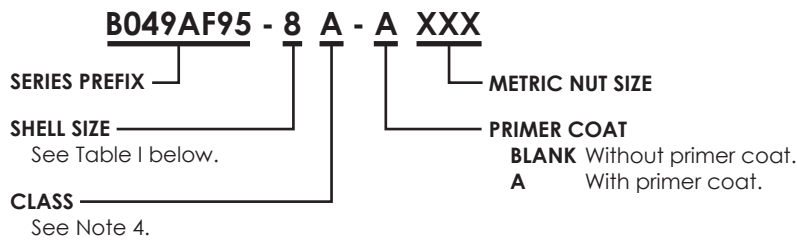


SHELL SIZE	PART NUMBER	A MAX.	B MAX.	E +0.5 -0.25	L APPROX.
10SL	SCP B10SLTF	20.0	23.5	4.4	108
14S	SCP B14STF	20.0	30.5	4.4	108
16	SCP B16STF	20.0	33	4.4	108
16S	SCP B16TF	25.0	33	4.4	123
18	SCP B18TF	25.0	37.5	4.4	123
20	SCP B20TF	25.0	41	4.4	123
22	SCP B22TF	25.0	44	4.4	123
24	SCP B24TF	25.0	47.5	4.4	123
28	SCP B28TF	25.0	54.5	5.6	206
32	SCP B32TF	25.0	61	5.6	206
36	SCP B36TF	25.0	67.5	5.6	206
40	SCP B40TF	25.0	73	5.6	206

DIMENSIONS ARE IN MM.

B049AF95

3/4 MOUNT, TYPE II (MEDIUM DUTY) NUT PLATE



Notes:

1. Dimensions are in inches
2. Unless otherwise specified.
3. Classes represent shell size variances (see Table I).

TABLE I

PART NUMBER B049AF95	CLASS	SHELL SIZE	T THRD UNC-3B	A ± .003	B ± .015	C + .015 - .000	D	E + .002 - .030
10	A	10	4-40	.719	1.019	.720	.106/.166	.433
	B		6-32	.812	1.178	.749	.123/.183	.433
12	A	12	4-40	.812	1.104	.855	.106/.166	.530
	B		6-32	.938	1.312	.938	.123/.183	.526
14	A	14	4-40	.906	1.198	.984	.106/.166	.624
	B		6-32	1.031	1.406	1.031	.123/.183	.620
16	A	16	4-40	.969	1.280	1.094	.106/.166	.687
	B		6-32	1.125	1.500	1.125	.123/.183	.683
18	A	18	4-40	1.062	1.406	1.220	.106/.166	.780
	B		6-32	1.203	1.578	1.234	.123/.183	.776
20	A	20	4-40	1.156	1.535	1.345	.106/.166	.874
	B		6-32	1.297	1.688	1.359	.123/.183	.865
22	A	22	4-40	1.250	1.665	1.478	.106/.166	.968
	B		6-32	1.375	1.738	1.483	.123/.183	.907
24	A	24	6-32	1.500	1.891	1.560	.123/.183	1.000
	B		6-32	1.375	1.785	1.595	.123/.183	1.031
28	A	28	6-32	1.562	2.000	1.820	.123/.183	1.125
32	A	32	6-32	1.750	2.312	2.062	.123/.183	1.188
36	A	36	6-32	1.938	2.500	2.312	.123/.183	1.375

B049AF95 METRIC NUT PLATE

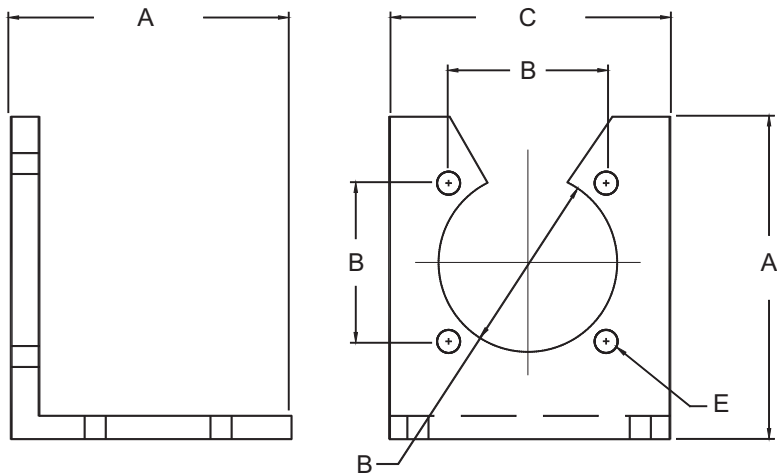
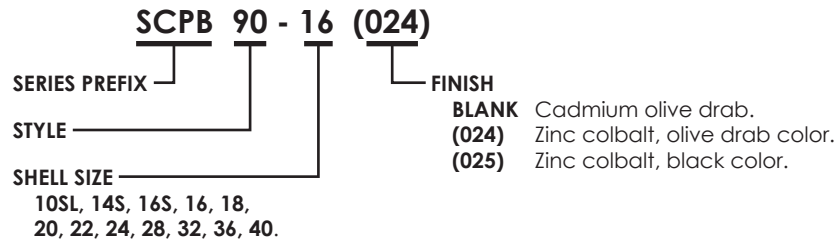
3/4 MOUNT, TYPE II (MEDIUM DUTY) NUT PLATE

PART NUMBER	SHELL SIZE	T THREAD	A ± .08	B ±.4	C +.038 -.00	D	E ±.5
B049AF95-10SLA-A-M2.5	10SL	M2.5 x 0.45	18.26	25.88	17.47	2.6/4.2	11.00
B049AF95-10SLA-A-M3	10SL	M3 x 0.5	18.26	25.88	17.47	2.7/4.2	11.00
B049AF95-14SA-A-M2.5	14S	M2.5 x 0.45	23.01	30.28	24.20	2.6/4.2	15.75
B049AF95-14SA-A-M3	14S	M3 x 0.5	23.01	30.28	24.20	2.7/4.2	15.75
B049AF95-16SA-A-M2.5	16S	M2.5 x 0.45	24.61	31.87	27.78	2.6/4.2	17.34
B049AF95-16SA-A-M3	16S	M3 x 0.5	24.61	31.87	27.78	2.7/4.2	17.34
B049AF95-16SA-A-M2.5	16S	M2.5 x 0.45	24.61	31.87	27.78	2.6/4.2	17.34
B049AF95-16-A-A-M3	16	M3 x 0.5	24.61	31.87	27.78	2.7/4.2	17.34
B049AF95-18A-A-M2.5	18	M2.5 x 0.45	26.97	34.24	30.10	2.6/4.2	19.71
B049AF95-18A-A-M3	18	M3 x 0.5	26.97	34.24	30.10	2.7/4.2	19.71
B049AF95-20A-A-M2.5	20	M2.5 x 0.45	29.36	38.10	33.15	2.6/4.2	21.97
B049AF95-20A-A-M3	20	M3 x 0.5	29.36	38.10	33.15	2.7/4.2	21.97
B049AF95-22A-A-M2.5	22	M2.5 x 0.45	31.75	40.46	36.27	2.6/4.2	23.04
B049AF95-22A-AM3	22	M3 x 0.5	31.75	40.46	36.27	2.7/4.2	23.04
B049AF95-24A-A-M3.5	24	M3 x 0.5	34.93	44.45	39.62	2.7/4.2	25.40
B049AF95-28A-A-M3	28	M3 x 0.5	39.67	50.80	46.23	2.7/4.2	28.58
B049AF95-28A-A-M4	28	M4 x 0.7	39.67	50.80	46.23	3.5/5.0	28.58
B049AF95-32A-A-M4	32	M4 x 0.7	44.45	58.73	52.37	3.5/5.0	30.18
B049AF95-36A-A-M4	36	M4 x 0.7	49.23	63.50	58.72	3.5/5.0	34.93
B049AF95-40A-A-M3.5	40	M3 x 0.5	55.58	74.30	67.95	2.7/4.2	38.10
B049AF95-40A-A-M4	40	M4 x 0.7	55.58	74.30	67.95	3.5/5.0	38.10

NOTE: All dimensions are in millimeters and symmetrical about centerline

RIGHT ANGLE MOUNTING BRACKET

SCPB90 SERIES



SHELL SIZE	A ±0.25	B ±0.1	C ±0.1	D +0.1	E +0.15
10SL	38.10	18.21	38.10	17.45	3.20
14S	47.63	23.01	38.10	23.80	3.20
16S	47.63	24.61	38.10	26.21	3.20
16	47.63	24.61	38.10	26.21	3.20
18	53.97	26.97	50.80	29.46	3.20
20	57.15	29.41	50.80	33.30	3.20
22	57.15	31.80	50.80	36.50	3.20
24	60.33	34.90	50.80	40.31	3.86
28	66.68	39.70	63.50	47.62	3.86
32	69.85	44.50	63.50	52.37	4.45
36	76.20	49.20	76.20	60.32	4.45
40	82.55	55.60	76.20	65.50	4.45

DIMENSIONS ARE IN MM.

SCP40450, SCP40460

GASKETS FOR FLANGE MOUNT RECEPTACLES

For SCP, SWL & SWLD Series (AS50151 Threaded & Reverse Bayonet Coupling), MIL-DTL-22992

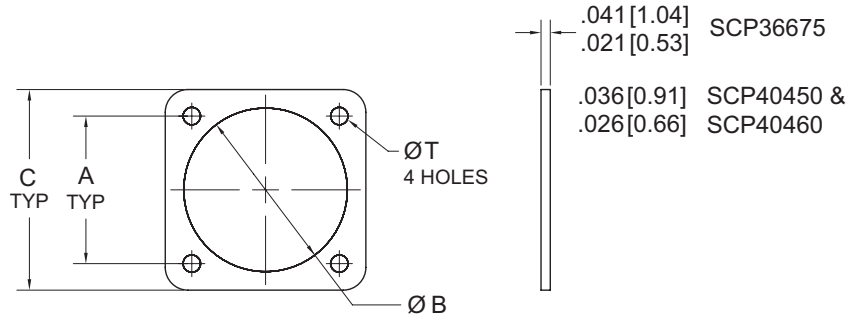
SCP40450 - 20 H

PART NUMBER

SHELL SIZE

MATERIAL

BLANK Neoprene 80 shore.
F Silicone.
FS Silicone with shielded wire mesh.
H Halogen-free.
S Shielded, wire mesh.



AS50151 SHELL TYPES: MS3100*, MS3102*, MS3103*, SCP00*, SCP02*, TBF* FRONT PANEL MOUNT											
AS50151 REVERSE BAYONET SHELL TYPES: SCPB00*, SCPB02*, SCPB020*, SCPBTF* FRONT PANEL MOUNT											
AS50151 REVERSE BAYONET SHELL TYPES: SCPB03*, SCPB030* REAR PANEL MOUNT											
SWL SERIES SHELL TYPES: SCP1070*, SCP1072*, SCP1074*, SCP1079* FRONT PANEL MOUNT											
SWLD SERIES SHELL TYPES: SCP17343, SCP17346 FRONT PANEL MOUNT											
					PART NUMBER (-67°F TO -278°F)	PART NUMBER (0°F TO +257°F) NOTE 2	A ±.010	B +.016 -.000	C +.016 -.000	ØT ±.010	Alternate Part # (See page 13D-2)
8S	-	-	-	-	SCP36675-8	SCP40450-8	.594 [15.09]	.500 [12.70]	.875 [22.23]	.172 [4.37]	930-0890-XXX
10S.10SL	10SL	-	10	-	SCP36675-10	SCP40450-10	.719 [18.26]	.626 [15.90]	1.000 [25.40]	.172 [4.37]	930-1090-XXX
-	-	10SL	-	-	-	SCP40460-10	.719 [18.26]	.717 [18.21]	1.000 [25.40]	.172 [4.37]	930-1091-XXX
12.12S	12S	-	12	-	SCP36675-12	SCP40450-12	.813 [20.65]	.750 [19.05]	1.094 [27.79]	.172 [4.37]	930-1290-XXX
-	-	12.12S	-	-	-	SCP40460-12	.813 [20.65]	.843 [21.40]	1.094 [27.79]	.172 [4.37]	930-1291-XXX
14.14S	14S	-	14	12	SCP36675-14	SCP40450-14	.906 [23.01]	.875 [22.23]	1.188 [30.18]	.172 [4.37]	930-1490-XXX
-	-	14.14S	-	-	-	SCP40460-14	.906 [23.01]	.968 [24.60]	1.188 [30.18]	.172 [4.37]	930-1491-XXX
16.16S	16S	-	16	14	SCP36675-16	SCP40450-16	.969 [24.60]	1.000 [25.40]	1.281 [32.54]	.172 [4.37]	930-1690-XXX
-	-	16.16S	-	-	-	SCP40460-16	.969 [24.60]	1.081 [27.40]	1.281 [32.54]	.172 [4.37]	930-1691-XXX
18	18	-	18	16	SCP36675-18	SCP40450-18	1.062 [27.00]	1.125 [28.58]	1.375 [34.93]	.203 [5.16]	930-1890-XXX
-	-	18	-	-	-	SCP40460-18	1.062 [27.00]	1.213 [30.80]	1.375 [34.93]	.203 [5.16]	930-1891-XXX
20	20	-	20	18	SCP36675-20	SCP40450-20	1.156 [29.36]	1.250 [31.75]	1.500 [38.10]	.203 [5.16]	930-2090-XXX
-	-	20	-	-	-	SCP40460-20	1.156 [29.36]	1.345 [34.20]	1.500 [38.10]	.203 [5.16]	930-2091-XXX
22	22	-	22	20	SCP36675-22	SCP40450-22	1.250 [31.75]	1.375 [34.93]	1.625 [41.28]	.203 [5.16]	930-2290-XXX
-	-	22	-	-	-	SCP40460-22	1.250 [31.75]	1.472 [37.40]	1.625 [41.28]	.203 [5.16]	930-2291-XXX
24	24	-	24	22	SCP36675-24	SCP40450-24	1.375 [34.93]	1.500 [38.10]	1.750 [44.45]	.203 [5.16]	930-2490-XXX
-	-	24	-	-	-	SCP40460-24	1.375 [34.93]	1.610 [40.90]	1.750 [44.45]	.203 [5.16]	930-2491-XXX
28	28	-	28	24	SCP36675-28	SCP40450-28	1.563 [39.70]	1.750 [44.45]	2.000 [50.80]	.203 [5.16]	930-2890-XXX
-	-	28	-	-	-	SCP40460-28	1.563 [39.70]	1.840 [46.70]	2.000 [50.80]	.203 [5.16]	930-2891-XXX
32	32	-	32	28	SCP36675-32	SCP40450-32	1.750 [44.45]	2.000 [50.80]	2.250 [57.15]	.219 [5.56]	930-3290-XXX
-	-	32	-	-	-	SCP40460-32	1.750 [44.45]	2.102 [53.40]	2.250 [57.15]	.219 [5.56]	930-3291-XXX
36	36	-	36	32	SCP36675-36	SCP40450-36	1.938 [49.23]	2.188 [55.58]	2.500 [63.50]	.219 [5.56]	930-3690-XXX
-	-	36	-	-	-	SCP40460-36	1.938 [49.23]	2.345 [59.60]	2.500 [63.50]	.219 [5.56]	930-3691-XXX
40	40	-	40	36	SCP36675-40	SCP40450-40	2.188 [55.58]	2.438 [61.93]	2.750 [69.85]	.219 [5.56]	930-4090-XXX
-	-	40	-	-	-	SCP40460-40	2.188 [55.58]	2.580 [65.50]	2.750 [69.85]	.219 [5.56]	930-4091-XXX
44	-	-	44	40	SCP36675-44	SCP40450-44	2.375 [60.33]	2.688 [68.28]	3.000 [76.20]	.219 [5.56]	930-4490-XXX
48	-	-	48	44	SCP36675-48	SCP40450-48	2.625 [66.68]	2.938 [74.63]	3.250 [82.55]	.219 [5.56]	930-4890-XXX

1. Dimensions in brackets [] are in millimeters.
2. For shielding add "S" after the part number.
3. For silicone material add "FS" after part number

MS25251

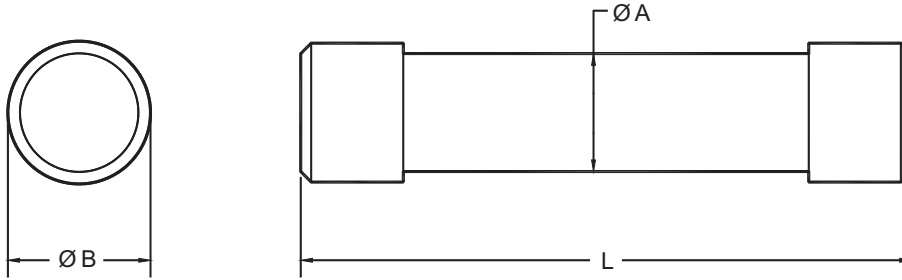
SEALING PLUG

MS25251 - 8

MIL SPEC

DASH NUMBER

See Dimension Table below.



DASH NO.	MAT'L	WIRE SIZE	COLOR	$\varnothing A$ MAX.	$\varnothing B$ MAX.	L MAX.	SUPERSEDED BY REV. L
-8	NYLON	8	WHITE	.200 [5.08]	.235 [5.97]	.479 [12.17]	MS27488-8
-12	NYLON	12	YELLOW	.150 [3.81]	.187 [4.75]	.479 [12.17]	MS27488-12
-16	NYLON	16	BLUE	.115 [2.92]	.152 [3.86]	.479 [12.17]	MS27488-16
-20	NYLON	20	RED	.095 [2.41]	.122 [3.10]	.385 [9.78]	MS27488-20

1. DIMENSIONS IN BRACKETS [] ARE IN MILLIMETERS.

MS27488 REV L

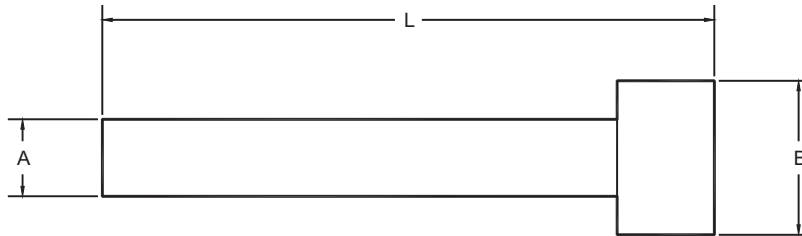
SEALING PLUG

MS27488 - 4

MIL SPEC

DASH NUMBER

See Dimension Table below.



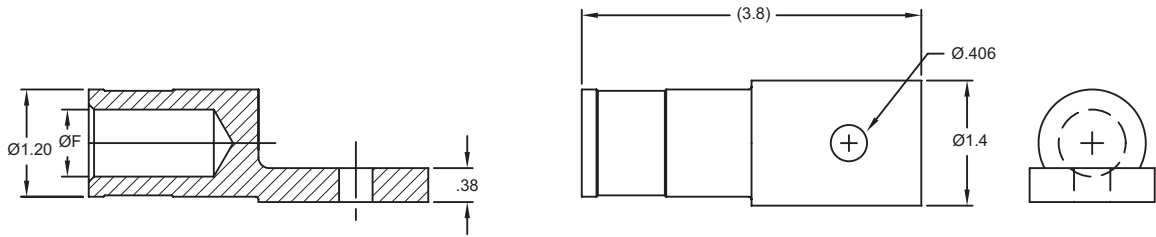
DASH NO.	MAT'L	WIRE SIZE	COLOR	$\varnothing A$ MAX.	$\varnothing B$ MAX.	L MAX.
-0	TEFLON	0	YELLOW	.450 [11.43]	.610 [15.49]	1.010 [25.65]
-4	TEFLON	4	BLUE	.320 [8.13]	.420 [10.67]	.480 [12.19]
-8	TEFLON	8	RED	.195 [4.95]	.320 [8.13]	.480 [12.19]
-12	TEFLON	12	YELLOW	.131 [3.33]	.176 [4.47]	.584 [14.83]
-16	TEFLON	16	BLUE	.093 [2.36]	.138 [3.51]	.584 [14.83]
-20	TEFLON	20	RED	.065 [1.65]	.100 [2.54]	.584 [14.83]
-22	TEFLON	22	BLACK	.045 [1.14]	.068 [1.73]	.500 [12.70]

1. DIMENSIONS IN BRACKETS [] ARE IN MILLIMETERS.

TERMINAL LUGS

SINGLE HOLE

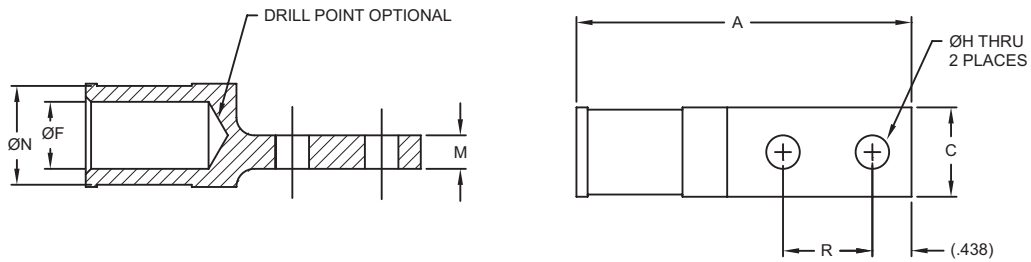
SINGLE HOLE TERMINAL LUGS



PART NUMBER	CABLE SIZE	ØF
998-9775-996	775/24	.752
998-9925-996	925/24	.813

DOUBLE HOLE

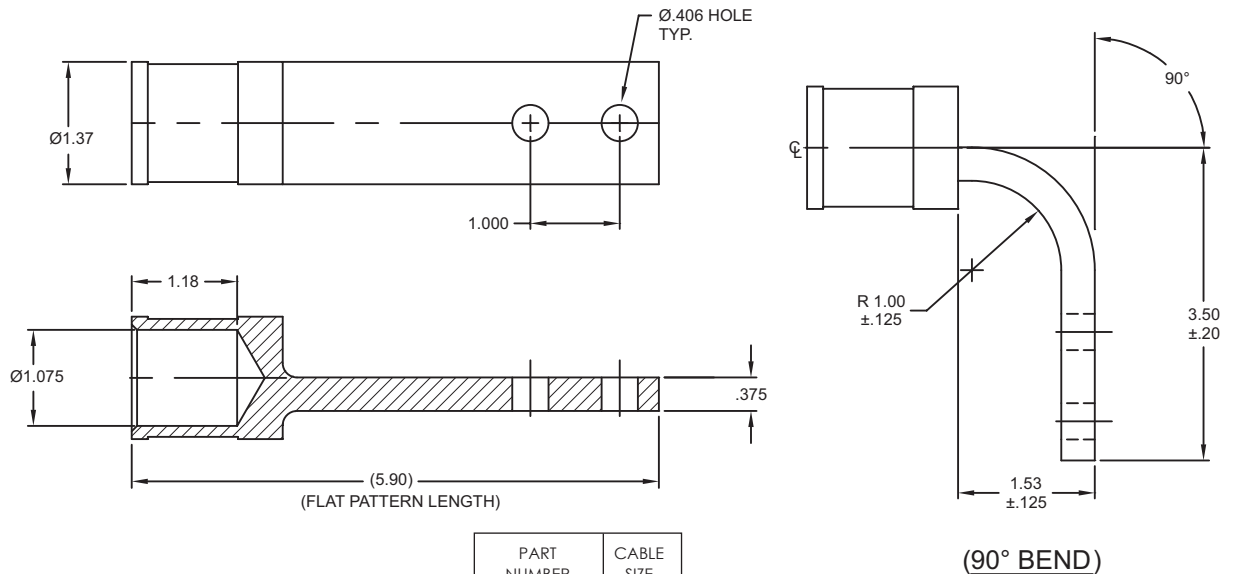
DOUBLE HOLE TERMINAL LUGS



PART NUMBER	CABLE SIZE	A	C	ØF	ØH	M	N	R
SCPMD275	275/24	±.094	MAX	±.03	±.015	±.039	±.030	±.015
SCPMD775	775/24	3.000	.72	.435	.343	.203	.689	.875
SCPMD1600	1600/24	3.250	1.00	.732	.343	.203	.953	.875
		3.750	1.38	1.062	.406	.375	1.344	1.000

DOUBLE HOLE/90° FOR 1600/24 WIRE

DOUBLE HOLE TERMINAL LUGS - 90 DEGREE FOR 1600/24 WIRE



PART NUMBER	CABLE SIZE
998-1684-994	1600/24

6C

TERMINATION BANDS

These Bands are commonly used to attach a braid or a shield to a backshell. They come in two shapes: Coiled or flat.

To provide our customers with a cost effective solution, Spacecraft Components now manufactures Termination Bands and is qualified to the M85049/128 specification.

Shown below is a summary of the various bands and their respective tools.

ELECTRO-ADAPTER	SHAPE	SIZE	SCP P/N	MILITARY REFERENCE	MILITARY TOOL	NON MILITARY APPLICATIONS	
						ELECTRO-ADAPTER TOOL	DANIELS TOOL
214LF002	Flat	.245 x 14.0	SCPSE-02F	M85049/128-1	M81306/2-01▲	EAK214-25▲	DBS-1101▲
214L0002	Coiled		SCPSE-02C	M85049/128-2			

BAND-IT®	SHAPE	SIZE	SCP P/N	MILITARY REFERENCE	MILITARY TOOLS	NON MILITARY APPLICATIONS		
						BAND-IT® TOOLS	DANIELS TOOLS	GLENAIR TOOLS
A10089	Flat	.242 x 14.25	SCPBE-02F	M85049/128-3	M81306/1-01●	A40199●	DBS-2100●	600-058●
A10088	Coiled		SCPBE-02C	M85049/128-4				
A11089	Flat	.242 x 18.00	N/A	N/A				
A31189*	Flat	.120 x 8.125	SCPBE-04F	M85049/128-7	M81306/1-02●	A30199●	DBS-2200●	600-061●
A31188*	Coiled		SCPBE-04C	M85049/128-8				
A31089*	Flat		.120 x 14.30	SCPBE-03F				

* Mini Band

GLENAIR	SHAPE	SIZE	SCP P/N	MILITARY REFERENCE	MILITARY TOOLS	NON MILITARY APPLICATIONS		
						GLENAIR TOOLS	BAND-IT® TOOLS	DANIELS TOOLS
600-052	Flat	.242 x 14.25	SCPBE-02F	M85049/128-3	M81306/1-01●	600-058●	A40199●	DBS-2100●
600-052-1	Coiled		SCPBE-02C	M85049/128-4				
600-090	Flat	.245 x 18.0	N/A	N/A	M81306/1-01●	600-058●	A40199●	DBS-2100●
600-090-1	Coiled							
600-057*	Flat	.120 x 8.125	SCPBE-04F	M85049/128-7	M81306/1-02●	600-061●	A30199●	DBS-2200●
600-057-1*	Coiled		SCPBE-04C	M85049/128-8				
600-083*	Flat	.120 x 14.30	SCPBE-03F	N/A	M81306/1-02●	600-061●	A30199●	DBS-2200●
600-083-1*	Coiled		SCPBE-03C					

* Mini Band

Band-It® and Glenair bands work in the DBS or STS Tools, but two operations are required (terminate and fold-over) rather than the one operation (terminate/trim). DBS or STS-1101, and 1201 tools include both the termination tool and the secondary roll-over tool.

SUNBANK	SHAPE	SIZE	SCP P/N	MILITARY REFERENCE	MILITARY TOOLS	NON MILITARY APPLICATIONS	
						SUNBANK TOOLS	DANIELS TOOLS
S 3175-2	Flat	.245 x 14.00	SCPSE-02F	M85049/128-1	M81306/2-01▲	STS-1101▲	DBS-1101▲
S 3175-2C	Coiled		SCPSE-02C	M85049/128-2			
S 3175-3*	Flat	.118 x 9.50	SCPSE-04F	M85049/128-5	M81306/2-02▲	STS-1201▲	DBS-1201▲
S 3175-3C*	Coiled		SCPSE-04C	M85049/128-6			
S 3175-4*	Flat	.118 x 14.25	SCPSE-03F	N/A	M81306/2-02▲	STS-1201▲	DBS-1201▲
S 3175-4C*	Coiled		SCPSE-03C				

* Mini Band

DBS or STS-1101 and 1201 tools include both the termination tool and the secondary roll-over tool.

MILITARY REFERENCE

MILITARY	SHAPE	SIZE	SCP P/N	MILITARY TOOLS	NON MILITARY APPLICATIONS			
					Band-It®	Daniels	Glenair	Sunbank
M85049/128-1	Flat	.245 x 14.00	SCPSE-02F	M81306/2-01▲	-	DBS-1101▲	-	STS-1101▲
M85049/128-2	Coiled		SCPSE-02C					
M85049/128-3	Flat	.242 x 14.25	SCPBE-02F	M81306/1-01●	A40199●	DBS-2100●	600-058●	-
M85049/128-4	Coiled		SCPBE-02C					
M85049/128-5*	Flat	.118 x 9.50	SCPSE-04F	M81306/2-02▲	-	DBS-1201▲	-	STS-1201▲
M85049/128-6*	Coiled		SCPSE-04C					
M85049/128-7*	Flat	.120 x 8.125	SCPBE-04F	M81306/1-02●	A30199●	DBS-2200●	600-061●	-
M85049/128-8*	Coiled		SCPBE-04C					

* M85049/128-5, -6, -7, -8 are proposed.

● One Step Tool
▲ Two Step Tool

® Band-It® is a registered trademark of Band-It-INDEX, Inc., a division of IDEX Corporation, of which Spacecraft Components Corp. is not affiliated.

TERMINATION BANDS (.250 WIDE)

M85049/128

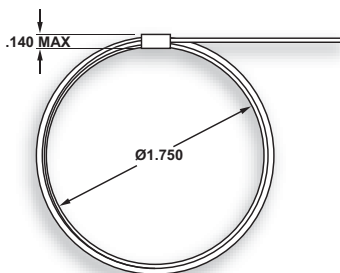


M85049/128-2

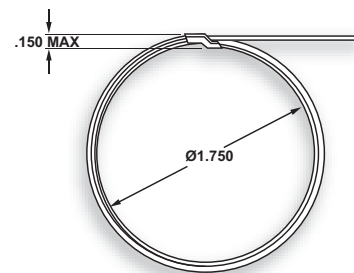
M85049/128-1 & M85049/128-2
SCPSE-02F & SCPSE-02C
TERMINATION TOOLS:
DANIELS: DBS-1101▲
SUNBANK: STS-1101▲
M81306/2-01▲

M85049/128-3 & M85049/128-4
SCPBE-02F & SCPBE-02C
TERMINATION TOOLS:
BAND-IT®: A40199●
DANIELS: DBS-1101▲
DBS-2100●
GLENAIR: 600-058●
M81306/1-01●

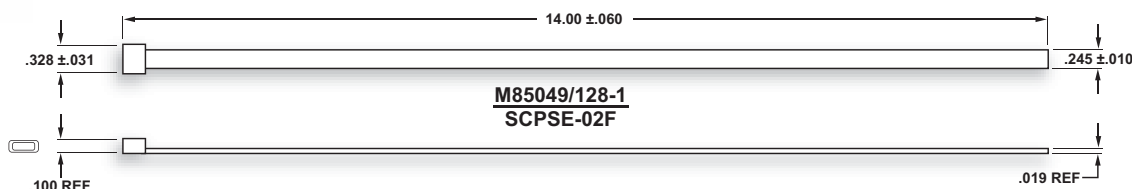
- One Step Tool
- ▲ Two Step Tool



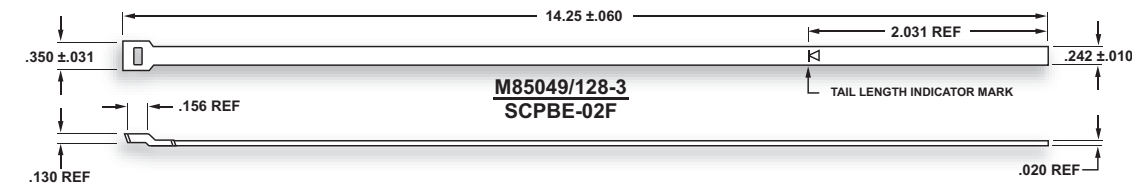
M85049/128-2
SCPSE-02C



M85049/128-4
SCPBE-02C



M85049/128-1
SCPSE-02F



M85049/128-3
SCPBE-02F

MINI-BANDS (.120 WIDE)

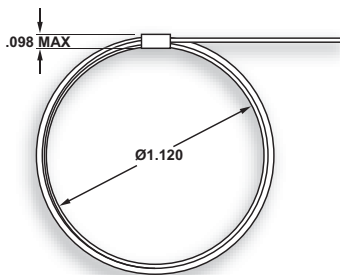


M85049/128-8

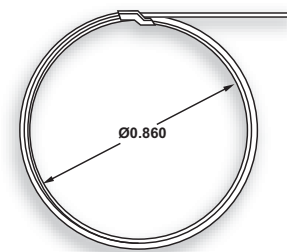
M85049/128-5 & M85049/128-6
SCPSE-04F & SCPSE-04C
SCPSE-03F & SCPSE-03C
TERMINATION TOOLS:
DANIELS: DBS-1201▲
SUNBANK: STS-1201▲
M81306/2-02▲

M85049/128-7 & M85049/128-8
SCPBE-04F & SCPBE-04C
SCPBE-03F & SCPBE-03C
TERMINATION TOOLS:
BAND-IT®: A30199●
DANIELS: DBS-1201▲
DBS-2200●
GLENAIR: 600-061●
M81306/1-02●

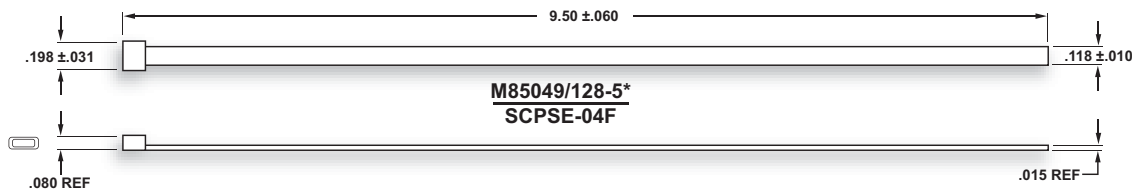
- One Step Tool
- ▲ Two Step Tool



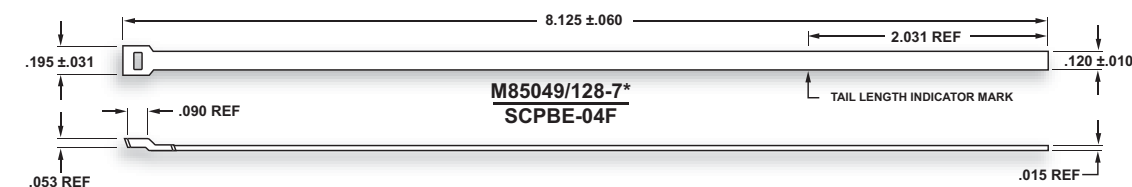
M85049/128-6*
SCPSE-04C



M85049/128-8*
SCPBE-04C



M85049/128-5*
SCPSE-04F



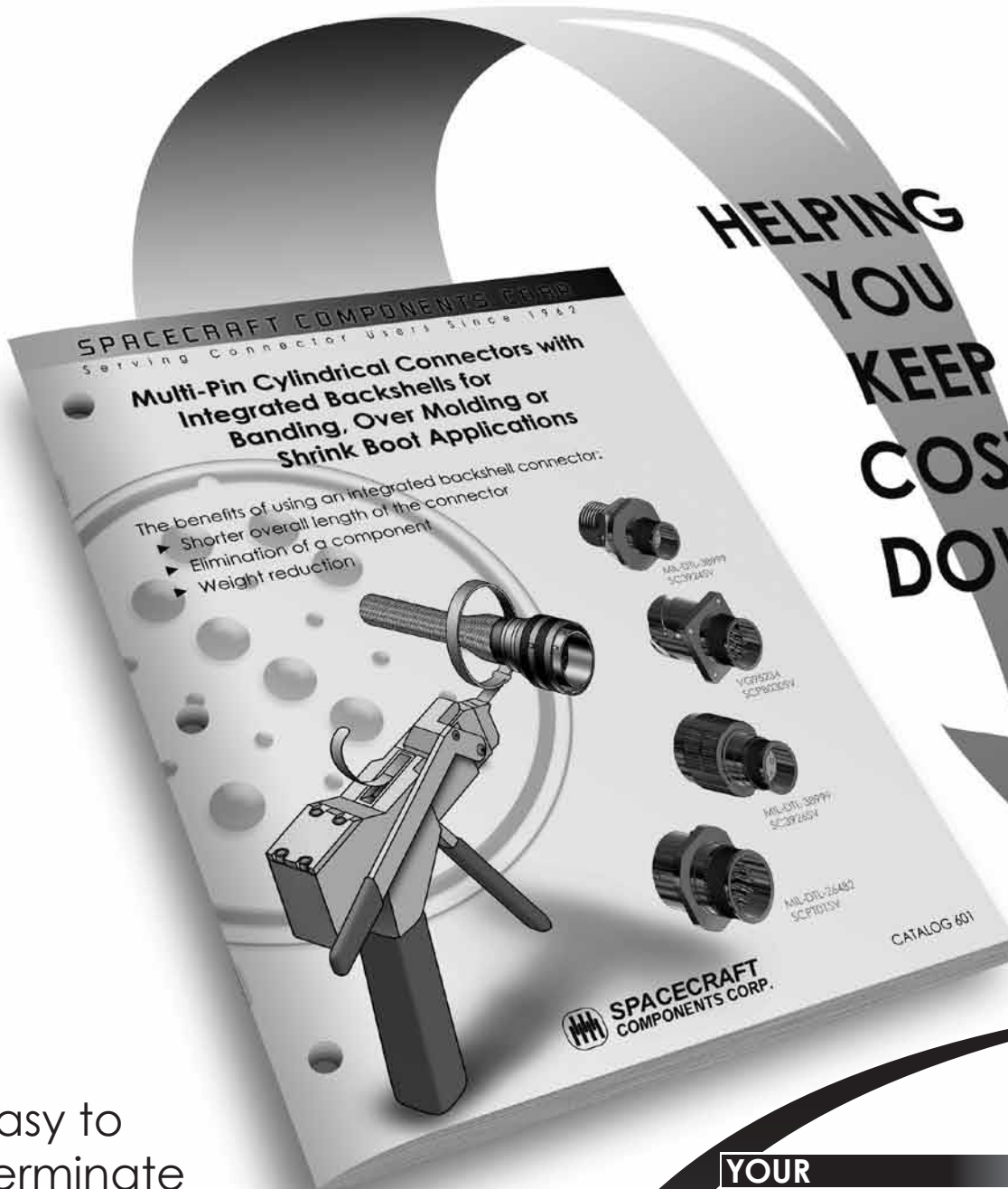
M85049/128-7*
SCPBE-04F

* M85049/128-5, -6, -7, -8 are proposed.

© Band-It® is a registered trademark of Band-It-IDEX, Inc., a division of IDEX Corporation, of which Spacecraft Components Corp. is not affiliated.

INTEGRATED BACKSHELLS

HELPING
YOU
KEEP
COSTS
DOWN



Easy to
Terminate

Secure Tension
Locking System

 Made in America
by American Workers

YOUR
**CONNECTOR
CONSULTANT**
SINCE 1962

 **SPACECRAFT
COMPONENTS CORP.**

702.851.7600

SECTION 7C

CROSS REFERENCE/INDEX

CROSS REFERENCE/INDEX

A12-4★ ★ ★ ★ -★	Size 8 Coaxial Pin Contact.....	3C-11
ABCIR00★	Reverse Bayonet Wall Mount Receptacle (SCPB00★)	1C-4
ABCIR01★	Reverse Bayonet In-Line Receptacle (SCPB01★)	1C-4
ABCIR02★	Reverse Bayonet Box Mount Receptacle (SCPB02★).....	1C-4
ABCIR03★	Reverse Bayonet Box Mount Receptacle (SCPB03★).....	1C-4
ABCIR05★	Reverse Bayonet Dummy Receptacle (SCPB05★).....	1C-4
ABCIR06★	Reverse Bayonet Straight Plug (SCPB06★).....	1C-4
ABCIR07★	Reverse Bayonet Jam Nut Receptacle (SCPB07★)	1C-4
ABCIR08★	Reverse Bayonet 90 Degree Plug (SCPB08★).....	1C-4
ABCIR020★	Reverse Bayonet Wall Mount Receptacle (SCPB020★)	1C-4
ABCIR030★	Reverse Bayonet Wall Mount Receptacle (SCPB030★)	1C-4
ABCIR038★	Reverse Bayonet 90 Degree Wall Mount Receptacle (SCPB038★).....	1C-4
ABCIR064★	Reverse Bayonet Panel Mount Plug (SCPB064★)	1C-4
ABCIR065★	Reverse Bayonet Straight Plug (SCPB065★).....	1C-4
ABCIR070★	Reverse Bayonet Jam Nut Receptacle (SCPB070★)	1C-4
ABCIRTB★	Reverse Bayonet Thru-Bulkhead Receptacle (SCPBTB★)	1C-4
ACC00★	Reverse Bayonet Wall Mount Receptacle (SCPB00★F80).....	1C-4
ACC01★	Reverse Bayonet In-Line Receptacle (SCPB01★ F80).....	1C-4
ACC06★	Reverse Bayonet Straight Plug (SCPB06★ F80)	1C-4
ACC08★	Reverse Bayonet 90 Degree Plug (SCPB08★ F80).....	1C-4
ACS00★	Reverse Bayonet Wall Mount Receptacle (SCPB00★)	1C-4
ACS01★	Reverse Bayonet In-Line Receptacle (SCPB01★)	1C-4
ACS06★	Reverse Bayonet Straight Plug (SCPB06★).....	1C-4
ACS08★	Reverse Bayonet 90 Degree Plug (SCPB08★).....	1C-4
B049AF95	Nut Plate, ¾ Mount	6C-10
BFILA	Conduit.....	1C-31
BFILB	Conduit.....	1C-30 & 31
BFILJ	Conduit.....	1C-30
BFILM	Conduit.....	1C-30 & 31
BVIRA	Conduit.....	1C-30 & 31
BVIVG	Conduit.....	1C-30 & 31
CA00COM★B	Reverse Bayonet Wall Mount Receptacle (SCPB00★)	1C-4
CA01COM★B	Reverse Bayonet In-Line Receptacle (SCPB01★)	1C-4
CA02COM★B	Reverse Bayonet Box Mount Receptacle (SCPB02★).....	1C-4
CA06COM★B	Reverse Bayonet Straight Plug (SCPB06★).....	1C-4
CA20COM★B	Reverse Bayonet Box Mount Receptacle (SCPB03★).....	1C-4
CA3100★-B	Reverse Bayonet Wall Mount Receptacle (SCPBS00★).....	1C-4
CA3101★-B	Reverse Bayonet In-Line Receptacle (SCPBS01★)	1C-4
CA3102★-B	Reverse Bayonet Wall Mount Receptacle (SCPBS02★).....	1C-4
CA3106★-B	Reverse Bayonet Straight Plug (SCPBS06★).....	1C-4
CA3108★-B	Reverse Bayonet 90 Degree Plug (SCPBS08★)	1C-4
CAR0★-B	Reverse Bayonet Wall Mount Receptacle (SCPB00★)	1C-4
CAR1★-B	Reverse Bayonet In-Line Receptacle (SCPB01★)	1C-4
CAR2★-B	Reverse Bayonet Box Mount Receptacle (SCPB02★).....	1C-4
CAR3★-B	Reverse Bayonet Box Mount Receptacle (SCPB03★).....	1C-4
CAR6★-B	Reverse Bayonet Straight Plug (SCPB06★).....	1C-4
CAR8★-B	Reverse Bayonet 90 Degree Plug (SCPB08★).....	1C-4
CAR20★-B	Reverse Bayonet Wall Mount Receptacle (SCPB020★)	1C-4
CAR30★-B	Reverse Bayonet Wall Mount Receptacle (SCPB030★)	1C-4
CATBF★-B	Reverse Bayonet Thru-Bulkhead Receptacle (SCPBTB★)	1C-4
CIR00★	Reverse Bayonet Wall Mount Receptacle (SCPB00★)	1C-4
CIR01★	Reverse Bayonet In-Line Receptacle (SCPB01★)	1C-4
CIR02★	Reverse Bayonet Box Mount Receptacle (SCPB02★).....	1C-4
CIR03★	Reverse Bayonet Box Mount Receptacle (SCPB03★).....	1C-4
CIR06★	Reverse Bayonet Straight Plug (SCPB06★).....	1C-4
CIR07★	Reverse Bayonet Jam Nut Receptacle (SCPB07★)	1C-4
CIR08★	Reverse Bayonet 90 Degree Plug (SCPB08★).....	1C-4
CIR020★	Reverse Bayonet Wall Mount Receptacle (SCPB020★)	1C-4
CIR030★	Reverse Bayonet Wall Mount Receptacle (SCPB030★)	1C-4
CIR038★	Reverse Bayonet Wall Mount Receptacle (SCPB038★)	1C-4
CIR064★	Reverse Bayonet Panel Mount Plug (SCPB064★)	1C-4
CIR065★	Reverse Bayonet Straight Plug (SCPB065★).....	1C-4
CIR070★	Reverse Bayonet Jam Nut Receptacle (SCPB070★)	1C-4
CIRTB★	Reverse Bayonet Thru-Bulkhead Receptacle (SCPBTB★)	1C-4
CS0E19FP★	Panel Mount Receptacle	1C-92
CS0E19FV★	In-Line Receptacle.....	1C-92
CS0E19MP★	Panel Mount Plug.....	1C-92

★ Indicates additional alpha-numeric are required to complete part number



CS0E19MV★	Straight Plug.....	1C-92
CS0X19FP★	Panel Mount Receptacle	1C-92
CS0X19FV★	In-Line Receptacle.....	1C-92
CS0X19MP★	Panel Mount Plug.....	1C-92
CS0X19MV★	Straight Plug.....	1C-92
D12-4★★★-★	Size 8 Coaxial Socket Contact.....	3C-11
DCP19*	Dust Cup for Plug	6C-8
DCR19*	Dust Cap for Receptacle	6C-9
DRP19*	Dummy Receptacle	6C-7
FRITS02PP	Reverse Bayonet Thru-Bulkhead Receptacle (SCPBTB-*)	1C-4
FRITS3100A	Reverse Bayonet Wall Mount Receptacle (SCPBH00A)	1C-4
FRITS3100F	Reverse Bayonet Wall Mount Receptacle (SCPBH00LF).....	1C-4
FRITS3100G	Reverse Bayonet Wall Mount Receptacle (SCPBH00G).....	1C-4
FRITS3100GR	Reverse Bayonet Wall Mount Receptacle (SCPBH00G2G)	1C-4
FRITS3100R	Reverse Bayonet Wall Mount Receptacle (SCPBH00R).....	1C-4
FRITS3100RS	Reverse Bayonet Wall Mount Receptacle (SCPBH00RV)	1C-4
FRITS3100SP	Reverse Bayonet Wall Mount Receptacle (SCPBH00SB)	1C-4
FRITS3101A	Reverse Bayonet In-Line Receptacle (SCPBH01A)	1C-4
FRITS3101F	Reverse Bayonet In-Line Receptacle (SCPBH01LF).....	1C-4
FRITS3101G	Reverse Bayonet In-Line Receptacle (SCPBH01G).....	1C-4
FRITS3101GR	Reverse Bayonet In-Line Receptacle (SCPBH01G2G).....	1C-4
FRITS3101R	Reverse Bayonet In-Line Receptacle (SCPBH01R).....	1C-4
FRITS3101RS	Reverse Bayonet In-Line Receptacle (SCPBH01RV)	1C-4
FRITS3101SP	Reverse Bayonet In-Line Receptacle (SCPBH01SB)	1C-4
FRITS3102A	Reverse Bayonet Box Mount Receptacle (SCPBH02R)	1C-4
FRITS3102E	Reverse Bayonet Box Mount Receptacle (SCPBH02R)	1C-4
FRITS3102R	Reverse Bayonet Box Mount Receptacle (SCPBH02R)	1C-4
FRITS3102Y	Reverse Bayonet Box Mount Receptacle (SCPBH02YM).....	1C-4
FRITS31030A	Reverse Bayonet Wall Mount Receptacle (SCPBH030A)	1C-4
FRITS31030F	Reverse Bayonet Wall Mount Receptacle (SCPBH030LF).....	1C-4
FRITS31030G	Reverse Bayonet Wall Mount Receptacle (SCPBH030G)	1C-4
FRITS31030GR	Reverse Bayonet Wall Mount Receptacle (SCPBH030G2G).....	1C-4
FRITS31030RS	Reverse Bayonet Wall Mount Receptacle (SCPBH030RV)	1C-4
FRITS31030SP	Reverse Bayonet Wall Mount Receptacle (SCPBH030SB)	1C-4
FRITS3103A	Reverse Bayonet Box Mount Receptacle (SCPBH03R)	1C-4
FRITS3103R	Reverse Bayonet Box Mount Receptacle (SCPBH03R)	1C-4
FRITS3103Y	Reverse Bayonet Box Mount Receptacle (SCPBH03YM).....	1C-4
FRITS3106A	Reverse Bayonet Straight Plug (SCPBH06A).....	1C-4
FRITS3106F	Reverse Bayonet Straight Plug (SCPBH06LF).....	1C-4
FRITS3106G	Reverse Bayonet Straight Plug (SCPBH06G).....	1C-4
FRITS3106GR	Reverse Bayonet Straight Plug (SCPBH06G2G)	1C-4
FRITS3106RS	Reverse Bayonet Straight Plug (SCPBH06RV).....	1C-4
FRITS3106SP	Reverse Bayonet Straight Plug (SCPBH06SB)	1C-4
FRITS31070A	Reverse Bayonet Jam Nut Receptacle (SCPBH070R).....	1C-4
FRITS31070R	Reverse Bayonet Jam Nut Receptacle (SCPBH070R).....	1C-4
FRITS31078A	Reverse Bayonet Wall Mount Receptacle (SCPBH038A)	1C-4
FRITS31078R	Reverse Bayonet Wall Mount Receptacle (SCPBH038R)	1C-4
FRITS3107A	Reverse Bayonet Jam Nut Receptacle (SCPBH07R).....	1C-4
FRITS3107R	Reverse Bayonet Jam Nut Receptacle (SCPBH07R).....	1C-4
FRITS3108A	Reverse Bayonet 90 Degree Plug (SCPBH07R).....	1C-4
FRITS3108F	Reverse Bayonet 90 Degree Plug (SCPBH08F).....	1C-4
FRITS3108GR	Reverse Bayonet 90 Degree Plug (SCPBH08G).....	1C-4
FRITS3108R	Reverse Bayonet 90 Degree Plug (SCPBH08R).....	1C-4
FRITS3108SP	Reverse Bayonet 90 Degree Plug (SCPBH08SB).....	1C-4
FRITS3126A	Reverse Bayonet Panel Mount Plug (SCPBH064PP).....	1C-4
FRITS3126R	Reverse Bayonet Panel Mount Plug (SCPBH064PP).....	1C-4
FRITS4100A*	Reverse Bayonet Wall Mount Receptacle (SCPBH00A*(F80)	1C-4
FRITS4100F*	Reverse Bayonet Wall Mount Receptacle (SCPBH00LF*(F80)	1C-4
FRITS4100R*	Reverse Bayonet Wall Mount Receptacle (SCPBH00R*(F80)	1C-4
FRITS4100RS*	Reverse Bayonet Wall Mount Receptacle (SCPBH00RV*(F80).....	1C-4
FRITS4100SP*	Reverse Bayonet Wall Mount Receptacle (SCPBH00SB*(F80).....	1C-4
FRITS4101A*	Reverse Bayonet In-Line Receptacle (SCPBH01A*(F80).....	1C-4
FRITS4101F*	Reverse Bayonet In-Line Receptacle (SCPBH01LF*(F80)	1C-4
FRITS4101G*	Reverse Bayonet In-Line Receptacle (SCPBH01G*(F80).....	1C-4
FRITS4101GR*	Reverse Bayonet In-Line Receptacle (SCPBH01G2G*(F80)	1C-4
FRITS4101R*	Reverse Bayonet In-Line Receptacle (SCPBH01R*(F80).....	1C-4
FRITS4101RS*	Reverse Bayonet In-Line Receptacle (SCPBH01RV*(F80).....	1C-4

★ Indicates additional alpha-numeric are required to complete part number

CROSS REFERENCE/INDEX

FRITS4101SP*	Reverse Bayonet In-Line Receptacle (SCPBH01SB*(F80).....	1C-4
FRITS4102A*	Reverse Bayonet Box Mount Receptacle (SCPBH02A*(F80).....	1C-4
FRITS4102E*	Reverse Bayonet Box Mount Receptacle (SCPBH02E*(F80).....	1C-4
FRITS4102R*	Reverse Bayonet Box Mount Receptacle (SCPBH02R*(F80).....	1C-4
FRITS4102Y*	Reverse Bayonet Box Mount Receptacle (SCPBH02YM*(F80).....	1C-4
FRITS4103A*	Reverse Bayonet Box Mount Receptacle (SCPBH03A*(F80).....	1C-4
FRITS4103R*	Reverse Bayonet Box Mount Receptacle (SCPBH03R*(F80).....	1C-4
FRITS4103Y*	Reverse Bayonet Box Mount Receptacle (SCPBH03YM*(F80).....	1C-4
FRITS41030A*	Reverse Bayonet Wall Mount Receptacle (SCPBH030A*(F80).....	1C-4
FRITS41030F*	Reverse Bayonet Wall Mount Receptacle (SCPBH030LF*(F80).....	1C-4
FRITS41030G*	Reverse Bayonet Wall Mount Receptacle (SCPBH030G*(F80).....	1C-4
FRITS41030GR*	Reverse Bayonet Wall Mount Receptacle (SCPBH030G2G*(F80).....	1C-4
FRITS41030R*	Reverse Bayonet Wall Mount Receptacle (SCPBH030R*(F80).....	1C-4
FRITS41030RS*	Reverse Bayonet Wall Mount Receptacle (SCPBH030RV*(F80).....	1C-4
FRITS41030SP*	Reverse Bayonet Wall Mount Receptacle (SCPBH030SB*(F80).....	1C-4
FRITS41038A*	Reverse Bayonet Wall Mount Receptacle (SCPBH038A*(F80).....	1C-4
FRITS41038R*	Reverse Bayonet Wall Mount Receptacle (SCPBH038R*(F80).....	1C-4
FRITS4106A*	Reverse Bayonet Straight Plug (SCPBH06A*(F80).....	1C-4
FRITS4106F*	Reverse Bayonet Straight Plug (SCPBH06LF*(F80).....	1C-4
FRITS4106G*	Reverse Bayonet Straight Plug (SCPBH06G*(F80).....	1C-4
FRITS4106GR*	Reverse Bayonet Straight Plug (SCPBH06G2G*(F80).....	1C-4
FRITS4106R*	Reverse Bayonet Straight Plug (SCPBH06R*(F80).....	1C-4
FRITS4106RS*	Reverse Bayonet Straight Plug (SCPBH06RV*(F80).....	1C-4
FRITS4106SP*	Reverse Bayonet Straight Plug (SCPBH06SB*(F80).....	1C-4
FRITS4107A*	Reverse Bayonet Jam Nut Receptacle (SCPBH07R*(F80).....	1C-4
FRITS41078A*	Reverse Bayonet Jam Nut Receptacle (SCPBH078RR*(F80).....	1C-4
FRITS41078R*	Reverse Bayonet Jam Nut Receptacle (SCPBH078RR*(F80).....	1C-4
FRITS4108A*	Reverse Bayonet 90 Degree Plug (SCPBH08A*(F80).....	1C-4
FRITS4108F*	Reverse Bayonet 90 Degree Plug (SCPBH08F*(F80).....	1C-4
FRITS4108GR*	Reverse Bayonet 90 Degree Plug (SCPBH08G2G*(F80).....	1C-4
FRITS4108R*	Reverse Bayonet 90 Degree Plug (SCPBH08R*(F80).....	1C-4
FRITS4108SP*	Reverse Bayonet 90 Degree Plug (SCPBH08SB*(F80).....	1C-4
FRITS4126A*	Reverse Bayonet Wall Mount Plug (SCPBH064PP*(F80).....	1C-4
FRITS4126R*	Reverse Bayonet Wall Mount Plug (SCPBH064PP*(F80).....	1C-4
FRITSG3106A*NO**	Reverse Bayonet Straight Plug (SCPBH06-*).....	1C-4
FRITSG4106A*NO**	Reverse Bayonet Straight Plug (SCPBH06-*(F80).....	1C-4
GTC00★	Reverse Bayonet Wall Mount Receptacle (SCP00★F80).....	1C-4
GTC01★	Reverse Bayonet In-Line Receptacle (SCP01★F80).....	1C-4
GTC02★	Reverse Bayonet Box Mount Receptacle (SCP02★F80).....	1C-4
GTC06★	Reverse Bayonet Straight Plug (SCP06★F80).....	1C-4
GTC07★	Reverse Bayonet Jam Nut Receptacle (SCP07★F80).....	1C-4
GTC08★	Reverse Bayonet 90 Degree Plug (SCP08★F80).....	1C-4
GTC020★	Reverse Bayonet Wall Mount Receptacle (SCP020★F80).....	1C-4
GTC030★	Reverse Bayonet Wall Mount Receptacle (SCP030★F80).....	1C-4
GTC070★	Reverse Bayonet Jam Nut Receptacle (SCP070★F80).....	1C-4
GTS00★	Reverse Bayonet Wall Mount Receptacle (SCP00★).....	1C-4
GTS01★	Reverse Bayonet In-Line Receptacle (SCP01★).....	1C-4
GTS02★	Reverse Bayonet Box Mount Receptacle (SCP02★).....	1C-4
GTS06★	Reverse Bayonet Straight Plug (SCP06★).....	1C-4
GTS07★	Reverse Bayonet Jam Nut Receptacle (SCP07★).....	1C-4
GTS08★	Reverse Bayonet 90 Degree Plug (SCP08★).....	1C-4
GTS020★	Reverse Bayonet Wall Mount Receptacle (SCP020★).....	1C-4
GTS030★	Reverse Bayonet Wall Mount Receptacle (SCP030★).....	1C-4
GTS070★	Reverse Bayonet Jam Nut Receptacle (SCP070★).....	1C-4
IT3057*A	Cable Clamp (MS3057*A).....	(Catalog 401)
IT3057*C	Cable Clamp (MS3057*C).....	(Catalog 401)
IT3100A	Threaded Wall Mount Receptacle (SCP00A).....	(Catalog 102)
IT3100F	Threaded Wall Mount Receptacle (SCP00D).....	(Catalog 102)
IT3100R	Threaded Wall Mount Receptacle (SCP00R).....	(Catalog 102)
IT3101A	Threaded In-Line Receptacle (SCP01A).....	(Catalog 102)
IT3101F	Threaded In-Line Receptacle (SCP01D).....	(Catalog 102)
IT3101R	Threaded In-Line Receptacle (SCP01R).....	(Catalog 102)
IT3102A	Reverse Bayonet Threaded Box Mount Receptacle (SCP02Z).....	(Catalog 102)
IT3102E	Reverse Bayonet Threaded Box Mount Receptacle (SCP02Y).....	(Catalog 102)
IT3102R	Reverse Bayonet Threaded Box Mount Receptacle (SCP02Y).....	(Catalog 102)
IT3102Y	Reverse Bayonet Threaded Box Mount Receptacle (SCP09).....	(Catalog 102)
IT3106A	Reverse Bayonet Threaded Straight Plug (SCP06A).....	(Catalog 102)

★ Indicates additional alpha-numeric are required to complete part number



IT3106F	Reverse Bayonet Threaded Straight Plug (SCP06D).....	(Catalog 102)
IT3106G	Reverse Bayonet Threaded Straight Plug (SCP06N).....	(Catalog 102)
IT3106GR	Reverse Bayonet Threaded Straight Plug (SCP06G2G).....	(Catalog 102)
IT3106R	Reverse Bayonet Threaded Straight Plug (SCP06R).....	(Catalog 102)
IT3106SP	Reverse Bayonet Threaded Straight Plug (SCP06NR).....	(Catalog 102)
IT3108A	Reverse Bayonet Threaded 90 Degree Plug (SCP08A).....	(Catalog 102)
IT3108F	Reverse Bayonet Threaded 90 Degree Plug (SCP08F).....	(Catalog 102)
IT3108R	Reverse Bayonet Threaded 90 Degree Plug (SCP08R).....	(Catalog 102)
IT3420-*	Rubber Bushing (MS3420-*).....	(Catalog 401)
IT3420-*A	Rubber Bushing (MS3420-*A).....	(Catalog 401)
IT4100A	Threaded Wall Mount Receptacle (SCP00A*-F80).....	(Catalog 102)
IT4100F	Threaded Wall Mount Receptacle (SCP00D*-F80).....	(Catalog 102)
IT4100R	Threaded Wall Mount Receptacle (SCP00R*-F80).....	(Catalog 102)
IT4101A	Threaded In-Line Receptacle (SCP01A*-F80).....	(Catalog 102)
IT4101F	Threaded In-Line Receptacle (SCP01D*-F80).....	(Catalog 102)
IT4101R	Threaded In-Line Receptacle (SCP01R*-F80).....	(Catalog 102)
IT4102A	Threaded Box Mount Receptacle (SCP02Z*-F80).....	(Catalog 102)
IT4102E	Threaded Box Mount Receptacle (SCP02Y*-F80).....	(Catalog 102)
IT4102R	Threaded Box Mount Receptacle (SCP02Y*-F80).....	(Catalog 102)
IT4102Y	Threaded Box Mount Receptacle (SCP09*-F80).....	(Catalog 102)
IT4106A	Threaded Straight Plug (SCP06A*-F80).....	(Catalog 102)
IT4106F	Threaded Straight Plug (SCP06D*-F80).....	(Catalog 102)
IT4106G	Threaded Straight Plug (SCP06N*-F80).....	(Catalog 102)
IT4106GR	Threaded Straight Plug (SCP06G2G*-F80).....	(Catalog 102)
IT4106R	Threaded Straight Plug (SCP06R*-F80).....	(Catalog 102)
IT4106SP	Threaded Straight Plug (SCP06NR*-F80).....	(Catalog 102)
IT4108A	Threaded 90 Degree Plug (SCP08A*-F80).....	(Catalog 102)
IT4108F	Threaded 90 Degree Plug (SCP08F*-F80).....	(Catalog 102)
IT4108R	Threaded 90 Degree Plug (SCP08R*-F80).....	(Catalog 102)
IT25042	Threaded Dust Cap for Plug (SCP25042).....	(Catalog 401)
IT25043	Threaded Dust Cap for Receptacle (SCP25043).....	(Catalog 401)
IT40450-*	Flange Gasket (SCP40450-*).....	(Catalog 401)
IT40450-*S	Flange Gasket (SCP40450-*S).....	(Catalog 401)
IT40460-*	Flange Gasket (SCP40460-*).....	(Catalog 401)
IT40460-*S	Flange Gasket (SCP40460-*S).....	(Catalog 401)
ITB02T	Reverse Bayonet Receptacle Dust Cap (SCPB*TF).....	6C-9
ITB06T	Reverse Bayonet Plug Dust Cap (SCPB*TV).....	6C-8
ITS02PP	Reverse Bayonet Thru-Bulkhead Receptacle (SCPB*-*).....	1C-4
ITS05	Reverse Bayonet Dummy Receptacle (SCPB05).....	6C-7
ITS3100A*	Reverse Bayonet Wall Mount Receptacle (SCPB00A*).....	1C-4
ITS3100F*	Reverse Bayonet Wall Mount Receptacle (SCPB00LF*).....	1C-4
ITS3100G*	Reverse Bayonet Wall Mount Receptacle (SCPB00G*).....	1C-4
ITS3100GR*	Reverse Bayonet Wall Mount Receptacle (SCPB00G2G*).....	1C-4
ITS3100R*	Reverse Bayonet Wall Mount Receptacle (SCPB00R*).....	1C-4
ITS3100RS*	Reverse Bayonet Wall Mount Receptacle (SCPB00RV*).....	1C-4
ITS3100SP*	Reverse Bayonet Wall Mount Receptacle (SCPB00SB*).....	1C-4
ITS3101A*	Reverse Bayonet In-Line Receptacle (SCPB01A*).....	1C-4
ITS3101F*	Reverse Bayonet In-Line Receptacle (SCPB01LF*).....	1C-4
ITS3101G*	Reverse Bayonet In-Line Receptacle (SCPB01G*).....	1C-4
ITS3101GR*	Reverse Bayonet In-Line Receptacle (SCPB01G2G*).....	1C-4
ITS3101R * N5**	Reverse Bayonet In-Line Receptacle (SCPB01CFZ*).....	1C-4
ITS3101R*	Reverse Bayonet In-Line Receptacle (SCPB01R*).....	1C-4
ITS3101RS*	Reverse Bayonet In-Line Receptacle (SCPB01RV*).....	1C-4
ITS3101SP*	Reverse Bayonet In-Line Receptacle (SCPB01SB*).....	1C-4
ITS3102A*	Reverse Bayonet Box Mount Receptacle (SCPB02A*).....	1C-4
ITS3102E*	Reverse Bayonet Box Mount Receptacle (SCPB02E*).....	1C-4
ITS3102R*	Reverse Bayonet Box Mount Receptacle (SCPB02R*).....	1C-4
ITS3102Y*	Reverse Bayonet Box Mount Receptacle (SCPB02YM*).....	1C-4
ITS3103A*	Reverse Bayonet Box Mount Receptacle (SCPB03A*).....	1C-4
ITS3103R*	Reverse Bayonet Box Mount Receptacle (SCPB03R*).....	1C-4
ITS3103Y*	Reverse Bayonet Box Mount Receptacle (SCPB03YM*).....	1C-4
ITS31030A*	Reverse Bayonet Wall Mount Receptacle (SCPB030A*).....	1C-4
ITS31030F*	Reverse Bayonet Wall Mount Receptacle (SCPB030LF*).....	1C-4
ITS31030G*	Reverse Bayonet Wall Mount Receptacle (SCPB030G*).....	1C-4
ITS31030GR*	Reverse Bayonet Wall Mount Receptacle (SCPB030G2G*).....	1C-4
ITS31030R*	Reverse Bayonet Wall Mount Receptacle (SCPB030R*).....	1C-4
ITS31030RS*	Reverse Bayonet Wall Mount Receptacle (SCPB030RV*).....	1C-4

★ Indicates additional alpha-numeric are required to complete part number

CROSS REFERENCE/INDEX

ITS31030SP*	Reverse Bayonet Wall Mount Receptacle (SCPBO30SB*)	1C-4
ITS31038A*	Reverse Bayonet Wall Mount Receptacle (SCPBO38A*)	1C-4
ITS31038R*	Reverse Bayonet Wall Mount Receptacle (SCPBO38R*)	1C-4
ITS3106A*	Reverse Bayonet Straight Plug (SCPBO6A-*)	1C-4
ITS3106F*	Reverse Bayonet Straight Plug (SCPBO6LF*)	1C-4
ITS3106G*	Reverse Bayonet Straight Plug (SCPBO6G*)	1C-4
ITS3106GR*	Reverse Bayonet Straight Plug (SCPBO6G2G*)	1C-4
ITS3106R*	Reverse Bayonet Straight Plug (SCPBO6R*)	1C-4
ITS3106RS*	Reverse Bayonet Straight Plug (SCPBO6RV*)	1C-4
ITS3106SP*	Reverse Bayonet Straight Plug (SCPBO6SB*)	1C-4
ITS3107A*	Reverse Bayonet Jam Nut Receptacle (SCPBO7R*)	1C-4
ITS31078A*	Reverse Bayonet Jam Nut Receptacle (SCPBO78RR*)	1C-4
ITS31078R*	Reverse Bayonet Jam Nut Receptacle (SCPBO78RR*)	1C-4
ITS3108A*	Reverse Bayonet 90 Degree Plug (SCPBO8A*)	1C-4
ITS3108F*	Reverse Bayonet 90 Degree Plug (SCPBO8F*)	1C-4
ITS3108GR*	Reverse Bayonet 90 Degree Plug (SCPBO8G2G*)	1C-4
ITS3108R*	Reverse Bayonet 90 Degree Plug (SCPBO8R*)	1C-4
ITS3108R*N1**	Reverse Bayonet 90 Degree Plug (SCPBO8F*)	1C-4
ITS3108R*N5**	Reverse Bayonet 90 Degree Plug (SCPBO8CFZ*)	1C-4
ITS3108RGG*	Reverse Bayonet 90 Degree Plug (SCPBO8GG*)	1C-4
ITS3108SP*	Reverse Bayonet 90 Degree Plug (SCPBO8SB*)	1C-4
ITS3126A*	Reverse Bayonet Wall Mount Plug (SCPBO64PP*)	1C-4
ITS3126R*	Reverse Bayonet Wall Mount Plug (SCPBO64PP*)	1C-4
ITS4100A*	Reverse Bayonet Wall Mount Receptacle (SCPBO0A*(F80)	1C-4
ITS4100F*	Reverse Bayonet Wall Mount Receptacle (SCPBO0LF*(F80)	1C-4
ITS4100G*	Reverse Bayonet Wall Mount Receptacle (SCPBO0G*(F80)	1C-4
ITS4100GR*	Reverse Bayonet Wall Mount Receptacle (SCPBO0G2G*(F80)	1C-4
ITS4100R*	Reverse Bayonet Wall Mount Receptacle (SCPBO0R*(F80)	1C-4
ITS4100RS*	Reverse Bayonet Wall Mount Receptacle (SCPBO0RV*(F80)	1C-4
ITS4100SP*	Reverse Bayonet Wall Mount Receptacle (SCPBO0SB*(F80)	1C-4
ITS4101A*	Reverse Bayonet In-Line Receptacle (SCPBO1A*(F80)	1C-4
ITS4101F*	Reverse Bayonet In-Line Receptacle (SCPBO1LF*(F80)	1C-4
ITS4101G*	Reverse Bayonet In-Line Receptacle (SCPBO1G*(F80)	1C-4
ITS4101GR*	Reverse Bayonet In-Line Receptacle (SCPBO1G2G*(F80)	1C-4
ITS4101R*	Reverse Bayonet In-Line Receptacle (SCPBO1R*(F80)	1C-4
ITS4101RS*	Reverse Bayonet In-Line Receptacle (SCPBO1RV*(F80)	1C-4
ITS4101SP*	Reverse Bayonet In-Line Receptacle (SCPBO1SB*(F80)	1C-4
ITS4102A*	Reverse Bayonet Box Mount Receptacle (SCPBO2A*(F80)	1C-4
ITS4102E*	Reverse Bayonet Box Mount Receptacle (SCPBO2E*(F80)	1C-4
ITS4102R*	Reverse Bayonet Box Mount Receptacle (SCPBO2R*(F80)	1C-4
ITS4102Y*	Reverse Bayonet Box Mount Receptacle (SCPBO2YM*(F80)	1C-4
ITS4103A*	Reverse Bayonet Box Mount Receptacle (SCPBO3A*(F80)	1C-4
ITS4103R*	Reverse Bayonet Box Mount Receptacle (SCPBO3R*(F80)	1C-4
ITS4103Y*	Reverse Bayonet Box Mount Receptacle (SCPBO3YM*(F80)	1C-4
ITS41030A*	Reverse Bayonet Wall Mount Receptacle (SCPBO30A*(F80)	1C-4
ITS41030F*	Reverse Bayonet Wall Mount Receptacle (SCPBO30LF*(F80)	1C-4
ITS41030G*	Reverse Bayonet Wall Mount Receptacle (SCPBO30G*(F80)	1C-4
ITS41030GR*	Reverse Bayonet Wall Mount Receptacle (SCPBO30G2G*(F80)	1C-4
ITS41030R*	Reverse Bayonet Wall Mount Receptacle (SCPBO30R*(F80)	1C-4
ITS41030RS*	Reverse Bayonet Wall Mount Receptacle (SCPBO30RV*(F80)	1C-4
ITS41030SP*	Reverse Bayonet Wall Mount Receptacle (SCPBO30SB*(F80)	1C-4
ITS41038A*	Reverse Bayonet Wall Mount Receptacle (SCPBO38A*(F80)	1C-4
ITS41038R*	Reverse Bayonet Wall Mount Receptacle (SCPBO38R*(F80)	1C-4
ITS4106A*	Reverse Bayonet Straight Plug (SCPBO6A*(F80)	1C-4
ITS4106F*	Reverse Bayonet Straight Plug (SCPBO6LF*(F80)	1C-4
ITS4106G*	Reverse Bayonet Straight Plug (SCPBO6G*(F80)	1C-4
ITS4106GR*	Reverse Bayonet Straight Plug (SCPBO6G2G*(F80)	1C-4
ITS4106R*	Reverse Bayonet Straight Plug (SCPBO6R*(F80)	1C-4
ITS4106RS*	Reverse Bayonet Straight Plug (SCPBO6RV*(F80)	1C-4
ITS4106SP*	Reverse Bayonet Straight Plug (SCPBO6SB*(F80)	1C-4
ITS4107A*	Reverse Bayonet Jam Nut Receptacle (SCPBO7R*(F80)	1C-4
ITS41078A*	Reverse Bayonet Jam Nut Receptacle (SCPBO78RR*(F80)	1C-4
ITS41078R*	Reverse Bayonet Jam Nut Receptacle (SCPBO78RR*(F80)	1C-4
ITS4108A*	Reverse Bayonet 90 Degree Plug (SCPBO8A*(F80)	1C-4
ITS4108AGG*	Reverse Bayonet 90 Degree Plug (SCPBO8GG*(F80)	1C-4
ITS4108F*	Reverse Bayonet 90 Degree Plug (SCPBO8F*(F80)	1C-4
ITS4108GR*	Reverse Bayonet 90 Degree Plug (SCPBO8G2G*(F80)	1C-4

* Indicates additional alpha-numeric are required to complete part number



CROSS REFERENCE/INDEX

ITS4108R*	Reverse Bayonet 90 Degree Plug (SCPB08R*(F80)	1C-4
ITS4108SP*	Reverse Bayonet 90 Degree Plug (SCPB08SB*(F80)	1C-4
ITS4126A*	Reverse Bayonet Wall Mount Plug (SCPB064PP*(F80)	1C-4
ITS4126R*	Reverse Bayonet Wall Mount Plug (SCPB064PP*(F80)	1C-4
ITZ02T*H	Threaded Dust Cap for Receptacle ((SCPZ*TF)	Not Illustrated
ITZ06T*H	Threaded Dust Cap for Receptacle (SCPZ*TV)	Not Illustrated
ITZ3100A*CRG**H	Threaded Wall Mount Receptacle (SCPZ00A*)	Not Illustrated
ITZ3100A*D2**H	Threaded Wall Mount Receptacle (SCPZ00A*)	Not Illustrated
ITZ3100A*PHM**H	Threaded Wall Mount Receptacle (SCPZ00A*)	Not Illustrated
ITZ3100A*PM**H	Threaded Wall Mount Receptacle (SCPZ00A*)	Not Illustrated
ITZ3100R*CRG**H	Threaded Wall Mount Receptacle (SCPZ00R*)	Not Illustrated
ITZ3100R*D2**H	Threaded Wall Mount Receptacle (SCPZ00R*)	Not Illustrated
ITZ3102R*H**	Threaded Box Mount Receptacle (SCPZ02R*)	Not Illustrated
ITZ3103R*H**	Threaded Box Mount Receptacle (SCPZ03R*)	Not Illustrated
ITZ31030A* D2**H	Threaded Wall Mount Receptacle (SCPZ030A*)	Not Illustrated
ITZ31030A* PH**H	Threaded Wall Mount Receptacle (SCPZ030A*)	Not Illustrated
ITZ31030A* PM**H	Threaded Wall Mount Receptacle (SCPZ030A*)	Not Illustrated
ITZ31030A*CRG**H	Threaded Wall Mount Receptacle (SCPZ030A*)	Not Illustrated
ITZ31030R* D2**H	Threaded Wall Mount Receptacle (SCPZ030R*)	Not Illustrated
ITZ31030R*CRG**H	Threaded Wall Mount Receptacle (SCPZ030R*)	Not Illustrated
ITZ3106A*CRG**H	Threaded Straight Plug (SCPZ06* (SCPZ06A*)	Not Illustrated
ITZ3106A*D2**H	Threaded Straight Plug (SCPZ06* (SCPZ06A*)	Not Illustrated
ITZ3106A*PM**H	Threaded Straight Plug (SCPZ06* (SCPZ06A*)	Not Illustrated
ITZ3106R*CRG**H	Threaded Straight Plug (SCPZ06* (SCPZ06R*)	Not Illustrated
ITZ3106R*D2**H	Threaded Straight Plug (SCPZ06* (SCPZ06R*)	Not Illustrated
ITZ3108A* CRG**H	Threaded 90 Degree Plug (SCPZ08* (SCPZ08A*)	Not Illustrated
ITZ3108A* D2**H	Threaded 90 Degree Plug (SCPZ08* (SCPZ08A*)	Not Illustrated
ITZ3108A* PM**H	Threaded 90 Degree Plug (SCPZ08* (SCPZ08A*)	Not Illustrated
ITZ3108A*PMH**H	Threaded 90 Degree Plug (SCPZ08* (SCPZ08A*)	Not Illustrated
ITZ3108R* D2**H	Threaded 90 Degree Plug (SCPZ08* (SCPZ08R*)	Not Illustrated
ITZ3108R* CRG**H	Threaded 90 Degree Plug (SCPZ08* (SCPZ08R*)	Not Illustrated
ITZ4100A*CRG**H	Threaded Wall Mount Receptacle (SCPZ00A*(F80)	Not Illustrated
ITZ4100A*CRG**H-B0	Threaded Wall Mount Receptacle (SCPZ00A*(F0)	Not Illustrated
ITZ4100A*CRG**H-B1	Threaded Wall Mount Receptacle (SCPZ00A*(F80-A95)	Not Illustrated
ITZ4100A*D2**H	Threaded Wall Mount Receptacle (SCPZ00A*(F80)	Not Illustrated
ITZ4100A*D2**H-B0	Threaded Wall Mount Receptacle (SCPZ00A*(F0)	Not Illustrated
ITZ4100A*D2**H-B1	Threaded Wall Mount Receptacle (SCPZ00A*(F80-A95)	Not Illustrated
ITZ4100A*PHM**H	Threaded Wall Mount Receptacle (SCPZ00A*(F80)	Not Illustrated
ITZ4100A*PHM**H-B0	Threaded Wall Mount Receptacle (SCPZ00A*(F0)	Not Illustrated
ITZ4100A*PHM**H-B1	Threaded Wall Mount Receptacle (SCPZ00A*(F80-A95)	Not Illustrated
ITZ4100A*PM**H	Threaded Wall Mount Receptacle (SCPZ00A*(F80)	Not Illustrated
ITZ4100A*PM**H-B0	Threaded Wall Mount Receptacle (SCPZ00A*(F0)	Not Illustrated
ITZ4100A*PM**H-B1	Threaded Wall Mount Receptacle (SCPZ00A*(F80-A95)	Not Illustrated
ITZ4100R*CRG**H	Threaded Wall Mount Receptacle (SCPZ00R*(F80)	Not Illustrated
ITZ4100R*CRG**H-B0	Threaded Wall Mount Receptacle (SCPZ00R*(F0)	Not Illustrated
ITZ4100R*CRG**H-B1	Threaded Wall Mount Receptacle (SCPZ00R*(F80-A95)	Not Illustrated
ITZ4100R*D2**H	Threaded Wall Mount Receptacle (SCPZ00R*(F80)	Not Illustrated
ITZ4100R*D2**H-B0	Threaded Wall Mount Receptacle (SCPZ00R*(F0)	Not Illustrated
ITZ4100R*D2**H-B1	Threaded Wall Mount Receptacle (SCPZ00R*(F80-A95)	Not Illustrated
ITZ4102R*H**	Threaded Box Mount Receptacle (SCPZ02R*(F80)	Not Illustrated
ITZ4102R*H**-B0	Threaded Box Mount Receptacle (SCPZ02R*(F0)	Not Illustrated
ITZ4102R*H**-B1	Threaded Box Mount Receptacle (SCPZ02R*(F80-A95)	Not Illustrated
ITZ4103R*H**	Threaded Box Mount Receptacle (SCPZ03R*(F80)	Not Illustrated
ITZ4103R*H**-B0	Threaded Box Mount Receptacle (SCPZ03R*(F0)	Not Illustrated
ITZ4103R*H**-B1	Threaded Box Mount Receptacle (SCPZ03R*(F80-A95)	Not Illustrated
ITZ41030A* D2**H	Threaded Wall Mount Receptacle (SCPZ030A*(F80)	Not Illustrated
ITZ41030A* D2**H-B0	Threaded Wall Mount Receptacle (SCPZ030A*(F0)	Not Illustrated
ITZ41030A* D2**H-B1	Threaded Wall Mount Receptacle (SCPZ030A*(F80-A95)	Not Illustrated
ITZ41030A* PH**H	Threaded Wall Mount Receptacle (SCPZ030A*(F80)	Not Illustrated
ITZ41030A* PH**H-B0	Threaded Wall Mount Receptacle (SCPZ030A*(F0)	Not Illustrated
ITZ41030A* PH**H-B1	Threaded Wall Mount Receptacle (SCPZ030A*(F80-A95)	Not Illustrated
ITZ41030A* PM**H	Threaded Wall Mount Receptacle (SCPZ030A*(F80)	Not Illustrated
ITZ41030A* PM**H-B0	Threaded Wall Mount Receptacle (SCPZ030A*(F0)	Not Illustrated
ITZ41030A* PM**H-B1	Threaded Wall Mount Receptacle (SCPZ030A*(F80-A95)	Not Illustrated
ITZ41030A*CRG**H	Threaded Wall Mount Receptacle (SCPZ030A*(F80)	Not Illustrated
ITZ41030A*CRG**H-B0	Threaded Wall Mount Receptacle (SCPZ030A*(F0)	Not Illustrated
ITZ41030A*CRG**H-B1	Threaded Wall Mount Receptacle (SCPZ030A*(F80-A95)	Not Illustrated

★ Indicates additional alpha-numeric are required to complete part number

CROSS REFERENCE/INDEX

ITZ41030R* D2**H	Threaded Wall Mount Receptacle (SCPZ030R*(F80).....	Not Illustrated
ITZ41030R* D2**H-B0	Threaded Wall Mount Receptacle (SCPZ030R*(F0).....	Not Illustrated
ITZ41030R* D2**H-B1	Threaded Wall Mount Receptacle (SCPZ030R*(F80-A95).....	Not Illustrated
ITZ41030R*CRG**H	Threaded Wall Mount Receptacle (SCPZ030R*(F80).....	Not Illustrated
ITZ41030R*CRG**H-B0	Threaded Wall Mount Receptacle (SCPZ030R*(F0).....	Not Illustrated
ITZ41030R*CRG**H-B1	Threaded Wall Mount Receptacle (SCPZ030R*(F80-A95).....	Not Illustrated
ITZ4106A*CRG**H	Threaded Straight Plug (SCPZ06A*(F80).....	Not Illustrated
ITZ4106A*CRG**H-B0	Threaded Straight Plug (SCPZ06A*(F0).....	Not Illustrated
ITZ4106A*CRG**H-B1	Threaded Straight Plug (SCPZ06A*(F80-A95).....	Not Illustrated
ITZ4106A*D2**H	Threaded Straight Plug (SCPZ06A*(F80).....	Not Illustrated
ITZ4106A*D2**H-B0	Threaded Straight Plug (SCPZ06A*(F0).....	Not Illustrated
ITZ4106A*D2**H-B1	Threaded Straight Plug (SCPZ06A*(F80-A95).....	Not Illustrated
ITZ4106A*PM**H	Threaded Straight Plug (SCPZ06A*(F80).....	Not Illustrated
ITZ4106A*PM**H-B0	Threaded Straight Plug (SCPZ06A*(F0).....	Not Illustrated
ITZ4106A*PM**H-B1	Threaded Straight Plug (SCPZ06A*(F80-A95).....	Not Illustrated
ITZ4106R*CRG**H	Threaded Straight Plug (SCPZ06R*(F80).....	Not Illustrated
ITZ4106R*CRG**H-B0	Threaded Straight Plug (SCPZ06R*(F0).....	Not Illustrated
ITZ4106R*CRG**H-B1	Threaded Straight Plug (SCPZ06R*(F80-A95).....	Not Illustrated
ITZ4106R*D2**H	Threaded Straight Plug (SCPZ06R*(F80).....	Not Illustrated
ITZ4106R*D2**H-B0	Threaded Straight Plug (SCPZ06R*(F0).....	Not Illustrated
ITZ4106R*D2**H-B1	Threaded Straight Plug (SCPZ06R*(F80-A95).....	Not Illustrated
ITZ4108A* CRG**H	Threaded 90 Degree Plug (SCPZ08A*(F80).....	Not Illustrated
ITZ4108A* CRG**H-B0	Threaded 90 Degree Plug (SCPZ08A*(F0).....	Not Illustrated
ITZ4108A* CRG**H-B1	Threaded 90 Degree Plug (SCPZ08A*(F80-A95).....	Not Illustrated
ITZ4108A* D2**H	Threaded 90 Degree Plug (SCPZ08A*(F80).....	Not Illustrated
ITZ4108A* D2**H-B0	Threaded 90 Degree Plug (SCPZ08A*(F0).....	Not Illustrated
ITZ4108A* D2**H-B1	Threaded 90 Degree Plug (SCPZ08A*(F80-A95).....	Not Illustrated
ITZ4108A* PM**H	Threaded 90 Degree Plug (SCPZ08A*(F80).....	Not Illustrated
ITZ4108A* PM**H-B0	Threaded 90 Degree Plug (SCPZ08A*(F0).....	Not Illustrated
ITZ4108A* PM**H-B1	Threaded 90 Degree Plug (SCPZ08A*(F80-A95).....	Not Illustrated
ITZ4108A*PMH**H	Threaded 90 Degree Plug (SCPZ08A*(F80).....	Not Illustrated
ITZ4108A*PMH**H-B0	Threaded 90 Degree Plug (SCPZ08A*(F0).....	Not Illustrated
ITZ4108A*PMH**H-B1	Threaded 90 Degree Plug (SCPZ08A*(F80-A95).....	Not Illustrated
ITZ4108R* D2**H	Threaded 90 Degree Plug (SCPZ08R*(F80).....	Not Illustrated
ITZ4108R* D2**H-B0	Threaded 90 Degree Plug (SCPZ08R*(F0).....	Not Illustrated
ITZ4108R* D2**H-B1	Threaded 90 Degree Plug (SCPZ08R*(F80-A95).....	Not Illustrated
ITZ4108R* CRG**H	Threaded 90 Degree Plug (SCPZ08R*(F80).....	Not Illustrated
ITZ4108R* CRG**H-B0	Threaded 90 Degree Plug (SCPZ08R*(F0).....	Not Illustrated
ITZ4108R* CRG**H-B1	Threaded 90 Degree Plug (SCPZ08R*(F80-A95).....	Not Illustrated
LTC00★	Reverse Bayonet Wall Mount Receptacle (SCPB00★F80).....	1C-4
LTC01★	Reverse Bayonet In-Line Receptacle (SCPB01★F80).....	1C-4
LTC02★	Reverse Bayonet Box Mount Receptacle (SCPB02★F80).....	1C-4
LTC06★	Reverse Bayonet Straight Plug (SCPB06★F80).....	1C-4
LTC07★	Reverse Bayonet Jam Nut Receptacle (SCPB07★F80).....	1C-4
LTC08★	Reverse Bayonet 90 Degree Plug (SCPB08★F80).....	1C-4
LTC020★	Reverse Bayonet Wall Mount Receptacle (SCPB020★F80).....	1C-4
LTC030★	Reverse Bayonet Wall Mount Receptacle (SCPB030★F80).....	1C-4
LTC070★	Reverse Bayonet Jam Nut Receptacle (SCPB070★F80).....	1C-4
LTCTB★	Reverse Bayonet Thru-Bulkhead Receptacle (SCPBTB★).....	1C-4
LTS00★	Reverse Bayonet Wall Mount Receptacle (SCPB00★).....	1C-4
LTS01★	Reverse Bayonet In-Line Receptacle (SCPB01★).....	1C-4
LTS02★	Reverse Bayonet Box Mount Receptacle (SCPB02★).....	1C-4
LTS06★	Reverse Bayonet Straight Plug (SCPB06★).....	1C-4
LTS07★	Reverse Bayonet Jam Nut Receptacle (SCPB07★).....	1C-4
LTS08★	Reverse Bayonet 90 Degree Plug (SCPB08★).....	1C-4
LTS020★	Reverse Bayonet Wall Mount Receptacle (SCPB020★).....	1C-4
LTS030★	Reverse Bayonet Wall Mount Receptacle (SCPB030★).....	1C-4
LTS070★	Reverse Bayonet Jam Nut Receptacle (SCPB070★).....	1C-4
LTSTB★	Reverse Bayonet Thru-Bulkhead Receptacle (SCPBTB★).....	1C-4
MD275★	Terminal Lug (SCPMD275★).....	6C-15
MD775★	Terminal Lug (SCPMD775★).....	6C-15
MD1600★	Terminal Lug (SCPMD1600★).....	6C-15
MS3057*A	Cable Clamp.....	6C-3
MS3057*C	Cable Clamp.....	6C-5
MS3420-*	Rubber Bushing.....	6C-4
MS3420-*A	Rubber Bushing.....	6C-6
MS25251-*	Sealing Plug.....	6C-14

★ Indicates additional alpha-numeric are required to complete part number



MS27488-*	Sealing Plug	6C-14
PARVB	Conduit	1C-29 & 31
PARVG	Conduit	1C-31
PARFB	Conduit	1C-31
PCSG	Conduit	1C-31
PCST	Conduit	1C-31
PILAG	Conduit	1C-30
PILB	Conduit	1C-30
PILJ	Conduit	1C-30
PILMG	Conduit	1C-30
PIVG	Conduit	1C-30
R12-2500-★	Pin Contact, Size 18	3C-4
R12-3600-★	Pin Contact, Size 16	3C-4
R12-3608-★	Pin Contact, Size 16	3C-4
R12-3612-★	Pin Contact, Size 16	3C-4
R12-3613-★	Pin Contact, Size 16	3C-4
R12-3615-★	Pin Contact, Size 16	3C-4
R12-3620-★	Pin Contact, Size 16	3C-4
R12-3626-★	Pin Contact, Size 16	3C-4
R12-4900-★	Pin Contact, Size 16S	3C-4
R12-4912-★	Pin Contact, Size 16S	3C-4
R12-4913-★	Pin Contact, Size 16S	3C-4
R12-4915-★	Pin Contact, Size 16S	3C-4
R12-4926-★	Pin Contact, Size 16S	3C-4
R12-6400-★	Pin Contact, Size 12	3C-5
R12-6408-★	Pin Contact, Size 12	3C-5
R12-6412-★	Pin Contact, Size 12	3C-5
R12-6415-★	Pin Contact, Size 12	3C-5
R12-6420-★	Pin Contact, Size 12	3C-5
R12-6422-★	Pin Contact, Size 12	3C-5
R12-6430-★	Pin Contact, Size 12	3C-5
R12-6431-★	Pin Contact, Size 12	3C-5
R12-6438-★	Pin Contact, Size 12	3C-5
R12-7900-★	Pin Contact, Size 8	3C-5
R12-7915-★	Pin Contact, Size 8	3C-5
R12-7918-★	Pin Contact, Size 8	3C-5
R12-7926-★	Pin Contact, Size 8	3C-5
R12-7930-★	Pin Contact, Size 8	3C-5
R12-7950-★	Pin Contact, Size 8	3C-5
R12-7958-★	Pin Contact, Size 8	3C-5
R12-8500-★	Pin Contact, Size 4	3C-5
R12-8522-★	Pin Contact, Size 4	3C-5
R12-8525-★	Pin Contact, Size 4	3C-5
R12-8526-★	Pin Contact, Size 4	3C-5
R12-8530-★	Pin Contact, Size 4	3C-5
R12-8535-★	Pin Contact, Size 4	3C-5
R12-8550-★	Pin Contact, Size 4	3C-5
R12-8562-★	Pin Contact, Size 4	3C-5
R12-9200-★	Pin Contact, Size 1/0	3C-5
R12-9225-★	Pin Contact, Size 1/0	3C-5
R12-9235-★	Pin Contact, Size 1/0	3C-5
R12-9245-★	Pin Contact, Size 1/0	3C-5
R12-9246-★	Pin Contact, Size 1/0	3C-5
R12-9250-★	Pin Contact, Size 1/0	3C-5
R12-9275-★	Pin Contact, Size 1/0	3C-5
R12-9700-★	Pin Contact, Size 4/0	3C-5
R12-97115-★	Pin Contact, Size 4/0	3C-5
R12-97135-★	Pin Contact, Size 4/0	3C-5
R12-9790-★	Pin Contact, Size 4/0	3C-5
SOE19FP★	Panel Mount Receptacle	1C-32
SOE19FV★	In-Line Receptacle	1C-32
SOE19MP★	Panel Mount Plug	1C-32
SOE19MV★	Straight Plug	1C-32
SOX19FP★	Panel Mount Receptacle	1C-32
SOX19FV★	In-Line Receptacle	1C-32
SOX19MP★	Panel Mount Plug	1C-32
SOX19MV★	Straight Plug	1C-32

★ Indicates additional alpha-numeric are required to complete part number

CROSS REFERENCE/INDEX

S12-3800-★	Socket Contact, Size 16.....	3C-3
S12-5100-★	Socket Contact, Size 16S.....	3C-3
S12-6500-★	Socket Contact, Size 12.....	3C-3
S12-7900-★	Socket Contact, Size 8.....	3C-3
S12-8500-★	Socket Contact, Size 4.....	3C-3
S12-9200-★	Socket Contact, Size 1/0.....	3C-3
SCP40450-*	Gasket for Flange Mount Receptacle.....	6C-13
SCP40460-*	Gasket for Flange Mount Receptacle.....	6C-13
SCPB*TF	Dust Cap for Receptacle.....	6C-9
SCPB*TV	Dust Cup for Plug.....	6C-8
SCPB05*	Dummy Receptacle.....	6C-7
SCPB90-*	Right Angle Mounting Bracket.....	6C-12
SCPBE-02C	Coiled .250 Termination Band.....	6C-16
SCPBE-02F	Flat .250 Termination Band.....	6C-16
SCPBE-04C	Coiled .125 Termination Band.....	6C-16
SCPBE-04F	Flat .125 Termination Band.....	6C-16
SCPB(H)(S)00-(Dash Only)★	Wall Mount Receptacle.....	1C-5
SCPB(H)(S)00A★	Wall Mount Receptacle.....	1C-5
SCPB(H)(S)00AE★	Wall Mount Receptacle.....	1C-6
SCPB(H)(S)00AF★	Wall Mount Receptacle.....	1C-6
SCPB(H)(S)00AG★	Wall Mount Receptacle.....	1C-7
SCPB(H)(S)00AG2G★	Wall Mount Receptacle.....	1C-7
SCPB(H)(S)00APT★	Wall Mount Receptacle.....	1C-8
SCPB(H)(S)00ARK★	Wall Mount Receptacle.....	1C-8
SCPB(H)(S)00ARV★	Wall Mount Receptacle.....	1C-9
SCPB(H)(S)00ASB★	Wall Mount Receptacle.....	1C-9
SCPB(H)(S)00ASBF★	Wall Mount Receptacle.....	1C-10
SCPB(H)(S)00ASBT★	Wall Mount Receptacle.....	1C-10
SCPB(H)(S)00CF(Z)★	Wall Mount Receptacle.....	1C-11
SCPB(H)(S)00CMEG★	Wall Mount Receptacle.....	1C-11
SCPB(H)(S)00E★	Wall Mount Receptacle.....	1C-6
SCPB(H)(S)00F★	Wall Mount Receptacle.....	1C-6
SCPB(H)(S)00G★	Wall Mount Receptacle.....	1C-7
SCPB(H)(S)00G2G★	Wall Mount Receptacle.....	1C-7
SCPB(H)(S)00LA★	Wall Mount Receptacle.....	1C-12
SCPB(H)(S)00LAF★	Wall Mount Receptacle.....	1C-12
SCPB(H)(S)00LC(G)★	Wall Mount Receptacle.....	1C-13
SCPB(H)(S)00LCF(Z)★	Wall Mount Receptacle.....	1C-13
SCPB(H)(S)00LF★	Wall Mount Receptacle.....	1C-12
SCPB(H)(S)00LR★	Wall Mount Receptacle.....	1C-12
SCPB(H)(S)00NM(G)★	Wall Mount Receptacle.....	1C-14
SCPB(H)(S)00R★	Wall Mount Receptacle.....	1C-5
SCPB(H)(S)00RK★	Wall Mount Receptacle.....	1C-8
SCPB(H)(S)00RV★	Wall Mount Receptacle.....	1C-9
SCPB(H)(S)00SB★	Wall Mount Receptacle.....	1C-9
SCPB(H)(S)00SBF★	Wall Mount Receptacle.....	1C-10
SCPB(H)(S)00SBT★	Wall Mount Receptacle.....	1C-10
SCPB(H)(S)00SL/SL1★	Wall Mount Receptacle.....	1C-15
SCPB(H)(S)00SLX/SLX1★	Wall Mount Receptacle.....	1C-15
SCPB(H)(S)00ST(G)★	Wall Mount Receptacle.....	1C-16
SCPB(H)(S)00SU(G)★	Wall Mount Receptacle.....	1C-16
SCPB(H)(S)00SV★	Wall Mount Receptacle.....	1C-17
SCPB(H)(S)00TRAC★	Wall Mount Receptacle.....	1C-17
SCPB(H)(S)00WK(G)★	Wall Mount Receptacle.....	1C-18
SCPB(H)(S)01-(Dash Only)★	In-Line Receptacle.....	1C-19
SCPB(H)(S)01A★	In-Line Receptacle.....	1C-19
SCPB(H)(S)01AE★	In-Line Receptacle.....	1C-20
SCPB(H)(S)01AF★	In-Line Receptacle.....	1C-20
SCPB(H)(S)01AG★	In-Line Receptacle.....	1C-21
SCPB(H)(S)01AG2G★	In-Line Receptacle.....	1C-21
SCPB(H)(S)01APT★	In-Line Receptacle.....	1C-22
SCPB(H)(S)01ARV★	In-Line Receptacle.....	1C-22
SCPB(H)(S)01ASB★	In-Line Receptacle.....	1C-23
SCPB(H)(S)01ASBF★	In-Line Receptacle.....	1C-23
SCPB(H)(S)01ASBT★	In-Line Receptacle.....	1C-24
SCPB(H)(S)01CF(Z)★	In-Line Receptacle.....	1C-24
SCPB(H)(S)01E★	In-Line Receptacle.....	1C-20

★ Indicates additional alpha-numeric are required to complete part number



SCP(B)(H)(S)01F★	In-Line Receptacle.....	1C-20
SCP(B)01FR**(C)★	In-Line Receptacle.....	1C-25
SCP(B)01FR**(PG)★	In-Line Receptacle.....	1C-25
SCP(B)01FR**(SPB)★	In-Line Receptacle.....	1C-26
SCP(B)(H)(S)01G★	In-Line Receptacle.....	1C-21
SCP(B)(H)(S)01G2G★	In-Line Receptacle.....	1C-21
SCP(B)(H)(S)01LA★	In-Line Receptacle.....	1C-26
SCP(B)(H)(S)01LAF★	In-Line Receptacle.....	1C-27
SCP(B)(H)(S)01LC(G)★	In-Line Receptacle.....	1C-27
SCP(B)(H)(S)01LCF(Z)★	In-Line Receptacle.....	1C-28
SCP(B)(H)(S)01LF★	In-Line Receptacle.....	1C-27
SCP(B)H01LPGM52★	In-Line Receptacle.....	1C-105
SCP(B)H01LPGF52★	In-Line Receptacle.....	1C-106
SCP(B)(H)(S)01LR★	In-Line Receptacle.....	1C-26
SCP(B)(H)(S)01NM(G)★	In-Line Receptacle.....	1C-28
SCP(B)(H)(S)01R★	In-Line Receptacle.....	1C-19
SCP(B)(H)(S)01RV★	In-Line Receptacle.....	1C-22
SCP(B)(H)(S)01SB★	In-Line Receptacle.....	1C-23
SCP(B)(H)(S)01SBF★	In-Line Receptacle.....	1C-23
SCP(B)(H)(S)01SBT★	In-Line Receptacle.....	1C-24
SCP(B)(H)(S)01SL/SL1★	In-Line Receptacle.....	1C-29
SCP(B)(H)(S)01SLX/SLX1★	In-Line Receptacle.....	1C-29
SCP(B)(H)(S)01ST(G)★	In-Line Receptacle.....	1C-30
SCP(B)(H)(S)01SU(G)★	In-Line Receptacle.....	1C-30
SCP(B)(H)(S)01SV★	In-Line Receptacle.....	1C-31
SCP(B)(H)(S)01TRAC★	In-Line Receptacle.....	1C-31
SCP(B)(H)(S)02A★	Box Mount Receptacle.....	1C-32
SCP(B)(H)(S)02R★	Box Mount Receptacle.....	1C-32
SCP(B)(H)(S)02YM★	Box Mount Receptacle.....	1C-32
SCP(B)(H)(S)03A★	Box Mount Receptacle, Rear Panel Mount.....	1C-34
SCP(B)(H)(S)03R★	Box Mount Receptacle, Rear Panel Mount.....	1C-34
SCP(B)(H)(S)03YM★	Box Mount Receptacle, Rear Panel Mount.....	1C-35
SCP(B)05-52★	Dummy Receptacle.....	1C-110
SCP(B)(G)(H)(S)06-(Dash only)★	Straight Plug.....	1C-55
SCP(B)(G)(H)(S)06A★	Straight Plug.....	1C-56
SCP(B)(G)(H)(S)06AGG★	Straight Plug.....	1C-58
SCP(B)(G)(H)(S)06AE★	Straight Plug.....	1C-56
SCP(B)(G)(H)(S)06AF★	Straight Plug.....	1C-57
SCP(B)(G)(H)(S)06AFGG★	Straight Plug.....	1C-57
SCP(B)(G)(H)(S)06AG★	Straight Plug.....	1C-58
SCP(B)(G)(H)(S)06AG2G★	Straight Plug.....	1C-59
SCP(B)H06AMPL52★	Straight Plug.....	1C-108
SCP(B)(G)(H)(S)06APT★	Straight Plug.....	1C-59
SCP(B)(G)(H)(S)06ARK★	Straight Plug.....	1C-60
SCP(B)(G)(H)(S)06ARKGG★	Straight Plug.....	1C-60
SCP(B)(G)(H)(S)06ARV★	Straight Plug.....	1C-61
SCP(B)(G)(H)(S)06ASB★	Straight Plug.....	1C-61
SCP(B)(G)(H)(S)06ASBF★	Straight Plug.....	1C-62
SCP(B)(G)(H)(S)06ASBT★	Straight Plug.....	1C-62
SCP(B)(G)(H)(S)06BC★	Straight Plug.....	1C-63
SCP(B)(G)(H)(S)06CF(Z)★	Straight Plug.....	1C-63
SCP(B)(G)(H)(S)06CF(Z)GG★	Straight Plug.....	1C-64
SCP(B)(G)(H)(S)06E★	Straight Plug.....	1C-56
SCP(B)(G)(H)(S)06F★	Straight Plug.....	1C-57
SCP(B)(G)(H)(S)06FGG★	Straight Plug.....	1C-57
SCP(B)(G)(H)(S)06G★	Straight Plug.....	1C-58
SCP(B)(G)(H)(S)06G2G★	Straight Plug.....	1C-59
SCP(B)(G)(H)(S)06LA★	Straight Plug.....	1C-65
SCP(B)(G)(H)(S)06LAF★	Straight Plug.....	1C-65
SCP(B)(G)(H)(S)06LC(G)★	Straight Plug.....	1C-66
SCP(B)H06LCFG52★	Straight Plug.....	1C-107
SCP(B)(G)(H)(S)06LC(G)GG★	Straight Plug.....	1C-66
SCP(B)(G)(H)(S)06LCF(Z)★	Straight Plug.....	1C-67
SCP(B)(G)(H)(S)06LCF(Z)GG★	Straight Plug.....	1C-67
SCP(B)(G)(H)(S)06LF★	Straight Plug.....	1C-65
SCP(B)H06LPGF52★	Straight Plug.....	1C-106
SCP(B)H06LPGFG52★	Straight Plug.....	1C-107

★ Indicates additional alpha-numeric are required to complete part number

CROSS REFERENCE/INDEX

SCPBH06LPGM52★	Straight Plug.....	1C-106
SCPBH06LPGMG52★	Straight Plug.....	1C-107
SCPB(G)(H)(S)06LR★	Straight Plug.....	1C-65
SCPBH06NMS52★	Straight Plug.....	1C-108
SCPB(G)(H)(S)06NM(G)★	Straight Plug.....	1C-68
SCPB(G)(H)(S)06R★	Straight Plug.....	1C-56
SCPB(G)(H)(S)06RGG★	Straight Plug.....	1C-58
SCPB(G)(H)(S)06RK★	Straight Plug.....	1C-60
SCPB(G)(H)(S)06RKGG★	Straight Plug.....	1C-60
SCPB(G)(H)(S)06RV★	Straight Plug.....	1C-61
SCPB(G)(H)(S)06SB★	Straight Plug.....	1C-61
SCPB(G)(H)(S)06SBF★	Straight Plug.....	1C-62
SCPB(G)(H)(S)06SBT★	Straight Plug.....	1C-62
SCPB(G)(H)(S)06SL/SL1★	Straight Plug.....	1C-68
SCPB(G)(H)(S)06SLX/SLX1★	Straight Plug.....	1C-69
SCPB(G)(H)(S)06ST(G)★	Straight Plug.....	1C-69
SCPB(G)(H)(S)06SU(G)★	Straight Plug.....	1C-70
SCPB(G)(H)(S)06SV★	Straight Plug.....	1C-70
SCPB(G)(H)(S)06TRAC★	Straight Plug.....	1C-71
SCPB(G)(H)(S)06WK(G)★	Straight Plug.....	1C-71
SCPB(H)(S)07A★	Jam Nut Receptacle.....	1C-52
SCPB(H)(S)07R★	Jam Nut Receptacle.....	1C-52
SCPB(G)(H)(S)08A★	90 Degree Plug.....	1C-75
SCPB(G)(H)(S)08AGG★	90 Degree Plug.....	1C-76
SCPB(G)(H)(S)08AF★	90 Degree Plug.....	1C-76
SCPB(G)(H)(S)08AFGG★	90 Degree Plug.....	1C-77
SCPB(G)(H)(S)08ARK★	90 Degree Plug.....	1C-78
SCPB(G)(H)(S)08ARKGG★	90 Degree Plug.....	1C-79
SCPB(G)(H)(S)08ASB★	90 Degree Plug.....	1C-83
SCPB(G)(H)(S)08ASBF★	90 Degree Plug.....	1C-81
SCPB(G)(H)(S)08ASBT★	90 Degree Plug.....	1C-82
SCPBH08CF52★	90 Degree Plug.....	1C-109
SCPB(G)(H)(S)08CF(Z)★	90 Degree Plug.....	1C-83
SCPB(G)(H)(S)08CF(Z)GG★	90 Degree Plug.....	1C-84
SCPB(G)(H)(S)08F★	90 Degree Plug.....	1C-76
SCPB(G)(H)(S)08FGG★	90 Degree Plug.....	1C-77
SCPB(G)(H)(S)08LC(G)★	90 Degree Plug.....	1C-85
SCPB(G)(H)(S)08NM(G)★	90 Degree Plug.....	1C-86
SCPB(G)(H)(S)08R★	90 Degree Plug.....	1C-75
SCPB(G)(H)(S)08RGG★	90 Degree Plug.....	1C-76
SCPB(G)(H)(S)08RK★	90 Degree Plug.....	1C-78
SCPB(G)(H)(S)08RKGG★	90 Degree Plug.....	1C-79
SCPB(G)(H)(S)08SB★	90 Degree Plug.....	1C-80
SCPB(G)(H)(S)08SBF★	90 Degree Plug.....	1C-81
SCPB(G)(H)(S)08SBT★	90 Degree Plug.....	1C-82
SCPB(G)(H)(S)08ST(G)★	90 Degree Plug.....	1C-87
SCPB(G)(H)(S)08WK(G)★	90 Degree Plug.....	1C-88
SCPBH09CF52★	45 Degree Plug.....	1C-109
SCPB(H)(S)020A★	Wall Mount Receptacle.....	1C-33
SCPB020FR★	Wall Mount Receptacle.....	1C-33
SCPB(H)(S)020R★	Wall Mount Receptacle.....	1C-33
SCPBH020R52★	Front Panel Mount Receptacle.....	1C-105
SCPB(H)(S)020YM★	Wall Mount Receptacle.....	1C-34
SCPB(H)(S)030-(Dash Only)★	Wall Mount Receptacle, Rear Panel Mount.....	1C-35
SCPB(H)(S)030A★	Wall Mount Receptacle, Rear Panel Mount.....	1C-36
SCPB(H)(S)030AE★	Wall Mount Receptacle, Rear Panel Mount.....	1C-36
SCPB(H)(S)030AF★	Wall Mount Receptacle, Rear Panel Mount.....	1C-37
SCPB(H)(S)030AG★	Wall Mount Receptacle, Rear Panel Mount.....	1C-37
SCPB(H)(S)030AG2G★	Wall Mount Receptacle, Rear Panel Mount.....	1C-38
SCPB(H)(S)030APT★	Wall Mount Receptacle, Rear Panel Mount.....	1C-38
SCPB(H)(S)030ARK★	Wall Mount Receptacle, Rear Panel Mount.....	1C-39
SCPB(H)(S)030ARV★	Wall Mount Receptacle, Rear Panel Mount.....	1C-39
SCPB(H)(S)030ASB★	Wall Mount Receptacle, Rear Panel Mount.....	1C-40
SCPB(H)(S)030ASBF★	Wall Mount Receptacle, Rear Panel Mount.....	1C-40
SCPB(H)(S)030ASBT★	Wall Mount Receptacle, Rear Panel Mount.....	1C-41
SCPB(H)(S)030CF(Z)★	Wall Mount Receptacle, Rear Panel Mount.....	1C-41
SCPB(H)(S)030CMEG★	Wall Mount Receptacle, Rear Panel Mount.....	1C-42

★ Indicates additional alpha-numeric are required to complete part number



SCPB(H)(S)030E★	Wall Mount Receptacle, Rear Panel Mount	1C-36
SCPB(H)(S)030F★	Wall Mount Receptacle, Rear Panel Mount	1C-37
SCPB030FR★	Wall Mount Receptacle, Rear Panel Mount	1C-42
SCPB030FR**(C)★	Wall Mount Receptacle, Rear Panel Mount	1C-43
SCPB030FR**(PG)★	Wall Mount Receptacle, Rear Panel Mount	1C-43
SCPB030FR**(SPB)★	Wall Mount Receptacle, Rear Panel Mount	1C-44
SCPBH030FP52★	Rear Panel Mount Receptacle	1C-105
SCPB(H)(S)030G★	Wall Mount Receptacle, Rear Panel Mount	1C-37
SCPB(H)(S)030G2G★	Wall Mount Receptacle, Rear Panel Mount	1C-38
SCPB(H)(S)030LA★	Wall Mount Receptacle, Rear Panel Mount	1C-44
SCPB(H)(S)030LAF★	Wall Mount Receptacle, Rear Panel Mount	1C-45
SCPB(H)(S)030LC(G)★	Wall Mount Receptacle, Rear Panel Mount	1C-45
SCPB(H)(S)030LCF(Z)★	Wall Mount Receptacle, Rear Panel Mount	1C-46
SCPB(H)(S)030LF★	Wall Mount Receptacle, Rear Panel Mount	1C-45
SCPB(H)(S)030LR★	Wall Mount Receptacle, Rear Panel Mount	1C-44
SCPB(H)(S)030NM(G)★	Wall Mount Receptacle, Rear Panel Mount	1C-46
SCPB(H)(S)030R★	Wall Mount Receptacle, Rear Panel Mount	1C-36
SCPB(H)(S)030RK★	Wall Mount Receptacle, Rear Panel Mount	1C-39
SCPB(H)(S)030RV★	Wall Mount Receptacle, Rear Panel Mount	1C-39
SCPB(H)(S)030SB★	Wall Mount Receptacle, Rear Panel Mount	1C-40
SCPB(H)(S)030SBF★	Wall Mount Receptacle, Rear Panel Mount	1C-40
SCPB(H)(S)030SBT★	Wall Mount Receptacle, Rear Panel Mount	1C-41
SCPB(H)(S)030SL/SL1★	Wall Mount Receptacle, Rear Panel Mount	1C-47
SCPB(H)(S)030SLX/SLX1★	Wall Mount Receptacle, Rear Panel Mount	1C-47
SCPB(H)(S)030ST(G)★	Wall Mount Receptacle, Rear Panel Mount	1C-48
SCPB(H)(S)030SU(G)★	Wall Mount Receptacle, Rear Panel Mount	1C-48
SCPB(H)(S)030SV★	Wall Mount Receptacle, Rear Panel Mount	1C-49
SCPB(H)(S)030TRAC★	Wall Mount Receptacle, Rear Panel Mount	1C-49
SCPB(H)(S)030WK(G)★	Wall Mount Receptacle, Rear Panel Mount	1C-50
SCPB(H)(S)030YM★	Wall Mount Receptacle, Rear Panel Mount	1C-50
SCPB(H)(S)038A★	90 Degree Wall Mount Receptacle, Rear Panel Mount	1C-51
SCPB(H)(S)038AF★	90 Degree Wall Mount Receptacle, Rear Panel Mount	1C-51
SCPB(H)(S)038CF(Z)★	90 Degree Wall Mount Receptacle, Rear Panel Mount	1C-52
SCPB(H)(S)038F★	90 Degree Wall Mount Receptacle, Rear Panel Mount	1C-51
SCPB(H)(S)038R★	90 Degree Wall Mount Receptacle, Rear Panel Mount	1C-51
SCPB52TF★	Dust Cap for Receptacle	1C-110
SCPB52TFM★	Dust Cover	1C-110
SCPB52TV★	Dust Cap for Plug	1C-110
SCPBH064PP52★	Straight Plug	1C-108
SCPB(G)(H)(S)064PPFR★	Panel Mount Plug	1C-72
SCPB065FR**(C)★	Straight Plug	1C-73
SCPB065FR**(PG)★	Straight Plug	1C-73
SCPB065FR**(SPB)★	Straight Plug	1C-74
SCPB(G)(H)(S)065LC(G)★	Straight Plug	1C-74
SCPB(G)(H)(S)065LCF(Z)★	Straight Plug	1C-75
SCPB(H)(S)070R★	Jam Nut Receptacle	1C-53
SCPB(H)(S)070SU(G)★	Jam Nut Receptacle	1C-53
SCPB(H)(S)078A★	90 Degree Jam Nut Receptacle	1C-54
SCPB(H)(S)078AF★	90 Degree Jam Nut Receptacle	1C-54
SCPB(H)(S)078F★	90 Degree Jam Nut Receptacle	1C-54
SCPB(H)(S)078R★	90 Degree Jam Nut Receptacle	1C-54
SCPBTB(H)(S)★	Thru Bulkhead Receptacle	1C-55
SCPMD275★	Terminal Lug for 275/24 Cable	6C-15
SCPMD775★	Terminal Lug for 775/24 Cable	6C-15
SCPMD1600★	Terminal Lug for 1600/24 Cable	6C-15
SCPSE-02C	Coiled .250 Termination Band	6C-16
SCPSE-02F	Flat .250 Termination Band	6C-16
SCPSE-04C	Coiled .125 Termination Band	6C-16
SCPSE-04F	Flat .125 Termination Band	6C-16
T12-2500-★	Socket Contact, Size 18	3C-6
T12-3600-★	Socket Contact, Size 16	3C-6
T12-3608-★	Socket Contact, Size 16	3C-6
T12-3612-★	Socket Contact, Size 16	3C-6
T12-3613-★	Socket Contact, Size 16	3C-6
T12-3615-★	Socket Contact, Size 16	3C-6
T12-3620-★	Socket Contact, Size 16	3C-6
T12-3626-★	Socket Contact, Size 16	3C-6

★ Indicates additional alpha- numerics are required to complete part number

CROSS REFERENCE/INDEX

T12-4900-★	Socket Contact, Size 16S.....	3C-6
T12-4912-★	Socket Contact, Size 16S.....	3C-6
T12-4913-★	Socket Contact, Size 16S.....	3C-6
T12-4915-★	Socket Contact, Size 16S.....	3C-6
T12-4926-★	Socket Contact, Size 16S.....	3C-7
T12-6400-★	Socket Contact, Size 12.....	3C-7
T12-6408-★	Socket Contact, Size 12.....	3C-7
T12-6412-★	Socket Contact, Size 12.....	3C-7
T12-6415-★	Socket Contact, Size 12.....	3C-7
T12-6420-★	Socket Contact, Size 12.....	3C-7
T12-6422-★	Socket Contact, Size 12.....	3C-7
T12-6430-★	Socket Contact, Size 12.....	3C-7
T12-6431-★	Socket Contact, Size 12.....	3C-7
T12-6438-★	Socket Contact, Size 12.....	3C-7
T12-7900-★	Socket Contact, Size 8.....	3C-7
T12-7915-★	Socket Contact, Size 8.....	3C-7
T12-7918-★	Socket Contact, Size 8.....	3C-7
T12-7926-★	Socket Contact, Size 8.....	3C-7
T12-7930-★	Socket Contact, Size 8.....	3C-7
T12-7950-★	Socket Contact, Size 8.....	3C-7
T12-7958-★	Socket Contact, Size 8.....	3C-7
T12-8000-★	Socket Contact, Size 8.....	3C-7
T12-8015-★	Socket Contact, Size 8.....	3C-7
T12-8018-★	Socket Contact, Size 8.....	3C-7
T12-8026-★	Socket Contact, Size 8.....	3C-7
T12-8030-★	Socket Contact, Size 8.....	3C-7
T12-8050-★	Socket Contact, Size 8.....	3C-7
T12-8058-★	Socket Contact, Size 8.....	3C-7
T12-8500-★	Socket Contact, Size 4.....	3C-7
T12-8522-★	Socket Contact, Size 4.....	3C-7
T12-8525-★	Socket Contact, Size 4.....	3C-7
T12-8526-★	Socket Contact, Size 4.....	3C-7
T12-8530-★	Socket Contact, Size 4.....	3C-7
T12-8535-★	Socket Contact, Size 4.....	3C-7
T12-8550-★	Socket Contact, Size 4.....	3C-7
T12-8562-★	Socket Contact, Size 4.....	3C-7
T12-8600-★	Socket Contact, Size 4.....	3C-7
T12-8622-★	Socket Contact, Size 4.....	3C-7
T12-8625-★	Socket Contact, Size 4.....	3C-7
T12-8626-★	Socket Contact, Size 4.....	3C-7
T12-8630-★	Socket Contact, Size 4.....	3C-7
T12-8635-★	Socket Contact, Size 4.....	3C-7
T12-8650-★	Socket Contact, Size 4.....	3C-7
T12-8662-★	Socket Contact, Size 4.....	3C-7
T12-9200-★	Socket Contact, Size 1/0.....	3C-7
T12-9225-★	Socket Contact, Size 1/0.....	3C-7
T12-9235-★	Socket Contact, Size 1/0.....	3C-7
T12-9245-★	Socket Contact, Size 1/0.....	3C-7
T12-9246-★	Socket Contact, Size 1/0.....	3C-7
T12-9250-★	Socket Contact, Size 1/0.....	3C-7
T12-9275-★	Socket Contact, Size 1/0.....	3C-7
T12-9300-★	Socket Contact, Size 1/0.....	3C-7
T12-9325-★	Socket Contact, Size 1/0.....	3C-7
T12-9335-★	Socket Contact, Size 1/0.....	3C-7
T12-9345-★	Socket Contact, Size 1/0.....	3C-7
T12-9346-★	Socket Contact, Size 1/0.....	3C-7
T12-9350-★	Socket Contact, Size 1/0.....	3C-7
T12-9375-★	Socket Contact, Size 1/0.....	3C-7
T12-9700-★	Socket Contact, Size 4/0.....	3C-7
T12-9715-★	Socket Contact, Size 4/0.....	3C-7
T12-9735-★	Socket Contact, Size 4/0.....	3C-7
T12-9790-★	Socket Contact, Size 4/0.....	3C-7
TBF★-B	Thru-Bulkhead Receptacle (SCPBTB★).....	1C-4
VAMG	Conduit.....	1C-31
VAMLG	Conduit.....	1C-31
VAMLT	Conduit.....	1C-31
VAMT	Conduit.....	1C-31

★ Indicates additional alpha-numeric are required to complete part number



VCSG	Conduit.....	1C-31
VCST	Conduit.....	1C-31
VPGRB	Conduit.....	1C-29
VPIRB	Conduit.....	1C-29 & 31
97B3100★	Reverse Bayonet Wall Mount Receptacle (SCP800★).....	1C-4
97B3101★	Reverse Bayonet In-Line Receptacle (SCP801★).....	1C-4
97B3102★	Reverse Bayonet Box Mount Receptacle (SCP802★).....	1C-4
97B3103★	Reverse Bayonet Box Mount Receptacle (SCP803★).....	1C-4
97B3106★	Reverse Bayonet Straight Plug (SCP806★).....	1C-4
97B3108★	Reverse Bayonet 90 Degree Plug (SCP808★).....	1C-4
97B31020★	Reverse Bayonet Wall Mount Receptacle (SCP8020★).....	1C-4
97B31030★	Reverse Bayonet Wall Mount Receptacle (SCP8030★).....	1C-4
97B4100★	Reverse Bayonet Wall Mount Receptacle (SCP800★F80).....	1C-4
97B4101★	Reverse Bayonet In-Line Receptacle (SCP801★F80).....	1C-4
97B4102★	Reverse Bayonet Box Mount Receptacle (SCP802★F80).....	1C-4
97B4103★	Reverse Bayonet Box Mount Receptacle (SCP803★F80).....	1C-4
97B4106★	Reverse Bayonet Straight Plug (SCP806★F80).....	1C-4
97B4108★	Reverse Bayonet 90 Degree Plug (SCP808★F80).....	1C-4
97B41020★	Reverse Bayonet Wall Mount Receptacle (SCP8020★F80).....	1C-4
97B41030★	Reverse Bayonet Wall Mount Receptacle (SCP8030★F80).....	1C-4
907-10★★★-★	Thru-Bulkhead Receptacle (SCP8TB★).....	1C-4
907-2★★★-★	Thru-Bulkhead Receptacle (SCP8TB★).....	1C-4
998-1684-994	Terminal Lug for 90 Degree for 1600/24 Cable.....	6C-15
998-9775-996	Terminal Lug for 775/24 Cable.....	6C-15
998-9925-996	Terminal Lug for 925/24 Cable.....	6C-15
27911-12-T12	Pin Contact, Size 16S (R12-4912-140).....	3C-4
27911-13-T9	Pin Contact, Size 16S (R12-4913-110).....	3C-4
27911-13-T12	Pin Contact, Size 16S (R12-4913-140).....	3C-4
27911-15-T9	Pin Contact, Size 16S (R12-4915-110).....	3C-4
27911-15-T12	Pin Contact, Size 16S (R12-4915-140).....	3C-4
27911-20-T9	Pin Contact, Size 16S (R12-4920-110).....	3C-4
27911-20-T12	Pin Contact, Size 16S (R12-4920-140).....	3C-4
27911-26-T9	Pin Contact, Size 16S (R12-4926-110).....	3C-4
27911-26-T12	Pin Contact, Size 16S (R12-4926-140).....	3C-4
27911-T9	Pin Contact, Size 16S (R12-4900-110).....	3C-4
27911-T12	Pin Contact, Size 16S (R12-4900-140).....	3C-4
27913-08-T9	Pin Contact, Size 16 (R12-3608-110).....	3C-4
27913-08-T12	Pin Contact, Size 16 (R12-3608-140).....	3C-4
27913-12-T9	Pin Contact, Size 16 (R12-3612-110).....	3C-4
27913-12-T12	Pin Contact, Size 16 (R12-3612-140).....	3C-4
27913-13-T9	Pin Contact, Size 16 (R12-3613-110).....	3C-4
27913-13-T12	Pin Contact, Size 16 (R12-3613-140).....	3C-4
27913-T9	Pin Contact, Size 16 (R12-3600-110).....	3C-4
27913-T12	Pin Contact, Size 16 (R12-3600-140).....	3C-4
27913-15-T9	Pin Contact, Size 16 (R12-3615-110).....	3C-4
27913-15-T12	Pin Contact, Size 16 (R12-3615-140).....	3C-4
27913-20-T9	Pin Contact, Size 16 (R12-3620-110).....	3C-4
27913-20-T12	Pin Contact, Size 16 (R12-3620-140).....	3C-4
27913-23-T9	Pin Contact, Size 16 (R12-3632-110).....	3C-4
27913-23-T12	Pin Contact, Size 16 (R12-3632-140).....	3C-4
27913-26-T9	Pin Contact, Size 16 (R12-3626-110).....	3C-4
27913-26-T12	Pin Contact, Size 16 (R12-3626-140).....	3C-4
27914-12-T9	Pin Contact, Size 12 (R12-6412-110).....	3C-5
27914-12-T12	Pin Contact, Size 12 (R12-6412-140).....	3C-5
27914-15-T9	Pin Contact, Size 12 (R12-6415-110).....	3C-5
27914-15-T12	Pin Contact, Size 12 (R12-6415-140).....	3C-5
27914-20-T9	Pin Contact, Size 12 (R12-6420-110).....	3C-5
27914-20-T12	Pin Contact, Size 12 (R12-6420-140).....	3C-5
27914-22-T9	Pin Contact, Size 12 (R12-6422-110).....	3C-5
27914-22-T12	Pin Contact, Size 12 (R12-6422-140).....	3C-5
27914-26-T9	Pin Contact, Size 12 (R12-6400-110).....	3C-5
27914-26-T12	Pin Contact, Size 12 (R12-6400-140).....	3C-5
27914-30-T9	Pin Contact, Size 12 (R12-6430-110).....	3C-5
27914-30-T12	Pin Contact, Size 12 (R12-6430-140).....	3C-5
27914-30M-T9	Pin Contact, Size 12 (R12-6431-110).....	3C-5
27914-30M-T12	Pin Contact, Size 12 (R12-6431-140).....	3C-5
27914-38-T9	Pin Contact, Size 12 (R12-6438-110).....	3C-5

★ Indicates additional alpha-numeric are required to complete part number

CROSS REFERENCE/INDEX

27914-38-T12	Pin Contact, Size 12 (R12-6438-140).....	3C-5
27915-T9	Pin Contact, Size 8 (R12-7900-110).....	3C-5
27915-T12	Pin Contact, Size 8 (R12-7900-140).....	3C-5
27915-15-T9	Pin Contact, Size 8 (R12-7915-110).....	3C-5
27915-15-T12	Pin Contact, Size 8 (R12-7915-140).....	3C-5
27915-18-T9	Pin Contact, Size 8 (R12-7918-110).....	3C-5
27915-18-T12	Pin Contact, Size 8 (R12-7918-140).....	3C-5
27916-T9	Pin Contact, Size 4 (R12-8500-110).....	3C-5
27916-T12	Pin Contact, Size 4 (R12-8500-140).....	3C-5
27916-22-T9	Pin Contact, Size 4 (R12-8522-110).....	3C-5
27916-22-T12	Pin Contact, Size 4 (R12-8522-140).....	3C-5
27916-26-T9	Pin Contact, Size 4 (R12-8526-110).....	3C-5
27916-26-T12	Pin Contact, Size 4 (R12-8526-140).....	3C-5
27916-30-T9	Pin Contact, Size 4 (R12-8530-110).....	3C-5
27916-30-T12	Pin Contact, Size 4 (R12-8530-140).....	3C-5
27916-50-T9	Pin Contact, Size 4 (R12-8550-110).....	3C-5
27916-50-T12	Pin Contact, Size 4 (R12-8550-140).....	3C-5
27916-62-T9	Pin Contact, Size 4 (R12-8562-110).....	3C-5
27916-62-T12	Pin Contact, Size 4 (R12-8562-140).....	3C-5
27917-T9	Pin Contact, Size 1/0 (R12-9200-110).....	3C-5
27917-T12	Pin Contact, Size 1/0 (R12-9200-140).....	3C-5
27917-45-T9	Pin Contact, Size 1/0 (R12-9245-110).....	3C-5
27917-45-T12	Pin Contact, Size 1/0 (R12-9245-140).....	3C-5
27917-50-T9	Pin Contact, Size 1/0 (R12-9250-110).....	3C-5
27917-50-T12	Pin Contact, Size 1/0 (R12-9250-140).....	3C-5
27917-78-T9	Pin Contact, Size 1/0 (R12-9225-110).....	3C-5
27917-78-T12	Pin Contact, Size 1/0 (R12-9225-140).....	3C-5
27917-90-T9	Pin Contact, Size 1/0 (R12-9235-110).....	3C-5
27917-90-T12	Pin Contact, Size 1/0 (R12-9235-140).....	3C-5
27917-107-T9	Pin Contact, Size 1/0 (R12-9275-110).....	3C-5
27917-107-T12	Pin Contact, Size 1/0 (R12-9275-140).....	3C-5
27935-T9	Socket Contact, Size 8 (T12-7900-140).....	3C-7
27935-T12	Socket Contact, Size 8 (T12-8000-540).....	3C-7
27935-15-T9	Socket Contact, Size 8 (T12-7915-140).....	3C-7
27935-15-T12	Socket Contact, Size 8 (T12-8015-540).....	3C-7
27935-18-T9	Socket Contact, Size 8 (T12-7918-140).....	3C-7
27935-18-T12	Socket Contact, Size 8 (T12-8018-540).....	3C-7
27935-30-T9	Socket Contact, Size 8 (T12-7930-140).....	3C-7
27935-30-T12	Socket Contact, Size 8 (T12-8030-540).....	3C-7
27935-50-T9	Socket Contact, Size 8 (T12-7950-140).....	3C-7
27935-50-T12	Socket Contact, Size 8 (T12-8050-540).....	3C-7
27935-58-T9	Socket Contact, Size 8 (T12-7958-140).....	3C-7
27935-58-T12	Socket Contact, Size 8 (T12-8058-540).....	3C-7
27936-T9	Socket Contact, Size 4 (T12-8500-140).....	3C-7
27936-T12	Socket Contact, Size 4 (T12-8600-540).....	3C-7
27936-22-T9	Socket Contact, Size 4 (T12-8522-140).....	3C-7
27936-22-T12	Socket Contact, Size 4 (T12-8622-540).....	3C-7
27936-26-T9	Socket Contact, Size 4 (T12-8526-140).....	3C-7
27936-26-T12	Socket Contact, Size 4 (T12-8626-540).....	3C-7
27936-30-T9	Socket Contact, Size 4 (T12-8530-140).....	3C-7
27936-30-T12	Socket Contact, Size 4 (T12-8630-540).....	3C-7
27936-50-T9	Socket Contact, Size 4 (T12-8550-140).....	3C-7
27936-50-T12	Socket Contact, Size 4 (T12-8650-540).....	3C-7
27936-62-T9	Socket Contact, Size 4 (T12-8562-140).....	3C-7
27936-62-T12	Socket Contact, Size 4 (T12-8662-540).....	3C-7
27937-T9	Socket Contact, Size 1/0 (T12-9200-140).....	3C-7
27937-T12	Socket Contact, Size 1/0 (T12-9300-540).....	3C-7
27937-45-T9	Socket Contact, Size 1/0 (T12-9245-140).....	3C-7
27937-45-T12	Socket Contact, Size 1/0 (T12-9345-540).....	3C-7
27937-50-T9	Socket Contact, Size 1/0 (T12-9250-140).....	3C-7
27937-50-T12	Socket Contact, Size 1/0 (T12-9350-540).....	3C-7
27937-78-T9	Socket Contact, Size 1/0 (T12-9225-140).....	3C-7
27937-78-T12	Socket Contact, Size 1/0 (T12-9325-540).....	3C-7
27937-90-T9	Socket Contact, Size 1/0 (T12-9235-140).....	3C-7
27937-90-T12	Socket Contact, Size 1/0 (T12-9335-540).....	3C-7
27937-107-T9	Socket Contact, Size 1/0 (T12-9275-140).....	3C-7

★ Indicates additional alpha-numeric are required to complete part number



27937-107-T12	Socket Contact, Size 1/0 (T12-9375-540)	3C-7
27961-T9	Socket Contact, Size 16S (T12-4900-110)	3C-6
27961-T12	Socket Contact, Size 16S (T12-4900-140)	3C-6
27961-12-T9	Socket Contact, Size 16S (T12-4912-110)	3C-6
27961-12-T12	Socket Contact, Size 16S (T12-4912-140)	3C-6
27961-13-T9	Socket Contact, Size 16S (T12-4913-110)	3C-6
27961-13-T12	Socket Contact, Size 16S (T12-4913-140)	3C-6
27961-15-T9	Socket Contact, Size 16S (T12-4915-110)	3C-6
27961-15-T12	Socket Contact, Size 16S (T12-4915-140)	3C-6
27961-20-T9	Socket Contact, Size 16S (T12-4920-110)	3C-6
27961-20-T12	Socket Contact, Size 16S (T12-4920-140)	3C-6
27961-26-T9	Socket Contact, Size 16S (T12-4926-110)	3C-6
27961-26-T12	Socket Contact, Size 16S (T12-4926-140)	3C-6
27963-08-T9	Socket Contact, Size 16 (T12-3608-110)	3C-6
27963-08-T12	Socket Contact, Size 16 (T12-3608-140)	3C-6
27963-12-T9	Socket Contact, Size 16 (T12-3612-110)	3C-6
27963-12-T12	Socket Contact, Size 16 (T12-3612-140)	3C-6
27963-13-T9	Socket Contact, Size 16 (T12-3613-110)	3C-6
27963-13-T12	Socket Contact, Size 16 (T12-3613-140)	3C-6
27963-15-T9	Socket Contact, Size 16 (T12-3615-110)	3C-6
27963-15-T12	Socket Contact, Size 16 (T12-3615-140)	3C-6
27963-20-T9	Socket Contact, Size 16 (T12-3620-110)	3C-6
27963-20-T12	Socket Contact, Size 16 (T12-3620-140)	3C-6
27963-26-T9	Socket Contact, Size 16 (T12-3626-110)	3C-6
27963-26-T12	Socket Contact, Size 16 (T12-3626-140)	3C-6
27963-32-T9	Socket Contact, Size 16 (T12-3632-110)	3C-6
27963-32-T12	Socket Contact, Size 16 (T12-3632-140)	3C-6
27963-T9	Socket Contact, Size 16 (T12-3600-110)	3C-6
27963-T12	Socket Contact, Size 16 (T12-3600-140)	3C-6
27964-12-T9	Socket Contact, Size 12 (T12-6412-110)	3C-7
27964-12-T12	Socket Contact, Size 12 (T12-6412-140)	3C-7
27964-15-T9	Socket Contact, Size 12 (T12-6415-110)	3C-7
27964-15-T12	Socket Contact, Size 12 (T12-6415-140)	3C-7
27964-20-T9	Socket Contact, Size 12 (T12-6420-110)	3C-7
27964-20-T12	Socket Contact, Size 12 (T12-6420-140)	3C-7
27964-22-T9	Socket Contact, Size 12 (T12-6422-110)	3C-7
27964-22-T12	Socket Contact, Size 12 (T12-6422-140)	3C-7
27964-26-T9	Socket Contact, Size 12 (T12-6400-110)	3C-7
27964-26-T12	Socket Contact, Size 12 (T12-6400-140)	3C-7
27964-30-T9	Socket Contact, Size 12 (T12-6430-110)	3C-7
27964-30-T12	Socket Contact, Size 12 (T12-6430-140)	3C-7
27964-30M-T9	Socket Contact, Size 12 (T12-6431-110)	3C-7
27964-30M-T12	Socket Contact, Size 12 (T12-6431-140)	3C-7
27964-38-T9	Socket Contact, Size 12 (T12-6438-110)	3C-7
27964-38-T12	Socket Contact, Size 12 (T12-6438-140)	3C-7
29915-30-T9	Pin Contact, Size 8 (R12-7930-110)	3C-5
29915-30-T12	Pin Contact, Size 8 (R12-7930-140)	3C-5
29915-50-T9	Pin Contact, Size 8 (R12-7950-110)	3C-5
29915-50-T12	Pin Contact, Size 8 (R12-7950-140)	3C-5
29915-58-T9	Pin Contact, Size 8 (R12-7958-110)	3C-5
29915-58-T12	Pin Contact, Size 8 (R12-7958-140)	3C-5
46740P-T9	Pin Contact, Size 18 (R12-2500-110)	3C-4
46740P-T12	Pin Contact, Size 18 (R12-2500-140)	3C-4
46740S-T9	Socket Contact, Size 18 (T12-2500-110)	3C-6
46740S-T12	Socket Contact, Size 18 (T12-2500-140)	3C-6
47107-90-T9	Pin Contact, Size 4/0 (R12-9790-110)	3C-5
47107-90-T12	Pin Contact, Size 4/0 (R12-9790-140)	3C-5
47107-115-T9	Pin Contact, Size 4/0 (R12-97115-110)	3C-5
47107-115-T12	Pin Contact, Size 4/0 (R12-97115-140)	3C-5
47107-135-T9	Pin Contact, Size 4/0 (R12-97135-110)	3C-5
47107-135-T12	Pin Contact, Size 4/0 (R12-97135-140)	3C-5
47107-165-T9	Pin Contact, Size 4/0 (R12-9700-110)	3C-5
47107-165-T12	Pin Contact, Size 4/0 (R12-9700-140)	3C-5
47114-90-T9	Socket Contact, Size 4/0 (T12-9790-140)	3C-5
47114-90-T12	Socket Contact, Size 4/0 (T12-9790-540)	3C-5
47114-115-T9	Socket Contact, Size 4/0 (T12-9715-140)	3C-5

★ Indicates additional alpha-numeric are required to complete part number

CROSS REFERENCE/INDEX

47114-115-T12	Socket Contact, Size 4/0 (T12-9715-540)	3C-5
47114-135-T9	Socket Contact, Size 4/0 (T12-9735-140)	3C-5
47114-135-T12	Socket Contact, Size 4/0 (T12-9735-540)	3C-5
47114-165-T9	Socket Contact, Size 4/0 (T12-9700-140)	3C-5
47114-165-T12	Socket Contact, Size 4/0 (T12-9700-540)	3C-5
46646-0	Pin Contact, Size 1/0 (R12-9246-110)	3C-5
46647-0	Socket Contact, Size 1/0 (T12-9246-510)	3C-7

★ Indicates additional alpha-numeric are required to complete part number



We've Got You Covered



Contact
Spacecraft's
Consultative Sales Team
for Ordering Information



YOUR
**CONNECTOR
CONSULTANT**
SINCE 1962

 **SPACECRAFT
COMPONENTS CORP.**

702.851.7600

SPACECRAFT COMPONENTS CORP.

Your Connector Consultant Since 1962



SCP 5015 STYLE
CONNECTORS
(CATALOG 102)



SCPT 26482 STYLE
SC1 38999 SERIES I
SC2 38999 SERIES II
SC39 38999 SERIES III
(CATALOG 202)



SCP SERIES
(CATALOG 302)



CONNECTOR
ACCESSORIES
(CATALOG 402)



CONNECTORS
WITH INTEGRATED
BACKSHELLS
(CATALOG 601)

Try our other
connector
products.



**SPACECRAFT
COMPONENTS CORP.**

Headquarters

3040 Clayton Street
North Las Vegas, NV 89032

Phone: 702.851.7600
Fax: 702.851.7620

Email: salesinfo@spacecraft.com
Web: www.spacecraft.com

Florida Office

4577 Nob Hill Road
Suite 106
Sunrise, FL 33351
Tel: 954.748.4540
Fax: 954.748.4128

Arizona Office

519 W. Lone Cactus Dr.
Suite 401
Phoenix, AZ 85027
Tel: 623.580.1162
Fax: 623.580.1165

Italy Office

Spacecraft Components, sp A
Milan, Italy
+39 (335) 719.4512

Mexico Office

Av. Constituyentes 13-6 Col. Pueblo Nuevo
Queretaro, Qro 76900
+52 442 341 69 63

JUN.2013
CAT-302

COMPILED AND PRODUCED BY SPACECRAFT COMPONENTS CORP.
©2013 SPACECRAFT COMPONENTS CORP., NORTH LAS VEGAS, NV 89032