



Crown Connector



WHEN YOU NEED THE BEST IN
5015 CONNECTORS



**Crown
Connector**

702-802-2555

www.crownconnector.com

5015 Connectors	2
Reverse Bayonet Connectors	12
Ordnance Connectors & Accessories	22
Insert Configurations	27
Accessories	40
Index	45

5015 SPECIAL FEATURES

Crown can supply connectors with the following:

1. Plugs with a self-locking coupling nut, which eliminates the need for safety wire. A low-cost coupling mechanism is available for all series.
2. Our connectors can provide superior EMI/RFI shielding by:
 - A. Providing full accessory teeth at the rear of the connector shell, thus minimizing "leakage."
 - B. To further enhance performance, plugs can be supplied with grounding fingers around the outside of the barrel.
 - C. Receptacles can be supplied with an internal grounding spring.
3. Shells/hardware can be provided in a high impact/strength aluminum as well as carbon steel, 300 series stainless and naval brass.
4. A wide range of finishes are available:
 - A. Anodize - both hard and soft
 - B. Cadmium to pass 48, 96, 500 or 1000 hours salt spray
 - C. Electroless nickel
 - D. Zinc Boron
 - E. Black zinc
 - F. Nickel teflon
5. Standard insert material is neoprene, but can be provided in fuel-resistant Viton or halogen-free neoprene.
6. Various backshell configurations are available for environmental and non-environmental applications together with EMI/RFI protection.

Crown Connector

3060 North Walnut Road, Unit 160
North Las Vegas, NV 89115

Cage Code: 51009

5015 SOLDER

ORDERING INFORMATION

CR 3100 A 28 21 P W F80

CROWN PREFIX

SHELL STYLE

See Table I below.
Illustrated on pages 3 thru 11.

BACKEND TERMINATIONS/CLASS

See Table II below.

SHELL SIZE

INSERT CONFIGURATION

Per MIL-STD-1651.
See pages 27 thru 32 for codes and illustrations.

CONTACT STYLE

P Pin contacts.
S Socket Contacts.

ALTERNATE POSITION (POLARIZATION)

Blank (Normal) W, X, Y, Z
See pages 27 thru 32.

MODIFICATION

Blank Contacts: Solder Type Supplied.
-A95 Contacts: Gold Plated per MIL-G-45204 Type II, Class 2 Over Nickel.
-A134 Contacts: Gold Plated per MIL-G-45204 Type II, Class 2 Over Gold Flash per MIL-G-45204 Type I Over Copper Plate per MIL-C-14550, Class 4.
-C2 Chemical Film, per MIL-C-5541.
-F0 Connector Less Contacts.
-F28 Cinch Nut Mounting.
-F80 AWG Crimp Contacts Supplied with, but Not Installed in Connector.
-H Hex Coupling Nut.
-SS Passivated Stainless Steel.
-Z3 Zinc Nickel Colbalt, Olive Drab.
-Z9 Zinc Nickel Colbalt, Black.
-1 Electroless Nickel.
-11 Supplied Unmarked.
-12 MS3057-*A Less Bushing.
-14 Supplied Less End Bell.
-17 Supplied with Gasket for Plug or Receptacle.
-18 MS3057-*A with Bushing.
-142 Contacts: .000030 Gold Over .000050 Nickel.
 For other codes, contact Sales Dept.

TABLE I. SHELL STYLE

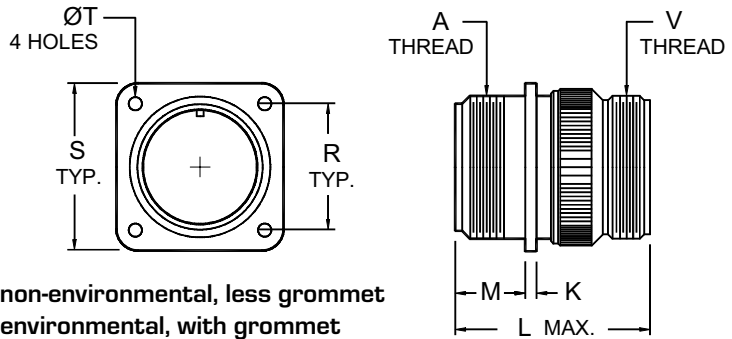
Shell Style	Description
3100	Wall mount receptacle
3101	In-line receptacle
3102	Box mount receptacle
3103P	Wall mount receptacle, potting seal
3104	Jam Nut receptacle
3106	Straight plug
3106P	Straight plug, potting seal
3108	90° Plug

TABLE II. CLASS

Code	Description	Environmental	Grommet
A	Threaded adapter	No	No
B	Threaded adapter	Yes	Yes
E	Threaded adapter	Yes	No
D	Backshell, 2 piece with MS3057*A Clamp	Yes	No
F	Backshell, 2 piece with MS3057*A Clamp	Yes	Yes
K	Backshell, 2 piece with MS3057*C Clamp	Yes	No
P	Potting boot	Yes	No

WALL MOUNT RECEPTACLES

CR3100A, B, D, E, F



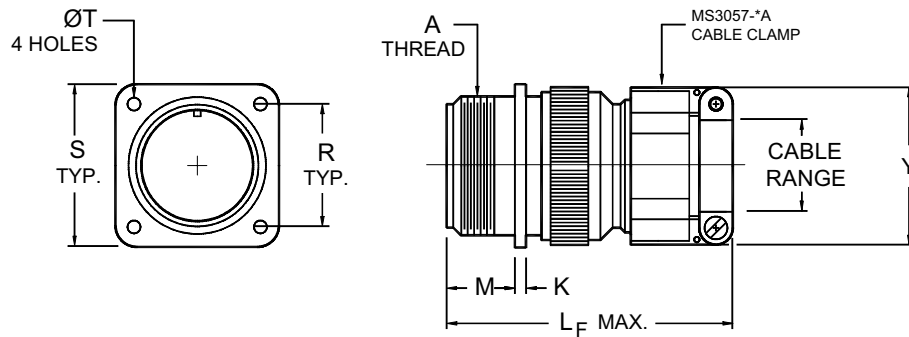
CR3100A Threaded adapter, non-environmental, less grommet

CR3100B Threaded adapter, environmental, with grommet

CR3100E Threaded adapter, environmental, less grommet

Shell Size	A Coupling Thread Class 2A	K		L Max.	M +.031 -.000 (+0.79 -0.00)	R ±.005 (±0.13)	S ±.031 (±0.79)	T +.010 -.005 (+0.25 -0.13)	V Accessory Thread Class 2A
		Min.	Max.						
10SL	5/8-24 UNEF	.156 (3.96)	.062 (1.57)	1.531 (38.89)	.562 (14.27)	.719 (18.26)	1.000 (25.40)	.120 (3.05)	5/8-24 UNEF
12	3/4-20 UNEF	.156 (3.96)	.062 (1.57)	2.062 (52.37)	.750 (19.05)	.812 (20.62)	1.094 (27.79)	.120 (3.05)	5/8-24 UNEF
12S	3/4-20 UNEF	.156 (3.96)	.062 (1.57)	1.688 (42.88)	.562 (14.27)	.812 (20.62)	1.094 (27.79)	.120 (3.05)	5/8-24 UNEF
14	7/8-20 UNEF	.156 (3.96)	.062 (1.57)	2.062 (52.37)	.750 (19.05)	.906 (23.01)	1.188 (30.18)	.120 (3.05)	3/4-20 UNEF
14S	7/8-20 UNEF	.156 (3.96)	.062 (1.57)	1.688 (42.88)	.562 (14.27)	.906 (23.01)	1.188 (30.18)	.120 (3.05)	3/4-20 UNEF
16	1-20 UNEF	.156 (3.96)	.062 (1.57)	2.062 (52.37)	.750 (19.05)	.969 (24.61)	1.281 (32.54)	.120 (3.05)	7/8-20 UNEF
16S	1-20 UNEF	.156 (3.96)	.062 (1.57)	1.688 (42.88)	.562 (14.27)	.969 (24.61)	1.281 (32.54)	.120 (3.05)	7/8-20 UNEF
18	1 1/8-18 UNEF	.203 (5.16)	.094 (2.39)	2.062 (52.37)	.750 (19.05)	1.062 (26.97)	1.375 (34.92)	.120 (3.05)	1-20 UNEF
20	1 1/4-18 UNEF	.203 (5.16)	.094 (2.39)	2.188 (55.58)	.750 (19.05)	1.156 (29.36)	1.500 (38.10)	.120 (3.05)	1 3/16-18 UNEF
22	1 3/8-18 UNEF	.203 (5.16)	.094 (2.39)	2.188 (55.58)	.750 (19.05)	1.250 (31.75)	1.625 (41.27)	.120 (3.05)	1 3/16-18 UNEF
24	1 1/2-18 UNEF	.203 (5.16)	.094 (2.39)	2.312 (58.72)	.812 (20.62)	1.375 (34.92)	1.750 (44.45)	.147 (3.73)	1 7/16-18 UNEF
28	1 3/4-18 UNS	.203 (5.16)	.094 (2.39)	2.312 (58.72)	.812 (20.62)	1.562 (39.67)	2.000 (50.80)	.147 (3.73)	1 7/16-18 UNEF
32	2-18 UNS	.359 (9.12)	.125 (3.17)	2.438 (61.93)	.875 (22.22)	1.750 (44.45)	2.250 (57.15)	.173 (4.39)	1 3/4-18 UNS

Dimensions are shown in Inches (mm).



CR3100D Two (2) piece backshell w/ MS3057 *A clamp, non-environmental, less grommet

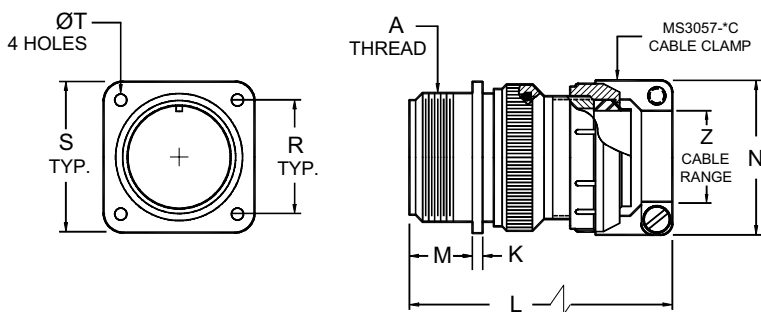
CR3100F Two (2) piece backshell w/ MS3057 *A clamp, environmental, with grommet[Ⓞ]

Shell Size	A Coupling Thread Class 2A	K		L _F Max.	M +.031 -.000 (+0.79 -0.00)	R ±.005 (±0.13)	S ±.031 (±0.79)	T +.010 -.005 (+0.25 -0.13)	Y ±.020 (±0.51)	Cable Range	
		Min.	Max.							Open	Closed
10SL	5/8-24 UNEF	.156 (3.96)	.062 (1.57)	2.300 (58.42)	.562 (14.27)	.719 (18.26)	1.000 (25.40)	.120 (3.05)	.938 (23.83)	.312 (7.92)	.125 (3.18)
12	3/4-20 UNEF	.156 (3.96)	.062 (1.57)	2.900 (73.66)	.750 (19.05)	.812 (20.62)	1.094 (27.79)	.120 (3.05)	.938 (23.83)	.312 (7.92)	.125 (3.18)
12S	3/4-20 UNEF	.156 (3.96)	.062 (1.57)	2.500 (63.50)	.562 (14.27)	.812 (20.62)	1.094 (27.79)	.120 (3.05)	.938 (23.83)	.312 (7.92)	.125 (3.18)
14	7/8-20 UNEF	.156 (3.96)	.062 (1.57)	2.900 (73.66)	.750 (19.05)	.906 (23.01)	1.188 (30.18)	.120 (3.05)	1.125 (28.58)	.438 (11.13)	.250 (6.35)
14S	7/8-20 UNEF	.156 (3.96)	.062 (1.57)	2.500 (63.50)	.562 (14.27)	.906 (23.01)	1.188 (30.18)	.120 (3.05)	1.125 (28.58)	.438 (11.13)	.250 (6.35)
16	1-20 UNEF	.156 (3.96)	.062 (1.57)	2.900 (73.66)	.750 (19.05)	.969 (24.61)	1.281 (32.54)	.120 (3.05)	1.312 (33.32)	.562 (14.27)	.312 (7.92)
16S	1-20 UNEF	.156 (3.96)	.062 (1.57)	2.500 (63.50)	.562 (14.27)	.969 (24.61)	1.281 (32.54)	.120 (3.05)	1.312 (33.32)	.562 (14.27)	.312 (7.92)
18	1 1/8-18 UNEF	.203 (5.16)	.094 (2.39)	2.900 (73.66)	.750 (19.05)	1.062 (26.97)	1.375 (34.92)	.120 (3.05)	1.312 (33.32)	.625 (15.88)	.350 (8.89)
20	1 1/4-18 UNEF	.203 (5.16)	.094 (2.39)	3.000 (76.20)	.750 (19.05)	1.156 (29.36)	1.500 (38.10)	.120 (3.05)	1.531 (38.89)	.750 (19.05)	.500 (12.70)
22	1 3/8-18 UNEF	.203 (5.16)	.094 (2.39)	3.000 (76.20)	.750 (19.05)	1.250 (31.75)	1.625 (41.27)	.120 (3.05)	1.531 (38.89)	.750 (19.05)	.500 (12.70)
24	1 1/2-18 UNEF	.203 (5.16)	.094 (2.39)	3.250 (82.55)	.812 (20.62)	1.375 (34.92)	1.750 (44.45)	.147 (3.73)	1.750 (44.45)	.938 (23.83)	.625 (15.88)
28	1 3/4-18 UNS	.203 (5.16)	.094 (2.39)	3.250 (82.55)	.812 (20.62)	1.562 (39.67)	2.000 (50.80)	.147 (3.73)	1.750 (44.45)	.938 (23.83)	.625 (15.88)
32	2-18 UNS	.359 (9.12)	.125 (3.17)	3.600 (91.44)	.875 (22.22)	1.750 (44.45)	2.250 (57.15)	.173 (4.39)	2.093 (53.16)	1.250 (31.75)	.875 (22.23)

Dimensions are shown in Inches (mm). [Ⓞ] Plug has "O" ring under coupling nut.

WALL MOUNT RECEPTACLES

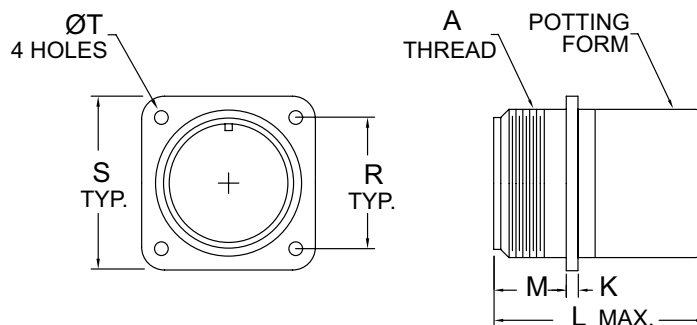
CR3100K / CR3103P



CR3100K Two (2) piece backshell w/ MS3057 *C clamp, environmental, less grommet

Shell Size	A Coupling Thread Class 2A	K		L Max.		M +.031 -.000 (+.079 -.000)	N Max.	R ±.005 (±0.13)	S ±.031 (±0.79)	T +.010 -.005 (+.025 -.013)	Cable Clamp	Z Cable Range	
		Min.	Max.	K Series	LCF Series							Free	Closed
10SL	5/8-24 UNEF	.156 (3.96)	.062 (1.57)	2.300 (58.42)	4.00 (101.6)	.562 (14.27)	.937 (23.80)	.719 (18.26)	1.000 (25.40)	.120 (3.05)	MS3057-4C	.312 (7.92)	.094 (2.39)
12	3/4-20 UNEF	.156 (3.96)	.062 (1.57)	2.900 (73.66)	4.50 (114.0)	.750 (19.05)	.937 (23.80)	.812 (20.62)	1.094 (27.79)	.120 (3.05)	MS3057-4C	.312 (7.92)	.094 (2.39)
12S	3/4-20 UNEF	.156 (3.96)	.062 (1.57)	2.500 (63.50)	4.00 (101.6)	.562 (14.27)	.937 (23.80)	.812 (20.62)	1.094 (27.79)	.120 (3.05)	MS3057-4C	.312 (7.92)	.094 (2.39)
14	7/8-20 UNEF	.156 (3.96)	.062 (1.57)	2.900 (73.66)	4.50 (114.0)	.750 (19.05)	1.062 (26.97)	.906 (23.01)	1.188 (30.18)	.120 (3.05)	MS3057-6C	.438 (11.13)	.250 (6.35)
14S	7/8-20 UNEF	.156 (3.96)	.062 (1.57)	2.500 (63.50)	4.00 (101.6)	.562 (14.27)	1.062 (26.97)	.906 (23.01)	1.188 (30.18)	.120 (3.05)	MS3057-6C	.438 (11.13)	.250 (6.35)
16	1-20 UNEF	.156 (3.96)	.062 (1.57)	2.900 (73.66)	4.50 (114.0)	.750 (19.05)	1.188 (30.18)	.969 (24.61)	1.281 (32.54)	.120 (3.05)	MS3057-8C	.531 (13.49)	.312 (7.92)
16S	1-20 UNEF	.156 (3.96)	.062 (1.57)	2.500 (63.50)	4.00 (101.6)	.562 (14.27)	1.188 (30.18)	.969 (24.61)	1.281 (32.54)	.120 (3.05)	MS3057-8C	.531 (13.49)	.312 (7.92)
18	1 1/8-18 UNEF	.203 (5.16)	.094 (2.39)	2.900 (73.66)	4.69 (119.0)	.750 (19.05)	1.312 (33.32)	1.062 (26.97)	1.375 (34.92)	.120 (3.05)	MS3057-10C	.625 (15.88)	.375 (9.52)
20	1 1/4-18 UNEF	.203 (5.16)	.094 (2.39)	3.000 (76.20)	4.69 (119.0)	.750 (19.05)	1.562 (39.67)	1.156 (29.36)	1.500 (38.10)	.120 (3.05)	MS3057-12C	.750 (19.05)	.500 (12.70)
22	1 3/8-18 UNEF	.203 (5.16)	.094 (2.39)	3.000 (76.20)	4.69 (119.0)	.750 (19.05)	1.562 (39.67)	1.250 (31.75)	1.625 (41.27)	.120 (3.05)	MS3057-12C	.750 (19.05)	.500 (12.70)
24	1 1/2-18 UNEF	.203 (5.16)	.094 (2.39)	3.250 (82.55)	4.90 (124.2)	.812 (20.62)	1.750 (44.45)	1.375 (34.92)	1.750 (44.45)	.147 (3.73)	MS3057-16C	.938 (23.83)	.594 (15.09)
28	1 3/4-18 UNS	.203 (5.16)	.094 (2.39)	3.250 (82.55)	5.13 (130.0)	.812 (20.62)	1.750 (44.45)	1.562 (39.67)	2.000 (50.80)	.147 (3.73)	MS3057-16C	.938 (23.83)	.594 (15.09)
32	2-18 UNS	.359 (9.12)	.125 (3.17)	3.600 (91.44)	5.39 (137.0)	.875 (22.22)	2.250 (57.15)	1.750 (44.45)	2.250 (57.15)	.173 (4.39)	MS3057-20C	1.250 (31.75)	.938 (23.83)

Dimensions are shown in Inches (mm).



CR3103P Environmental potting seal

Shell Size	A Coupling Thread Class 2A	K		L Max.	M +.031 -.000 (+.079 -.000)	R ±.005 (±0.13)	S ±.031 (±0.79)	T +.010 -.005 (+.025 -.013)
		Min.	Max.					
10SL	5/8-24 UNEF	.156 (3.96)	.062 (1.57)	1.531 (38.89)	.562 (14.27)	.719 (18.26)	1.000 (25.40)	.120 (3.05)
12	3/4-20 UNEF	.156 (3.96)	.062 (1.57)	1.968 (49.99)	.750 (19.05)	.812 (20.62)	1.094 (27.79)	.120 (3.05)
12S	3/4-20 UNEF	.156 (3.96)	.062 (1.57)	1.531 (38.89)	.562 (14.27)	.812 (20.62)	1.094 (27.79)	.120 (3.05)
14	7/8-20 UNEF	.156 (3.96)	.062 (1.57)	1.968 (49.99)	.750 (19.05)	.906 (23.01)	1.188 (30.18)	.120 (3.05)
14S	7/8-20 UNEF	.156 (3.96)	.062 (1.57)	1.531 (38.89)	.562 (14.27)	.906 (23.01)	1.188 (30.18)	.120 (3.05)
16	1-20 UNEF	.156 (3.96)	.062 (1.57)	1.968 (49.99)	.750 (19.05)	.969 (24.61)	1.281 (32.54)	.120 (3.05)
16S	1-20 UNEF	.156 (3.96)	.062 (1.57)	1.531 (38.89)	.562 (14.27)	.969 (24.61)	1.281 (32.54)	.120 (3.05)
18	1 1/8-18 UNEF	.203 (5.16)	.094 (2.39)	1.968 (49.99)	.750 (19.05)	1.062 (26.97)	1.375 (34.92)	.120 (3.05)
20	1 1/4-18 UNEF	.203 (5.16)	.094 (2.39)	2.188 (55.58)	.750 (19.05)	1.156 (29.36)	1.500 (38.10)	.120 (3.05)
22	1 3/8-18 UNEF	.203 (5.16)	.094 (2.39)	2.188 (55.58)	.750 (19.05)	1.250 (31.75)	1.625 (41.27)	.120 (3.05)
24	1 1/2-18 UNEF	.203 (5.16)	.094 (2.39)	2.188 (55.58)	.812 (20.62)	1.375 (34.92)	1.750 (44.45)	.147 (3.73)
28	1 3/4-18 UNS	.203 (5.16)	.094 (2.39)	2.188 (55.58)	.812 (20.62)	1.562 (39.67)	2.000 (50.80)	.147 (3.73)
32	2-18 UNS	.359 (9.12)	.125 (3.17)	2.188 (55.58)	.875 (22.22)	1.750 (44.45)	2.250 (57.15)	.173 (4.39)

Dimensions are shown in Inches (mm).

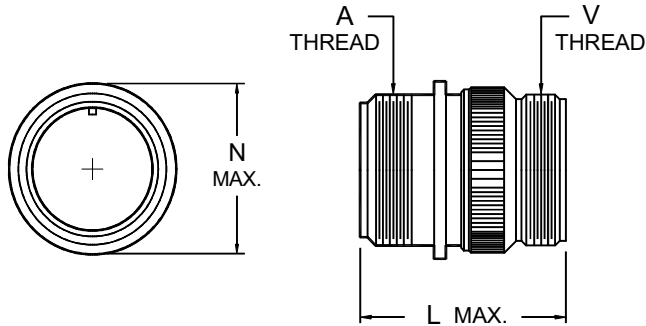
IN-LINE RECEPTACLES

CR3101A, B, D, E, F

CR3101A Threaded adapter, non-environmental, less grommet

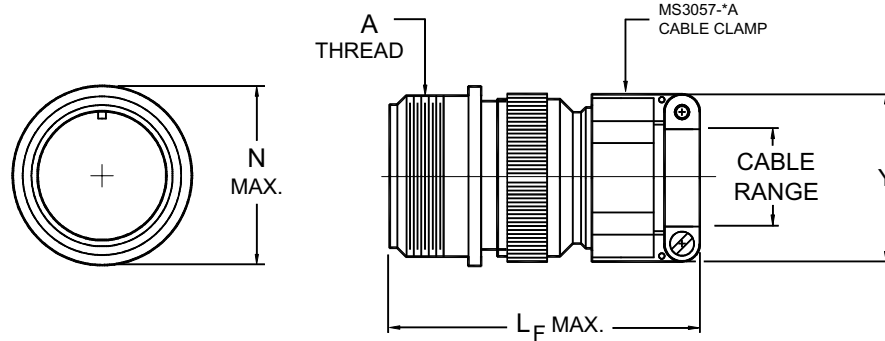
CR3101B Threaded adapter, environmental, with grommet

CR3101E Threaded adapter, environmental, less grommet



Shell Size	A Coupling Thread Class 2A	L Max.	N Max.	V Accessory Thread Class 2A
8S	1/2-28 UNEF	1.469 (37.31)	.844 (21.44)	1/2-28 UNEF
10S	5/8-24 UNEF	1.531 (38.89)	.969 (24.61)	1/2-28 UNEF
10SL	5/8-24 UNEF	1.531 (38.89)	1.062 (26.97)	5/8-24 UNEF
12	3/4-20 UNEF	1.688 (42.88)	1.062 (26.97)	5/8-24 UNEF
12S	3/4-20 UNEF	1.688 (42.88)	1.062 (26.97)	5/8-24 UNEF
14	7/8-20 UNEF	2.062 (52.37)	1.156 (29.36)	3/4-20 UNEF
14S	7/8-20 UNEF	1.688 (42.88)	1.156 (29.36)	3/4-20 UNEF
16	1-20 UNEF	2.062 (52.37)	1.250 (31.75)	7/8-20 UNEF
16S	1-20 UNEF	1.688 (42.88)	1.250 (31.75)	7/8-20 UNEF
18	1 1/8-18 UNEF	2.062 (52.37)	1.344 (34.14)	1-20 UNEF
20	1 1/4-18 UNEF	2.188 (55.58)	1.496 (38.00)	1 3/16-18 UNEF
22	1 3/8-18 UNEF	2.188 (55.58)	1.594 (40.49)	1 3/16-18 UNEF
24	1 1/2-18 UNEF	2.312 (58.72)	1.719 (43.66)	1 7/16-18 UNEF
28	1 3/4-18 UNS	2.312 (58.72)	1.969 (50.01)	1 7/16-18 UNEF
32	2-18 UNS	2.438 (61.93)	2.219 (56.36)	1 3/4-18 UNS
36	2 1/4-16 UN	2.438 (61.93)	2.469 (62.71)	2-18 UNS
40	2 1/2-16 UN	2.438 (61.93)	2.719 (69.06)	2 1/4-16 UN
44	2 3/4-16 UN	2.562 (65.07)	2.969 (75.41)	2 1/2-16 UN
48	3-16 UN	2.562 (65.07)	3.219 (81.76)	3-16 UN

Dimensions are shown in Inches (mm).



CR3101D Two (2) piece backshell w/ MS3057 *A clamp, non-environmental, less grommet

CR3101F Two (2) piece backshell w/ MS3057 *A clamp, environmental, with grommet[Ⓞ]

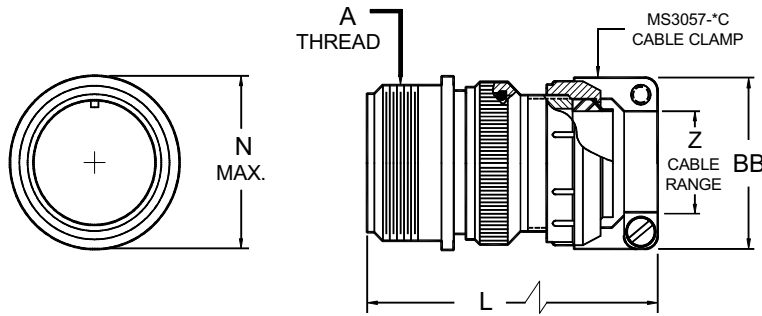
Shell Size	A Coupling Thread Class 2A	L _F Max.	N Max.	Y ±.020 (±0.51)	Cable Range	
					Open	Closed
10SL	5/8-24 UNEF	2.300 (58.42)	1.062 (26.97)	.938 (23.83)	.312 (7.92)	.125 (3.18)
12	3/4-20 UNEF	2.900 (73.66)	1.062 (26.97)	.938 (23.83)	.312 (7.92)	.125 (3.18)
12S	3/4-20 UNEF	2.500 (63.50)	1.062 (26.97)	.938 (23.83)	.312 (7.92)	.125 (3.18)
14	7/8-20 UNEF	2.900 (73.66)	1.156 (29.36)	1.125 (28.58)	.438 (11.13)	.250 (6.35)
14S	7/8-20 UNEF	2.500 (63.50)	1.156 (29.36)	1.125 (28.58)	.438 (11.13)	.250 (6.35)
16	1-20 UNEF	2.900 (73.66)	1.250 (31.75)	1.312 (33.32)	.562 (14.27)	.312 (7.92)
16S	1-20 UNEF	2.500 (63.50)	1.250 (31.75)	1.312 (33.32)	.562 (14.27)	.312 (7.92)
18	1 1/8-18 UNEF	2.900 (73.66)	1.344 (34.14)	1.312 (33.32)	.625 (15.88)	.350 (8.89)
20	1 1/4-18 UNEF	3.000 (76.20)	1.496 (38.00)	1.531 (38.89)	.750 (19.05)	.500 (12.70)
22	1 3/8-18 UNEF	3.000 (76.20)	1.594 (40.49)	1.531 (38.89)	.750 (19.05)	.500 (12.70)
24	1 1/2-18 UNEF	3.250 (82.55)	1.719 (43.66)	1.750 (44.45)	.938 (23.83)	.625 (15.88)
28	1 3/4-18 UNS	3.250 (82.55)	1.969 (50.01)	1.750 (44.45)	.938 (23.83)	.625 (15.88)
32	2-18 UNS	3.600 (91.44)	2.219 (56.36)	2.093 (53.16)	1.250 (31.75)	.875 (22.23)

Dimensions are shown in Inches (mm).

Ⓞ Plug has "O" ring under coupling nut.

IN-LINE & BOX MOUNT RECEPTACLES

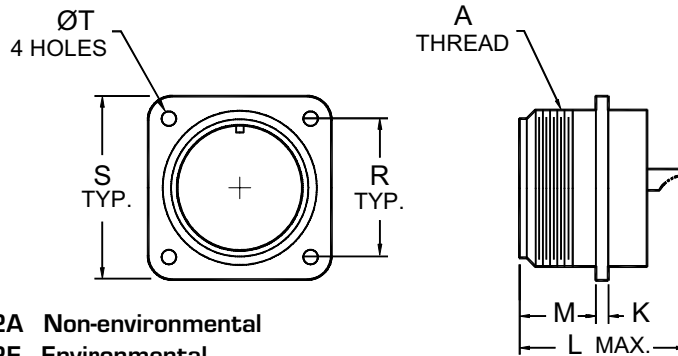
CR3101K / CR3102A, E



CR3101K Two (2) piece backshell w/ MS3057 *C clamp, environmental, less grommet

Shell Size	A Coupling Thread Class 2A	BB Max.	L Max.		N Max.	Cable Clamp	Z Cable Range	
			K Series	LCF Series			Free	Closed
10SL	5/8-24 UNEF	.937 (23.80)	2.300 (58.42)	4.00 (101.6)	1.062 (26.97)	MS3057-4C	.312 (7.92)	.094 (2.39)
12	3/4-20 UNEF	.937 (23.80)	2.900 (73.66)	4.50 (114.0)	1.062 (26.97)	MS3057-4C	.312 (7.92)	.094 (2.39)
12S	3/4-20 UNEF	.937 (23.80)	2.500 (63.50)	4.00 (101.6)	1.062 (26.97)	MS3057-4C	.312 (7.92)	.094 (2.39)
14	7/8-20 UNEF	1.062 (26.97)	2.900 (73.66)	4.50 (114.0)	1.156 (29.36)	MS3057-6C	.438 (11.13)	.250 (6.35)
14S	7/8-20 UNEF	1.062 (26.97)	2.500 (63.50)	4.00 (101.6)	1.156 (29.36)	MS3057-6C	.438 (11.13)	.250 (6.35)
16	1-20 UNEF	1.188 (30.18)	2.900 (73.66)	4.50 (114.0)	1.250 (31.75)	MS3057-8C	.531 (13.49)	.312 (7.92)
16S	1-20 UNEF	1.188 (30.18)	2.500 (63.50)	4.00 (101.6)	1.250 (31.75)	MS3057-8C	.531 (13.49)	.312 (7.92)
18	1 1/8-18 UNEF	1.312 (33.32)	2.900 (73.66)	4.69 (119.0)	1.344 (34.14)	MS3057-10C	.625 (15.88)	.375 (9.52)
20	1 1/4-18 UNEF	1.562 (39.67)	3.000 (76.20)	4.69 (119.0)	1.496 (38.00)	MS3057-12C	.750 (19.05)	.500 (12.70)
22	1 3/8-18 UNEF	1.562 (39.67)	3.000 (76.20)	4.69 (119.0)	1.594 (40.49)	MS3057-12C	.750 (19.05)	.500 (12.70)
24	1 1/2-18 UNEF	1.750 (44.45)	3.250 (82.55)	4.90 (124.2)	1.719 (43.66)	MS3057-16C	.938 (23.83)	.594 (15.09)
28	1 3/4-18 UNS	1.750 (44.45)	3.250 (82.55)	5.13 (130.0)	1.969 (50.01)	MS3057-16C	.938 (23.83)	.594 (15.09)
32	2-18 UNS	2.250 (57.15)	3.600 (91.44)	5.39 (137.0)	2.219 (56.36)	MS3057-20C	1.250 (31.75)	.938 (23.83)

Dimensions are shown in Inches (mm).



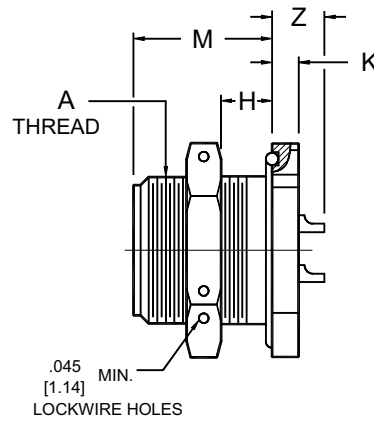
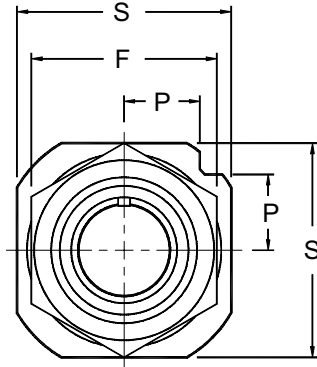
CR3102A Non-environmental
CR3102E Environmental

Shell Size	A Coupling Thread Class 2A	K		L Max.	M +.031 -.000 (+.079 -.000)	R ±.005 (±0.13)	S ±.031 (±0.79)	T +.010 -.005 (+.025 -.013)
		Max.	Min.					
10SL	5/8-24 UNEF	.156 (3.96)	.062 (1.57)	1.219 (30.96)	.562 (14.27)	.719 (18.26)	1.000 (25.40)	.120 (3.05)
12	3/4-20 UNEF	.156 (3.96)	.062 (1.57)	1.625 (41.28)	.750 (19.05)	.812 (20.62)	1.094 (27.79)	.120 (3.05)
12S	3/4-20 UNEF	.156 (3.96)	.062 (1.57)	1.219 (30.96)	.562 (14.27)	.812 (20.62)	1.094 (27.79)	.120 (3.05)
14	7/8-20 UNEF	.156 (3.96)	.062 (1.57)	1.625 (41.28)	.750 (19.05)	.906 (23.01)	1.188 (30.18)	.120 (3.05)
14S	7/8-20 UNEF	.156 (3.96)	.062 (1.57)	1.219 (30.96)	.562 (14.27)	.906 (23.01)	1.188 (30.18)	.120 (3.05)
16	1-20 UNEF	.156 (3.96)	.062 (1.57)	1.625 (41.28)	.750 (19.05)	.969 (24.61)	1.281 (32.54)	.120 (3.05)
16S	1-20 UNEF	.156 (3.96)	.062 (1.57)	1.219 (30.96)	.562 (14.27)	.969 (24.61)	1.281 (32.54)	.120 (3.05)
18	1 1/8-18 UNEF	.203 (5.16)	.094 (2.39)	1.938 (49.23)	.750 (19.05)	1.062 (26.97)	1.375 (34.92)	.120 (3.05)
20	1 1/4-18 UNEF	.203 (5.16)	.094 (2.39)	1.938 (49.23)	.750 (19.05)	1.156 (29.36)	1.500 (38.10)	.120 (3.05)
22	1 3/8-18 UNEF	.203 (5.16)	.094 (2.39)	1.938 (49.23)	.750 (19.05)	1.250 (31.75)	1.625 (41.27)	.120 (3.05)
24	1 1/2-18 UNEF	.203 (5.16)	.094 (2.39)	1.938 (49.23)	.812 (20.62)	1.375 (34.92)	1.750 (44.45)	.147 (3.73)
28	1 3/4-18 UNS	.203 (5.16)	.094 (2.39)	1.938 (49.23)	.812 (20.62)	1.562 (39.67)	2.000 (50.80)	.147 (3.73)
32	2-18 UNS	.359 (9.12)	.125 (3.17)	1.938 (49.23)	.875 (22.22)	1.750 (44.45)	2.250 (57.15)	.173 (4.39)

Dimensions are shown in Inches (mm).

JAM NUT RECEPTACLE

CR3104A, E



CR3104A Non-environmental
CR3104E Environmental

Shell Size	A Coupling Thread Class 2A	F ±.016 (±0.41)	H Panel Thickness		K ±.005 (±0.13)	M ±.010 (±0.25)	P ±.010 (±0.25)	S ±.010 (±0.25)	Z ±.045 (±1.14)
			Min.	Max.					
10SL	5/8-24 UNEF	.812 (20.62)	0.00 (0.00)	.204 (5.18)	.156 (3.96)	.812 (20.62)	.354 (8.99)	1.000 (25.40)	.281 (7.14)
12S	3/4-20 UNEF	.938 (23.83)	0.00 (0.00)	.204 (5.18)	.156 (3.96)	.812 (20.62)	.397 (10.08)	1.125 (28.58)	.281 (7.14)
12	3/4-20 UNEF	.938 (23.83)	0.00 (0.00)	.329 (8.36)	.156 (3.96)	1.188 (30.18)	.397 (10.08)	1.125 (28.58)	.344 (8.74)
14S	7/8-20 UNEF	1.062 (26.97)	0.00 (0.00)	.142 (3.61)	.156 (3.96)	.812 (20.62)	.442 (11.23)	1.250 (31.75)	.281 (7.14)
14	7/8-20 UNEF	1.062 (26.97)	0.00 (0.00)	.267 (6.78)	.156 (3.96)	1.188 (30.18)	.442 (11.23)	1.250 (31.75)	.344 (8.74)
16S	1-20 UNEF	1.250 (31.75)	0.00 (0.00)	.142 (3.61)	.156 (3.96)	.812 (20.62)	.486 (12.34)	1.375 (34.93)	.281 (7.14)
16	1-20 UNEF	1.250 (31.75)	0.00 (0.00)	.267 (6.78)	.156 (3.96)	1.188 (30.18)	.486 (12.34)	1.375 (34.93)	.344 (8.74)
18	1 1/8-18 UNEF	1.312 (33.32)	0.00 (0.00)	.235 (5.97)	.188 (4.78)	1.156 (29.36)	.575 (14.61)	1.625 (41.28)	.375 (9.52)
20	1 1/4-18 UNEF	1.500 (38.10)	0.00 (0.00)	.235 (5.97)	.188 (4.78)	1.156 (29.36)	.619 (15.72)	1.750 (44.45)	.375 (9.52)
22	1 3/8-18 UNEF	1.562 (39.67)	0.00 (0.00)	.235 (5.97)	.188 (4.78)	1.156 (29.36)	.663 (16.84)	1.875 (47.63)	.375 (9.52)
24	1 1/2-18 UNEF	1.750 (44.45)	0.00 (0.00)	.298 (7.57)	.188 (4.78)	1.219 (30.96)	.707 (17.96)	2.000 (50.80)	.312 (7.92)
28	1 3/4-18 UNS	2.000 (50.80)	0.00 (0.00)	.298 (7.57)	.188 (4.78)	1.219 (30.96)	.795 (20.19)	2.250 (57.15)	.312 (7.92)
32	2-18 UNS	2.188 (55.58)	0.00 (0.00)	.329 (8.36)	.219 (5.56)	1.250 (31.75)	.884 (22.45)	2.500 (63.50)	.281 (7.14)

Dimensions are shown in Inches (mm).

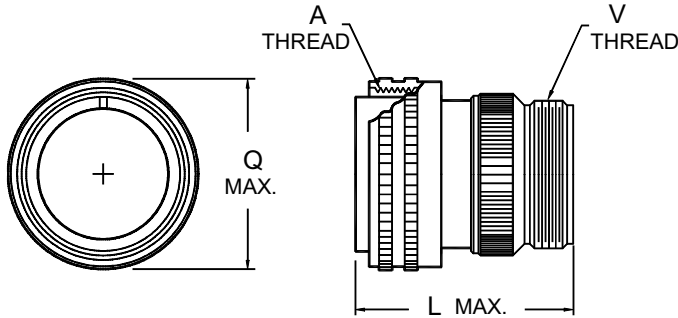
STRAIGHT PLUGS

CR3106A, B, D, E, F

CR3106A Threaded adapter, non-environmental, less grommet

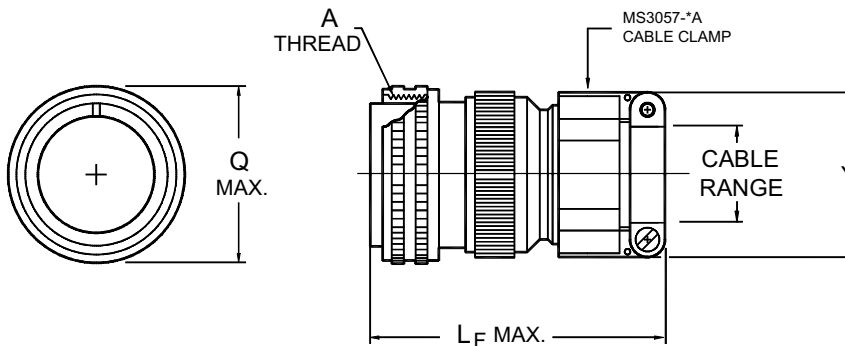
CR3106B Threaded adapter, environmental, with grommet

CR3106E Threaded adapter, environmental, less grommet



Shell Size	A Coupling Thread Class 2B	L Max.	Q Max.	V Accessory Thread Class 2A
10SL	5/8-24 UNEF	1.531 (38.89)	.969 (24.61)	5/8-24 UNEF
12	3/4-20 UNEF	2.062 (52.37)	1.062 (26.97)	5/8-24 UNEF
12S	3/4-20 UNEF	1.688 (42.88)	1.062 (26.97)	5/8-24 UNEF
14	7/8-20 UNEF	2.062 (52.37)	1.156 (29.36)	3/4-20 UNEF
14S	7/8-20 UNEF	1.688 (42.88)	1.156 (29.36)	3/4-20 UNEF
16	1-20 UNEF	2.062 (52.37)	1.250 (31.75)	7/8-20 UNEF
16S	1-20 UNEF	1.688 (42.88)	1.250 (31.75)	7/8-20 UNEF
18	1 1/8-18 UNEF	2.062 (52.37)	1.344 (34.14)	1-20 UNEF
20	1 1/4-18 UNEF	2.188 (55.58)	1.469 (37.31)	1 3/16-18 UNEF
22	1 3/8-18 UNEF	2.188 (55.58)	1.594 (40.49)	1 3/16-18 UNEF
24	1 1/2-18 UNEF	2.312 (58.72)	1.719 (43.66)	1 7/16-18 UNEF
28	1 3/4-18 UNS	2.312 (58.72)	1.969 (50.01)	1 7/16-18 UNEF
32	2-18 UNS	2.438 (61.93)	2.219 (56.36)	1 3/4-18 UNS

Dimensions are shown in Inches (mm).



CR3106D Two (2) piece backshell w/ MS3057 * A clamp, non-environmental, less grommet

CR3106F Two (2) piece backshell w/ MS3057 * A clamp, environmental, with grommet[®]

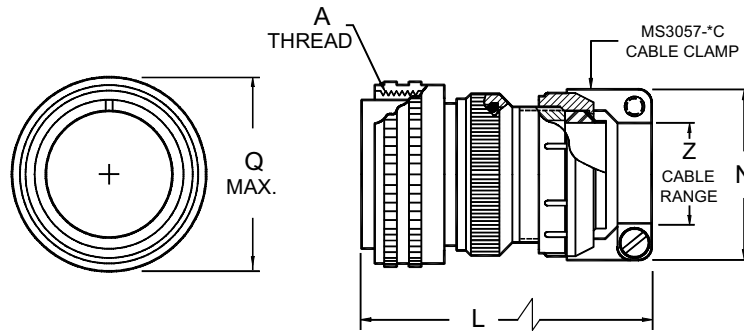
Shell Size	A Coupling Thread Class 2B	L _F Max.	Q Max.	Y ±.020 (±0.51)	Cable Range	
					Open	Closed
10SL	5/8-24 UNEF	2.300 (58.42)	.969 (24.61)	.938 (23.83)	.312 (7.92)	.125 (3.18)
12	3/4-20 UNEF	2.900 (73.66)	1.062 (26.97)	.938 (23.83)	.312 (7.92)	.125 (3.18)
12S	3/4-20 UNEF	2.500 (63.50)	1.062 (26.97)	.938 (23.83)	.312 (7.92)	.125 (3.18)
14	7/8-20 UNEF	2.900 (73.66)	1.156 (29.36)	1.125 (28.58)	.438 (11.13)	.250 (6.35)
14S	7/8-20 UNEF	2.500 (63.50)	1.156 (29.36)	1.125 (28.58)	.438 (11.13)	.250 (6.35)
16	1-20 UNEF	2.900 (73.66)	1.250 (31.75)	1.312 (33.32)	.562 (14.27)	.312 (7.92)
16S	1-20 UNEF	2.500 (63.50)	1.250 (31.75)	1.312 (33.32)	.562 (14.27)	.312 (7.92)
18	1 1/8-18 UNEF	2.900 (73.66)	1.344 (34.14)	1.312 (33.32)	.625 (15.88)	.350 (8.89)
20	1 1/4-18 UNEF	3.000 (76.20)	1.469 (37.31)	1.531 (38.89)	.750 (19.05)	.500 (12.70)
22	1 3/8-18 UNEF	3.000 (76.20)	1.594 (40.49)	1.531 (38.89)	.750 (19.05)	.500 (12.70)
24	1 1/2-18 UNEF	3.250 (82.55)	1.719 (43.66)	1.750 (44.45)	.938 (23.83)	.625 (15.88)
28	1 3/4-18 UNS	3.250 (82.55)	1.969 (50.01)	1.750 (44.45)	.938 (23.83)	.625 (15.88)
32	2-18 UNS	3.600 (91.44)	2.219 (56.36)	2.093 (53.16)	1.250 (31.75)	.875 (22.23)

Dimensions are shown in Inches (mm).

⊙ Plug has "O" ring under coupling nut.

STRAIGHT PLUGS

CR3106K, P



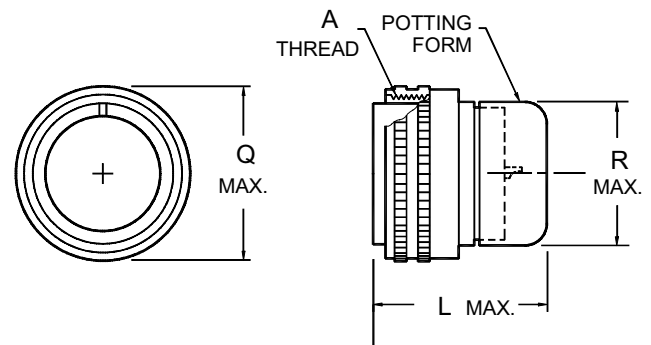
CR3106K Two (2) piece backshell w/ MS3057 *C clamp, environmental, less grommet

Shell Size	A Coupling Thread Class 2B	L Max.		N Max.	Q Max.	Cable Clamp	Z Cable Range	
		K Series	LCF Series				Free	Closed
10SL	5/8-24 UNEF	2.300 (58.42)	4.00 (101.6)	.937 (23.80)	.969 (24.61)	MS3057-4C	.312 (7.92)	.094 (2.39)
12	3/4-20 UNEF	2.900 (73.66)	4.50 (114.0)	.937 (23.80)	1.062 (26.97)	MS3057-4C	.312 (7.92)	.094 (2.39)
12S	3/4-20 UNEF	2.500 (63.50)	4.00 (101.6)	.937 (23.80)	1.062 (26.97)	MS3057-4C	.312 (7.92)	.094 (2.39)
14	7/8-20 UNEF	2.900 (73.66)	4.50 (114.0)	1.062 (26.97)	1.156 (29.36)	MS3057-6C	.438 (11.13)	.250 (6.35)
14S	7/8-20 UNEF	2.500 (63.50)	4.00 (101.6)	1.062 (26.97)	1.156 (29.36)	MS3057-6C	.438 (11.13)	.250 (6.35)
16	1-20 UNEF	2.900 (73.66)	4.50 (114.0)	1.188 (30.18)	1.250 (31.75)	MS3057-8C	.531 (13.49)	.312 (7.92)
16S	1-20 UNEF	2.500 (63.50)	4.00 (101.6)	1.188 (30.18)	1.250 (31.75)	MS3057-8C	.531 (13.49)	.312 (7.92)
18	1 1/8-18 UNEF	2.900 (73.66)	4.69 (119.0)	1.312 (33.32)	1.344 (34.14)	MS3057-10C	.625 (15.88)	.375 (9.52)
20	1 1/4-18 UNEF	3.000 (76.20)	4.69 (119.0)	1.562 (39.67)	1.469 (37.31)	MS3057-12C	.750 (19.05)	.500 (12.70)
22	1 3/8-18 UNEF	3.000 (76.20)	4.69 (119.0)	1.562 (39.67)	1.594 (40.49)	MS3057-12C	.750 (19.05)	.500 (12.70)
24	1 1/2-18 UNEF	3.250 (82.55)	4.90 (124.2)	1.750 (44.45)	1.719 (43.66)	MS3057-16C	.938 (23.83)	.594 (15.09)
28	1 3/4-18 UNS	3.250 (82.55)	5.13 (130.0)	1.750 (44.45)	1.969 (50.01)	MS3057-16C	.938 (23.83)	.594 (15.09)
32	2-18 UNS	3.600 (91.44)	5.39 (137.0)	2.250 (57.15)	2.219 (56.36)	MS3057-20C	1.250 (31.75)	.938 (23.83)

Dimensions are shown in Inches (mm).

CR3106P Potting boot, environmental, less grommet

Shell Size	A Coupling Thread Class 2B	L Max. ②	Q Max.	R Max.
10SL	5/8-24 UNEF	1.500 (38.10)	.969 (24.61)	.863 (21.92)
12S	3/4-20 UNEF	1.500 (38.10)	1.062 (26.97)	.863 (21.92)
12	3/4-20 UNEF	1.906 (48.41)	1.062 (26.97)	.863 (21.92)
14S	7/8-20 UNEF	1.500 (38.10)	1.156 (29.36)	.941 (23.90)
14	7/8-20 UNEF	1.906 (48.41)	1.156 (29.36)	.941 (23.90)
16S	1-20 UNEF	1.500 (38.10)	1.250 (31.75)	1.066 (27.08)
16	1-20 UNEF	1.906 (48.41)	1.250 (31.75)	1.066 (27.08)
18	1 1/8-18 UNEF	1.906 (48.41)	1.344 (34.14)	1.207 (30.66)
20	1 1/4-18 UNEF	2.188 (55.58)	1.469 (37.31)	1.332 (33.83)
22	1 3/8-18 UNEF	2.188 (55.58)	1.594 (40.49)	1.457 (37.01)
24	1 1/2-18 UNEF	2.188 (55.58)	1.719 (43.66)	1.582 (40.18)
28	1 3/4-18 UNS	2.188 (55.58)	1.969 (50.01)	1.832 (46.53)
32	2-18 UNS	2.188 (55.58)	2.219 (56.36)	2.082 (52.88)



1. Dimensions are shown in Inches (mm).

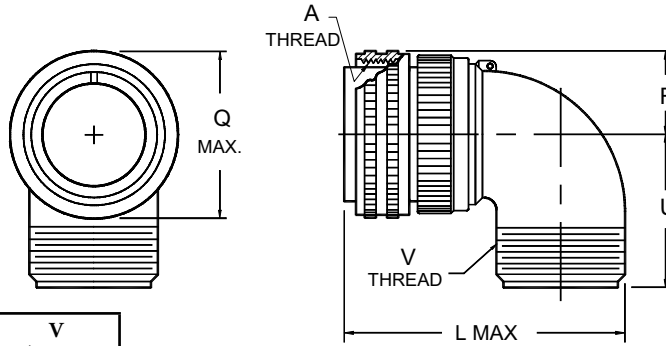
② Add .375 for size "0" contacts.

90° PLUGS

CR3108A, D, E, F

CR3108A Threaded adapter, non-environmental, less grommet

CR3108E Threaded adapter, environmental, less grommet

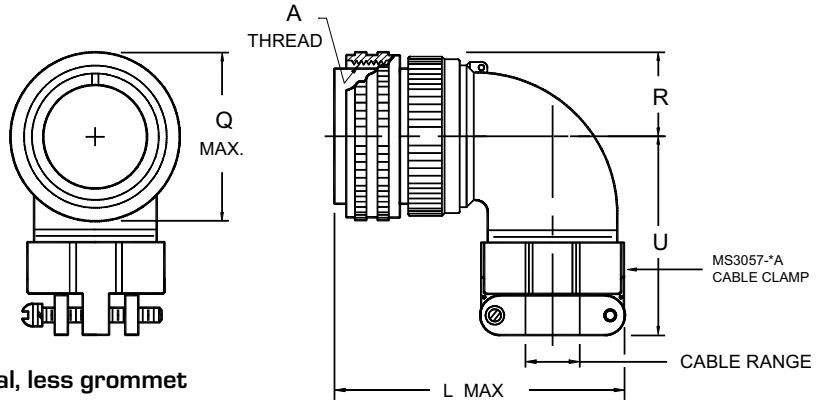


Shell Size	A Coupling Thread Class 2B	L Max.	Q Max.	R Max.	U Max.	V Accessory Thread Class 2A
10SL	5/8-24 UNEF	1.812 (46.02)	.969 (24.61)	.531 (13.49)	1.000 (25.40)	5/8-24 UNEF
12	3/4-20 UNEF	2.250 (57.15)	1.062 (26.97)	.531 (13.49)	1.062 (26.97)	5/8-24 UNEF
12S	3/4-20 UNEF	2.000 (50.80)	1.062 (26.97)	.531 (13.49)	1.062 (26.97)	5/8-24 UNEF
14	7/8-20 UNEF	2.312 (58.72)	1.156 (29.36)	.656 (16.66)	1.125 (28.57)	3/4-20 UNEF
14S	7/8-20 UNEF	2.125 (53.97)	1.156 (29.36)	.656 (16.66)	1.125 (28.57)	3/4-20 UNEF
16	1-20 UNEF	2.562 (65.07)	1.250 (31.75)	.750 (19.05)	1.188 (30.18)	7/8-20 UNEF
16S	1-20 UNEF	2.375 (60.32)	1.250 (31.75)	.750 (19.05)	1.188 (30.18)	7/8-20 UNEF
18	1 1/8-18 UNEF	2.688 (68.28)	1.344 (34.14)	.828 (21.03)	1.312 (33.32)	1-20 UNEF
20	1 1/4-18 UNEF	3.031 (76.99)	1.469 (37.31)	.906 (23.01)	1.375 (34.92)	1 3/16-18 UNEF
22	1 3/8-18 UNEF	3.031 (76.99)	1.594 (40.49)	.969 (24.61)	1.375 (34.92)	1 3/16-18 UNEF
24	1 1/2-18 UNEF	3.406 (86.51)	1.719 (43.66)	1.031 (26.19)	1.562 (39.67)	1 7/16-18 UNEF
28	1 3/4-18 UNS	3.406 (86.51)	1.969 (50.01)	1.156 (29.36)	1.562 (39.67)	1 7/16-18 UNEF
32	2-18 UNS	3.750 (95.25)	2.219 (56.36)	1.312 (33.32)	1.875 (47.62)	1 3/4-18 UNS

Dimensions are shown in Inches (mm).

CR3108D Two (2) piece backshell w/ MS3057 * A clamp, environmental, less grommet

CR3108F Two (2) piece backshell w/ MS3057 * A clamp, environmental, with grommet[®]

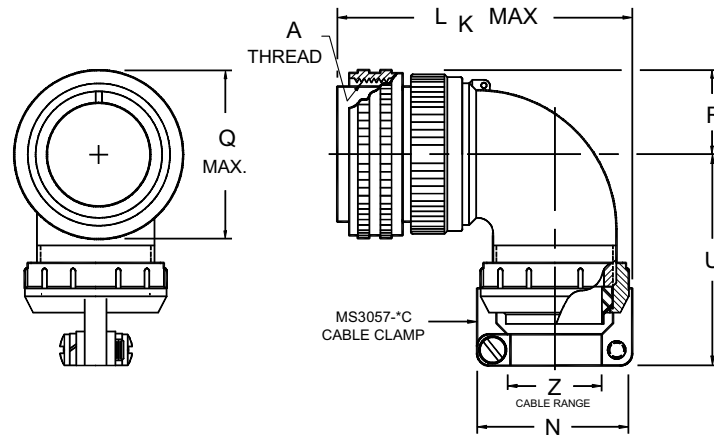


Shell Size	A Coupling Thread Class 2B	L Max.	Q Max.	R Max.	U Max.	Cable Range	
						Open	Closed
10SL	5/8-24 UNEF	2.188 (55.58)	.969 (24.61)	.516 (13.11)	1.500 (38.10)	.312 (7.92)	.125 (3.18)
12	3/4-20 UNEF	2.531 (64.29)	1.062 (26.97)	.562 (14.27)	1.500 (38.10)	.312 (7.92)	.125 (3.18)
12S	3/4-20 UNEF	2.188 (55.58)	1.062 (26.97)	.562 (14.27)	1.500 (38.10)	.312 (7.92)	.125 (3.18)
14	7/8-20 UNEF	2.688 (68.28)	1.156 (29.36)	.625 (15.87)	1.594 (40.49)	.438 (11.13)	.250 (6.35)
14S	7/8-20 UNEF	2.312 (58.72)	1.156 (29.36)	.625 (15.87)	1.594 (40.49)	.438 (11.13)	.250 (6.35)
16	1-20 UNEF	2.781 (70.64)	1.250 (31.75)	.688 (17.48)	1.688 (42.88)	.562 (14.27)	.312 (7.92)
16S	1-20 UNEF	2.406 (61.11)	1.250 (31.75)	.688 (17.48)	1.688 (42.88)	.562 (14.27)	.312 (7.92)
18	1 1/8-18 UNEF	2.844 (72.24)	1.344 (34.14)	.750 (19.05)	1.781 (45.24)	.625 (15.88)	.350 (8.89)
20	1 1/4-18 UNEF	3.250 (82.55)	1.469 (37.31)	.844 (21.44)	1.969 (50.01)	.750 (19.05)	.500 (12.70)
22	1 3/8-18 UNEF	3.250 (82.55)	1.594 (40.49)	.906 (23.01)	2.000 (50.80)	.750 (19.05)	.500 (12.70)
24	1 1/2-18 UNEF	3.719 (94.46)	1.719 (43.66)	.953 (24.21)	2.125 (53.97)	.938 (23.83)	.625 (15.88)
28	1 3/4-18 UNS	3.719 (94.46)	1.969 (50.01)	1.094 (27.79)	2.188 (55.58)	.938 (23.83)	.625 (15.88)
32	2-18 UNS	4.188 (106.38)	2.219 (56.36)	1.234 (31.34)	2.594 (65.89)	1.250 (31.75)	.875 (22.23)

Dimensions are shown in Inches (mm).

© Plug has "O" ring under coupling nut.

90° PLUG CR3108K



CR3108K Two (2) piece backshell w/ MS3057 *C clamp, environmental, less grommet

Shell Size	A Coupling Thread Class 2B	L _K Max.	N Max.	Q Max.	R Max.	U Max.	Cable Clamp	Z Cable Range	
								Free	Closed
10SL	5/8-24 UNEF	2.188 (55.58)	.937 (23.80)	.969 (24.61)	.516 (13.11)	1.500 (38.10)	MS3057-4C	.312 (7.92)	.094 (2.39)
12	3/4-20 UNEF	2.531 (64.29)	.937 (23.80)	1.062 (26.97)	.562 (14.27)	1.500 (38.10)	MS3057-4C	.312 (7.92)	.094 (2.39)
12S	3/4-20 UNEF	2.188 (55.58)	.937 (23.80)	1.062 (26.97)	.562 (14.27)	1.500 (38.10)	MS3057-4C	.312 (7.92)	.094 (2.39)
14	7/8-20 UNEF	2.688 (68.28)	1.062 (26.97)	1.156 (29.36)	.625 (15.87)	1.594 (40.49)	MS3057-6C	.438 (11.13)	.250 (6.35)
14S	7/8-20 UNEF	2.312 (58.72)	1.062 (26.97)	1.156 (29.36)	.625 (15.87)	1.594 (40.49)	MS3057-6C	.438 (11.13)	.250 (6.35)
16	1-20 UNEF	2.781 (70.64)	1.188 (30.18)	1.250 (31.75)	.688 (17.48)	1.688 (42.88)	MS3057-8C	.531 (13.49)	.312 (7.92)
16S	1-20 UNEF	2.406 (61.11)	1.188 (30.18)	1.250 (31.75)	.688 (17.48)	1.688 (42.88)	MS3057-8C	.531 (13.49)	.312 (7.92)
18	1 1/8-18 UNEF	2.844 (72.24)	1.312 (33.32)	1.344 (34.14)	.750 (19.05)	1.781 (45.24)	MS3057-10C	.625 (15.88)	.375 (9.52)
20	1 1/4-18 UNEF	3.250 (82.55)	1.562 (39.67)	1.469 (37.31)	.844 (21.44)	1.969 (50.01)	MS3057-12C	.750 (19.05)	.500 (12.70)
22	1 3/8-18 UNEF	3.250 (82.55)	1.562 (39.67)	1.594 (40.49)	.906 (23.01)	2.000 (50.80)	MS3057-12C	.750 (19.05)	.500 (12.70)
24	1 1/2-18 UNEF	3.719 (94.46)	1.750 (44.45)	1.719 (43.66)	.953 (24.21)	2.125 (53.97)	MS3057-16C	.938 (23.83)	.594 (15.09)
28	1 3/4-18 UNS	3.719 (94.46)	1.750 (44.45)	1.969 (50.01)	1.094 (27.79)	2.188 (55.58)	MS3057-16C	.938 (23.83)	.594 (15.09)
32	2-18 UNS	4.188 (106.38)	2.250 (57.15)	2.219 (56.36)	1.234 (31.34)	2.594 (65.89)	MS3057-20C	1.250 (31.75)	.938 (23.83)

Dimensions are shown in Inches (mm).

REVERSE BAYONET ORDERING INFORMATION

CRBS 00 A 22 - 2 S W F80 Z9

SERIES PREFIX

CRBS Receptacles without wear pins.

SHELL STYLE

See Table I below.

CLASS

See Table II below.

SHELL SIZE

**10SL, 12, 12S, 14, 14S, 16S, 16,
18, 20, 22, 24, 28, 32.**

INSERT CONFIGURATION

See pages 27 thru 32 for codes and illustrations.

CONTACT STYLE

P Pin contacts.
S Socket contacts.

ALTERNATE POSITION (POLARIZATION)

BLANK (normal), W, X, Y, Z.
See pages 27 thru 32.

MODIFICATION

- Blank** Contacts: Solder Type Supplied.
 - A95** Contacts: Gold Plated per MIL-G-45204 Type II, Class 2 Over Nickel.
 - A134** Contacts: Gold Plated per MIL-G-45204 Type II, Class 2 Over Gold Flash per MIL-G-45204 Type I Over Copper Plate per MIL-C-14550, Class 4.
 - C2** Chemical Film, per MIL-C-5541.
 - F0** Connector Less Contacts.
 - F28** Cinch Nut Mounting.
 - F80** AWG Crimp Contacts Supplied with, but Not Installed in Connector.
 - H** Hex Coupling Nut.
 - SS** Passivated Stainless Steel.
 - Z3** Zinc Nickel Colbalt, Olive Drab.
 - Z9** Zinc Nickel Colbalt, Black.
 - 1** Electroless Nickel.
 - 11** Supplied Unmarked.
 - 12** MS3057-*A Less Bushing.
 - 14** Supplied Less End Bell.
 - 17** Supplied with Gasket for Plug or Receptacle.
 - 18** MS3057-*A with Bushing.
 - 142** Contacts: .000030 Gold Over .000050 Nickel.
- For other codes, contact Sales Dept.

TABLE I. SHELL STYLE

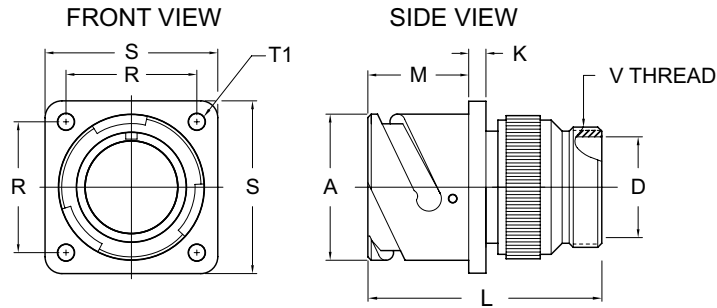
Shell Style	Description
00	Wall mount receptacle, front panel mount
030	Wall mount receptacle, rear panel mount
01	In-line receptacle
02R	Box mount receptacle, front panel mount
03R	Box mount receptacle, rear panel mount
06	Straight plug
07R	Jam nut receptacle
08	90° plug

TABLE II. CLASS

Code	Class
A	Non-environmental with backshell, less grommet
A	Non-environmental (Shell 02 and 03)
B	Environmental with backshell and grommet
B	Environmental (Shell 02, 03 and 07)
D	Non-environmental with cable clamp, less grommet
F	Environmental with cable clamp and grommet
K	Environmental with cable clamp less grommet
R	Environmental (Shell 02, 03 and 07)

WALL MOUNT RECEPTACLES

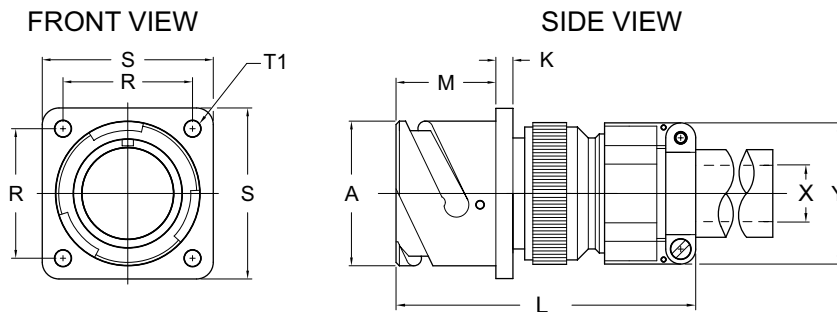
FRONT PANEL MOUNT: CRBS00A*, B*, D*, F*



CRBS00A* Non-environmental, less grommet
CRBS00B* Environmental with grommet

Shell Size	Front View			Side View						
	R ±.004 [±0.1]	S ±.012 [±0.3]	T1 +.004 [+0.1] -.000 [-0.0]	A +.000 [+0.00] -.006 [-0.15]	D Min.	K ±.008 [±0.2]	L Max.	M +.016 [+0.4] -.000 [-0.0]	V Thread Class 2A	
10SL	.717 [18.20]	1.000 [25.40]	.126 [3.20]	.717 [18.20]	.323 [8.20]	.110 [2.80]	1.693 [43.00]	.559 [14.20]	5/8-24 UNEF	
14S	.906 [23.00]	1.181 [30.00]	.126 [3.20]	.969 [24.60]	.437 [11.10]	.126 [3.20]	1.850 [47.00]	.563 [14.30]	3/4-20 UNEF	
16S	.969 [24.60]	1.280 [32.50]	.126 [3.20]	1.079 [27.40]	.563 [14.30]	.126 [3.20]	1.850 [47.00]	.551 [14.00]	7/8-20 UNEF	
16	.969 [24.60]	1.280 [32.50]	.126 [3.20]	1.079 [27.40]	.563 [14.30]	.126 [3.20]	2.283 [58.00]	.748 [19.00]	7/8-20 UNEF	
18	1.063 [27.00]	1.378 [35.00]	.126 [3.20]	1.213 [30.80]	.657 [16.70]	.157 [4.00]	2.283 [58.00]	.752 [19.10]	1-20 UNEF	
20	1.157 [29.40]	1.496 [38.00]	.126 [3.20]	1.346 [34.20]	.780 [19.80]	.157 [4.00]	2.283 [58.00]	.752 [19.10]	1 3/16-18 UNEF	
22	1.252 [31.80]	1.614 [41.00]	.126 [3.20]	1.472 [37.40]	.780 [19.80]	.157 [4.00]	2.323 [59.00]	.748 [19.00]	1 3/16-18 UNEF	
24	1.374 [34.90]	1.752 [44.50]	.146 [3.70]	1.610 [40.90]	1.000 [25.40]	.157 [4.00]	2.402 [61.00]	.811 [20.60]	1 7/16-18 UNEF	
28	1.563 [39.70]	2.000 [50.80]	.146 [3.70]	1.839 [46.70]	1.063 [27.00]	.157 [4.00]	2.638 [67.00]	.811 [20.60]	1 7/16-18 UNEF	
32	1.752 [44.50]	2.244 [57.00]	.169 [4.30]	2.102 [53.40]	1.280 [32.50]	.157 [4.00]	2.795 [71.00]	.874 [22.20]	1 3/4-18 UNS	

Dimensions are shown in Inches (mm).



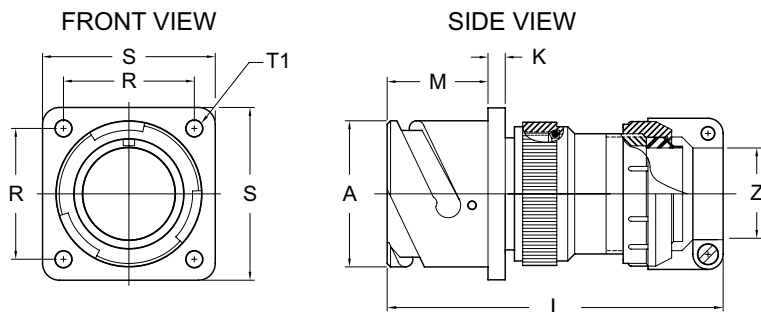
CRBS00D* Non-environmental, less grommet
CRBS00F* Environmental with grommet

Shell Size	Front View					Side View					
	R ±.004 [±0.1]	S ±.012 [±0.3]	T1 +.004 [+0.1] -.000 [-0.0]	T2 Thread		A +.000 [+0.00] -.006 [-0.15]	K ±.008 [±0.2]	L Max.	M +.016 [+0.4] -.000 [-0.0]	X Min	Y Max
				Metric	UNC						
10SL	.717 [18.20]	1.000 [25.40]	.126 [3.20]	M4	8-32UNC	.717 [18.20]	.110 [2.80]	2.520 [64.00]	.559 [14.20]	.256 [6.50]	.894 [22.70]
14S	.906 [23.00]	1.181 [30.00]	.126 [3.20]	M4	8-32UNC	.969 [24.60]	.126 [3.20]	2.717 [69.00]	.563 [14.30]	.354 [9.00]	1.083 [27.50]
16S	.969 [24.60]	1.280 [32.50]	.126 [3.20]	M4	8-32UNC	1.079 [27.40]	.126 [3.20]	2.795 [71.00]	.551 [14.00]	.433 [11.00]	1.181 [30.00]
16	.969 [24.60]	1.280 [32.50]	.126 [3.20]	M4	8-32UNC	1.079 [27.40]	.126 [3.20]	3.228 [82.00]	.748 [19.00]	.433 [11.00]	1.181 [30.00]
18	1.063 [27.00]	1.378 [35.00]	.126 [3.20]	M4	8-32UNC	1.213 [30.80]	.157 [4.00]	3.228 [82.00]	.752 [19.10]	.559 [14.20]	1.268 [32.20]
20	1.157 [29.40]	1.496 [38.00]	.126 [3.20]	M4	8-32UNC	1.346 [34.20]	.157 [4.00]	3.228 [82.00]	.752 [19.10]	.622 [15.80]	1.476 [37.50]
22	1.252 [31.80]	1.614 [41.00]	.126 [3.20]	M4	8-32UNC	1.472 [37.40]	.157 [4.00]	3.268 [83.00]	.748 [19.00]	.622 [15.80]	1.476 [37.50]
24	1.374 [34.90]	1.752 [44.50]	.146 [3.70]	M4	10-24UNC	1.610 [40.90]	.157 [4.00]	3.425 [87.00]	.811 [20.60]	.843 [21.40]	1.705 [43.30]
28	1.563 [39.70]	2.000 [50.80]	.146 [3.70]	M5	10-24UNC	1.839 [46.70]	.157 [4.00]	3.661 [93.00]	.811 [20.60]	.843 [21.40]	1.705 [43.30]
32	1.752 [44.50]	2.244 [57.00]	.169 [4.30]	M5	1/4-20UNC	2.102 [53.40]	.157 [4.00]	3.898 [99.00]	.874 [22.20]	1.051 [26.70]	2.035 [51.70]

Dimensions are shown in Inches (mm).

WALL MOUNT RECEPTACLE

FRONT PANEL MOUNT: CRBSOOK *



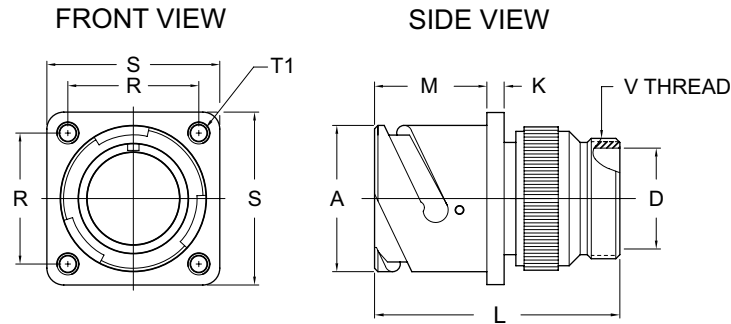
CRBSOOK* Environmental, less grommet

Shell Size	Front View			Side View					
	R ±.004 [±0.1]	S ±.012 [±0.3]	T1 +.004 [+0.1] -.000 [-0.0]	A +.000 [+0.00] -.006 [-0.15]	K ±.008 [±0.2]	L Max	M +.016 [+0.4] -.000 [-0.0]	Z	
								Open	Closed
10SL	.717 [18.20]	1.000 [25.40]	.126 [3.20]	.717 [18.20]	.110 [2.80]	2.874 [73.00]	.559 [14.20]	.312 [7.93]	.094 [2.38]
14S	.906 [23.00]	1.181 [30.00]	.126 [3.20]	.969 [24.60]	.126 [3.20]	3.031 [77.00]	.563 [14.30]	.438 [11.12]	.230 [5.84]
16S	.969 [24.60]	1.280 [32.50]	.126 [3.20]	1.079 [27.40]	.126 [3.20]	3.031 [77.00]	.551 [14.00]	.531 [13.48]	.315 [8.00]
16	.969 [24.60]	1.280 [32.50]	.126 [3.20]	1.079 [27.40]	.126 [3.20]	3.465 [88.00]	.748 [19.00]	.531 [13.48]	.315 [8.00]
18	1.063 [27.00]	1.378 [35.00]	.126 [3.20]	1.213 [30.80]	.157 [4.00]	3.583 [91.00]	.752 [19.10]	.625 [15.87]	.378 [9.60]
20	1.157 [29.40]	1.496 [38.00]	.126 [3.20]	1.346 [34.20]	.157 [4.00]	3.583 [91.00]	.752 [19.10]	.748 [19.00]	.445 [11.30]
22	1.252 [31.80]	1.614 [41.00]	.126 [3.20]	1.472 [37.40]	.157 [4.00]	3.622 [92.00]	.748 [19.00]	.748 [19.00]	.445 [11.30]
24	1.374 [34.90]	1.752 [44.50]	.146 [3.70]	1.610 [40.90]	.157 [4.00]	3.819 [97.00]	.811 [20.60]	.937 [23.80]	.610 [15.50]
28	1.563 [39.70]	2.000 [50.80]	.146 [3.70]	1.839 [46.70]	.157 [4.00]	4.055 [103.00]	.811 [20.60]	.937 [23.80]	.610 [15.50]
32	1.752 [44.50]	2.244 [57.00]	.169 [4.30]	2.102 [53.40]	.157 [4.00]	4.449 [113.00]	.874 [22.20]	1.250 [31.75]	.921 [23.40]

Dimensions are shown in Inches (mm).

WALL MOUNT RECEPTACLES

REAR PANEL MOUNT: CRBSO30A*, B*, D*, F*

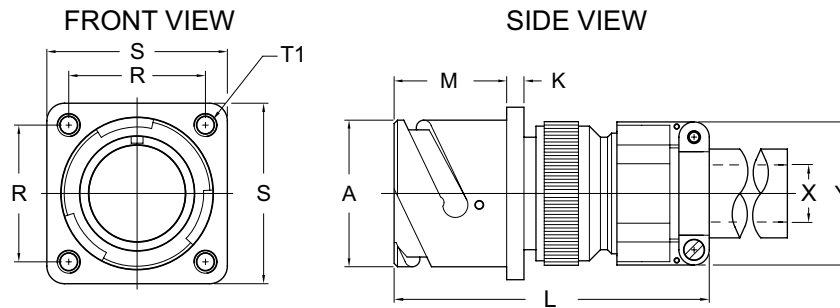


CRBSO30A* Non-Environmental, less grommet

CRBSO30B* Environmental with grommet

Shell Size	Front View			Side View					
	R ±.004 [±0.1]	S ±.012 [±0.3]	T1 +.004 [+0.1] -.000 [-0.0] Style FP	A +.000 [+0.00] -.006 [-0.15]	D Min.	K ±.008 [±0.2]	L Max	M +.016 [+0.4] -.000 [-0.0]	V Thread Class 2A
10SL	.717 [18.20]	1.000 [25.40]	.126 [3.20]	.717 [18.20]	.323 [8.20]	.110 [2.80]	1.811 [46.00]	.717 [18.20]	5/8-24 UNEF
14S	.906 [23.00]	1.181 [30.00]	.126 [3.20]	.969 [24.60]	.437 [11.10]	.126 [3.20]	1.969 [50.00]	.717 [18.20]	3/4-20 UNEF
16S	.969 [24.60]	1.280 [32.50]	.126 [3.20]	1.079 [27.40]	.563 [14.30]	.126 [3.20]	1.969 [50.00]	.717 [18.20]	7/8-20 UNEF
16	.969 [24.60]	1.280 [32.50]	.126 [3.20]	1.079 [27.40]	.563 [14.30]	.126 [3.20]	2.283 [58.00]	.907 [23.05]	7/8-20 UNEF
18	1.063 [27.00]	1.378 [35.00]	.126 [3.20]	1.213 [30.80]	.657 [16.70]	.157 [4.00]	2.283 [58.00]	.907 [23.05]	1-20 UNEF
20	1.157 [29.40]	1.496 [38.00]	.126 [3.20]	1.346 [34.20]	.780 [19.80]	.157 [4.00]	2.283 [58.00]	.907 [23.05]	1 3/16-18 UNEF
22	1.252 [31.80]	1.614 [41.00]	.126 [3.20]	1.472 [37.40]	.780 [19.80]	.157 [4.00]	2.323 [59.00]	.907 [23.05]	1 3/16-18 UNEF
24	1.374 [34.90]	1.752 [44.50]	.146 [3.70]	1.610 [40.90]	1.000 [25.40]	.157 [4.00]	2.323 [59.00]	.907 [23.05]	1 7/16-18 UNEF
28	1.563 [39.70]	2.000 [50.80]	.146 [3.70]	1.839 [46.70]	1.063 [27.00]	.157 [4.00]	2.638 [67.00]	.947 [24.05]	1 7/16-18 UNEF
32	1.752 [44.50]	2.244 [57.00]	.169 [4.30]	2.102 [53.40]	1.280 [32.50]	.157 [4.00]	2.795 [71.00]	.947 [24.05]	1 3/4-18 UNS

Dimensions are shown in Inches (mm).



CRBSO30D* Non-Environmental, no grommet

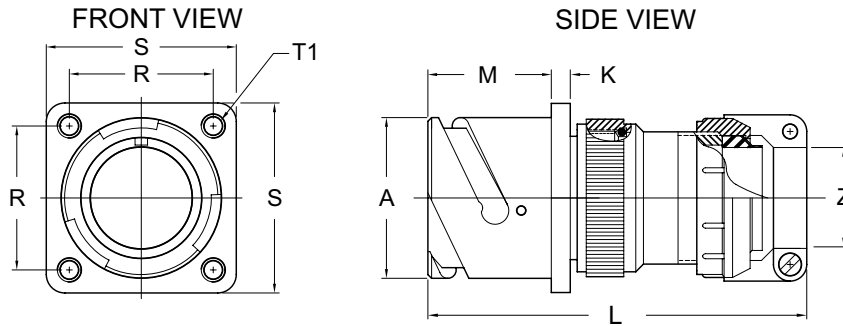
CRBSO30F* Environmental with grommet

Shell Size	Front View					Side View					
	R ±.004 [±0.1]	S ±.012 [±0.3]	T1 +.004 [+0.1] -.000 [-0.0] Style FP	T2 Thread		A +.000 [+0.00] -.006 [-0.15]	K ±.008 [±0.2]	L Max	M +.016 [+0.4] -.000 [-0.0]	X Min	Y Max
				Metric	UNC						
10SL	.717 [18.20]	1.000 [25.40]	.126 [3.20]	M4	8-32UNC	.717 [18.20]	.110 [2.80]	2.638 [67.0]	.717 [18.20]	.256 [6.50]	.894 [22.70]
14S	.906 [23.00]	1.181 [30.00]	.126 [3.20]	M4	8-32UNC	.969 [24.60]	.126 [3.20]	2.835 [72.0]	.717 [18.20]	.354 [9.00]	1.083 [27.50]
16S	.969 [24.60]	1.280 [32.50]	.126 [3.20]	M4	8-32UNC	1.079 [27.40]	.126 [3.20]	2.953 [75.0]	.717 [18.20]	.433 [11.00]	1.181 [30.00]
16	.969 [24.60]	1.280 [32.50]	.126 [3.20]	M4	8-32UNC	1.079 [27.40]	.126 [3.20]	3.228 [82.0]	.907 [23.05]	.433 [11.00]	1.181 [30.00]
18	1.063 [27.00]	1.378 [35.00]	.126 [3.20]	M4	8-32UNC	1.213 [30.80]	.157 [4.00]	3.228 [82.0]	.907 [23.05]	.559 [14.20]	1.268 [32.20]
20	1.157 [29.40]	1.496 [38.00]	.126 [3.20]	M4	8-32UNC	1.346 [34.20]	.157 [4.00]	3.228 [82.0]	.907 [23.05]	.622 [15.80]	1.476 [37.50]
22	1.252 [31.80]	1.614 [41.00]	.126 [3.20]	M4	8-32UNC	1.472 [37.40]	.157 [4.00]	3.268 [83.0]	.907 [23.05]	.622 [15.80]	1.476 [37.50]
24	1.374 [34.90]	1.752 [44.50]	.146 [3.70]	M4	10-24UNC	1.610 [40.90]	.157 [4.00]	3.346 [85.0]	.907 [23.05]	.843 [21.40]	1.705 [43.30]
28	1.563 [39.70]	2.000 [50.80]	.146 [3.70]	M5	10-24UNC	1.839 [46.70]	.157 [4.00]	3.661 [93.0]	.947 [24.05]	.843 [21.40]	1.705 [43.30]
32	1.752 [44.50]	2.244 [57.00]	.169 [4.30]	M5	1/4-20UNC	2.102 [53.40]	.157 [4.00]	3.898 [99.0]	.947 [24.05]	1.051 [26.70]	2.035 [51.70]

Dimensions are shown in Inches (mm).

WALL MOUNT RECEPTACLE

REAR PANEL MOUNT: CRBS030K *



CRBS030K* Environmental, less grommet

Shell Size	Front View			Side View						
	R ±.004 [±0.1]	S ±.012 [±0.3]	T1 +.004 [+0.1] -.000 [-0.0] Style FP	A +.000 [+0.00] -.006 [-0.15]	K ±.008 [±0.2]	L Max	M +.016 [+0.4] -.000 [-0.0]	Z		
								Open	Closed	
10SL	.717 [18.20]	1.000 [25.40]	.126 [3.20]	.717 [18.20]	.110 [2.80]	2.874 [73.0]	.717 [18.20]	.312 [7.93]	.094 [2.38]	
14S	.906 [23.00]	1.181 [30.00]	.126 [3.20]	.969 [24.60]	.126 [3.20]	3.031 [77.0]	.717 [18.20]	.438 [11.12]	.230 [5.84]	
16S	.969 [24.60]	1.280 [32.50]	.126 [3.20]	1.079 [27.40]	.126 [3.20]	3.031 [77.0]	.717 [18.20]	.531 [13.48]	.315 [8.00]	
16	.969 [24.60]	1.280 [32.50]	.126 [3.20]	1.079 [27.40]	.126 [3.20]	3.465 [88.0]	.907 [23.05]	.531 [13.48]	.315 [8.00]	
18	1.063 [27.00]	1.378 [35.00]	.126 [3.20]	1.213 [30.80]	.157 [4.00]	3.583 [91.0]	.907 [23.05]	.625 [15.87]	.378 [9.60]	
20	1.157 [29.40]	1.496 [38.00]	.126 [3.20]	1.346 [34.20]	.157 [4.00]	3.583 [91.0]	.907 [23.05]	.748 [19.00]	.445 [11.30]	
22	1.252 [31.80]	1.614 [41.00]	.126 [3.20]	1.472 [37.40]	.157 [4.00]	3.622 [92.0]	.907 [23.05]	.748 [19.00]	.445 [11.30]	
24	1.374 [34.90]	1.752 [44.50]	.146 [3.70]	1.610 [40.90]	.157 [4.00]	3.819 [97.0]	.907 [23.05]	.937 [23.80]	.610 [15.50]	
28	1.563 [39.70]	2.000 [50.80]	.146 [3.70]	1.839 [46.70]	.157 [4.00]	4.055 [103.0]	.947 [24.05]	.937 [23.80]	.610 [15.50]	
32	1.752 [44.50]	2.244 [57.00]	.169 [4.30]	2.102 [53.40]	.157 [4.00]	4.449 [113.0]	.947 [24.05]	1.250 [31.75]	.921 [23.40]	

Dimensions are shown in Inches (mm).

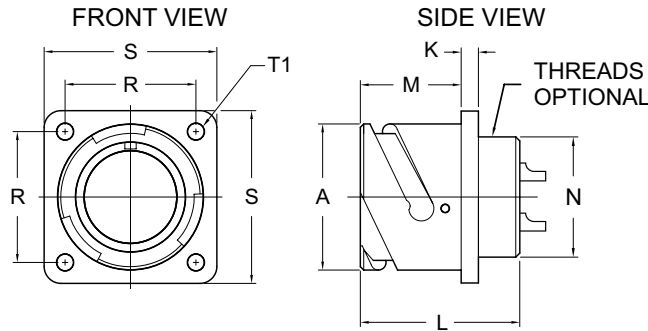
BOX MOUNT RECEPTACLES

FRONT PANEL MOUNT: CRBS02A*, B*

REAR PANEL MOUNT: CRBS03A*, B*



REVERSE
BAYONET

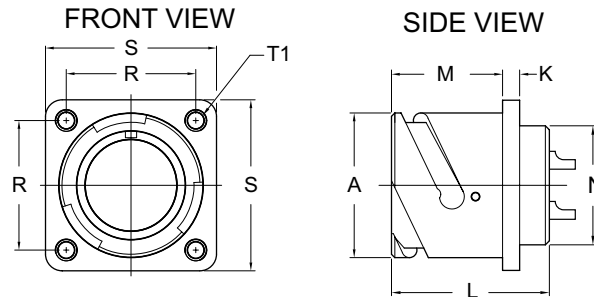


CRBS02A* Non-environmental

CRBS02B* Environmental when used with sealing gasket

Shell Size	Front View					Side View				
	R ±.004 [±0.1]	S ±.012 [±0.3]	T1 +.004 [+0.1] -.000 [-0.0]	T2		A +.000 [+0.00] -.006 [-0.15]	K ±.008 [±0.2]	L ±.012 [±0.3]	M +.016 [+0.4] -.000 [-0.0]	N Max
				Metric	UNC					
10SL	.717 [18.20]	1.000 [25.40]	.126 [3.20]	M4	8-32UNC	.717 [18.20]	.110 [2.80]	1.087 [27.60]	.559 [14.20]	.638 [16.20]
14S	.906 [23.00]	1.181 [30.00]	.126 [3.20]	M4	8-32UNC	.969 [24.60]	.126 [3.20]	1.087 [27.60]	.559 [14.20]	.756 [19.20]
16S	.969 [24.60]	1.280 [32.50]	.126 [3.20]	M4	8-32UNC	1.079 [27.40]	.126 [3.20]	1.087 [27.60]	.559 [14.20]	.882 [22.40]
16	.969 [24.60]	1.280 [32.50]	.126 [3.20]	M4	8-32UNC	1.079 [27.40]	.126 [3.20]	1.331 [33.80]	.748 [19.00]	.882 [22.40]
18	1.063 [27.00]	1.378 [35.00]	.126 [3.20]	M4	8-32UNC	1.213 [30.80]	.157 [4.00]	1.331 [33.80]	.748 [19.00]	1.008 [25.60]
20	1.157 [29.40]	1.496 [38.00]	.126 [3.20]	M4	8-32UNC	1.346 [34.20]	.157 [4.00]	1.331 [33.80]	.748 [19.00]	1.142 [29.00]
22	1.252 [31.80]	1.614 [41.00]	.126 [3.20]	M4	8-32UNC	1.472 [37.40]	.157 [4.00]	1.331 [33.80]	.748 [19.00]	1.268 [32.20]
24	1.374 [34.90]	1.752 [44.50]	.146 [3.70]	M4	10-24UNC	1.610 [40.90]	.157 [4.00]	1.409 [35.80]	.811 [20.60]	1.390 [35.30]
28	1.563 [39.70]	2.000 [50.80]	.146 [3.70]	M5	10-24UNC	1.839 [46.70]	.157 [4.00]	1.409 [35.80]	.811 [20.60]	1.630 [41.40]
32	1.752 [44.50]	2.244 [57.00]	.169 [4.30]	M5	1/4-20UNC	2.102 [53.40]	.157 [4.00]	1.469 [37.30]	.874 [22.20]	1.882 [47.80]

Dimensions are shown in Inches (mm).



CRBS03A* Non-environmental

CRBS03B* Environmental when used with sealing gasket

Shell Size	Front View			Side View					
	R ±.004 [±0.1]	S ±.012 [±0.3]	T1 +.004 [+0.1] -.000 [-0.0] Style 03RFP	A +.000 [+0.00] -.006 [-0.15]	K ±.008 [±0.2]	L ±.012 [±0.3]	M +.016 [+0.4] -.000 [-0.0]	N Max	
10SL	.717 [18.20]	1.000 [25.40]	.126 [3.20]	.717 [18.20]	.110 [2.80]	1.087 [27.60]	.717 [18.20]	.638 [16.20]	
14S	.906 [23.00]	1.181 [30.00]	.126 [3.20]	.969 [24.60]	.126 [3.20]	1.087 [27.60]	.717 [18.20]	.756 [19.20]	
16S	.969 [24.60]	1.280 [32.50]	.126 [3.20]	1.079 [27.40]	.126 [3.20]	1.087 [27.60]	.717 [18.20]	.882 [22.40]	
16	.969 [24.60]	1.280 [32.50]	.126 [3.20]	1.079 [27.40]	.126 [3.20]	1.331 [33.80]	.907 [23.05]	.882 [22.40]	
18	1.063 [27.00]	1.378 [35.00]	.126 [3.20]	1.213 [30.80]	.157 [4.00]	1.358 [34.50]	.907 [23.05]	1.008 [25.60]	
20	1.157 [29.40]	1.496 [38.00]	.126 [3.20]	1.346 [34.20]	.157 [4.00]	1.358 [34.50]	.907 [23.05]	1.142 [29.00]	
22	1.252 [31.80]	1.614 [41.00]	.126 [3.20]	1.472 [37.40]	.157 [4.00]	1.358 [34.50]	.907 [23.05]	1.268 [32.20]	
24	1.374 [34.90]	1.752 [44.50]	.146 [3.70]	1.610 [40.90]	.157 [4.00]	1.409 [35.80]	.907 [23.05]	1.390 [35.30]	
28	1.563 [39.70]	2.000 [50.80]	.146 [3.70]	1.839 [46.70]	.157 [4.00]	1.409 [35.80]	.947 [24.05]	1.630 [41.40]	
32	1.752 [44.50]	2.244 [57.00]	.169 [4.30]	2.102 [53.40]	.157 [4.00]	1.469 [37.30]	.947 [24.05]	1.882 [47.80]	

Dimensions are shown in Inches (mm).



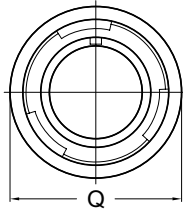
PHONE: 702-802-2555
FAX: 702-802-2556

WEB: www.crownconnector.com
E-MAIL: sales@crownconnector.com

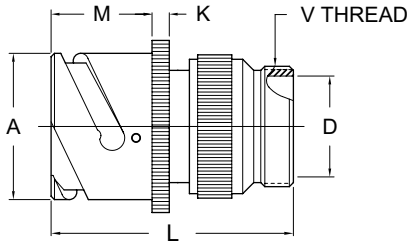
IN-LINE RECEPTACLES

CRBS01A*, B*, D*, F*, K*

FRONT VIEW



SIDE VIEW



CRBS01A* Non-environmental, less grommet
CRBS01B* Environmental with grommet

Shell Size	Front View	Side View					
	Q Max	A +.000 [+0.00] -.006 [-0.15]	D Min.	K ±.008 [±0.2]	L Max.	M +.016 [+0.4] -.000 [-0.0]	V Thread Class 2A
10SL	.886 [22.50]	.717 [18.20]	.323 [8.20]	.110 [2.80]	1.693 [43.00]	.559 [14.20]	5/8-24 UNEF
14S	1.161 [29.50]	.969 [24.60]	.437 [11.10]	.126 [3.20]	1.850 [47.00]	.559 [14.20]	3/4-20 UNEF
16S	1.240 [31.50]	1.079 [27.40]	.563 [14.30]	.126 [3.20]	1.850 [47.00]	.559 [14.20]	7/8-20 UNEF
16	1.240 [31.50]	1.079 [27.40]	.563 [14.30]	.126 [3.20]	2.283 [58.00]	.748 [19.00]	7/8-20 UNEF
18	1.358 [34.50]	1.213 [30.80]	.657 [16.70]	.157 [4.00]	2.283 [58.00]	.748 [19.00]	1-20 UNEF
20	1.476 [37.50]	1.346 [34.20]	.780 [19.80]	.157 [4.00]	2.283 [58.00]	.748 [19.00]	1 3/16-18 UNEF
22	1.594 [40.50]	1.472 [37.40]	.780 [19.80]	.157 [4.00]	2.323 [59.00]	.748 [19.00]	1 3/16-18 UNEF
24	1.752 [44.50]	1.610 [40.90]	1.000 [25.40]	.157 [4.00]	2.402 [61.00]	.811 [20.60]	1 7/16-18 UNEF
28	1.969 [50.00]	1.839 [46.70]	1.063 [27.00]	.157 [4.00]	2.638 [67.00]	.811 [20.60]	1 7/16-18 UNEF
32	2.224 [56.50]	2.102 [53.40]	1.280 [32.50]	.157 [4.00]	2.795 [71.00]	.874 [22.20]	1 3/4-18 UNS

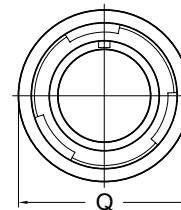
Dimensions are shown in Inches (mm).

SCP01D* Non-environmental, less grommet
SCP01F* Environmental with grommet

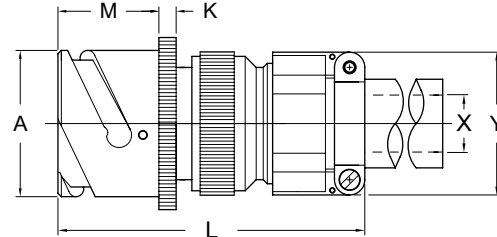
Shell Size	Front View	Side View					
	Q Max	A +.000 [+0.00] -.006 [-0.15]	K ±.008 [±0.2]	L Max	M +.016 [+0.4] -.000 [-0.0]	X Min	Y Max
10SL	.886 [22.50]	.717 [18.20]	.110 [2.80]	2.520 [64.0]	.559 [14.20]	.256 [6.50]	.894 [22.70]
14S	1.161 [29.50]	.969 [24.60]	.126 [3.20]	2.717 [69.0]	.559 [14.20]	.354 [9.00]	1.083 [27.50]
16S	1.240 [31.50]	1.079 [27.40]	.126 [3.20]	2.795 [71.0]	.559 [14.20]	.433 [11.00]	1.181 [30.00]
16	1.240 [31.50]	1.079 [27.40]	.126 [3.20]	3.228 [82.0]	.748 [19.00]	.433 [11.00]	1.181 [30.00]
18	1.358 [34.50]	1.213 [30.80]	.157 [4.00]	3.228 [82.0]	.748 [19.00]	.559 [14.20]	1.268 [32.20]
20	1.476 [37.50]	1.346 [34.20]	.157 [4.00]	3.228 [82.0]	.748 [19.00]	.622 [15.80]	1.476 [37.50]
22	1.594 [40.50]	1.472 [37.40]	.157 [4.00]	3.268 [83.0]	.748 [19.00]	.622 [15.80]	1.476 [37.50]
24	1.752 [44.50]	1.610 [40.90]	.157 [4.00]	3.425 [87.0]	.811 [20.60]	.843 [21.40]	1.705 [43.30]
28	1.969 [50.00]	1.839 [46.70]	.157 [4.00]	3.661 [93.0]	.811 [20.60]	.843 [21.40]	1.705 [43.30]
32	2.224 [56.50]	2.102 [53.40]	.157 [4.00]	3.898 [99.0]	.874 [22.20]	1.051 [26.70]	2.035 [51.70]

Dimensions are shown in Inches (mm).

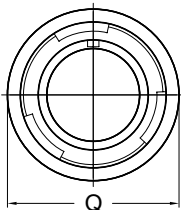
FRONT VIEW



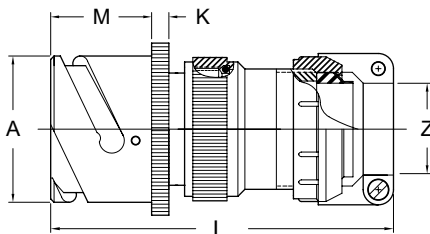
SIDE VIEW



FRONT VIEW



SIDE VIEW



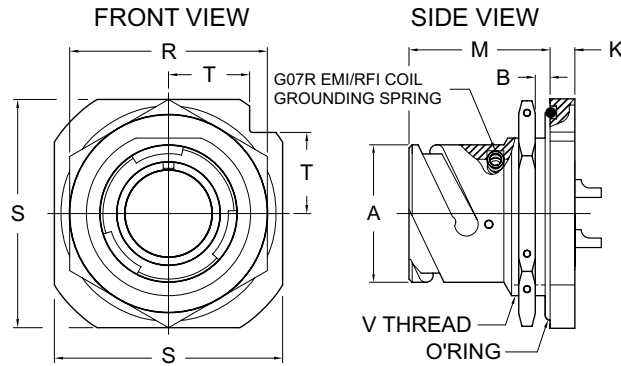
CRBS01K* Environmental, less grommet

Shell Size	Front View	Side View					
	Q Max	A +.000 [+0.00] -.006 [-0.15]	K ±.008 [±0.2]	L Max	M +.016 [+0.4] -.000 [-0.0]	Z	
						Open	Closed
10SL	.886 [22.50]	.717 [18.20]	.110 [2.80]	2.874 [73.0]	.559 [14.20]	.312 [7.93]	.094 [2.38]
14S	1.161 [29.50]	.969 [24.60]	.126 [3.20]	3.031 [77.0]	.559 [14.20]	.438 [11.12]	.230 [5.84]
16S	1.240 [31.50]	1.079 [27.40]	.126 [3.20]	3.031 [77.0]	.559 [14.20]	.531 [13.48]	.315 [8.00]
16	1.240 [31.50]	1.079 [27.40]	.126 [3.20]	3.465 [88.0]	.748 [19.00]	.531 [13.48]	.315 [8.00]
18	1.358 [34.50]	1.213 [30.80]	.157 [4.00]	3.583 [91.0]	.748 [19.00]	.625 [15.87]	.378 [9.60]
20	1.476 [37.50]	1.346 [34.20]	.157 [4.00]	3.583 [91.0]	.748 [19.00]	.748 [19.00]	.445 [11.30]
22	1.594 [40.50]	1.472 [37.40]	.157 [4.00]	3.622 [92.0]	.748 [19.00]	.748 [19.00]	.445 [11.30]
24	1.752 [44.50]	1.610 [40.90]	.157 [4.00]	3.819 [97.0]	.811 [20.60]	.937 [23.80]	.610 [15.50]
28	1.969 [50.00]	1.839 [46.70]	.157 [4.00]	4.055 [103.0]	.811 [20.60]	.937 [23.80]	.610 [15.50]
32	2.224 [56.50]	2.102 [53.40]	.157 [4.00]	4.449 [113.0]	.874 [22.20]	1.250 [31.75]	.921 [23.40]

Dimensions are shown in Inches (mm).

JAM NUT RECEPTACLE

CRBS07B*



CRBS07B* Environmental

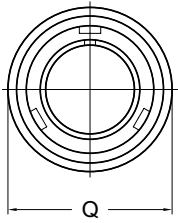
Shell Size	Front View			Side View					
	R ±.004 [±0.1]	S ±.012 [±0.3]	T Max.	A +.000 [+0.00] -.006 [-0.15]	B Panel Thickness		K ±.008 [±0.2]	M +.016 [+0.4] -.000 [-0.0]	V Thread Class 2A
					Min.	Max.			
10SL	1.063 [27.00]	1.252 [31.80]	.441 [11.20]	.717 [18.20]	.094 [2.40]	.205 [5.20]	.157 [4.00]	.965 [24.50]	7/8-20 UNEF
14S	1.299 [33.00]	1.626 [41.30]	.575 [14.60]	.969 [24.60]	.094 [2.40]	.295 [7.50]	.189 [4.80]	1.055 [26.80]	1 1/8-18 UNEF
16S	1.500 [38.10]	1.748 [44.40]	.618 [15.70]	1.079 [27.40]	.094 [2.40]	.295 [7.50]	.189 [4.80]	1.055 [26.80]	1 1/4-18 UNEF
16	1.500 [38.10]	1.748 [44.40]	.618 [15.70]	1.079 [27.40]	.094 [2.40]	.295 [7.50]	.189 [4.80]	1.264 [32.10]	1 1/4-18 UNEF
18	1.563 [39.70]	1.874 [47.60]	.661 [16.80]	1.213 [30.80]	.094 [2.40]	.354 [9.00]	.189 [4.80]	1.327 [33.70]	1 3/8-18 UNEF
20	1.732 [44.00]	2.000 [50.80]	.709 [18.00]	1.346 [34.20]	.094 [2.40]	.354 [9.00]	.189 [4.80]	1.327 [33.70]	1 1/2-18 UNEF
22	1.811 [46.00]	2.134 [54.20]	.795 [20.20]	1.472 [37.40]	.094 [2.40]	.358 [9.10]	.189 [4.80]	1.327 [33.70]	1 5/8-18 UNEF
24	2.000 [50.80]	2.252 [57.20]	.795 [20.20]	1.610 [40.90]	.094 [2.40]	.358 [9.10]	.189 [4.80]	1.386 [35.20]	1 3/4-18 UNEF
28	2.165 [55.00]	2.500 [63.50]	.886 [22.50]	1.839 [46.70]	.094 [2.40]	.335 [8.50]	.220 [5.60]	1.386 [35.20]	2-18 UNS
32	2.441 [62.00]	2.748 [69.80]	.972 [24.70]	2.102 [53.40]	.094 [2.40]	.256 [6.50]	.220 [5.60]	1.386 [35.20]	2 1/4-16 UN

Dimensions are shown in Inches (mm).

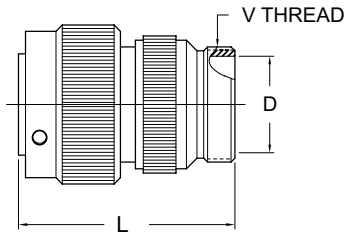
STRAIGHT PLUGS

CRBS06A*, B*, D*, F*, K*

FRONT VIEW



SIDE VIEW

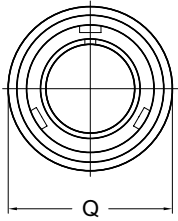


CRBS06A* Non-environmental, less grommet
CRBS06B* Environmental with grommet

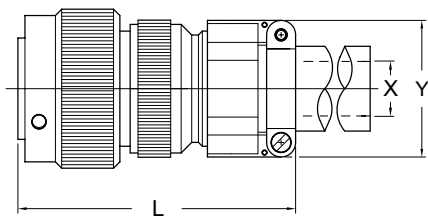
Shell Size	Front View	Side View		
	Q Max	D Min.	L Max.	V Thread Class 2A
10SL	.898 [22.80]	.323 [8.20]	1.850 [47.00]	5/8-24 UNEF
14S	1.150 [29.20]	.437 [11.10]	1.850 [47.00]	3/4-20 UNEF
16S	1.299 [33.00]	.563 [14.30]	1.850 [47.00]	7/8-20 UNEF
16	1.299 [33.00]	.563 [14.30]	2.283 [58.00]	7/8-20 UNEF
18	1.437 [36.50]	.657 [16.70]	2.283 [58.00]	1-20 UNEF
20	1.571 [39.90]	.780 [19.80]	2.283 [58.00]	1 3/16-18 UNEF
22	1.697 [43.10]	.780 [19.80]	2.323 [59.00]	1 3/16-18 UNEF
24	1.835 [46.60]	1.000 [25.40]	2.402 [61.00]	1 7/16-18 UNEF
28	2.102 [53.40]	1.063 [27.00]	2.638 [67.00]	1 7/16-18 UNEF
32	2.366 [60.10]	1.280 [32.50]	2.795 [71.00]	1 3/4-18 UNS

Dimensions are shown in Inches (mm).

FRONT VIEW



SIDE VIEW

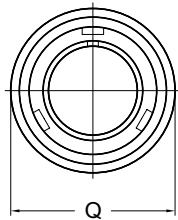


CRBS06D* Non-environmental, less grommet
CRBS06F* Environmental with grommet

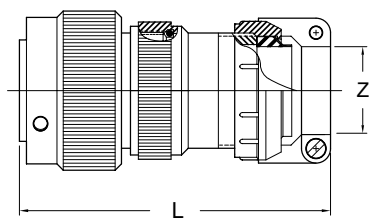
Shell Size	Front View	Side View		
	Q Max	L Max	X Min	Y Max
10SL	.898 [22.80]	2.520 [64.00]	.256 [6.50]	.894 [22.70]
14S	1.150 [29.20]	2.717 [69.00]	.354 [9.00]	1.083 [27.50]
16S	1.299 [33.00]	2.795 [71.00]	.433 [11.00]	1.181 [30.00]
16	1.299 [33.00]	3.228 [82.00]	.433 [11.00]	1.181 [30.00]
18	1.437 [36.50]	3.228 [82.00]	.559 [14.20]	1.268 [32.20]
20	1.571 [39.90]	3.228 [82.00]	.622 [15.80]	1.476 [37.50]
22	1.697 [43.10]	3.268 [83.00]	.622 [15.80]	1.476 [37.50]
24	1.835 [46.60]	3.425 [87.00]	.843 [21.40]	1.705 [43.30]
28	2.102 [53.40]	3.661 [93.00]	.843 [21.40]	1.705 [43.30]
32	2.366 [60.10]	3.898 [99.00]	1.051 [26.70]	2.035 [51.70]

Dimensions are shown in Inches (mm).

FRONT VIEW



SIDE VIEW



CRBS06K* Environmental, less grommet

Shell Size	Front View	L Max	Side View	
			Open	Closed
	Q Max			
10SL	.898 [22.80]	2.874 [73.00]	.312 [7.93]	.094 [2.38]
14S	1.150 [29.20]	3.031 [77.00]	.438 [11.12]	.230 [5.84]
16S	1.299 [33.00]	3.031 [77.00]	.531 [13.48]	.315 [8.00]
16	1.299 [33.00]	3.465 [88.00]	.531 [13.48]	.315 [8.00]
18	1.437 [36.50]	3.583 [91.00]	.625 [15.87]	.378 [9.60]
20	1.571 [39.90]	3.583 [91.00]	.748 [19.00]	.445 [11.30]
22	1.697 [43.10]	3.622 [92.00]	.748 [19.00]	.445 [11.30]
24	1.835 [46.60]	3.819 [97.00]	.937 [23.80]	.610 [15.50]
28	2.102 [53.40]	4.055 [103.00]	.937 [23.80]	.610 [15.50]
32	2.366 [60.10]	4.449 [113.00]	1.250 [31.75]	.921 [23.40]

Dimensions are shown in Inches (mm).

90° PLUGS

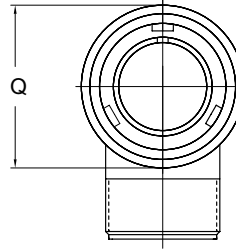
CRBS08A*, B*, D*, F*, K*

CRBS08A* Non-environmental, less grommet
CRBS08B* Environmental with grommet

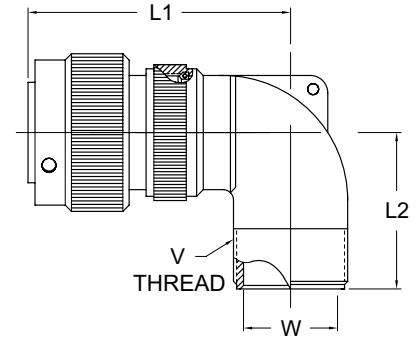
Shell Size	Front View	Side View			
	Q Max	L1 Max	L2 Max	V Thread Class 2A	W Min
10SL	.898 [22.80]	1.772 [45.00]	1.181 [30.00]	5/8-24 UNEF	.335 [8.50]
14S	1.150 [29.20]	1.850 [47.00]	1.181 [30.00]	3/4-20 UNEF	.472 [12.00]
16S	1.260 [32.00]	1.890 [48.00]	1.181 [30.00]	7/8-20 UNEF	.571 [14.50]
16	1.260 [32.00]	2.244 [57.00]	1.181 [30.00]	7/8-20 UNEF	.571 [14.50]
18	1.437 [36.50]	2.283 [58.00]	1.378 [35.00]	1-20 UNEF	.689 [17.50]
20	1.571 [39.90]	2.402 [61.00]	1.378 [35.00]	1 3/16-18 UNEF	.768 [19.50]
22	1.697 [43.10]	2.402 [61.00]	1.378 [35.00]	1 3/16-18 UNEF	.866 [22.00]
24	1.835 [46.60]	2.598 [66.00]	1.575 [40.00]	1 7/16-18 UNEF	.984 [25.00]
28	2.102 [53.40]	2.598 [66.00]	1.575 [40.00]	1 7/16-18 UNEF	1.142 [29.00]
32	2.366 [60.10]	2.835 [72.00]	1.772 [45.00]	1 3/4-18 UNS	1.339 [34.00]

Dimensions are shown in Inches (mm).

FRONT VIEW



SIDE VIEW

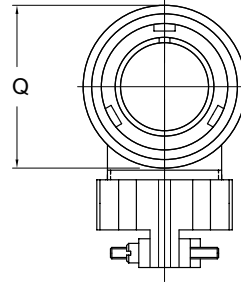


CRBS08D* Non-environmental, less grommet
CRBS08F* Environmental with grommet

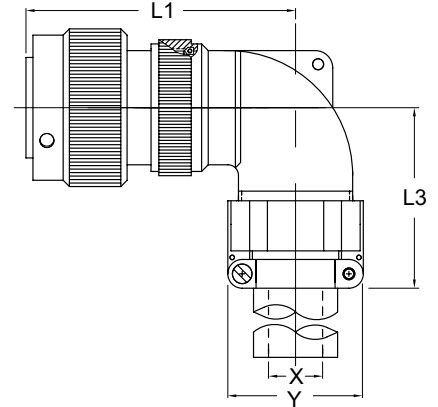
Shell Size	Front View	Side View			
	Q Max	L1 Max	L3 Max	X Min	Y Max
10SL	.898 [22.80]	1.772 [45.00]	1.654 [42.00]	.256 [6.50]	.894 [22.70]
14S	1.150 [29.20]	1.850 [47.00]	1.654 [42.00]	.354 [9.00]	1.083 [27.50]
16S	1.260 [32.00]	1.890 [48.00]	1.772 [45.00]	.433 [11.00]	1.181 [30.00]
16	1.260 [32.00]	2.244 [57.00]	1.772 [45.00]	.433 [11.00]	1.181 [30.00]
18	1.437 [36.50]	2.283 [58.00]	2.087 [53.00]	.559 [14.20]	1.268 [32.20]
20	1.571 [39.90]	2.402 [61.00]	2.087 [53.00]	.622 [15.80]	1.476 [37.50]
22	1.697 [43.10]	2.402 [61.00]	2.087 [53.00]	.622 [15.80]	1.476 [37.50]
24	1.835 [46.60]	2.598 [66.00]	2.283 [58.00]	.843 [21.40]	1.705 [43.30]
28	2.102 [53.40]	2.598 [66.00]	2.283 [58.00]	.843 [21.40]	1.705 [43.30]
32	2.366 [60.10]	2.835 [72.00]	2.598 [66.00]	1.051 [26.70]	2.035 [51.70]

Dimensions are shown in Inches (mm).

FRONT VIEW



SIDE VIEW

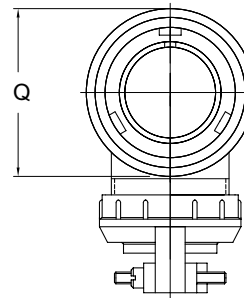


CRBS08K* Environmental, less grommet

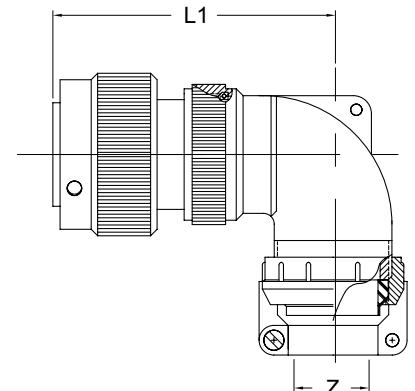
Shell Size	Front View	Side View		
	Q Max	L1 Max	Z	
			Open	Closed
10SL	.898 [22.80]	1.772 [45.00]	.312 [7.93]	.094 [2.38]
14S	1.150 [29.20]	1.850 [47.00]	.438 [11.12]	.230 [5.84]
16S	1.260 [32.00]	1.890 [48.00]	.531 [13.48]	.315 [8.00]
16	1.260 [32.00]	2.244 [57.00]	.531 [13.48]	.315 [8.00]
18	1.437 [36.50]	2.283 [58.00]	.625 [15.87]	.378 [9.60]
20	1.571 [39.90]	2.402 [61.00]	.748 [19.00]	.445 [11.30]
22	1.697 [43.10]	2.402 [61.00]	.748 [19.00]	.445 [11.30]
24	1.835 [46.60]	2.598 [66.00]	.937 [23.80]	.610 [15.50]
28	2.102 [53.40]	2.598 [66.00]	.937 [23.80]	.610 [15.50]
32	2.366 [60.10]	2.835 [72.00]	1.250 [31.75]	.921 [23.40]

Dimensions are shown in Inches (mm).

FRONT VIEW



SIDE VIEW



ORDNANCE ELECTRICAL CONNECTORS

GENERAL DESCRIPTION

For maximum standardization, both in procurement and field service, the Ordnance Department has limited the shell types, sizes and insert arrangements to those found on Ordnance Procurement Chart 7723494. This catalog section contains the electrical connectors and accessories available from Crown Connector and appear on the chart. Crown Ordnance Connectors include:

1. Resilient inserts per Ordnance Specifications provide high dielectric strength, high arc resistance and resistance to severe vibration.
2. Aluminum components are fabricated to withstand vibration and shock.
3. Shell Components come with a cadmium plate finish and a clear chromate after treatment. This finish is electrically conductive and is resistant to corrosion.
4. High quality copper alloy contacts are silver plated to assure good electrical continuity between pins and socket contacts.
5. Satisfactory performance through a temperature range of -65°F to +257°F.

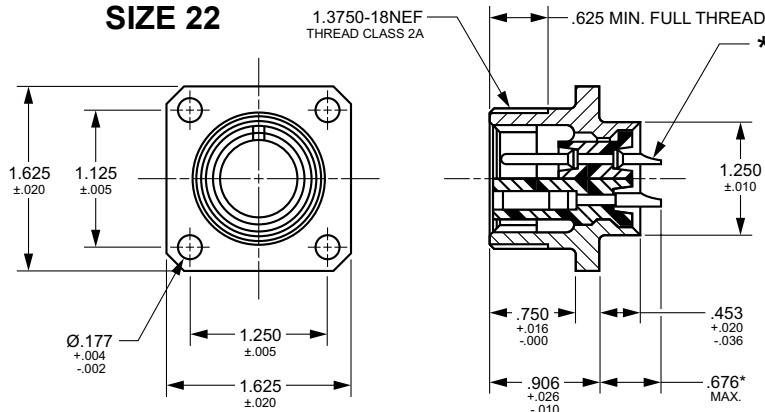
ORDNANCE INSERT ARRANGEMENTS

Shell Size & Insert	Total Contacts	Contact Size					Service Rating
		0	4	8	12	16	
12-5	1				1		D
14-2	4					4	Inst.
16-9	4				2	2	A
16-10	3				3		A
16-11	2				2		A
16-12	1		1				A
22-2	3			3			D
22-4	4			2	2		A
22-7	1	1					E
22-15	6				5	1	D = E Bal = A
22-19	14					14	A
22-22	4			4			A
22-23	8				8		H = D Bal = A
28-6	3		3				D
28-10	7		2	2	3		G = D Bal = A
28-16	20					20	A
28-20	14				10	4	A
28-22	6		3			3	D
28-51	12				12		A
32-1	5	2			3		A = E Bal = D
32-15	8	2			6		D

ORDNANCE CONNECTOR SOURCES

Ordnance	Description	Crown P/N	Amphenol
7261674	Cap	-	-
7358500	Grommet	22-2	-
7388318	Receptacle	CC42222-2P	60-42222-2P
7388319	Receptacle	CC42222-2S	60-42222-2S
7388320	Receptacle	CC42222-7P	60-42222-7P
7388321	Receptacle	CC42222-7S	60-42222-7S
7388322	Receptacle	CC42222-15P	60-42222-15P
7388323	Receptacle	CC42222-15S	60-42222-15S
7388324	Receptacle	CC42222-19P	60-42222-19P
7388325	Receptacle	CC42222-19S	60-42222-19S
7388326	Receptacle	CC42222-22P	60-42222-22P
7388327	Receptacle	CC42222-22S	60-42222-22S
7388328	Receptacle	CC42222-23P	60-42222-23P
7388329	Receptacle	CC42222-23S	60-42222-23S
7388345	Receptacle	-	-
7388349	Receptacle	CC42222-4S	60-42222-4S
7388352	Gaskets	-	-
7524564	Grommet	22-2	-
7527633	Grommet	22-2	-
7722325	Coupling Nut Type II	-	-
7971516	Receptacle	CC42222-4P	60-42222-4P
8701325	Coupling Nut	055-1002-202	60-361159-22
8724237	Plug	CC42722-2P	60-42722-2P
8724238	Plug	CC42722-2S	60-42722-2S
8724239	Plug	CC42722-4P	60-42722-4P
8724240	Plug	CC42722-4S	60-42722-4S
8724241	Plug	CC42722-7P	60-42722-7P
8724242	Plug	CC42722-7S	60-42722-7S
8724243	Plug	CC42722-23P	60-42722-23P
8724244	Plug	CC42722-23S	60-42722-23S
8724245	Plug	CC42722-15P	60-42722-15P
8724246	Plug	CC42722-15S	60-42722-15S
8724247	Plug	CC42722-19P	60-42722-19P
8724248	Plug	CC42722-19S	60-42722-19S
8724249	Plug	CC42722-22P	60-42722-22P
8724250	Plug	CC42722-22S	60-42722-22S
10105928-1	Cap	107-1000-128	10-242732-22
10105928-2	Cap	107-1000-228	10-242732-24
10105928-3	Cap	107-2000-328	10-242732-36
Signal Corp. No.			
SM-C-632665	Receptacle	CC101083-2S	10-101083-2S
SM-D-632655	Plug	CC229935-2P	10-229935-2P
SC-D-446146	Plug	CC229935-2S	10-229935-2S
SM-D-52125	Plug	CC229935-19P	10-229935-19P
SM-C-632656	Adapter	CC229936-225	10-229936-225

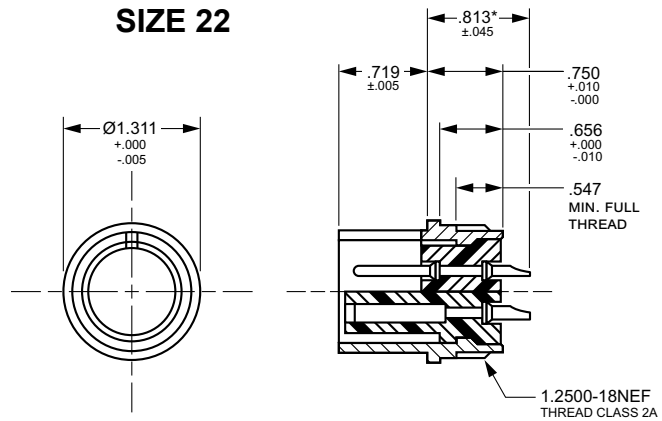
BOX MOUNTING RECEPTACLE



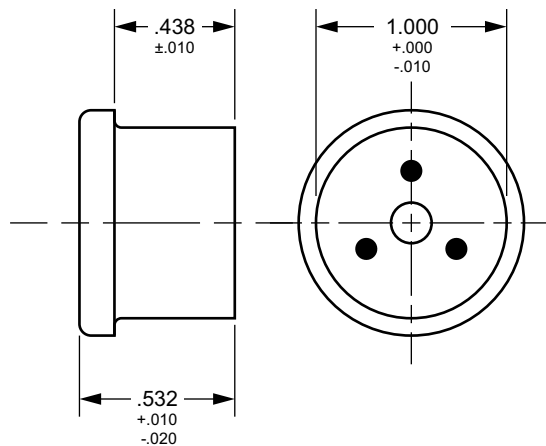
Insert Arrangement	Order Number
22-2P	7388318
22-2S	7388319
22-4P	7971516
22-4S	7388349
22-7P	7388320
22-7S	7388321
22-15P	7388322
22-15S	7388323
22-19P	7388324
22-19S	7388325
22-22P	7388326
22-22S	7388327
22-23P	7388328
22-23S	7388329

STRAIGHT PLUG BODY

Insert Arrangement	Order Number
22-2P	8724237
22-2S	8724238
22-4P	8724239
22-4S	8724240
22-7P	8724241
22-7S	8724242
22-15P	8724245
22-15S	8724246
22-19P	8724247
22-19S	8724248
22-22P	8724249
22-22S	8724250
22-23P	8724243
22-23S	8724244



ORDNANCE GROMMETS



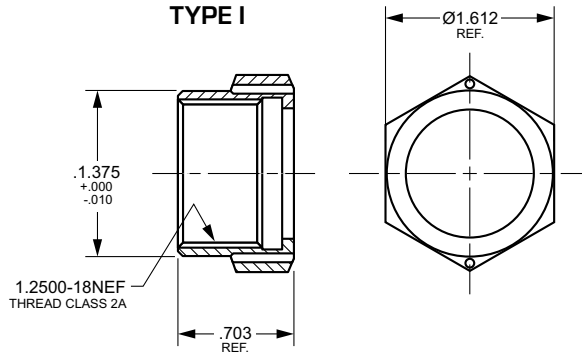
Order Number	Insert Arrangement	Contact	
		Qty.	Size
7358500	22-2	3	8
7524564	22-2	3	8
7527633	22-2	3	8

ORDNANCE COUPLING NUTS

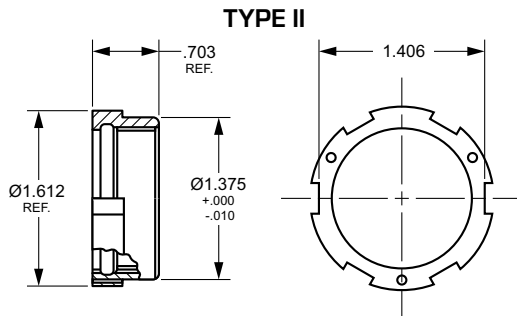
The three coupling nut styles illustrated represent one of the types used to complete an Ordnance Assembly. In all cases; they must be assembled to its respective assembly, prior to soldering operations.

SIZE 22

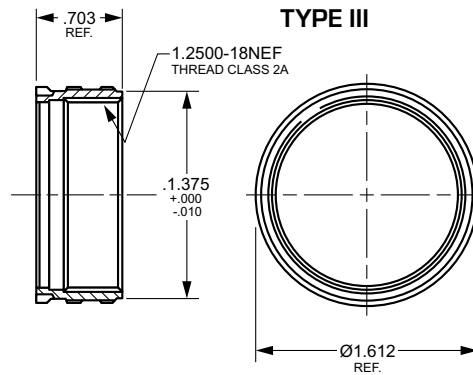
TYPE I



TYPE II



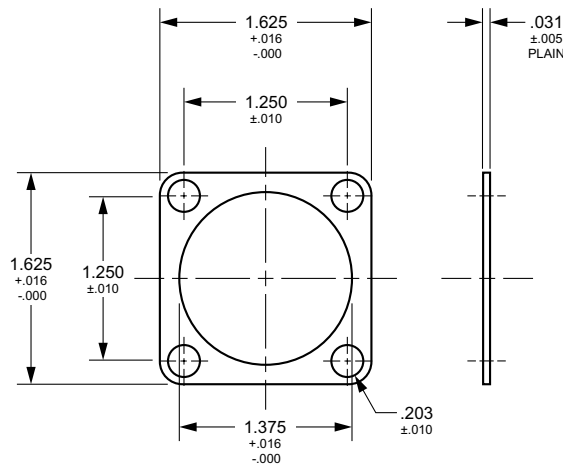
TYPE III



Order Number: 7722325

GASKETS

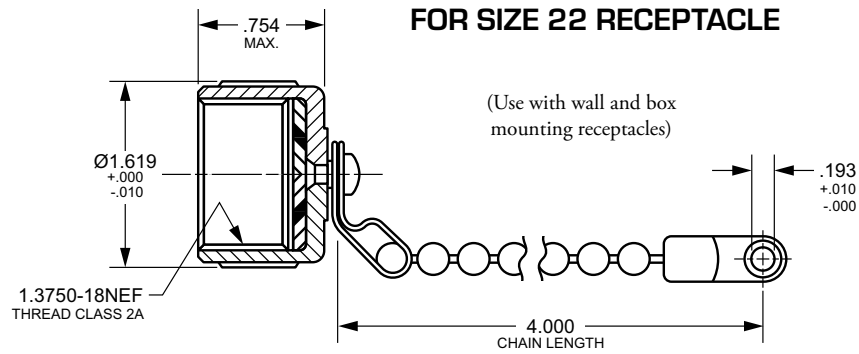
FOR SIZE 22 RECEPTACLE



Order Number: 7388352

The Crown Flat Flange Gasket of synthetic rubber material is provided to further complete the moisture-proofing and pressure sealing features of Crown connectors. It is for use with flange mounting receptacles.

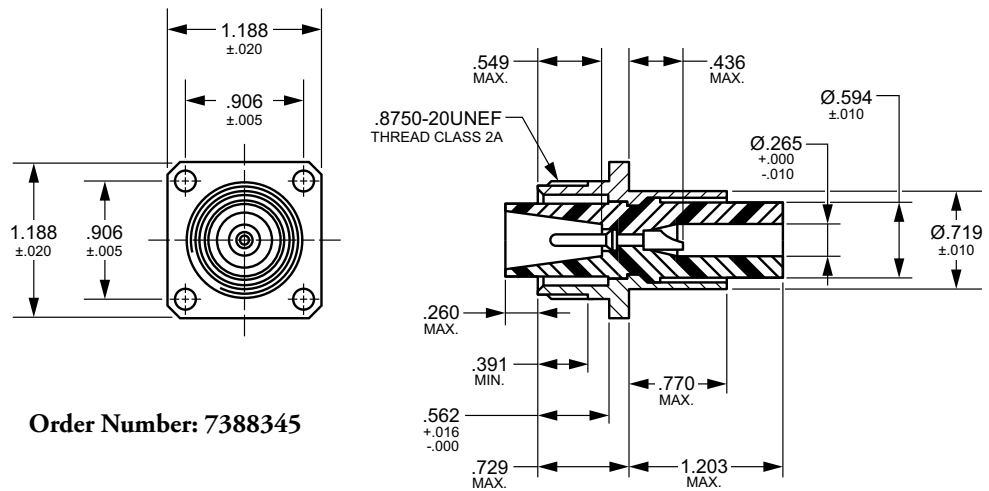
RECEPTACLE PROTECTION CAPS



Order Number: 7261674

This assembly provides for a moisture-proof, dust proof sealing for the receptacle when unmated. Chain and eyelet provide permanent attachment under the mounting bolt of the receptacle assembly.

HI-TENSION RECEPTACLES



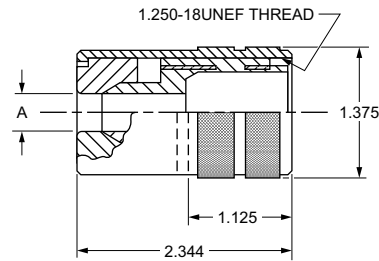
Order Number: 7388345

This receptacle, together with its mating plug, is designed to withstand a 17.7 KVAC rms potential at 60 CPS for one minute, using JAN RG-8/U cable (or equivalent). Protection from vibration is ensured through the dampening action of the Crown resilient insert and the strength of special alloy aluminum shells.

ENVIRONMENTAL ADAPTER

SM-C-339543

CR1000 ADAPTER FOR SIZE 22 CONNECTOR



The CR1000 Adapter is designed as a functional equivalent to the SM-C-339543. This new design has incorporated the six component parts and eight groups of the Signal Corp. Adapter into only three component parts and three groups. Some advantages offered by the CR1000 are: reductions in cost, overall length, weight and a reduction in the number of parts that are subject to corrosion.

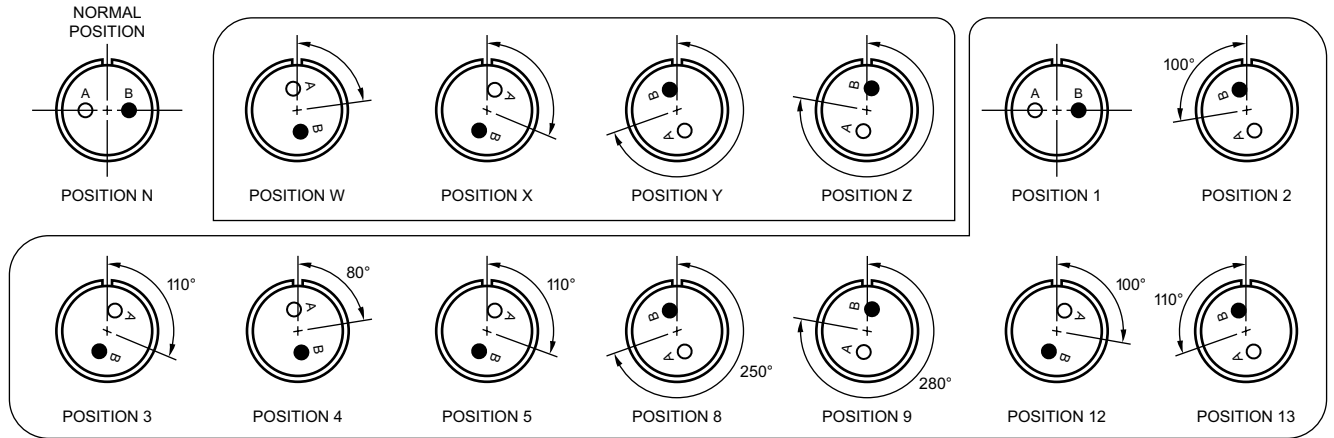
ORDNANCE CROSS REFERENCE

Army Electronics Command	Cable Range	Crown Catalog	Crown P/N	Cable Range	Sunbank	Amphenol	Ordnance
-	-	CR1000-GRP0	200-1002-003	.210-.265	-	-	-
SC-D-339543-GRP1	0.340	CR1000-GRP1	200-1002-103	.290-.437	-	-	-
SC-D-339543-GRP2	0.375	CR1000-GRP1	200-1002-103	.290-.437	-	-	-
SC-D-339543-GRP3	0.437	CR1000-GRP1	200-1002-103	.290-.437	-	-	-
SC-D-339543-GRP4	0.500	CR1000-GRP2	200-1002-203	.425-.575	S1601-4	10-35998-221 10-229936-221	7729621
SC-D-339543-GRP5	0.562	CR1000-GRP2	200-1002-203	.425-.575	-	10-35998-225 10-229936-225	-
SC-D-339543-GRP6	0.625	CR1000-GRP3	200-1002-303	.580-.750	-	10-35998-222 10-22936-222	7722241
SC-D-339543-GRP7	0.687	CR1000-GRP3	200-1002-303	.580-.750	-	10-35998-223 10-229936-223	7722242
SC-D-339543-GRP8	0.750	CR1000-GRP3	200-1002-303	.580-.750	-	10-35998-224 10-229936-224	7722243

5015 INSERT CONFIGURATIONS

ALTERNATE POSITIONS (POLARIZATION)

The diagrams indicate alternate insert positions. The four positions (W, X, Y, and Z) differ in degree of rotation for various sizes and layouts.



ENGAGING FACE OF PIN INSERTS SHOWN
SOCKET INSERTS ARE MIRROR IMAGES

Part Number	Contacts							Alternate Positions (Degrees)				Remarks
	Total	Size						W	X	Y	Z	
		# 20	# 18	# 16	# 12	# 8	# 4					
10SL-3†	3	-	-	3	-	-	-	-	-	-	-	Position Q = 180°
10SL-4‡	2	-	-	2	-	-	-	-	-	-	-	-
12S-1‡	2	-	-	2	-	-	-	-	-	-	-	Position #12 of 12S-3
12S-2‡	2	-	-	2	-	-	-	-	-	-	-	Position #13 of 12S-3
12S-3‡	2	-	-	2	-	-	-	70	145	215	290	-
12S-4‡	1	-	-	1	-	-	-	-	-	-	-	-
12-5‡	1	-	-	1	-	-	-	-	-	-	-	-
14S-1‡	3	-	-	3	-	-	-	-	-	-	-	Same as 14S-7
14S-2†	4	-	-	4	-	-	-	-	120	240	-	-
14-3†	1	-	-	-	-	1	-	-	-	-	-	-
14S-4‡	1	-	-	1	-	-	-	-	-	-	-	-
14S-5†	5	-	-	5	-	-	-	90	110	-	-	Non-Military Positions W=90°
14S-6†	6	-	-	6	-	-	-	-	-	-	-	Non-Military Positions W=80°
14S-07	7	-	-	7	-	-	-	-	-	-	-	Use 14SA7
14SA7	7	-	-	7	-	-	-	-	-	-	-	Replaces: 14SA7, 14-07
14S-7†	3	-	-	3	-	-	-	90	180	270	-	-
14S-9‡	2	-	-	2	-	-	-	70	145	215	290	-
14S-10‡	4	-	-	4	-	-	-	-	-	-	-	Position #12 of 14S-2
14S-11‡	4	-	-	4	-	-	-	-	-	-	-	Position #13 of 14S-2
14S-12‡	3	-	-	3	-	-	-	-	-	-	-	Position #12 of 14S-1
14S-13‡	3	-	-	3	-	-	-	-	-	-	-	Position #2 of 14S-1
14S-14‡	4	-	-	4	-	-	-	-	-	-	-	Position #12 of 14S-2
16S-1†	7	-	-	7	-	-	-	80	-	-	280	-
16-2†	1	-	-	-	1	-	-	-	-	-	-	-
16S-3†	1	-	-	1	-	-	-	-	-	-	-	-
16S-4†	2	-	-	2	-	-	-	35	110	250	325	-
16S-5‡	3	-	-	3	-	-	-	70	145	215	290	-
16S-6‡	3	-	-	3	-	-	-	90	180	270	-	-

† = Military designation per MIL-STD-1651
‡ = Military designation inactive for new design.

CONTINUED ON NEXT PAGE

5015 INSERT CONFIGURATIONS

CONTINUED FROM PREVIOUS PAGE

Part Number	Contacts								Alternate Positions (Degrees)				Remarks
	Total	Size							W	X	Y	Z	
		# 20	# 18	# 16	# 12	# 8	# 4	# 0					
16-7†	3	-	-	2	-	1	-	-	80	110	250	280	-
16S-8‡	5	-	-	5	-	-	-	-	-	170	265	-	-
16-9†	4	-	-	2	2	-	-	-	35	110	250	325	-
16-10†	3	-	-	-	3	-	-	-	90	180	270	-	-
16A10	10	-	-	10	-	-	-	-	35	112	235	315	-
16-11†	2	-	-	-	2	-	-	-	35	110	250	325	-
16A11	2	-	-	-	2	-	-	-	-	110	250	-	-
16-12†	1	-	-	-	-	-	1	-	-	-	-	-	-
16S-14‡	3	-	-	3	-	-	-	-	-	-	-	-	Position #3 of 16S-5
16S-15‡	2	-	-	2	-	-	-	-	-	-	-	-	Position #12 of 16S-4
16S-16†	2	-	-	2	-	-	-	-	-	-	-	-	Position #13 of 16S-4
18-1†	10	-	-	10	-	-	-	-	70	145	215	290	-
18-3‡	2	-	-	-	2	-	-	-	35	110	250	325	-
18-4†	4	-	-	4	-	-	-	-	35	110	250	325	-
18-5†	3	-	-	1	2	-	-	-	80	110	250	280	-
18-06†	6	-	-	2	4	-	-	-	-	180	-	-	Use 18A6
18-6†	1	-	-	-	-	-	1	-	-	-	-	-	-
18A6	6	-	-	2	4	-	-	-	-	180	-	-	-
18-7†	1	-	-	-	-	1	-	-	-	-	-	-	-
18-8†	8	-	-	7	1	-	-	-	70	-	-	290	-
18-9†	7	-	-	5	2	-	-	-	80	110	270	280	-
18-10‡	4	-	-	-	4	-	-	-	-	120	240	-	-
18-11†	5	-	-	-	5	-	-	-	-	170	265	-	-
18-12†	6	-	-	6	-	-	-	-	80	-	-	280	-
18-13†	4	-	-	-	3	1	-	-	80	110	250	280	-
18-14†	2	-	-	1	-	-	1	-	80	110	250	280	-
18-15†	4	-	-	-	4	-	-	-	-	120	240	-	-
18-16	1	-	-	-	1	-	-	-	-	-	-	-	High voltage
18-17‡	7	-	-	5	2	-	-	-	-	-	-	-	100 Deg Rotation To Right of 18-9
18-18‡	7	-	-	5	2	-	-	-	-	-	-	-	250 Deg Rotation To Right of 18-9
18-19‡	10	-	-	10	-	-	-	-	-	120	240	-	-
18-20‡	5	-	-	5	-	-	-	-	90	180	270	-	-
18-21‡	3	-	-	-	3	-	-	-	90	180	270	-	-
18-22‡	3	-	-	3	-	-	-	-	70	145	215	290	-
18-23‡	10	-	-	10	-	-	-	-	-	-	-	-	Position #12 of 18-1
18-24‡	10	-	-	10	-	-	-	-	-	-	-	-	Position #13 of 18-1
18-25‡	2	-	-	-	2	-	-	-	-	-	-	-	Position #12 of 18-3
18-26‡	2	-	-	-	2	-	-	-	-	-	-	-	Position #13 of 18-3
18-27‡	3	-	-	1	2	-	-	-	-	-	-	-	Position #12 of 18-5
18-28‡	3	-	-	1	2	-	-	-	90	180	270	-	Position #13 of 18-5
18-29‡	5	-	-	5	-	-	-	-	90	180	270	-	-
18-30‡	5	-	-	5	-	-	-	-	-	-	-	-	Position #3 of 18-20
18-31‡	5	-	-	5	-	-	-	-	-	-	-	-	Position #2 of 18-20
18A31	10	-	-	10	-	-	-	-	-	-	-	-	Position #5 of 18-1
20-1‡	14	-	-	14	-	-	-	-	-	-	-	-	Same as 20-27
20-2†	1	-	-	-	-	-	1	-	-	-	-	-	-
20-3‡	3	-	-	-	3	-	-	-	70	145	215	290	-
20-4†	4	-	-	-	4	-	-	-	45	110	250	-	-
20-5‡	2	-	-	-	2	-	-	-	35	110	250	325	-
20-6‡	3	-	-	3	-	-	-	-	70	145	215	290	-
20-7†	8	-	-	8	-	-	-	-	80	110	250	280	-
20-8†	6	-	-	4	-	2	-	-	80	110	250	280	-

† = Military designation per MIL-STD-1651
‡ = Military designation inactive for new design.

CONTINUED ON NEXT PAGE

5015 INSERT CONFIGURATIONS



INSERT
CONFIG.

CONTINUED FROM PREVIOUS PAGE

Part Number	Contacts								Alternate Positions (Degrees)				Remarks	
	Total	Size							W	X	Y	Z		
		# 20	# 18	# 16	# 12	# 8	# 4	# 0						
20B8	8	-	-	4	4	-	-	-	-	-	-	-	-	-
20-9†	8	-	-	7	1	-	-	-	80	110	250	280	-	-
20A9	9	-	-	9	-	-	-	-	-	110	250	-	-	-
20-10‡	4	-	-	4	-	-	-	-	-	-	-	-	-	-
20-11‡	13	-	-	13	-	-	-	-	-	-	-	-	-	-
20-12‡	2	-	-	1	-	-	1	-	80	110	250	280	-	-
20-13‡	4	-	-	4	-	-	-	-	-	-	-	-	-	-
20-14†	5	-	-	-	3	2	-	-	80	110	250	280	-	-
20-15†	7	-	-	-	7	-	-	-	80	-	-	280	-	-
20-16†	9	-	-	7	2	-	-	-	80	110	250	280	-	-
20A16	13	-	-	13	-	-	-	-	-	-	-	-	-	Same as 20-11
20-17†	6	-	-	1	5	-	-	-	90	180	270	-	-	-
20-18†	9	-	-	6	3	-	-	-	35	110	250	325	-	-
20-19‡	3	-	-	-	-	3	-	-	90	180	270	-	-	-
20-20‡	4	-	-	-	3	-	1	-	80	110	250	280	-	-
20-21†	9	-	-	8	1	-	-	-	35	110	250	325	-	-
20-22†	6	-	-	3	-	3	-	-	80	110	250	280	-	-
20-23‡	2	-	-	-	-	2	-	-	35	110	250	325	-	-
20-24‡	4	-	-	2	-	2	-	-	35	110	250	325	-	-
20-25‡	13	-	-	13	-	-	-	-	-	-	-	-	-	Position #12 of 20-11
20-26‡	3	-	-	-	3	-	-	-	-	-	-	-	-	-
20-27†	14	-	-	14	-	-	-	-	35	110	250	325	-	-
20-29†	17	-	-	17	-	-	-	-	80	-	-	280	-	-
20-30‡	13	-	-	13	-	-	-	-	-	-	-	-	-	Position #13 of 20-11
20-31‡	11	-	-	11	-	-	-	-	-	-	-	-	-	-
20-32‡	8	-	-	8	-	-	-	-	-	-	-	-	-	Position #2 of 20-7
20-33†	11	-	-	11	-	-	-	-	-	-	-	280	-	Non-Military Positions Z=280°
20A48	19	-	-	19	-	-	-	-	-	80	280	-	-	-
20-58	10	-	-	5	5	-	-	-	-	-	-	-	-	-
20-629	4	-	-	4	-	-	-	-	-	-	-	-	-	Same as 20-10
20-854	2	-	-	-	2	-	-	-	-	-	-	-	-	-
22-1‡	2	-	-	-	-	2	-	-	35	110	250	325	-	-
22-2†	3	-	-	-	-	3	-	-	70	145	215	290	-	-
22-3‡	2	-	-	1	-	-	1	-	80	110	250	280	-	-
22-4‡	4	-	-	-	2	2	-	-	35	110	250	325	-	-
22-5‡	6	-	-	4	2	-	-	-	35	110	250	325	-	-
22-6‡	3	-	-	1	-	2	-	-	80	110	250	280	-	-
22-7†	1	-	-	-	-	-	-	1	-	-	-	-	-	-
22-8‡	2	-	-	-	2	-	-	-	35	110	250	325	-	-
22-9†	3	-	-	-	3	-	-	-	70	145	215	290	-	-
22-10†	4	-	-	4	-	-	-	-	35	110	250	325	-	-
22A10	10	-	-	10	-	-	-	-	-	120	240	-	-	-
22-11†	2	-	-	2	-	-	-	-	35	110	250	325	-	-
22-12†	5	-	-	3	-	2	-	-	80	110	250	280	-	-
22-13‡	5	-	-	1	4	-	-	-	35	110	250	325	-	-
22-14†	19	-	-	19	-	-	-	-	80	110	250	280	-	-
22-15†	6	-	-	1	5	-	-	-	80	110	250	280	-	-
22-16‡	9	-	-	6	3	-	-	-	80	110	250	280	-	-
22-17†	9	-	-	8	1	-	-	-	80	110	250	280	-	-
22-18†	8	-	-	8	-	-	-	-	80	110	250	280	-	-
22-19†	14	-	-	14	-	-	-	-	80	110	250	280	-	-
22-20‡	9	-	-	9	-	-	-	-	35	110	250	325	-	-

† = Military designation per MIL-STD-1651
‡ = Military designation inactive for new design.

CONTINUED ON NEXT PAGE



5015 INSERT CONFIGURATIONS

CONTINUED FROM PREVIOUS PAGE

Part Number	Contacts							Alternate Positions (Degrees)				Remarks
	Total	Size						W	X	Y	Z	
		# 20	# 18	# 16	# 12	# 8	# 4					
22-21†	3	-	-	2	-	-	1	80	110	250	280	-
22-22†	4	-	-	-	-	4	-	-	110	250	-	-
22B22	4	-	-	-	-	4	-	-	110	250	-	-
22-23†	8	-	-	-	8	-	-	35	-	250	-	-
22-24‡	6	-	-	4	2	-	-	80	110	250	280	-
22-25‡	3	-	-	2	-	-	1	80	110	250	280	-
22-26‡	7	-	-	5	2	-	-	-	-	-	-	-
22-27†	9	-	-	8	-	1	-	80	-	250	280	-
22-28‡	7	-	-	-	7	-	-	80	-	-	280	-
22-29‡	7	-	-	6	-	-	1	80	110	250	280	-
22-30‡	19	-	-	19	-	-	-	-	-	-	-	Position #12 of 22-14
22-31‡	2	-	-	2	-	-	-	-	-	-	-	Position #12 of 22-11
22-32‡	6	-	-	4	2	-	-	-	-	-	-	Position #2 of 22-5
22-33‡	7	-	-	7	-	-	-	80	110	250	280	-
22-34‡	5	-	-	2	3	-	-	80	110	250	280	-
22-35‡	3	-	-	-	-	3	-	-	-	-	-	-
22A37	37	-	37	-	-	-	-	80	112	250	280	-
22-63	12	-	-	8	4	-	-	-	-	-	-	-
22-70	13	-	-	5	8	-	-	-	-	-	-	-
22-82	10	-	-	8	-	2	-	80	110	250	280	-
24-1†	2	-	-	1	-	-	1	80	110	250	280	-
24A1	1	-	-	-	-	-	1	-	-	-	-	-
24-2†	7	-	-	-	7	-	-	80	-	-	280	-
24-3‡	7	-	-	5	2	-	-	80	110	250	280	-
24-4†	4	-	-	3	-	-	1	80	110	250	280	-
24-5‡	16	-	-	16	-	-	-	80	110	250	280	-
24G5	5	-	-	-	-	5	-	70	110	240	270	-
24-06	6	-	-	2	-	4	-	40	-	-	320	Use 24C06
24-6†	8	-	-	-	8	-	-	80	110	250	280	-
24A6	6	-	-	-	4	2	-	40	-	-	320	-
24C06	6	-	-	2	-	4	-	40	-	-	320	-
24-07	7	-	-	-	7	-	-	80	-	-	280	Use 24A7
24-7†	16	-	-	14	2	-	-	80	110	250	280	-
24A7	7	-	-	-	7	-	-	80	-	-	280	-
24-9‡	2	-	-	-	-	-	2	35	110	250	325	-
24-10†	7	-	-	-	7	-	-	80	-	-	280	-
24-11†	9	-	-	-	6	3	-	35	110	250	325	-
24-12†	5	-	-	-	3	-	2	80	110	250	280	-
24S12	12	-	-	10	-	-	2	-	-	-	-	-
24-013	13	-	-	7	6	-	-	-	-	-	-	Use 24A13
24A13	13	-	-	7	6	-	-	-	-	-	-	-
24-14‡	3	-	-	-	2	-	1	80	110	250	280	-
24S14‡	14	-	-	12	-	-	2	-	-	-	-	-
24-15‡	16	-	-	16	-	-	-	-	-	-	-	Position #12 of 24-5
24-16†	7	-	-	3	3	1	-	80	110	250	280	-
24-17‡	5	-	-	3	2	-	-	80	110	250	280	-
24-18	4	-	-	4	-	-	-	-	-	-	-	Shorting type
24-19‡	12	-	-	12	-	-	-	-	-	-	-	-
24-20†	11	-	-	9	2	-	-	80	110	250	280	-
24-21†	10	-	-	9	-	1	-	80	110	250	280	-
24-22†	4	-	-	-	-	4	-	45	110	250	-	-
24-23‡	5	-	-	2	-	3	-	80	110	250	280	-

† = Military designation per MIL-STD-1651
‡ = Military designation inactive for new design.

CONTINUED ON NEXT PAGE

5015 INSERT CONFIGURATIONS



INSERT
CONFIG.

CONTINUED FROM PREVIOUS PAGE

Part Number	Contacts								Alternate Positions (Degrees)				Remarks
	Total	Size							W	X	Y	Z	
		# 20	# 18	# 16	# 12	# 8	# 4	# 0					
24-24‡	16	-	-	16	-	-	-	-	-	-	-	-	Position #13 of 24-5
24-25‡	8	-	-	-	8	-	-	-	-	-	-	-	Position #12 of 24-6
24A25	25	-	-	25	-	-	-	-	80	110	250	280	-
24-26‡	8	-	-	-	8	-	-	-	-	-	-	-	Position #13 of 24-6
24-27†	7	-	-	-	7	-	-	-	80	-	-	280	-
24-28†	24	-	-	24	-	-	-	-	80	110	250	280	-
24A28	28	-	-	28	-	-	-	-	65	146	235	-	-
24A35	16	-	-	-	14	2	-	-	-	-	-	-	Position #12 of 24-7
24A40	16	-	-	14	2	-	-	-	-	-	-	-	-
24A55	55	55	-	-	-	-	-	-	90	110	250	280	-
24-58	13	-	-	7	3	3	-	-	-	-	-	-	-
24-59	14	-	-	7	7	-	-	-	-	-	-	-	-
24-65	15	-	-	4	11	-	-	-	-	-	-	-	-
24-66	7	-	-	-	7	-	-	-	-	-	-	-	-
24-67	19	-	-	-	19	-	-	-	80	-	-	335	-
24-79	5	-	-	-	-	5	-	-	-	-	-	-	-
24-80†	23	-	-	23	-	-	-	-	35	145	240	300	-
28-1†	9	-	-	-	6	3	-	-	80	110	250	280	-
28B1	1	-	-	-	-	-	-	1	-	-	-	-	-
28-2†	14	-	-	12	2	-	-	-	35	110	250	325	-
28-3†	3	-	-	-	-	3	-	-	70	145	215	290	-
28-4†	9	-	-	7	2	-	-	-	80	110	250	280	-
28-5†	5	-	-	2	1	-	2	-	35	110	250	325	-
28-6‡	3	-	-	-	-	-	3	-	70	145	215	290	-
28-7†	2	-	-	-	-	-	2	-	35	110	250	325	-
28-8†	12	-	-	10	2	-	-	-	80	110	250	280	-
28-09	9	-	-	5	-	-	4	-	110	250	260	280	Use 28A9
28-9†	12	-	-	6	6	-	-	-	80	110	250	280	-
28A9	9	-	-	5	-	-	4	-	110	250	260	280	-
28-10†	7	-	-	-	3	2	2	-	80	110	250	280	-
28-11†	22	-	-	18	4	-	-	-	80	110	250	280	-
28-12†	26	-	-	26	-	-	-	-	90	180	270	-	-
28-13‡	26	-	-	26	-	-	-	-	-	-	-	-	Position #12 of 28-12
28-14‡	11	-	-	11	-	-	-	-	80	110	250	280	-
28-15†	35	-	-	35	-	-	-	-	80	110	250	280	-
28-16‡	20	-	-	20	-	-	-	-	80	110	250	280	-
28-17†	15	-	-	15	-	-	-	-	80	110	250	280	-
28-18†	12	-	-	12	-	-	-	-	70	145	215	290	-
28-19†	10	-	-	6	4	-	-	-	80	110	250	280	-
28-20†	14	-	-	4	10	-	-	-	80	110	250	280	-
28-21†	37	-	-	37	-	-	-	-	80	110	250	280	-
28-22†	6	-	-	3	-	-	3	-	70	145	215	290	-
28A29	29	-	-	27	-	2	-	-	80	110	250	280	-
28A31	31	-	25	-	-	6	-	-	-	-	-	-	-
28A35	35	-	-	35	-	-	-	-	80	110	250	280	-
28-51	12	-	-	-	12	-	-	-	80	135	195	-	-
28A55	29	-	-	29	-	-	-	-	-	-	-	-	-
28-59	17	-	-	10	7	-	-	-	35	110	250	325	-
28A63	28	-	-	19	9	-	-	-	-	100	260	-	-
28-72	72	72	-	-	-	-	-	-	72	144	216	288	-
28-79	16	-	-	9	-	7	-	-	80	110	250	280	-
28-84	9	-	-	-	-	9	-	-	-	-	-	-	-

† = Military designation per MIL-STD-1651
‡ = Military designation inactive for new design.

CONTINUED ON NEXT PAGE



5015 INSERT CONFIGURATIONS

CONTINUED FROM PREVIOUS PAGE

Part Number	Contacts							Alternate Positions (Degrees)				Remarks	
	Total	# 20	# 18	# 16	# 12	# 8	# 4	# 0	W	X	Y		Z
28-124	16	-	-	12	-	4	-	-	80	110	250	280	-
32-1†	5	-	-	3	-	-	2	-	80	110	250	280	-
32A1	1	-	-	-	-	-	-	-	-	-	-	-	1 Size 4/0 Contact
32-2†	5	-	-	2	-	3	-	-	70	145	215	290	-
32-3†	9	-	-	4	2	-	2	1	80	110	250	280	-
32 A3	3	-	-	-	-	3	-	-	22	44	75	-	-
32-4‡	14	-	-	12	2	-	-	-	80	110	250	280	-
32-5‡	2	-	-	-	-	-	2	-	35	110	250	325	-
32-6†	23	-	-	16	2	3	2	-	80	110	250	280	-
32-7†	35	-	-	28	7	-	-	-	80	125	235	280	-
32-8‡	30	-	-	24	6	-	-	-	80	125	235	280	-
32-9†	14	-	-	12	-	2	-	-	80	110	250	280	-
32-10‡	7	-	-	3	-	2	2	-	80	110	250	280	-
32-12‡	15	-	-	10	5	-	-	-	80	110	250	280	-
32-013	13	-	-	-	13	-	-	-	65	130	230	295	Use 32A13
32-13†	23	-	-	18	5	-	-	-	80	110	250	280	-
32A13	13	-	-	-	13	-	-	-	65	130	230	295	-
32-14‡	7	-	-	-	5	-	2	-	35	110	250	325	-
32-15†	8	-	-	-	6	-	-	2	35	110	250	280	-
32-16‡	23	-	-	16	2	3	2	-	-	-	-	-	Position #12 of 32-6
32-17†	4	-	-	-	-	4	-	-	45	110	250	-	-
32-18‡	14	-	-	12	2	-	-	-	-	-	-	-	Position #12 of 32-4
32-19‡	5	-	-	-	3	-	-	2	-	-	-	-	Position #2 of 32-1
32S19‡	19	-	-	-	19	-	-	-	-	-	-	-	-
32-20‡	23	-	-	16	2	3	2	-	-	-	-	-	Position #2 of 32-6
32-22†	54	-	-	54	-	-	-	-	80	110	250	280	-
32A22	22	-	-	20	-	-	2	-	-	-	-	-	-
32B22	22	-	-	20	-	-	2	35	110	250	325	-	-
32A25	25	-	-	-	25	-	-	-	60	120	-	-	-
32A27	27	-	-	17	10	-	-	-	30	115	285	335	-
32A29	23	-	-	16	2	3	2	-	-	-	-	-	Rotation of 32-6
32A30	30	-	-	20	10	-	-	-	-	-	-	-	-
32-31	31	-	-	31	-	-	-	-	80	125	215	280	-
32A40	40	-	-	40	-	-	-	-	35	130	-	-	-
32A48	48	-	-	48	-	-	-	-	80	-	-	-	-
32-52	8	-	-	-	6	-	2	-	-	-	-	-	90 Deg Rotation of 32-15
32-53	42	-	-	37	5	-	-	-	-	-	-	-	-
32A55	55	-	-	55	-	-	-	-	80	110	250	280	-
32-59	42	-	-	40	-	2	-	-	36	108	252	324	-
32-63†	5	-	-	-	-	5	-	-	-	-	-	-	-
32-64	54	-	-	54	-	-	-	-	-	-	-	-	-
32-68	16	-	-	12	-	4	-	-	65	135	225	275	-
32A69*	61	41	-	20	-	-	-	-	110	250	-	-	-
32-73†	46	-	-	46	-	-	-	-	36	-	-	-	-
32-76	19	-	-	-	19	-	-	-	80	110	250	280	-
32-79	5	-	-	-	-	1	4	-	-	-	-	315	-
32-88	54	-	-	54	-	-	-	-	80	110	250	280	-
32A401	40	-	-	40	-	-	-	-	-	-	-	-	-
32-689	9	-	-	6	-	-	3	-	-	-	-	-	-

† = Military designation per MIL-STD-1651
‡ = Military designation inactive for new design.

TABLE I. CONTACT ARRANGEMENT SERVICE RATING

MS Service Rating	Recommended Operating Voltage* At Sea Level		Effective Creepage Distance Nom.	Mechanical Spacing Nom.
	DC	AC (RMS)		
Inst.	250	200	1/16	–
A	700	500	1/8	1/16
D	1250	900	3/16	1/8
E	1750	1250	1/4	3/16
B	2450	1750	5/16	1/4
C	4200	3000	1	5/16

ELECTRICAL SERVICE DATA

Test current ratings of contacts and allowable voltage drop under test conditions when assembled as in service are shown below. Maximum total current to be carried per connector is the same as the allowable in wire bundles as specified in MIL-W-5088.

ALTITUDE VOLTAGE DERATING * * CHART

MS Service Rating	Nominal Distance		Standard Sea Level Conditions		Pressure Altitude† 50,000 Feet		Pressure Altitude† 70,000 Feet	
	Airspace	Creepage	Minimum Flashover Voltage AC (RMS)	Test Voltage AC (RMS)	Minimum Flashover Voltage AC (RMS)	Test Voltage AC (RMS)	Minimum Flashover Voltage AC (RMS)	Test Voltage AC (RMS)
Inst.	1/32	1/16	1400	1000	550	400	325	260
A	1/16	1/8	2800	2000	800	600	450	360
D	1/8	3/16	3600	2800	900	675	500	400
E	3/16	1/4	4500	3500	1000	750	550	440
B	1/4	5/16	5700	4500	1100	825	600	480
C	5/16	1	8500	7000	1300	975	700	560

† Not corrected for changes in density due to variations in temperature.

** No attempt has been made to recommend operating voltages. The designer must determine his own operating voltage by the application of a safety factor to the above derating chart to compensate for circuit transients, surges, etc.

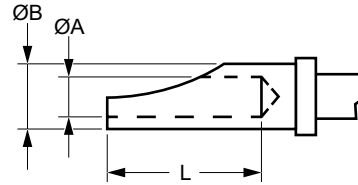
CONTACT RATINGS

Contact Size	Wire Size	Rated Current	Potential Drop	Max Current
16 & 16S	16 AWG	13 A	49 mV	22A
12	12 AWG	23 A	42 mV	41A
8	8 AWG	46 A	26 mV	73A
4	4 AWG	80 A	23 mV	135A
0	0 AWG	150 A	21 mV	245A

5015 SOLDER CONTACTS

SOLDER CONTACT CURRENT RATINGS*

Mating End Size	Wire Barrel Size	Allowable Wire Size	Test Current** Amps
16/16S	16	16	13
		18	10
		20	7.5
		22	5
12	12	12	23
		14	17
8	8	8	46
		10	33
4	4	4	80
		6	60
0	0	0	150
		1	125
		2	100



SOLDER CUP DIMENSIONS

Contact Size	A Min	B	L
16	.069 [1.75]	.096/.116 [2.43/2.94]	.250/.313 [6.35/7.95]
12	.112 [2.84]	.130/.150 [3.30/3.81]	.375/.438 [9.52/11.12]
8	.205 [5.20]	.243/.259 [6.17/6.57]	.500/.563 [12.70/14.30]
4	.328 [8.33]	.370/.397 [9.39/10.08]	.625/.688 [15.87/17.47]
0	.464 [11.78]	.510/.550 [12.95/13.97]	.625/.688 [15.87/17.47]

Dimensions are in Inches [mm]

TABLE II. WIRE RANGE ACCOMMODATIONS

Contact Size	Wire Size	O.D. Of Finished Wire (Inch)					
		Solder Contact Connectors		Crimp Contact Connectors			
		Min	Max	Front Release		Rear Release	
		Min	Max	Min	Max	Min	Max
16-16	20	.064 [1.63]	.130 [3.30]	0.66 [1.68]	.130 [3.30]	.053 [1.35]	.103 [2.62]
	18						
	16						
12-12	14	.114 [2.90]	.170 [4.32]	.097 [2.46]	.170 [4.32]	.085 [2.16]	.158 [4.01]
	12						
8-8	10	.164 [4.17]	.255 [6.48]	.132 [3.35]	.255 [6.48]	.132 [3.35]	.255 [6.48]
	8						
4-4	6	.272 [6.91]	.370 [9.40]	.237 [6.02]	.370 [9.40]	.237 [6.02]	.370 [9.40]
	4						
0-0	2	.415 [10.54]	.550 [13.97]	.360 [9.14]	.550 [13.97]	.360 [9.14]	.550 [13.97]
	0						

Dimensions are in Inches [mm]

* Solder Wells Filled

** Contact ratings as stated are test ratings only. The connector could not withstand full rated current through all contacts continuously. Please note that the electrical data given is not an establishment of electrical safety factors. This is left entirely in the designer's hands as he can best determine which peak voltage, switching surges, transients, etc. can be expected in a particular circuit.

5015 SERIES I - SOLDER CONTACTS

Size	Pin	Pin Filled Solder Cup (Note 1)	Socket (Note 1)	Socket Filled Solder Cup (Note 1)	Material	Finish
16S	P12-5100-310	P12-5100-315	S12-5100-610	S12-5100-615	Note 2	Silver
16	P12-3800-310	P12-3800-315	S12-3800-610	S12-3800-615	Note 2	Silver
12	P12-6500-310	P12-6500-315	S12-6500-610	S12-6500-615	Note 2	Silver
8	P12-7900-310	P12-7900-315	S12-7900-510	S12-7900-515	Note 2	Silver
4	P12-8500-310	P12-8500-315	S12-8500-510	S12-8500-515	Note 2	Silver
1/0	P12-9200-310	P12-9200-315	S12-9200-510	S12-9200-515	Note 2	Silver

Note 1: Only MS3100 thru MS3108 and MS25183 connectors are supplied with solder filled cups

Note 2: Pins are brass; Sockets are copper.

5015 CRIMP CONTACTS

PIN F80

R12 - 36 **15 - 140**

SERIES PREFIX
R12 AS50151 crimp F80 pin contact.

MODIFICATION
Consult Sales Department.

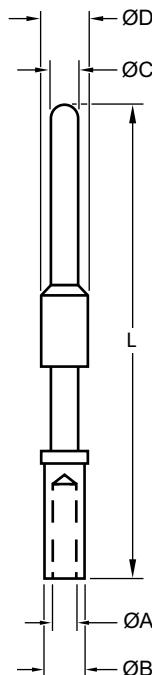
CONTACT SIZE

CODE	36	49	64	79	85	92
SIZE	16	16S	12	8	4	1/0

MATERIAL/FINISH
110 Copper/silver.
140 Copper/gold.
142 Copper/gold 0.00030.

WIRE RANGE
See Table below.

Material: Copper
Finish: Silver



Part Number	Size	For Wire Size		A	B	C	D	L
		AWG	mm ²					
R12-3632-110	16	28-32	—	.018 [0.45]	.077 [1.95]	.062 [1.58]	.126 [3.20]	1.250 [31.75]
R12-3608-110	16	24-26	0.20-0.15	.034 [0.85]	.061 [1.55]	.062 [1.58]	.126 [3.20]	1.250 [31.75]
R12-3613-110	16	20-26	0.60-0.15	.052 [1.30]	.076 [1.93]	.062 [1.58]	.126 [3.20]	1.250 [31.75]
R12-3612-110	16	20	0.60	.048 [1.20]	.102 [2.60]	.062 [1.58]	.126 [3.20]	1.250 [31.75]
R12-3615-110	16	18	1.0	.060 [1.50]	.102 [2.60]	.062 [1.58]	.126 [3.20]	1.250 [31.75]
R12-3600-110	16	16-18	1.5-1.0	.067 [1.70]	.102 [2.60]	.062 [1.58]	.126 [3.20]	1.250 [31.75]
R12-3620-110	16	14	2.0	.078 [2.00]	.115 [2.90]	.062 [1.58]	.126 [3.20]	1.250 [31.75]
R12-3626-110	16	12	3.0	.099 [2.50]	.150 [3.80]	.062 [1.58]	.126 [3.20]	1.250 [31.75]
R12-4913-110	16S	20-26	0.60-0.15	.052 [1.30]	.076 [1.93]	.062 [1.58]	.126 [3.20]	1.050 [26.65]
R12-4912-110	16S	20	0.60	.048 [1.20]	.102 [2.60]	.062 [1.58]	.126 [3.20]	1.050 [26.65]
R12-4915-110	16S	18	1.0	.060 [1.50]	.102 [2.60]	.062 [1.58]	.126 [3.20]	1.050 [26.65]
R12-4900-110	16S	16-18	1.5	.067 [1.70]	.102 [2.60]	.062 [1.58]	.126 [3.20]	1.050 [26.65]
R12-4920-110	16S	14	2.0	.078 [2.00]	.115 [2.90]	.062 [1.58]	.126 [3.20]	1.050 [26.65]
R12-4926-110	16S	12	3.0	.099 [2.50]	.150 [3.80]	.062 [1.58]	.126 [3.20]	1.050 [26.65]
R12-6412-110	12	20	0.60	.048 [1.20]	.102 [2.60]	.093 [2.38]	.189 [4.80]	1.480 [37.65]
R12-6415-110	12	18	1.0	.060 [1.50]	.134 [3.40]	.093 [2.38]	.189 [4.80]	1.480 [37.65]
R12-6420-110	12	14-18	2.0-1.0	.078 [2.00]	1.50 [3.80]	.093 [2.38]	.189 [4.80]	1.480 [37.65]
R12-6422-110	12	—	2.5	.087 [2.20]	.150 [3.80]	.093 [2.38]	.189 [4.80]	1.480 [37.65]
R12-6400-110	12	12	3.0	.099 [2.50]	.154 [3.90]	.093 [2.38]	.189 [4.80]	1.480 [37.65]
R12-6430-110	12	—	4.0	.118 [3.00]	.176 [4.80]	.093 [2.38]	.189 [4.80]	1.480 [37.65]
R12-6431-110	12	—	4.0	.130 [3.30]	.166 [4.20]	.093 [2.38]	.189 [4.80]	1.480 [37.65]
R12-6438-110	12	10	6.0	.142 [3.60]	.176 [4.80]	.093 [2.38]	.189 [4.80]	1.480 [37.65]
R12-6408-110	12	8	9.0	.177 [4.50]	.272 [6.90]	.093 [2.38]	.189 [4.80]	1.480 [37.65]
R12-7915-110	8	18	1.0	0.60 [1.50]	.134 [3.40]	.141 [3.59]	.307 [7.80]	1.603 [40.70]
R12-7918-110	8	14-18	2.0-1.0	0.71 [1.80]	.150 [3.80]	.141 [3.59]	.307 [7.80]	1.603 [40.70]
R12-7926-110	8	12	3.0	.099 [2.50]	.154 [3.90]	.141 [3.59]	.307 [7.80]	1.603 [40.70]
R12-7930-110	8	—	4.0	.118 [3.00]	.176 [4.80]	.141 [3.59]	.307 [7.80]	1.603 [40.70]
R12-7900-110	8	8	9.0	.177 [4.50]	.272 [6.90]	.141 [3.59]	.307 [7.80]	1.603 [40.70]
R12-7950-110	8	—	10.0	.201 [5.00]	.272 [6.90]	.141 [3.59]	.307 [7.80]	1.603 [40.70]
R12-7958-110	8	—	13.2	.229 [5.80]	.307 [7.80]	.141 [3.59]	.307 [7.80]	1.603 [40.70]
R12-8522-110	4	—	2.5	.087 [2.20]	.150 [3.80]	.225 [5.70]	.433 [11.00]	1.625 [41.25]
R12-8526-110	4	12	3.0	.099 [2.50]	.150 [3.80]	.225 [5.70]	.433 [11.00]	1.625 [41.25]
R12-8530-110	4	—	4.0	.118 [3.00]	.189 [4.80]	.225 [5.70]	.433 [11.00]	1.625 [41.25]
R12-8550-110	4	—	10.0	.201 [5.00]	.275 [7.00]	.225 [5.70]	.433 [11.00]	1.625 [41.25]
R12-8562-110	4	—	16.0	.244 [6.20]	.374 [9.50]	.225 [5.70]	.433 [11.00]	1.625 [41.25]
R12-8500-110	4	4	22.0	.280 [7.10]	.375 [9.53]	.225 [5.70]	.433 [11.00]	1.625 [41.25]
R12-8525-110	4	—	25.0	.307 [7.80]	.374 [9.50]	.225 [5.70]	.433 [11.00]	1.625 [41.25]
R12-8535-110	4	—	35.0	.354 [9.00]	.565 [14.35]	.225 [5.70]	.433 [11.00]	1.625 [41.25]
R12-9245-110	1/0	8	9.0	.177 [4.55]	.268 [6.80]	.356 [9.05]	.595 [15.11]	1.803 [46.50]
R12-9250-110	1/0	—	10.0	.201 [5.00]	.275 [7.00]	.356 [9.05]	.595 [15.11]	1.803 [46.50]
R12-9246-110	1/0	4	22.0	.281 [7.15]	.375 [9.53]	.356 [9.05]	.595 [15.11]	1.803 [46.50]
R12-9225-110	1/0	—	25.0	.307 [7.80]	.374 [9.50]	.356 [9.05]	.595 [15.11]	1.803 [46.50]
R12-9235-110	1/0	—	35.0	.354 [9.00]	.565 [14.35]	.356 [9.05]	.595 [15.11]	1.803 [46.50]
R12-9275-110	1/0	—	50.0	.421 [10.70]	.565 [14.35]	.356 [9.05]	.595 [15.11]	1.803 [46.50]
R12-9200-110	1/0	1/0	53.0	.453 [11.50]	.565 [14.35]	.356 [9.05]	.595 [15.11]	1.803 [46.50]

Dimensions in brackets [] are in millimeters.

5015 CRIMP CONTACTS

SOCKET F80

T12 - 36 | **15 - 540**

SERIES PREFIX
T12 AS50151 crimp F80 socket contact.

MODIFICATION
Consult Sales Department.

CONTACT SIZE

CODE	36	49	64	79	85	92
SIZE	16	16S	12	8	4	1/0

MATERIAL/FINISH
110 Copper/silver.
140 Copper/gold.
142 Copper/gold 0.00030
510* Copper/silver.
540* Copper/gold.
542* Copper/gold 0.00030

* Indicates closed entry socket.

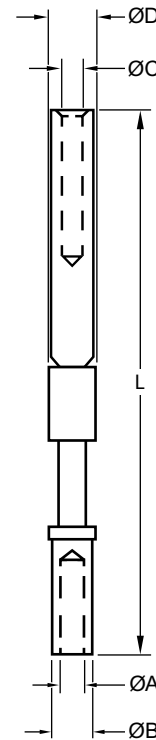
WIRE RANGE
See Table below.

* Applies only to socket contact sizes 8, 4, 1/0 and 4/0

Part Number	Size	For Wire Size		A	B	C	D	L
		AWG	mm ²					
T12-3632-110	16	28-32	-	.018 [0.45]	.077 [1.95]	.065 [1.65]	.126 [3.20]	1.440 [36.50]
T12-3608-110	16	24-26	0.20-0.15	.034 [0.85]	.061 [1.55]	.065 [1.65]	.126 [3.20]	1.440 [36.50]
T12-3613-110	16	20-26	0.60-0.15	.052 [1.30]	.076 [1.93]	.065 [1.65]	.126 [3.20]	1.440 [36.50]
T12-3612-110	16	20	0.60	.048 [1.20]	.102 [2.60]	.065 [1.65]	.126 [3.20]	1.440 [36.50]
T12-3615-110	16	18-20	1.0	.060 [1.50]	.102 [2.60]	.065 [1.65]	.126 [3.20]	1.440 [36.50]
T12-3600-110	16	16-18	1.5-1.0	.067 [1.70]	.102 [2.60]	.065 [1.65]	.126 [3.20]	1.440 [36.50]
T12-3620-110	16	14	2.0	.078 [2.00]	.115 [2.90]	.065 [1.65]	.126 [3.20]	1.440 [36.50]
T12-3626-110	16	12	3.0	.099 [2.50]	.150 [3.80]	.065 [1.65]	.126 [3.20]	1.440 [36.50]
T12-4913-110	16S	20-26	0.60-0.15	.052 [1.30]	.076 [1.93]	.065 [1.65]	.126 [3.20]	1.050 [26.65]
T12-4912-110	16S	20	0.60	.048 [1.20]	.102 [2.60]	.065 [1.65]	.126 [3.20]	1.050 [26.65]
T12-4915-110	16S	18	1.0	.060 [1.50]	.102 [2.60]	.065 [1.65]	.126 [3.20]	1.050 [26.65]
T12-4900-110	16S	16-18	1.5-1.0	.067 [1.70]	.102 [2.60]	.065 [1.65]	.126 [3.20]	1.050 [26.65]
T12-4920-110	16S	14	2.0	.078 [2.00]	.115 [2.90]	.065 [1.65]	.126 [3.20]	1.050 [26.65]
T12-4926-110	16S	12	3.0	.099 [2.50]	.150 [3.80]	.065 [1.65]	.126 [3.20]	1.050 [26.65]
T12-6412-110	12	20	0.60	.048 [1.20]	.102 [2.60]	.098 [2.48]	.189 [4.80]	1.480 [37.65]
T12-6415-110	12	18	1.0	.060 [1.50]	.134 [3.40]	.098 [2.48]	.189 [4.80]	1.480 [37.65]
T12-6420-110	12	14-18	2.0-1.0	.078 [2.00]	.150 [3.80]	.098 [2.48]	.189 [4.80]	1.480 [37.65]
T12-6422-110	12	-	2.5	.087 [2.20]	.150 [3.80]	.098 [2.48]	.189 [4.80]	1.480 [37.65]
T12-6400-110	12	12	3.0	.099 [2.50]	.154 [3.90]	.098 [2.48]	.189 [4.80]	1.480 [37.65]
T12-6430-110	12	-	4.0	.118 [3.00]	.176 [4.80]	.098 [2.48]	.189 [4.80]	1.480 [37.65]
T12-6431-110	12	-	4.0	.130 [3.30]	.166 [4.20]	.098 [2.48]	.189 [4.80]	1.480 [37.65]
T12-6438-110	12	10	6.0	.142 [3.60]	.176 [4.80]	.098 [2.48]	.189 [4.80]	1.480 [37.65]
T12-6408-110	12	8	9.0	.177 [4.50]	.272 [6.90]	.098 [2.48]	.189 [4.80]	1.480 [37.65]
T12-7915-510	8	18	1.0	.060 [1.50]	.134 [3.40]	.147 [3.73]	.307 [7.80]	1.595 [40.50]
T12-7918-510	8	14-18	2.0-1.0	.071 [1.80]	.150 [3.80]	.147 [3.73]	.307 [7.80]	1.595 [40.50]
T12-7926-510	8	12	3.0	.099 [2.50]	.154 [3.90]	.147 [3.73]	.307 [7.80]	1.595 [40.50]
T12-7930-510	8	-	4.0	.118 [8.00]	.176 [4.80]	.147 [3.73]	.307 [7.80]	1.595 [40.50]
T12-7900-510	8	8	9.0	.177 [4.50]	.272 [6.90]	.147 [3.73]	.307 [7.80]	1.595 [40.50]
T12-7950-510	8	-	10.0	.201 [5.00]	.272 [6.90]	.147 [3.73]	.307 [7.80]	1.595 [40.50]
T12-7958-510	8	6	13.2	.229 [5.80]	.307 [7.80]	.147 [3.73]	.307 [7.80]	1.595 [40.50]
T12-8522-510	4	-	2.5	.087 [2.20]	.150 [3.80]	.230 [5.84]	.433 [11.00]	1.625 [41.25]
T12-8526-510	4	12	3.0	.099 [2.50]	.150 [3.80]	.230 [5.84]	.433 [11.00]	1.625 [41.25]
T12-8530-510	4	-	4.0	.118 [3.00]	.189 [4.80]	.230 [5.84]	.433 [11.00]	1.625 [41.25]
T12-8550-510	4	-	10.0	.201 [5.00]	.275 [7.00]	.230 [5.84]	.433 [11.00]	1.625 [41.25]
T12-8562-510	4	-	16.0	.244 [6.20]	.374 [9.50]	.230 [5.84]	.433 [11.00]	1.625 [41.25]
T12-8500-510	4	4	22.0	.281 [7.15]	.375 [9.50]	.230 [5.84]	.433 [11.00]	1.625 [41.25]
T12-8525-510	4	-	25.0	.307 [7.80]	.374 [9.50]	.230 [5.84]	.433 [11.00]	1.625 [41.25]
T12-8535-510	4	-	35.0	.354 [9.00]	.565 [14.35]	.230 [5.84]	.433 [11.00]	1.625 [41.25]
T12-9245-510	1/0	8	9.0	.177 [4.55]	.268 [6.80]	.365 [9.20]	.595 [15.11]	1.830 [46.50]
T12-9250-510	1/0	-	10.0	.201 [5.00]	.275 [7.00]	.365 [9.20]	.595 [15.11]	1.830 [46.50]
T12-9246-510	1/0	4	22.0	.281 [7.15]	.375 [9.53]	.365 [9.20]	.595 [15.11]	1.830 [46.50]
T12-9225-510	1/0	-	25.0	.307 [7.80]	.374 [9.50]	.365 [9.20]	.595 [15.11]	1.830 [46.50]
T12-9235-510	1/0	-	35.0	.354 [9.00]	.565 [14.35]	.365 [9.20]	.595 [15.11]	1.830 [46.50]
T12-9275-510	1/0	-	50.0	.421 [10.70]	.565 [14.35]	.365 [9.20]	.595 [15.11]	1.830 [46.50]
T12-9200-510	1/0	1/0	53.0	.453 [11.50]	.565 [14.35]	.365 [9.20]	.595 [15.11]	1.830 [46.50]

Dimensions in brackets [] are in millimeters.

Material: Copper
Finish: Silver



INSERTION, REMOVAL AND CRIMP TOOLS

F80 CRIMP CONTACTS - 5015 SERIES



ACCES-
SERIES

Contact		Wire Size (Awg)	Insertion Tool	Removal Tool Kit	Guide Pins	Manual Crimp Tool Frame		Pico Tools Model 300		Pico Tools Model 400-BHD		Pico Tools Model 500-D	
						MS3191A	M22520/1-01	Die Part No. (Note 2)	Locator Part No.	Die Part No. (Note 2)	Locator Part No.	Die Part No. (Note 2)	Locator Part No.
P/N	Size					Locator	Locator						
R12-3600.*	16 Pin	16-18	T117345	T118250	-	600091†	TH378*	314DA-16	C17P	414DA-16N	9633	514DA-16N	10628
T12-3600.*	16 Skt	16-18	T117345	T118250	T125001	600092M†	TH378*	314DA-16	C17S	414DA-16N	9642	514DA-16N	10641
R12-3608.*	16 Pin	24-26	T117346	T118250	-	-	-	-	-	414DA-22N	9633	-	-
T12-3608.*	16 Skt	24-26	T117346	T118250	T125001	-	-	-	-	414DA-22N	9642	-	-
R12-3612.*	16 Pin	20	T117345	T118250	-	-	-	-	-	414DA-16N	9633	514DA-16N	10628
T12-3612.*	16 Skt	20	T117345	T118250	T125001	-	-	-	-	414DA-16N	9642	514DA-16N	10641
R12-3613.*	16 Pin	20-26	T117346	T118250	-	-	TH378*	314DA-20	C17P	414DA-16N	9633	514DA-16N	10628
T12-3613.*	16 Skt	20-26	T117346	T118250	T125001	-	TH378*	314DA-20	C17S	414DA-16N	9642	514DA-16N	10641
R12-3615.*	16 Pin	18	T117345	T118250	-	-	TH378*	314DA-20	C17P	414DA-16N	9633	514DA-16N	10628
T12-3615.*	16 Skt	18	T117345	T118250	T125001	-	TH378*	314DA-20	C17S	414DA-16N	9642	514DA-16N	10641
R12-3620.*	16 Pin	14	T117345	T118250	-	-	TH378*	314DA-16	C17P	414DA-16N	9633	514DA-16N	10628
T12-3620.*	16 Skt	14	T117345	T118250	T125001	-	TH378*	314DA-16	C17S	414DA-16N	9642	514DA-16N	10641
R12-3626.*	16 Pin	12	T117082	T118250	-	-	TH378*	314DA-12	C17P	414DA-12N	9633	514DA-12N	10628
T12-3626.*	16 Skt	12	T117082	T118250	T125001	-	TH378*	314DA-12	C17S	414DA-12N	9642	514DA-12N	10641
R12-3632.*	16 Pin	28-32	T117345	T118250	-	-	-	-	-	414DA-16N048	9633	514DA-16N048	10628
T12-3632.*	16 Skt	28-32	T117345	T118250	T125001	-	-	-	-	414DA-16N048	9642	514DA-16N048	10641
R12-4900.*	16S Pin	16-18	T117345	T118250	-	600093†	TH379*	314DA-16	C16P	414DA-16N	9634	514DA-16N	10629
T12-4900.*	16S Skt	16-18	T117345	T118250	T125001	600245†	TH379*	314DA-16	C16S	414DA-16N	9634	514DA-16N	10629
R12-4912.*	16S Pin	20	T117345	T118250	-	-	TH379*	314DA-20	C16P	414DA-16N	9634	514DA-16N	10629
T12-4912.*	16S Skt	20	T117345	T118250	T125001	-	TH379*	314DA-20	C16S	414DA-16N	9634	514DA-16N	10629
R12-4913.*	16S Pin	20-26	T117346	T118250	-	-	-	-	-	414DA-20N	9634	514DA-20N	10629
T12-4913.*	16S Skt	20-26	T117346	T118250	T125001	-	-	-	-	414DA-20N	9634	514DA-20N	10629
R12-4915.*	16S Pin	18	T117345	T118250	-	-	-	-	-	414DA-16N	9634	514DA-16N	10629
T12-4915.*	16S Skt	18	T117345	T118250	T125001	-	-	-	-	414DA-16N	9634	514DA-16N	10629
R12-4920.*	16S Pin	14	T117345	T118250	-	-	TH379*	314DA-16	C16P	414DA-16N	9634	514DA-16N	10629
T12-4920.*	16S Skt	14	T117345	T118250	T125001	-	TH379*	314DA-16	C16S	414DA-16N	9634	514DA-16N	10629
R12-4926.*	16S Pin	12	T117082	T118250	-	-	-	-	-	414DA-18N	9634	514DA-18N	10629
T12-4926.*	16S Skt	12	T117082	T118250	T125001	-	-	-	-	414DA-18N	9634	514DA-18N	10629
R12-6400.*	12 Pin	12	T117082	T118250	-	600216†	TH378*	-	-	414DA-12N	9635	514DA-12N	10630
T12-6400.*	12 Skt	12	T117082	T118250	T125002	600216†	TH378*	-	-	414DA-12N	9635	514DA-12N	10630
R12-6408.*	12 Pin	8	T117082	T118250	-	-	-	-	-	414DA-6N155	9635	514DA-6N155	10630
T12-6408.*	12 Skt	8	T117082	T118250	T125002	-	-	-	-	414DA-6N155	9635	514DA-6N155	10630
R12-6412.*	12 Pin	20	T117345	T118250	-	-	-	-	-	414DA-16N	9635	514DA-16N	10630
T12-6412.*	12 Skt	20	T117345	T118250	T125002	-	-	-	-	414DA-16N	9635	514DA-16N	10630
R12-6415.*	12 Pin	18	T117082	T118250	-	600216†	TH378*	-	-	414DA-16N	9635	514DA-16N	10630
T12-6415.*	12 Skt	18	T117082	T118250	T125002	600216†	TH378*	-	-	414DA-16N	9635	514DA-16N	10630
R12-6420.*	12 Pin	14-18	T117082	T118250	-	-	-	-	-	414DA-10N096	9635	514DA-10N096	10630
T12-6420.*	12 Skt	14-18	T117082	T118250	T125002	-	-	-	-	414DA-10N096	9635	514DA-10N096	10630
R12-6422.*	12 Pin	2.5mm ²	T117082	T118250	-	620216†	-	-	-	414DA-8N142	9635	514DA-8N142	10630
T12-6422.*	12 Skt	2.5mm ²	T117082	T118250	T125002	620216†	-	-	-	414DA-8N142	9635	514DA-8N142	10630
R12-6430.*	12 Pin	4.0mm ²	T117082	T118250	-	7100659†	-	-	-	414DA-10N096	9635	514DA-10N096	10630
T12-6430.*	12 Skt	4.0mm ²	T117082	T118250	T125002	7100659†	-	-	-	414DA-10N	9635	514DA-10N	10630
R12-6431.*	12 Pin	4.0mm ²	T117082	M118250	-	-	-	-	-	414DA-10N	9635	514DA-10N	10630
T12-6431.*	12 Skt	4.0mm ²	T117082	M118250	T125002	-	-	-	-	414DA-18N	9635	514DA-18N	10630
R12-6438.*	12 Pin	6.0mm ²	T117082	M118250	-	-	-	-	-	414DA-10N	9635	514DA-10N	10630
T12-6438.*	12 Skt	6.0mm ²	T117082	M118250	T125002	-	-	-	-	414DA-10N	9635	514DA-10N	10630

Note 1. Consult sales department.

Note 2. Pico Tools Die part numbers ending in letter N are for an 8 indent crimp. For Hex crimp, change letter N to HEX.

* Indicates additional alpha-numerics are required to complete part number.

† Locators provided by Astro Tool.

CONTINUED ON NEXT PAGE

INSERTION, REMOVAL AND CRIMP TOOLS

F80 CRIMP CONTACTS – 5015 SERIES

CONTINUED FROM PREVIOUS PAGE

Contact		Wire Size (Awg)	Insertion Tool	Removal Tool Kit	Guide Pins	Manual Crimp Tool Frame		Pico Tools Model 300		Pico Tools Model 400-BHD		Pico Tools Model 500-D	
						MS3191A	M22520/1-01	Die Part No. (Note 2)	Locator Part No.	Die Part No. (Note 2)	Locator Part No.	Die Part No. (Note 2)	Locator Part No.
P/N	Size					Locator	Locator						
R12-7900-*	8 Pin	8	T117344	T118260	Not Required	-	-	-	-	414DA-6N155	9636	514DA-6N155	10631
T12-7900-*	8 Skt	8	T117344	T118260		-	-	-	-	414DA-6N155	9636	514DA-6N155	10631
R12-7915-*	8 Pin	18	T117082	T118260	Not Required	-	-	-	-	414DA-12N077	9636	514DA-12N077	10631
T12-7915-*	8 Skt	18	T117082	T118260		-	-	-	-	414DA-12N077	9636	514DA-12N077	10631
R12-7918-*	8 Pin	14-18	T117082	T118260	Not Required	-	-	-	-	414DA-18N	9636	514DA-18N	10631
T12-7918-*	8 Skt	14-18	T117082	T118260		-	-	-	-	414DA-18N	9636	514DA-18N	10631
R12-7926-*	8 Pin	12	T117082	T118260	Not Required	-	-	-	-	414DA-18N	9636	514DA-18N	10631
T12-7926-*	8 Skt	12	T117082	T118260		-	-	-	-	414DA-18N	9636	514DA-18N	10631
R12-7930-*	8 Pin	4.0mm ²	T117082	T118260	Not Required	-	-	-	-	414DA-10N096	9636	514DA-10N096	10631
T12-7930-*	8 Skt	4.0mm ²	T117082	T118260		-	-	-	-	414DA-10N096	9636	514DA-10N096	10631
R12-7950-*	8 Pin	10.0mm ²	T117344	T118260	Not Required	-	-	-	-	414DA-8N142	9636	514DA-8N142	10631
T12-7950-*	8 Skt	10.0mm ²	T117344	T118260		-	-	-	-	414DA-8N142	9636	514DA-8N142	10631
R12-7958-*	8 Pin	6	Note 1	T118260	Not Required	-	-	-	-	414DA-6N170	9636	514DA-6N170	10631
T12-7958-*	8 Skt	6	Note 1	T118260		-	-	-	-	414DA-6N170	9636	514DA-6N170	10631
R12-8500-*	4 Pin	4	T117347	T118270	Not Required	-	-	-	-	414DA-4N215	9637	514DA-4N215	10632
T12-8500-*	4 Skt	4	T117347	T118270		-	-	-	-	414DA-4N215	9637	514DA-4N215	10632
R12-8522-*	4 Pin	2.5mm ²	T117082	T118270	Not Required	-	-	-	-	414DA-18N	9637	514DA-18N	10632
T12-8522-*	4 Skt	2.5mm ²	T117082	T118270		-	-	-	-	414DA-18N	9637	514DA-18N	10632
R12-8525-*	4 Pin	25.0mm ²	T117347	T118270	Not Required	-	-	-	-	414DA-4N	9637	514DA-4N	10632
T12-8525-*	4 Skt	25.0mm ²	T117347	T118270		-	-	-	-	414DA-4N	9637	514DA-4N	10632
R12-8526-*	4 Pin	12	T117082	T118270	Not Required	-	-	-	-	414DA-10N	9637	514DA-10N	10632
T12-8526-*	4 Skt	12	T117082	T118270		-	-	-	-	414DA-10N	9637	514DA-10N	10632
R12-8530-*	4 Pin	4.0mm ²	T117082	T118270	Not Required	-	-	-	-	414DA-10N105	9637	514DA-10N105	10632
T12-8530-*	4 Skt	4.0mm ²	T117082	T118270		-	-	-	-	414DA-10N105	9637	514DA-10N105	10632
R12-8535-*	4 Pin	35.0mm ²	T117348	T118270	Not Required	-	-	-	-	414DA-0N315	9637	514DA-0N315	10632
T12-8535-*	4 Skt	35.0mm ²	T117348	T118270		-	-	-	-	414DA-0N315	9637	514DA-0N315	10632
R12-8550-*	4 Pin	10.0mm ²	T117344	T118270	Not Required	-	-	-	-	414DA-8N142	9637	514DA-8N142	10632
T12-8550-*	4 Skt	10.0mm ²	T117344	T118270		-	-	-	-	414DA-8N142	9637	514DA-8N142	10632
R12-8562-*	4 Pin	16.0mm ²	T117347	T118270	Not Required	-	-	-	-	414DA-4N	9637	514DA-4N	10632
T12-8562-*	4 Skt	16.0mm ²	T117347	T118270		-	-	-	-	414DA-4N	9637	514DA-4N	10632
R12-9200-*	1/0 Pin	1/0	T117348	T118280	Not Required	-	-	-	-	414DA-0N	9638	514DA-0N	10633
T12-9200-*	1/0 Skt	1/0	T117348	T118280		-	-	-	-	414DA-0N	9638	514DA-0N	10633
R12-9225-*	1/0 Pin	25.0mm ²	T117347	T118280	Not Required	-	-	-	-	414DA-4N	9638	514DA-4N	10633
T12-9225-*	1/0 Skt	25.0mm ²	T117347	T118280		-	-	-	-	414DA-4N	9638	514DA-4N	10633
R12-9235-*	1/0 Pin	35.0mm ²	T117348	T118280	Not Required	-	-	-	-	414DA-0N	9638	514DA-0N	10633
T12-9235-*	1/0 Skt	35.0mm ²	T117348	T118280		-	-	-	-	414DA-0N	9638	514DA-0N	10633
R12-9245-*	1/0 Pin	8	T117344	T118280	Not Required	-	-	-	-	414DA-6N155	9638	514DA-6N155	10633
T12-9245-*	1/0 Skt	8	T117344	T118280		-	-	-	-	414DA-6N155	9638	514DA-6N155	10633
R12-9246-*	1/0 Pin	4	Note 1	T118280	Not Required	-	-	-	-	414DA-4N	9638	514DA-4N	10633
T12-9246-*	1/0 Skt	4	Note 1	T118280		-	-	-	-	414DA-4N	9638	514DA-4N	10633
R12-9250-*	1/0 Pin	10.0mm ²	T117344	T118280	Not Required	-	-	-	-	414DA-4N	9638	514DA-4N	10633
T12-9250-*	1/0 Skt	10.0mm ²	T117344	T118280		-	-	-	-	414DA-4N	9638	514DA-4N	10633
R12-9275-*	1/0 Pin	50.0mm ²	T117348	T118280	Not Required	-	-	-	-	414DA-0N	9638	514DA-0N	10633
T12-9275-*	1/0 Skt	50.0mm ²	T117348	T118280		-	-	-	-	414DA-0N	9638	514DA-0N	10633

Note 1. Consult sales department.

Note 2. Pico Tools Die part numbers ending in letter N are for an 8 indented crimp. For Hex crimp, change letter N to HEX.

* Indicates additional alpha-numeric are required to complete part number.

† Locators provided by Astro Tool.

INSERTION AND REMOVAL TOOLS

F80 CRIMP CONTACTS



ALTERNATE INSERTION TOOLS

Contact Size	Spacecraft	Astro Tool	Bendix	ITT Cannon	Commital	Daniels	Veam
16	T117345	ATBX1-7345	11-7345	CIT-F80-16	M.117345	DAK168-16	11-7345
12	T117082	ATBX1-7082	11-7082	CIT-F80-12	M.117082	DAK168-12	46736
8	T117344	ATBX1-8220	11-8220	CIT-8	M117344	DAK159	A46151-8T50
4	T117347	ATC1377	11-7365-4*	CIT-4	M.117347	-	A46151-4T50
1/0	T117348	-	11-7365-5*	CIT-0	M.117348	-	A46151-0T50

* Requires 11-7364 Arbor Press

ALTERNATE REMOVAL TOOLS

Contact Size	Spacecraft	Astro Tool	Bendix	ITT Cannon	Commital	Daniels	Veam
16	T118250	ATBX2-8250	11-8250(Kit)	CET-F80-16	M.118250	DRK59	A43240
12	T118250	ATBX2-8250	11-8250(Kit)	CET-F80-12	M.118250	DRK59	A43240
8	T118260	ATBX2-8250	11-8250(Kit)	CET-8	M.118260	DRK59	A43240-8
4	T118270	ATC2234	P=11-7370-4* S=11-7674-2*	CET-4	M.118270	-	46150-4
1/0	T118280	-	P=11-7370-5* S=11-7674-3*	CET-0	M.118280	-	46150-0

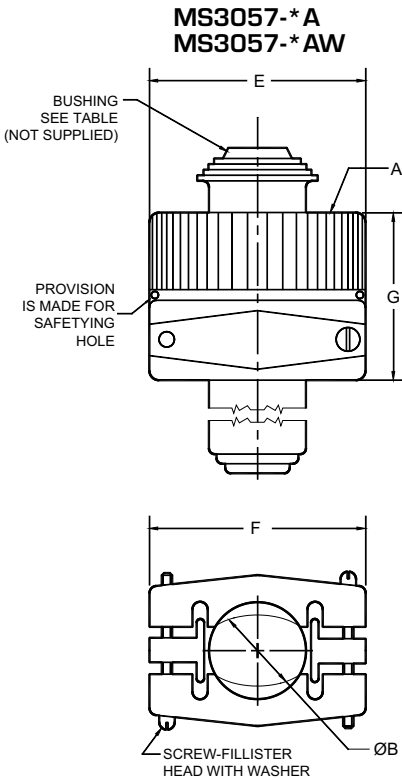
* Requires 11-7364 Arbor Press

ALTERNATE GUIDE PINS

Contact Size	Spacecraft	Bendix	ITT Cannon	Commital	Veam
16	T125001	Unknown	226-1017-000	M.125001	27977-16T50
12	T125002	Unknown	226-1018-000	M.125002	27977-16T50
8	T125003	Unknown	Not Required	M.125003	Not Required
4	Not Required	Not Required	Not Required	Not Required	Not Required
1/0	Not Required	Not Required	Not Required	Not Required	Not Required

CABLE CLAMPS

MS3057-*A, C



MS3057 - 20 A N

MIL SPEC ————
DASH NUMBER ———— See Dimension Table below.
TYPE ————
A Non-environmental.
AW Clamp is supplied with a rubber gasket and fiber washer.

FINISH
Blank Cadmium, olive drab 48 hr. salt spray
A Cadmium, olive drab over suitable underplate, 1000 hr. salt spray
N Electroless nickel

Material: Aluminum alloy

Note: Bushing can be "telescoped" to achieve a smaller sealing diameter.

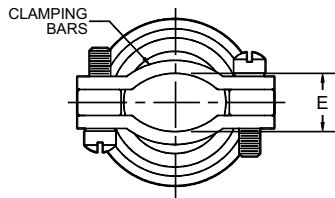
Dash No.	Connector Shell Size (Ref)	A Thread Class 2B	B Max	Øe ±.031 (±0.79)	F ±.031 (±0.79)	G ±.031 (±0.79)	Bushing (Ref) (A)
-3	8S & 10S	.500-28 UNEF	.250 (6.35)	.688 (17.48)	.812 (20.62)	.812 (20.62)	MS3420-3
-4	10SL, 12S & 12	.625-24 UNEF	.312 (7.92)	.812 (20.62)	.875 (22.22)	.875 (22.22)	MS3420-4
-6	14S & 14	.750-20 UNEF	.438 (11.13)	.969 (24.61)	1.062 (26.97)	.875 (22.22)	MS3420-6
-8	16S & 16	.875-20 UNEF	.562 (14.27)	1.094 (27.79)	1.156 (29.36)	.938 (23.83)	MS3420-8
-10	18	1.000-20 UNEF	.625 (15.87)	1.188 (30.18)	1.250 (31.75)	.938 (23.83)	MS3420-10
-12	20 & 22	1.188-20 UNEF	.750 (19.05)	1.375 (34.92)	1.469 (37.31)	.938 (23.83)	MS3420-12
-16	24 & 28	1.438-18 UNEF	.938 (23.83)	1.656 (42.06)	1.688 (42.88)	1.031 (26.19)	MS3420-16
-20	32	1.750-18 UNS	1.250 (31.75)	2.031 (51.59)	2.031 (51.59)	1.094 (27.79)	MS3420-20
-24	36	2.000-18 UNS	1.375 (34.92)	2.219 (56.36)	2.281 (57.94)	1.156 (29.36)	MS3420-24
-28	40	2.250-16 UN	1.625 (41.27)	2.500 (63.50)	2.688 (68.28)	1.688 (42.88)	MS3420-28
-32	44	2.500-16 UN	1.875 (47.62)	2.781 (70.64)	2.938 (74.63)	1.750 (44.45)	MS3420-32
-40	48	3.000-16 UN	2.375 (60.32)	3.281 (83.34)	3.500 (88.90)	1.750 (44.45)	MS3420-40

Dimensions are shown in Inches (mm).

(a) Telescoping bushings are not supplied with clamps.

MS3057-*C

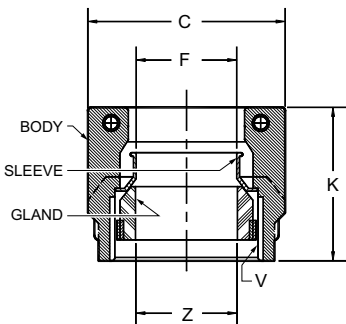
MS3057 - 20 C A



MIL SPEC ————
DASH NUMBER ———— See Dimension Table below.
TYPE ————
C Cable sealing.

FINISH
Blank Cadmium, olive drab 48 hr. salt spray
A Cadmium, olive drab over suitable underplate, 1000 hr. salt spray
N Electroless nickel

Material: Aluminum alloy



Dash No.	Conn. Shell Size (Ref)	C Max	E Max Closed	F +.020 -0.000 (+0.51 -0.00)	K Max	V Thread Class 2B	Øz Approx. (Gland)		Bushing (Ref) (A)
							Free	Closed	
-3	8S & 10S	.812 (20.62)	.217 (5.51)	.231 (5.87)	1.375 (34.92)	.500-28 UNEF	.219 (5.56)	.031 (0.79)	MS3420-3A
-4	10SL, 12S & 12	.937 (23.80)	.296 (7.52)	.315 (8.00)	1.375 (34.92)	.625-24 UNEF	.312 (7.92)	.094 (2.39)	MS3420-4A
-6	14S & 14	1.062 (26.97)	.390 (9.91)	.440 (11.18)	1.375 (34.92)	.750-20 UNEF	.438 (11.13)	.250 (6.35)	MS3420-6A
-8	16S & 16	1.188 (30.18)	.434 (11.02)	.515 (13.08)	1.375 (34.92)	.875-20 UNEF	.531 (13.49)	.312 (7.92)	MS3420-8A
-10	18	1.312 (33.32)		.614 (15.60)	1.437 (36.50)	1.000-20 UNEF	.625 (15.87)	.375 (9.52)	MS3420-10A
-12	20 & 22	1.562 (39.67)		.738 (18.75)	1.437 (36.50)	1.188-20 UNEF	.750 (19.05)	.500 (12.70)	MS3420-12A
-16	24 & 28	1.750 (44.45)	.596 (15.14)	.926 (23.52)	1.562 (39.67)	1.438-18 UNEF	.938 (23.83)	.594 (15.09)	MS3420-16A
-20	32	2.250 (57.15)		1.200 (30.48)	1.812 (46.02)	1.750-18 UNS	1.250 (31.75)	.938 (23.83)	MS3420-20A
-24	36	2.375 (60.32)	.858 (21.79)	1.363 (34.62)	1.812 (46.02)	2.000-18 UNS	1.375 (34.92)	.969 (24.61)	MS3420-24A
-28	40	2.625 (66.67)	1.107 (28.12)	1.611 (40.92)	2.062 (52.37)	2.250-16 UN	1.625 (41.27)	1.188 (30.18)	MS3420-28A
-32	44	2.812 (71.42)	1.421 (36.09)	1.865 (47.37)	2.188 (55.58)	2.500-16 UN	1.875 (47.62)	1.375 (34.92)	MS3420-32A

Dimensions are shown in Inches (mm).

(a) Telescoping bushings are not supplied with clamps.

RUBBER BUSHING

MS3420-*

MS3420 - 16 C

MIL-SPEC
Standard material &
color is black neoprene

DASH NUMBER
See Table I.

MATERIAL
Blank Neoprene in accordance with AMS 3208
C Silicone in accordance with AA-59588
K Fluorosilicone of fluorosilicone blend in accordance with MIL-DTL-25988

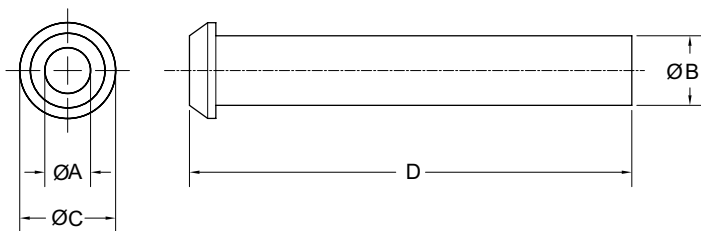


TABLE I

Dash No.	AØ	BØ	CØ	D	MS3420-* Supersedes	
					AN3420	MS39056
3	.150 (3.8)	.230 (5.8)	.395 (10.0)	2.906 (73.8)	-3	-1
	.110 (2.8)	.190 (4.8)	.363 (9.2)	2.844 (72.2)		
4	.240 (6.1)	.322 (8.2)	.521 (13.2)	2.781 (70.6)	-4	-2
	.200 (5.1)	.282 (7.2)	.489 (12.4)	2.719 (69.1)		
6	.332 (8.4)	.447 (11.4)	.635 (16.1)	2.656 (67.5)	-6	-3
	.292 (7.4)	.407 (10.3)	.603 (15.3)	2.594 (65.9)		
8	.464 (11.8)	.579 (14.7)	.760 (19.3)	2.531 (64.3)	-8	-4
	.410 (10.4)	.525 (13.3)	.728 (18.5)	2.469 (62.7)		
10	.589 (15.0)	.652 (16.6)	.905 (23.0)	2.406 (61.1)	-10	-5
	.535 (13.6)	.535 (13.6)	.873 (22.2)	2.344 (59.5)		
12	.652 (16.6)	.767 (19.5)	1.100 (27.9)	2.281 (57.9)	-12	-6
	.598 (15.2)	.713 (18.1)	1.068 (27.1)	2.219 (56.4)		
16	.777 (19.7)	.954 (24.2)	1.330 (33.8)	2.156 (54.8)	-16	-7
	.723 (18.4)	.900 (22.9)	1.298 (33.0)	2.094 (53.2)		
20	.976 (24.8)	1.279 (32.5)	1.614 (41.0)	2.031 (51.6)	-20	-8
	.898 (22.8)	1.201 (30.5)	1.582 (40.2)	1.969 (50.0)		
24	1.289 (32.7)	1.404 (35.7)	1.863 (47.3)	1.906 (48.4)	-24	-9
	1.211 (30.8)	1.326 (33.7)	1.831 (46.5)	1.844 (46.8)		
28	1.414 (35.9)	1.653 (42.0)	2.101 (53.4)	1.781 (45.2)	-28	-10
	1.336 (33.9)	1.575 (40.0)	2.069 (52.6)	1.719 (43.7)		
32	1.675 (42.5)	1.915 (48.6)	2.351 (59.7)	1.656 (42.1)	-32	-11
	1.573 (40.0)	1.813 (46.1)	2.319 (58.9)	1.594 (40.5)		
40	1.925 (48.9)	2.415 (61.3)	2.851 (72.4)	1.531 (38.9)	-40	-12
	1.823 (46.3)	2.313 (58.8)	2.819 (71.6)	1.469 (37.3)		

Dimensions are shown in Inches (mm).

TABLE II

Dash No.	ØA	ØB	MS3420-*A Supersedes	
			AN3420	MS39057
3	.150 (3.8)	.230 (5.8)	-3A	-1
	.110 (2.8)	.190 (4.8)		
4	.240 (6.1)	.322 (8.2)	-4A	-2
	.200 (5.1)	.282 (7.2)		
6	.332 (8.4)	.447 (11.4)	-6A	-3
	.292 (7.4)	.407 (10.3)		
8	.464 (11.8)	.579 (14.7)	-8A	-4
	.410 (10.4)	.525 (13.3)		
10	.464 (11.8)	.642 (16.3)	-10A	-5
	.410 (10.4)	.588 (14.9)		
12	.568 (14.4)	.767 (19.5)	-12A	-6
	.514 (13.1)	.713 (18.1)		
16	.777 (19.7)	.954 (24.2)	-16A	-7
	.723 (18.4)	.900 (22.9)		
18	.976 (24.8)	1.142 (29.0)	-18A	-8
	.898 (22.8)	1.088 (27.6)		
20	.976 (24.8)	1.279 (32.5)	-20A	-9
	.898 (22.8)	1.201 (30.5)		
24	1.164 (29.6)	1.404 (35.7)	-24A	-10
	1.086 (27.6)	1.326 (33.7)		
28	1.289 (32.7)	1.653 (42.0)	-28A	-11
	1.211 (30.8)	1.575 (40.0)		
32	1.676 (42.6)	1.916 (48.7)	-32A	-12
	1.574 (40.0)	1.814 (46.1)		
40	1.926 (48.9)	2.416 (61.4)	-40A	-13
	1.824 (46.3)	2.314 (58.8)		

Dimensions are shown in Inches (mm).

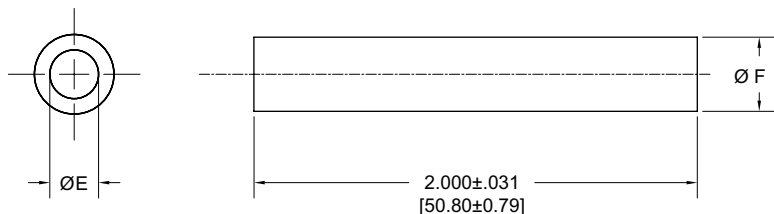
MS3420-*A

MS3420 - 6 A

MIL-SPEC
Standard material &
color is black neoprene

DASH NUMBER
See Table II.

MATERIAL
A Neoprene in accordance with AMS 3208
D Silicone in accordance with AA-59588
L Fluorosilicone of fluorosilicone blend in accordance with MIL-DTL-25988



DUST CAPS & DUMMY RECEPTACLES

THREADED COUPLING

CR25042, CR25043, CR3105

CR	25042 - 18	D	06	
CR	25043 - 18	D	06	A

Material:
Cap - Aluminum alloy
Chain - Stainless steel

CROWN PREFIX

TYPE

25402 Dust Cap for Plug.
25403 Dust Cap for Receptacle.
3105 Dummy Receptacle.

FINISH

Blank Cadmium olive drab.
A Black anodize.
N Electroless nickel.

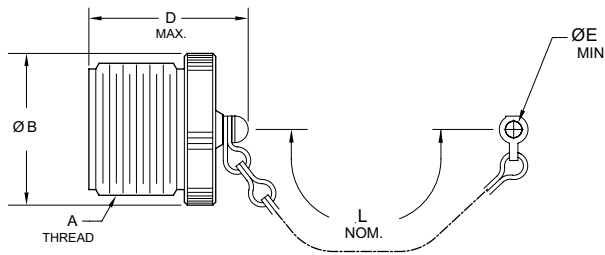
SHELL SIZE
See Tables below.

CHAIN LENGTH
1/2 inch increments:
e.g. 06 = 3 inches, 07 = 3.5 inches.
Only required if length is different from "L" below.

TERMINATION TYPE

Blank No termination.
B Beaded chain.
D Sash chain.
R Wire rope.

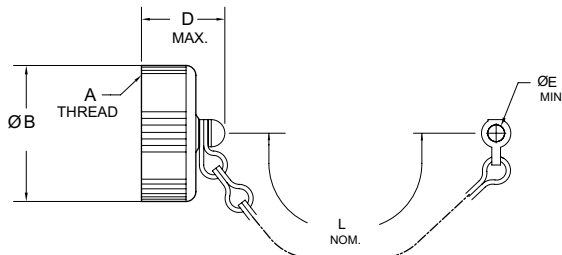
CR25042 Dust Cap for Plug



Dash No.	Shell Size	A Thread Class 2A	B Max.	D Max.	E* Min.	L Nominal
8	8S	.500-28 UNEF	.562 (14.27)	.969 (24.61)	.151 (3.84)	4.00 (101.60)
10	10S, 10SL	.625-24 UNEF	.687 (17.45)	.969 (24.61)	.151 (3.84)	4.00 (101.60)
12	12, 12S	.750-20 UNEF	.812 (20.62)	1.156 (29.36)	.151 (3.84)	4.50 (114.30)
14	14, 14S	.875-20 UNEF	.937 (23.80)	1.156 (29.36)	.151 (3.84)	4.50 (114.30)
16	16, 16S	1.000-20 NEF	1.062 (26.97)	1.156 (29.36)	.151 (3.84)	4.50 (114.30)
18	18	1.125-18 UNEF	1.187 (30.15)	1.156 (29.36)	.151 (3.84)	4.50 (114.30)
20	20	1.250-18 UNEF	1.312 (33.32)	1.156 (29.36)	.182 (4.62)	5.00 (127.00)
22	22	1.375-18 UNEF	1.437 (36.50)	1.156 (29.36)	.182 (4.62)	5.00 (127.00)
24	24	1.500-18 UNEF	1.562 (39.67)	1.156 (29.36)	.182 (4.62)	5.50 (139.70)
28	28	1.750-18 UNS	1.812 (46.02)	1.156 (29.36)	.182 (4.62)	7.75 (196.85)
32	32	2.000-18 UNS	2.062 (52.37)	1.156 (29.36)	.213 (5.41)	7.75 (196.85)
36	36	2.250-16 UN	2.312 (58.72)	1.156 (29.36)	.213 (5.41)	7.75 (196.85)
40	40	2.500-16 UN	2.562 (65.07)	1.156 (29.36)	.213 (5.41)	7.75 (196.85)

Dimensions are shown in Inches (mm).

CR25043 Dust Cap for Receptacle

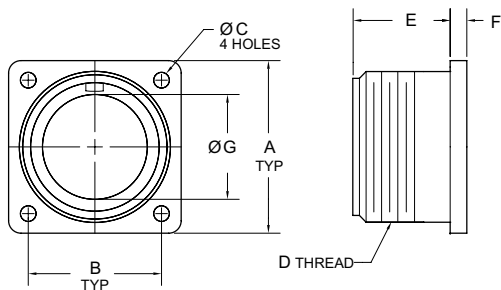


Dash No.	Shell Size	A Thread Class 2B	B Max.	D Max.	E* Min.	L Nominal
8	8S	.500-28 UNEF	.688 (17.48)	.750 (19.05)	.135 (3.43)	4.00 (101.60)
10	10S, 10SL	.625-24 UNEF	.815 (20.70)	.750 (19.05)	.135 (3.43)	4.00 (101.60)
12	12, 12S	.750-20 UNEF	1.000 (25.40)	.750 (19.05)	.135 (3.43)	4.50 (114.30)
14	14, 14S	.875-20 UNEF	1.125 (28.57)	.750 (19.05)	.135 (3.43)	4.50 (114.30)
16	16, 16S	1.000-20 NEF	1.188 (30.18)	.750 (19.05)	.135 (3.43)	4.50 (114.30)
18	18	1.125-18 UNEF	1.344 (34.14)	.750 (19.05)	.135 (3.43)	4.50 (114.30)
20	20	1.250-18 UNEF	1.469 (37.31)	.750 (19.05)	.135 (3.43)	5.00 (127.00)
22	22	1.375-18 UNEF	1.594 (40.49)	.750 (19.05)	.135 (3.43)	5.00 (127.00)
24	24	1.500-18 UNEF	1.719 (43.66)	.750 (19.05)	.166 (4.22)	5.50 (139.70)
28	28	1.750-18 UNS	1.969 (50.01)	.812 (20.62)	.166 (4.22)	7.75 (196.85)
32	32	2.000-18 UNS	2.219 (56.36)	.812 (20.62)	.182 (4.62)	7.75 (196.85)
36	36	2.250-16 UN	2.469 (62.71)	.812 (20.62)	.182 (4.62)	7.75 (196.85)
40	40	2.500-16 UN	2.719 (69.06)	.812 (20.62)	.182 (4.62)	7.75 (196.85)

Dimensions are shown in Inches (mm).

CR3105 Dummy Receptacle

Material: Aluminum alloy



Dash No. (Shell Size)	A ±.031 (±0.79)	B ±.005 (±0.25)	C +.010 -.005 (+0.25 -.013)	D Thread Class 2A	E +.031 -.000 (+0.79 -.000)	F
8S	.875 (22.22)	.594 (15.09)	.120 (3.05)	.500-28 UNEF	.562 (14.27)	.156 (3.96)
10S, 10SL	1.000 (25.40)	.719 (18.26)	.120 (3.05)	.625-24 UNEF	.562 (14.27)	.156 (3.96)
12S	1.094 (27.79)	.812 (20.62)	.120 (3.05)	.750-20 UNEF	.562 (14.27)	.156 (3.96)
12	1.094 (27.79)	.812 (20.62)	.120 (3.05)	.750-20 UNEF	.750 (19.05)	.156 (3.96)
14S	1.188 (30.18)	.906 (23.01)	.120 (3.05)	.875-20 UNEF	.562 (14.27)	.156 (3.96)
14	1.188 (30.18)	.906 (23.01)	.120 (3.05)	.875-20 UNEF	.750 (19.05)	.156 (3.96)
16S	1.281 (32.54)	.969 (24.61)	.120 (3.05)	1.000-20 UNEF	.562 (14.27)	.156 (3.96)
16	1.281 (32.54)	.969 (24.61)	.120 (3.05)	1.000-20 UNEF	.750 (19.05)	.156 (3.96)
18	1.375 (34.92)	1.062 (26.97)	.120 (3.05)	1.125-18 UNEF	.750 (19.05)	.203 (5.16)
20	1.500 (38.10)	1.156 (29.36)	.120 (3.05)	1.250-18 UNEF	.750 (19.05)	.203 (5.16)
22	1.625 (41.27)	1.250 (31.75)	.120 (3.05)	1.375-18 UNEF	.750 (19.05)	.203 (5.16)
24	1.750 (44.45)	1.375 (34.92)	.147 (3.73)	1.500-18 UNEF	.812 (20.62)	.203 (5.16)
28	2.000 (50.80)	1.562 (39.67)	.147 (3.73)	1.750-18 UNS	.812 (20.62)	.203 (5.16)
32	2.250 (57.15)	1.750 (44.45)	.173 (4.39)	2.000-16 UNS	.875 (22.22)	.359 (9.12)
36	2.500 (63.50)	1.938 (49.23)	.173 (4.39)	2.250-16 UN	.875 (22.22)	.359 (9.12)
40	2.750 (69.85)	2.188 (55.58)	.173 (4.39)	2.500-16 UN	.875 (22.22)	.359 (9.12)

Dimensions are shown in Inches (mm).

DUST CAPS & DUMMY RECEPTACLES

REVERSE BAYONET COUPLING

DCP19, DCR19 & DRP19



ACCES-
SERIES

CRB	25042 - 18	D	06	
CRB	25043 - 18	D	06	A

MATERIAL:
Cap - Aluminum alloy
Chain - Stainless steel

FINISH: Cadmium olive drab, 48hr. salt spray

CROWN PREFIX

TYPE
25402 Dust Cap for Plug.
25403 Dust Cap for Receptacle.
3105 Dummy Receptacle.

SHELL SIZE
See Tables below.

TERMINATION TYPE
Blank No termination.
D Sash chain.
R Wire rope.

FINISH

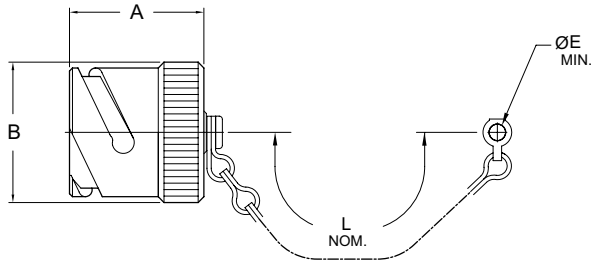
Blank Cadmium olive drab.
A Black anodize.
N Electroless nickel.

CHAIN LENGTH

1/2 inch increments:
e.g. 06 = 3 inches, 07 = 3.5 inches.
Only required if length is different from "L" below.

CRB25042

Dust Cap for Plug

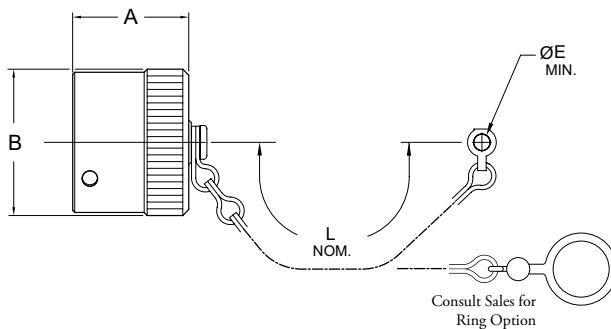


Shell Size	A Max.	B Max.	E +0.5 -0.25	L Approx.
10SL	1.142 (29.0)	.827 (21.0)	.173 (4.4)	4.252 (108)
12S	1.142 (29.0)	.930 (23.6)	.173 (4.4)	4.252 (108)
14S	1.142 (29.0)	1.083 (27.5)	.173 (4.4)	4.843 (123)
16S	1.142 (29.0)	1.181 (30.0)	.173 (4.4)	4.843 (123)
16	1.457 (37.0)	1.181 (30.0)	.173 (4.4)	4.843 (123)
18	1.457 (37.0)	1.319 (33.5)	.173 (4.4)	4.843 (123)
20	1.457 (37.0)	1.457 (37.0)	.189 (4.8)	5.433 (138)
22	1.457 (37.0)	1.575 (40.0)	.189 (4.8)	5.433 (138)
24	1.457 (37.0)	1.713 (43.5)	.189 (4.8)	5.433 (138)
28	1.457 (37.0)	1.949 (49.5)	.189 (4.8)	8.110 (206)
32	1.457 (37.0)	2.205 (56.0)	.220 (5.6)	8.110 (206)
36	1.457 (37.0)	2.461 (62.5)	.220 (5.6)	8.110 (206)
40	1.457 (37.0)	2.665 (67.7)	.220 (5.6)	8.110 (206)

1. Dimensions are shown in Inches (mm).

CRB25043

Dust Cap for Receptacle

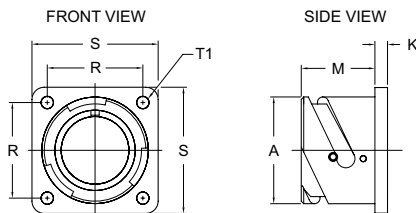


Shell Size	A Max.	B Max.	E +0.5 -0.25	L Approx.
10SL	.787 (20.0)	.925 (23.5)	.173 (4.4)	4.252 (108)
12S	.787 (20.0)	1.030 (26.2)	.173 (4.4)	4.252 (108)
14S	.787 (20.0)	1.201 (30.5)	.173 (4.4)	4.252 (108)
16S	.787 (20.0)	1.299 (33.0)	.173 (4.4)	4.252 (108)
16	.984 (25.0)	1.299 (33.0)	.173 (4.4)	4.843 (123)
18	.984 (25.0)	1.476 (37.5)	.173 (4.4)	4.843 (123)
20	.984 (25.0)	1.614 (41.0)	.173 (4.4)	4.843 (123)
22	.984 (25.0)	1.732 (44.0)	.173 (4.4)	4.843 (123)
24	.984 (25.0)	1.870 (47.5)	.173 (4.4)	4.843 (123)
28	.984 (25.0)	2.146 (54.5)	.220 (5.6)	8.110 (206)
32	.984 (25.0)	2.402 (61.0)	.220 (5.6)	8.110 (206)
36	.984 (25.0)	2.657 (67.5)	.220 (5.6)	8.110 (206)
40	.984 (25.0)	2.874 (73.0)	.220 (5.6)	8.110 (206)

1. Dimensions are shown in Inches (mm).

CRB3105

Dummy Receptacle



ENVIRONMENTAL WHEN USED WITH A FLANGE
SEALING GASKET SCP36675 OR SCP4050

Shell Size	Front View					Side View		
	R ±0.1	S ±0.3	T1 ±0.1 -0.0	T2 Thread		A +0.00 -0.15	K ±0.2	M ±0.4 -0.0
				Metric	UNC			
10SL	.717 (18.2)	1.000 (25.4)	.126 (3.2)	M4	8-32UNC	.717 (18.2)	.110 (2.8)	.559 (14.2)
12S	.809 (20.6)	1.125 (28.6)	.126 (3.2)	M4	8-32UNC	.836 (21.2)	.110 (2.8)	.559 (14.2)
14S	.906 (23.0)	1.181 (30.0)	.126 (3.2)	M4	8-32UNC	.969 (24.6)	.126 (3.2)	.559 (14.2)
16S	.969 (24.6)	1.280 (32.5)	.126 (3.2)	M4	8-32UNC	1.079 (27.4)	.126 (3.2)	.559 (14.2)
16	.969 (24.6)	1.280 (32.5)	.126 (3.2)	M4	8-32UNC	1.079 (27.4)	.126 (3.2)	.748 (19.0)
18	1.063 (27.0)	1.378 (35.0)	.126 (3.2)	M4	8-32UNC	1.213 (30.8)	.157 (4.0)	.748 (19.0)
20	1.157 (29.4)	1.496 (38.0)	.126 (3.2)	M4	8-32UNC	1.346 (34.2)	.157 (4.0)	.748 (19.0)
22	1.252 (31.8)	1.614 (41.0)	.126 (3.2)	M4	8-32UNC	1.472 (37.4)	.157 (4.0)	.748 (19.0)
24	1.374 (34.9)	1.752 (44.5)	.146 (3.7)	M4	10-24UNC	1.610 (40.9)	.157 (4.0)	.811 (20.6)
28	1.563 (39.7)	2.000 (50.8)	.146 (3.7)	M5	10-24UNC	1.839 (46.7)	.157 (4.0)	.811 (20.6)
32	1.752 (44.5)	2.244 (57.0)	.169 (4.3)	M5	1/4-20UNC	2.102 (53.4)	.157 (4.0)	.874 (22.2)
36	1.937 (49.2)	2.500 (63.5)	.169 (4.3)	M5	1/4-20UNC	2.346 (59.6)	.157 (4.0)	.874 (22.2)
40	2.185 (55.5)	2.748 (69.8)	.169 (4.3)	M5	1/4-20UNC	2.579 (65.5)	.157 (4.0)	.874 (22.2)

1. Dimensions are shown in Inches (mm).



PHONE: 702-802-2555
FAX: 702-802-2556

WEB: www.crownconnector.com
E-MAIL: sales@crownconnector.com

GASKETS FOR FLANGE MOUNT RECEPTACLES

CR36675, CR40450 & CR40460

For 5015 Threaded & Reverse Bayonet Coupling

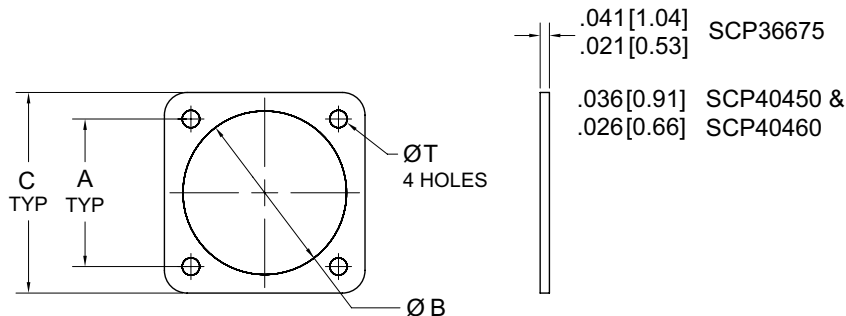
CR40450 - 20 H

PART NUMBER

SHELL SIZE

MATERIAL

- BLANK Neoprene 80 shore.
- F Silicone.
- FS Silicone with shielded wire mesh.
- H Halogen-free.
- S Shielded, wire mesh.



5015 Shell Types: CR3100*, CR3102*, CR3103*									
Reverse Bayonet Shell Types: 00*, 02*, 020* Front Panel Mount									
Reverse Bayonet Shell Types: 03*, 030* Rear Panel Mount									
			Part Number (-67°F to -278°F)	Part Number (0°F to +257°F) Note 2	A ±.010	B +.016 -.000	C +.016 -.000	ØT ±.010	Alternate Part #
8S	-	-	CR36675-8	CR40450-8	.594 [15.09]	.500 [12.70]	.875 [22.23]	.172 [4.37]	930-0890-XXX
10S, 10SL	10SL	-	CR36675-10	CR40450-10	.719 [18.26]	.626 [15.90]	1.000 [25.40]	.172 [4.37]	930-1090-XXX
-	-	10SL	-	CR40460-10	.719 [18.26]	.717 [18.21]	1.000 [25.40]	.172 [4.37]	930-1091-XXX
12, 12S	12S	-	CR36675-12	CR40450-12	.813 [20.65]	.750 [19.05]	1.094 [27.79]	.172 [4.37]	930-1290-XXX
-	-	12, 12S	-	CR40460-12	.813 [20.65]	.843 [21.40]	1.094 [27.79]	.172 [4.37]	930-1291-XXX
14, 14S	14S	-	CR36675-14	CR40450-14	.906 [23.01]	.875 [22.23]	1.188 [30.18]	.172 [4.37]	930-1490-XXX
-	-	14, 14S	-	CR40460-14	.906 [23.01]	.968 [24.60]	1.188 [30.18]	.172 [4.37]	930-1491-XXX
16, 16S	16S	-	CR36675-16	CR40450-16	.969 [24.60]	1.000 [25.40]	1.281 [32.54]	.172 [4.37]	930-1690-XXX
-	-	16, 16S	-	CR40460-16	.969 [24.60]	1.081 [27.40]	1.281 [32.54]	.172 [4.37]	930-1691-XXX
18	18	-	CR36675-18	CR40450-18	1.062 [27.00]	1.125 [28.58]	1.375 [34.93]	.203 [5.16]	930-1890-XXX
-	-	18	-	CR40460-18	1.062 [27.00]	1.213 [30.80]	1.375 [34.93]	.203 [5.16]	930-1891-XXX
20	20	-	CR36675-20	CR40450-20	1.156 [29.36]	1.250 [31.75]	1.500 [38.10]	.203 [5.16]	930-2090-XXX
-	-	20	-	CR40460-20	1.156 [29.36]	1.345 [34.20]	1.500 [38.10]	.203 [5.16]	930-2091-XXX
22	22	-	CR36675-22	CR40450-22	1.250 [31.75]	1.375 [34.93]	1.625 [41.28]	.203 [5.16]	930-2290-XXX
-	-	22	-	CR40460-22	1.250 [31.75]	1.472 [37.40]	1.625 [41.28]	.203 [5.16]	930-2291-XXX
24	24	-	CR36675-24	CR40450-24	1.375 [34.93]	1.500 [38.10]	1.750 [44.45]	.203 [5.16]	930-2490-XXX
-	-	24	-	CR40460-24	1.375 [34.93]	1.610 [40.90]	1.750 [44.45]	.203 [5.16]	930-2491-XXX
28	28	-	CR36675-28	CR40450-28	1.563 [39.70]	1.750 [44.45]	2.000 [50.80]	.203 [5.16]	930-2890-XXX
-	-	28	-	CR40460-28	1.563 [39.70]	1.840 [46.70]	2.000 [50.80]	.203 [5.16]	930-2891-XXX
32	32	-	CR36675-32	CR40450-32	1.750 [44.45]	2.000 [50.80]	2.250 [57.15]	.219 [5.56]	930-3290-XXX
-	-	32	-	CR40460-32	1.750 [44.45]	2.102 [53.40]	2.250 [57.15]	.219 [5.56]	930-3291-XXX
36	36	-	CR36675-36	CR40450-36	1.938 [49.23]	2.188 [55.58]	2.500 [63.50]	.219 [5.56]	930-3690-XXX
-	-	36	-	CR40460-36	1.938 [49.23]	2.345 [59.60]	2.500 [63.50]	.219 [5.56]	930-3691-XXX
40	40	-	CR36675-40	CR40450-40	2.188 [55.58]	2.438 [61.93]	2.750 [69.85]	.219 [5.56]	930-4090-XXX
-	-	40	-	CR40460-40	2.188 [55.58]	2.580 [65.50]	2.750 [69.85]	.219 [5.56]	930-4091-XXX
44	-	-	CR36675-44	CR40450-44	2.375 [60.33]	2.688 [68.28]	3.000 [76.20]	.219 [5.56]	930-4490-XXX
48	-	-	CR36675-48	CR40450-48	2.625 [66.68]	2.938 [74.63]	3.250 [82.55]	.219 [5.56]	930-4890-XXX

1. Dimensions in brackets [] are in millimeters.
 2. For shielding add "S" after the part number.
 3. For silicone material add "FS" after part number

INDEX



Part #	Description	Page
CC42222-*	Crown Ordinance Receptacle	22
CC42722-*	Crown Ordinance Plug	22
CC101083-*	Crown Ordinance Receptacle	22
CC229935-*	Crown Ordinance Plug	22
CC229936-*	Crown Ordinance Adapter	22
CR1000-GP*	Crown Ordinance Adapter	26
CR3100*	5015 Wall Mount Receptacle	3
CR3101*	5015 In Line Receptacle	5
CR3102*	5015 Box Mount Receptacle	6
CR3103P*	5015 Wall Mount Receptacle, Potting Seal	4
CR3104*	5015 Jam Nut	7
CR3106*	5015 Straight Plug	8
CR3106P*	5015 Straight Plug, Potting Seal	9
CR3108*	5015 90° Plug	10
CR25042-*	5015 Dust Cap for Plug	42
CR25043-*	5015 Dust Cap for Receptacle	42
CR36675-*	Flange Gasket	44
CR40450-*	Flange Gasket	44
CR40460-*	Flange Gasket	44
CRB25042-*	Rev. Bay. Dust Cap for Plug	43
CRB25043-*	Rev. Bay. Dust Cap for Receptacle	43
CRBS00*	Rev. Bay. Wall Mount Receptacle, Front Panel Mtg.	13
CRBS01*	Rev. Bay. In-line Receptacle, Front Panel Mtg.	18
CRBS02R*	Rev. Bay. Box Mount Receptacle, Front Panel Mtg.	17
CRBS030*	Rev. Bay. Wall Mount Receptacle, Rear Panel Mtg.	15
CRBS03R*	Rev. Bay. Box Mount Receptacle, Rear Panel Mtg.	17
CRBS06*	Rev. Bay. Straight Plug	20
CRBS07R*	Rev. Bay. Jam Nut Receptacle	19
CRBS08*	Rev. Bay. 90° Plug	21
MS3057-*A	Cable Clamp	40
MS3057-*C	Cable Clamp, Environmental	40
MS3420*	Rubber Bushing for Cable Clamp	41
R12-XX	Crimp Pin Contact (F80)	35
S1601-4	Sunbank Ordinance Adapter	26
SC-D-339543-*	Signal Corp. Adapter	22
SC-D-446146	Signal Corp. Plug	22
SM-C-632656	Signal Corp. Adapter	22
SM-C-632665	Ordinance Receptacle	22
SM-D-52125	Signal Corp. Plug	22
SM-D-632655	Signal Corp. Plug	22
T12-XX	Crimp Socket Contact (F80)	36
T105003	Guide Pin for Socket Contact Size 8	39
T117082	Contact Insertion Tool Size 12	37
T117344	Contact Insertion Tool Size 8	37
T117345	Contact Insertion Tool Size 16	37
T117347	Contact Insertion Tool Size 4	37
T117348	Contact Insertion Tool Size 1/0	37
T118250	Contact Removal Tool Size 16 & 12	37
T118260	Contact Removal Tool Size 8	37
T118270	Contact Removal Tool Size 4	37
T118280	Contact Removal Tool Size 1/0	37
T125001	Guide Pin for Socket contact Size 16	39
T125002	Guide Pin for Socket Contact Size 12	39

Part #	Description	Page
055-1000-202	Crown Ordinance Coupling Nut	22
10-35998-*	Amphenol Ordinance Adapter	26
10-101083-*	Amphenol Ordinance Receptacle	22
10-229935-*	Amphenol Ordinance Plug	22
10-229936-*	Amphenol Ordinance Adapter	26
10-242732-*	Amphenol Ordinance Cap	22
60-42222-*	Amphenol Ordinance Receptacle	22
60-42722-*	Amphenol Ordinance Plug	22
60-361159-*	Amphenol Ordinance Coupling Nut	22
107-1000-*	Crown Ordinance Cap	22
200-1002-*	Crown Ordinance Adapter	26
7261674	Ordinance Cap	25
7358500	Ordinance Grommet	22
7388318	Ordinance Receptacle	22
7388319	Ordinance Receptacle	22
7388320	Ordinance Receptacle	22
7388321	Ordinance Receptacle	22
7388322	Ordinance Receptacle	22
7388323	Ordinance Receptacle	22
7388324	Ordinance Receptacle	22
7388325	Ordinance Receptacle	22
7388326	Ordinance Receptacle	22
7388327	Ordinance Receptacle	22
7388328	Ordinance Receptacle	22
7388329	Ordinance Receptacle	22
7388345	Ordinance Receptacle	25
7388349	Ordinance Receptacle	22
7388352	Ordinance Gasket	24
7524564	Ordinance Grommet	22
7527633	Ordinance Grommet	22
7722241	Ordinance Adapter	26
7722242	Ordinance Adapter	26
7722243	Ordinance Adapter	26
7722325	Ordinance Coupling Nut Type II	24
7729621	Ordinance Adapter	26
7971516	Ordinance Receptacle	22
8701325	Ordinance Coupling Nut	22
8724237	Ordinance Plug	22
8724238	Ordinance Plug	22
8724239	Ordinance Plug	22
8724240	Ordinance Plug	22
8724241	Ordinance Plug	22
8724242	Ordinance Plug	22
8724243	Ordinance Plug	22
8724244	Ordinance Plug	22
8724245	Ordinance Plug	22
8724246	Ordinance Plug	22
8724247	Ordinance Plug	22
8724248	Ordinance Plug	22
8724249	Ordinance Plug	22
8724250	Ordinance Plug	22
10105928-*	Ordinance Cap	22



Crown Connector has been designing and producing the highest quality connectors since 1972. Our connectors are used in a variety of industrial markets, military ground support and heavy equipment. We manufacture or stock almost all of the necessary accessories, including; back shells, adapters, grommets, bushings, caps, clamps, gaskets, nuts and insertion and/or extraction tools.

We can take care of any number of modifications for your connectors, such as shells, special platings, paints, keyways, contacts, inserts, insert rotations and more. Depending upon your needs, we can manufacture custom connectors from your designs, or you can work with our engineering team and we will help design and tool custom connectors from scratch. In most cases, our basic stock items can be quickly and inexpensively modified to meet your needs.

- Crown Connector has an ongoing commitment to expanding our product line.
- We take pride in setting the industry standard with our excellent customer service.
- Our state-of-the-art machine shop and automated equipment are specifically designed to meet the needs of our customers.
- Our plating is far superior than industry requirements.
- Our products are manufactured for extra-long life and trouble free performance.
- We have over 25 distributors nationwide.

We invite you to check out our website and then call or e-mail us with any questions or comments you may have.



Phone: 702-802-2555
Fax: 702-802-2556

Web: www.crownconnector.com
E-mail: sales@crownconnector.com

3060 North Walnut Road, Unit 160
North Las Vegas, NV 89115

Cage Code: 51009