



Venieri
SPA

1.63D

ARTICULATED
WHEEL LOADER





VZPK KINEMATIK.

Venieri Z-Parallel Kinematic system is engineered to reach maximum breakout force, granting **fully parallel movements**.



360 3D VIEW.

Thanks to the VF 1.63D wide cabin you get a **full 360° view**, meaning a complete and safe control of the entire working area.



AUTOMOTIVE DISK BRAKE SYSTEM.

Despite her compact size we also have installed **Disc Brake system**, generally mounted on big Loaders only: we take care about You.



3 CABINS 3 OPTIONS JUST 1 MACHINE.

Feel free to configure your VF 1.63D with **3 different type of cabin**, following your needs and your working condition.



LED LAMP.

Last generation of led lamp grant **maximum visibility** with **minimum absorb.**



PERFECT STABILITY.

Rear oscillating axle fitted (like big loaders) with maintenance free supports.



REAR TOOL CARRIER.

Thanks to the rear hydraulic and electric connections you can easily add rear attachments.



53 HP OF PURE JAPANESE POWER

Kubota engine, 3 cylinder in line engine, turbocharged, common-rail Tier 4f, ables to deliver high torque at low rpm.



TYRE RANGE FOR ANY KIND OF APPLICATION.

Big range of tyres selected for any kind of terrain and application: industrial, agri, construction, etc.



100% VENIERI DESIGN.

As in all Venieri new machines, our Venieri Design Center follows the "family feelings" but introduces significant stylistic innovations.

1.63D

WHEEL LOADER

"VZPK" Z-PARALLEL KINEMATIK



DIESEL ENGINE

Engine: 3 cylinder in line engine, turbocharged, common-rail injection with electronic control, exhaust gas recirculation EGR, water cooled, dry filtration, diesel oxidation catalyst (DOC), diesel particulate filter (DPF). Emissioned according to CE 97/68 - Tier 4f.

Type	Kubota D1803-CR-T
Max power	39 kW - 53 HP
Rated rpm	2,700
Net power ISO/TR 14396	37 kW - 50 HP
Net power EEC/80/1269	35,3 kW - 48 HP
Max. torque	lbf ft 111
Bore	in 3.43
Stroke	in 4.03
Displacement	in ³ 111.43



ELECTRIC SYSTEM

Battery	12 Volt
Capacity EN 60095-1	80 Ah - 770 A
Alternator rating	60 A
Reverse warning	Standard
Wiring according to	IP 67 - DIN 40050



TRANSMISSION

Hydrostatic transmission with automatic power regulation and closed circuit with variable-displacement pump and engine. Two forward/reverse speeds with single-lever control.

STD	Forward	Backward
1 st gear km/h	0÷4	0÷4
2 nd gear km/h	0÷17	0÷17

OPT	Forward	Backward
1 st gear km/h	0÷5	0÷5
2 nd gear km/h	0÷25	0÷25*

* with optional tyres



AXLES

Two heavy duty axles with planetary final drives in each wheel. All wheel drive. Fixed rigid drive axle on front chassis section. Oscillating drive axle on rear chassis section up to a total angle of 24°. Transfer gearbox transferring movement directly to the rear and to the front via a transmission shaft. Self-locking limited slip differential on front axle (optional on rear axle).



BRAKES

Service: hydraulic disk brake on front axle, operating on all wheels. Parking brake: mechanical drum brake operating on service brake, manually actuated.



TYRES

Standard	12.0-16,5
Optional	10.0/75-15,3 • 31-15.50 -15 420/55 R17 • 11 LR16



STEERING

Servo assisted steering hydraulic LOAD SENSING system.

Total steering angle	90°
Inner tyres turning radius	ft in 4'7.83"
External tyres turning radius	ft in 9'3.18"
External bucket turning radius	ft in 10'6.73"



HYDRAULIC SYSTEM

Hydraulic gear pump with LOAD SENSING priority valve for steering circuit. 3-section modular control valve with main relief valve. Double-acting hydraulic cylinders. Hydraulic oil cooling radiator. Full-flow oil filter on the drain pipe. Single cloche-lever arm control with 4 position lifting system, with 3 position bucket system and button for auxiliary system.

Max flow	gpm 16.37
Loader relief valve pressure	psi 2,756
Steering relief valve pressure	psi 3,046
Lift cylinder	in 2.56x25
Bucket cylinder	in 3.34x12.6



SERVICE CAPACITIES

Engine	gal 2.11
Front axle	gal 1.53
Rear axle + gear box	gal 1.72
Hydraulic circuit	gal 13.21
Brake system	gal 0.29
Fuel	gal 11.1
Water cooling	gal 2.38



TECHNICAL FEATURES*

Standard bucket capacity	yd ³ 0.65
Standard bucket width	ft in 4'11.06"
Straight static tipping load	lb 5,071
Full turned 45° tipping load	lb 4,079
Lifting capacity at max. height	lb 4,784
Pin height	ft in 9'8.54"
Discharge height at 42°	ft in 7'6.16"
Discharge distance at 42°	in 25.98
Breakout force	lb 8,466

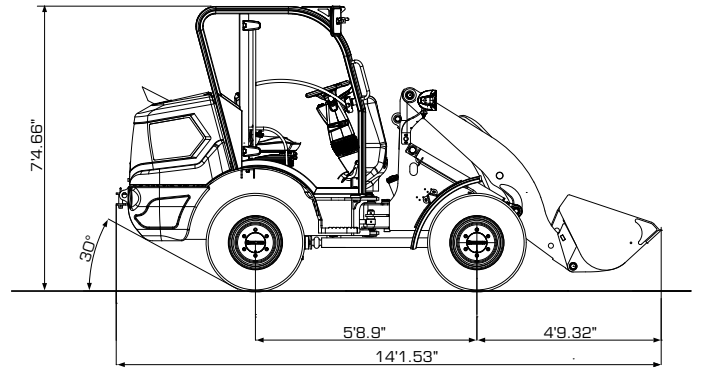
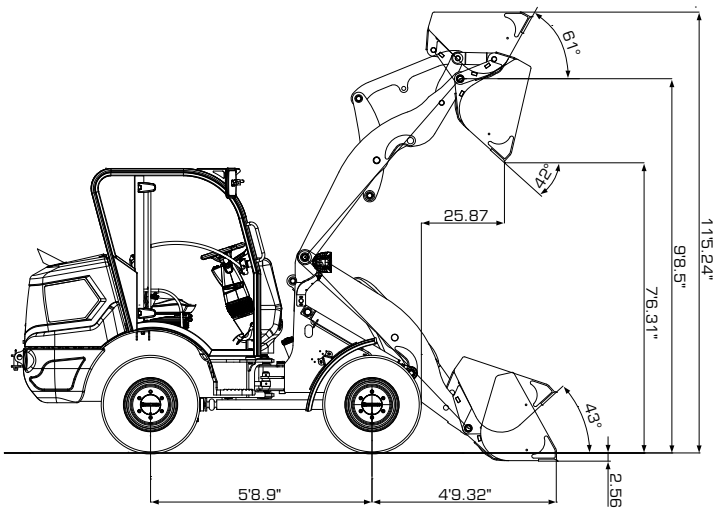
* All dimensions are referred to machine equipped with tires 10.0/75 - 15.3



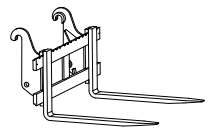
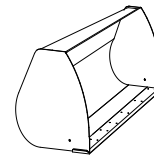
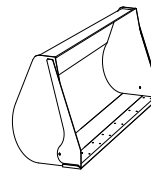
DIMENSIONS AND WEIGHTS*

Max length in transfer position	ft in 14'1.29"
Max width in transfer position	ft in 4'11.06"
Max height	ft in 7'4.58"
Wheel track width	ft in 3'7.31"
Overall tyre width	ft in 4'5.74"
Wheel base	ft in 5'8.9"
Ground clearance	in 13.58
Standard operating weight	lb 6,834
Max permissible weight	lb 7,937

* All dimensions are referred to machine equipped with tires 10.0/75 - 15.3



* All dimensions are referred to machine equipped with tires 10.0/75 - 15.3



PERFORMANCE DATA

UNIVERSAL BUCKET

OVERSIZE BUCKET

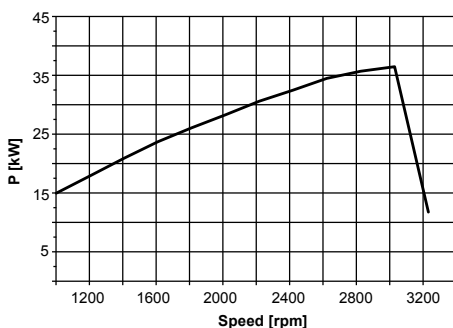
FORKS

Full load bucket capacity (SAE)	yd ³	0.65	1.05	/
Density	ton/yd ³	1.35	0.75	/
Bucket width	ft in	4'11.06"	5'6.93"	/
Bucket weight	lb	397	397	/
Overall operating height, fully raised	ft in	11'5.4"	11'10.13"	/
Forks length (standard)	ft in			3'3.37"
Forks length (optional)	ft in			3'11.24"
Hinge pin height	ft in	9'8.54"	9'8.54"	/
Dump angle	°	42°	42°	/
Dump height	ft in	7'6.35"	7'2.61"	/
Dump distance	in	25.98	29.17	/
Bucket static tipping load, straight	lb	5,071	4,740	/
Bucket static tipping load, full turn (45°)	lb	4,079	3,792	/
Forks static tipping load, full turn (45°)	lb			3,042
Payload EN 474-3 (80%) [●]	lb			2,434
Payload EN 474-3 (60%) [●]	lb			1,825
Breakout force	lb	8,466	7,163	/
Total displacement length	ft in	14'1.29"	14'4.36"	/
External bucket turning radius	ft in	10'6.77"	10'11.69"	/
Standard operating weight (Canopy version)	lb	6,834	7,011	7,011

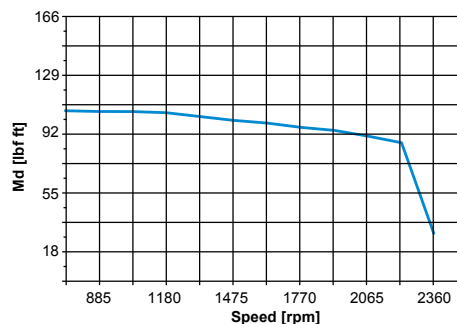
[●] Loading center 19.69"

* All dimensions are referred to machine equipped with tires 10.0/75 - 15.3

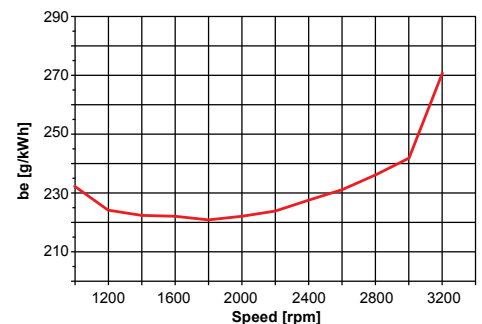
POWER



TORQUE



FUEL CONSUMPTION





VENIERI Z PARALLEL KINEMATIC SYSTEM: 100% PARALLEL.

The arm of VF 1,63D is equipped with a VZPK kinematic system that grants high breakout force while keeping fully parallel movements. The low bucket cylinder grants an excellent front visibility also in the middle of the arm, where normally it's not easy to see.



VENIERI REAR HYDRAULIC LINE.

In order to grant maximum versatility, VF 1.63D can be equipped with rear Hydraulic line to support rear attachments.



CABIN

CLOSE AND HEATED CABIN, WITH AIRCONDITION IN OPTION



CANOPY

CANOPY WITH RETROFITTABLE GLASS AND DOORS.



ROLLBAR ROOF

FOLDABLE ROLLBAR



BASIC MACHINE



Battery main switch	•
Tool box	•
Fuel preheating (cold climates)	0
Plugs with keys for fuel and hydraulic tanks	•
Proportional self lock front differential	•
Proportional self lock rear differential	0
Differential lock 100 % engageable in front axle	0
Trailer coupling	•
Warning beacon	•
Soundproofing	•
Spare parts catalogue	•
User manual	•
Type-approval for road traffic	•
Safety clamp for bucket and lifting cylinders	•
Autolevelling ground level for bucket	•
Speed reduction kit	0
"Venieri GLOBAL" system	-
Double-speed hydraulic fan	-
Reversible fan (for radiator cleaning)	-
Hydraulic negative parking brake	-
Service brake on front axle	•
Inch pedal integrated in brake pedal	0
Greasing points grouped on the frame	0
Automatic centralized greasing system	0
Ride control	0
Engine preheating system	0
Environmentally-friendly hydraulic oil	0
Hydraulic oil ISO 46 (cold climates)	0
Cyclone dust separator	0

CABIN EQUIPMENT



Foldable Roll-Bar homologated ROPS/FOPS I	0
4 post Canopy homologated ROPS/FOPS I	•
Closed cabin homologated ROPS/FOPS I, pressurized and soundproofed	0
Front and rear windscreen wiper with washer (only for closed cabin)	•
LED work lights (2 front + 2 rear)	•
Document compartment	•
Seat with mechanical suspension	•
Seat with pneumatic suspension	0
Seat with pneumatic suspension and heating	0
Seat armrests	-
Buzzer	•
Cabin carpet	•
Clothes hangers	0
Radio preparation (only for closed cabin)	•
Supplementary socket 12V	•
Manual Air Conditioning	0
„Climatronic Venieri" system	0
Ceiling lamp (only for closed cabin)	•
Sun visor	-
Rear view mirrors	•
Heatable rear view mirrors	0
First-aid kit	0
Fire extinguisher 1b 4.41	0
Seat belt	•
Instrumentation and dashboard with LCD display	•
Safety glass breaker	0

SPECIAL EQUIPMENT



Hydraulic quick coupler	0
Cement mixing bucket	0
Multipurpose bucket (4 in 1)	0
Lifting forks	0
Agricultural fork with hydraulic grapple width	0
Grab for wrapped bales	0
Bucket with hydraulic grapple	0
Front cutting head	0
Asphalt and cement planer	0
Snow blower	0
Snow blade and "V" type snow blade	0
Angle-tilt dozer blade	0
Hand operating hammer	0
Polishing brush	0
Trencher	0
Auger	0
High tip bucket	0
high flow kit	0
Unpressurized return pipe	0
Double auxiliary line	0
Rear hydraulic line (single effect)	0

STANDARD EQUIPMENTS*



**ANGLE ROLL
SWEEPER**



SWEEPER



MIXING BUCKET



4 IN 1 BUCKET



**ANGLE DOZER
BLADE**



SNOW BLADE



**GRAB FOR
WRAPPED BALES**



GRAPPLE BUCKET



GRAPPLE FORK



GRASS CUTTER



**FRONT
CUTTING HEAD**



ROUND BALE FORK



**LASER ANGLE
DOZER BLADE**



AUGER



SNOW BLOWER



PALLET FORK



Via Piratello, 106 - 48022 Lugo (RA) - ITALY
Tel. +39 0545 904411 Fax +39 0545 30389
e-mail: info@vf-venieri.com | www.vf-venieri.com

Spare Parts

Tel. +39 0545 904429 Fax +39 0545 24555
e-mail: ricambi@vf-venieri.com

The illustrations on the present folder do not necessarily show the product standard version. Data and dimensions described in this folder are not binding. Venieri reserves the right of carrying out possible changes at any time and without previous notice because of its policy of steady development and improvement of the products.