



Series 350HR

Glass Hand Rail

Product Description

The **Sun Metals Series 350 Handrail** offers designers and building owners a Heavy Commercial and Architectural Grade Handrail that meet the most demanding project requirements. Our Handrails have been tested and approved for the most stringent standards in the country. They provide exceptional design pressures to meet the toughest requirements. SMS 350HR can accommodate various glass types and thicknesses depending on the desired performance of the systems.

As with all **Sun Metals** products, the combination of performance and aesthetics at a competitive price makes these systems the best value on the market.

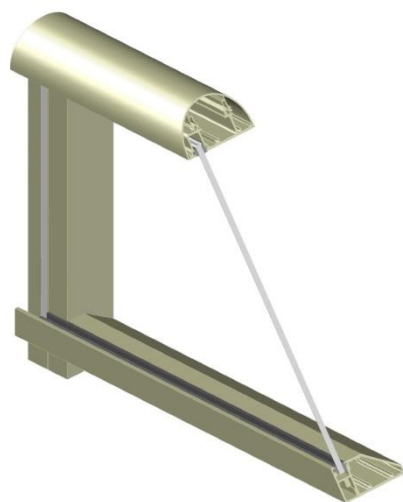
Product Features

- Commercial Grade
- Screw Spline Construction
- Exterior glazing
- Front & Center Glazing
- Unitized construction
- Laminated and Monolithic glazing
- Stainless Steel assembly screws
- Standard colors: white, silver, bronze
- Custom colors available

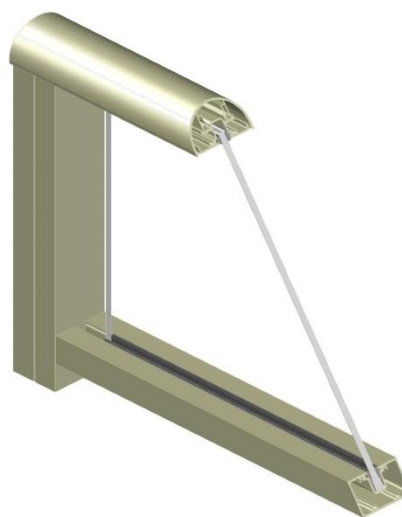


Series 350hr

Glass Hand Rail



Outside Glazed



Center Glazed

Performance Data:

Design Load..... +/-100 PSF