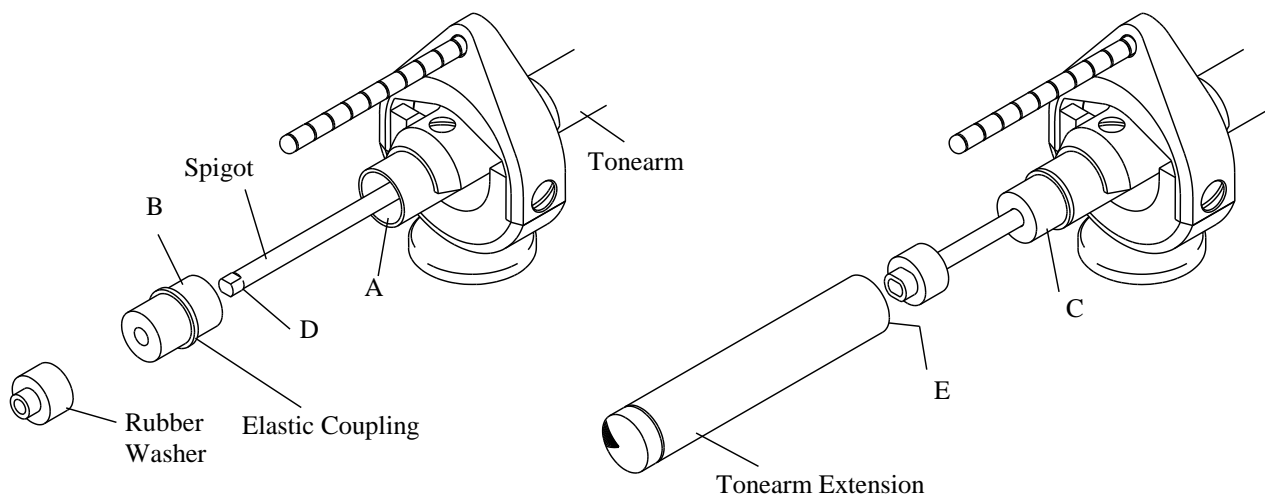


INSTRUCTIONS FOR REPLACING THE ELASTIC COUPLING OF THE SERIES II MODEL 3009 & 3012 PRECISION PICK-UP ARMS



1. Remove the balance weight and pull off the tonearm extension.
2. Completely remove all the remaining rubber left in the tonearm at 'A', on the spigot at 'D' and in the tonearm extension at 'E'. Use a narrow blade to assist removal and when finished thoroughly degrease these areas with petrol based lighter fuel or methylated spirit.
3. Degrease the new elastic coupling and rubber washer by immersing them briefly in benzene or carbontetrachloride and allowing them to dry.
4. The elastic coupling is shorter at one end to the central flange and slightly larger in diameter and it is this end that must be cemented into the tonearm at 'A'. Any type of adhesive suitable for bonding rubber to metal may be used, but we recommend the use of a Cyanoacrylate adhesive such as manufactured under the trade names of 'Loctite' and 'Avdel'.
Apply the adhesive to the outside diameter only of the elastic coupling at 'B'. Pass the coupling over the spigot and into the end of the tonearm at 'A' up to the coupling flange and allow to set.
5. Apply adhesive to the end of the spigot at 'D'. Slid the rubber washer onto the spigot until the end of the small diameter on the rubber washer is aligned with the end of the spigot.
6. Apply adhesive to the elastic coupling at 'C'. Pass the tonearm extension over the rubber washer and up to the flange on the coupling and allow to set.
7. Re-assemble the balance weight.