

MAKING STATEMENTS IN WOOD

ACOUSTICAL SYSTEMS
FOR WALLS AND CEILINGS



WOODTRENDS LINEAR

WOODTRENDS
BY SOUND SEAL



WOODTRENDS LINEAR is a traditional wall and ceiling product that combines the warmth of wood with excellent acoustical values. The product consists of a 17 mm (11/16”) thick MDF core material with a face veneer and a rear balancing veneer. The plank edges receive the same real wood edge banding. The applied finish is two coats of UV-polyacrylate satin lacquer.

OPTIONS:

- All widths available from 2-1/2” to 12” and greater
- All lengths available up to 9’-1 1/2”
- A full 3/4” thickness is available
- Reveal width may vary from a hairline to 30 mm (1-3/16”) — see chart
- Acoustical textile at reveal provides “open area” for acoustical performance
- Perforations in planks increase the “open area” for a higher NRC acoustical value
- Acoustical insulation board can be added behind the plank for greater sound absorption
- Class A fire rated, Class C non-fire rated, No Added Urea Formaldehyde, CARB2
- Plastic laminate, painted or matte lacquer finishes available
- Exterior installations allowed at suitable weather protected areas (underside of canopies or similar)

ACOUSTIC PERFORMANCE:

SOUND ABSORPTION DATA							
Frequencies (Hz)							
Perforation % of Openings	125	250	500	1000	2000	4000	NRC
7.2% open	0.29	0.58	0.55	0.51	0.48	0.53	0.55
18% open	0.13	0.34	1.15	1.08	0.55	0.53	0.80

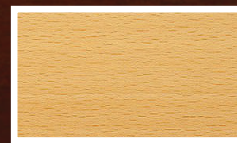
* Acoustics is determined based upon % of opening in face of wood. Consult factory for availability.

LEED & SUSTAINABILITY:

- FSC Certified and Chain-of-Custody manufacturer
- Opportunity for Credits: MR 4.1, MR 4.2, MR 7, EQ 4.4

FINISHES:

24 standard veneers are readily available or any type of specialty/engineered veneer offered in the global marketplace can be obtained to allow an architect or interior designer limitless choices.



BEECH



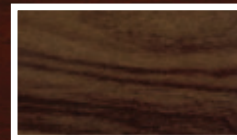
OAK



CHERRY



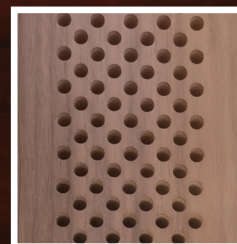
ASH



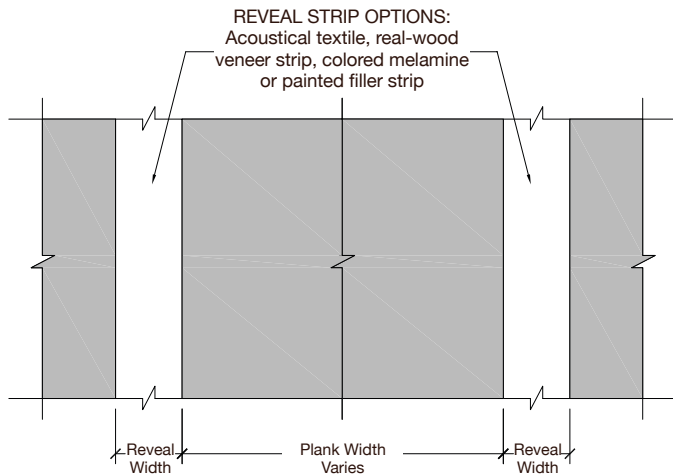
WALNUT

PERFORATION:

Linear planks can be perforated with drilled holes, oval slots, MicroPerf and NanoPerf options for greater acoustical values.



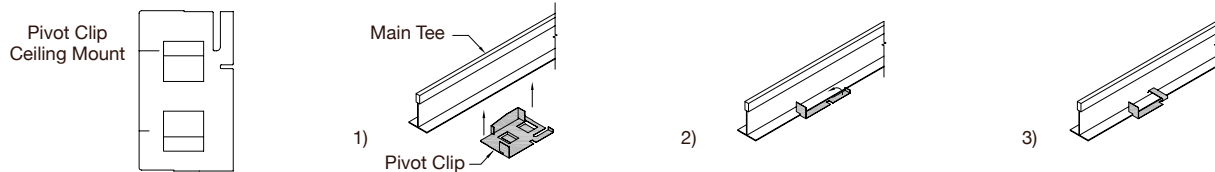
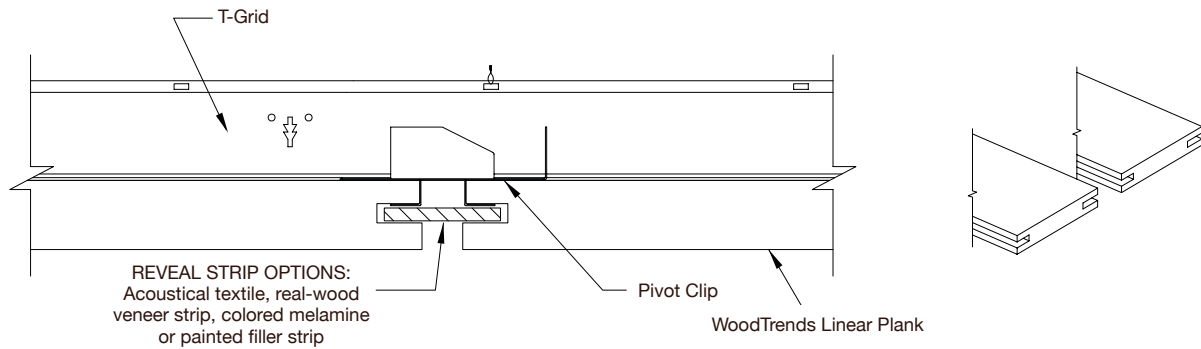
PLANK & REVEAL SIZE OPTIONS:



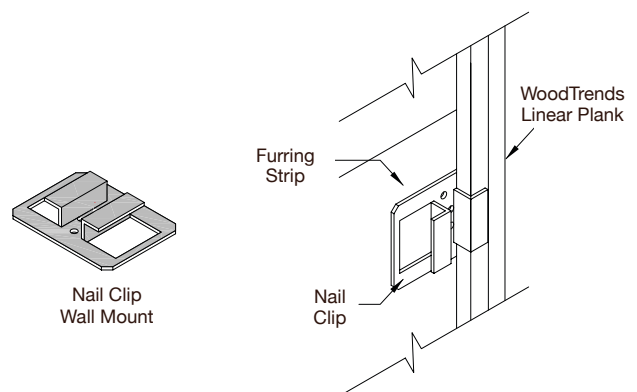
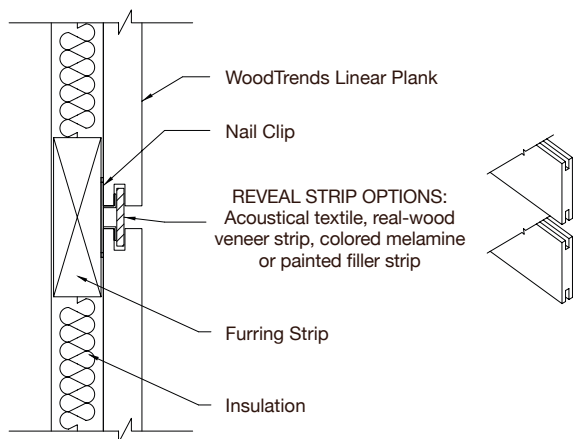
WOODTRENDS LINEAR REVEAL CLIP SIZES (WIDTH):

- 0 mm (Hairline)
- 5 mm (3/16")
- 10 mm (3/8")
- 15 mm (9/16")
- 20 mm (3/4")
- 30 mm (1-3/16")
- Custom options available

CEILING MOUNT DETAILS:



WALL MOUNT DETAILS:





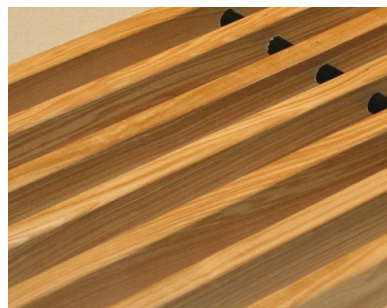
ACOUSTICAL SYSTEMS FOR WALLS & CEILING



TOPLINE



ELITE



WOODGRILLE™



SELECT



CONTROLLING NOISE IN EVERY ENVIRONMENT

50 H.P. ALMGREN DRIVE | AGAWAM, MA 01001

PHONE: 413.789.1770 | TOLL FREE: 1.800.569.1294 | FAX: 413.789.4444

EMAIL: WOODTRENDS@SOUNDSEAL.COM

WWW.WOODTRENDS.COM | WWW.SOUNDSEAL.COM