



**MANN FLOW CONTROLS, INC**

# **POWER VALVES**

**TOP ENTRY**

**TRUNNION MOUNTED**

**METAL SEATED**

**PROVEN DESIGN**

**IN-LINE SERVICEABLE**

**AFTER FIRST  
INSTALLATION:**

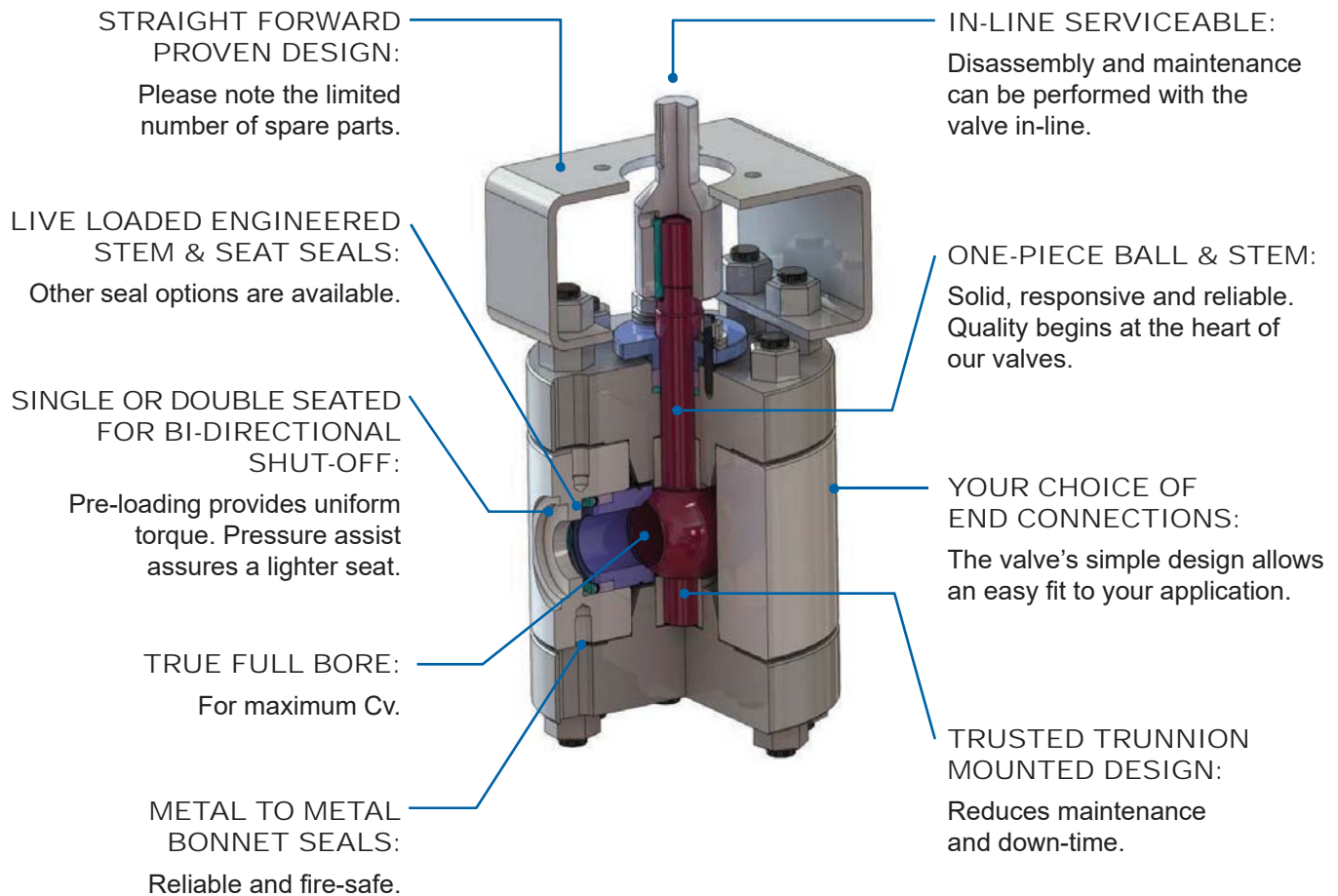
- **NO CUTTING**
- **NO WELD PREP**
- **NO WELDING**
- **NO STRESS RELIEF**
- **NO X-RAY**

**REDUCE COST AND  
DOWNTIME**

**SINGLE OR DOUBLE  
SEATED**



## STANDARD FEATURES



## PRODUCT DETAILS

### APPLICATIONS:

Steam Turbine Drains, Condensate and Steam - Block & Control, Blowdown, Attemperating, Feedwater Isolation, Feedwater Bypass, Noise Control, Steam Drum Vent, Soot Blower, Superheated Steam, Boiler Recirculation

**SIZES:** 1" through 12" (Larger sizes available upon request) FULL or REDUCED PORT

**PRESSURE CLASSES:** ANSI B16.34, ANSI 1500-2500

**TEMPERATURE:** (-)20 Deg. F to (+)1050 Deg. F

**END CONNECTIONS:** SW / Threaded / RF / RTJ / Weld End / Special / ANSI B16.5 / ANSI B16.25

**LEAKAGE CLASSES:** Class V & VI (Metal-Seated)

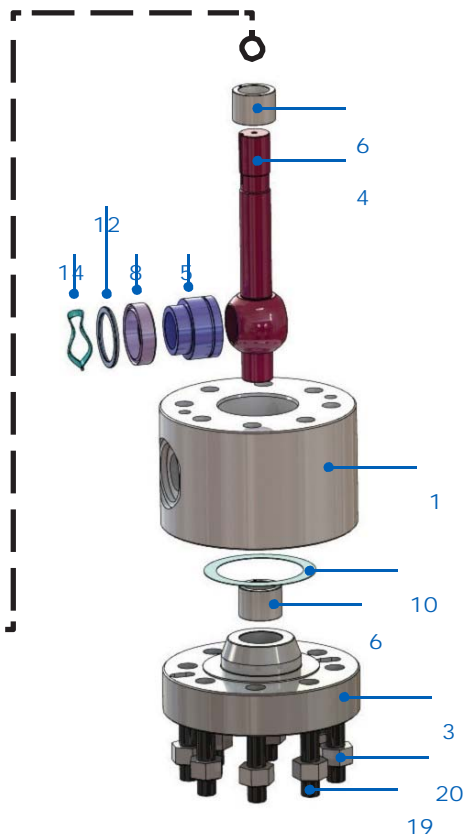
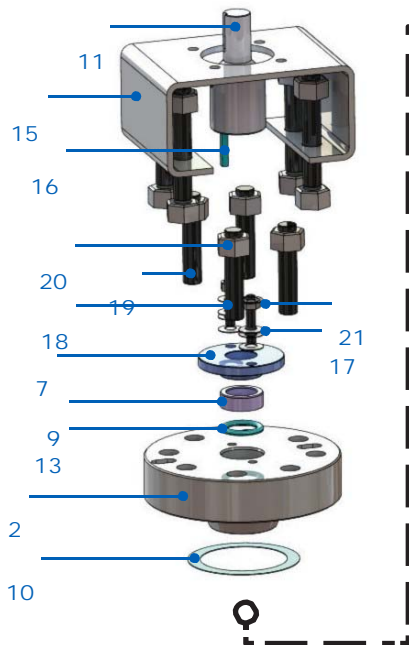
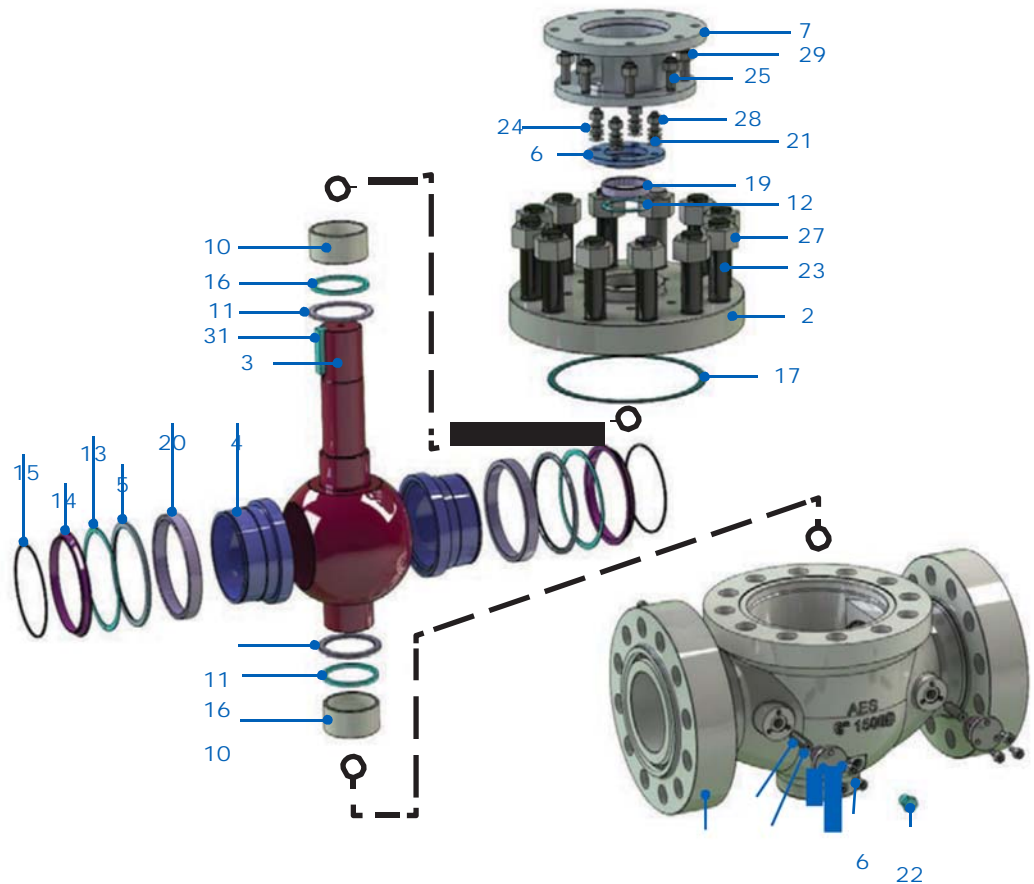
**ACTUATION:** Manual, Pneumatic, Hydraulic, Electric

*Ask your sales rep for a list of available options and materials.*

# PART DESCRIPTIONS

- 1 Body (1)
- 2 Bonnet (1)
- 3 Ball Stem (1)
- 4 Seat (2)
- 5 Seat Pusher Ring (2)
- 6 Packing Gland (1)
- 7 Bracket (1)
- 8 Load Pin (4)
- 9 Pin Cap (4)
- 10 Bearing (2)
- 11 Thrust Bearing (2)
- 12 Stem Load Ring (1)
- 13 Wavespring (2)
- 14 Load Spring (2)
- 15 Graphoil Rope (2)

- 16 Graphoil Rope (2)
- 17 Selco Seal (1)
- 18 Selco Seal (4)
- 19 Vee Seal Hi-Temp (1)
- 20 Vee Seal Hi-Temp (2)
- 21 Bellville Washer (16)
- 22 Pipe Plug (1)
- 23 Stud (12)
- 24 Stud (4)
- 25 Stud (8)
- 26 Stud (12)
- 27 Heavy Hex Nut (12)
- 28 Heavy Hex Nut (4)
- 29 Heavy Hex Nut (8)
- 30 Heavy Hex Nut (12)
- 31 Key (1)



- 1 Body (1)
- 2 Upper Bonnet (1)
- 3 Lower Bonnet (1)
- 4 Ball Stem (1)
- 5 Seat (1)
- 6 Bearing (2)
- 7 Packing Gland (1)
- 8 Vee Seal Hi-Temp (1)
- 9 Vee Seal Hi-Temp (1)
- 10 Metal Gasket (2)
- 11 Coupling (1)
- 12 Seat Load Ring (1)
- 13 Stem Load Ring (1)
- 14 Wavespring (1)
- 15 Bracket (1)
- 16 Key (1)
- 17 Bellville Washer (8)
- 18 Stud (2)
- 19 Stud (16)
- 20 Heavy Hex Nut (20)
- 21 Heavy Hex Nut (2)



## About Mann Flow Controls, Inc

Mann Flow Controls, Inc (MFC) is a worldwide leader in valve design and manufacturing. Our high performance valves are designed to meet your severe service needs. We manufacture API 6A and API 6D valves and we service over 35 countries around the globe.

Contact our sales team today.

5850 N Sam Houston Pkwy East, #115A  
Houston, TX 77032, USA  
T: +1 (713) 589-3373  
E: [info@www.mannflowcontrols.com](mailto:info@www.mannflowcontrols.com)  
W. [www.mannflowcontrols.com](http://www.mannflowcontrols.com)