



# Fiber Optic Support Equipment (CSE/PSE)



## Aircraft Wiring Support Equipment Commodity (AWSEC)

CLEARED

For Open Publication

Jan 15, 2026

Department of Defense

OFFICE OF PREPUBLICATION AND SECURITY REVIEW

SLIDES ONLY

NO SCRIPT PROVIDED

Presented By:  
**Jignesh Patel**  
**AWSEC Engineer**  
**732-323-2142**

**January 2026**



NAVAIR Public Release 2026-0057 Distribution Statement A - "Approved for public release; distribution is unlimited"



# Fiber Optic Inspection System (FOIS) Updated



P/N: 4007AS100-2 NIIN: 01-671-2611





# FOIS Design Update



- Go-no go software
- Critical zone weighting
- Incorporate 505 criteria
- Save images

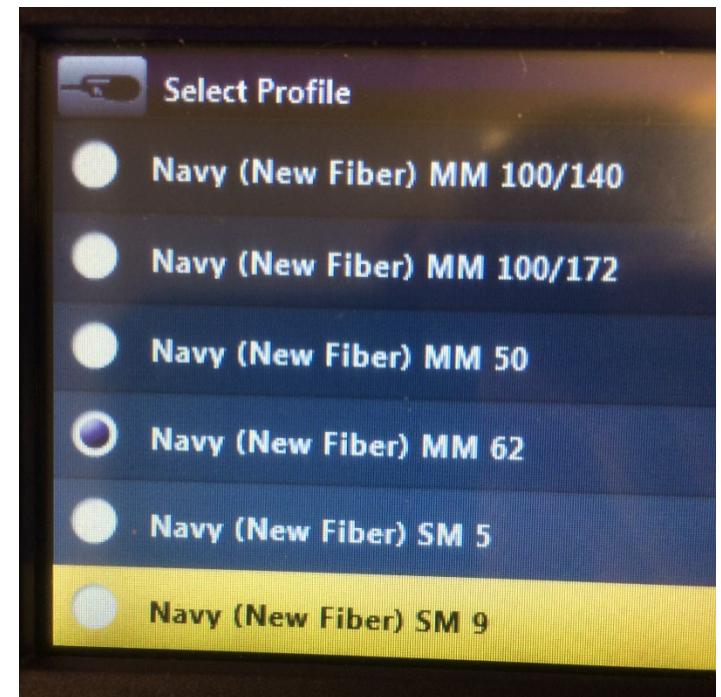
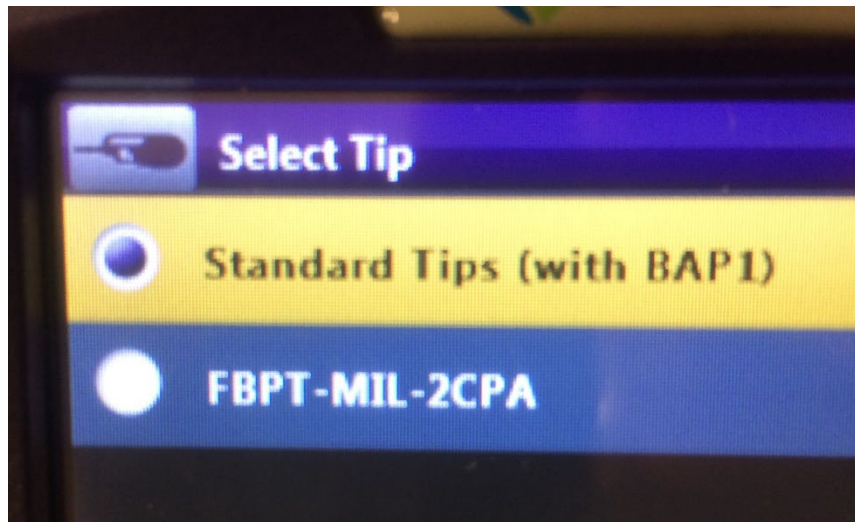


# FOIS Monitor Menus (Inspection Criteria)



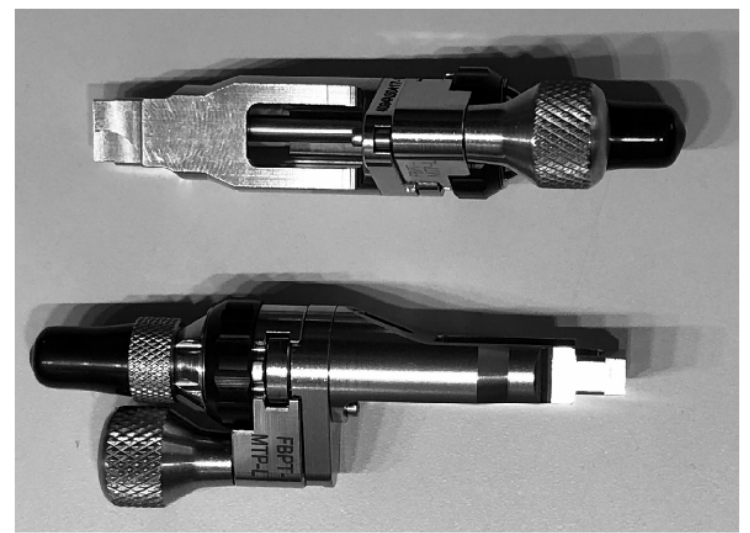
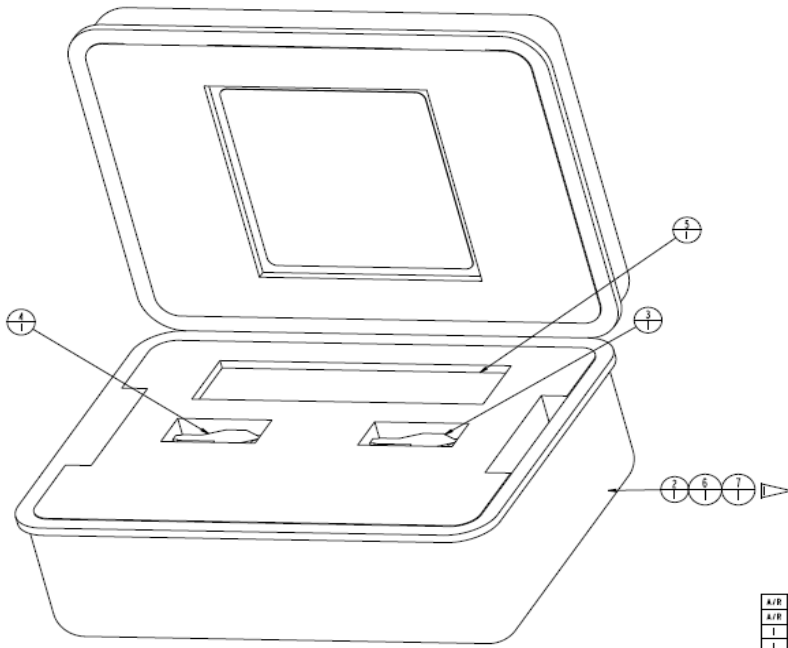
Lighting Profiles

Fiber Profiles





# ARP FO FOIS Kit PSE E-2D

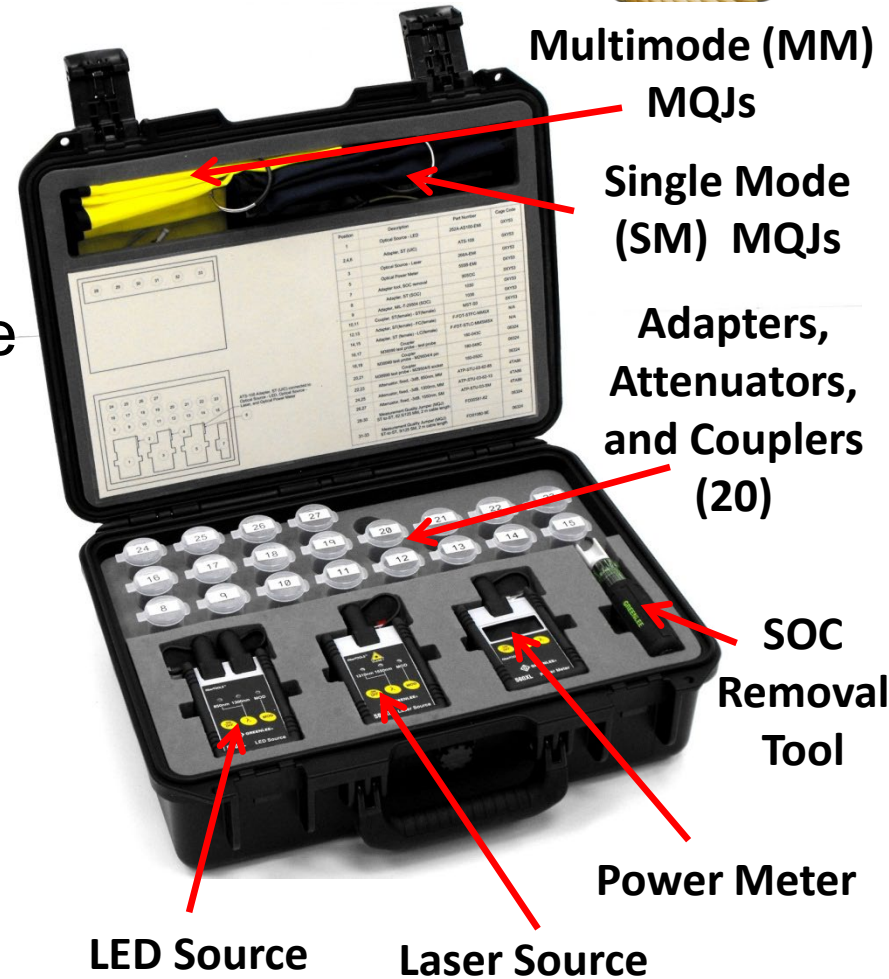




# 3876AS100-1 NIIN01-577-1018 Fiber Optic Test Set (FOTS)



- EMI hardened design
- 850nm / 1300nm LED source
- 1310nm / 1550nm Laser source
- Optical Power Meter
- SM and MM Measurement Quality Jumpers (MQJs)
- Cable adapters and couplers
- Fixed field check attenuators (3dB, 6dB)





# 4003AS100-1 NIIN 01-577-5209 E-2 Fiber Optic Adapter Set (E-2FOAS)



- E-2D has extensive fiber optic applications
- 56 connector adapters in captive-lid containers
- 5 types of jumper/test cables





# 4004AS100-1      NIIN 01-577-5210

## H-60 Fiber Optic Adapter Set (H-60FOAS)



- Fielded in 2017
- Set consists of twelve (12) adapters along with test cables and attenuators



(close representation of H-60 FOAS)



# The New Stuff Fiber Optic Repair Set (FORS)



P/N: 3881AS100-1 NIIN: 01-528-5511

- **Description:** The FORS contains the tools for performing splice repairs on aircraft fiber optic cables. It is applicable for in-line splices as well as splicing of pre-terminated pigtails to replace cable or terminal damage at the connectors. Fiber optic maintenance tools for **prepping, splicing, and restoring** the cable strength. Application for Battle Damage Repair (BDR) (Consumable components sold separately.)
- **Performance:** Stringent MIL-STD-24623C requirements
  - “Permanent” repair – hardened (cured) epoxy mating
  - Low loss (< 0.5 dB)
- **A/C (Systems) Supported (under this acquisition):**  
E-2CHE2K, E-2D, **F/A-18E/F, E/A-18G**, P-8



# Fiber Optic Repair Set (FORS)

P/N: 3881AS100-1 NIIN: 01-528-5511



## OPTOWARES

### FORS KIT LIST

Part Number	Description	Qty
FORS-00000100	Kit	1
FORS-00000200	Fiber Inspection Scope	1
FORS-00000300	Splicing	1
FORS-00000400	Splice Splicing Tool	1
FORS-00000500	Over Light Strips	1
FORS-00000600	Light Fiber Straps	1
FORS-00000700	Fiber Straps	1
FORS-00000800	Splice Pads	1
FORS-00000900	Splicing Equipment	1
FORS-00001000	80 & 85M Vertical Fiber Splice Kit	1
FORS-00001100	80 & 85M Fiber Clamps	1
FORS-00001200	80/85M Fiber Clamps	1
FORS-00001300	Vertical Fiber Splicing	1
FORS-00001400	Vertical Fiber Clamps	1
FORS-00001500	Vertical Fiber Clamps	1
FORS-00001600	Vertical Fiber Clamps	1
FORS-00001700	Vertical Fiber Clamps	1
FORS-00001800	Vertical Fiber Clamps	1
FORS-00001900	Vertical Fiber Clamps	1
FORS-00002000	Vertical Fiber Clamps	1
FORS-00002100	Vertical Fiber Clamps	1
FORS-00002200	Vertical Fiber Clamps	1
FORS-00002300	Vertical Fiber Clamps	1
FORS-00002400	Vertical Fiber Clamps	1
FORS-00002500	Vertical Fiber Clamps	1
FORS-00002600	Vertical Fiber Clamps	1
FORS-00002700	Vertical Fiber Clamps	1
FORS-00002800	Vertical Fiber Clamps	1
FORS-00002900	Vertical Fiber Clamps	1
FORS-00003000	Vertical Fiber Clamps	1
FORS-00003100	Vertical Fiber Clamps	1
FORS-00003200	Vertical Fiber Clamps	1
FORS-00003300	Vertical Fiber Clamps	1
FORS-00003400	Vertical Fiber Clamps	1
FORS-00003500	Vertical Fiber Clamps	1
FORS-00003600	Vertical Fiber Clamps	1
FORS-00003700	Vertical Fiber Clamps	1
FORS-00003800	Vertical Fiber Clamps	1
FORS-00003900	Vertical Fiber Clamps	1
FORS-00004000	Vertical Fiber Clamps	1
FORS-00004100	Vertical Fiber Clamps	1
FORS-00004200	Vertical Fiber Clamps	1
FORS-00004300	Vertical Fiber Clamps	1
FORS-00004400	Vertical Fiber Clamps	1
FORS-00004500	Vertical Fiber Clamps	1
FORS-00004600	Vertical Fiber Clamps	1
FORS-00004700	Vertical Fiber Clamps	1
FORS-00004800	Vertical Fiber Clamps	1
FORS-00004900	Vertical Fiber Clamps	1
FORS-00005000	Vertical Fiber Clamps	1
FORS-00005100	Vertical Fiber Clamps	1
FORS-00005200	Vertical Fiber Clamps	1
FORS-00005300	Vertical Fiber Clamps	1
FORS-00005400	Vertical Fiber Clamps	1
FORS-00005500	Vertical Fiber Clamps	1
FORS-00005600	Vertical Fiber Clamps	1
FORS-00005700	Vertical Fiber Clamps	1
FORS-00005800	Vertical Fiber Clamps	1
FORS-00005900	Vertical Fiber Clamps	1
FORS-00006000	Vertical Fiber Clamps	1
FORS-00006100	Vertical Fiber Clamps	1
FORS-00006200	Vertical Fiber Clamps	1
FORS-00006300	Vertical Fiber Clamps	1
FORS-00006400	Vertical Fiber Clamps	1
FORS-00006500	Vertical Fiber Clamps	1
FORS-00006600	Vertical Fiber Clamps	1
FORS-00006700	Vertical Fiber Clamps	1
FORS-00006800	Vertical Fiber Clamps	1
FORS-00006900	Vertical Fiber Clamps	1
FORS-00007000	Vertical Fiber Clamps	1
FORS-00007100	Vertical Fiber Clamps	1
FORS-00007200	Vertical Fiber Clamps	1
FORS-00007300	Vertical Fiber Clamps	1
FORS-00007400	Vertical Fiber Clamps	1
FORS-00007500	Vertical Fiber Clamps	1
FORS-00007600	Vertical Fiber Clamps	1
FORS-00007700	Vertical Fiber Clamps	1
FORS-00007800	Vertical Fiber Clamps	1
FORS-00007900	Vertical Fiber Clamps	1
FORS-00008000	Vertical Fiber Clamps	1
FORS-00008100	Vertical Fiber Clamps	1
FORS-00008200	Vertical Fiber Clamps	1
FORS-00008300	Vertical Fiber Clamps	1
FORS-00008400	Vertical Fiber Clamps	1
FORS-00008500	Vertical Fiber Clamps	1
FORS-00008600	Vertical Fiber Clamps	1
FORS-00008700	Vertical Fiber Clamps	1
FORS-00008800	Vertical Fiber Clamps	1
FORS-00008900	Vertical Fiber Clamps	1
FORS-00009000	Vertical Fiber Clamps	1
FORS-00009100	Vertical Fiber Clamps	1
FORS-00009200	Vertical Fiber Clamps	1
FORS-00009300	Vertical Fiber Clamps	1
FORS-00009400	Vertical Fiber Clamps	1
FORS-00009500	Vertical Fiber Clamps	1
FORS-00009600	Vertical Fiber Clamps	1
FORS-00009700	Vertical Fiber Clamps	1
FORS-00009800	Vertical Fiber Clamps	1
FORS-00009900	Vertical Fiber Clamps	1
FORS-00010000	Vertical Fiber Clamps	1

Fiber Optics Repair Set (FORS)  
PN: FORS-Z99K1110S  
CAGE CODE: 7JE02





# Fiber Optic Repair Set (FORS) Contents

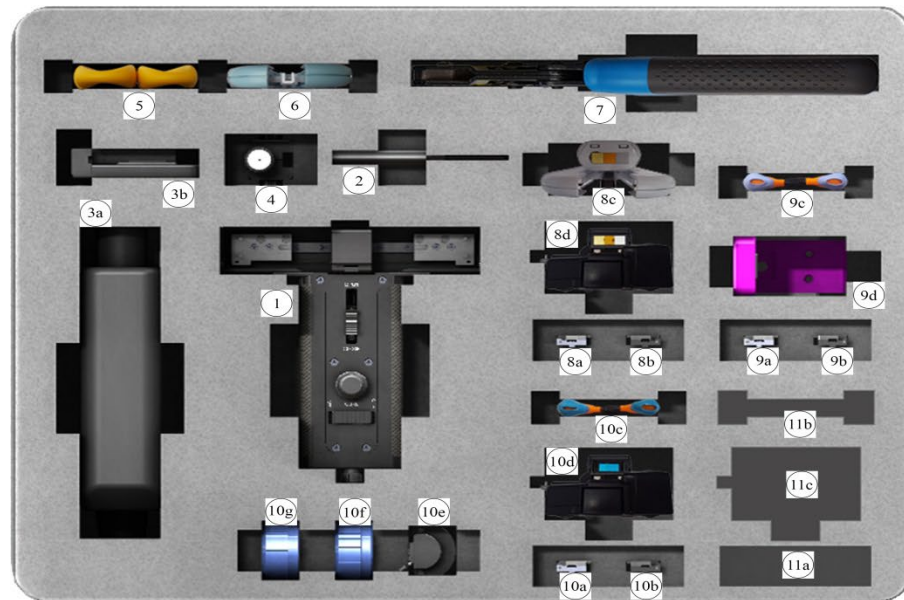


P/N: FORS-Z99K1110S



## FORS KIT LIST

Item	Description	Qty.	Part Number
1	T-Splicer	1	FORS-010000100
2	Braid Pick	1	
3a, 3b	Fiber Inspection Scope & Fixture	1	
4	Sleeve Insertion Tool	1	
5	Scissors	1	
6	Fiber Jacket Stripper (All Types)	1	
7	Crimp Tool	1	
8a, 8b	SM/MM Fiber Clamps (Yellow, Orange, Gray)	1	
8c	SM/MM Thermal Fiber Buffer Stripper (Yellow, Orange, Gray)	1	
8d	SM/MM Fiber Cleaver-125 (Yellow, Orange, Gray)	1	
9a, 9b	230um Fiber Clamps (Purple)	1	
9c	230um Fiber Stripper (Purple)	1	
9d	230um Fiber Cleaver-200 (Purple)	1	
10a, 10b	Polyimide Fiber (Blue)	1	
10c	Polyimide Fiber Stripper (Blue)	1	
10d	Polyimide Fiber Cleaver-Poly (Blue)	1	
10e	Tip Polisher Top(Blue)	1	
10f	Tip Polisher Bottom (Blue)	1	
10g	Tip Cleaner (Blue)	1	
11a	Blank		
11b	Blank		
11c	Blank		







# Fiber Optic Repair Set (FORS)

P/N: 3881AS100-1 NIIN: 01-528-5511  
P/N: FORS-Z99K1110S



## Aircraft Fiber Optic Cable Sampling

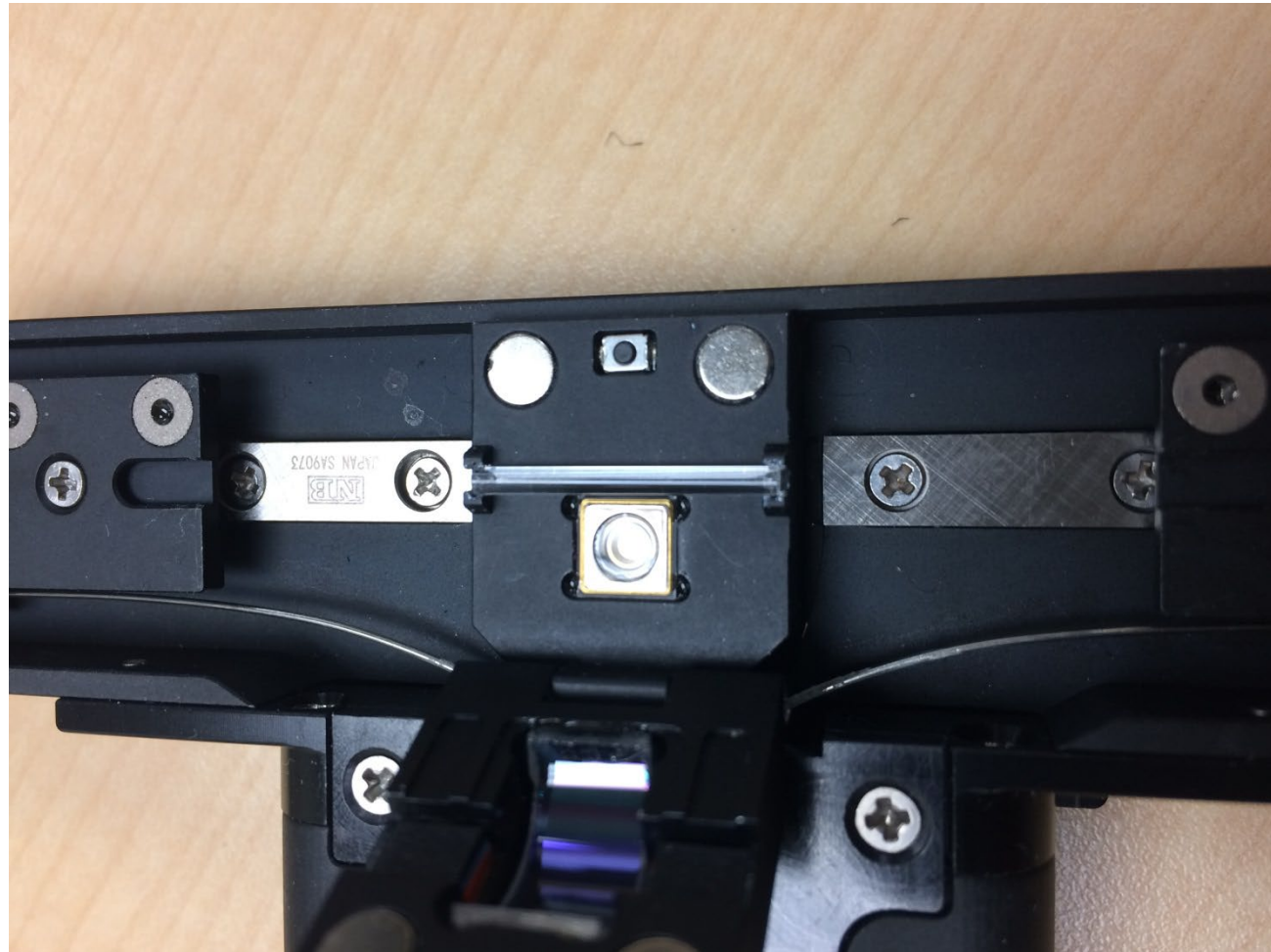
SIZE	SM / MM	MANUFACTURER	P/N
9.0/125	SM	OFS	F19163
50/125	MM-GI	OFS	C1 4370
62.5/125	MM-GI	General Cable	OC 1468
100/140	MM	General Cable	OC 1260
200/230	MM-SI	OFS	CF01493-10



# Present Acquisition Fiber Optic Repair Set (FORS)

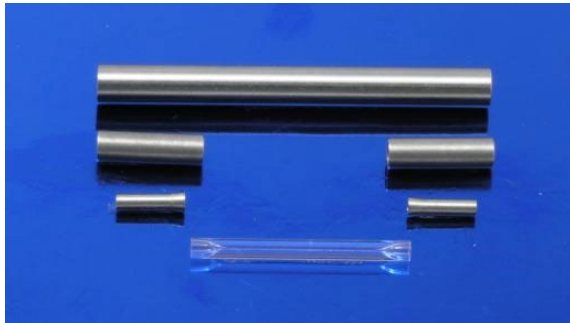


- T-splice tool with alignment ferrule
- 7 min cure cycle (uv LED)





# Present Acquisition Fiber Optic Repair Set (FORS)



Splice components

T-splicer with fiber  
cable ends





# Present Acquisition Fiber Optic Repair Set (FORS)



Handling Index Matching Adhesive filled glass ferrules

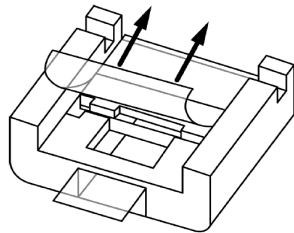


Figure 3. Removing Bottom Tape From Plastic Ferrule Holder.

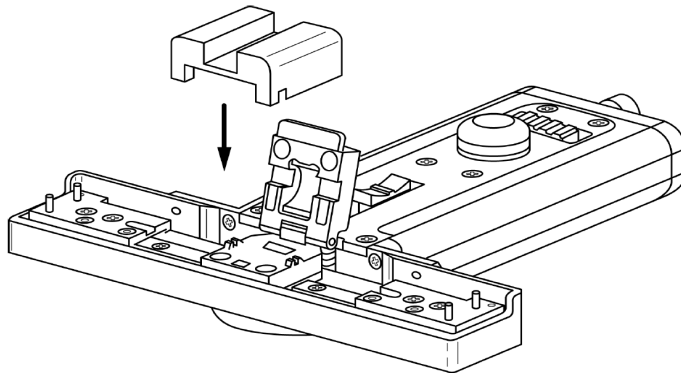
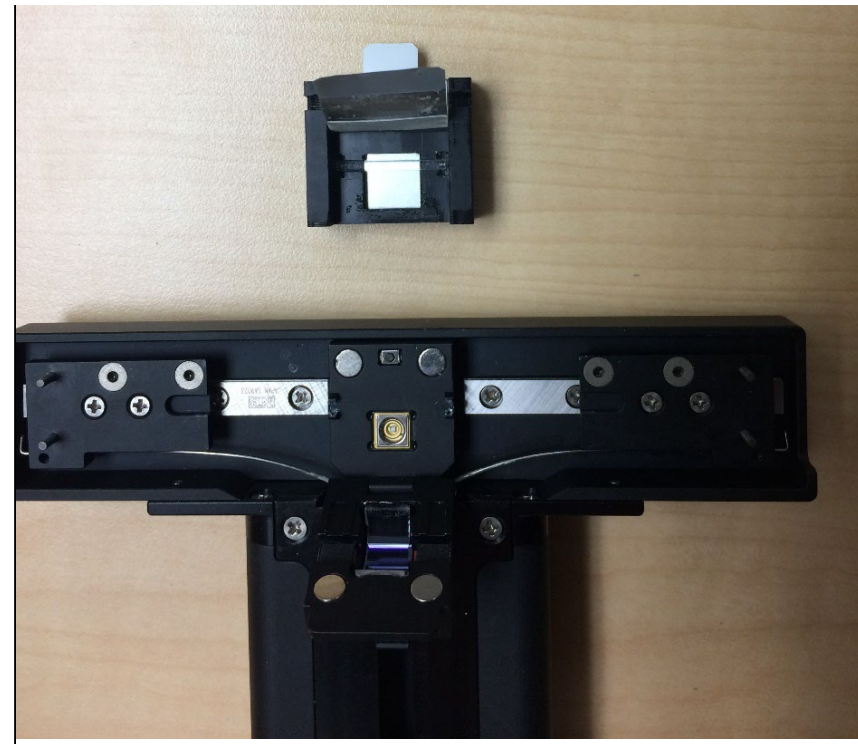


Figure 4. Positioning the Plastic Ferrule Holder On The T-Splicer.

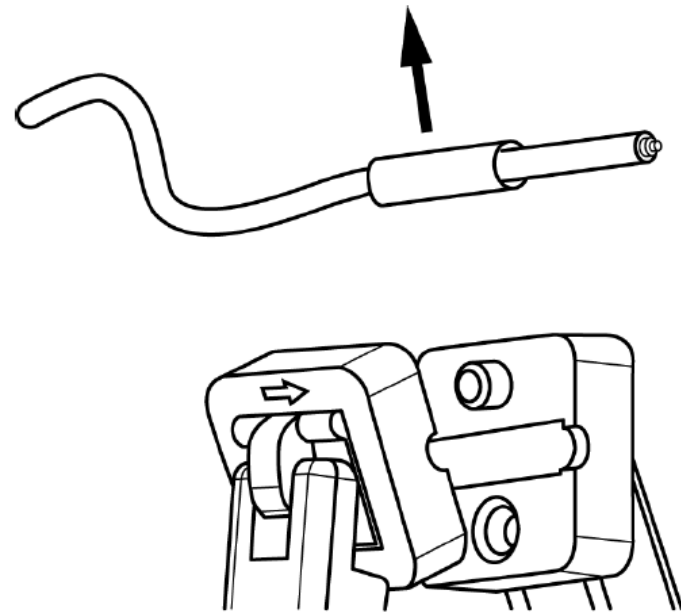
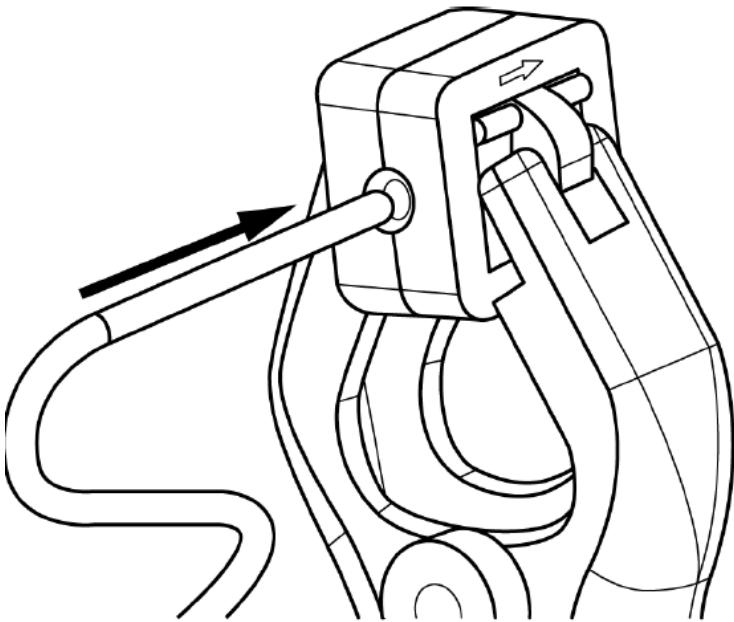




# Present Acquisition Fiber Optic Repair Set (FORS)



Handling small cable sleeves using utility clamps ("sleeve holders")





PSE Item

# Future PMA-260 Programs



COTS Samples



Questions?