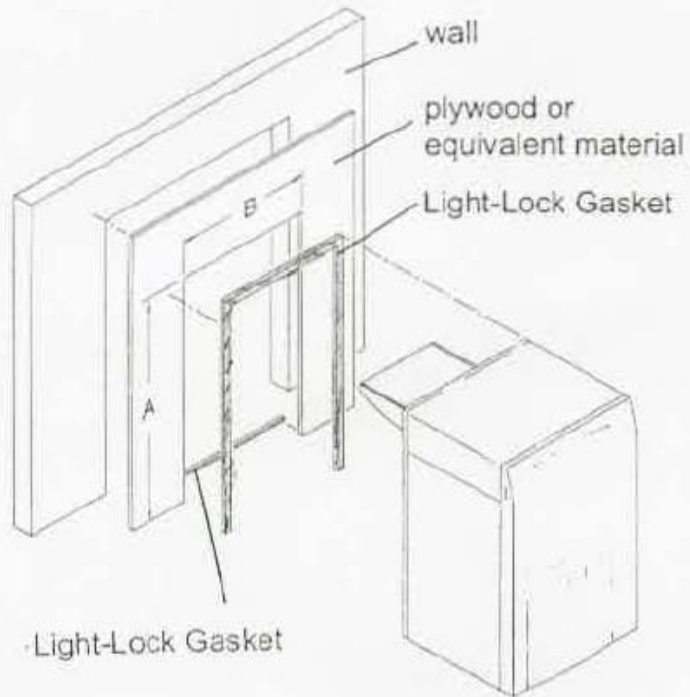


INDUSTREX M43 FILM PROCESSOR- Through-Wall Installation

Subject	Requirements	
Procedure	<p>The opening must be the correct size to prevent light leakage around the Processor. Use either of the following procedures to obtain the correct-size opening.</p> <p>Installation with Plywood</p> <ul style="list-style-type: none"> • Use a 3/4-in. sheet of plywood or equivalent material that is: <ul style="list-style-type: none"> – exterior grade – fire retardant – medium density overlay (MDO) • Make the correct-size opening in the plywood. • Make a larger opening in the wall. • Install the plywood against the wall in the light room. <p>Installation without Plywood</p> <ul style="list-style-type: none"> • Make the correct-size opening in the wall. 	
Opening for Feed or Dryer End	Distance A	1140mm (44.9 inches)
	Distance B	636mm (25 inches)

INDUSTREX M43 FILM PROCESSOR- Through-Wall Installation

Feed End



Dryer End

