

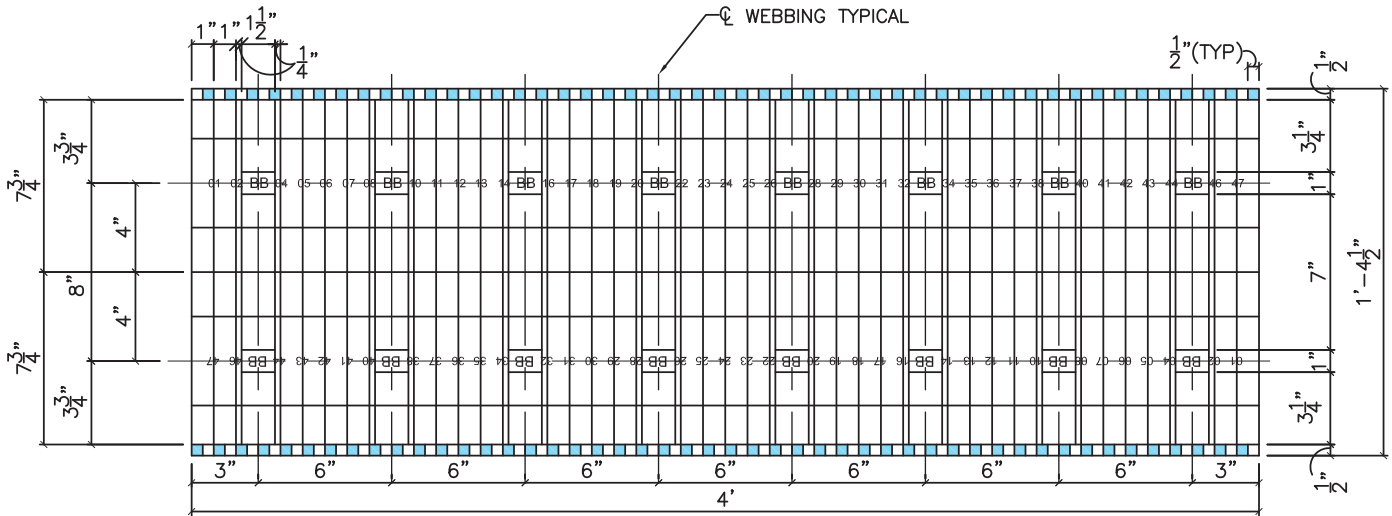
# BUILDBLOCK CAD DETAILS

## Table of Contents

1	6" Straight Block .....	1	15E	Simpson ICF Connectors.....	48
1A	4" Straight Block .....	2	15F	Simpson ICF Connectors.....	49
2	6" Angle Blocks.....	3	16	BuildBlock 6" Ledge Block Application 1.....	50
2A	4" Angle Blocks.....	4	17	BuildBlock 8" Ledge Block Application 2.....	51
3	8" Straight Block .....	5	18	BuildBlock 6" & 8" Ledge Block Application 3.....	52
4	8" Angle Blocks.....	6	19	BuildBlock 6" & 8" Masonry Ledge Form Details .....	53
4A	8" Knockdown Straight Blocks .....	7	20	BuildBlock Basement Foundation .....	54
4B	10" Knockdown Straight Blocks .....	8	21	BuildBlock Basement & Wood Frame.....	55
4C	12" Knockdown Straight Blocks .....	9	22	Frame Sole Plate Intersection .....	56
4D	10" Knockdown 90° Corner Block .....	10	23	Wood Frame Stucco on BuildBlock Basement .....	57
4E	12" Knockdown 90° Corner Block .....	11	23A	Wood Frame Stucco on BuildBlock Basement .....	58
5	6" Ledge Block .....	12	23B	Wood Frame Stucco on BuildBlock Crawl Space .....	59
5A	8" Ledge Block .....	13	23C	Stucco on BuildBlock & Crawl Space.....	60
5A1	8" Ledge Block Stirrup Reinforcement .....	14	23D	Siding on BuildBlock Crawl Space.....	61
5A2	6" Ledge Block Stirrup Reinforcement .....	15	23E	Brick on BuildBlock Crawl Space.....	62
5B	6" Taper Top Block.....	16	23F	Wood Frame Stucco on BuildBlock Basement .....	63
5C	8" Taper Top Block.....	17	24	BuildBlock on Piers 1.....	64
5D	BuildDeck 8" .....	18	25	BuildBlock on Piers 2.....	65
5E	BuildDeck 10" .....	19	26	BuildBlock on Piers 3.....	66
5F	BuildDeck 12" .....	20	27	Detail of Stepped Footings.....	67
5G	BuildDeck 12" + 2" Foam Top Hat .....	21	28	Horizontal Intersection .....	68
5H	BuildDeck 12" + 4" Foam Top Hat .....	22	28A	"T" Intersections.....	69
5I	BuildDeck 12" + 6" Foam Top Hat .....	23	29	Load Hanging Details .....	70
5J	BuildDeck 12" + 8" Foam Top Hat .....	24	30	Vertical Reinforcing.....	71
5K	BuildDeck Long Span Stirrups.....	25	30A	Reinforcement of Openings .....	72
6	1-Story Brick Veneer .....	26	30B	Flat ICF Lintel & Stirrup Construction.....	73
7	1-Story Stucco.....	27	31	Window Openings .....	74
8	1-Story Siding.....	28	32	Mechanical Installations .....	75
9	Wood Frame on BuildBlock Stem .....	29	33	Sub-Grade Waterproofing .....	76
10	BuildBlock Stem & Crawl Space .....	30	34	Metal Deck Composite Floors.....	77
11	BuildBlock Stem & Log Wall.....	31	35	Metal Deck & Steel Joists.....	78
11A	BuildBlock Stem & Log Wall.....	32	36	Precast Hollow Core Floors.....	79
12	BuildBlock Basement & Log Wall.....	33	37	Beam Pocket.....	80
12A	Basement, Taper Unit & Log Wall.....	34	38	Parapets .....	81
13	Basement With Brick 1 or 2 Story BuildBlock Above.....	35	39	Pilaster Detail .....	82
13A	Basement With Stucco 1 or 2 Stories Above .....	36	40	BuildBlock Radius Walls .....	83
13B	Wall Detail W/Sill Plate & Slope Roof.....	37	41	8" Ledgeblock Outside 90° Miter No. 1 .....	84
13C	Basement With Siding on One Story BuildBlock and Second Floor Frame Above.....	38	41A	6" Ledgeblock Outside 90° Miter No. 1 .....	85
13D	Basement With 1 or 2 Story BuildBlock Above .....	39	42	Ledgeblock Inside 90° Miter No. 1.....	86
14	BuildBlock 6" Typical Floor Intersections.....	40	42A	6" Ledgeblock Inside 90° Miter No. 1 .....	87
14A	Frame Floor Top Bearing .....	41	43	8" Ledgeblock Outside 90° Miter No. 2 .....	88
14B	BuildBlock 8" Typical Floor Wall Intersections.....	42	43A	6" Ledgeblock Outside 90° Miter No. 2 .....	89
15	Simpson ICF Connectors.....	43	44	Ledgeblock Inside 90° Miter No. 2.....	90
15A	Simpson ICF Connectors.....	44	44A	6" Ledgeblock Inside 90° Miter No. 2 .....	91
15B	Simpson ICF Connectors.....	45	45	Monolithic Footing / Slab With Stucco/EIFS .....	92
15C	Simpson ICF Connectors.....	46	45A	Monolithic Footing / Slab Siding .....	93
15D	Simpson ICF Connectors.....	47	46	Monolithic Footing / Slab Brick/Masonry.....	94
			47	Concrete Masonry Unit (CMU) Stemwall.....	95

# BUILDBLOCK CAD DETAILS

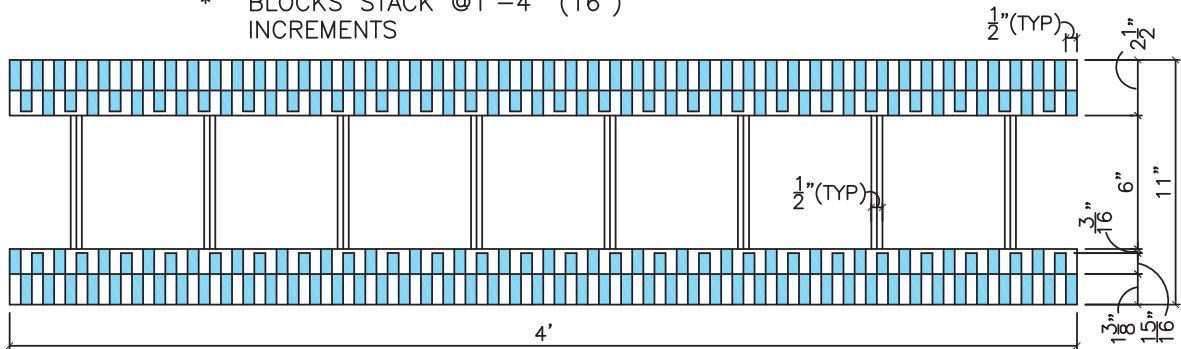
48	8" Ledgeblock 45° Outside Miter.....	96	62E	BuildBuck Connection Detail.....	143
49	8" Ledgeblock 45° Inside Miter.....	97	62F	BuildBuck Assembly and Bracing.....	144
50	6" Ledgeblock 45° Inside Miter.....	98	62G	BuildBuck Bracing Recommendations.....	145
51	6" Ledgeblock 45° Outside Miter.....	99	62H	BuildBuck Window Mounting Recommendations.....	146
52	Taper Unit & Core Slab.....	100	62I	BuildBuck Door Installation Detail.....	147
53	Taper Unit & Ledge Connection 1.....	101	63A	BuildShield Product Detail.....	148
54	Taper Unit & Ledge Connection 2.....	102	63B	BuildShield Termite Installation.....	149
55	Taper Unit & Ledge Connection 3.....	103	63C	BuildShield Corner Form Modification.....	150
55A	Basement W/ BuildBlock Above & Side Bearing Floor W/ Tapertop.....	104	63D	BuildShield Firestop Installation.....	151
55B	Basement W/ BuildBlock Above & Side Bearing Floor.....	105	63E	BuildShield Firestop Concrete Floor System.....	152
55C	Floor ICF Wall Connection In Seismic Zone D & Townhouse Zone C. ICF. Above.....	106	63F	BuildShield Firestop with Wood/Metal Floor System.....	153
55D	Floor ICF Wall Connection In Seismic Zone D & Townhouse Zone C. Frame Above.....	107	64A	BuildBlock HardWall Product Detail.....	154
56	BuildDeck Floor & Wall Top Bearing.....	108	64B	BuildBlock HardWall Connector Detail.....	155
57	BuildDeck Floor Intersection.....	109	64C	BuildBlock HardWall Assembly.....	156
58A	Brickledge 8" Ledge Block BB-8BL to BuildBlock BB-800... 110		64D	BuildBlock HardWall Form Template.....	157
58B	Brickledge 8" Ledge Block BB-8BL to BuildBlock BB-600... 111		64E	BuildBlock HardWall Finishing.....	158
58C	Brickledge 6" Ledge Block BB-8BL to BuildBlock BB-600... 112		64F	BuildBlock HardWall Alternative Application.....	159
59A	BB-400/BL-400 90° Field Fabricated Corner.....	113	64G	BuildBlock HardWall Form Template Full Size.....	160
59B	BB-445/BL-445 45° Field Fabricated Corner.....	114	65A	BuildRadius 2-Foot arc Radius Product Detail.....	161
59C	BB-600/BL-600 90° Field Fabricated Corner.....	115	65B	BuildRadius 4-Foot arc Radius Product Detail.....	162
59D	BB-645/BL-645 45° Field Fabricated Corner.....	116	65C	BuildRadius 8-Foot arc Radius Product Detail.....	163
59E	BB-800/BL-800 90° Field Fabricated Corner.....	117	65D	BuildRadius 12-Foot arc Radius Product Detail.....	164
59F	BB-845/BL-845 45° Field Fabricated Corner.....	118	65E	BuildRadius 16-Foot arc Radius Product Detail.....	165
59G	BB-1000/BL-1000 90° Field Fabricated Corner.....	119	65F	BuildRadius 20-Foot arc Radius Product Detail.....	166
59H	BB-1045/BL-1045 45° Field Fabricated Corner.....	120	65G	Build Radius Wall Intersections.....	167
59I	BB-1200/BL-1200 90° Field Fabricated Corner.....	121	66A	2± Inch Deep Concrete Void Repair.....	168
59J	BB-1245/BL-1245 45° Field Fabricated Corner.....	122	66B	4± Inch Deep Concrete Void Repair.....	169
60A	GlobalBlock All Foam ICF 3" Straight Block.....	123	66C	6± Inch Deep Concrete Void Repair.....	170
60B	GlobalBlock All Foam ICF 3" 90° Corner Block.....	124			
60C	GlobalBlock All Foam ICF 4" Straight Block.....	125			
60D	GlobalBlock All Foam ICF 4" 90° Corner Block.....	126			
60E	GlobalBlock All Foam ICF 6" Straight Block.....	127			
60F	GlobalBlock All Foam ICF 6" 90° Corner Block.....	128			
60G	GlobalBlock All Foam ICF 8" Straight Block.....	129			
60H	GlobalBlock All Foam ICF 8" 90° Corner Block.....	130			
60I	GlobalBlock Web Inserts Detail.....	131			
60J	GlobalBlock Rebar Saddle Detail.....	132			
60K	GlobalBlock Combined Reinforcement Options.....	133			
60L	GlobalBlock Using Plastic Web Inserts.....	134			
60M	GlobalBlock Using Rebar Pins.....	135			
60N	GlobalBlock Using Rebar Saddles.....	136			
61A	Thermalsert Product Detail.....	137			
61B	Thermalsert Kd Product Detail.....	138			
62A	BuildBuck 6" Product Dimensions.....	139			
62B	BuildBuck 8" Product Dimensions.....	140			
62C	BuildBuck Product Features.....	141			
62D	BuildBuck Cross Sections BK-600/BK-800.....	142			



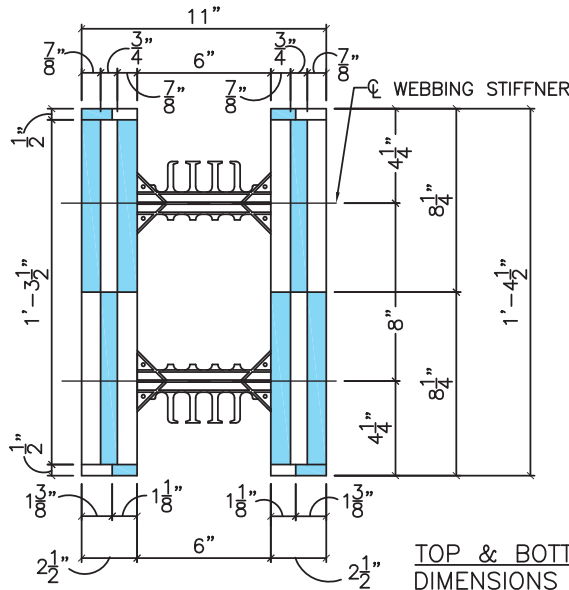
**NOTE:**

- \* FORM IS REVERSIBLE BOTH VERTICALLY AND HORIZONTALLY
- \* BLOCKS STACK @1'-4" (16") INCREMENTS

**3** FRONT VIEW  
**01** SCALE: 1 1/2" = 1'-0"



**2** TOP/BOTTOM VIEW (REVERSIBLE)  
**01** SCALE: 1 1/2" = 1'-0"



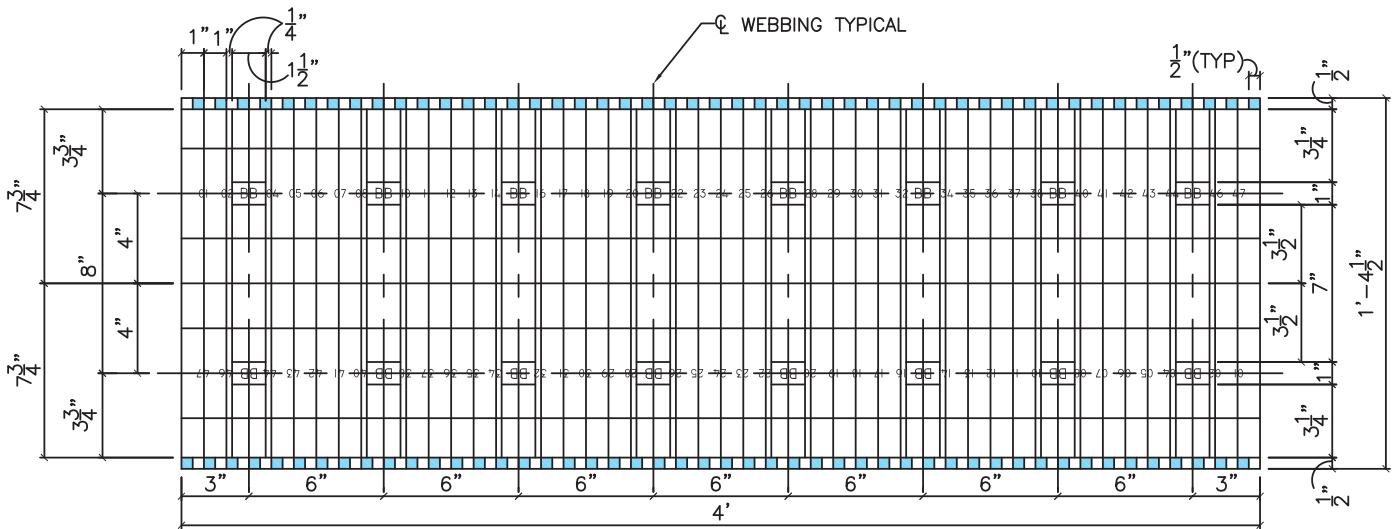
**1** SIDE VIEW  
**01** SCALE: 1 1/2" = 1'-0"

**LEGEND**

- = POSITIVE PROFILES (TONGUES)
- = NEGATIVE PROFILES (GROOVES)

**NOTE:**  
 DUE TO VARIATIONS IN SELECTED PRINTER SETTINGS, NOTED SCALES MAY NO LONGER BE APPLICABLE

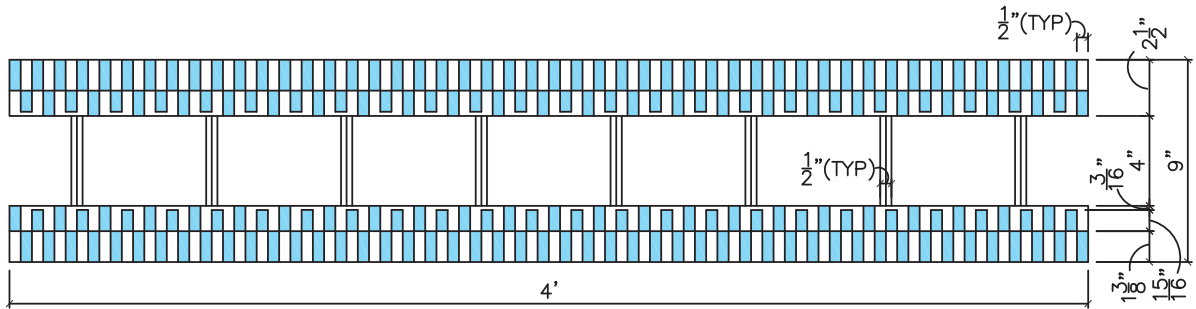
	<b>6" STRAIGHT BLOCK</b>		DATE/REV	2-2-17 / 3	SCALE	NTS	DETAIL SHEET
	NOTES					1	
9705 N. BROADWAY EXTENSION, SUITE 200, OKLAHOMA CITY, OK 73114 OFFICE: 405-840-3386   TOLL FREE: 866-222-2575   FAX: 831-597-0792 BUILDBLOCK.COM	CONSTRUCTION SHALL BE IN ACCORDANCE WITH ALL APPLICABLE LOCAL AND NATIONAL CODES. ALL DRAWINGS ARE SUBJECT TO CHANGE WITHOUT NOTICE.						



**NOTE:**

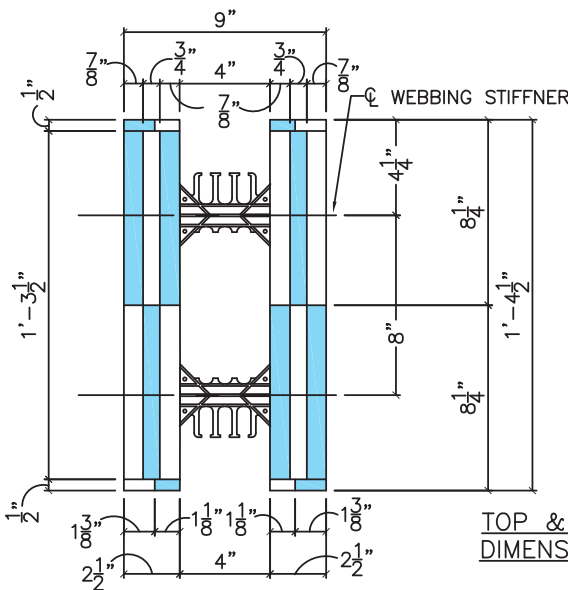
- \* FORM IS REVERSIBLE BOTH VERTICALLY AND HORIZONTALLY
- \* BLOCKS STACK @1'-4" (16") INCREMENTS

**3** FRONT VIEW  
 01a SCALE: 1 1/2" = 1'-0"



TOP/BOTTOM VIEW

**2** (REVERSIBLE)  
 01a SCALE: 1 1/2" = 1'-0"



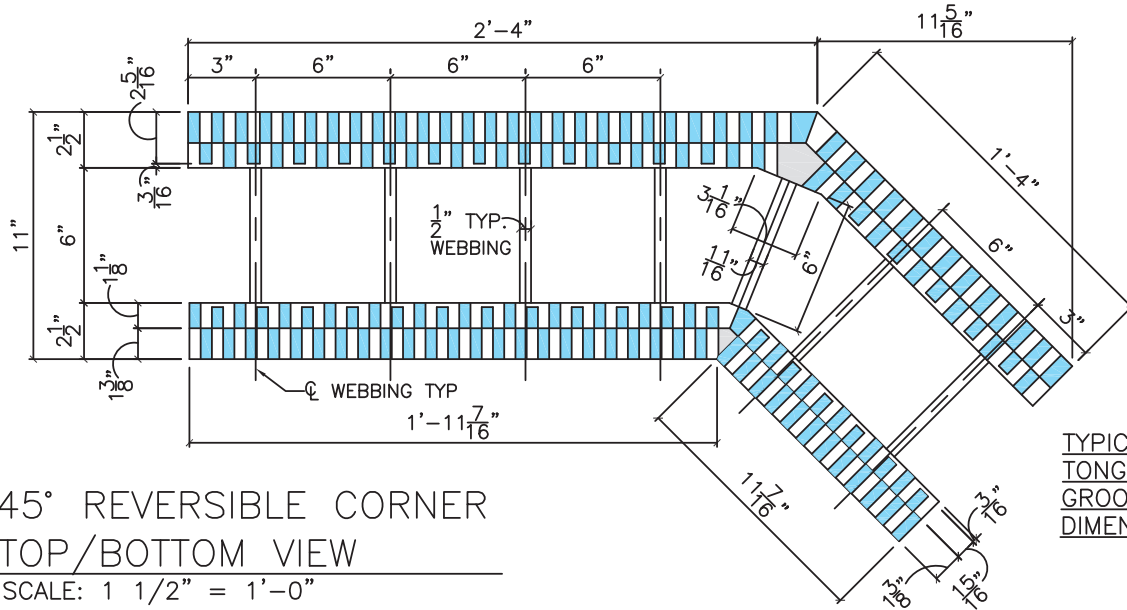
**1** SIDE VIEW  
 01a SCALE: 1 1/2" = 1'-0"

**LEGEND**

- = POSITIVE PROFILES (TONGUES)
- = NEGATIVE PROFILES (GROOVES)

**NOTE:**  
 DUE TO VARIATIONS IN  
 SELECTED PRINTER SETTINGS,  
 NOTED SCALES MAY NO  
 LONGER BE APPLICABLE

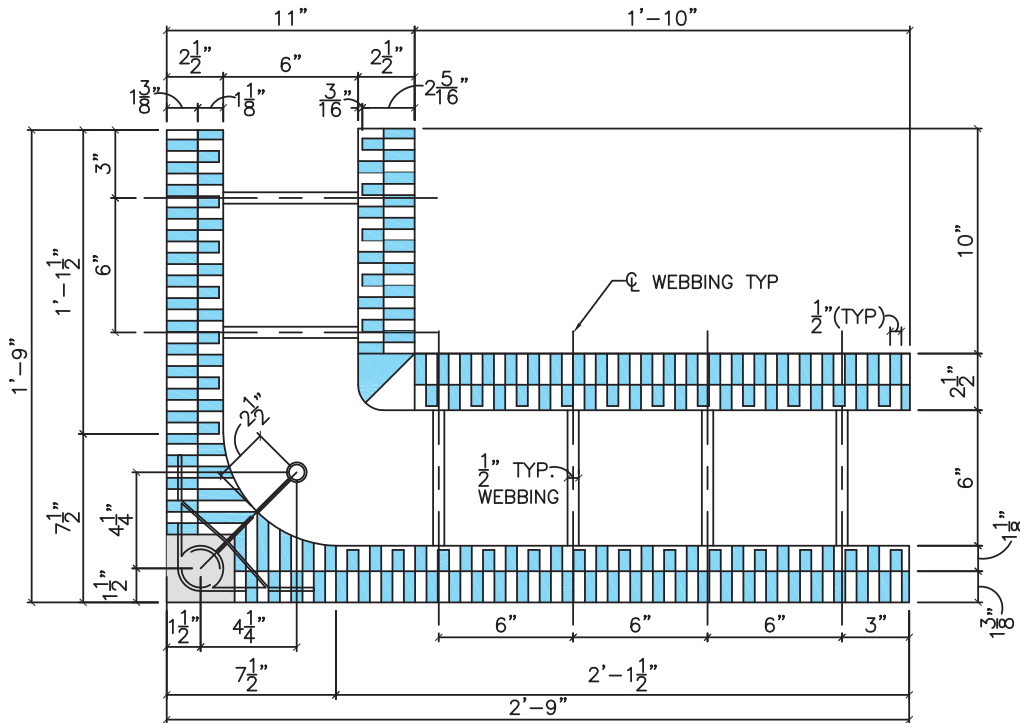
	<b>4" STRAIGHT BLOCK</b>		DATE/REV	2-2-17 / 3	SCALE	NTS	DETAIL SHEET	
	NOTES						<b>1A</b>	
9705 N. BROADWAY EXTENSION, SUITE 200, OKLAHOMA CITY, OK 73114 OFFICE: 405-840-3386   TOLL FREE: 866-222-2575   FAX: 831-597-0792 BUILDBLOCK.COM			CONSTRUCTION SHALL BE IN ACCORDANCE WITH ALL APPLICABLE LOCAL AND NATIONAL CODES. ALL DRAWINGS ARE SUBJECT TO CHANGE WITHOUT NOTICE.					



TYPICAL TONGUE & GROOVE DIMENSIONS

45° REVERSIBLE CORNER

2 TOP/BOTTOM VIEW  
 02 SCALE: 1 1/2" = 1'-0"



TYPICAL TONGUE & GROOVE DIMENSIONS

90° REVERSIBLE CORNER

1 TOP/BOTTOM VIEW  
 02 SCALE: 1 1/2" = 1'-0"

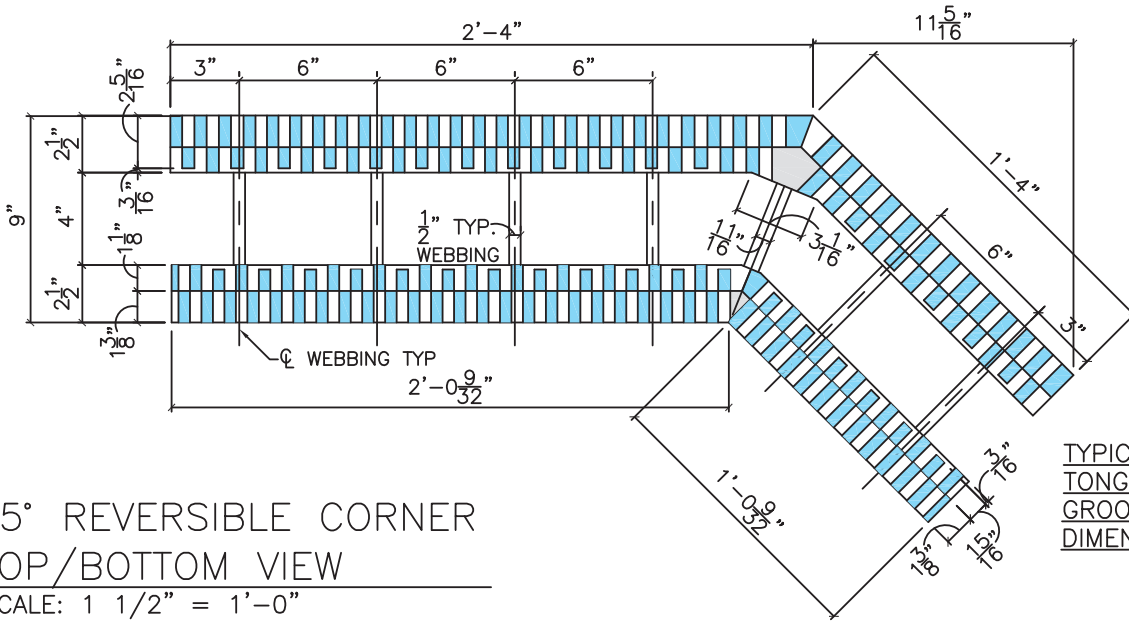
LEGEND

- = POSITIVE PROFILES (TONGUES)
- = 1/2 HEIGHT POSITIVE PROFILES
- = NEGATIVE PROFILES (GROOVES)

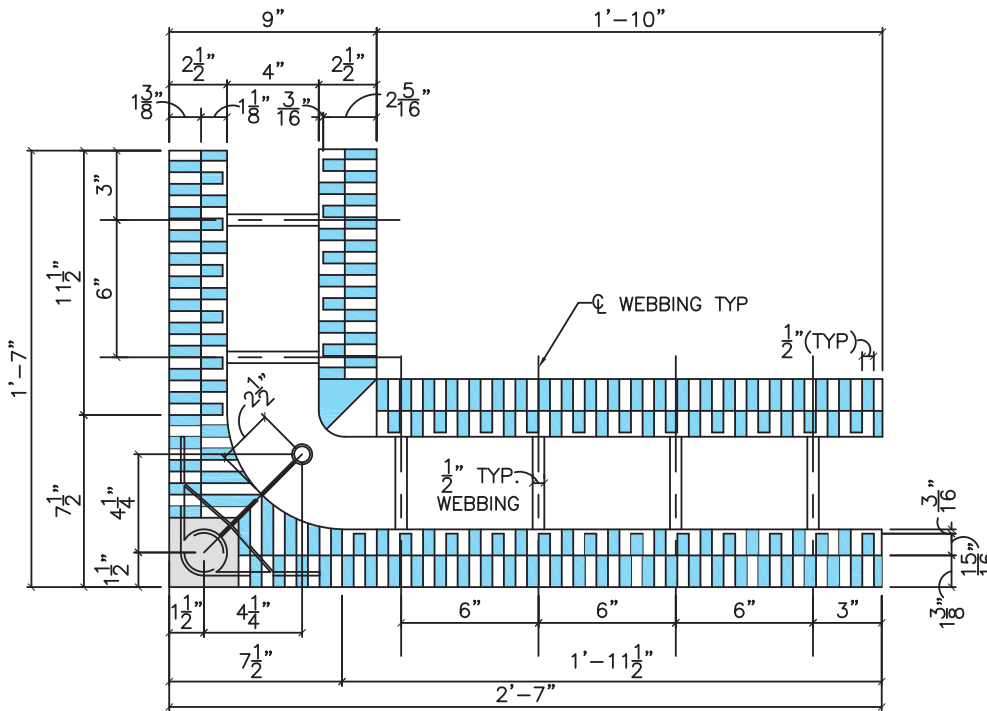
REFER TO DETAIL SHEET 01a FOR TYPICAL END VIEW (SIM.)

NOTE:  
 DUE TO VARIATIONS IN  
 SELECTED PRINTER SETTINGS,  
 NOTED SCALES MAY NO  
 LONGER BE APPLICABLE

	<b>6" ANGLE BLOCKS</b>		
	DATE/REV	2-2-17 / 3	SCALE
NOTES			
9705 N. BROADWAY EXTENSION, SUITE 200, OKLAHOMA CITY, OK 73114 OFFICE: 405-840-3386   TOLL FREE: 866-222-2575   FAX: 831-597-0792 BUILDBLOCK.COM	CONSTRUCTION SHALL BE IN ACCORDANCE WITH ALL APPLICABLE LOCAL AND NATIONAL CODES. ALL DRAWINGS ARE SUBJECT TO CHANGE WITHOUT NOTICE.		
<span style="font-size: 48px; font-weight: bold;">2</span>			DETAIL SHEET



2  
02a



LEGEND

- = POSITIVE PROFILES (TONGUES)
- = 1/2 HEIGHT POSITIVE PROFILES
- = NEGATIVE PROFILES (GROOVES)

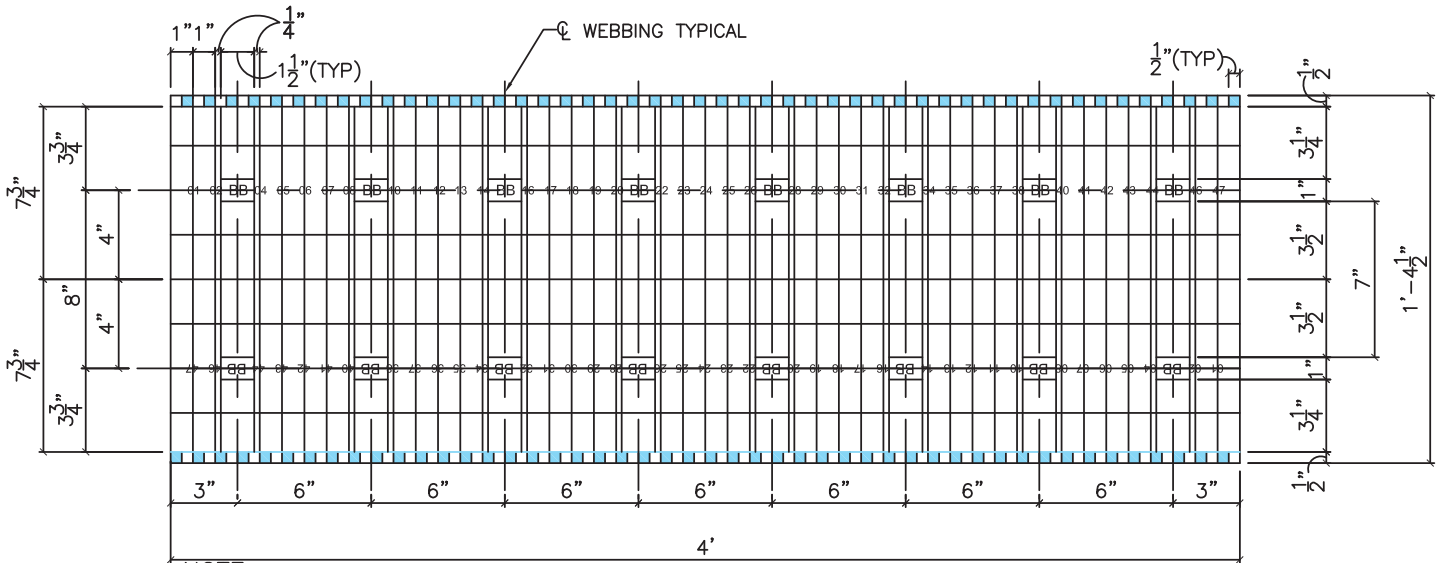
REFER TO DETAIL SHEET 01a FOR TYPICAL END VIEW (SIM.)

1  
02a

90° REVERSIBLE CORNER  
 TOP/BOTTOM VIEW  
 SCALE: 1 1/2" = 1'-0"

NOTE:  
 DUE TO VARIATIONS IN  
 SELECTED PRINTER SETTINGS,  
 NOTED SCALES MAY NO  
 LONGER BE APPLICABLE

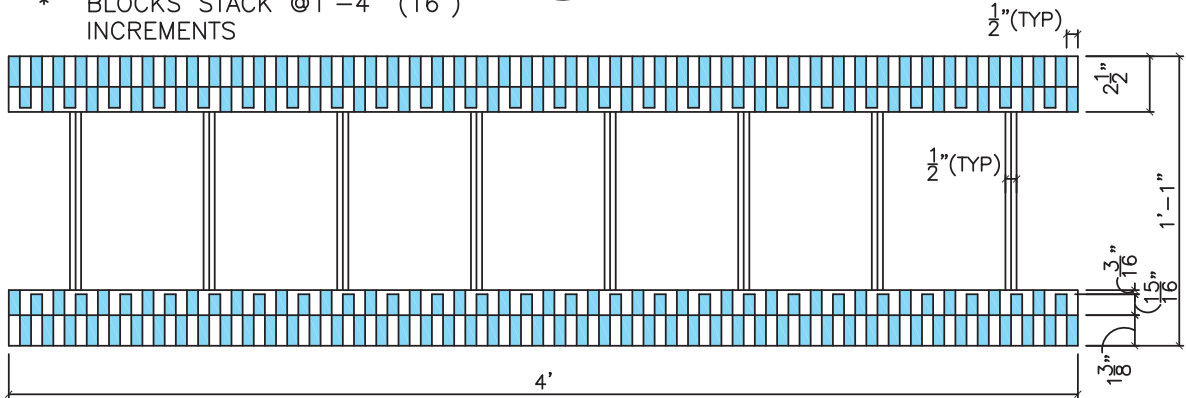
	<b>4" ANGLE BLOCKS</b>		DATE/REV	2-2-17 / 3	SCALE	NTS	DETAIL SHEET	
	NOTES						2A	
9705 N. BROADWAY EXTENSION, SUITE 200, OKLAHOMA CITY, OK 73114 OFFICE: 405-840-3386   TOLL FREE: 866-222-2575   FAX: 831-597-0792 BUILDBLOCK.COM			CONSTRUCTION SHALL BE IN ACCORDANCE WITH ALL APPLICABLE LOCAL AND NATIONAL CODES. ALL DRAWINGS ARE SUBJECT TO CHANGE WITHOUT NOTICE.					



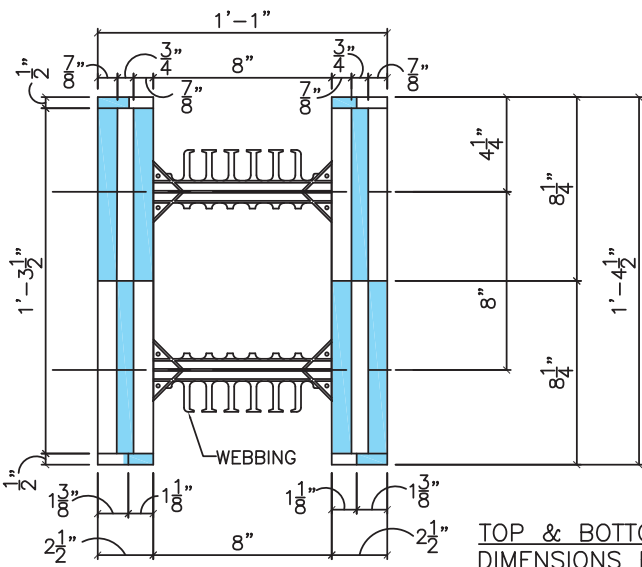
**NOTE:**

- \* FORM IS REVERSIBLE BOTH VERTICALLY AND HORIZONTALLY
- \* BLOCKS STACK @1'-4" (16") INCREMENTS

**3** FRONT VIEW  
 SCALE: 1 1/2" = 1'-0"



**2** TOP/BOTTOM VIEW  
 (REVERSIBLE)  
 SCALE: 1 1/2" = 1'-0"



**1** SIDE VIEW  
 SCALE: 1 1/2" = 1'-0"

**LEGEND**

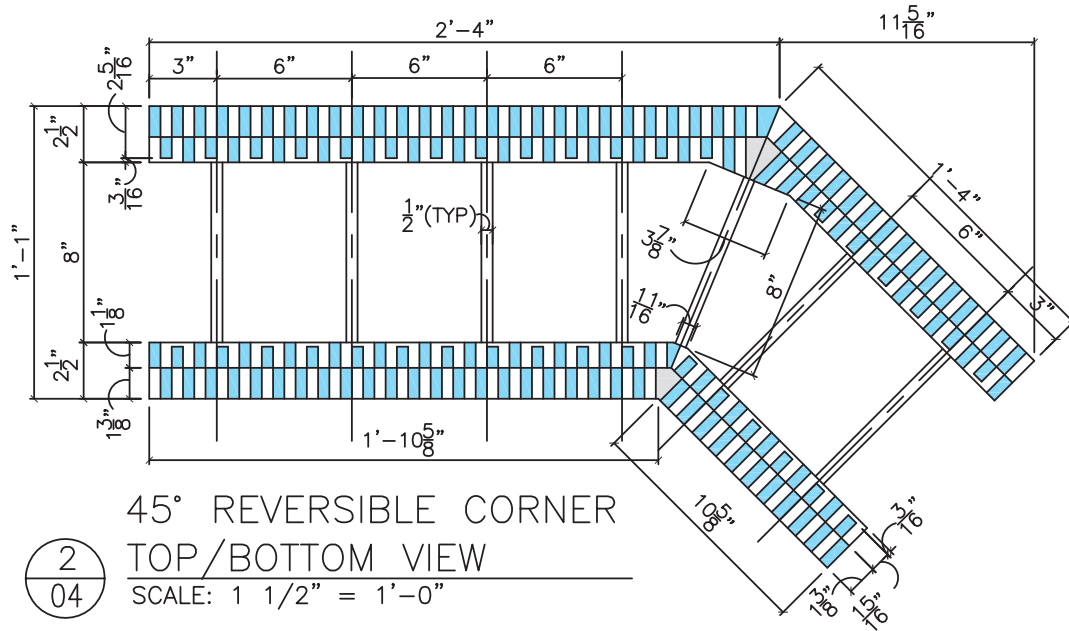
- = POSITIVE PROFILES (TONGUES)
- = NEGATIVE PROFILES (GROOVES)

**NOTE:**

DUE TO VARIATIONS IN SELECTED PRINTER SETTINGS, NOTED SCALES MAY NO LONGER BE APPLICABLE

TOP & BOTTOM DIMENSIONS EQUAL

	<b>8" STRAIGHT BLOCK</b>		
	DATE/REV	2-2-17 / 3	SCALE
NOTES			
9705 N. BROADWAY EXTENSION, SUITE 200, OKLAHOMA CITY, OK 73114 OFFICE: 405-840-3386   TOLL FREE: 866-222-2575   FAX: 831-597-0792 BUILDBLOCK.COM	CONSTRUCTION SHALL BE IN ACCORDANCE WITH ALL APPLICABLE LOCAL AND NATIONAL CODES. ALL DRAWINGS ARE SUBJECT TO CHANGE WITHOUT NOTICE.		3

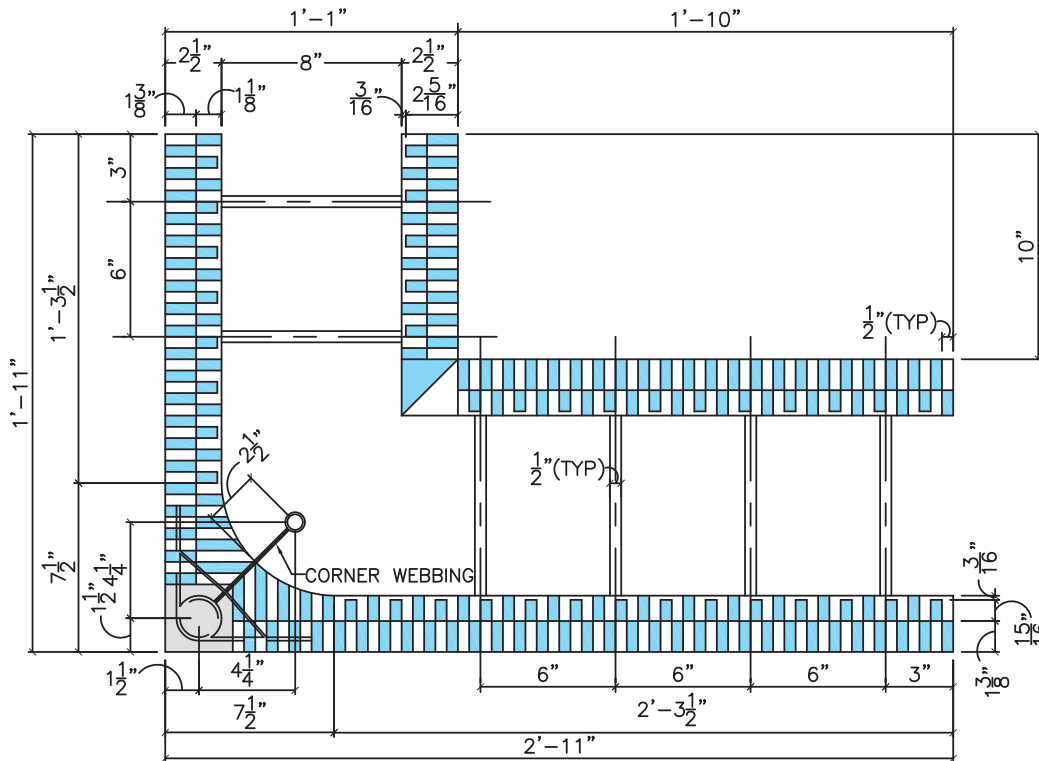


2  
04

45° REVERSIBLE CORNER

TOP/BOTTOM VIEW

SCALE: 1 1/2" = 1'-0"



TYPICAL  
TONGUE &  
GROOVE  
DIMENSIONS

LEGEND

- = POSITIVE PROFILES (TONGUES)
- = 1/2 HEIGHT POSITIVE PROFILES
- = NEGATIVE PROFILES (GROOVES)

REFER TO DETAIL SHEET 01 FOR TYPICAL END VIEW (SIM.)

1  
04

90° REVERSIBLE CORNER

TOP/BOTTOM VIEW

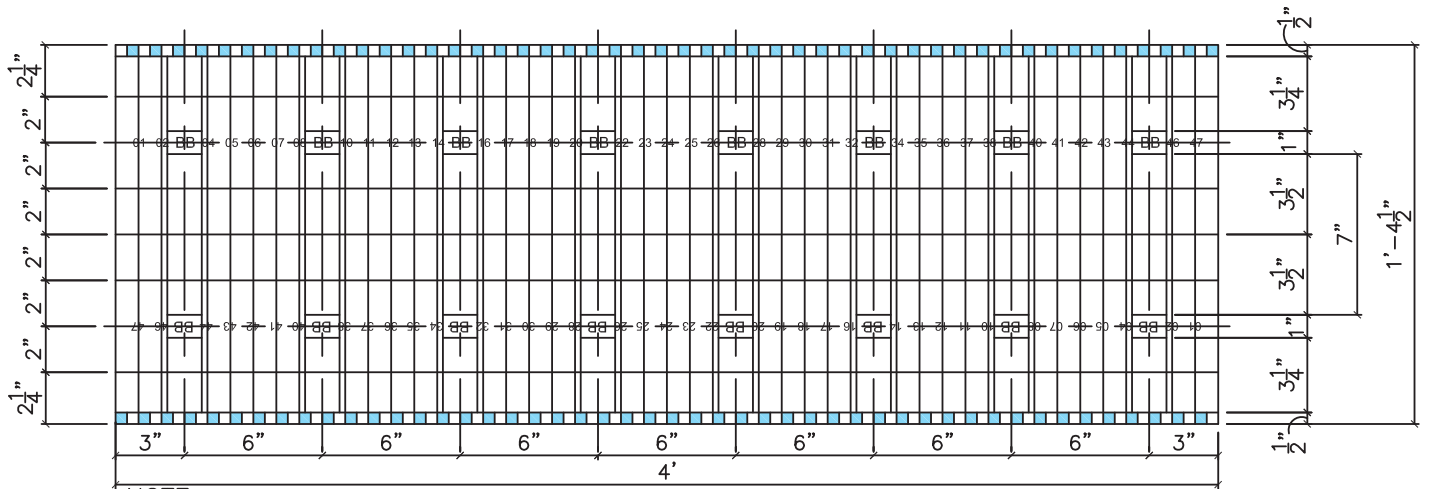
SCALE: 1 1/2" = 1'-0"

NOTE:

DUE TO VARIATIONS IN SELECTED  
 PRINTER SETTINGS, NOTED SCALES  
 MAY NO LONGER BE APPLICABLE

	<b>8" ANGLE BLOCKS</b>				DETAIL SHEET
	DATE/REV	2-2-17 / 3	SCALE	NTS	4
NOTES		CONSTRUCTION SHALL BE IN ACCORDANCE WITH ALL APPLICABLE LOCAL AND NATIONAL CODES. ALL DRAWINGS ARE SUBJECT TO CHANGE WITHOUT NOTICE.			
9705 N. BROADWAY EXTENSION, SUITE 200, OKLAHOMA CITY, OK 73114 OFFICE: 405-840-3386   TOLL FREE: 866-222-2575   FAX: 831-597-0792 BUILDBLOCK.COM					

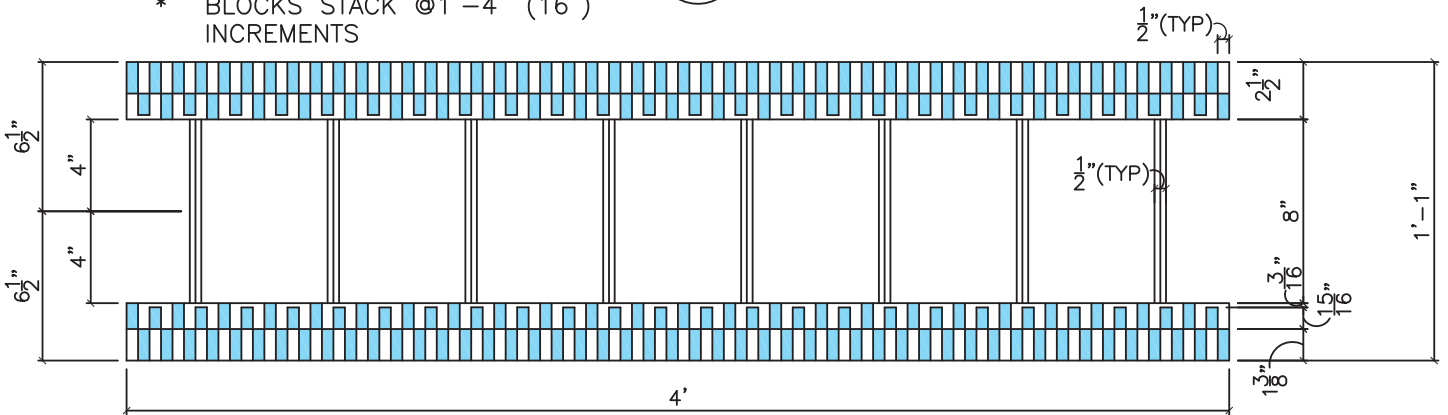




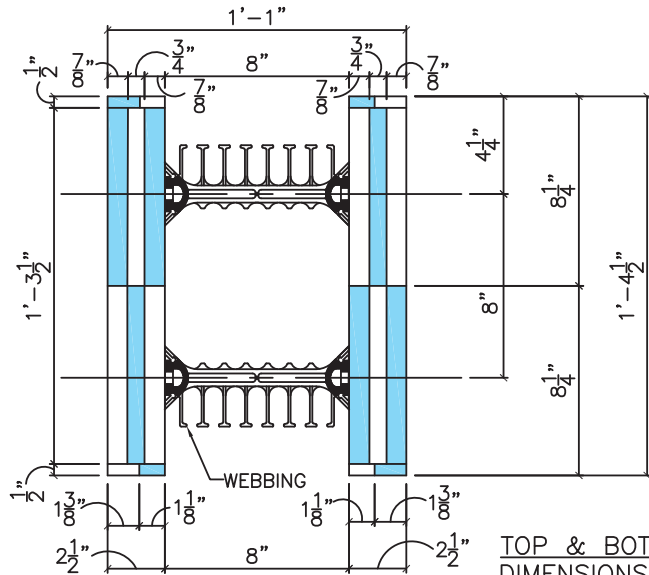
NOTE:

- \* FORM IS REVERSIBLE BOTH VERTICALLY AND HORIZONTALLY
- \* BLOCKS STACK @1'-4" (16") INCREMENTS

**3** FRONT VIEW  
 04a SCALE: 1 1/2" = 1'-0"



**2** TOP/BOTTOM VIEW  
 04a (REVERSIBLE)  
 SCALE: 1 1/2" = 1'-0"



**1** SIDE VIEW  
 04a SCALE: 1 1/2" = 1'-0"

LEGEND

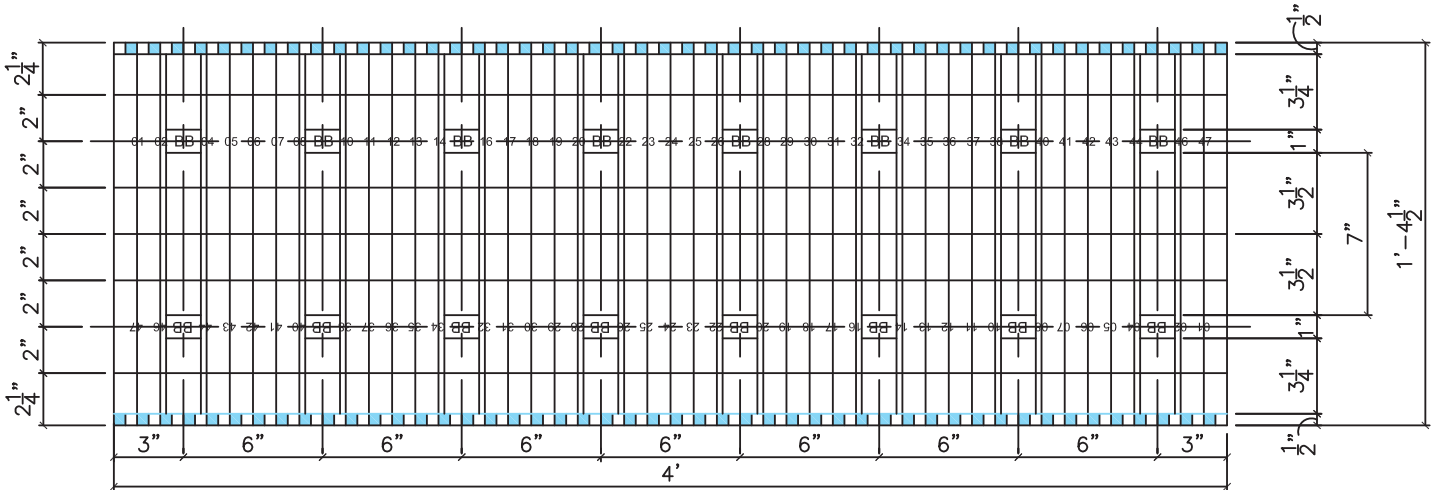
- = POSITIVE PROFILES (TONGUES)
- = NEGATIVE PROFILES (GROOVES)

NOTE:

DUE TO VARIATIONS IN SELECTED PRINTER SETTINGS, NOTED SCALES MAY NO LONGER BE APPLICABLE

TOP & BOTTOM DIMENSIONS EQUAL

	<b>8" KNOCKDOWN STRAIGHT BLOCKS</b>		DATE/REV	2-2-17 / 3	SCALE	NTS	DETAIL SHEET
	NOTES						4A
9705 N. BROADWAY EXTENSION, SUITE 200, OKLAHOMA CITY, OK 73114 OFFICE: 405-840-3386   TOLL FREE: 866-222-2575   FAX: 831-597-0792 BUILDBLOCK.COM	CONSTRUCTION SHALL BE IN ACCORDANCE WITH ALL APPLICABLE LOCAL AND NATIONAL CODES. ALL DRAWINGS ARE SUBJECT TO CHANGE WITHOUT NOTICE.						



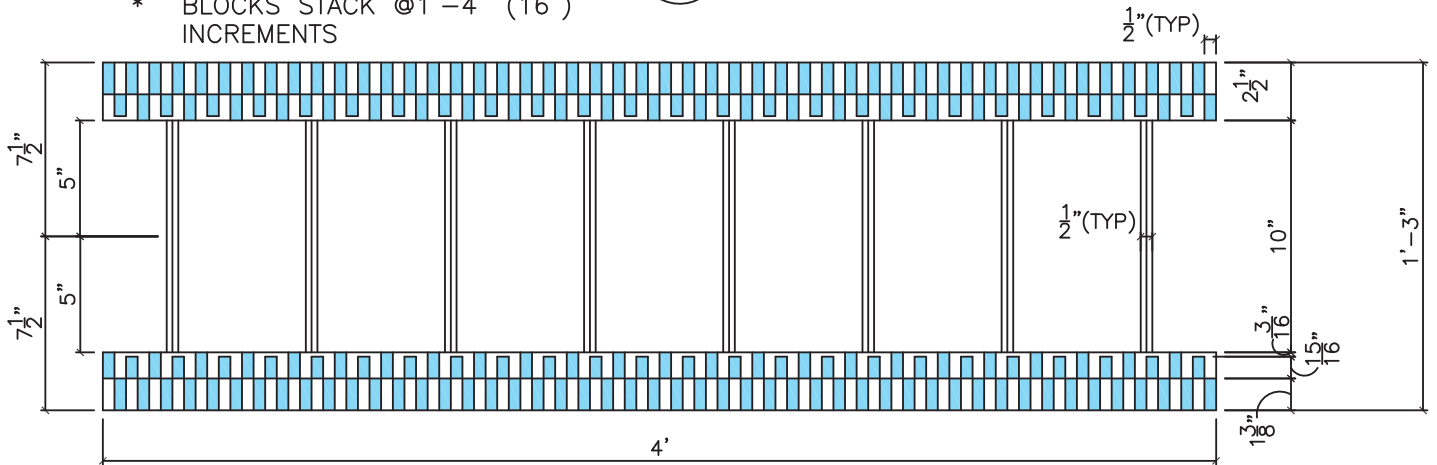
NOTE:

- \* FORM IS REVERSIBLE BOTH VERTICALLY AND HORIZONTALLY
- \* BLOCKS STACK @1'-4" (16") INCREMENTS

3  
04b

FRONT VIEW

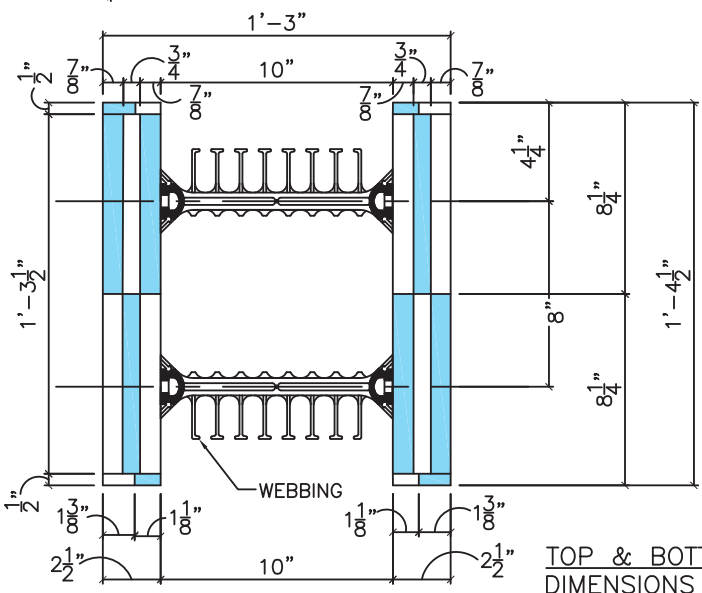
SCALE: 1 1/2" = 1'-0"



TOP/BOTTOM VIEW

(REVERSIBLE)

SCALE: 1 1/2" = 1'-0"



1  
04b

SIDE VIEW

SCALE: 1 1/2" = 1'-0"


LEGEND

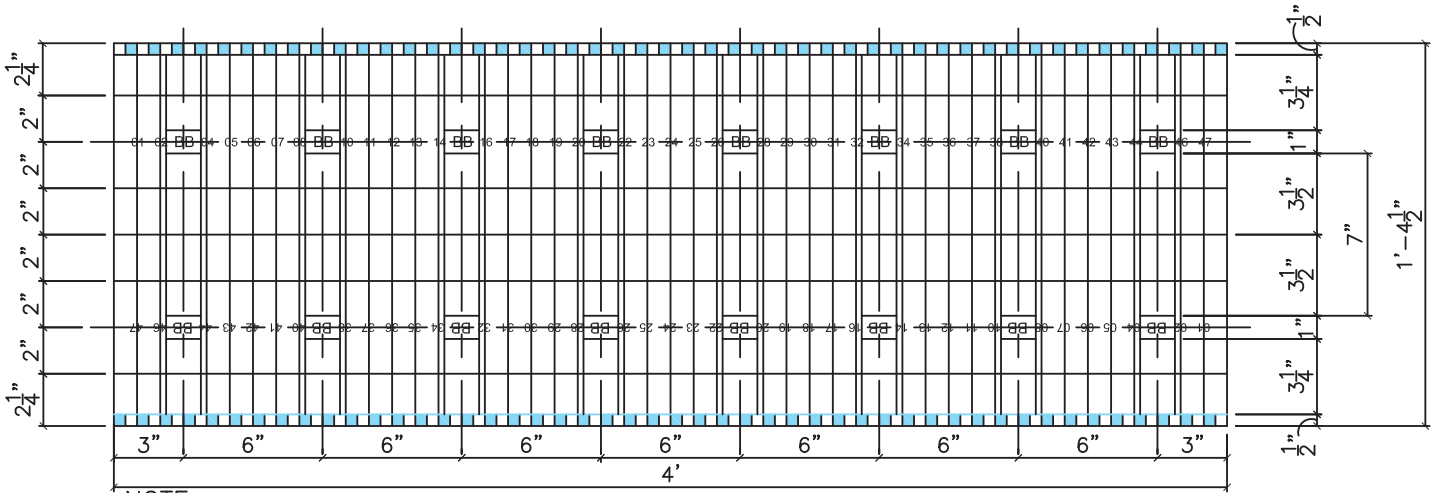
- [Blue shaded box] = POSITIVE PROFILES (TONGUES)
- [White box] = NEGATIVE PROFILES (GROOVES)

NOTE:

DUE TO VARIATIONS IN SELECTED PRINTER SETTINGS, NOTED SCALES MAY NO LONGER BE APPLICABLE

TOP & BOTTOM DIMENSIONS EQUAL

	<p>10" KNOCKDOWN STRAIGHT BLOCKS</p>		<p>DATE/REV 2-2-17 /3</p>	<p>SCALE NTS</p>	<p>DETAIL SHEET</p>
	<p>9705 N. BROADWAY EXTENSION, SUITE 200, OKLAHOMA CITY, OK 73114                  OFFICE: 405-840-3386   TOLL FREE: 866-222-2575   FAX: 831-597-0792                  BUILDBLOCK.COM</p>		<p>CONSTRUCTION SHALL BE IN ACCORDANCE WITH ALL APPLICABLE LOCAL AND NATIONAL CODES. ALL DRAWINGS ARE SUBJECT TO CHANGE WITHOUT NOTICE.</p>		<p><b>4B</b></p>



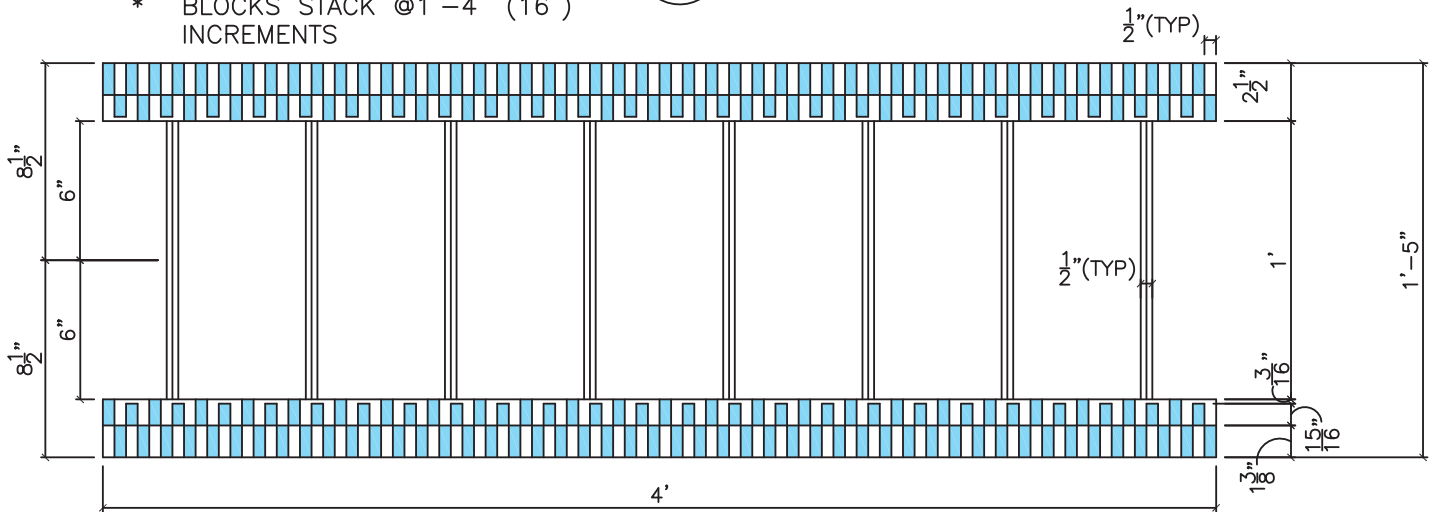
NOTE:

- \* FORM IS REVERSIBLE BOTH VERTICALLY AND HORIZONTALLY
- \* BLOCKS STACK @1'-4" (16") INCREMENTS

3  
04c

FRONT VIEW

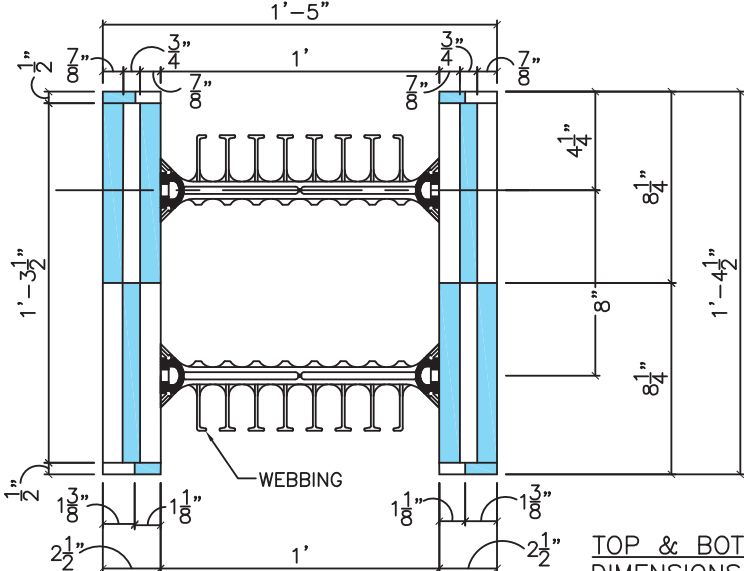
SCALE: 1 1/2" = 1'-0"



TOP/BOTTOM VIEW

(REVERSIBLE)

SCALE: 1 1/2" = 1'-0"



1  
04c

SIDE VIEW

SCALE: 1 1/2" = 1'-0"


LEGEND

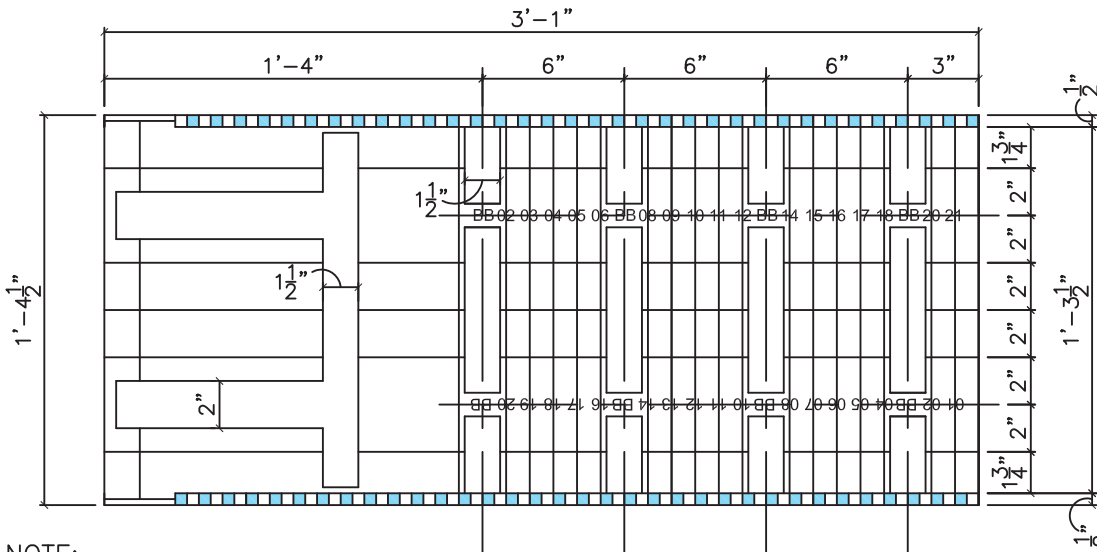
- [Blue shaded box] = POSITIVE PROFILES (TONGUES)
- [White box] = NEGATIVE PROFILES (GROOVES)

NOTE:

DUE TO VARIATIONS IN SELECTED PRINTER SETTINGS, NOTED SCALES MAY NO LONGER BE APPLICABLE

TOP & BOTTOM DIMENSIONS EQUAL

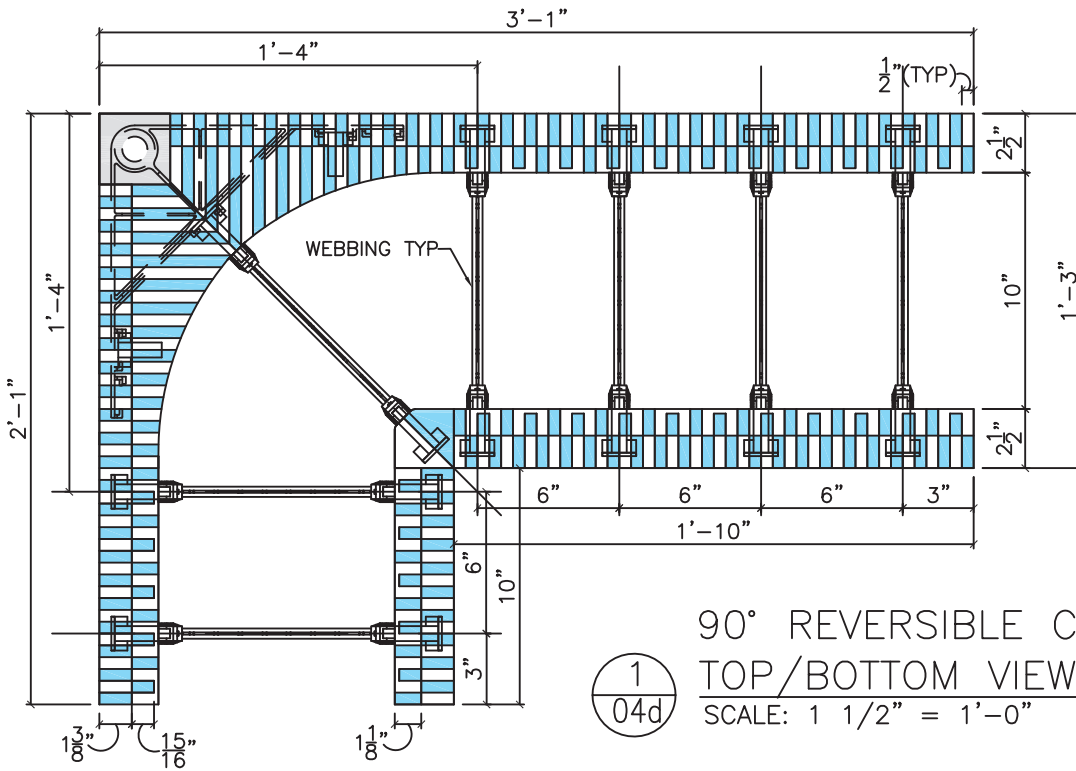
	<p>12" KNOCKDOWN STRAIGHT BLOCKS</p>		<p>DATE/REV 2-2-17 / 3</p>		<p>SCALE NTS</p>	<p>DETAIL SHEET</p>
	<p>9705 N. BROADWAY EXTENSION, SUITE 200, OKLAHOMA CITY, OK 73114                  OFFICE: 405-840-3386   TOLL FREE: 866-222-2575   FAX: 831-597-0792                  BUILDBLOCK.COM</p>		<p>CONSTRUCTION SHALL BE IN ACCORDANCE WITH ALL APPLICABLE LOCAL AND NATIONAL CODES. ALL DRAWINGS ARE SUBJECT TO CHANGE WITHOUT NOTICE.</p>		<p>4C</p>	



NOTE:

- \* FORM IS REVERSIBLE BOTH VERTICALLY AND HORIZONTALLY
- \* BLOCKS STACK @1'-4" (16") INCREMENTS

2 SIDE VIEW  
 04d SCALE: 1 1/2" = 1'-0"



90° REVERSIBLE CORNER

1 TOP/BOTTOM VIEW  
 04d SCALE: 1 1/2" = 1'-0"

LEGEND

- = POSITIVE PROFILES (TONGUES)
- = NEGATIVE PROFILES (GROOVES)
- ◻ = 1/2 HEIGHT POSITIVE PROFILES

NOTE:  
 DUE TO VARIATIONS IN  
 SELECTED PRINTER SETTINGS,  
 NOTED SCALES MAY NO  
 LONGER BE APPLICABLE



10" KNOCKDOWN 90° CORNER BLOCK

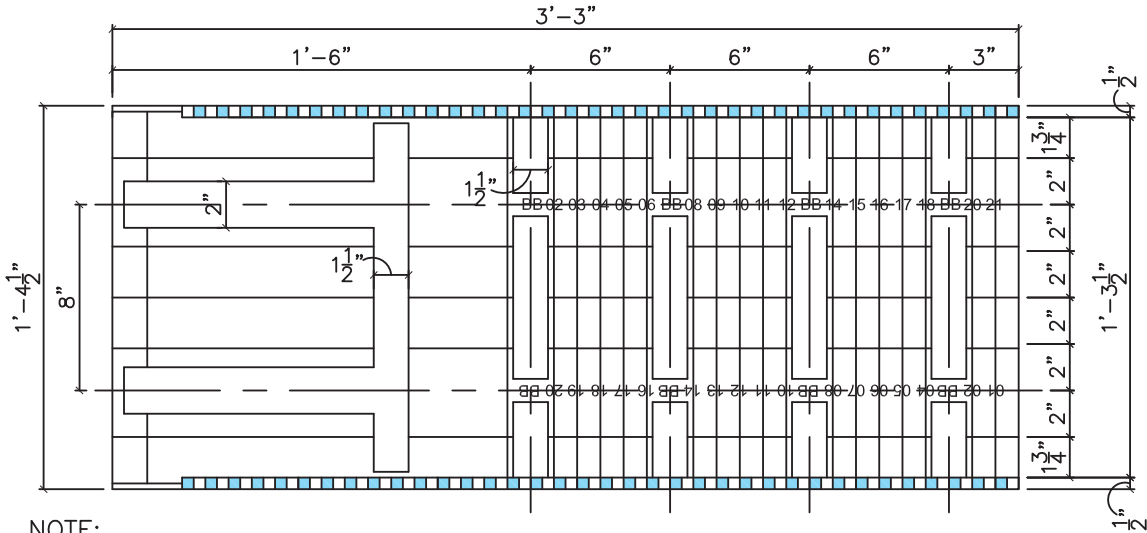
DATE/REV	2-2-17 / 3	SCALE	NTS	DETAIL SHEET
----------	------------	-------	-----	--------------

NOTES	
-------	--

9705 N. BROADWAY EXTENSION, SUITE 200, OKLAHOMA CITY, OK 73114  
 OFFICE: 405-840-3386 | TOLL FREE: 866-222-2575 | FAX: 831-597-0792  
 BUILDBLOCK.COM

CONSTRUCTION SHALL BE IN ACCORDANCE WITH ALL APPLICABLE  
 LOCAL AND NATIONAL CODES. ALL DRAWINGS ARE SUBJECT TO  
 CHANGE WITHOUT NOTICE.

4D



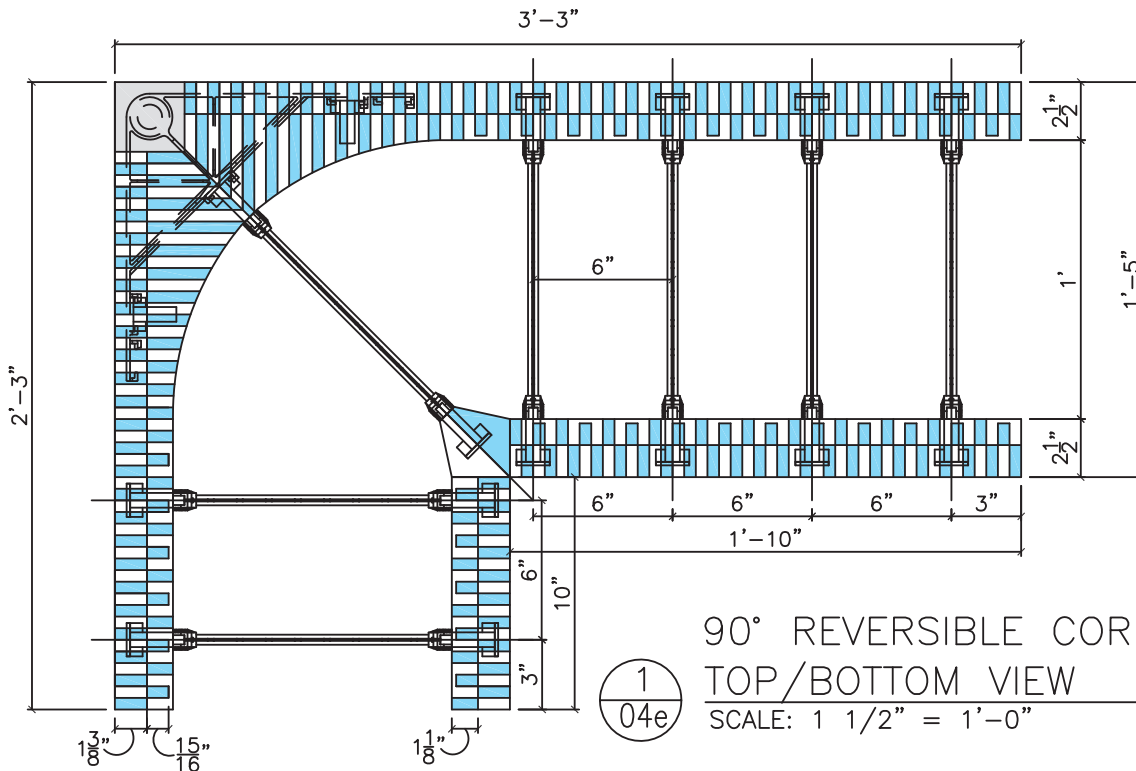
NOTE:

- \* FORM IS REVERSIBLE BOTH VERTICALLY AND HORIZONTALLY
- \* BLOCKS STACK @1'-4" (16") INCREMENTS

2  
04e

SIDE VIEW

SCALE: 1 1/2" = 1'-0"



1  
04e

90° REVERSIBLE CORNER

TOP/BOTTOM VIEW

SCALE: 1 1/2" = 1'-0"

LEGEND

- = POSITIVE PROFILES (TONGUES)
- = NEGATIVE PROFILES (GROOVES)
- ▒ = 1/2 HEIGHT POSITIVE PROFILES

NOTE:

DUE TO VARIATIONS IN SELECTED PRINTER SETTINGS, NOTED SCALES MAY NO LONGER BE APPLICABLE



9705 N. BROADWAY EXTENSION, SUITE 200, OKLAHOMA CITY, OK 73114  
 OFFICE: 405-840-3386 | TOLL FREE: 866-222-2575 | FAX: 831-597-0792  
 BUILDBLOCK.COM

12" KNOCKDOWN 90° CORNER BLOCK

DATE/REV 2-2-17 /3

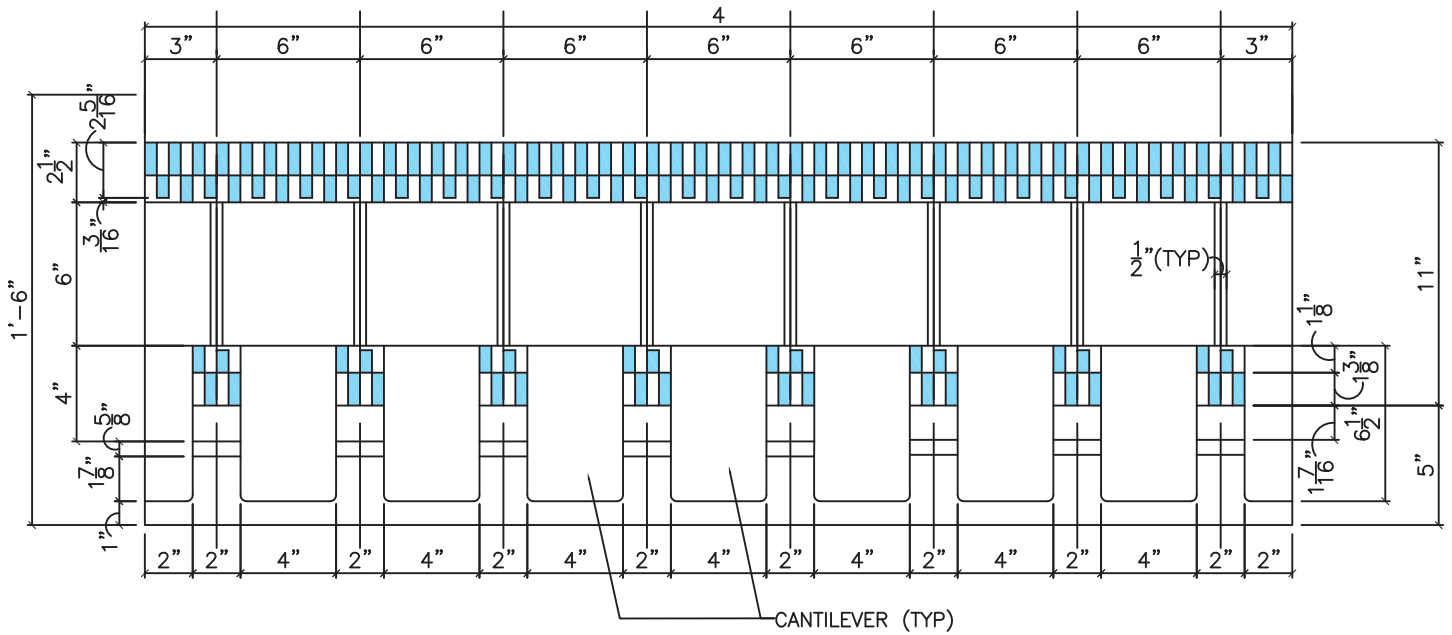
SCALE NTS

DETAIL SHEET

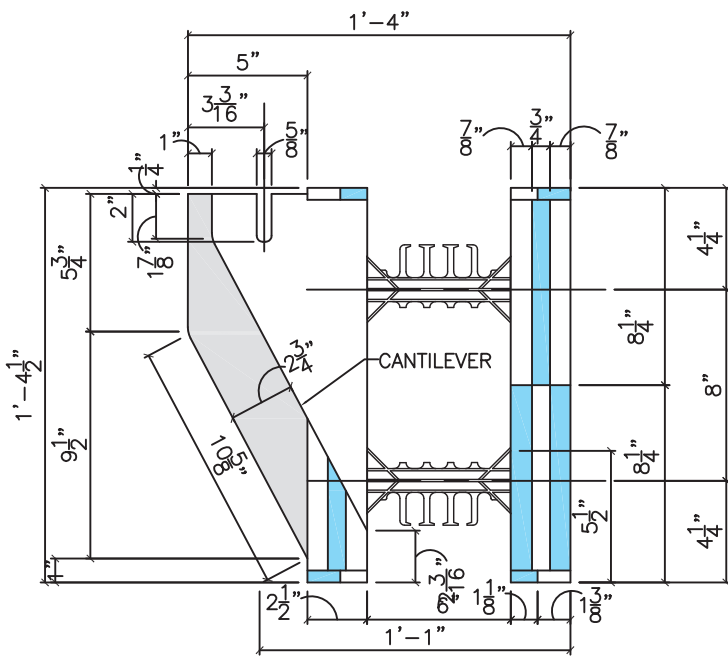
NOTES

CONSTRUCTION SHALL BE IN ACCORDANCE WITH ALL APPLICABLE LOCAL AND NATIONAL CODES. ALL DRAWINGS ARE SUBJECT TO CHANGE WITHOUT NOTICE.

4E



2 TOP VIEW  
 05 SCALE: 1 1/2" = 1'-0"



1 END VIEW  
 05 SCALE: 1 1/2" = 1'-0"

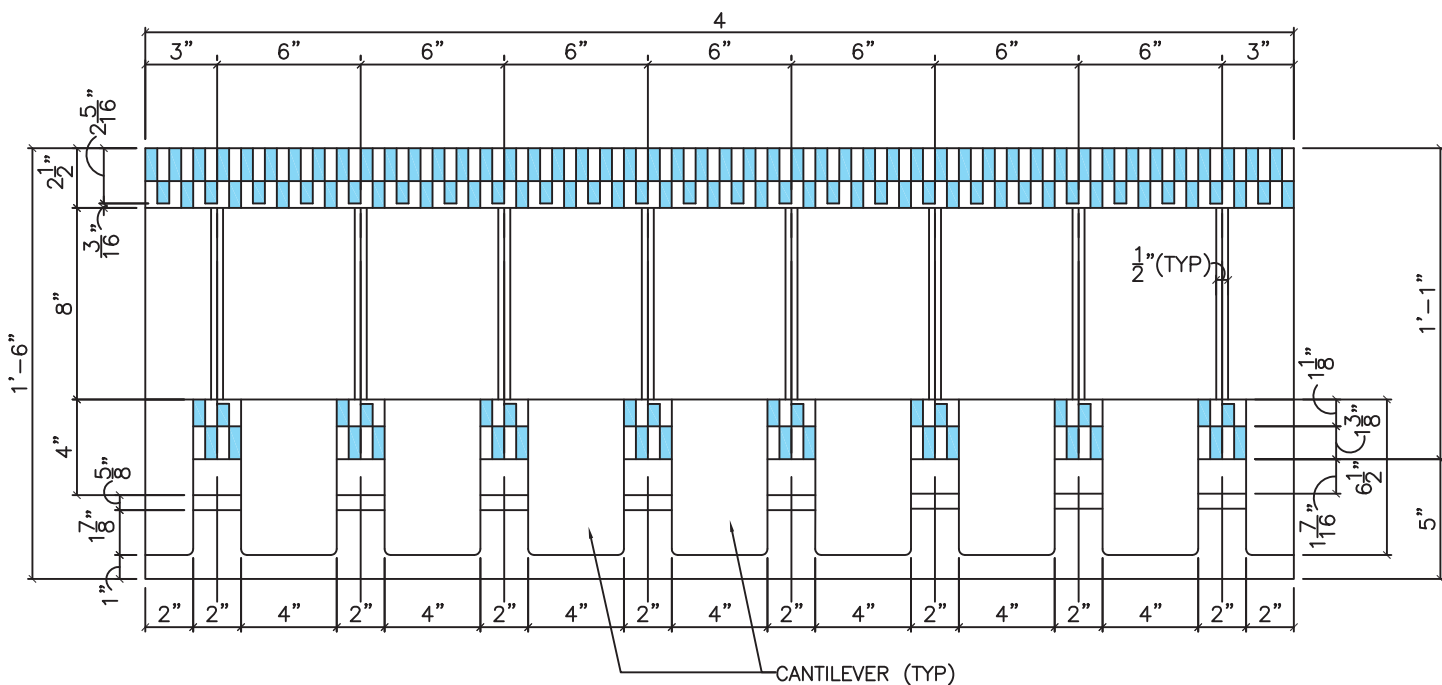
LEGEND

- = POSITIVE PROFILES (TONGUES)
- = NEGATIVE PROFILES (GROOVES)
- = BASELINE

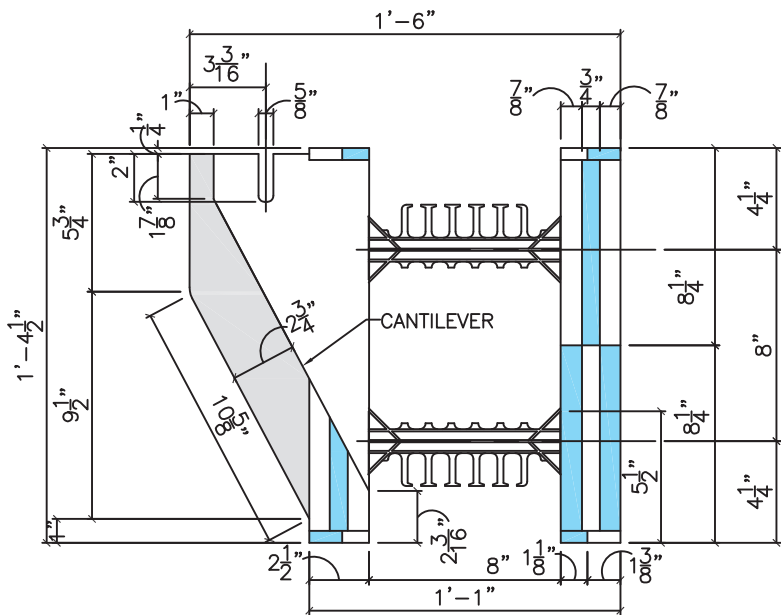
NOTE:

DUE TO VARIATIONS IN SELECTED  
 PRINTER SETTINGS, NOTED SCALES  
 MAY NO LONGER BE APPLICABLE

	<b>6" LEDGE BLOCK</b>		DATE/REV	2-2-17 / 3	SCALE	NTS	DETAIL SHEET
			NOTES				
9705 N. BROADWAY EXTENSION, SUITE 200, OKLAHOMA CITY, OK 73114 OFFICE: 405-840-3386   TOLL FREE: 866-222-2575   FAX: 831-597-0792 BUILDBLOCK.COM	CONSTRUCTION SHALL BE IN ACCORDANCE WITH ALL APPLICABLE LOCAL AND NATIONAL CODES. ALL DRAWINGS ARE SUBJECT TO CHANGE WITHOUT NOTICE.				5		



2 TOP VIEW  
05a SCALE: 1 1/2" = 1'-0"



1 END VIEW  
05a SCALE: 1 1/2" = 1'-0"

LEGEND

- = POSITIVE PROFILES (TONGUES)
- = NEGATIVE PROFILES (GROOVES)
- = BASELINE

NOTE:

DUE TO VARIATIONS IN SELECTED  
LOCAL AND NATIONAL CODES, NOTED SCALES  
MAY NO LONGER BE APPLICABLE



9705 N. BROADWAY EXTENSION, SUITE 200, OKLAHOMA CITY, OK 73114  
OFFICE: 405-840-3386 | TOLL FREE: 866-222-2575 | FAX: 831-597-0792  
BUILDBLOCK.COM

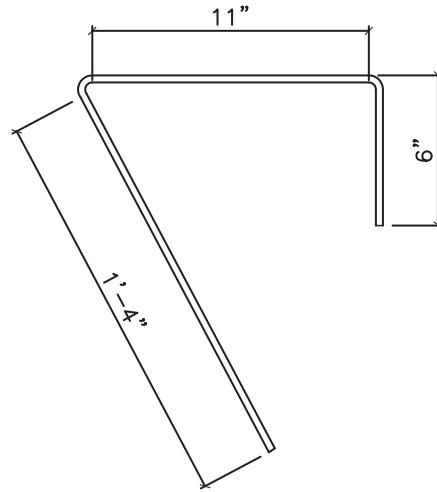
8" LEDGE BLOCK

DATE/REV	2-2-17 / 3	SCALE	NTS	DETAIL SHEET
----------	------------	-------	-----	--------------

NOTES	
-------	--

CONSTRUCTION SHALL BE IN ACCORDANCE WITH ALL APPLICABLE  
LOCAL AND NATIONAL CODES. ALL DRAWINGS ARE SUBJECT TO  
CHANGE WITHOUT NOTICE.

5A



① STIRRUP DETAIL  
 05a1 SCALE: 1 1/2" = 1'-0"

BRICK LEDGE STIRRUP REINFORCEMENT IS USED TO ADD SHEAR RESISTANCE TO THE BRICK LEDGE FORM. THE STIRRUPS SHOULD BE PRE-BENT FOR EASY INSTALLATION. USE DIMENSIONS FOR THE APPROPRIATE BRICK LEDGE FORM SIZE FOR STIRRUP.

STIRRUPS SHOULD BE #3 REBAR MIN. GRADE 40

STIRRUP SPACING:


<500 LB/LFT – 24" O.C.

<1000 LB/LFT – 18" O.C.

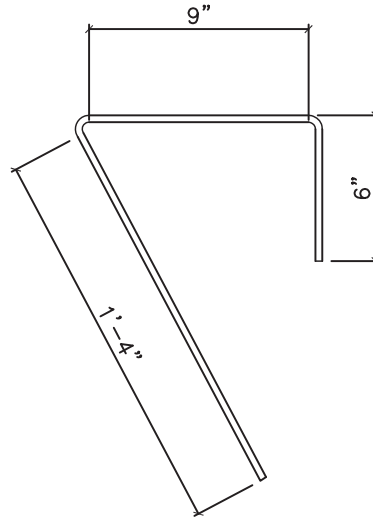
<1500 LB/LFT – 12" O.C.

TYP VENEER WEIGHT (LB/FT)		
HEIGHT (FT)	3½ BRICK	4" STONE OR CONCRETE
8	290	400
10	360	500
12	440	600
14	510	700
16	580	800
18	660	900
20	730	1000
22	800	1100
24	880	1200
26	950	1300
28	1020	1400
30	1090	1500

**NOTE:**  
 DUE TO VARIATIONS IN SELECTED PRINTER SETTINGS, NOTED SCALES MAY NO LONGER BE APPLICABLE

	<b>8" LEDGE BLOCK STIRRUP REINFORCEMENT</b>			
	DATE/REV	2-2-17 / 3	SCALE	NTS
NOTES				<b>5A1</b>
9705 N. BROADWAY EXTENSION, SUITE 200, OKLAHOMA CITY, OK 73114 OFFICE: 405-840-3386   TOLL FREE: 866-222-2575   FAX: 831-597-0792 BUILDBLOCK.COM	CONSTRUCTION SHALL BE IN ACCORDANCE WITH ALL APPLICABLE LOCAL AND NATIONAL CODES. ALL DRAWINGS ARE SUBJECT TO CHANGE WITHOUT NOTICE.			





① STIRRUP DETAIL  
 05a2 SCALE: 1 1/2" = 1'-0"

BRICK LEDGE STIRRUP REINFORCEMENT IS USED TO ADD SHEAR RESISTANCE TO THE BRICK LEDGE FORM. THE STIRRUPS SHOULD BE PRE-BENT FOR EASY INSTALLATION. USE DIMENSIONS FOR THE APPROPRIATE BRICK LEDGE FORM SIZE FOR STIRRUP.

STIRRUPS SHOULD BE #3 REBAR MIN. GRADE 40

STIRRUP SPACING:


<500 LB/LFT – 24" O.C.

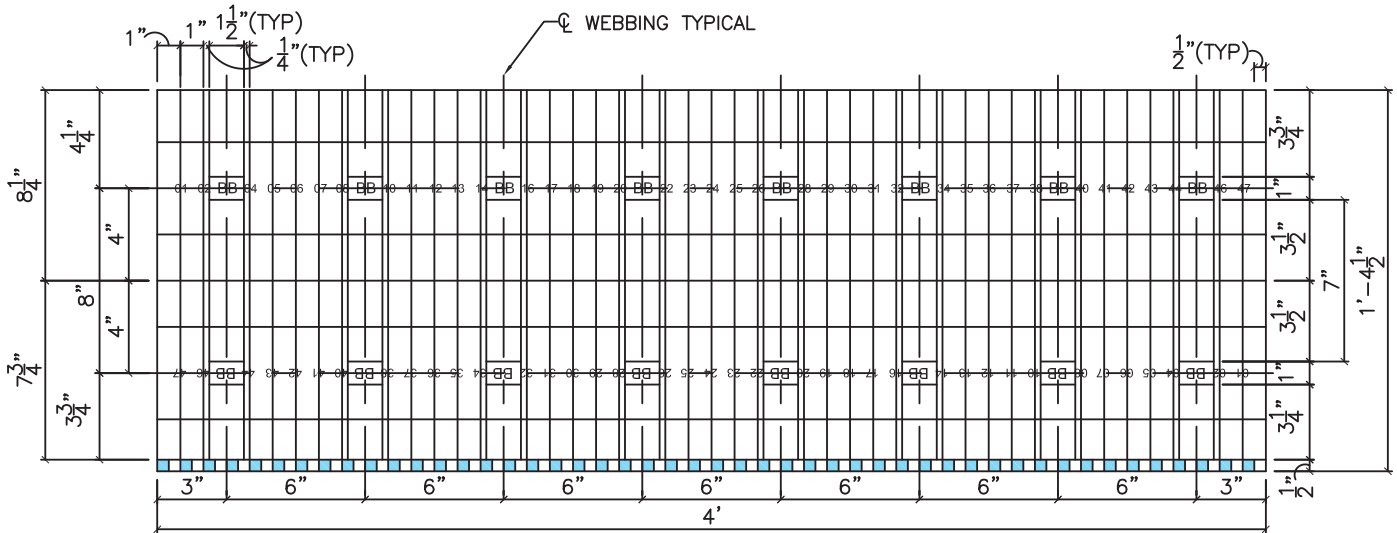
<1000 LB/LFT – 18" O.C.

<1500 LB/LFT – 12" O.C.

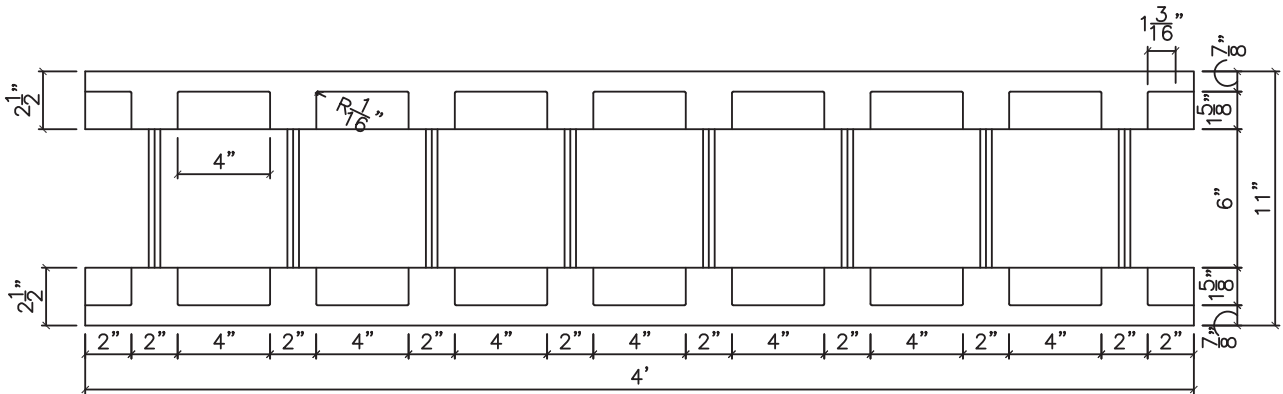
TYP VENEER WEIGHT (LB/FT)		
HEIGHT (FT)	3/2 BRICK	4" STONE OR CONCRETE
8	290	400
10	360	500
12	440	600
14	510	700
16	580	800
18	660	900
20	730	1000
22	800	1100
24	880	1200
26	950	1300
28	1020	1400
30	1090	1500

**NOTE:**  
 DUE TO VARIATIONS IN SELECTED PRINTER SETTINGS, NOTED SCALES MAY NO LONGER BE APPLICABLE

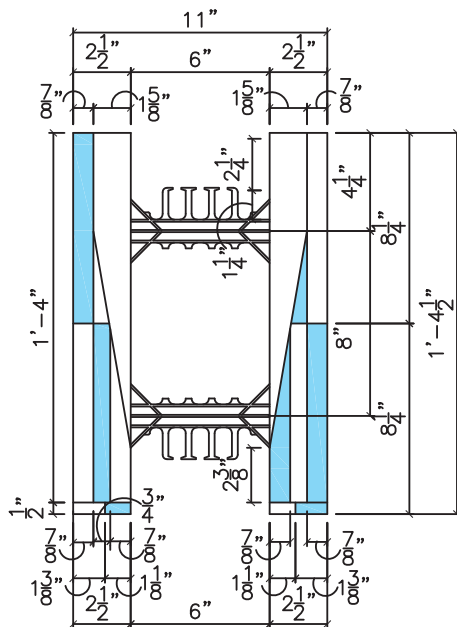
	<b>6" LEDGE BLOCK STIRRUP REINFORCEMENT</b>				
	DATE/REV	2-2-17 / 3	SCALE	NTS	DETAIL SHEET
	NOTES			<b>5A2</b>	
9705 N. BROADWAY EXTENSION, SUITE 200, OKLAHOMA CITY, OK 73114 OFFICE: 405-840-3386   TOLL FREE: 866-222-2575   FAX: 831-597-0792 BUILDBLOCK.COM	CONSTRUCTION SHALL BE IN ACCORDANCE WITH ALL APPLICABLE LOCAL AND NATIONAL CODES. ALL DRAWINGS ARE SUBJECT TO CHANGE WITHOUT NOTICE.				



\*BLOCKS STACK @1'4" (16") INCREMENTS 3 FRONT VIEW  
05b SCALE: 1 1/2" = 1'-0"



2 TOP/BOTTOM VIEW  
05b SCALE: 1 1/2" = 1'-0"



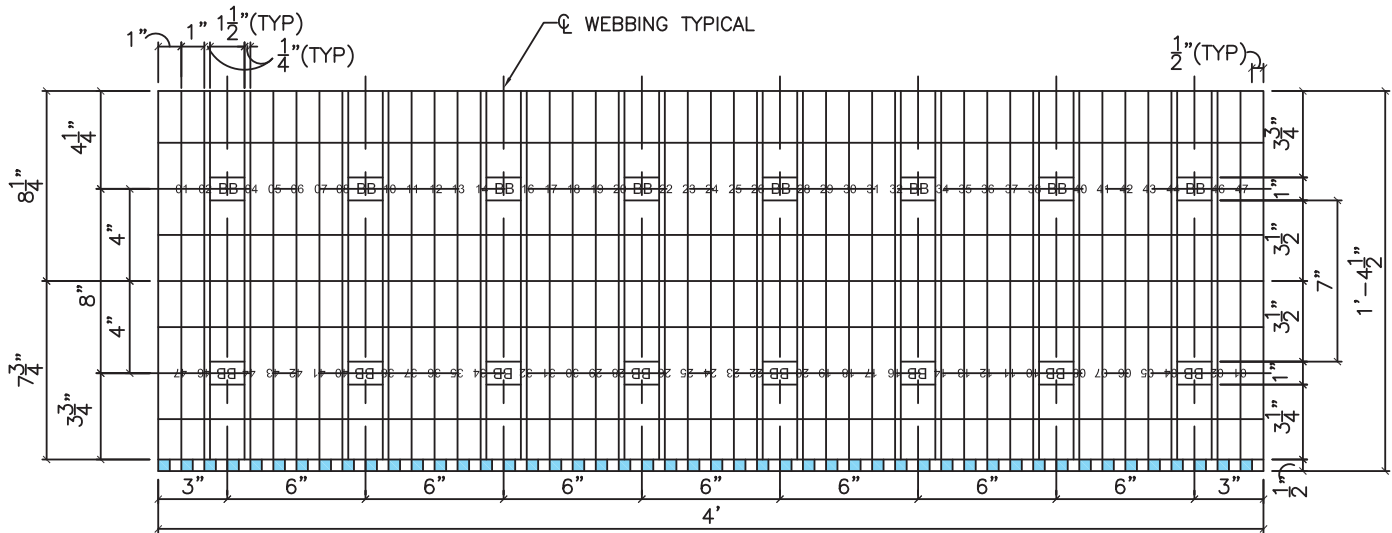
1 SIDE VIEW  
05b SCALE: 1 1/2" = 1'-0"

LEGEND

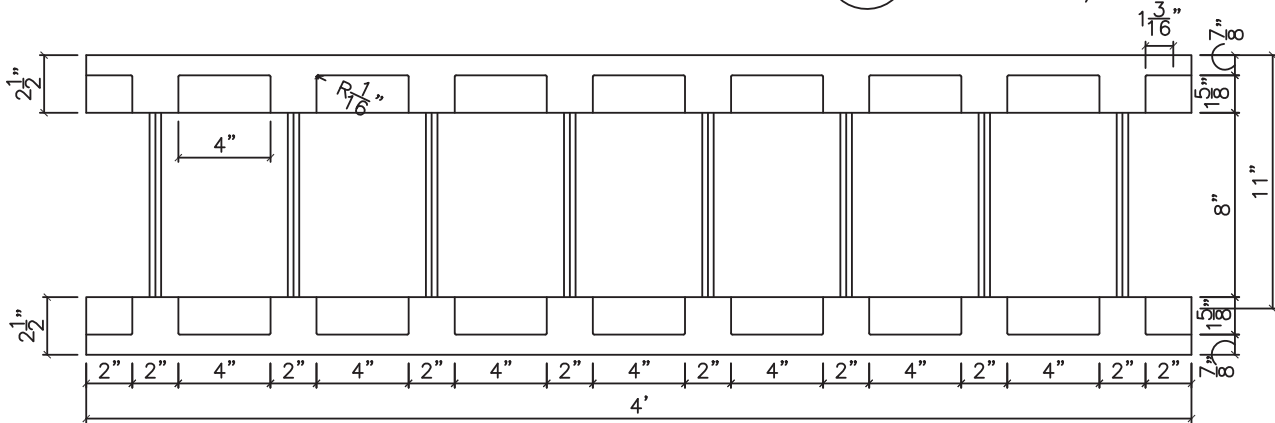
- = POSITIVE PROFILES (TONGUES)
- = NEGATIVE PROFILES (GROOVES)

NOTE:  
THE BLUE AREA INSIDE THE  
RED IS SOLID BELOW THE RED

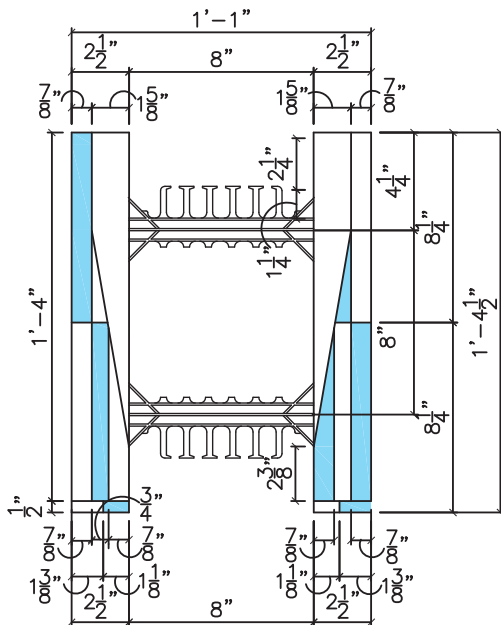
	<b>6" TAPER TOP BLOCK</b>		DATE/REV 2-2-17 / 3		SCALE NTS	DETAIL SHEET
	NOTES		CONSTRUCTION SHALL BE IN ACCORDANCE WITH ALL APPLICABLE LOCAL AND NATIONAL CODES. ALL DRAWINGS ARE SUBJECT TO CHANGE WITHOUT NOTICE.		5B	
9705 N. BROADWAY EXTENSION, SUITE 200, OKLAHOMA CITY, OK 73114 OFFICE: 405-840-3386   TOLL FREE: 866-222-2575   FAX: 831-597-0792 BUILDBLOCK.COM						



\*BLOCKS STACK @1'4" (16") INCREMENTS 3 FRONT VIEW  
05c SCALE: 1 1/2" = 1'-0"



2 TOP/BOTTOM VIEW  
05c SCALE: 1 1/2" = 1'-0"



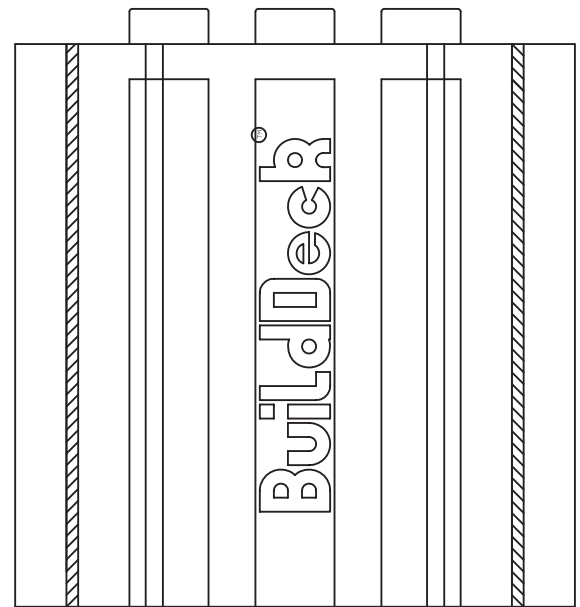
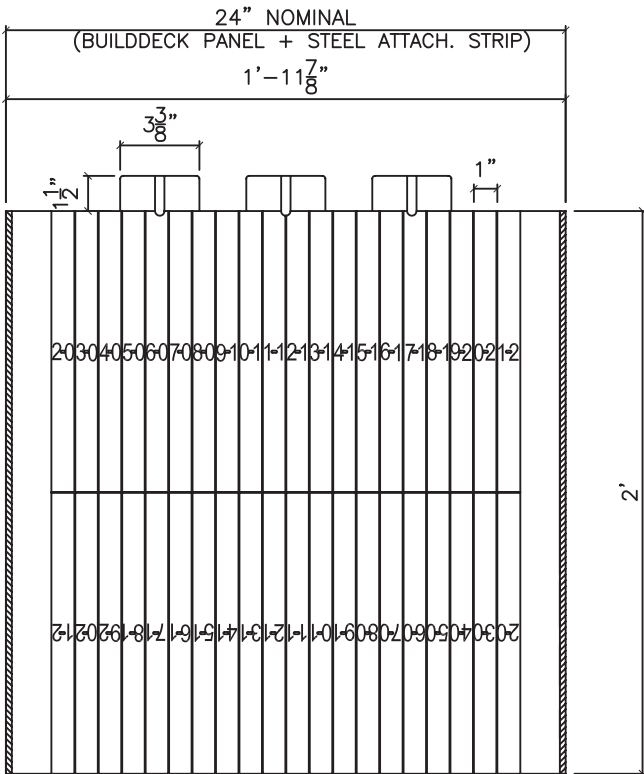
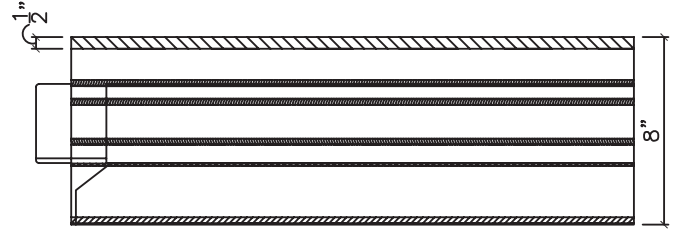
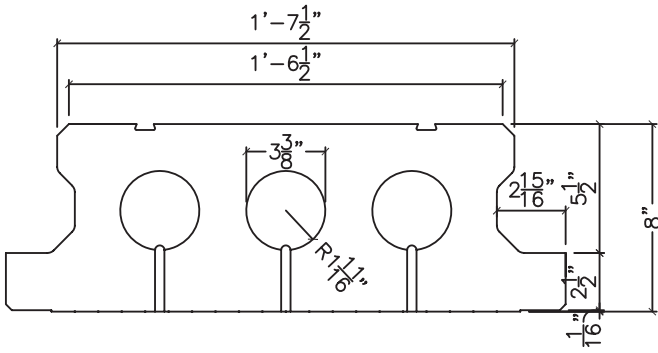
1 SIDE VIEW  
05c SCALE: 1 1/2" = 1'-0"

LEGEND

- = POSITIVE PROFILES (TONGUES)
- = NEGATIVE PROFILES (GROOVES)

NOTE:  
 THE BLUE AREA INSIDE THE  
 RED IS SOLID BELOW THE RED

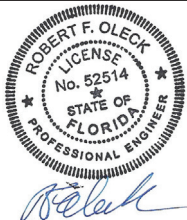
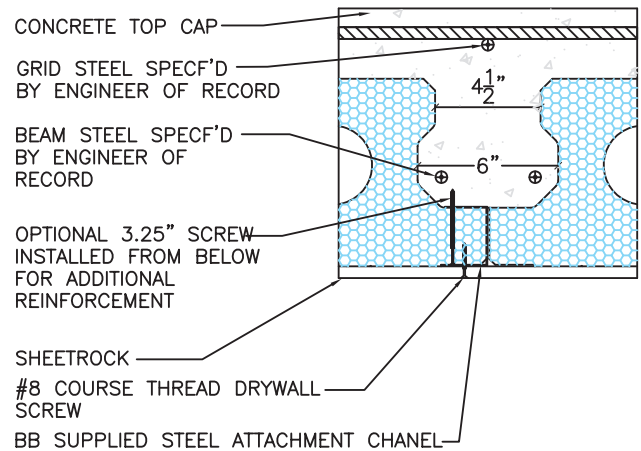
	<b>8" TAPER TOP BLOCK</b>		DATE/REV	2-2-17 / 3	SCALE	NTS	DETAIL SHEET
	NOTES					5C	
9705 N. BROADWAY EXTENSION, SUITE 200, OKLAHOMA CITY, OK 73114 OFFICE: 405-840-3386   TOLL FREE: 866-222-2575   FAX: 831-597-0792 BUILDBLOCK.COM	CONSTRUCTION SHALL BE IN ACCORDANCE WITH ALL APPLICABLE LOCAL AND NATIONAL CODES. ALL DRAWINGS ARE SUBJECT TO CHANGE WITHOUT NOTICE.						



NOTE:  
 ALL CONCRETE AND STEEL DESIGN MUST BE APPROVED BY THE PROJECT SPECIFIC ENGINEER OF RECORD

NOTE:  
 EPS RISERS OF VARYING HEIGHTS MAY BE ADDED TO THE TOP OF BUILDDECK PANELS TO ADJUST HEIGHTS ACCORDING TO ENGINEERED SPECIFICATIONS.

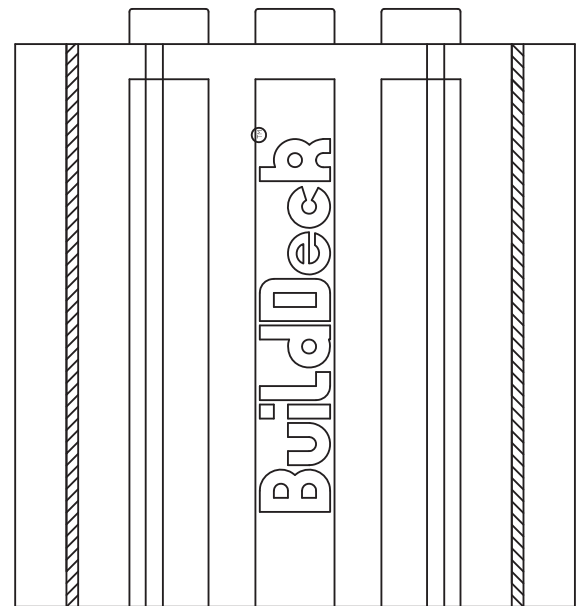
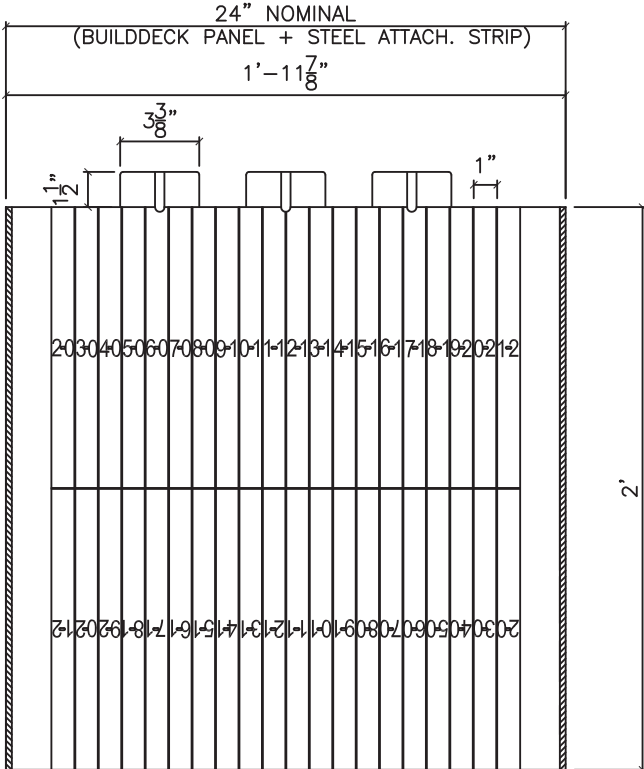
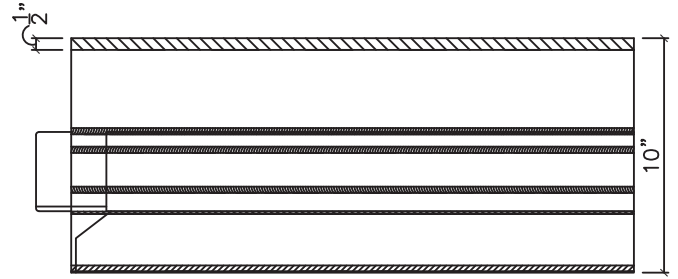
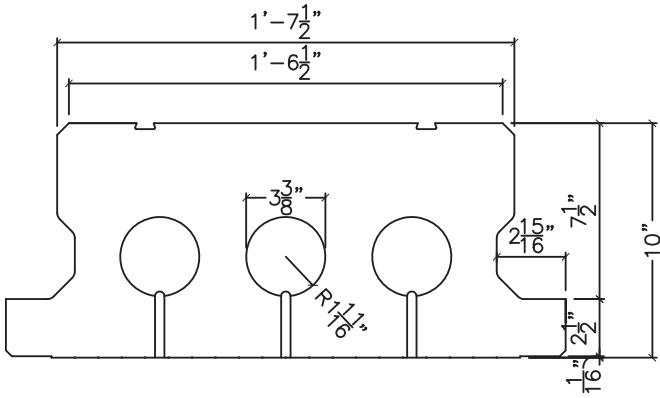
NOTE:  
 DUE TO VARIATIONS IN PRINTERS AND PRINT SETTINGS, THIS DETAIL MAY OR MAY NOT BE TO SCALE.



9705 N. BROADWAY EXTENSION, SUITE 200, OKLAHOMA CITY, OK 73114  
 OFFICE: 405-840-3386 | TOLL FREE: 866-222-2575 | FAX: 831-597-0792  
 BUILDDECK.COM

**BUILDDECK 8"**

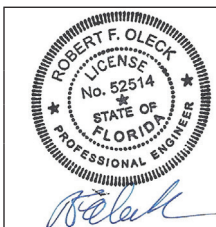
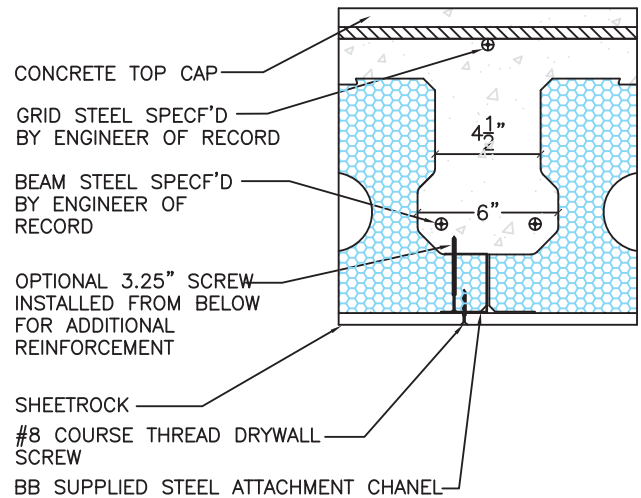
DATE/REV	11-17-09	SCALE	NTS	DETAIL SHEET
NOTES	BD-12+2			<b>5D</b>
CONSTRUCTION SHALL BE IN ACCORDANCE WITH ALL APPLICABLE LOCAL AND NATIONAL CODES. ALL DRAWINGS ARE SUBJECT TO CHANGE WITHOUT NOTICE.				



NOTE:  
ALL CONCRETE AND STEEL DESIGN MUST BE APPROVED BY THE PROJECT SPECIFIC ENGINEER OF RECORD

NOTE:  
EPS RISERS OF VARYING HEIGHTS MAY BE ADDED TO THE TOP OF BUILDDECK PANELS TO ADJUST HEIGHTS ACCORDING TO ENGINEERED SPECIFICATIONS.

NOTE:  
DUE TO VARIATIONS IN PRINTERS AND PRINT SETTINGS, THIS DETAIL MAY OR MAY NOT BE TO SCALE.



9705 N. BROADWAY EXTENSION, SUITE 200, OKLAHOMA CITY, OK 73114  
OFFICE: 405-840-3386 | TOLL FREE: 866-222-2575 | FAX: 831-597-0792  
BUILDDECK.COM

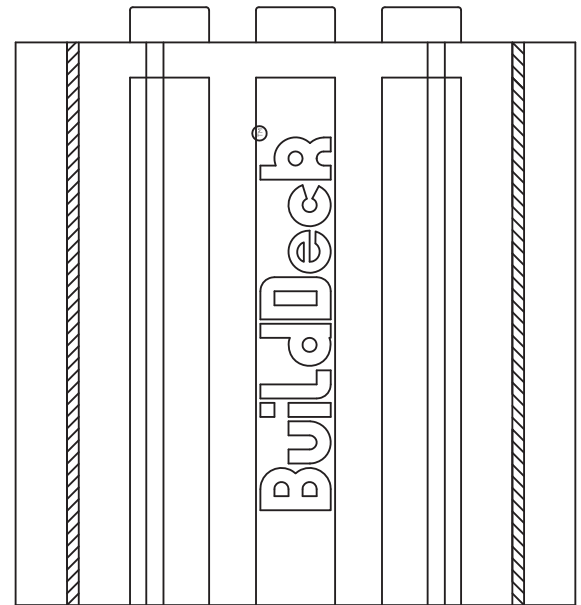
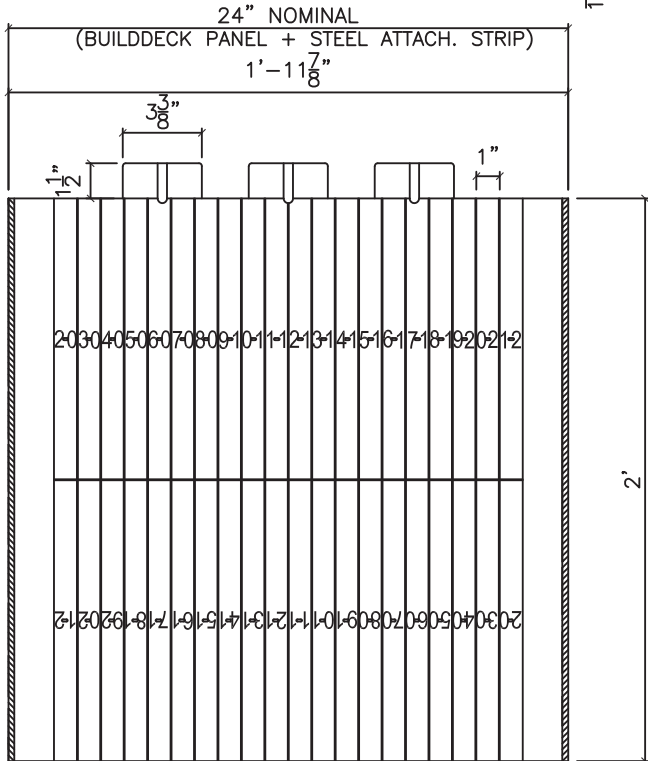
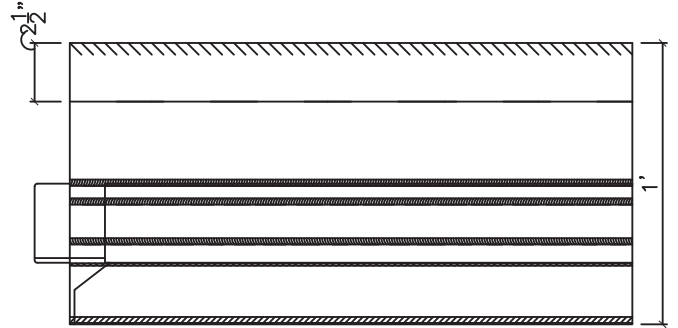
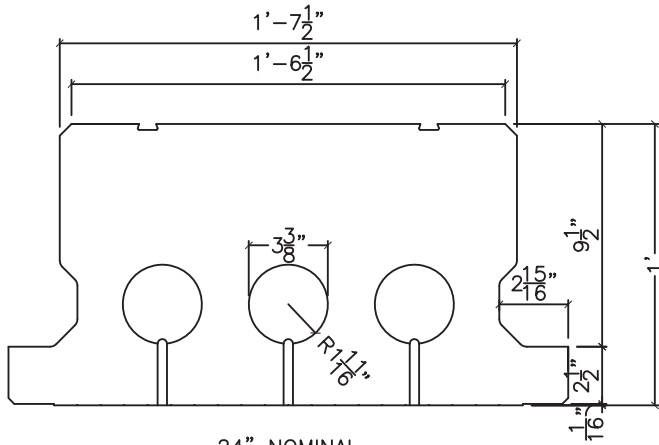
BUILDDECK 10"

DATE/REV	11-17-09	SCALE	NTS	DETAIL SHEET
----------	----------	-------	-----	--------------

NOTES	
-------	--

CONSTRUCTION SHALL BE IN ACCORDANCE WITH ALL APPLICABLE LOCAL AND NATIONAL CODES. ALL DRAWINGS ARE SUBJECT TO CHANGE WITHOUT NOTICE.

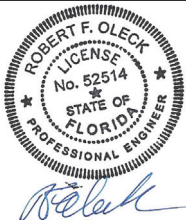
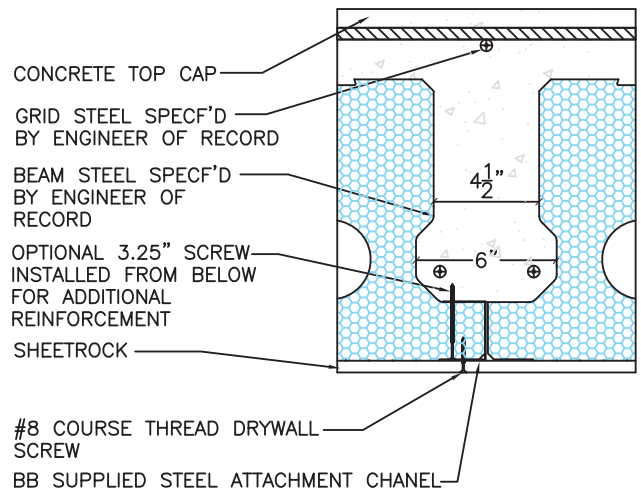
5E



NOTE:  
 ALL CONCRETE AND STEEL DESIGN MUST BE APPROVED BY THE PROJECT SPECIFIC ENGINEER OF RECORD

NOTE:  
 EPS RISERS OF VARYING HEIGHTS MAY BE ADDED TO THE TOP OF BUILDDECK PANELS TO ADJUST HEIGHTS ACCORDING TO ENGINEER SPECIFICATIONS.

NOTE:  
 DUE TO VARIATIONS IN PRINTERS AND PRINT SETTINGS, THIS DETAIL MAY OR MAY NOT BE TO SCALE.



9705 N. BROADWAY EXTENSION, SUITE 200, OKLAHOMA CITY, OK 73114  
 OFFICE: 405-840-3386 | TOLL FREE: 866-222-2575 | FAX: 831-597-0792  
 BUILDDECK.COM

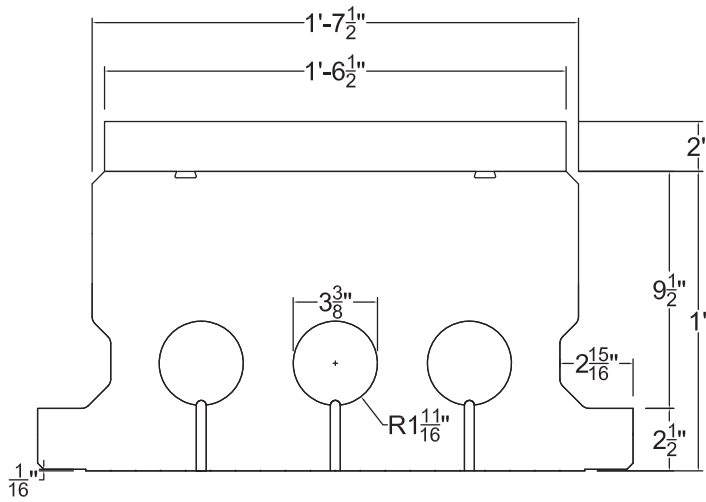
**BUILDDECK 12**

DATE/REV	11-17-09	SCALE	NTS	DETAIL SHEET
----------	----------	-------	-----	--------------

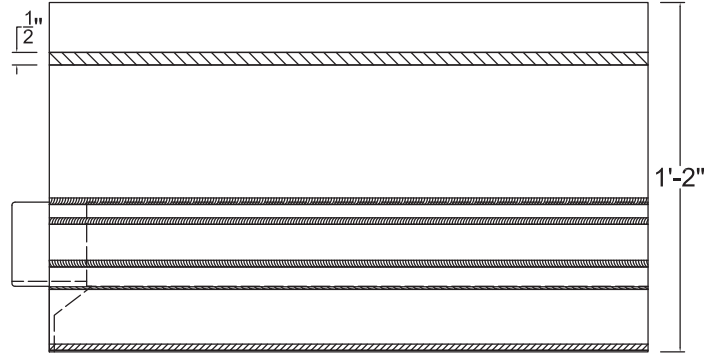
NOTES	
-------	--

CONSTRUCTION SHALL BE IN ACCORDANCE WITH ALL APPLICABLE LOCAL AND NATIONAL CODES. ALL DRAWINGS ARE SUBJECT TO CHANGE WITHOUT NOTICE.

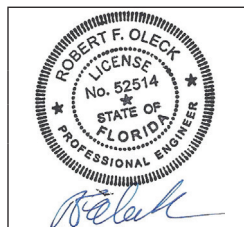
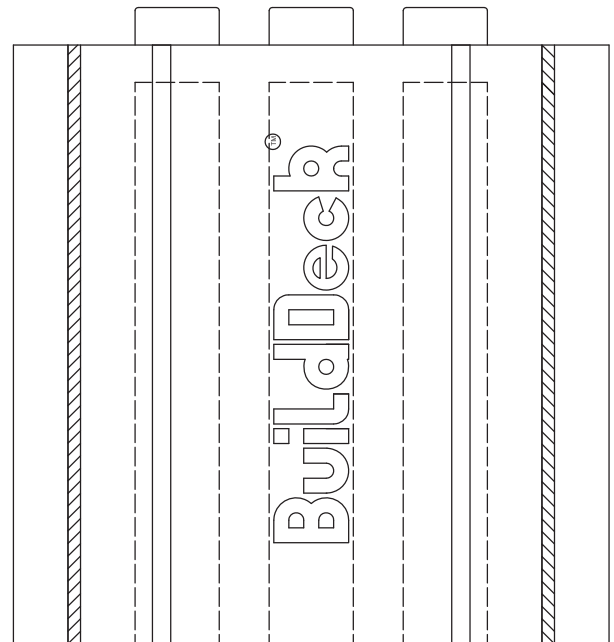
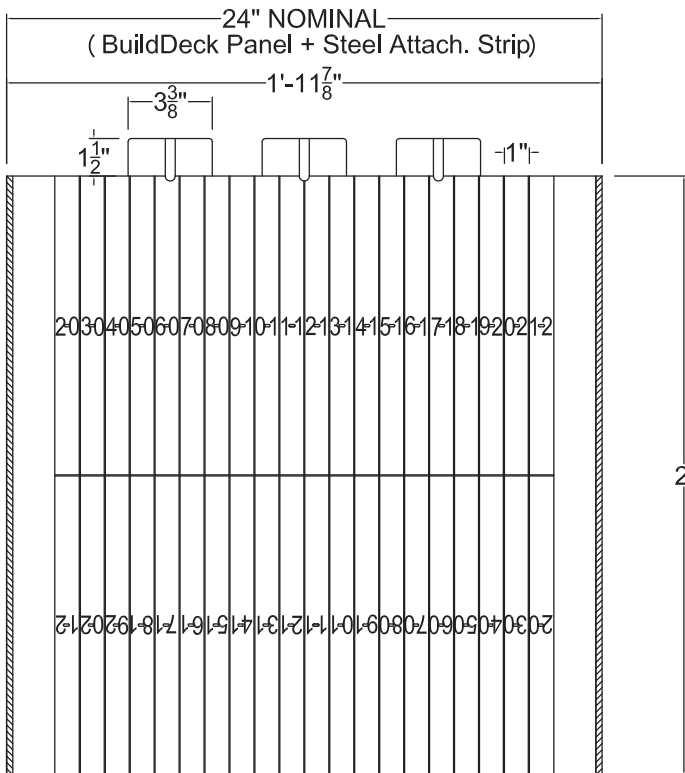
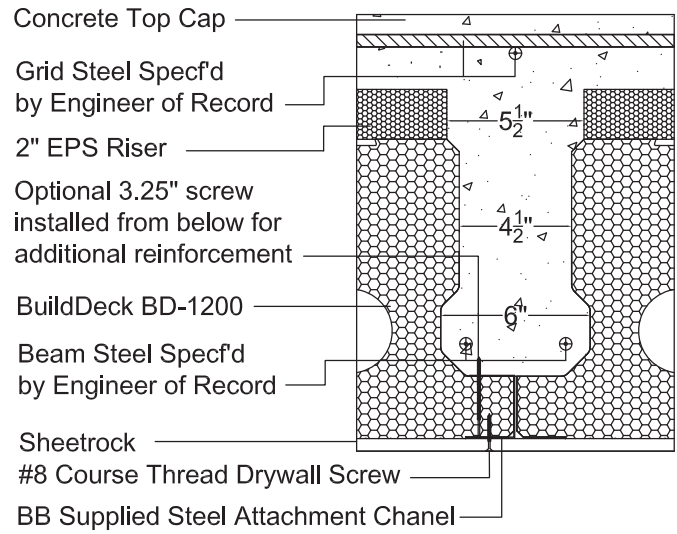
**5E**



Note:  
 Due to variations in printers and print settings, this detail may or may not be to scale.



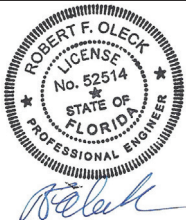
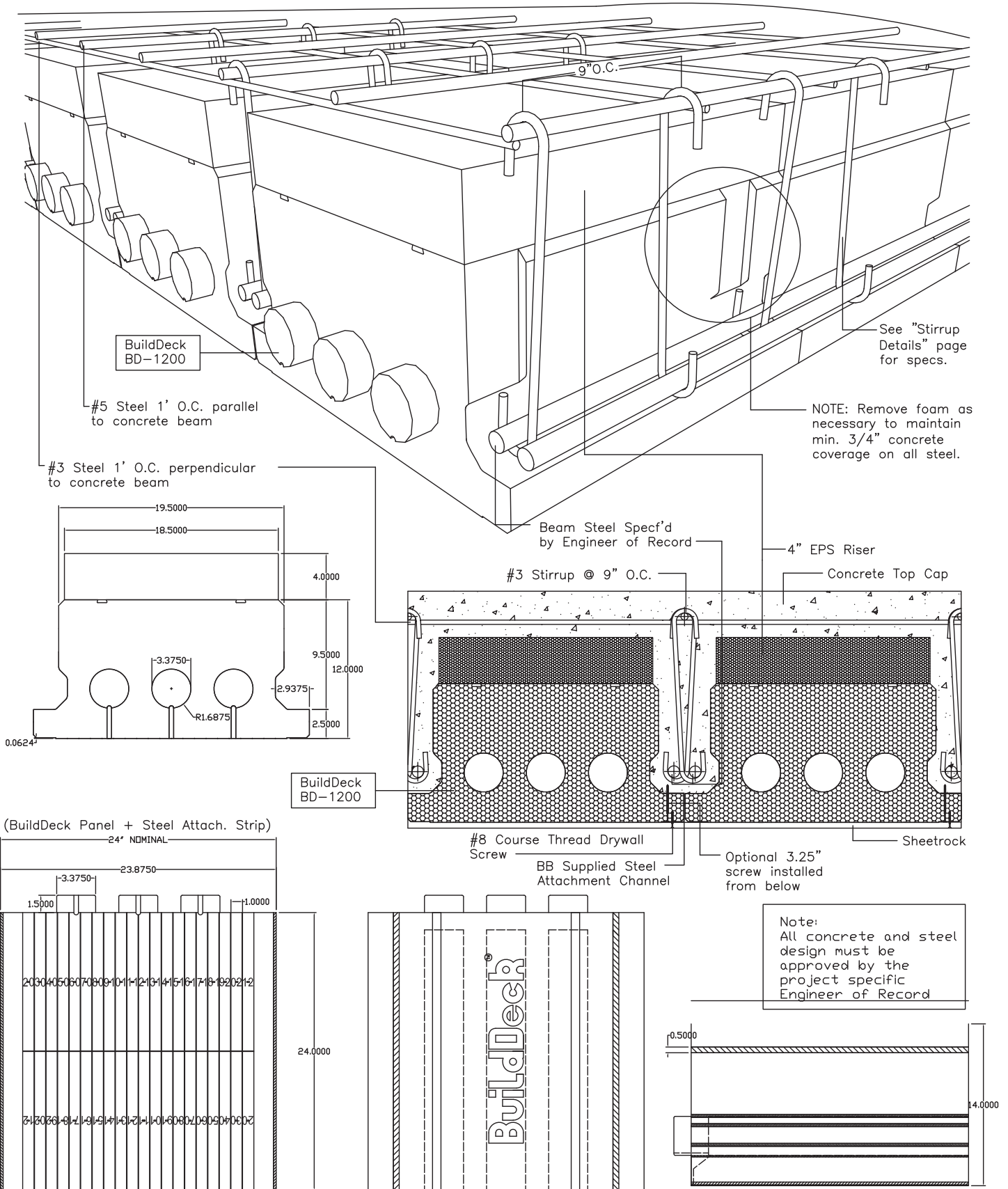
Note:  
 All concrete and steel design must be approved by the project specific Engineer of Record



9705 N. BROADWAY EXTENSION, SUITE 200, OKLAHOMA CITY, OK 73114  
 OFFICE: 405-840-3386 | TOLL FREE: 866-222-2575 | FAX: 831-597-0792  
 BUILDBLOCK.COM

BUILDDECK 12" + 2" FOAM TOP HAT

DATE/REV	11-17-09	SCALE	NTS	DETAIL SHEET
NOTES	BD-12+2			
CONSTRUCTION SHALL BE IN ACCORDANCE WITH ALL APPLICABLE LOCAL AND NATIONAL CODES. ALL DRAWINGS ARE SUBJECT TO CHANGE WITHOUT NOTICE.				<b>5G</b>

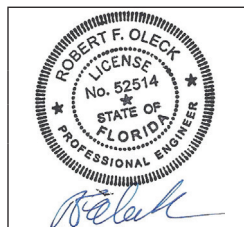
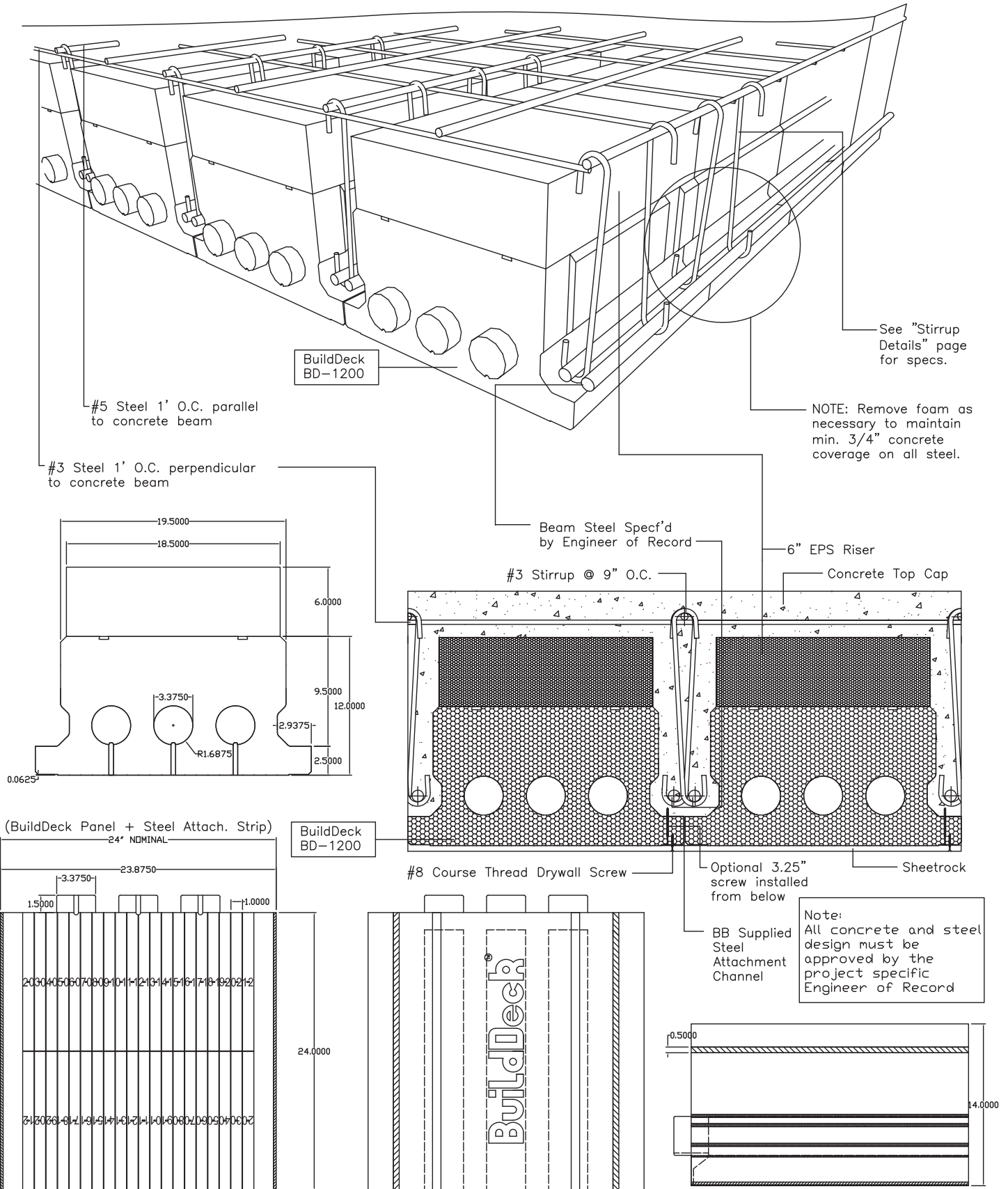


9705 N. BROADWAY EXTENSION, SUITE 200, OKLAHOMA CITY, OK 73114  
 OFFICE: 405-840-3386 | TOLL FREE: 866-222-2575 | FAX: 831-597-0792  
 BUILDBLOCK.COM

BUILDDECK 12" + 4" FOAM TOP HAT

DATE/REV	11-17-09	SCALE	NTS	DETAIL SHEET
NOTES	BD-12+4			
CONSTRUCTION SHALL BE IN ACCORDANCE WITH ALL APPLICABLE LOCAL AND NATIONAL CODES. ALL DRAWINGS ARE SUBJECT TO CHANGE WITHOUT NOTICE.				<b>5H</b>





**BB BuildBlock**  
 BUILDING SYSTEMS

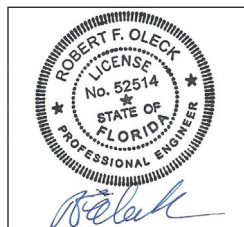
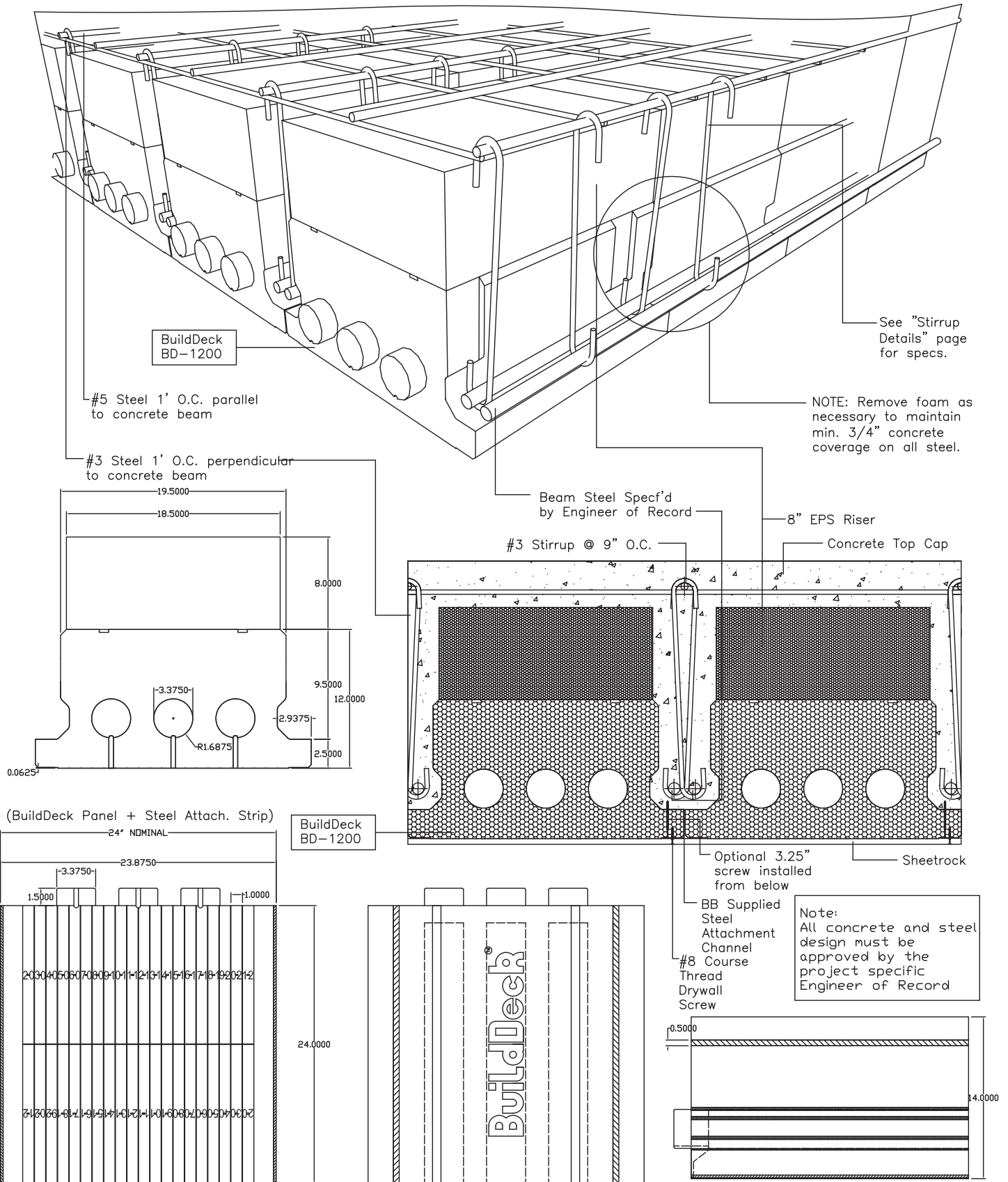
9705 N. BROADWAY EXTENSION, SUITE 200, OKLAHOMA CITY, OK 73114  
 OFFICE: 405-840-3386 | TOLL FREE: 866-222-2575 | FAX: 831-597-0792  
 BUILDBLOCK.COM

**BUILDDECK 12" + 6" FOAM TOP HAT**

DATE/REV	11-17-09	SCALE	NTS	DETAIL SHEET
NOTES	BD-12+6			

CONSTRUCTION SHALL BE IN ACCORDANCE WITH ALL APPLICABLE LOCAL AND NATIONAL CODES. ALL DRAWINGS ARE SUBJECT TO CHANGE WITHOUT NOTICE.

**51**



**BB BuildBlock**  
 BUILDING SYSTEMS

9705 N. BROADWAY EXTENSION, SUITE 200, OKLAHOMA CITY, OK 73114  
 OFFICE: 405-840-3386 | TOLL FREE: 866-222-2575 | FAX: 831-597-0792  
 BUILDBLOCK.COM

**BUILDDECK 12" + 8" FOAM TOP HAT**

DATE/REV	11-17-09	SCALE	NTS	DETAIL SHEET
NOTES	BD-12+8			

CONSTRUCTION SHALL BE IN ACCORDANCE WITH ALL APPLICABLE LOCAL AND NATIONAL CODES. ALL DRAWINGS ARE SUBJECT TO CHANGE WITHOUT NOTICE.

**5J**

RECOMMENDED STIRRUP  
 FOR BD-1200+4" RISER



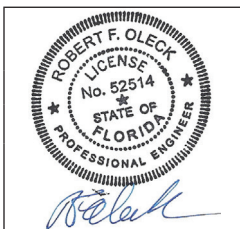
RECOMMENDED STIRRUP  
 FOR BD-1200+6" RISER



RECOMMENDED STIRRUP  
 FOR BD-1200+8" RISER



Note:  
 All concrete and steel  
 design must be  
 approved by the  
 project specific  
 Engineer of Record



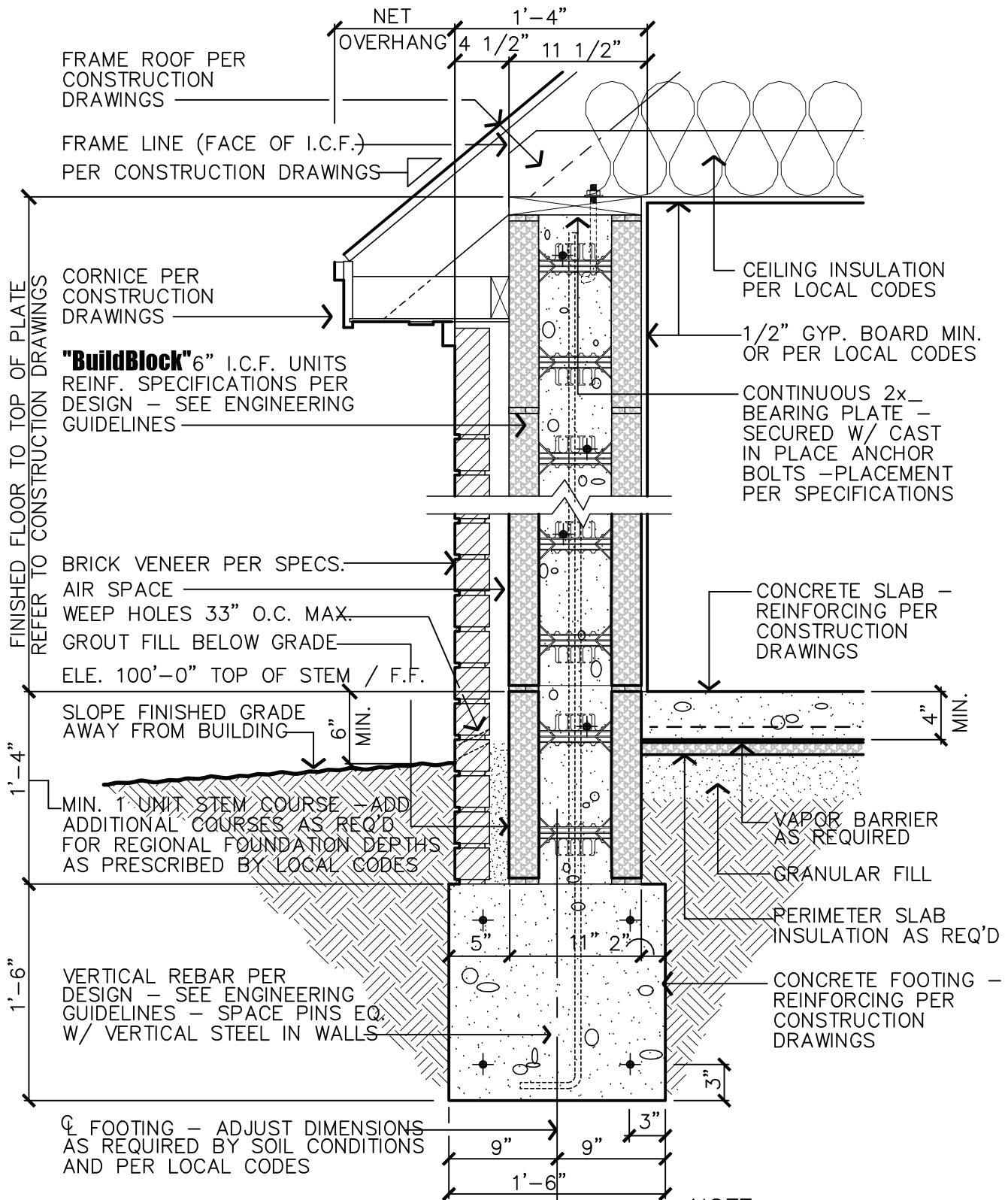
9705 N. BROADWAY EXTENSION, SUITE 200, OKLAHOMA CITY, OK 73114  
 OFFICE: 405-840-3386 | TOLL FREE: 866-222-2575 | FAX: 831-597-0792  
 BUILDBLOCK.COM

BUILDDECK LONG SPAN STIRRUPS

DATE/REV	11-17-09	SCALE	NTS	DETAIL SHEET
----------	----------	-------	-----	--------------



NOTES  
 CONSTRUCTION SHALL BE IN ACCORDANCE WITH ALL  
 APPLICABLE LOCAL AND NATIONAL CODES. ALL DRAW-  
 INGS ARE SUBJECT TO CHANGE WITHOUT NOTICE.

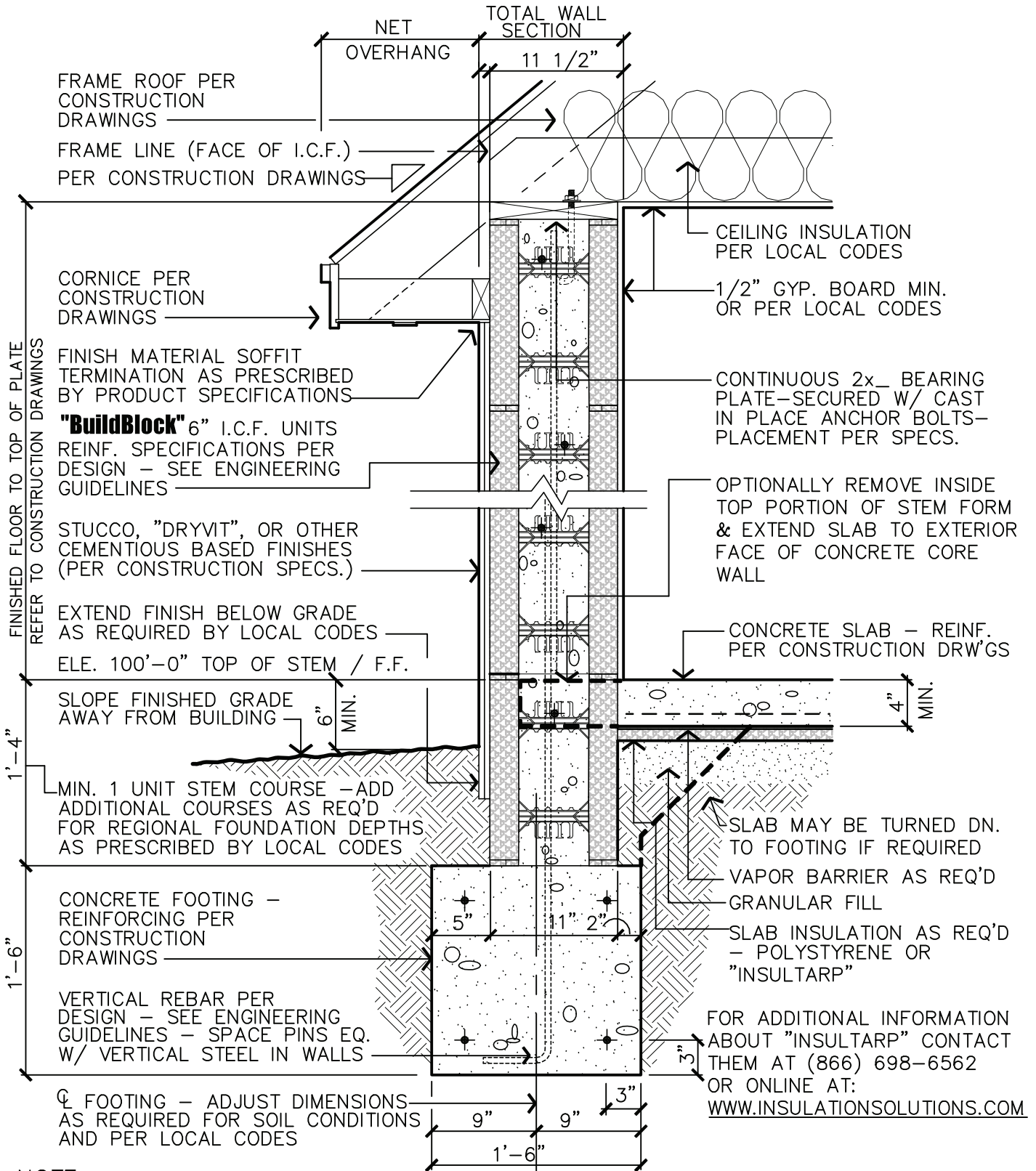
**5K**



**1**  
**06** TYPICAL WALL SECTION  
 SCALE: 1" = 1'-0"

**NOTE:**  
 DUE TO VARIATIONS IN SELECTED  
 PRINTER SETTINGS, NOTED SCALES  
 MAY NO LONGER BE APPLICABLE

	<b>1-STORY BRICK VENEER</b>		DATE/REV 10-31-06 /2		SCALE NTS	DETAIL SHEET
	NOTES					
9705 N. BROADWAY EXTENSION, SUITE 200, OKLAHOMA CITY, OK 73114 OFFICE: 405-840-3386   TOLL FREE: 866-222-2575   FAX: 831-597-0792 BUILDBLOCK.COM			CONSTRUCTION SHALL BE IN ACCORDANCE WITH ALL APPLICABLE LOCAL AND NATIONAL CODES. ALL DRAWINGS ARE SUBJECT TO CHANGE WITHOUT NOTICE.			



**NOTE:**

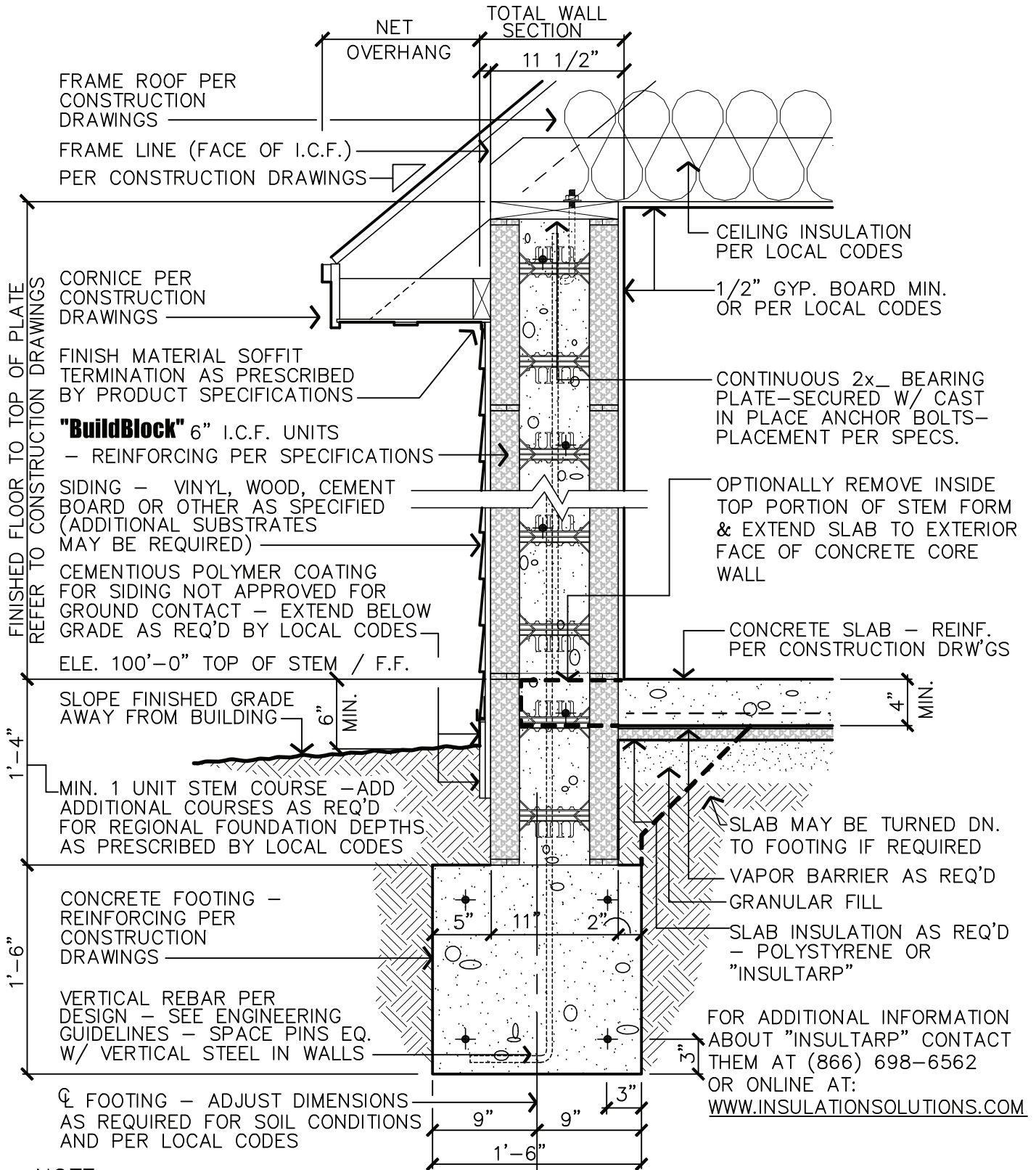
DUE TO VARIATIONS IN SELECTED  
 PRINTER SETTINGS, NOTED SCALES  
 MAY NO LONGER BE APPLICABLE



**TYPICAL WALL SECTION**

SCALE: 1" = 1'-0"

	<b>1-STORY STUCCO</b>		DATE/REV 12-01-04 / 1		SCALE NTS	DETAIL SHEET	
	NOTES					<b>7</b>	
9705 N. BROADWAY EXTENSION, SUITE 200, OKLAHOMA CITY, OK 73114 OFFICE: 405-840-3386   TOLL FREE: 866-222-2575   FAX: 831-597-0792 BUILDBLOCK.COM		CONSTRUCTION SHALL BE IN ACCORDANCE WITH ALL APPLICABLE LOCAL AND NATIONAL CODES. ALL DRAWINGS ARE SUBJECT TO CHANGE WITHOUT NOTICE.					



**NOTE:**

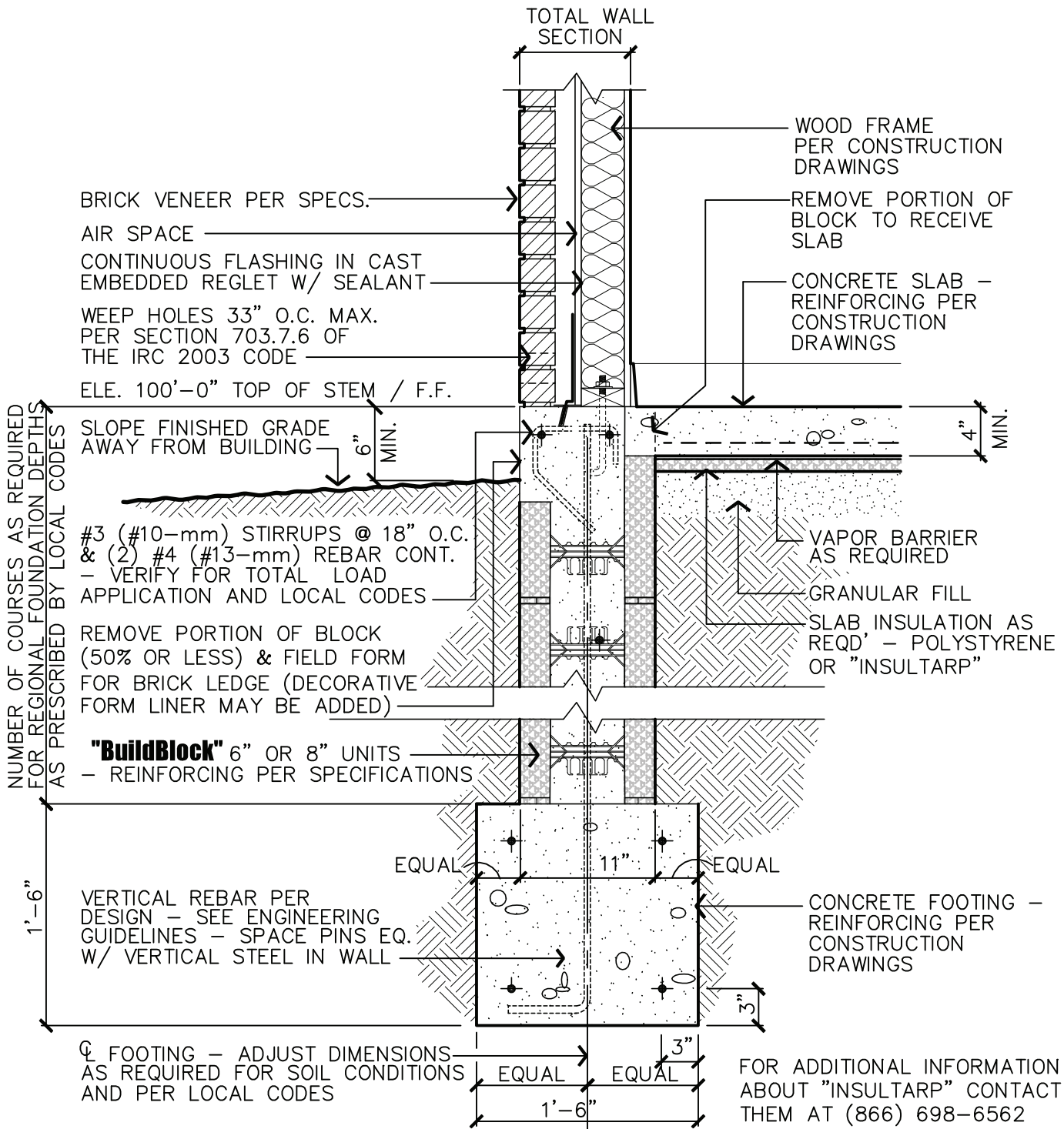
DUE TO VARIATIONS IN SELECTED  
 PRINTER SETTINGS, NOTED SCALES  
 MAY NO LONGER BE APPLICABLE



**TYPICAL WALL SECTION**

SCALE: 1" = 1'-0"



	<b>1-STORY SIDING</b>		DATE/REV 11-28-06 / 2		SCALE NTS	DETAIL SHEET
	NOTES		CONSTRUCTION SHALL BE IN ACCORDANCE WITH ALL APPLICABLE LOCAL AND NATIONAL CODES. ALL DRAWINGS ARE SUBJECT TO CHANGE WITHOUT NOTICE.			
9705 N. BROADWAY EXTENSION, SUITE 200, OKLAHOMA CITY, OK 73114 OFFICE: 405-840-3386   TOLL FREE: 866-222-2575   FAX: 831-597-0792 BUILDBLOCK.COM						

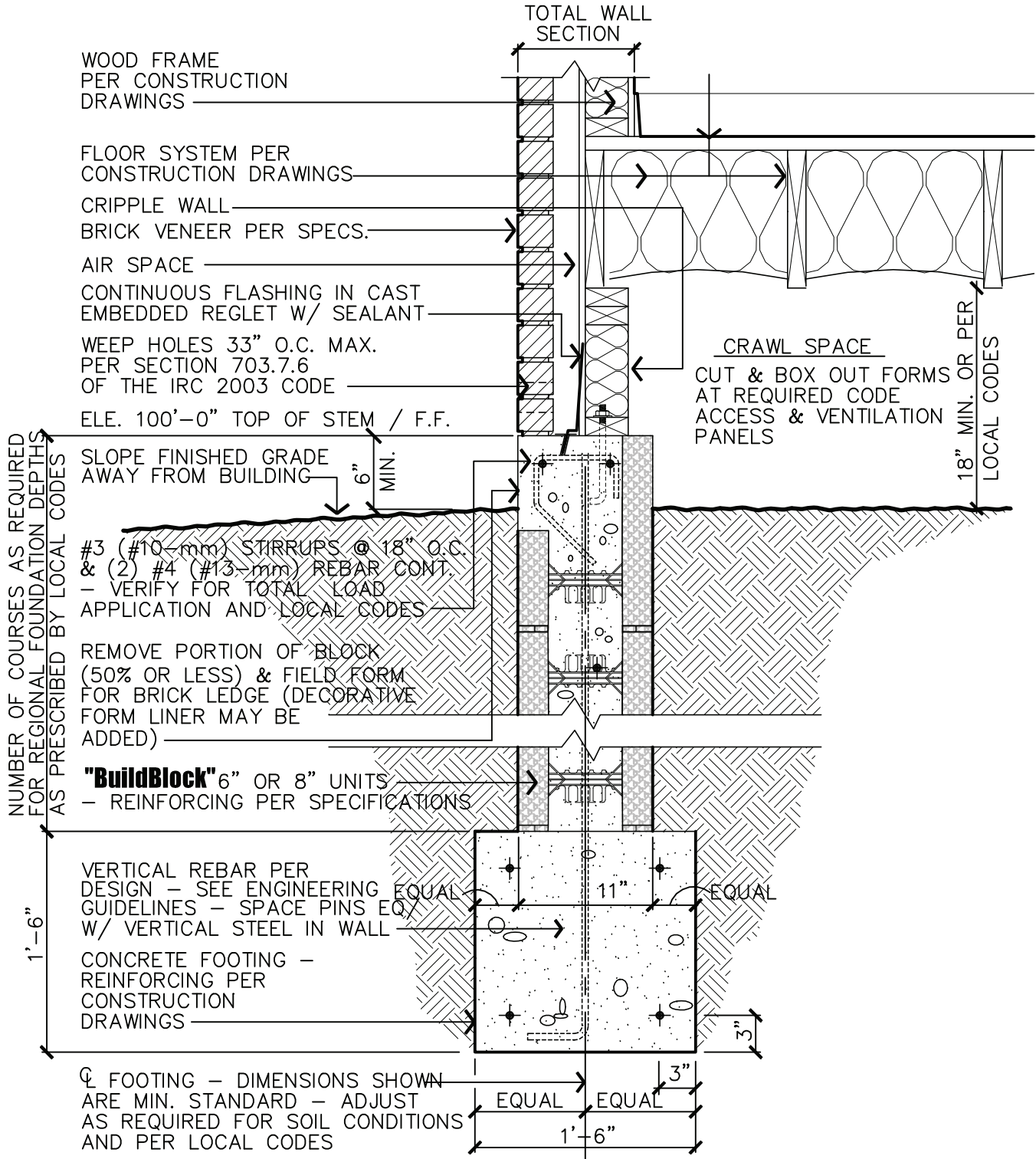


1 FOUNDATION DETAIL  
 09 SCALE: 1" = 1'-0"

FOR ADDITIONAL INFORMATION ABOUT "INSULTARP" CONTACT THEM AT (866) 698-6562 OR ONLINE AT: [WWW.INSULATION SOLUTIONS.COM](http://WWW.INSULATION SOLUTIONS.COM)


**NOTE:**  
 DUE TO VARIATIONS IN SELECTED PRINTER SETTINGS, NOTED SCALES MAY NO LONGER BE APPLICABLE

	<b>WOOD FRAME ON BUILDBLOCK STEM</b>			DETAIL SHEET
	DATE/REV	11-28-06 / 3	SCALE	
9705 N. BROADWAY EXTENSION, SUITE 200, OKLAHOMA CITY, OK 73114 OFFICE: 405-840-3386   TOLL FREE: 866-222-2575   FAX: 831-597-0792 BUILDBLOCK.COM	CONSTRUCTION SHALL BE IN ACCORDANCE WITH ALL APPLICABLE LOCAL AND NATIONAL CODES. ALL DRAWINGS ARE SUBJECT TO CHANGE WITHOUT NOTICE.			

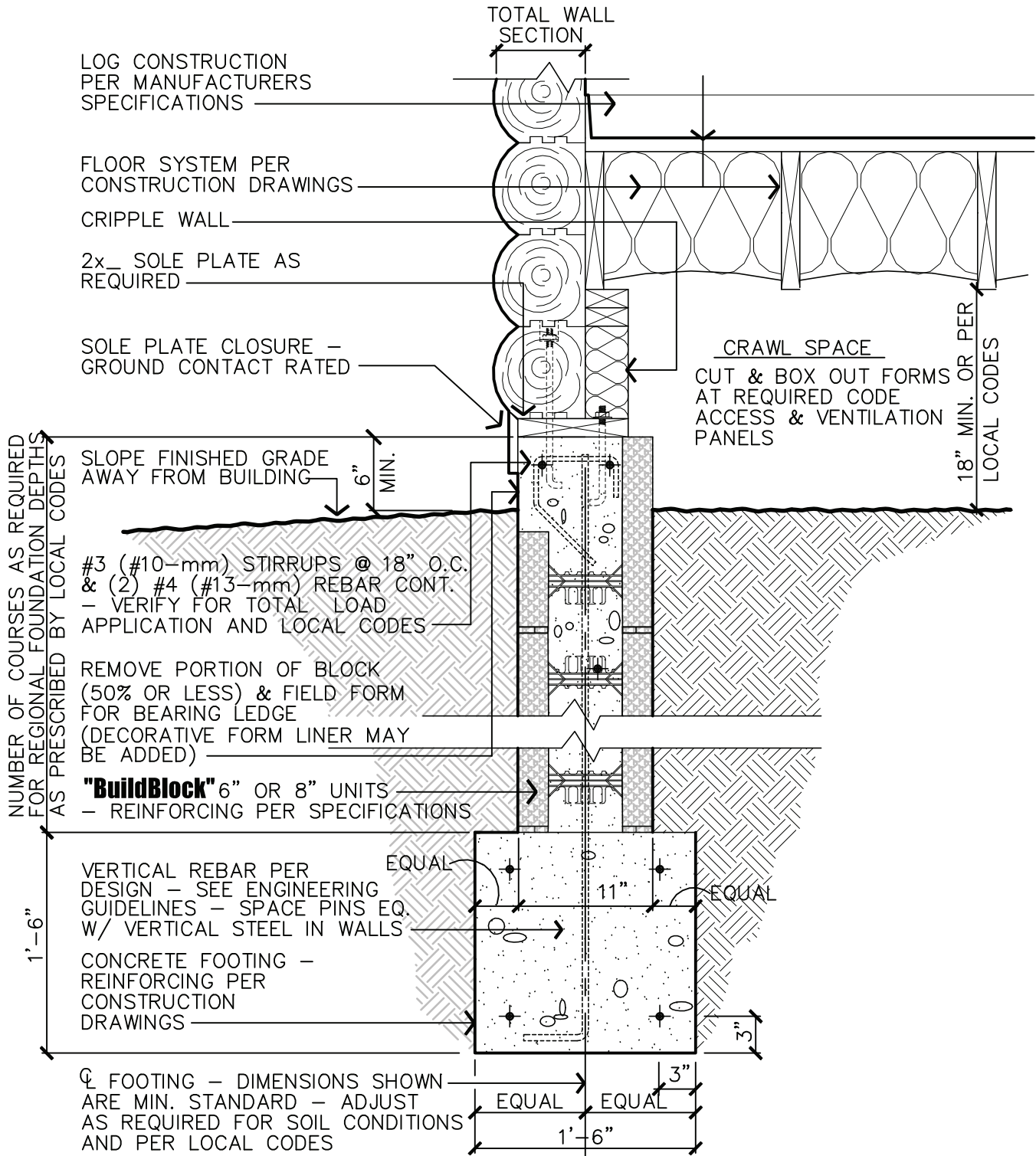


**1** FOUNDATION DETAIL  
 SCALE: 1" = 1'-0"

NOTE:  
 DUE TO VARIATIONS IN SELECTED PRINTER SETTINGS, NOTED SCALES MAY NO LONGER BE APPLICABLE


	<b>BUILDBLOCK STEM &amp; CRAWL SPACE</b>		DATE/REV 11-28-06 /3		SCALE NTS	DETAIL SHEET
	NOTES		CONSTRUCTION SHALL BE IN ACCORDANCE WITH ALL APPLICABLE LOCAL AND NATIONAL CODES. ALL DRAWINGS ARE SUBJECT TO CHANGE WITHOUT NOTICE.			
9705 N. BROADWAY EXTENSION, SUITE 200, OKLAHOMA CITY, OK 73114 OFFICE: 405-840-3386   TOLL FREE: 866-222-2575   FAX: 831-597-0792 BUILDBLOCK.COM						10

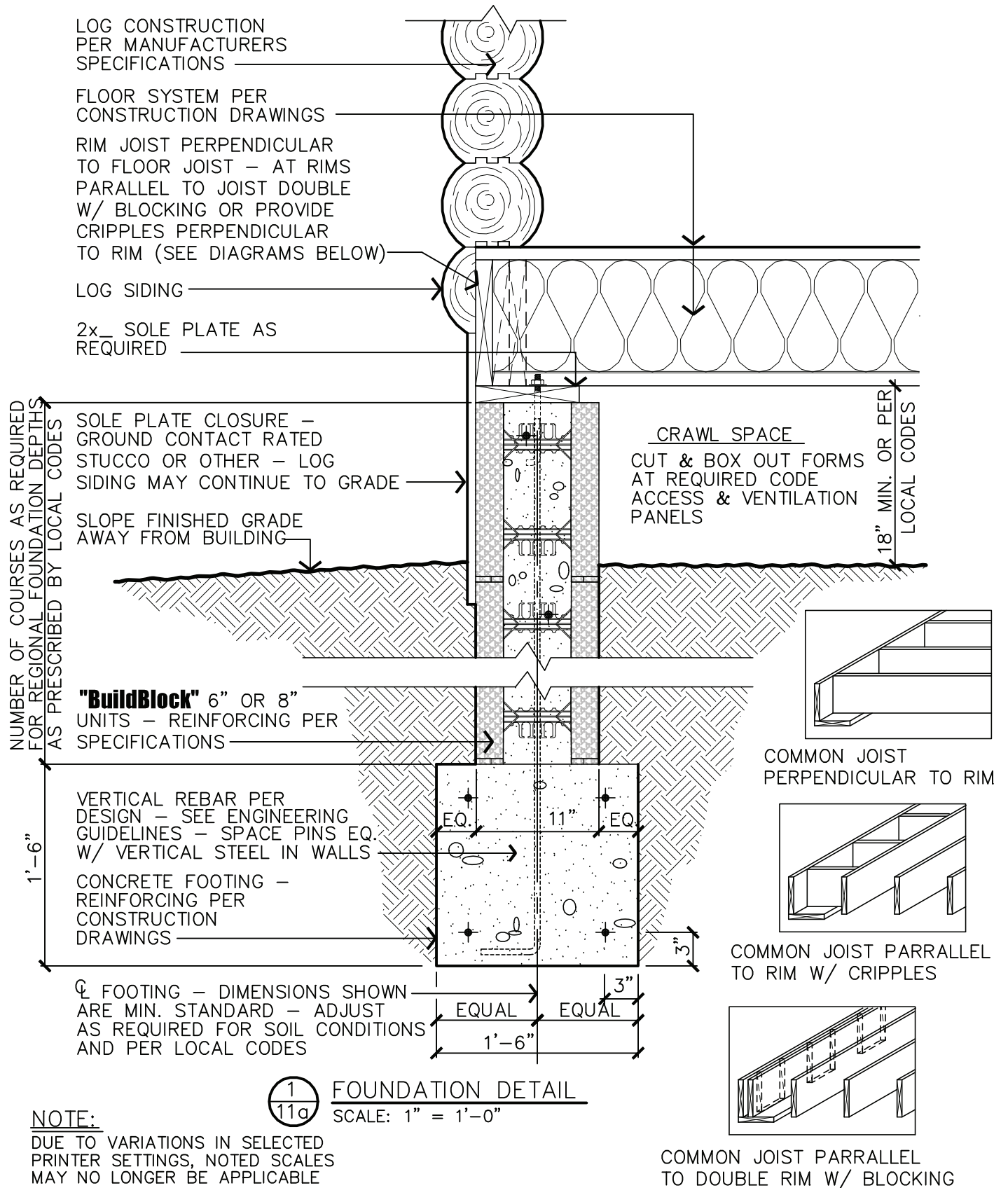





1 FOUNDATION DETAIL  
 11 SCALE: 1" = 1'-0"

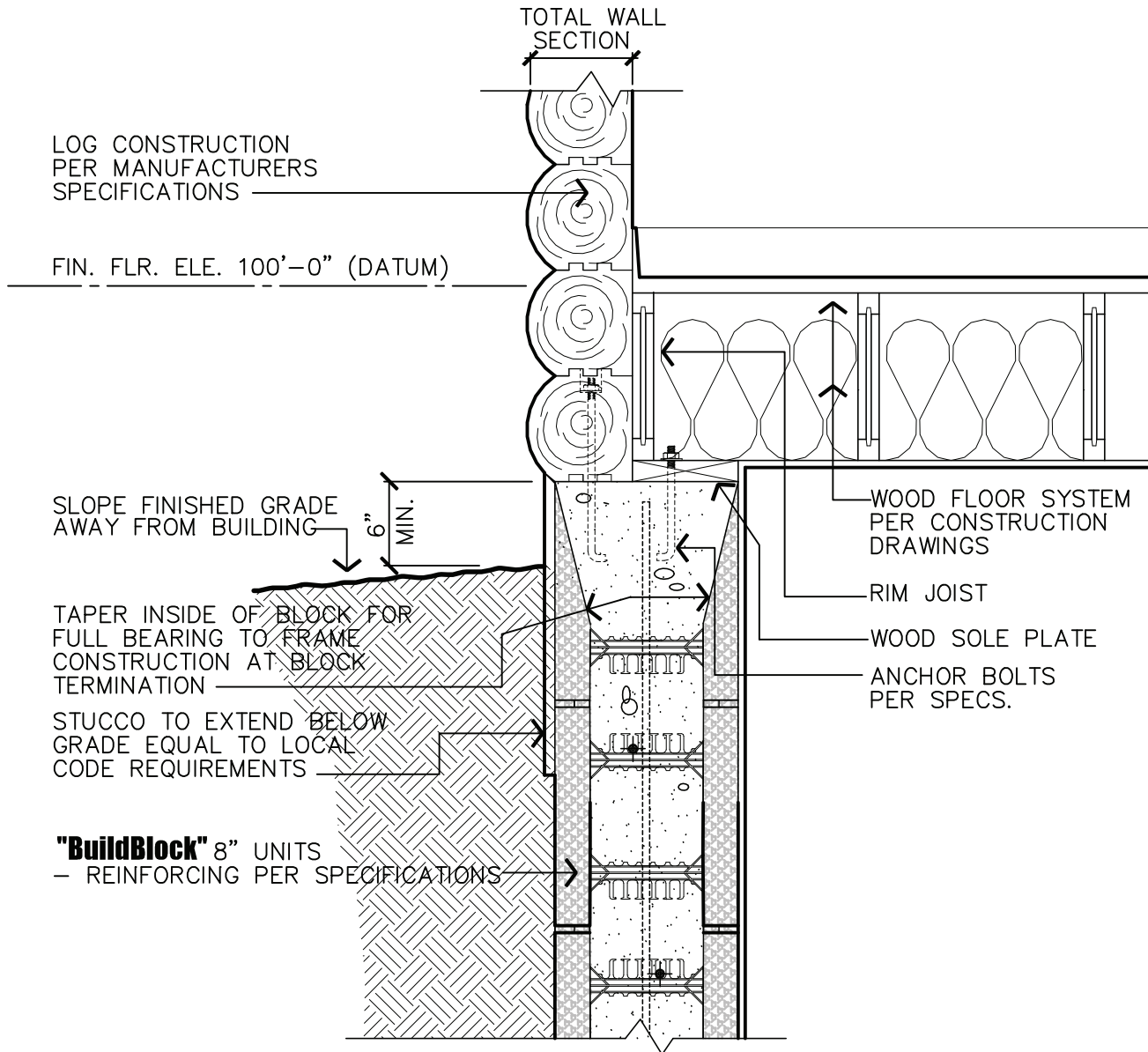
NOTE:  
 DUE TO VARIATIONS IN SELECTED PRINTER SETTINGS, NOTED SCALES MAY NO LONGER BE APPLICABLE

 <p>9705 N. BROADWAY EXTENSION, SUITE 200, OKLAHOMA CITY, OK 73114                  OFFICE: 405-840-3386   TOLL FREE: 866-222-2575   FAX: 831-597-0792                  BUILDBLOCK.COM</p>	<b>BUILDBLOCK STEM &amp; LOG WALL</b>		DETAIL SHEET	
	DATE/REV	11-28-06 / 3	SCALE	NTS
	NOTES			
CONSTRUCTION SHALL BE IN ACCORDANCE WITH ALL APPLICABLE LOCAL AND NATIONAL CODES. ALL DRAWINGS ARE SUBJECT TO CHANGE WITHOUT NOTICE.		11		



**NOTE:**  
 DUE TO VARIATIONS IN SELECTED  
 PRINTER SETTINGS, NOTED SCALES  
 MAY NO LONGER BE APPLICABLE

	<b>BUILDBLOCK STEM &amp; LOG WALL</b>		DATE/REV 12-01-04 / 1		SCALE	NTS	DETAIL SHEET
	NOTES						<h1>11A</h1>
9705 N. BROADWAY EXTENSION, SUITE 200, OKLAHOMA CITY, OK 73114 OFFICE: 405-840-3386   TOLL FREE: 866-222-2575   FAX: 831-597-0792 BUILDBLOCK.COM		CONSTRUCTION SHALL BE IN ACCORDANCE WITH ALL APPLICABLE LOCAL AND NATIONAL CODES. ALL DRAWINGS ARE SUBJECT TO CHANGE WITHOUT NOTICE.					



LOG CONSTRUCTION  
 PER MANUFACTURERS  
 SPECIFICATIONS

FIN. FLR. ELE. 100'-0" (DATUM)

SLOPE FINISHED GRADE  
 AWAY FROM BUILDING  
 6" MIN.

TAPER INSIDE OF BLOCK FOR  
 FULL BEARING TO FRAME  
 CONSTRUCTION AT BLOCK  
 TERMINATION

STUCCO TO EXTEND BELOW  
 GRADE EQUAL TO LOCAL  
 CODE REQUIREMENTS

**"BuildBlock" 8" UNITS**  
 - REINFORCING PER SPECIFICATIONS

WOOD FLOOR SYSTEM  
 PER CONSTRUCTION  
 DRAWINGS

RIM JOIST


WOOD SOLE PLATE

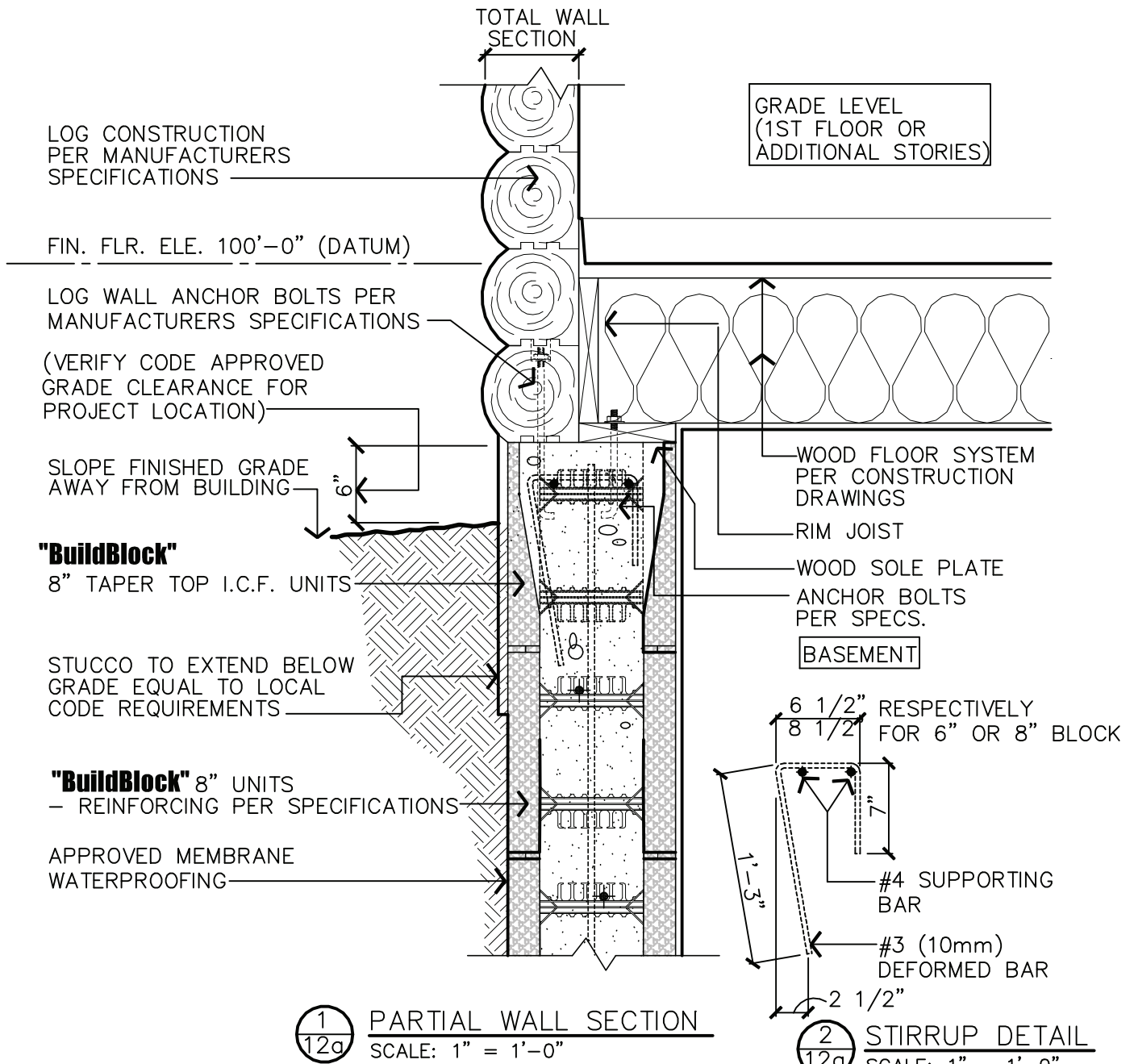
ANCHOR BOLTS  
 PER SPECS.

NOTE:  
 INSTALL APPROVED MEMBRANE WATER-  
 PROOFING AT ALL SURFACES BELOW GRADE  
 EXTEND 12" MIN. ABOVE FINAL GRADE

1 PARTIAL WALL SECTION  
 12 SCALE: 1" = 1'-0"

NOTE:  
 DUE TO VARIATIONS IN SELECTED  
 PRINTER SETTINGS, NOTED SCALES  
 MAY NO LONGER BE APPLICABLE

	<b>BUILDBLOCK BASEMENT &amp; LOG WALL</b>			DATE/REV 12-01-04 /1	SCALE NTS	DETAIL SHEET
	NOTES					
	9705 N. BROADWAY EXTENSION, SUITE 200, OKLAHOMA CITY, OK 73114 OFFICE: 405-840-3386   TOLL FREE: 866-222-2575   FAX: 831-597-0792 BUILDBLOCK.COM			CONSTRUCTION SHALL BE IN ACCORDANCE WITH ALL APPLICABLE LOCAL AND NATIONAL CODES. ALL DRAWINGS ARE SUBJECT TO CHANGE WITHOUT NOTICE.		



NOTES:


- VARIATIONS IN IMPOSED LIVE & DEAD LOADS AND OTHER APPLICATION SPECIFIC VARIABLES REQUIRE ALL ASPECTS OF THE DETAILS SHOWN HERE TO BE DESIGNED AND /OR APPROVED BY A QUALIFIED ENGINEER
- ALL CONSTRUCTION SHALL BE IN ACCORDANCE W/ THE SPECIFICATION OF AND THE RESPONSIBILITY OF A QUALIFIED STRUCTRURAL ENGINEER.
- INSTALL APPROVED MEMBRANE WATER-PROOFING AT ALL SURFACES BELOW GRADE EXTEND 12" MIN. ABOVE FINAL GRADE

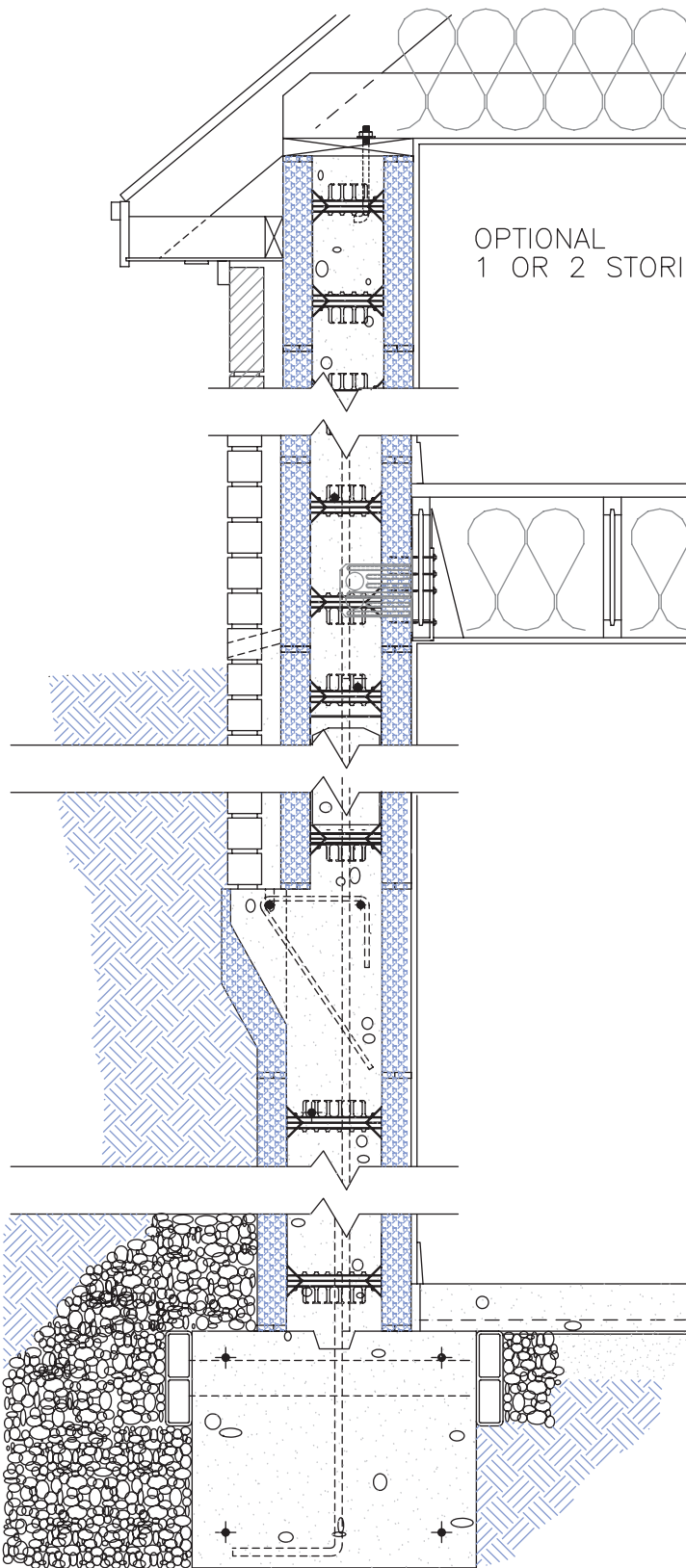
MINIMUM SPACING:

- VENEER - 1000 lb/ft (15kN/m @ 18" (450mm)
- VENEER - 1500 lb/ft (22kN/m @ 12" (300mm)

NOTE:

DUE TO VARIATIONS IN SELECTED PRINTER SETTINGS, NOTED SCALES MAY NO LONGER BE APPLICABLE

 <p>9705 N. BROADWAY EXTENSION, SUITE 200, OKLAHOMA CITY, OK 73114 OFFICE: 405-840-3386   TOLL FREE: 866-222-2575   FAX: 831-597-0792 BUILDBLOCK.COM</p>	<b>BASEMENT, TAPER UNIT &amp; LOG WALL</b>			DETAIL SHEET
	DATE/REV	9-30-07 / 2	SCALE	NTS
	NOTES			
CONSTRUCTION SHALL BE IN ACCORDANCE WITH ALL APPLICABLE LOCAL AND NATIONAL CODES. ALL DRAWINGS ARE SUBJECT TO CHANGE WITHOUT NOTICE.				



OPTIONAL  
 1 OR 2 STORIES ABOVE

$\frac{1}{06}$  (CORNICE PORTION  
 OF WALL SECTION)

TYPICAL CONNECTION  
 AT CORNICE

$\frac{1}{14}$

TYPICAL FLOOR  
 INTERSECTION

ALSO SEE ALTERNATE  
 SECTION DETAIL 2-14

REPEAT THIS DETAIL  
 FOR 2ND FLOOR IF NEEDED

$\frac{1}{16}$

**"BuildBlock"**  
 LEDGE BLOCK

ALSO SEE ALTERNATE  
 LEDGE FORMING DETAILS

1-19 FEILD FORMED AND  
 2-19 STEEL ANGLE

1-16 STIRRUP DETAIL (TYP.)

$\frac{1}{20}$

BASEMENT FOUNDATION


$\frac{1}{13}$

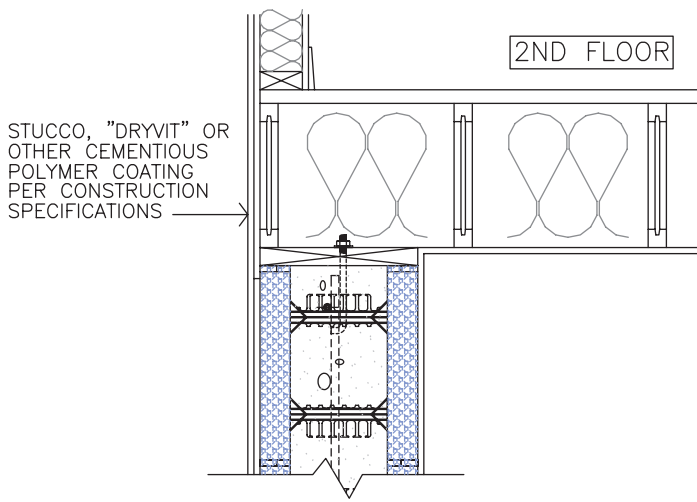
TYPICAL WALL  
 SECTION

SCALE:  $\frac{3}{4}'' = 1'-0''$

NOTE:

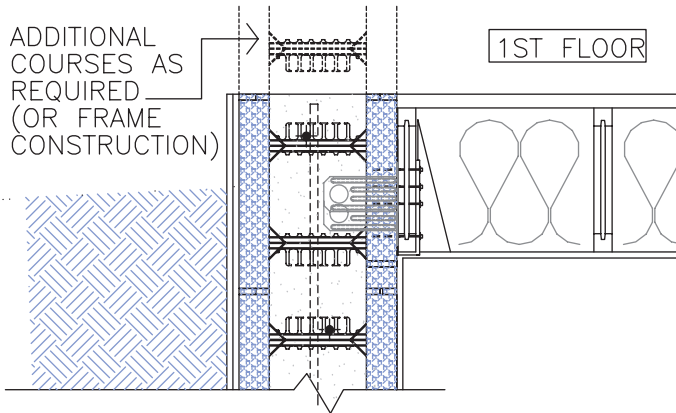
DUE TO VARIATIONS IN SELECTED  
 PRINTER SETTINGS, NOTED SCALES  
 MAY NO LONGER BE APPLICABLE

 <p>9705 N. BROADWAY EXTENSION, SUITE 200, OKLAHOMA CITY, OK 73114                  OFFICE: 405-840-3386   TOLL FREE: 866-222-2575   FAX: 831-597-0792                  BUILDBLOCK.COM</p>	<b>BASEMENT WITH BRICK 1 OR 2 STORY BUILDBLOCK ABOVE</b>			DETAIL SHEET
	DATE/REV	11-17-09	SCALE	NTS
	NOTES			
			CONSTRUCTION SHALL BE IN ACCORDANCE WITH ALL APPLICABLE LOCAL AND NATIONAL CODES. ALL DRAWINGS ARE SUBJECT TO CHANGE WITHOUT NOTICE.	

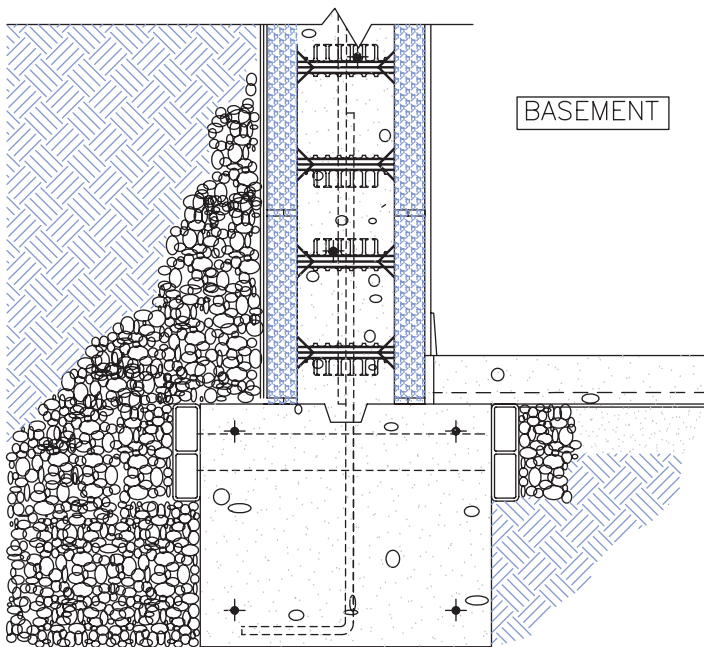


$\frac{1}{14a}$   
 FRAME FLOOR  
 TOP BEARING

↑  
 ALTERNATE




$\frac{1}{14}$  SIMILAR  
 TYPICAL FLOOR  
 INTERSECTION  
 ALSO SEE ALTERNATE  
 SECTION DETAIL 2-14 (SIM.)

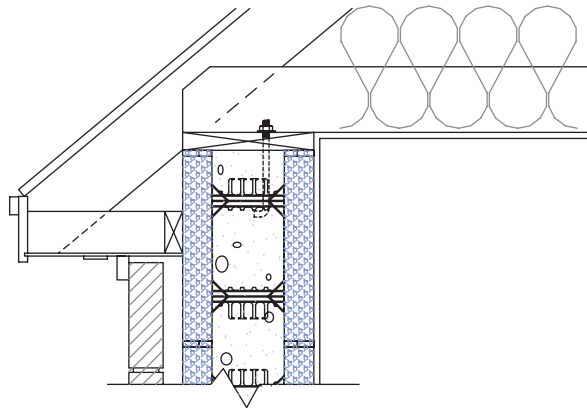


$\frac{1}{20}$   
 BASEMENT  
 FOUNDATION

TYPICAL WALL  
 SECTION  
 $\frac{1}{13a}$   
 SCALE:  $\frac{3}{4}'' = 1'-0''$

NOTE:  
 DUE TO VARIATIONS IN SELECTED  
 PRINTER SETTINGS, NOTED SCALES  
 MAY NO LONGER BE APPLICABLE

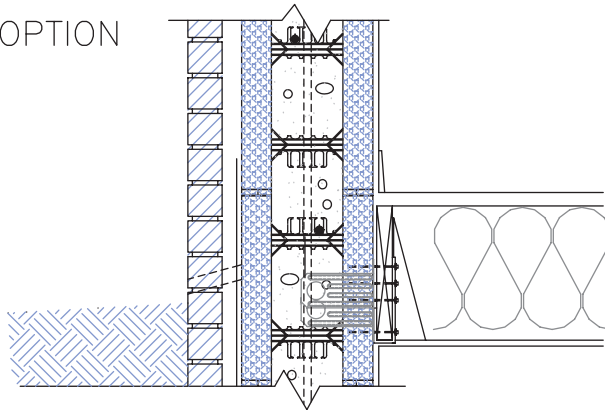
	<b>BASEMENT WITH STUCCO 1 OR 2 STORIES ABOVE</b>			
	DATE/REV	11-17-09	SCALE NTS	DETAIL SHEET
	NOTES			<b>13A</b>
9705 N. BROADWAY EXTENSION, SUITE 200, OKLAHOMA CITY, OK 73114 OFFICE: 405-840-3386   TOLL FREE: 866-222-2575   FAX: 831-597-0792 BUILDBLOCK.COM		CONSTRUCTION SHALL BE IN ACCORDANCE WITH ALL APPLICABLE LOCAL AND NATIONAL CODES. ALL DRAWINGS ARE SUBJECT TO CHANGE WITHOUT NOTICE.		



1  
06 (CORNICE PORTION  
OF WALL SECTION)

TYPICAL CONNECTION  
AT CORNICE

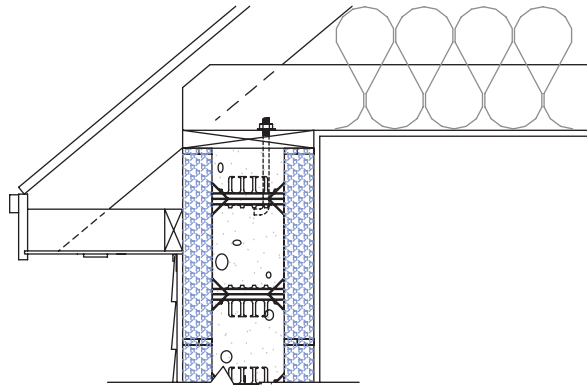
2  
13b BRICK OPTION



1  
14

TYPICAL FLOOR  
INTERSECTION

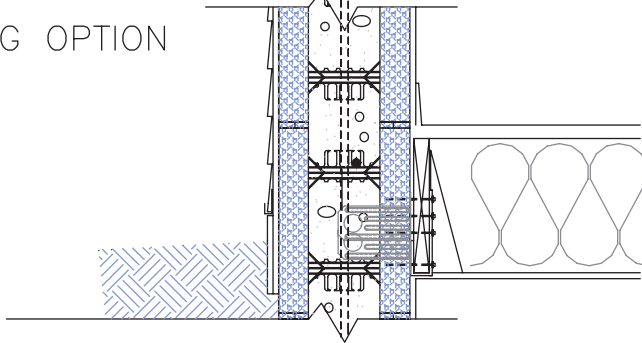
ALSO SEE ALTERNATE  
SECTION DETAIL 2-14



1  
08 (CORNICE PORTION  
OF WALL SECTION)

TYPICAL CONNECTION  
AT CORNICE

1  
13b SIDING OPTION



1  
14

TYPICAL FLOOR  
INTERSECTION

ALSO SEE ALTERNATE  
SECTION DETAIL 2-14

NOTE:

DUE TO VARIATIONS IN SELECTED  
PRINTER SETTINGS, NOTED SCALES  
MAY NO LONGER BE APPLICABLE



9705 N. BROADWAY EXTENSION, SUITE 200, OKLAHOMA CITY, OK 73114  
 OFFICE: 405-840-3386 | TOLL FREE: 866-222-2575 | FAX: 831-597-0792  
 BUILDBLOCK.COM

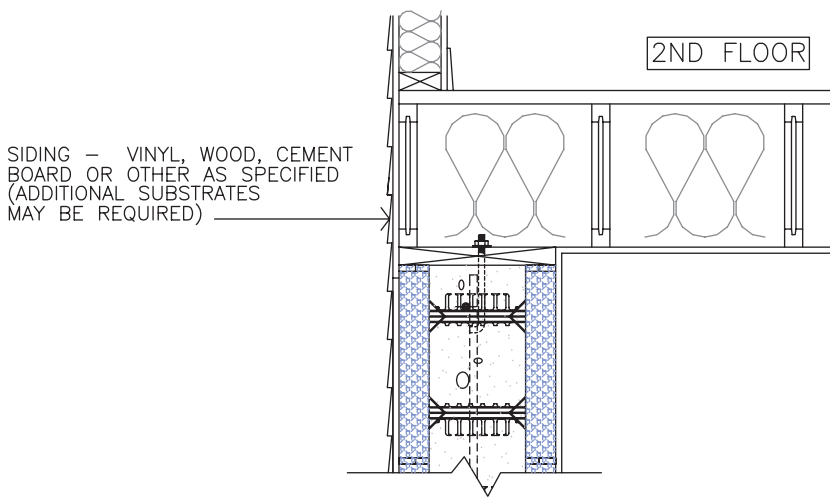
WALL DETAIL W/SILL PLATE & SLOPE ROOF

DATE/REV	11-17-09	SCALE	NTS	DETAIL SHEET
----------	----------	-------	-----	--------------

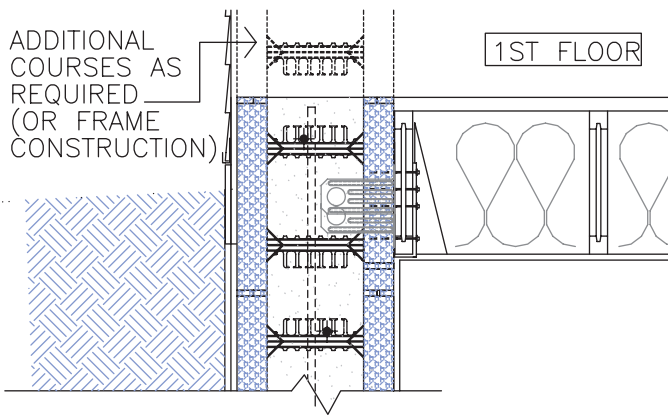
NOTES	
-------	--

CONSTRUCTION SHALL BE IN ACCORDANCE WITH ALL APPLICABLE  
 LOCAL AND NATIONAL CODES. ALL DRAWINGS ARE SUBJECT TO  
 CHANGE WITHOUT NOTICE.

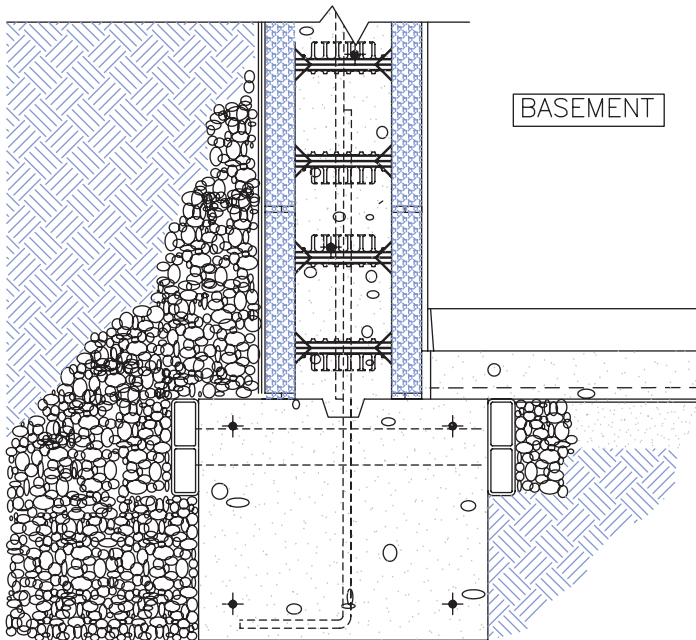
**13B**



$\frac{1}{14a}$   
 FRAME FLOOR  
 TOP BEARING



$\frac{1}{14}$  SIMILAR  
 TYPICAL FLOOR  
 INTERSECTION  
 ALSO SEE ALTERNATE  
 SECTION DETAIL 2-14 (SIM.)



$\frac{1}{20}$   
 BASEMENT  
 FOUNDATION

$\frac{1}{13c}$  TYPICAL WALL  
 SECTION  
 SCALE: 3/4" = 1'-0"

NOTE:  
 DUE TO VARIATIONS IN SELECTED  
 PRINTER SETTINGS, NOTED SCALES  
 MAY NO LONGER BE APPLICABLE



BASEMENT WITH SIDING ON ONE STORY BUILDBLOCK AND SECOND FLOOR FRAME ABOVE

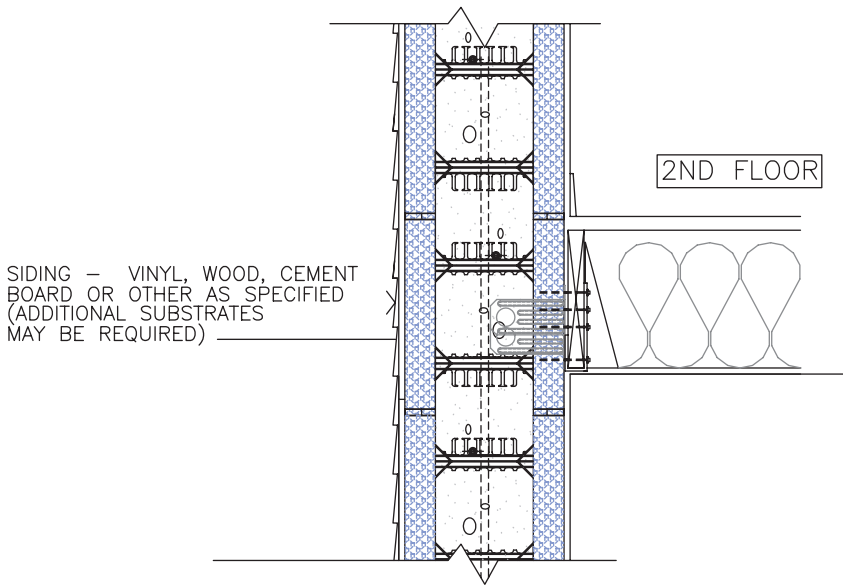
DATE/REV	11-17-09	SCALE	NTS	DETAIL SHEET
NOTES				

9705 N. BROADWAY EXTENSION, SUITE 200, OKLAHOMA CITY, OK 73114  
 OFFICE: 405-840-3386 | TOLL FREE: 866-222-2575 | FAX: 831-597-0792  
 BUILDBLOCK.COM

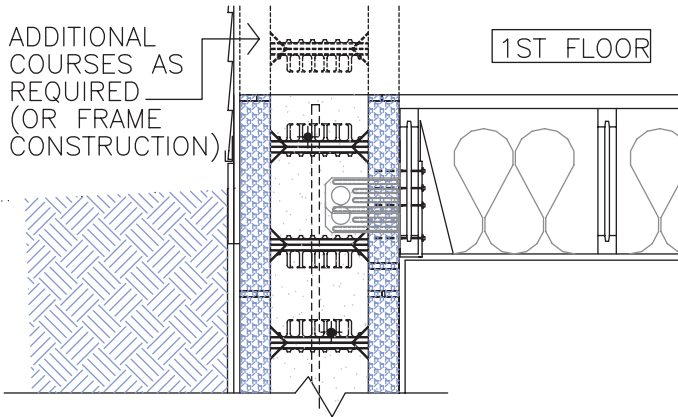
CONSTRUCTION SHALL BE IN ACCORDANCE WITH ALL APPLICABLE  
 LOCAL AND NATIONAL CODES. ALL DRAWINGS ARE SUBJECT TO  
 CHANGE WITHOUT NOTICE.

**13C**

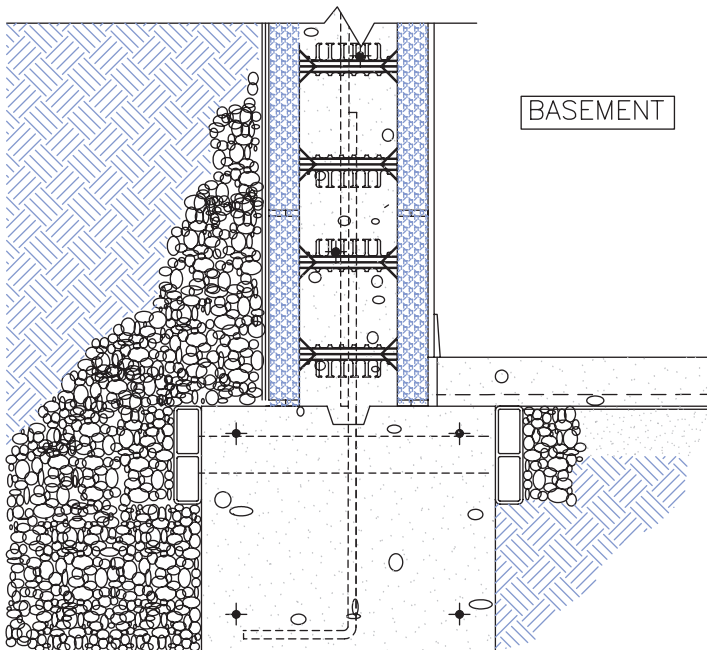




↑  
ALTERNATE




$\frac{1}{14}$  SIMILAR  
 TYPICAL FLOOR INTERSECTION  
 ALSO SEE ALTERNATE SECTION DETAIL 2-14 (SIM.)



$\frac{1}{20}$   
 BASEMENT FOUNDATION

1  
 13d  
 TYPICAL WALL SECTION  
 SCALE: 3/4" = 1'-0"

NOTE:  
 DUE TO VARIATIONS IN SELECTED PRINTER SETTINGS, NOTED SCALES MAY NO LONGER BE APPLICABLE

	<b>BASEMENT WITH 1 OR 2 STORY BUILDBLOCK ABOVE</b>			
	DATE/REV	11-17-09	SCALE	NTS
NOTES				
9705 N. BROADWAY EXTENSION, SUITE 200, OKLAHOMA CITY, OK 73114 OFFICE: 405-840-3386   TOLL FREE: 866-222-2575   FAX: 831-597-0792 BUILDBLOCK.COM	CONSTRUCTION SHALL BE IN ACCORDANCE WITH ALL APPLICABLE LOCAL AND NATIONAL CODES. ALL DRAWINGS ARE SUBJECT TO CHANGE WITHOUT NOTICE.			<h1>13D</h1>

NOTE:  
 INSTALL APPROVED MEMBRANE WATER-  
 PROOFING AT ALL SURFACES BELOW GRADE  
 EXTEND 12" MIN. ABOVE FINAL GRADE

FLOOR SYSTEM PER  
 CONSTRUCTION DRAWINGS \_\_\_\_\_  
 CONTINUOUS LEDGER BOARD \_\_\_\_\_  
 WEEP HOLES PER SECTION 703.7.6  
 OF THE IRC 2003 CODE \_\_\_\_\_  
 1ST FIN. FLR. ELEV. 100'-0" (DATUM)  
 6" MIN. \_\_\_\_\_  
 SLOPE FINISHED GRADE  
 AWAY FROM BUILDING \_\_\_\_\_  
 GROUT FILL BELOW GRADE \_\_\_\_\_

APPROVED JOIST HANGER \_\_\_\_\_  
 MASONRY VENEER (VERIFY CODE APPROVED  
 GRADE CLEARANCE FOR PROJECT LOCATION) \_\_\_\_\_  
 APPROVED MEMBRANE WATER PROOFING \_\_\_\_\_  
 CAST EMBEDDED STEEL ANCHOR  
 BOLTS - SIZE & FREQUENCY PER  
 ENGINEERING SPECIFICATIONS \_\_\_\_\_

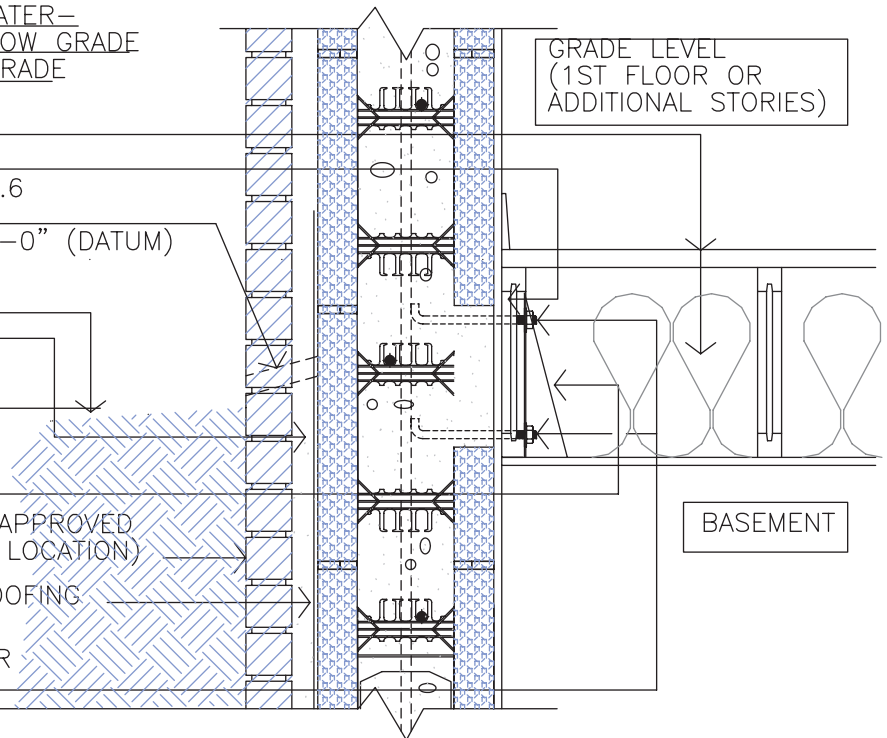
EXTERIOR  
 APPLICATIONS

FLOOR SYSTEM FOR EXTERIOR  
 APPLICATION SUCH AS WOOD OR  
 METAL DECKS MAY USE A SIMILAR  
 ANCHORING SYSTEM TO THOSE SHOWN  
 ON THIS DETAIL SHEET

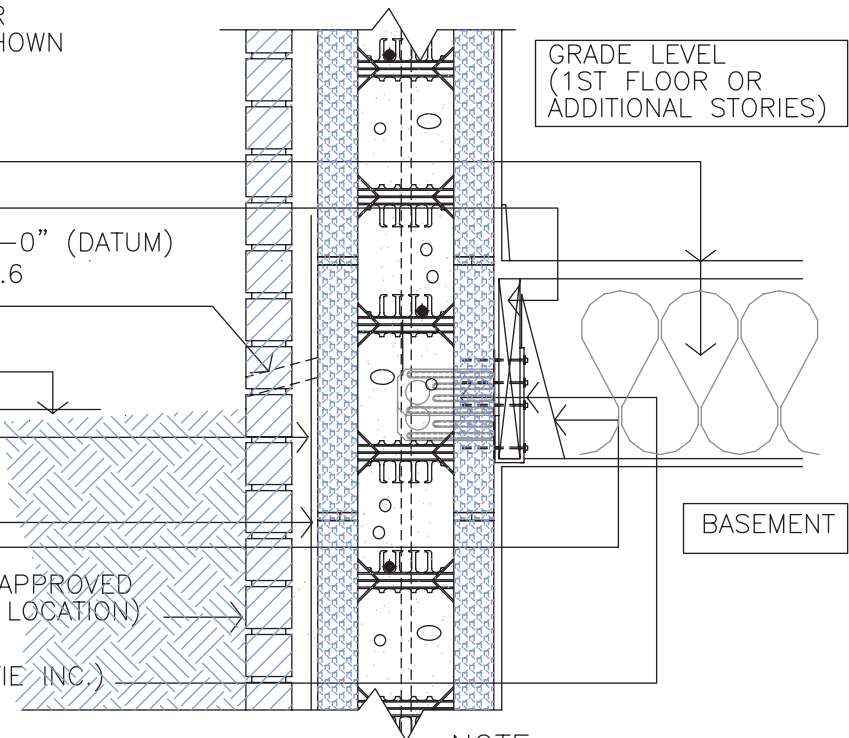
FLOOR SYSTEM PER  
 CONSTRUCTION DRAWINGS \_\_\_\_\_  
 CONTINUOUS LEDGER BOARD \_\_\_\_\_  
 1ST FIN. FLR. ELEV. 100'-0" (DATUM)  
 6" MIN. \_\_\_\_\_  
 WEEP HOLES PER SECTION 703.7.6  
 OF THE IRC 2003 CODE \_\_\_\_\_  
 SLOPE FINISHED GRADE  
 AWAY FROM BUILDING \_\_\_\_\_

GROUT FILL BELOW GRADE \_\_\_\_\_  
 APPROVED MEMBRANE WATER-  
 PROOFING AT ALL SURFACES  
 BELOW GRADE \_\_\_\_\_  
 APPROVED JOIST HANGER \_\_\_\_\_  
 MASONRY VENEER (VERIFY CODE APPROVED  
 GRADE CLEARANCE FOR PROJECT LOCATION) \_\_\_\_\_  
 ICF LEDGER CONNECTOR SYSTEM  
 AS MFG. BY "SIMPSON STRONG-TIE INC.) \_\_\_\_\_

SEE ADDITIONAL INFORMATION  
 ABOUT "SIMPSON" PRODUCTS  
 ONLINE - WWW.STRONGTIE.COM  
 OR CONTACT ENGINEERING  
 SUPPORT @ 1-800-999-5099




2 ALTERNATE SECTION DETAIL  
 14 SCALE: 1" = 1'-0"

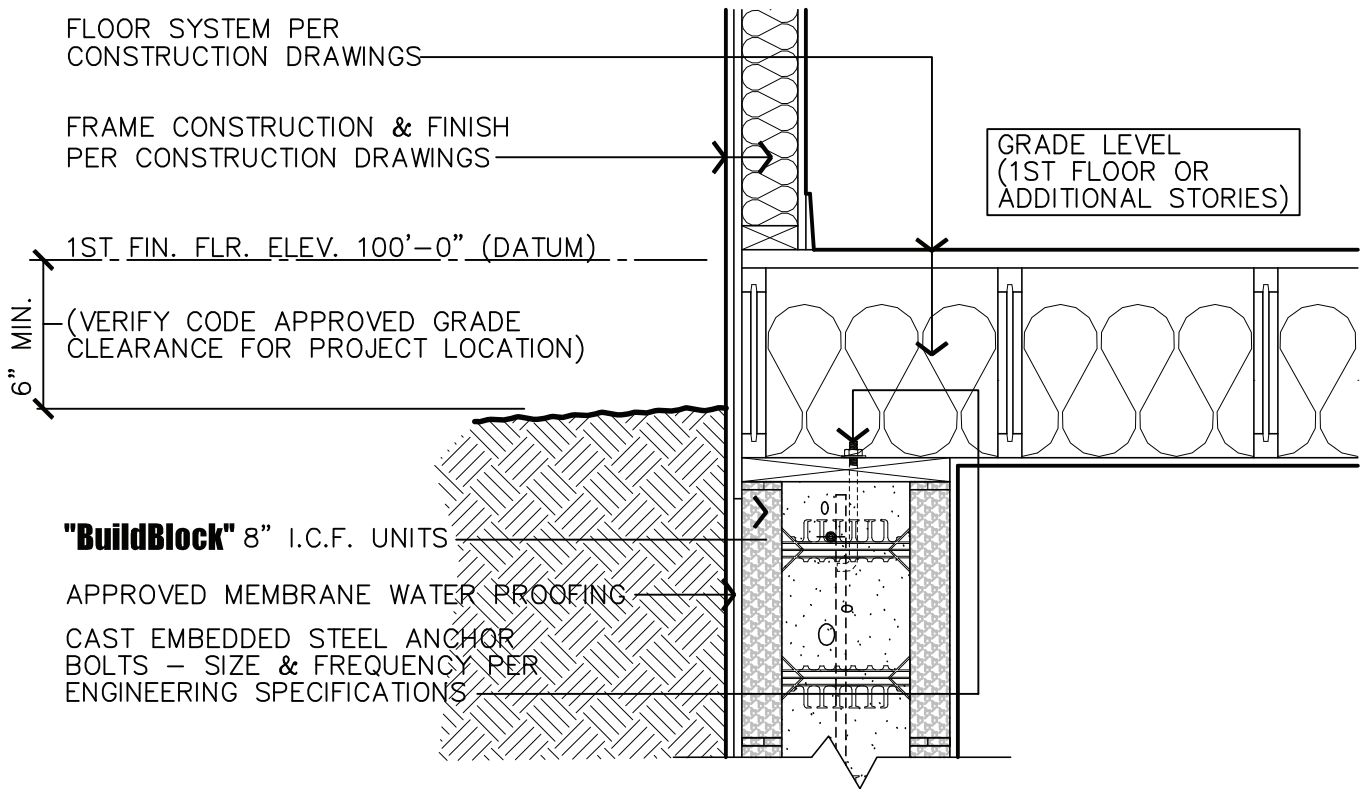


1 SECTION DETAIL  
 14 SCALE: 1" = 1'-0"

NOTE:  
 DUE TO VARIATIONS IN SELECTED  
 PRINTER SETTINGS, NOTED SCALES  
 MAY NO LONGER BE APPLICABLE

	<b>BUILDBLOCK 6" TYPICAL FLOOR INTERSECTIONS</b>			
	DATE/REV	11-17-09	SCALE NTS	DETAIL SHEET
	NOTES			<b>14</b>
9705 N. BROADWAY EXTENSION, SUITE 200, OKLAHOMA CITY, OK 73114 OFFICE: 405-840-3386   TOLL FREE: 866-222-2575   FAX: 831-597-0792 BUILDBLOCK.COM		CONSTRUCTION SHALL BE IN ACCORDANCE WITH ALL APPLICABLE LOCAL AND NATIONAL CODES. ALL DRAWINGS ARE SUBJECT TO CHANGE WITHOUT NOTICE.		


NOTE:  
 INSTALL APPROVED MEMBRANE WATER-  
 PROOFING AT ALL SURFACES BELOW GRADE  
 EXTEND 12" MIN. ABOVE FINAL GRADE



1  
14a

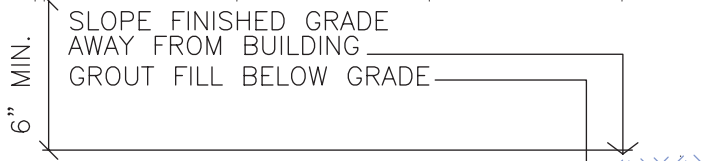
SECTION DETAIL  
 SCALE: 1" = 1'-0"

NOTE:  
 DUE TO VARIATIONS IN SELECTED  
 PRINTER SETTINGS, NOTED SCALES  
 MAY NO LONGER BE APPLICABLE

	<b>FRAME FLOOR TOP BEARING</b>			DETAIL SHEET
	DATE/REV	10-04-07 / 4	SCALE	NTS
	NOTES			
9705 N. BROADWAY EXTENSION, SUITE 200, OKLAHOMA CITY, OK 73114 OFFICE: 405-840-3386   TOLL FREE: 866-222-2575   FAX: 831-597-0792 BUILDBLOCK.COM	CONSTRUCTION SHALL BE IN ACCORDANCE WITH ALL APPLICABLE LOCAL AND NATIONAL CODES. ALL DRAWINGS ARE SUBJECT TO CHANGE WITHOUT NOTICE.			<b>14A</b>

NOTE:  
 INSTALL APPROVED MEMBRANE WATER-  
 PROOFING AT ALL SURFACES BELOW GRADE  
 EXTEND 12" MIN. ABOVE FINAL GRADE

FLOOR SYSTEM PER  
 CONSTRUCTION DRAWINGS \_\_\_\_\_  
 CONTINUOUS LEDGER BOARD \_\_\_\_\_  
 WEEP HOLES PER SECTION 703.7.6  
 OF THE IRC 2003 CODE \_\_\_\_\_  
 1ST FIN. FLR. ELEV. 100'-0" (DATUM)

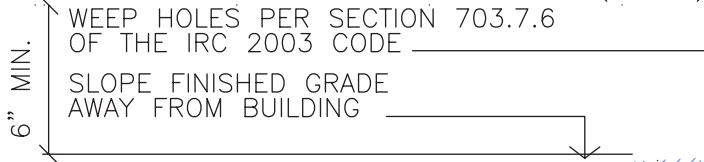


APPROVED JOIST HANGER \_\_\_\_\_  
 MASONRY VENEER (VERIFY CODE APPROVED  
 GRADE CLEARANCE FOR PROJECT LOCATION) \_\_\_\_\_  
 APPROVED MEMBRANE WATER PROOFING \_\_\_\_\_  
 CAST EMBEDDED STEEL ANCHOR  
 BOLTS - SIZE & FREQUENCY PER  
 ENGINEERING SPECIFICATIONS \_\_\_\_\_

EXTERIOR  
 APPLICATIONS

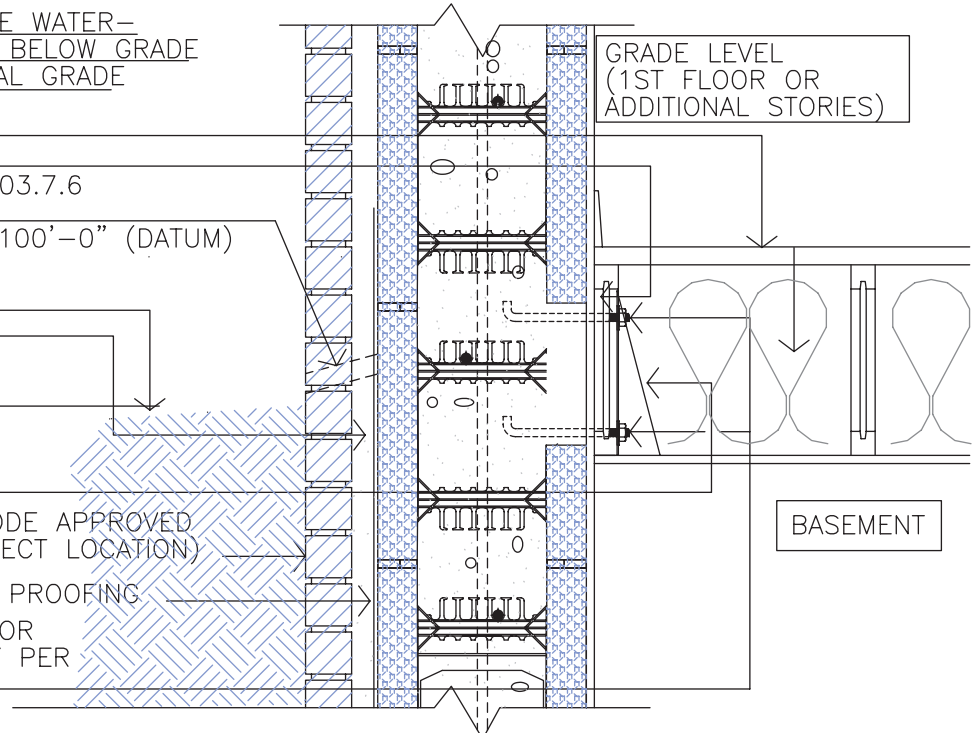
FLOOR SYSTEM FOR EXTERIOR  
 APPLICATION SUCH AS WOOD OR  
 METAL DECKS MAY USE A SIMILAR  
 ANCHORING SYSTEM TO THOSE SHOWN  
 ON THIS DETAIL SHEET

FLOOR SYSTEM PER  
 CONSTRUCTION DRAWINGS \_\_\_\_\_  
 CONTINUOUS LEDGER BOARD \_\_\_\_\_  
 1ST FIN. FLR. ELEV. 100'-0" (DATUM)

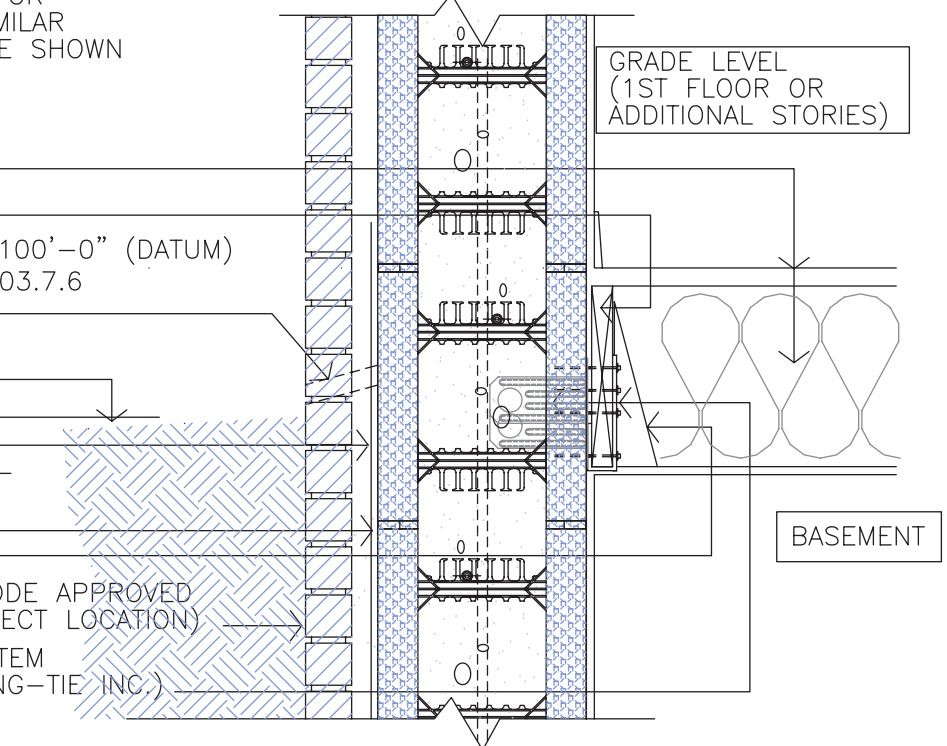


APPROVED MEMBRANE WATER-  
 PROOFING AT ALL SURFACES  
 BELOW GRADE \_\_\_\_\_  
 APPROVED JOIST HANGER \_\_\_\_\_  
 MASONRY VENEER (VERIFY CODE APPROVED  
 GRADE CLEARANCE FOR PROJECT LOCATION) \_\_\_\_\_  
 ICF LEDGER CONNECTOR SYSTEM  
 AS MFG. BY "SIMPSON STRONG-TIE INC.) \_\_\_\_\_

SEE ADDITIONAL INFORMATION  
 ABOUT "SIMPSON" PRODUCTS  
 ONLINE - WWW.STRONGTIE.COM  
 OR CONTACT ENGINEERING  
 SUPPORT @ 1-800-999-5099



2 ALTERNATE SECTION DETAIL  
 SCALE: 1" = 1'-0"



1 SECTION DETAIL  
 SCALE: 1" = 1'-0"

NOTE:  
 DUE TO VARIATIONS IN SELECTED  
 PRINTER SETTINGS, NOTED SCALES  
 MAY NO LONGER BE APPLICABLE



BUILDBLOCK 8" TYPICAL FLOOR WALL INTERSECTIONS

DATE/REV	11-17-09	SCALE	NTS	DETAIL SHEET
----------	----------	-------	-----	--------------

NOTES	
-------	--

9705 N. BROADWAY EXTENSION, SUITE 200, OKLAHOMA CITY, OK 73114  
 OFFICE: 405-840-3386 | TOLL FREE: 866-222-2575 | FAX: 831-597-0792  
 BUILDBLOCK.COM

CONSTRUCTION SHALL BE IN ACCORDANCE WITH ALL APPLICABLE  
 LOCAL AND NATIONAL CODES. ALL DRAWINGS ARE SUBJECT TO  
 CHANGE WITHOUT NOTICE.

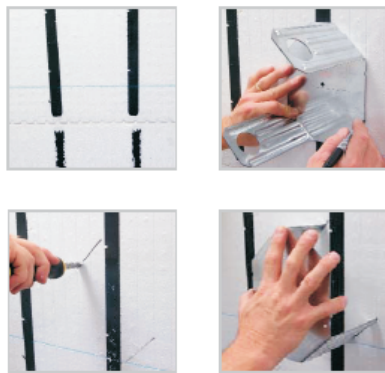
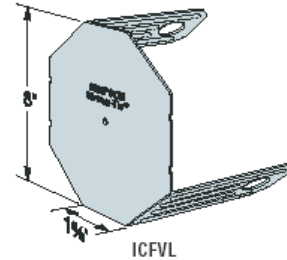
14B

# ICF Connectors



The ICF Ledger Connector System is engineered to solve the challenges of mounting wood or steel ledgers to insulated concrete form (ICF) walls. This flier provides information on the various products we have to serve the ICF market.

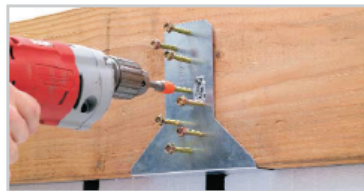
This year Simpson is introducing a new component of the system—the ICFVL—designed to provide both vertical and lateral, in-plane resistance. The system is still quick, versatile and easy to use but now provides so much more! Simpson's ICFVL is made from galvanized, 14 gauge steel. The embedded legs are embossed for additional stiffness and the holes allow for concrete to flow through and around the connector. The exposed flange on the face of the ICF provides a structural surface for mounting either a wood or steel ledger.



### INSTALLATION OF ICFVL:

- Snap a line for the bottom of the ledger and mark the on center spacing
- Use the ICFVL to mark the kerf locations in the ICF
- Cut the kerfs as marked
- Insert the ICFVL flush to the face of the ICF
- Place concrete (min f'c = 2500 psi).

**Installation tip:** Use a screw through diamond hole in face of ICFVL and into web to hold in place during concrete pour (remove prior to ledger installation).



### ATTACHMENT OF WOOD LEDGER

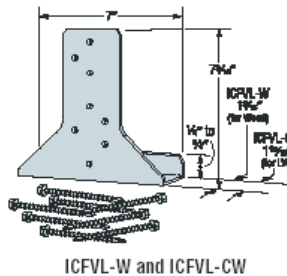
- Slip the appropriate ledger connector underneath the wood ledger (as shown)
- Install the eight ICF-D3 screws partially into the ledger
- Position the ledger level to the chalk line and drive the screws through the wood and into the ICFVL
- All screws should be located at least 1/2" from the edge of the ICFVL

**Note:** Do not splice at the ICFVL-W or ICFVL-CW's location.



### ATTACHMENT OF STEEL LEDGER

- Position the ledger level to the chalk line and drive the required number of screws through the steel ledger and into the ICFVL
- All screws should be located at least 1/2" from the edge of the ICFVL
- Space screws evenly



ICFVL-W and ICFVL-CW

800-999-5099  
www.strongtie.com

© Copyright 2005 Simpson Strong-Tie Company, Inc.

Printed in the USA

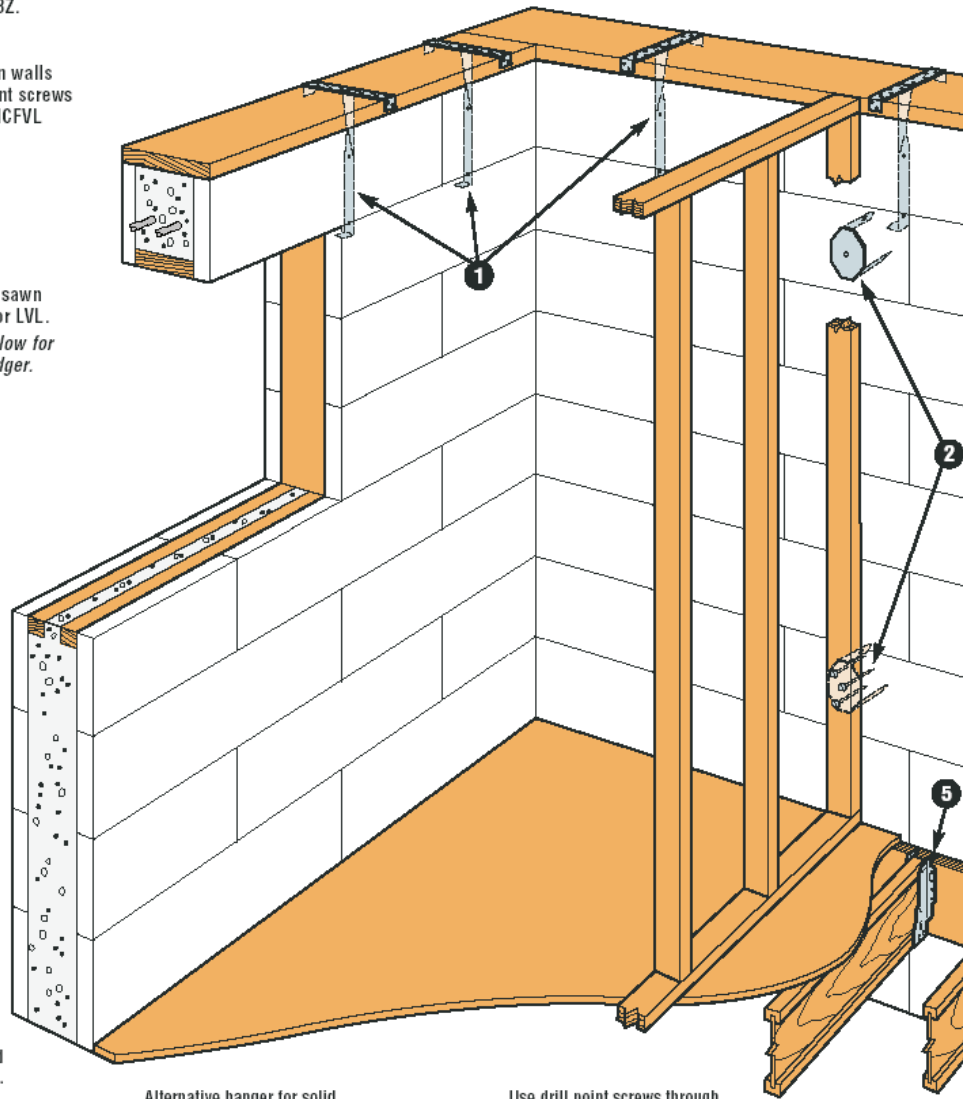
F-ICFVL06 12/05 exp. 1/08

DETAIL SHEET CONTAINS SPECIFICATIONS AND DETAILS PROVIDED BY SIMPSON STRONG-TIE INC. BUILDBLOCK ASSUMES NO LIABILITY FOR THE USE OF ANY INFORMATION PROVIDED BY THE MANUFACTURER. IT SHALL BE THE USERS RESPONSIBILITY TO VERIFY THE CURRENT STATUS AND APPLICATION CHANGES WITH THE MANUFACTURER. CONTACT: ON-LINE WWW.STONGTIE.COM - ENGINEERING SUPPORT AT 1-800-999-5099

<p>9705 N. BROADWAY EXTENSION, SUITE 200, OKLAHOMA CITY, OK 73114 OFFICE: 405-840-3386   TOLL FREE: 866-222-2575   FAX: 831-597-0792 BUILDBLOCK.COM</p>	<b>SIMPSON ICF CONNECTORS</b>			DATE/REV 03-12-07 /2	SCALE NTS	DETAIL SHEET
	NOTES					
	CONSTRUCTION SHALL BE IN ACCORDANCE WITH ALL APPLICABLE LOCAL AND NATIONAL CODES. ALL DRAWINGS ARE SUBJECT TO CHANGE WITHOUT NOTICE.			<b>15</b>		

## ICF Connectors

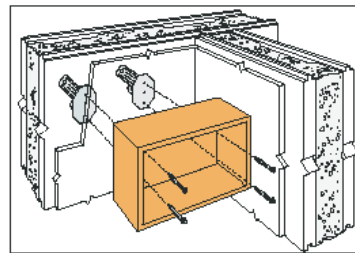
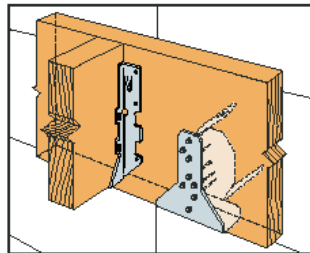
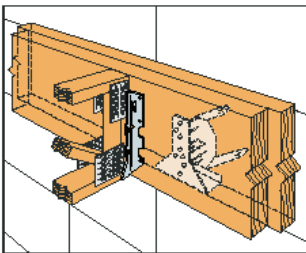
- 1 Use MAB15Z or MAB23Z.
- 2 Attach interior partition walls with 1/4"-14 #3 drill point screws (sold separately) into ICFVL where needed.
- 3 Use ICFVL to attach ledger to ICF.
- 4 Use ICFVL-W for solid sawn lumber or ICFVL-CW for LVL.  
*NOTE: See drawing below for detail on double 2x ledger.*
- 5 Use IUS hanger for I-joint floor system.



Typical face mount floor truss hangers include, but not limited to, LUS, HUS, HGUS and HHUS. Attachment of second ledger to be designed by others.

Alternative hanger for solid sawn floor joist using LUS.

Use drill point screws through wood cabinets and into ICFVL.



2

DETAIL SHEET CONTAINS SPECIFICATIONS AND DETAILS PROVIDED BY SIMPSON STRONG-TIE INC. BUILDBLOCK ASSUMES NO LIABILITY FOR THE USE OF ANY INFORMATION PROVIDED BY THE MANUFACTURER. IT SHALL BE THE USER'S RESPONSIBILITY TO VERIFY THE CURRENT STATUS AND APPLICATION CHANGES WITH THE MANUFACTURER. CONTACT: ON-LINE WWW.STONGTIE.COM - ENGINEERING SUPPORT AT 1-800-999-5099



9705 N. BROADWAY EXTENSION, SUITE 200, OKLAHOMA CITY, OK 73114  
OFFICE: 405-840-3386 | TOLL FREE: 866-222-2575 | FAX: 831-597-0792  
BUILDBLOCK.COM

### SIMPSON ICF CONNECTORS

DATE/REV 03-12-07 /2

SCALE NTS

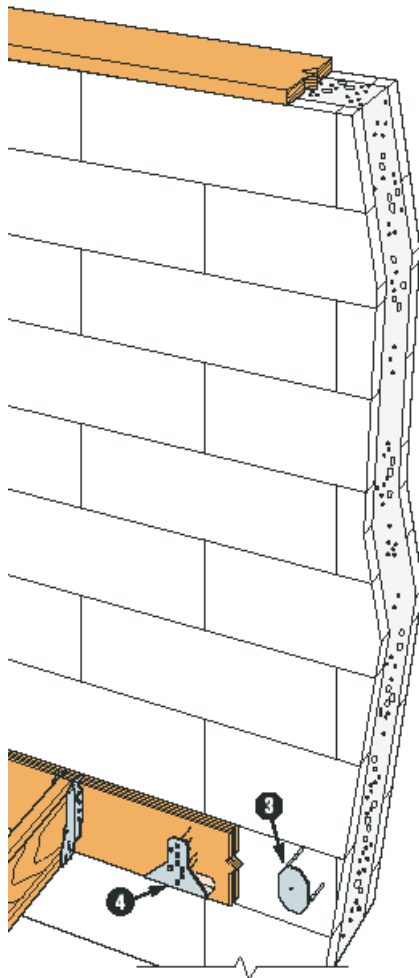
DETAIL SHEET

NOTES

CONSTRUCTION SHALL BE IN ACCORDANCE WITH ALL APPLICABLE LOCAL AND NATIONAL CODES. ALL DRAWINGS ARE SUBJECT TO CHANGE WITHOUT NOTICE.

# 15A

## Plate Connections

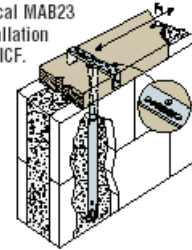


### Anchor Spacing

Model No.	O.C. Spacing to replace 1/2" Anchor Bolt 6' O.C.		O.C. Spacing to replace 3/8" Anchor Bolt 6' O.C.		Min. Concrete End Distance	Min. C-C Spacing
	(133)	(160)	(133)	(160)		
MAB15	3 1/2'	3'	2 1/2'	2'	6 1/2"	13'
MAB23	3 1/2'	3'	2 1/2'	2'	12"	24'

1. Place anchors not more than 1' from the end of each sill per code.
2. Spacing is based on parallel to plate load direction only.
3. All grout and concrete min.  $f_c$  2000 psi.

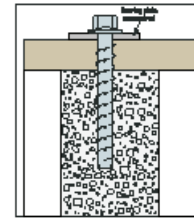
Typical MAB23 Installation into ICF.



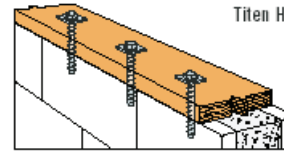
### Anchor Spacing

Titen HD Size (in)	Titen HD Model #	Sill Plate Size (in)	Min. Edge Dist. (in)	Min. End Dist. (in)	Min Wall Width (in)
1/2 x 6	THD50600H	2x or 3x	1 1/4	8	6
5/8 x 6	THD62600H	2x	1 1/4	10	6
5/8 x 6 1/2	THD62612H	3x	1 1/4	10	6

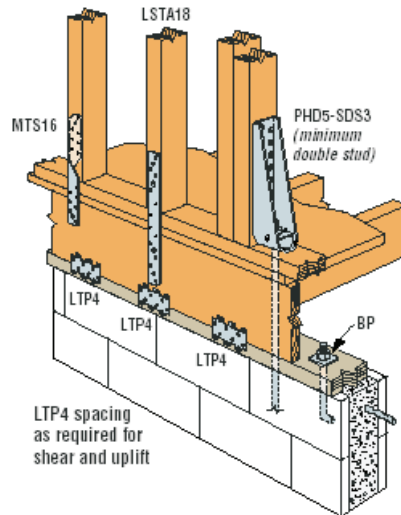
1. Min. concrete strength 2500 psi.
2. For ACO or CA lumber order products Mechanically Galvanized (MG). For additional information, visit [www.stongtie.com/info](http://www.stongtie.com/info)
3. Designs based on a minimum embedment of 3/4" for 1/2" Titen HDs and 3/2" for 5/8" Titen HDs.
4. For additional information, refer to the latest Simpson Anchor & Fastening Systems for Concrete & Masonry catalog.
5. Direct 1 to 1 replacement is based on parallel-to-plate, perpendicular-to-plate, and tension comparisons to a cast-in-place anchor bolt of equivalent diameter.



Titen HD



Titen HD installation into ICF.



DETAIL SHEET CONTAINS SPECIFICATIONS AND DETAILS AS PROVIDED BY SIMPSON STRONG-TIE INC. BUILDBLOCK ASSUMES NO LIABILITY FOR THE USE OF ANY INFORMATION PROVIDED BY THE MANUFACTURER. IT SHALL BE THE USER'S RESPONSIBILITY TO VERIFY THE CURRENT STATUS AND APPLICATION CHANGES WITH THE MANUFACTURER. CONTACT: ON-LINE WWW.STONGTIE.COM - ENGINEERING SUPPORT AT 1-800-999-5099



9705 N. BROADWAY EXTENSION, SUITE 200, OKLAHOMA CITY, OK 73114  
OFFICE: 405-840-3386 | TOLL FREE: 866-222-2575 | FAX: 831-597-0792  
BUILDBLOCK.COM

### SIMPSON ICF CONNECTORS

DATE/REV 03-12-07 / 1 SCALE NTS

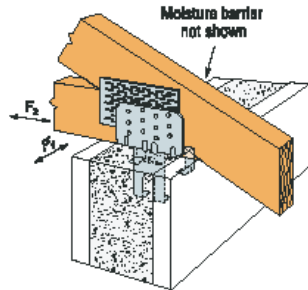
DETAIL SHEET

NOTES

CONSTRUCTION SHALL BE IN ACCORDANCE WITH ALL APPLICABLE LOCAL AND NATIONAL CODES. ALL DRAWINGS ARE SUBJECT TO CHANGE WITHOUT NOTICE.

# 15B

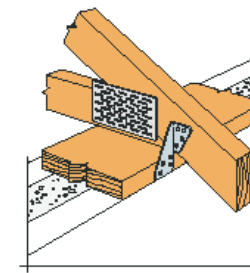
## Truss Connections



Lateral Truss Anchor (LTA) for high uplift and lateral values eliminates treated plate.

See Simpson catalog for additional information on Lateral Truss Anchors.

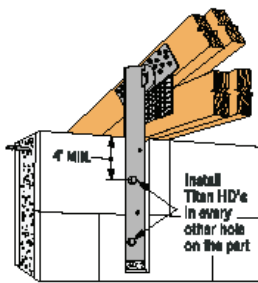
Model No.	Fasteners	Allowable Loads (133/160) - DF/SP		
		Uplift	Lateral	
			F1	F2
LTA1	12-10dx1 1/2	1420	485	1425



H4 for single plate to truss connection.

See Simpson catalog for additional information and other models of Seismic and Hurricane Ties.

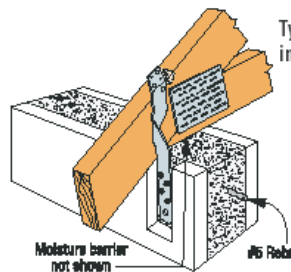
Model No.	Ga	Fasteners			Allowable Loads (133/160) - DF/SP		
		To Rafter or Truss		To Plates	Uplift	Lateral	
		Single ply	2 ply or greater			F1	F2
H4	18	4-8dx1 1/2	4-8d	4-8d	360	165	160



FGTR installation into ICF.

See Simpson catalog for additional information on Face Mount Girder Tiedowns.

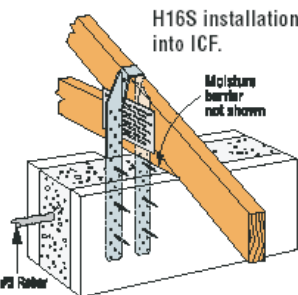
Model No.	Fasteners		Allowable Uplift Loads (133/160)
	To Rafters or Truss	To Concrete	
FGTR	18-SDS 1/4x3	2-1/2x5 Titen HD	5000



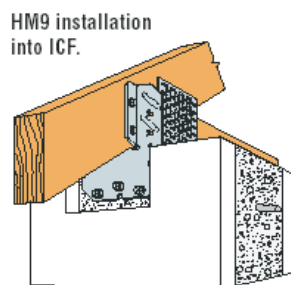
Typical MTSM20 installation into ICF.

See Simpson catalog for additional information and other models of Twist Straps.

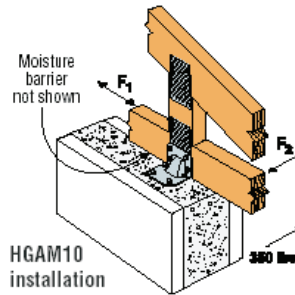
Model No.	L	Fasteners			Allowable Uplift Loads (133/160)	
		To Rafter or Truss		To Concrete	DF/SP	SPF
		Single ply	2 ply or greater			
MTSM20	20	7-10dx1 1/2	7-10d	4-1/2x1 1/4 Titen	840	730



H16S installation into ICF.



HM9 installation into ICF.



HGAM10 installation into ICF.

Model No.	Ga	Fasteners		Allowable Loads					
		To Rafter or Truss	To Concrete	DF/SP (133/160)			SPF (133/160)		
				Uplift	F1	F2	Uplift	F1	F2
H16S	18	2-10dx1 1/2	6-1/4x1 1/4 Titen	1470	-	-	1265	-	-
HM9	18	4-SDS 1/4x1 1/2	5-1/4x1 1/4 Titen	595	425	200	595	425	200
HGAM10	14	4-SDS 1/4x1 1/2	4-1/4x1 1/4 Titen	850	1005	1105	850	870	815

1. Loads have been increased 33 and 60% for earthquake or wind loading with no further increase allowed. Reduce where other loads govern.
2. Minimum edge distance is 1 1/2" when using Titen screws.
3. See Simpson catalog for additional dimensional, installation and loading information.

DETAIL SHEET CONTAINS SPECIFICATIONS AND DETAILS AS PROVIDED BY SIMPSON STRONG-TIE INC. BUILDBLOCK ASSUMES NO LIABILITY FOR THE USE OF ANY INFORMATION PROVIDED BY THE MANUFACTURER. IT SHALL BE THE USER'S RESPONSIBILITY TO VERIFY THE CURRENT STATUS AND APPLICATION CHANGES WITH THE MANUFACTURER. CONTACT: ON-LINE WWW.STONGTIE.COM - ENGINEERING SUPPORT AT 1-800-999-5099

	<b>SIMPSON ICF CONNECTORS</b>			
	DATE/REV 03-12-07 /1	SCALE NTS	DETAIL SHEET	
9705 N. BROADWAY EXTENSION, SUITE 200, OKLAHOMA CITY, OK 73114 OFFICE: 405-840-3386   TOLL FREE: 866-222-2575   FAX: 831-597-0792 BUILDBLOCK.COM	CONSTRUCTION SHALL BE IN ACCORDANCE WITH ALL APPLICABLE LOCAL AND NATIONAL CODES. ALL DRAWINGS ARE SUBJECT TO CHANGE WITHOUT NOTICE.		<b>15C</b>	



## ICF Connectors

### GENERAL NOTES:

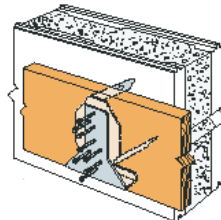
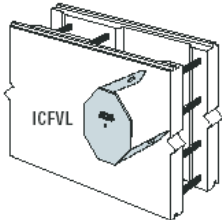
1. These products are not intended for use on pressure-treated lumber.
2. Do not splice ledger at ICFVL location.
3. No load duration increase is allowed.
4. Minimum concrete compressive strength (f'c) is 2500 psi.

**WARNING:** Industry studies show that hardened fasteners can experience performance problems in wet environments. Accordingly, use this product in dry, interior applications only.

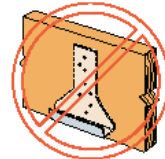
### WOOD LEDGERS

Allowable Loads (lbs) - ASD	
Vertical	Lateral
1940	1905

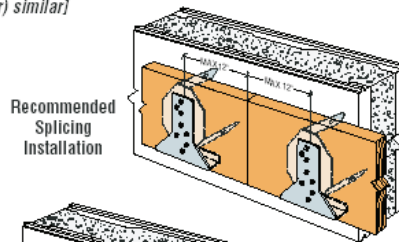
1. Use eight ICF-D3 screws (provided).
2. Loads apply to ICF's with wall thickness 2 3/4" or less. Contact Simpson for allowable loads on thicker walls.
3. Loads assume a minimum Spruce-Pine-Fir ledger.



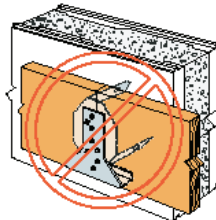
Typical Wood Ledger Installation with ICFVL and ICFVL-W (ICFVL-CW for LVL Ledger) similar



MISINSTALLATION!



Recommended Splicing Installation



Splicing MISINSTALLATION!

ICFVL Spacing to Replace Anchor Bolts							
1/2" Diameter Bolts				5/8" Diameter Bolts			
12" o.c.	24" o.c.	36" o.c.	48" o.c.	12" o.c.	24" o.c.	36" o.c.	48" o.c.
48"	48"	48"	48"	43'	48'	48"	48'
(2) 5/8" Diameter Bolts				3/4" Diameter Bolts			
12" o.c.	24" o.c.	36" o.c.	48" o.c.	12" o.c.	24" o.c.	36" o.c.	48" o.c.
21"	42"	48"	48"	39'	48'	48"	48'

1. The Designer may specify different spacing based on the load requirements.
2. Spacings are based on perpendicular to grain capacity of bolt in wood ledger compared to tested value of ICFVL with a maximum allowable spacing of 48".

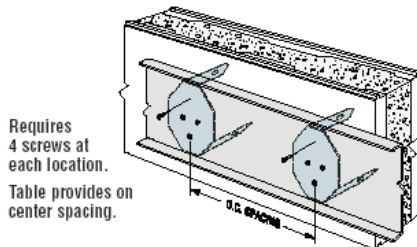
### STEEL LEDGERS

Allowable Loads (lbs) - ASD	
Vertical	Lateral
1660	1525

1. Use four 1/4-14x3/4", #3 drill point screws (not provided).
2. Loads apply to ICF's with wall thickness 2 3/4" or less. Contact Simpson for allowable loads on thicker walls.

Ledger Thickness (mils)	Spacing to Replace Anchor Bolts			
	1/2" Diameter Bolts		5/8" Diameter Bolts	
	12" o.c.	24" o.c.	12" o.c.	24" o.c.
68 mils (0.068")	11"	22"	9"	18"
54 mils (0.054")	15"	30"	12"	24"

1. For steel ledgers, the 68 mil ledger spacing is closer than the 54 mil ledger because the calculated load of a bolt is higher in a thicker piece of steel.
2. Steel ledger values are based on steel. Fu = 60 ksi.



Requires 4 screws at each location. Table provides on center spacing.

Typical Steel Ledger Installation with ICFVL (Minimum 16 gauge steel ledger)

DETAIL SHEET CONTAINS SPECIFICATIONS AND DETAILS AS PROVIDED BY SIMPSON STRONG-TIE INC. BUILDBLOCK ASSUMES NO LIABILITY FOR THE USE OF ANY INFORMATION PROVIDED BY THE MANUFACTURER. IT SHALL BE THE USER'S RESPONSIBILITY TO VERIFY THE CURRENT STATUS AND APPLICATION CHANGES WITH THE MANUFACTURER. CONTACT: ON-LINE WWW.STONGTIE.COM - ENGINEERING SUPPORT AT 1-800-999-5099



9705 N. BROADWAY EXTENSION, SUITE 200, OKLAHOMA CITY, OK 73114  
OFFICE: 405-840-3386 | TOLL FREE: 866-222-2575 | FAX: 831-597-0792  
BUILDBLOCK.COM

### SIMPSON ICF CONNECTORS

DATE/REV	03-12-07 / 1	SCALE	NTS
NOTES			

DETAIL SHEET

# 15D

CONSTRUCTION SHALL BE IN ACCORDANCE WITH ALL APPLICABLE LOCAL AND NATIONAL CODES. ALL DRAWINGS ARE SUBJECT TO CHANGE WITHOUT NOTICE.

## ICF Connectors

The following spacing tables are an alternative to the ICFVL Spacing to Replace Anchor Bolts tables or allowable loads on page 5. They give the spacing of our ICFVL Ledger Connectors based on the allowable vertical load of the connector, the load on the floor and the span of the joists. The designer must determine the design load, the ledger design and joist design. This table is useful if the designer already has loads and spans, but not necessarily anchor bolt spacing.

Uniform Loads		ICFVL Spacing for Wood Ledger (in)									
Dead Load (PSF)	Live Load (PSF)	Joist Span (ft)									
		10	12	14	16	18	20	22	24	26	28
10	40	48	48	48	48	48	47	42	39	36	33
15	40	48	48	48	48	47	42	38	35	33	30
20	40	48	48	48	48	43	39	35	32	30	28
10	60	48	48	48	42	37	33	30	28	26	24
20	60	48	48	42	36	32	29	26	24	22	21
30	60	48	43	37	32	29	26	24	22	20	18
40	60	47	39	33	29	26	23	21	19	18	17
10	100	42	35	30	26	24	21	19	18	16	15
20	100	39	32	28	24	22	19	18	16	15	14

See notes below.

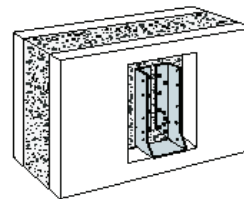
Uniform Loads		ICFVL Spacing for Steel Ledger (in)									
Dead Load (PSF)	Live Load (PSF)	Joist Span (ft)									
		10	12	14	16	18	20	22	24	26	28
10	40	48	48	48	48	44	40	36	33	31	28
15	40	48	48	48	45	40	36	33	30	28	26
20	40	48	48	47	42	37	33	30	28	26	24
10	60	48	47	41	36	32	28	26	24	22	20
20	60	48	42	36	31	28	25	23	21	19	18
30	60	44	37	32	28	25	22	20	18	17	16
40	60	40	33	28	25	22	20	18	17	15	14
10	100	36	30	26	23	20	18	16	15	14	13
20	100	33	28	24	21	18	17	15	14	13	12

1. Values shown are maximum spacing distances (in) based on simple span, uniformly loaded conditions and do not consider concentrated loads.
2. Joist and ledger are to be designed by others.
3. Allowable loads are based on testing, with no further increases allowed.
4. Tables above address vertical loads only. If connection is designed to resist lateral loads, spacing will decrease. Contact Simpson for current information.

Simpson offers many retrofit products for attaching wood or steel framing members to concrete. For expanded details contact us at (800) 999-5099 and request the current Simpson Anchor Systems catalog, or visit the Simpson Anchor Systems website at [www.simpsonanchors.com](http://www.simpsonanchors.com).

### Alternative Retrofit Solution for Direct Attachment of Joist to Wall

The HU and HUC hangers are heavy duty face mount joist hangers made from 14 ga galvanized steel. These hangers can be directly attached to concrete wall using 1/4x1 3/4" Titen Hex Head screws. See Simpson technical bulletin T-ANCHORSPEC for more information on installation and use.



HUC410  
Installed on  
face of concrete  
in ICF

*This flier is effective until January 31, 2008, and reflects information available as of December 1, 2005. This information is updated periodically and should not be relied upon after January 31, 2008; contact Simpson for current information and limited warranty or see [www.strongtie.com](http://www.strongtie.com).*

Home Office  
4120 Dublin Blvd., Ste 400  
Dublin, CA 94568  
FAX: 925/833-1496

Southwest USA  
260 N. Palm Street  
Brea, CA 92821  
FAX: 714/871-9167

Southeast USA  
2221 Country Lane  
McKinney, TX 75069  
FAX: 972/542-5379

Eastern Canada  
5 Kenview Blvd.  
Brampton, ON L6T 5G5  
FAX: 905/458-7274

Warehouses:  
Enfield, CT  
Jacksonville, FL  
Kent, WA  
Langley, BC

**800-999-5099**  
**[www.strongtie.com](http://www.strongtie.com)**

Northwest USA  
5151 S. Airport Way  
Stockton, CA 95206  
FAX: 209/234-3868

Northeast USA  
2600 International Street  
Columbus, OH 43228  
FAX: 614/876-0636

Quik Drive Factory  
436 Calvert Drive  
Gallatin, TN 37066  
FAX: 615/451-9806


Western Canada  
11476 Kingston St.  
Maple Ridge, BC V2X 0Y5  
FAX: 604/465-0297

© Copyright 2005 Simpson Strong-Tie Company, Inc.

Printed in the USA

F-ICFVL06 12/05 exp. 1/08

DETAIL SHEET CONTAINS SPECIFICATIONS AND DETAILS PROVIDED BY SIMPSON STRONG-TIE INC. BUILDBLOCK ASSUMES NO LIABILITY FOR THE USE OF ANY INFORMATION PROVIDED BY THE MANUFACTURER. IT SHALL BE THE USERS RESPONSIBILITY TO VERIFY THE CURRENT STATUS AND APPLICATION CHANGES WITH THE MANUFACTURER. CONTACT: ON-LINE WWW.STONGTIE.COM - ENGINEERING SUPPORT AT 1-800-999-5099

	<b>SIMPSON ICF CONNECTORS</b>			DETAIL SHEET
	DATE/REV	03-12-07 / 1	SCALE	NTS
NOTES	CONSTRUCTION SHALL BE IN ACCORDANCE WITH ALL APPLICABLE LOCAL AND NATIONAL CODES. ALL DRAWINGS ARE SUBJECT TO CHANGE WITHOUT NOTICE.			<b>15E</b>
9705 N. BROADWAY EXTENSION, SUITE 200, OKLAHOMA CITY, OK 73114 OFFICE: 405-840-3386   TOLL FREE: 866-222-2575   FAX: 831-597-0792 BUILDBLOCK.COM				

Miscellaneous

**ICFVL Ledger Connector System**



**NEW!** The ICFVL Ledger Connector System is engineered to solve the challenges of mounting wood or steel ledgers to insulated concrete form (ICF) walls. Simpson's new ICF component of the system, the ICFVL, is designed to provide both vertical and lateral, in-plane performance. The system is still quick, versatile and easy to use but now provides so much more! There are many benefits over traditional anchor bolting, including better on center spacing in most cases, faster installation and no protrusions.

Simpson's ICFVL is made from galvanized, 14 gauge steel. The embedded legs are embossed for additional stiffness and the hole allows for concrete to flow through and around the connector. The exposed flange on the face of the ICF provides a structural surface for mounting either a wood or steel ledger.

**MATERIAL:** ICFVL—14 gauge; ICFVL-CW and ICFVL-W—16 gauge  
**FINISH:** Galvanized

**INSTALLATION: ICFVL in ICF**

- Snap a chalk line for the bottom of the ledger.
- Mark required on center spacing.
- Use ICFVL to mark kerf locations.
- Cut kerfs as marked.
- Insert ICFVL flush to the face of the ICF.
- Place concrete.

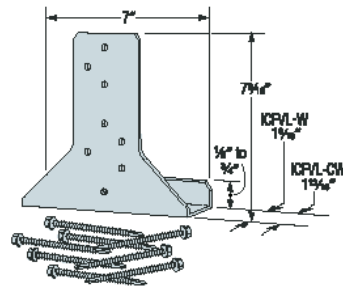
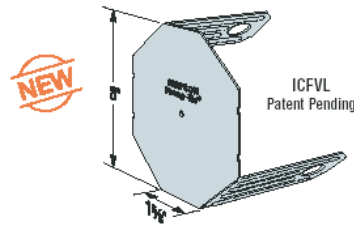
**Wood Ledger Attachment – ICFVL-W or -CW**

- Slip appropriate ledger connector underneath the ledger.
- Install the eight ICF-D3 screws partially into the ledger.
- Position the ledger level to the chalk line and drive the screws through the wood and into the ICFVL.

**Steel Ledger Attachment**

- Position the ledger level to the chalk line and against the ICFVL.
- Attach with four 1/4-14x3/4", #3 drill point screws (not provided).
- All screws should be located at least 1/2" from the edge of the ICFVL.
- Space screws evenly.

**WARNING:**  
Industry studies show that hardened fasteners can experience performance problems in wet environments. Accordingly, use this product in dry environments only.



**CODES:** See page 12 for Code Listing Key Chart.

Ledger Type	Fasteners	Allowable Load (lbs)	
		Download (100/115/125)	Lateral F <sub>L</sub> (133/160)
Wood	8-ICF D3	1940	1905
Steel	4 - 1/4x3/4"	1660	1525

1. Fasteners for wood ledger (D3) are provided with the part and fasteners for steel ledger are not provided.
2. Loads apply to ICF foam thicknesses of 2" or less. Contact Simpson for allowable loads on thicker walls.
3. Alternately, #14 x 3/4" fastener may be used.
4. Tabulated loads may not be increased.

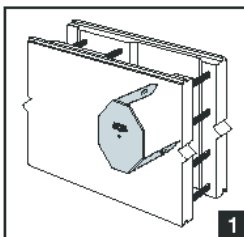
5. Concrete f'c = 2500 psi minimum.
6. When combining download and lateral loads, Designer shall evaluate as follows:  
Design Download/Allowable Download + Design Lateral Load/Allowable Lateral Load.

These tables address vertical load applications only.

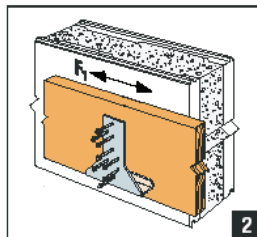
Ledger Type	Connector Type	ICFVL SPACING TO REPLACE ANCHOR BOLTS (in.) <sup>1,2,3</sup>																Code Ref.
		1/2" Dia. Anchors at				5/8" Dia. Anchors at				(2)-3/4" Dia. Anchors at				3/4" Dia. Anchors at				
		12" o.c.	24" o.c.	36" o.c.	48" o.c.	12" o.c.	24" o.c.	36" o.c.	48" o.c.	12" o.c.	24" o.c.	36" o.c.	48" o.c.	12" o.c.	24" o.c.	36" o.c.	48" o.c.	
<b>WOOD LEDGERS</b>																		
DF/SP/SPF	ICFVL w/ ICFVL-W	48	48	48	48	43	48	48	48	21	42	48	48	39	48	48	48	160
LVL	ICFVL w/ ICFVL-CW	48	48	48	48	43	48	48	48	21	42	48	48	39	48	48	48	160
<b>STEEL LEDGERS</b>																		
68 mils (0.068")	ICFVL	11	22	33	44	9	18	27	36	—	—	—	—	—	—	—	—	160
54 mils (0.054")	ICFVL	15	30	45	48	12	24	36	48	—	—	—	—	—	—	—	—	160

1. The Designer may specify different spacing based on the load requirements.
2. Spacings are based on perpendicular to grain capacity of bolt in wood ledger compared to tested value of ICFVL.
3. See F-ICFVL filer for additional connection details.
4. For steel ledgers, the 68 mil ledger spacing is closer than the 54 mil ledger because the calculated load of a bolt is higher in a thicker piece of steel.
5. Steel ledger values are based on steel. F<sub>U</sub> = 60 ksi.

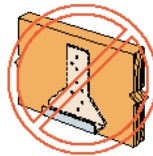
Typical Steel Ledger Installation with ICFVL (minimum 16 ga steel ledger)



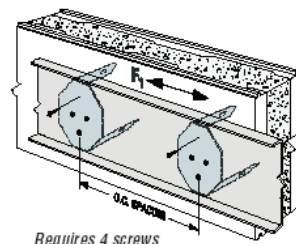
ICFVL



Typical Wood Ledger Installation with ICFVL and ICFVL-W



MISINSTALLATION!



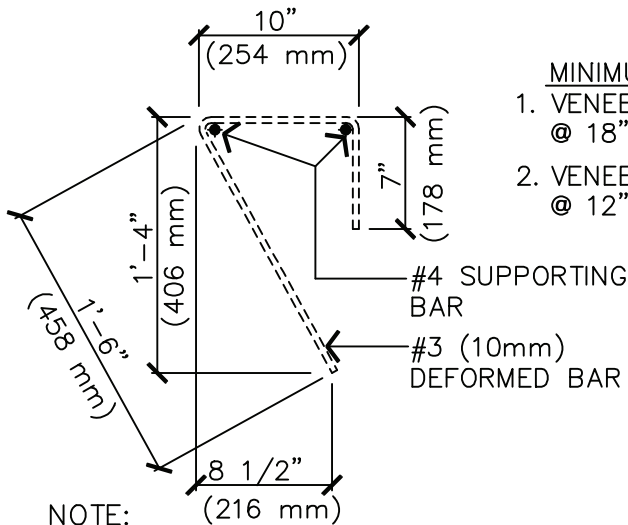
Requires 4 screws at each location. Table provides on center spacing.

Catalog C-2005 © Copyright 2005 SIMPSON STRONG-TIE CO., INC.

DETAIL SHEET CONTAINS SPECIFICATIONS AND DETAILS PROVIDED BY SIMPSON STRONG-TIE INC. BUILDBLOCK ASSUMES NO LIABILITY FOR THE USE OF ANY INFORMATION PROVIDED BY THE MANUFACTURER. IT SHALL BE THE USER'S RESPONSIBILITY TO VERIFY THE CURRENT STATUS AND APPLICATION CHANGES WITH THE MANUFACTURER. CONTACT: ON-LINE WWW.STONGTIE.COM - ENGINEERING SUPPORT AT 1-800-999-5099

172

	<b>SIMPSON ICF CONNECTORS</b>				
	DATE/REV	03-12-07 / 1	SCALE	NTS	DETAIL SHEET
	NOTES	15F			
9705 N. BROADWAY EXTENSION, SUITE 200, OKLAHOMA CITY, OK 73114 OFFICE: 405-840-3386   TOLL FREE: 866-222-2575   FAX: 831-597-0792 BUILDBLOCK.COM		CONSTRUCTION SHALL BE IN ACCORDANCE WITH ALL APPLICABLE LOCAL AND NATIONAL CODES. ALL DRAWINGS ARE SUBJECT TO CHANGE WITHOUT NOTICE.			



MINIMUM SPACING:

1. VENEER – 1000 lb/ft (15kN/m) @ 18" (450mm)
2. VENEER – 1500 lb/ft (22kN/m) @ 12" (300mm)

NOTE:

ALL BENDS PER ANSI & STEEL INSTITUTE STANDARDS  
-STEEL GRADES AS SPECIFIED  
- DIMENSIONS TYPICAL FOR ALL LEDGE BLOCK APPLICATIONS

**2** STIRRUP DETAIL  
SCALE: 1" = 1'-0"

**MASONRY VENEER WITH 6" "BuildBlock"**

MASONRY VENEER (VERIFY CODE APPROVED GRADE CLEARANCE FOR PROJECT LOCATION)

**"BuildBlock" 6" I.C.F. UNITS**  
GROUT FILL BELOW GRADE

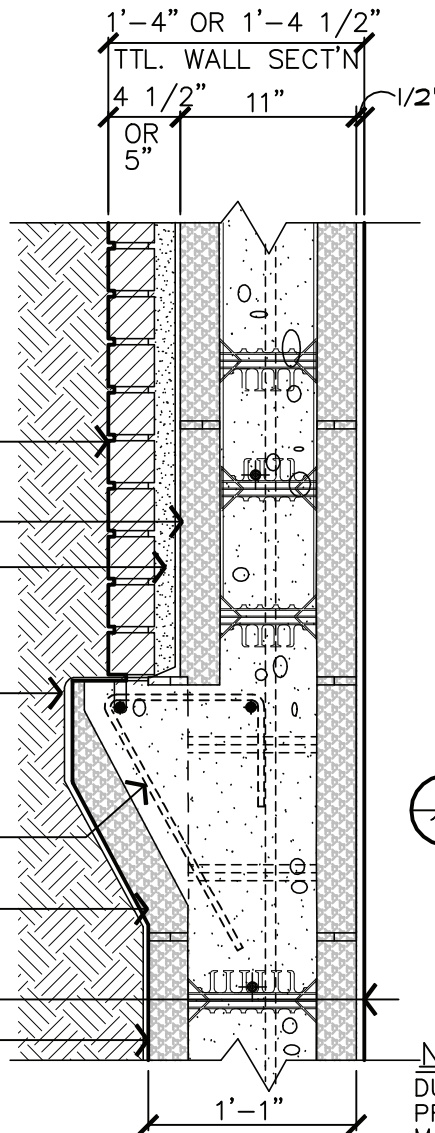
APPROVED MEMBRANE WATERPROOFING (ALL SURFACES BELOW GRADE)

REBAR STIRRUPS (SEE DETAIL OR AS ENGINEERED FOR SPECIFIC LOAD)

**"BuildBlock" LEDGE BLOCK**

1/2" GYP. BD. MIN. OR PER LOCAL CODES

**"BuildBlock" 8" I.C.F. UNITS**



**"BuildBlock"**

**LEDGE BLOCK SECTION DETAIL**

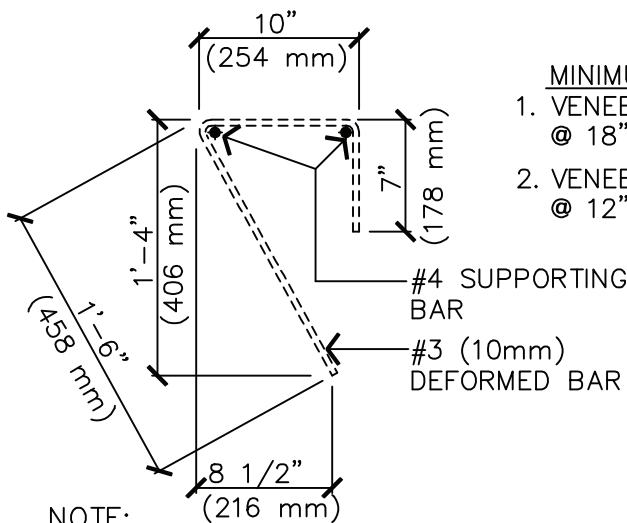
**1**  
**16**

SCALE: 1" = 1'-0"  
(ALSO REFER TO DETAIL SHEET 5 FOR "BUILD BLOCK" FORM DIMENSIONS)

NOTE:

DUE TO VARIATIONS IN SELECTED PRINTER SETTINGS, NOTED SCALES MAY NO LONGER BE APPLICABLE

	<b>BUILDBLOCK 6" LEDGE BLOCK APPLICATION 1</b>		DATE/REV 10-03-07 /4	SCALE NTS	DETAIL SHEET
	NOTES		CONSTRUCTION SHALL BE IN ACCORDANCE WITH ALL APPLICABLE LOCAL AND NATIONAL CODES. ALL DRAWINGS ARE SUBJECT TO CHANGE WITHOUT NOTICE.		
9705 N. BROADWAY EXTENSION, SUITE 200, OKLAHOMA CITY, OK 73114 OFFICE: 405-840-3386   TOLL FREE: 866-222-2575   FAX: 831-597-0792 BUILDBLOCK.COM	<h1>16</h1>				



- MINIMUM SPACING:**
1. VENEER – 1000 lb/ft (15kN/m) @ 18" (450mm)
  2. VENEER – 1500 lb/ft (22kN/m) @ 12" (300mm)

**NOTE:**  
 ALL BENDS PER ANSI &  
 STEEL INSTITUTE STANDARDS  
 – STEEL GRADES AS SPECIFIED  
 – DIMENSIONS TYPICAL FOR  
 ALL LEDGE BLOCK APPLICATIONS

**2** STIRRUP DETAIL  
 SCALE: 1" = 1'-0"

**MASONRY WITH  
 8" "BuildBlock"**

MASONRY VENEER (VERIFY  
 CODE APPROVED GRADE  
 CLEARANCE FOR PROJECT  
 LOCATION)

**"BuildBlock" 8" I.C.F. UNITS**  
 GROUT FILL BELOW GRADE

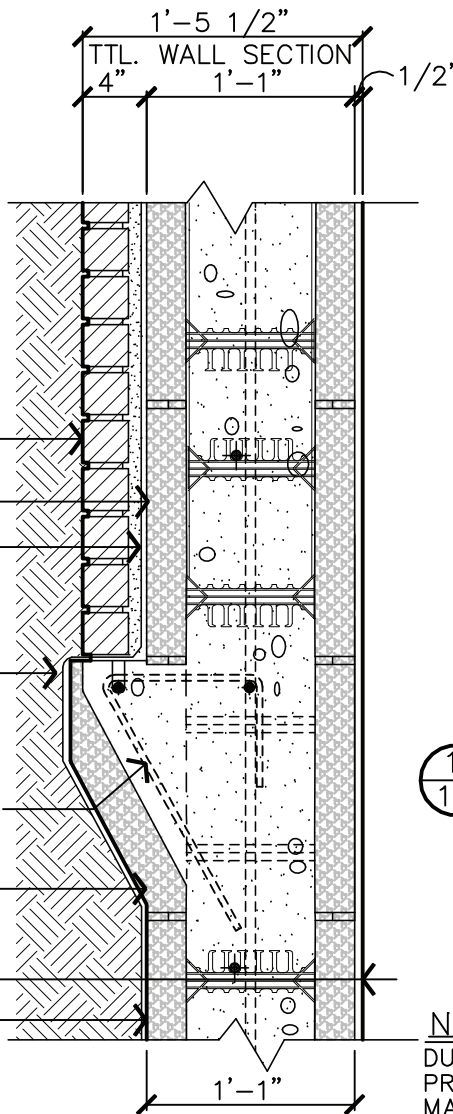
APPROVED MEMBRANE  
 WATERPROOFING  
 (ALL SURFACES  
 BELOW GRADE)

REBAR STIRRUPS (SEE DETAIL OR  
 AS ENGINEERED FOR SPECIFIC LOAD)

**"BuildBlock" LEDGE BLOCK**

1/2" GYP. BD. MIN. OR  
 PER LOCAL CODES

**"BuildBlock" 8" I.C.F. UNITS**



**"BuildBlock"  
 LEDGE BLOCK  
 SECTION DETAIL**

**1** SCALE: 1" = 1'-0"  
 (ALSO REFER TO DETAIL  
 SHEET 5 FOR "BUILD BLOCK"  
 FORM DIMENSIONS)

**NOTE:**  
 DUE TO VARIATIONS IN SELECTED  
 PRINTER SETTINGS, NOTED SCALES  
 MAY NO LONGER BE APPLICABLE

	<b>BUILDBLOCK 8" LEDGE BLOCK APPLICATION 2</b>		
	DATE/REV 10-03-07 /4	SCALE NTS	DETAIL SHEET
9705 N. BROADWAY EXTENSION, SUITE 200, OKLAHOMA CITY, OK 73114 OFFICE: 405-840-3386   TOLL FREE: 866-222-2575   FAX: 831-597-0792 BUILDBLOCK.COM	CONSTRUCTION SHALL BE IN ACCORDANCE WITH ALL APPLICABLE LOCAL AND NATIONAL CODES. ALL DRAWINGS ARE SUBJECT TO CHANGE WITHOUT NOTICE.		<b>17</b>

MASONRY VENEER (VERIFY CODE APPROVED GRADE CLEARANCE FOR PROJECT LOCATION)

**"BuildBlock" 6" I.C.F. UNITS**

GROUT FILL BELOW GRADE

CONTINUOUS THRU-WALL FLASHING

L8x6x1/2' (23L.B.F) MIN. OR AS REQUIRED BY ENGINEERING

4 1/2"  $\square$  MIN. FORM CUT AT  $\odot$  ANCHOR BOLT LOCATIONS  
ALL OPENINGS SHALL BE 1/2" LESS THAN THE VERTICAL HGT. OF THE APPLIED LEDGE MEMBER - CENTER LEDGE ON OPENING

CAST EMBEDDED STEEL ANCHOR BOLTS - SIZE & FREQUENCY PER ENGINEERING SPECIFICATIONS

**"BuildBlock" 8" I.C.F. UNITS**

MASONRY VENEER (VERIFY CODE APPROVED GRADE CLEARANCE FOR PROJECT LOCATION)

**"BuildBlock" 6" I.C.F. UNITS**

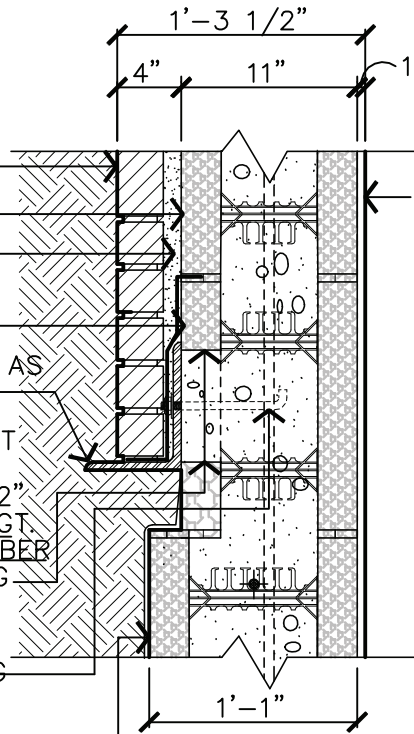
GROUT FILL BELOW GRADE

FIELD FORM W/ WOOD OR STEEL

APPROVED WATER PROOFING MEMBRANE

**"BuildBlock" 8" I.C.F. UNITS**

NOTE:  
INSTALL APPROVED MEMBRANE WATER-PROOFING AT ALL SURFACES BELOW GRADE EXTEND 12" MIN. ABOVE FINAL GRADE



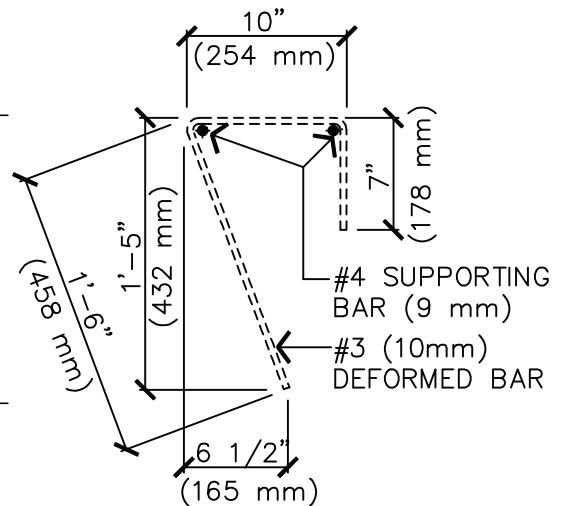
3  
18

STEEL ANGLE SECTION DETAIL  
SCALE: 1" = 1'-0"

1/2" GYP. BD. MIN. OR PER LOCAL CODES

MINIMUM SPACING:

1. VENEER - 1000 lb/ft (15kN/m @ 18" (450mm))
2. VENEER - 1500 lb/ft (22kN/m @ 12" (300mm))



NOTE:

ALL BENDS PER ANSI & STEEL INSTITUTE STANDARDS  
-STEEL GRADES AS SPECIFIED  
- DIMENSIONS TYPICAL FOR ALL LEDGE BLOCK APPLICATIONS

2  
18

STIRRUP DETAIL  
SCALE: 1" = 1'-0"

1/2" GYP. BD. MIN. OR PER LOCAL CODES

1  
18

FIELD FORMED SECTION DETAIL  
SCALE: 1" = 1'-0"

NOTE:

DUE TO VARIATIONS IN SELECTED PRINTER SETTINGS, NOTED SCALES MAY NO LONGER BE APPLICABLE



**BUILDBLOCK 6" & 8" LEDGE BLOCK APPLICATION 3**

DATE/REV 11-25-06 /3

SCALE NTS

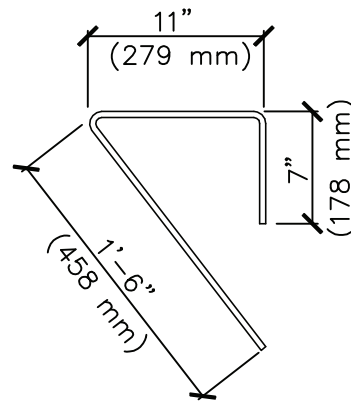
DETAIL SHEET

NOTES

9705 N. BROADWAY EXTENSION, SUITE 200, OKLAHOMA CITY, OK 73114  
OFFICE: 405-840-3386 | TOLL FREE: 866-222-2575 | FAX: 831-597-0792  
BUILDBLOCK.COM

CONSTRUCTION SHALL BE IN ACCORDANCE WITH ALL APPLICABLE LOCAL AND NATIONAL CODES. ALL DRAWINGS ARE SUBJECT TO CHANGE WITHOUT NOTICE.

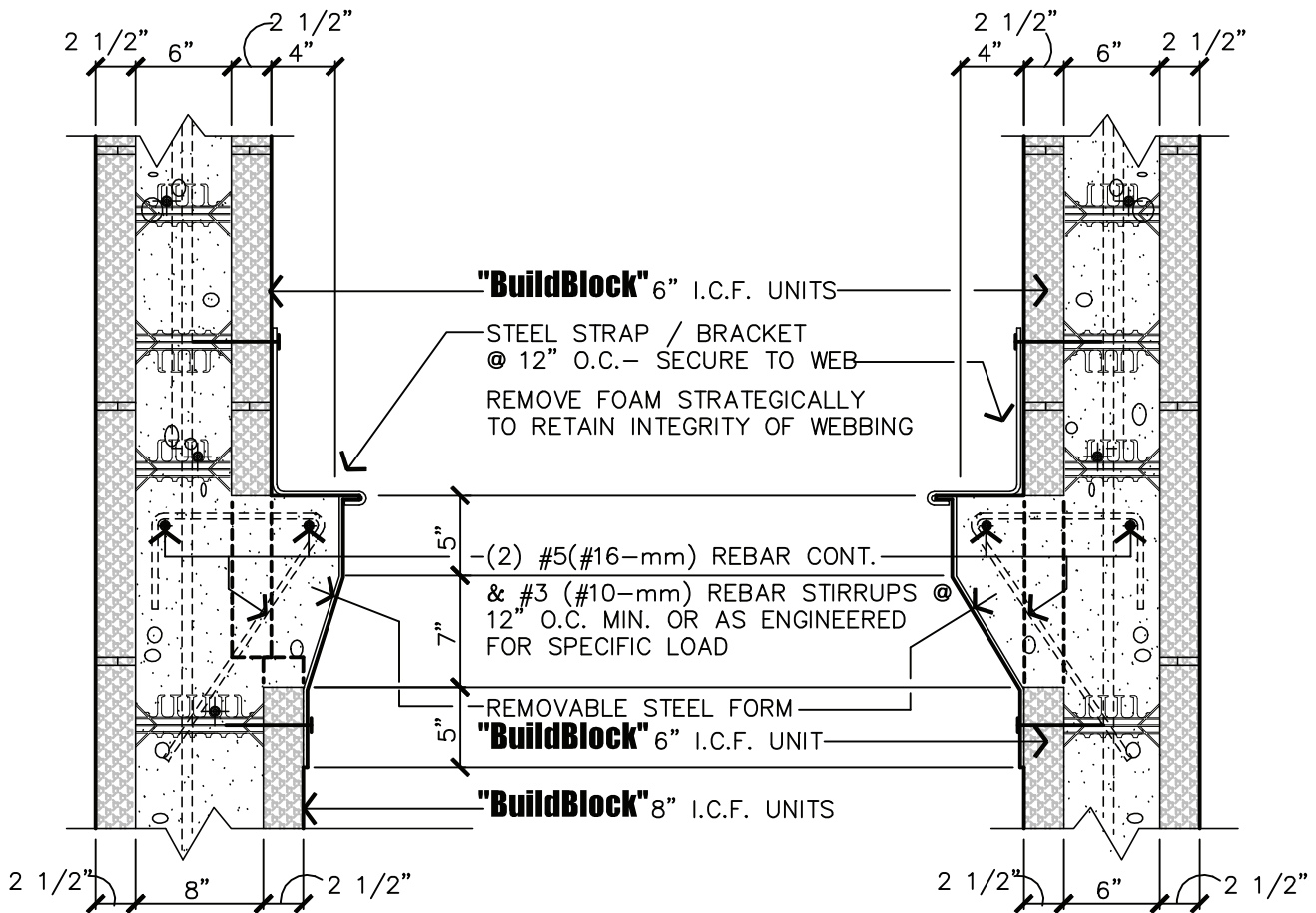
**18**



NOTE:

ALL BENDS PER ANSI &  
 STEEL INSTITUTE STANDARDS  
 - STEEL GRADES AS SPECIFIED  
 - DIMENSIONS TYPICAL FOR  
 ALL LEDGE BLOCK APPLICATIONS

**3** STIRRUP DETAIL  
 19 SCALE: 1" = 1'-0"



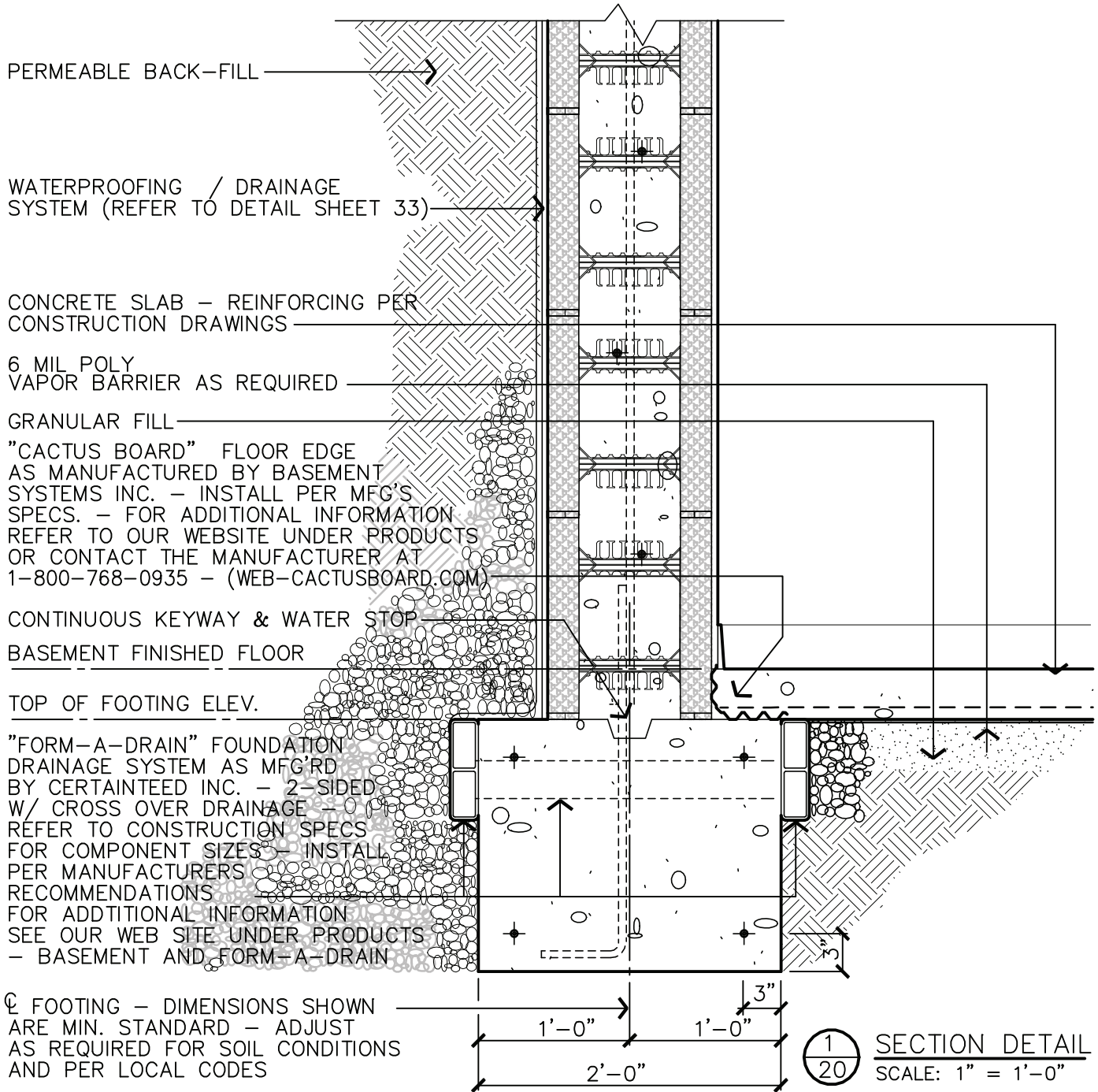
**2** SECTION DETAIL  
 19 SCALE: 1" = 1'-0"

**1** SECTION DETAIL  
 19 SCALE: 1" = 1'-0"

NOTE:


DUE TO VARIATIONS IN SELECTED  
 PRINTER SETTINGS, NOTED SCALES  
 MAY NO LONGER BE APPLICABLE

	<b>BUILDBLOCK 6" &amp; 8" MASONRY LEDGE FORM DETAILS</b>		
	DATE/REV 11-28-06 / 3	SCALE NTS	DETAIL SHEET
NOTES	CONSTRUCTION SHALL BE IN ACCORDANCE WITH ALL APPLICABLE LOCAL AND NATIONAL CODES. ALL DRAWINGS ARE SUBJECT TO CHANGE WITHOUT NOTICE.		
9705 N. BROADWAY EXTENSION, SUITE 200, OKLAHOMA CITY, OK 73114 OFFICE: 405-840-3386   TOLL FREE: 866-222-2575   FAX: 831-597-0792 BUILDBLOCK.COM	<span style="font-size: 48pt; font-weight: bold;">19</span>		

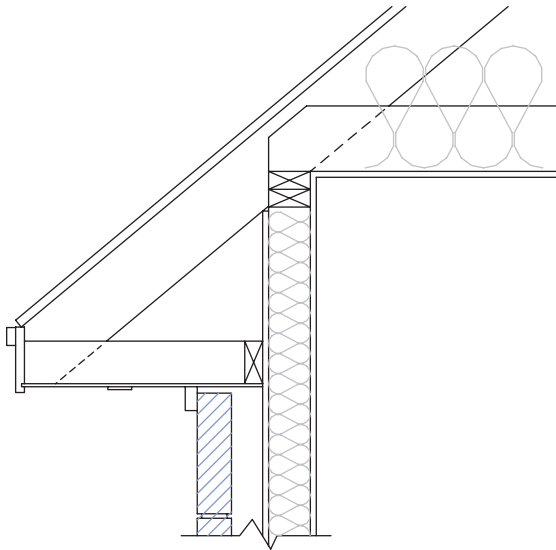


NOTE:  
 INSTALL APPROVED MEMBRANE WATER-PROOFING AT ALL SURFACES BELOW GRADE  
 EXTEND 12” MIN. ABOVE FINAL GRADE

NOTE:  
 DUE TO VARIATIONS IN SELECTED PRINTER SETTINGS, NOTED SCALES MAY NO LONGER BE APPLICABLE

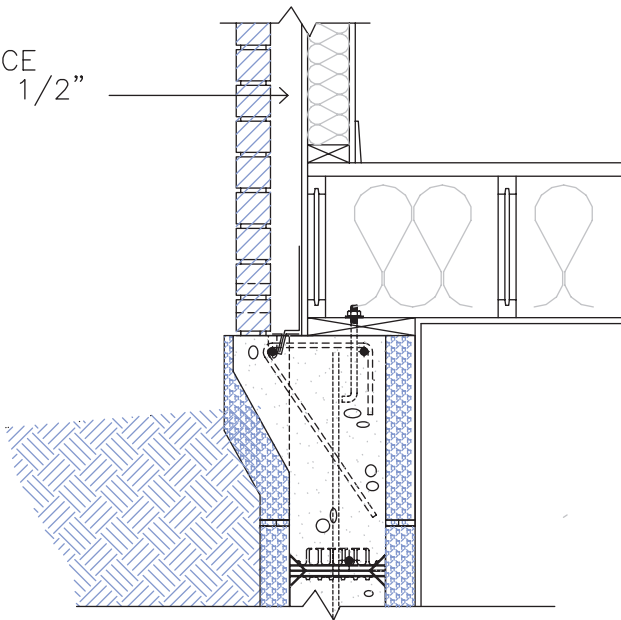
	<b>BUILDBLOCK BASEMENT FOUNDATION</b>				
	DATE/REV	12-01-04 / 1	SCALE	NTS	DETAIL SHEET
	NOTES				<b>20</b>
9705 N. BROADWAY EXTENSION, SUITE 200, OKLAHOMA CITY, OK 73114 OFFICE: 405-840-3386   TOLL FREE: 866-222-2575   FAX: 831-597-0792 BUILDBLOCK.COM		CONSTRUCTION SHALL BE IN ACCORDANCE WITH ALL APPLICABLE LOCAL AND NATIONAL CODES. ALL DRAWINGS ARE SUBJECT TO CHANGE WITHOUT NOTICE.			





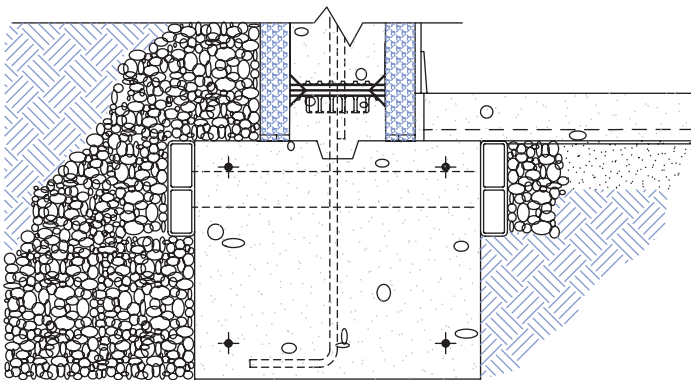
WOOD FRAME CORNICE  
 PER CONSTRUCTION DETAILS

AIR SPACE  
 1" ~ 1 1/2"



1  
 29

FRAME SOLE PLATE  
 INTERSECTION



1  
 20

BASEMENT FOUNDATION

1  
 21

TYPICAL WALL  
 SECTION  
 SCALE: 3/4" = 1'-0"

NOTE:

DUE TO VARIATIONS IN SELECTED  
 PRINTER SETTINGS, NOTED SCALES  
 MAY NO LONGER BE APPLICABLE



9705 N. BROADWAY EXTENSION, SUITE 200, OKLAHOMA CITY, OK 73114  
 OFFICE: 405-840-3386 | TOLL FREE: 866-222-2575 | FAX: 831-597-0792  
 BUILDBLOCK.COM

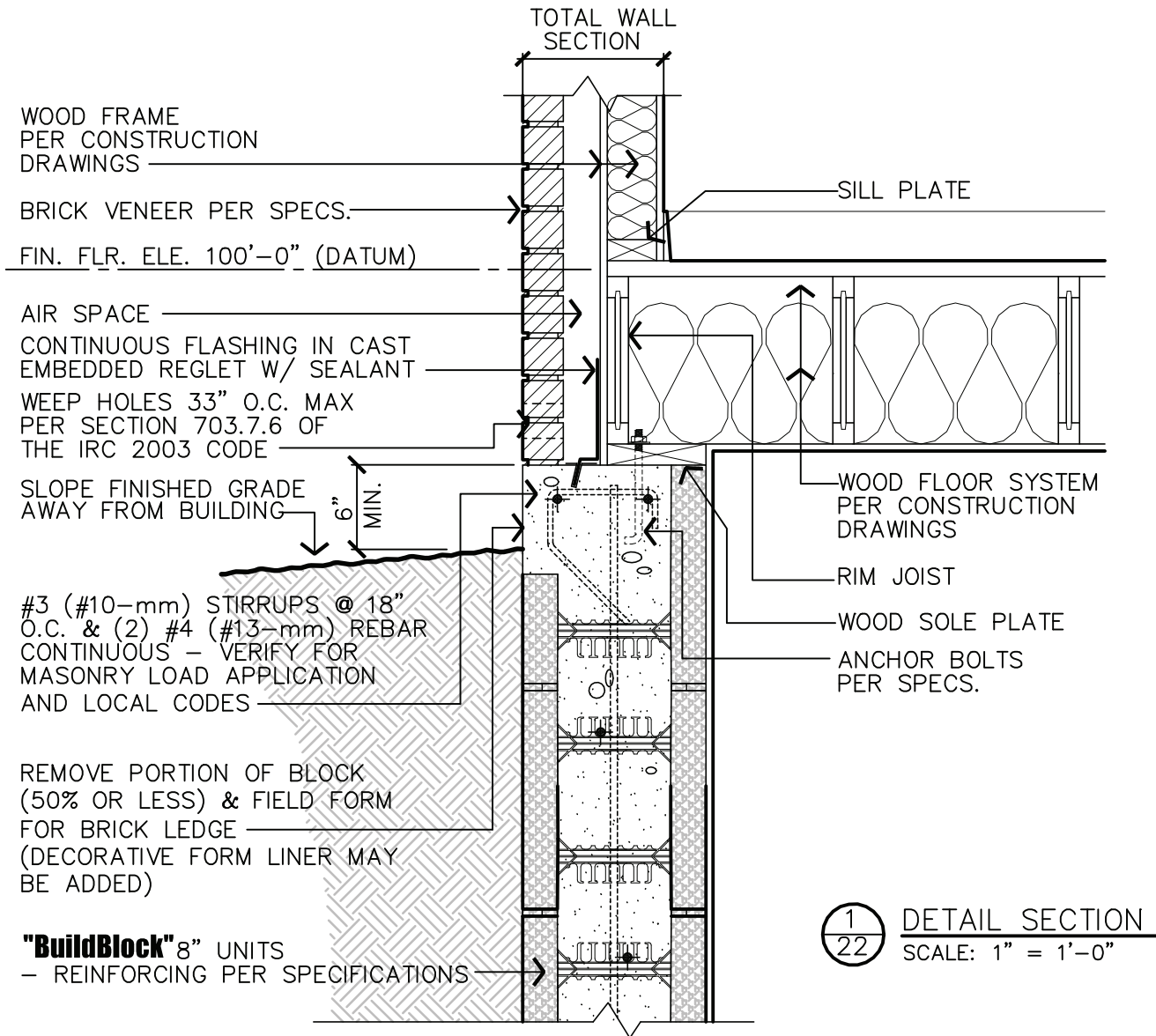
BUILDBLOCK BASEMENT & WOOD FRAME

DATE/REV	11-17-09	SCALE	NTS	DETAIL SHEET
----------	----------	-------	-----	--------------

NOTES				
-------	--	--	--	--


CONSTRUCTION SHALL BE IN ACCORDANCE WITH ALL APPLICABLE  
 LOCAL AND NATIONAL CODES. ALL DRAWINGS ARE SUBJECT TO  
 CHANGE WITHOUT NOTICE.

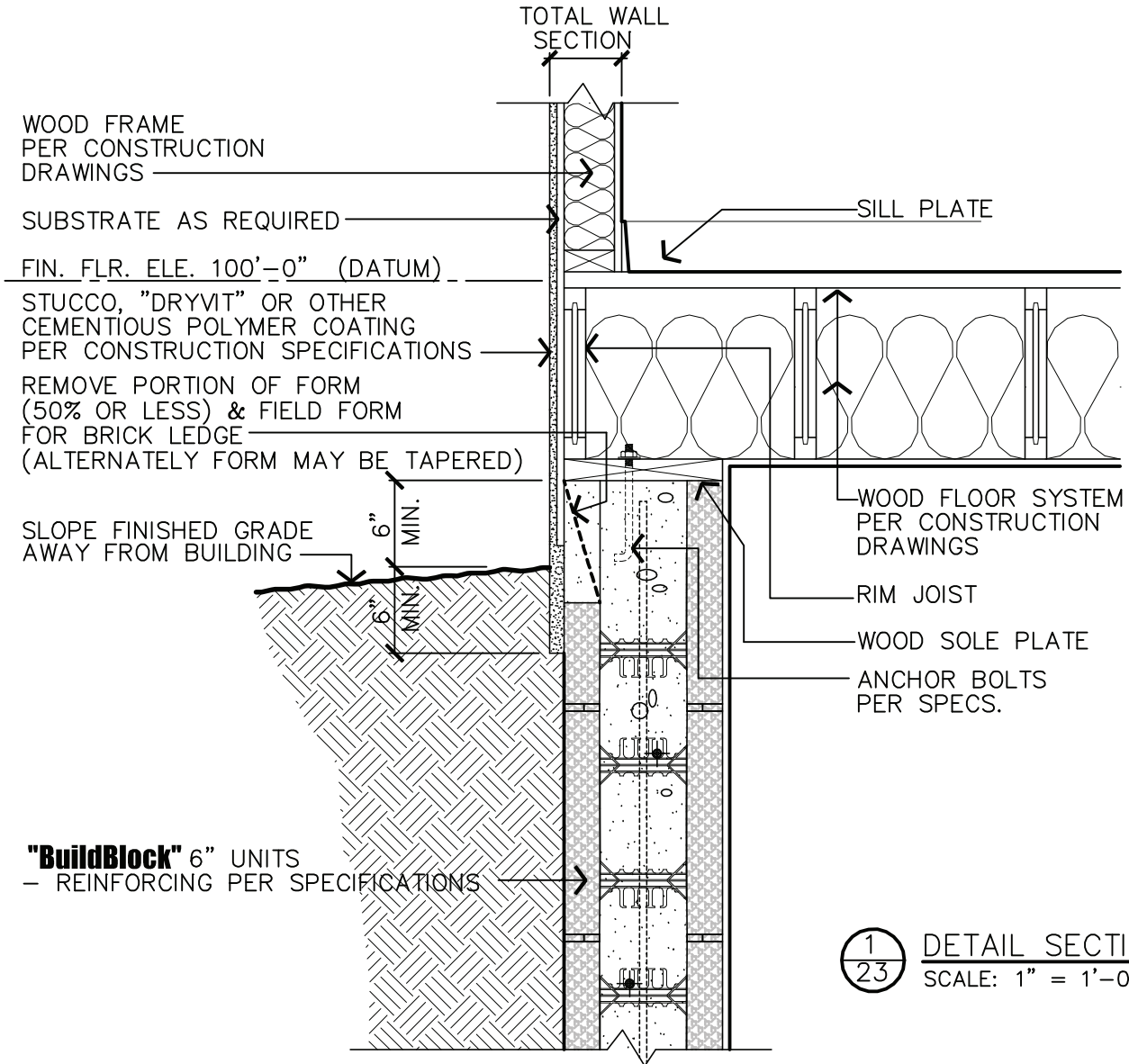
**21**



**NOTE:**  
 INSTALL APPROVED MEMBRANE WATER-PROOFING AT ALL SURFACES BELOW GRADE  
 EXTEND 12" MIN. ABOVE FINAL GRADE


**NOTE:**  
 DUE TO VARIATIONS IN SELECTED PRINTER SETTINGS, NOTED SCALES MAY NO LONGER BE APPLICABLE

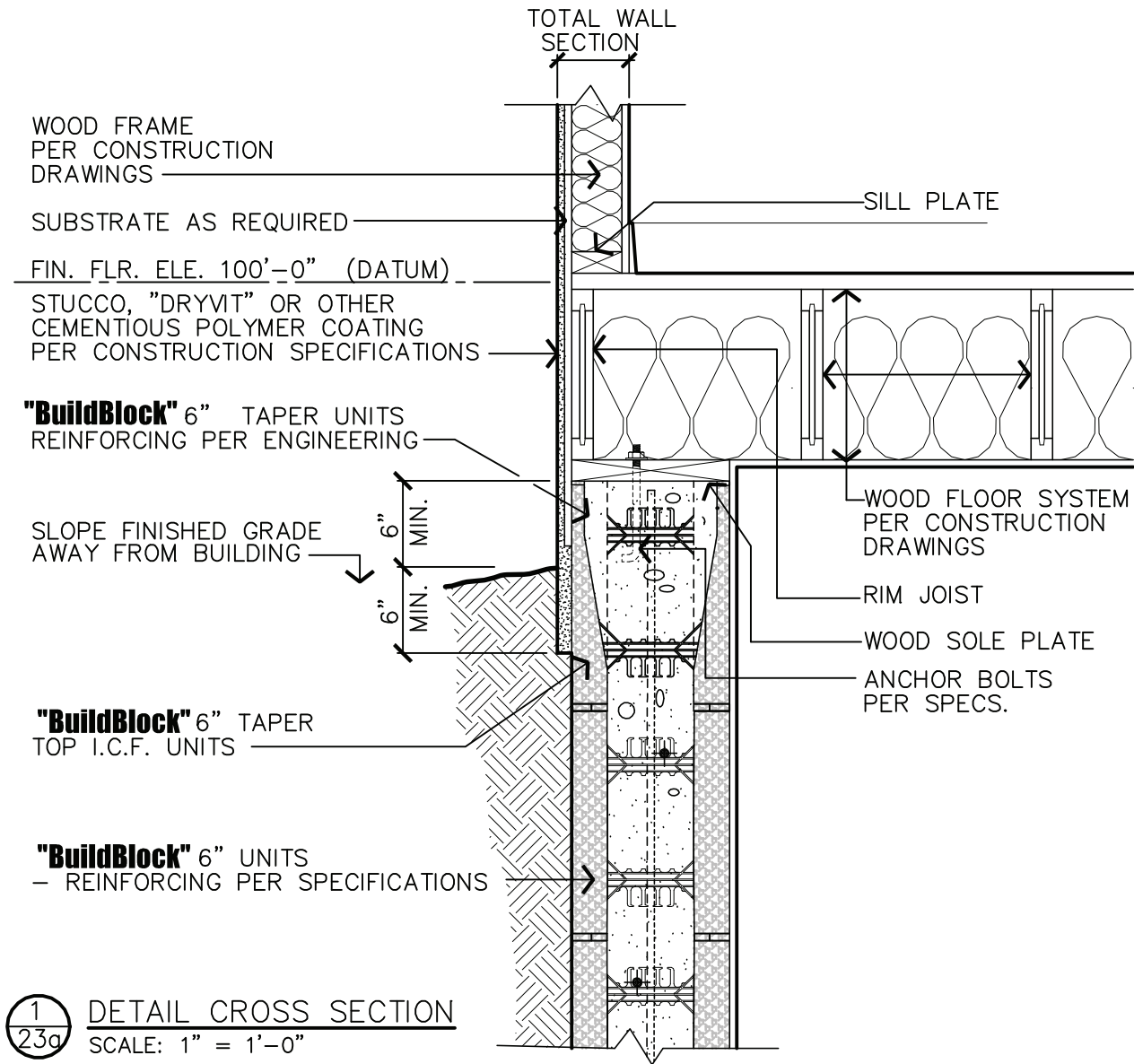
	<b>FRAME SOLE PLATE INTERSECTION</b>			DETAIL SHEET
	DATE/REV	10-04-07 / 4	SCALE	NTS
	NOTES			
9705 N. BROADWAY EXTENSION, SUITE 200, OKLAHOMA CITY, OK 73114 OFFICE: 405-840-3386   TOLL FREE: 866-222-2575   FAX: 831-597-0792 BUILDBLOCK.COM				<b>22</b>
CONSTRUCTION SHALL BE IN ACCORDANCE WITH ALL APPLICABLE LOCAL AND NATIONAL CODES. ALL DRAWINGS ARE SUBJECT TO CHANGE WITHOUT NOTICE.				



**NOTE:**  
 INSTALL APPROVED MEMBRANE WATER-PROOFING AT ALL SURFACES BELOW GRADE  
 EXTEND 12" MIN. ABOVE FINAL GRADE

**NOTE:**  
 DUE TO VARIATIONS IN SELECTED PRINTER SETTINGS, NOTED SCALES MAY NO LONGER BE APPLICABLE

 <p>9705 N. BROADWAY EXTENSION, SUITE 200, OKLAHOMA CITY, OK 73114                  OFFICE: 405-840-3386   TOLL FREE: 866-222-2575   FAX: 831-597-0792                  BUILDBLOCK.COM</p>	<b>WOOD FRAME STUCCO ON BUILDBLOCK BASEMENT</b>			DETAIL SHEET
	DATE/REV	10-04-07 /3	SCALE	NTS
	NOTES	CONSTRUCTION SHALL BE IN ACCORDANCE WITH ALL APPLICABLE LOCAL AND NATIONAL CODES. ALL DRAWINGS ARE SUBJECT TO CHANGE WITHOUT NOTICE.		
<b>23</b>				




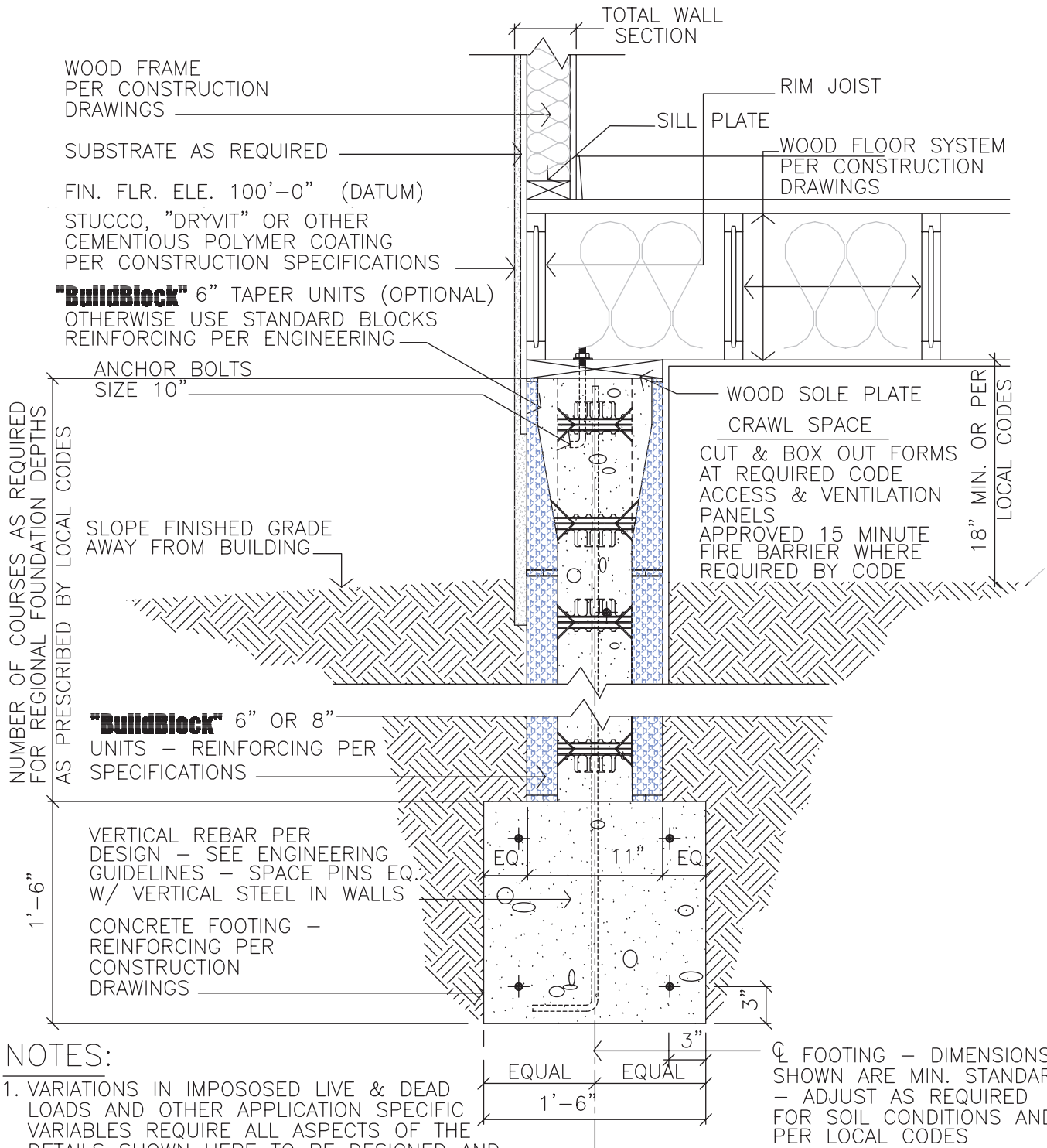
NOTES:

1. VARIATIONS IN IMPOSED LIVE & DEAD LOADS AND OTHER APPLICATION SPECIFIC VARIABLES REQUIRE ALL ASPECTS OF THE DETAILS SHOWN HERE TO BE DESIGNED AND /OR APPROVED BY A QUALIFIED ENGINEER
2. ALL CONSTRUCTION SHALL BE IN ACCORDANCE W/ THE SPECIFICATION OF AND THE RESPONSIBILITY OF A QUALIFIED STRUCTURAL ENGINEER.
3. INSTALL APPROVED MEMBRANE WATER-PROOFING AT ALL SURFACES BELOW GRADE EXTEND 12" MIN. ABOVE FINAL GRADE

NOTE:

DUE TO VARIATIONS IN SELECTED PRINTER SETTINGS, NOTED SCALES MAY NO LONGER BE APPLICABLE

	<b>WOOD FRAME STUCCO ON BUILDBLOCK BASEMENT</b>				
	DATE/REV	10-04-07 /2	SCALE	NTS	DETAIL SHEET
	NOTES				<b>23A</b>
9705 N. BROADWAY EXTENSION, SUITE 200, OKLAHOMA CITY, OK 73114 OFFICE: 405-840-3386   TOLL FREE: 866-222-2575   FAX: 831-597-0792 BUILDBLOCK.COM		CONSTRUCTION SHALL BE IN ACCORDANCE WITH ALL APPLICABLE LOCAL AND NATIONAL CODES. ALL DRAWINGS ARE SUBJECT TO CHANGE WITHOUT NOTICE.			




**NOTES:**

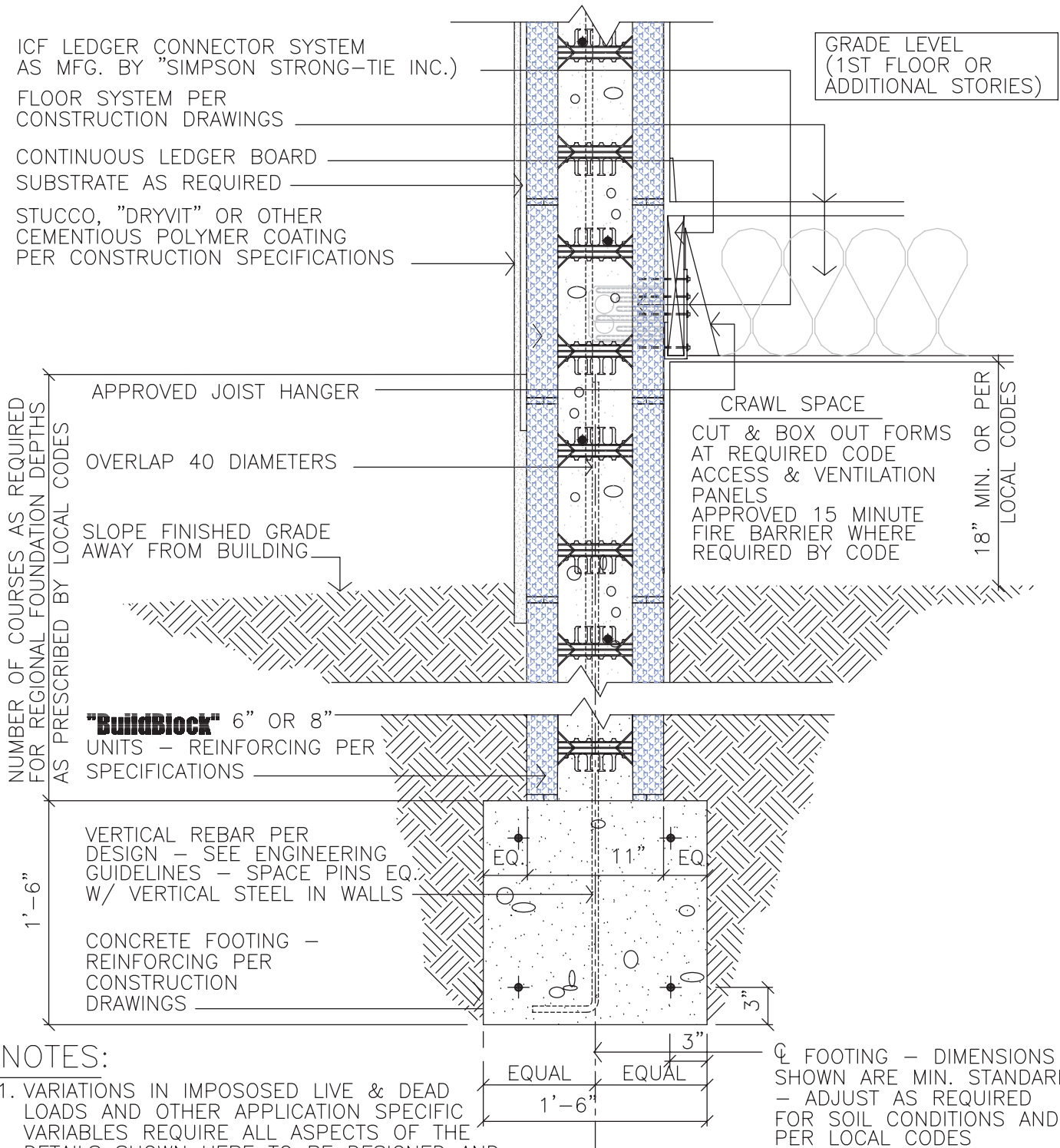
1. VARIATIONS IN IMPOSED LIVE & DEAD LOADS AND OTHER APPLICATION SPECIFIC VARIABLES REQUIRE ALL ASPECTS OF THE DETAILS SHOWN HERE TO BE DESIGNED AND /OR APPROVED BY A QUALIFIED ENGINEER
2. ALL CONSTRUCTION SHALL BE IN ACCORDANCE W/ THE SPECIFICATION OF AND THE RESPONSIBILITY OF A QUALIFIED STRUCTURAL ENGINEER.
3. INSTALL APPROVED MEMBRANE WATER-PROOFING AT ALL SURFACES BELOW GRADE EXTEND 12" MIN. ABOVE FINAL GRADE

**NOTE:**

DUE TO VARIATIONS IN SELECTED PRINTER SETTINGS, NOTED SCALES MAY NO LONGER BE APPLICABLE

1  
23b DETAIL CROSS SECTION  
 SCALE: 1" = 1'-0"

	<b>WOOD FRAME STUCCO ON BUILDBLOCK CRAWL SPACE</b>				
	DATE/REV	11-17-09	SCALE	NTS	DETAIL SHEET
	NOTES				<b>23B</b>
9705 N. BROADWAY EXTENSION, SUITE 200, OKLAHOMA CITY, OK 73114 OFFICE: 405-840-3386   TOLL FREE: 866-222-2575   FAX: 831-597-0792 BUILDBLOCK.COM		CONSTRUCTION SHALL BE IN ACCORDANCE WITH ALL APPLICABLE LOCAL AND NATIONAL CODES. ALL DRAWINGS ARE SUBJECT TO CHANGE WITHOUT NOTICE.			




**NOTES:**

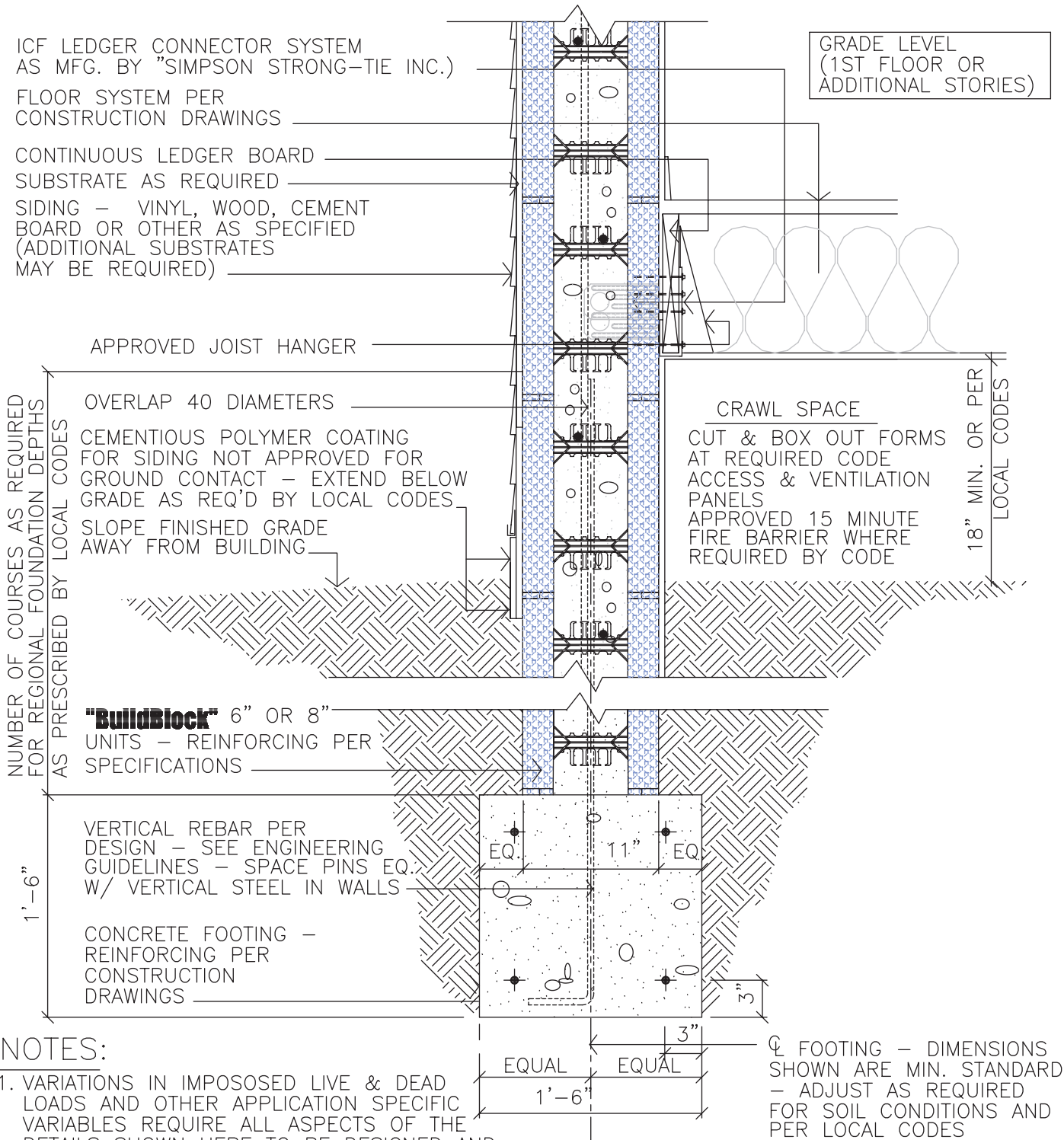
- VARIATIONS IN IMPOSED LIVE & DEAD LOADS AND OTHER APPLICATION SPECIFIC VARIABLES REQUIRE ALL ASPECTS OF THE DETAILS SHOWN HERE TO BE DESIGNED AND /OR APPROVED BY A QUALIFIED ENGINEER
- ALL CONSTRUCTION SHALL BE IN ACCORDANCE W/ THE SPECIFICATION OF AND THE RESPONSIBILITY OF A QUALIFIED STRUCTURAL ENGINEER.
- INSTALL APPROVED MEMBRANE WATER-PROOFING AT ALL SURFACES BELOW GRADE EXTEND 12" MIN. ABOVE FINAL GRADE

**NOTE:**

DUE TO VARIATIONS IN SELECTED PRINTER SETTINGS, NOTED SCALES MAY NO LONGER BE APPLICABLE

1  
23c  
 DETAIL CROSS SECTION  
 SCALE: 1" = 1'-0"

	<b>STUCCO ON BUILDBLOCK &amp; CRAWL SPACE</b>		DETAIL SHEET	
	DATE/REV	11-17-09	SCALE	NTS
NOTES			<b>23C</b>	
9705 N. BROADWAY EXTENSION, SUITE 200, OKLAHOMA CITY, OK 73114 OFFICE: 405-840-3386   TOLL FREE: 866-222-2575   FAX: 831-597-0792 BUILDBLOCK.COM		CONSTRUCTION SHALL BE IN ACCORDANCE WITH ALL APPLICABLE LOCAL AND NATIONAL CODES. ALL DRAWINGS ARE SUBJECT TO CHANGE WITHOUT NOTICE.		




**NOTES:**

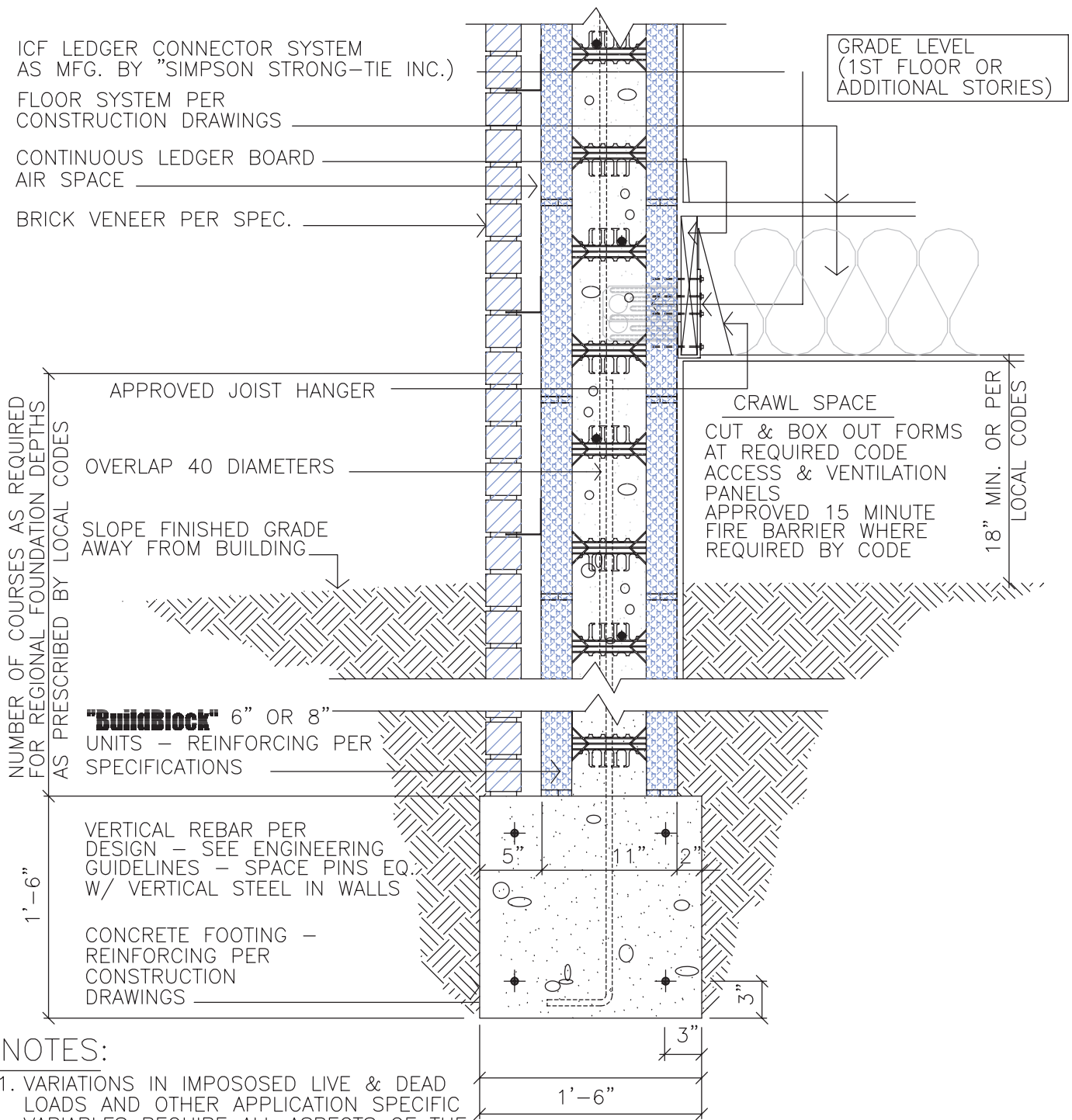
1. VARIATIONS IN IMPOSED LIVE & DEAD LOADS AND OTHER APPLICATION SPECIFIC VARIABLES REQUIRE ALL ASPECTS OF THE DETAILS SHOWN HERE TO BE DESIGNED AND /OR APPROVED BY A QUALIFIED ENGINEER
2. ALL CONSTRUCTION SHALL BE IN ACCORDANCE W/ THE SPECIFICATION OF AND THE RESPONSIBILITY OF A QUALIFIED STRUCTURAL ENGINEER.
3. INSTALL APPROVED MEMBRANE WATER-PROOFING AT ALL SURFACES BELOW GRADE EXTEND 12" MIN. ABOVE FINAL GRADE

FOOTING - DIMENSIONS SHOWN ARE MIN. STANDARD - ADJUST AS REQUIRED FOR SOIL CONDITIONS AND PER LOCAL CODES

**NOTE:**  
 DUE TO VARIATIONS IN SELECTED PRINTER SETTINGS, NOTED SCALES MAY NO LONGER BE APPLICABLE

1  
23d  
 DETAIL CROSS SECTION  
 SCALE: 1" = 1'-0"

 <p>9705 N. BROADWAY EXTENSION, SUITE 200, OKLAHOMA CITY, OK 73114                  OFFICE: 405-840-3386   TOLL FREE: 866-222-2575   FAX: 831-597-0792                  BUILDBLOCK.COM</p>	<b>SIDING ON BUILDBLOCK CRAWL SPACE</b>			
	DATE/REV	11-17-09	SCALE NTS	DETAIL SHEET
	NOTES			
CONSTRUCTION SHALL BE IN ACCORDANCE WITH ALL APPLICABLE LOCAL AND NATIONAL CODES. ALL DRAWINGS ARE SUBJECT TO CHANGE WITHOUT NOTICE.			23D	




**NOTES:**

- VARIATIONS IN IMPOSED LIVE & DEAD LOADS AND OTHER APPLICATION SPECIFIC VARIABLES REQUIRE ALL ASPECTS OF THE DETAILS SHOWN HERE TO BE DESIGNED AND /OR APPROVED BY A QUALIFIED ENGINEER
- ALL CONSTRUCTION SHALL BE IN ACCORDANCE W/ THE SPECIFICATION OF AND THE RESPONSIBILITY OF A QUALIFIED STRUCTURAL ENGINEER.
- INSTALL APPROVED MEMBRANE WATER-PROOFING AT ALL SURFACES BELOW GRADE EXTEND 12" MIN. ABOVE FINAL GRADE

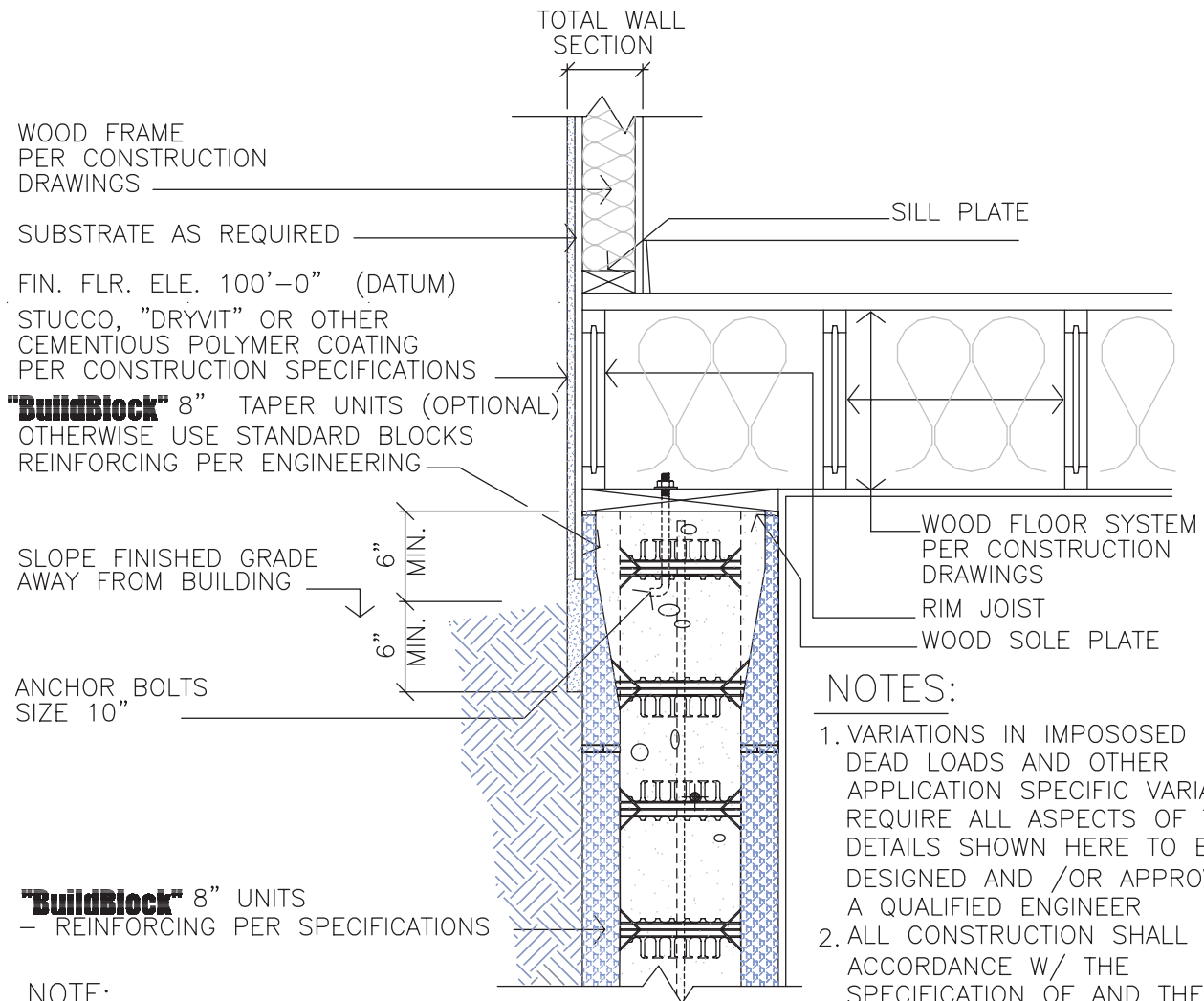
**NOTE:**

DUE TO VARIATIONS IN SELECTED PRINTER SETTINGS, NOTED SCALES MAY NO LONGER BE APPLICABLE

1  
23e  
DETAIL CROSS SECTION  
 SCALE: 1" = 1'-0"

	<b>BRICK ON BUILDBLOCK CRAWL SPACE</b>		
	DATE/REV	11-17-09	SCALE
NOTES			
9705 N. BROADWAY EXTENSION, SUITE 200, OKLAHOMA CITY, OK 73114 OFFICE: 405-840-3386   TOLL FREE: 866-222-2575   FAX: 831-597-0792 BUILDBLOCK.COM	CONSTRUCTION SHALL BE IN ACCORDANCE WITH ALL APPLICABLE LOCAL AND NATIONAL CODES. ALL DRAWINGS ARE SUBJECT TO CHANGE WITHOUT NOTICE.		<h1>23E</h1>



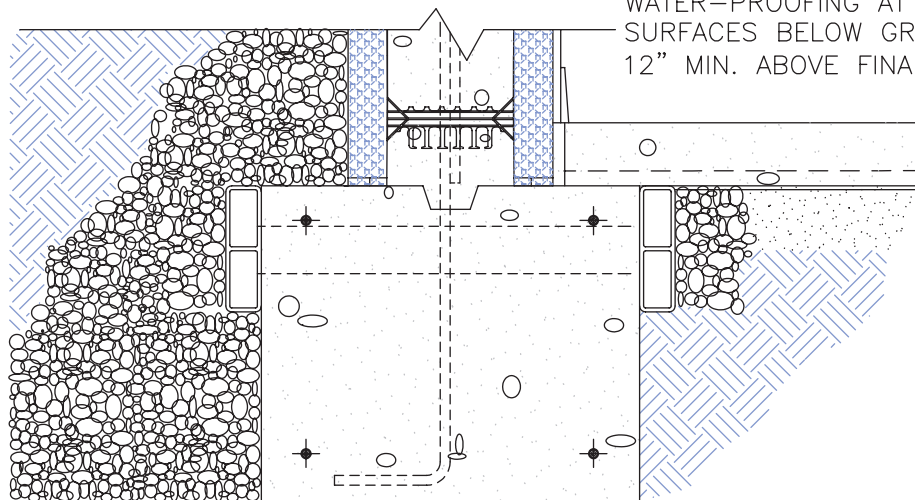


**"BuildBlock" 8" UNITS**  
 — REINFORCING PER SPECIFICATIONS

**NOTE:**  
 DUE TO VARIATIONS IN SELECTED  
 PRINTER SETTINGS, NOTED SCALES  
 MAY NO LONGER BE APPLICABLE

- NOTES:**
1. VARIATIONS IN IMPOSED LIVE & DEAD LOADS AND OTHER APPLICATION SPECIFIC VARIABLES REQUIRE ALL ASPECTS OF THE DETAILS SHOWN HERE TO BE DESIGNED AND /OR APPROVED BY A QUALIFIED ENGINEER
  2. ALL CONSTRUCTION SHALL BE IN ACCORDANCE W/ THE SPECIFICATION OF AND THE RESPONSIBILITY OF A QUALIFIED STRUCTURAL ENGINEER.
  3. INSTALL APPROVED MEMBRANE WATER-PROOFING AT ALL SURFACES BELOW GRADE EXTEND 12" MIN. ABOVE FINAL GRADE

1  
 20  
 BASEMENT  
 FOUNDATION



	<b>WOOD FRAME STUCCO ON BUILDBLOCK BASEMENT</b>				
	DATE/REV	11-17-09	SCALE	NTS	DETAIL SHEET
	NOTES	CONSTRUCTION SHALL BE IN ACCORDANCE WITH ALL APPLICABLE LOCAL AND NATIONAL CODES. ALL DRAWINGS ARE SUBJECT TO CHANGE WITHOUT NOTICE.			<b>23F</b>
9705 N. BROADWAY EXTENSION, SUITE 200, OKLAHOMA CITY, OK 73114 OFFICE: 405-840-3386   TOLL FREE: 866-222-2575   FAX: 831-597-0792 BUILDBLOCK.COM					

NOTE:  
 INSTALL APPROVED MEMBRANE WATER-  
 PROOFING AT ALL SURFACES BELOW GRADE  
 EXTEND 12" MIN. ABOVE FINAL GRADE

MASONRY VENEER (VERIFY CODE APPROVED  
 GRADE CLEARANCE FOR PROJECT LOCATION)

AIR SPACE  
 CONTINUOUS FLASHING

WEEP HOLES 33" O.C. MAX PER  
 SECTION 703.7.6 OF THE IRC 2003 CODE

ELE. 100'-0" FIN. FLR. (DATUM)

SLOPE FINISHED GRADE  
 AWAY FROM BUILDING

#3 (#10-MM) STIRRUPS @ 18"  
 O.C. & (2) #5 (#16-MM) REBAR  
 CONTINUOUS - VERIFY FOR MASONRY  
 LOAD APPLICATION AND LOCAL CODES

REMOVE PORTION OF BLOCK  
 (50% OR LESS) & FIELD FORM  
 FOR BRICK LEDGE

(ALTERNATELY, FORM MAY BE TAPERED)

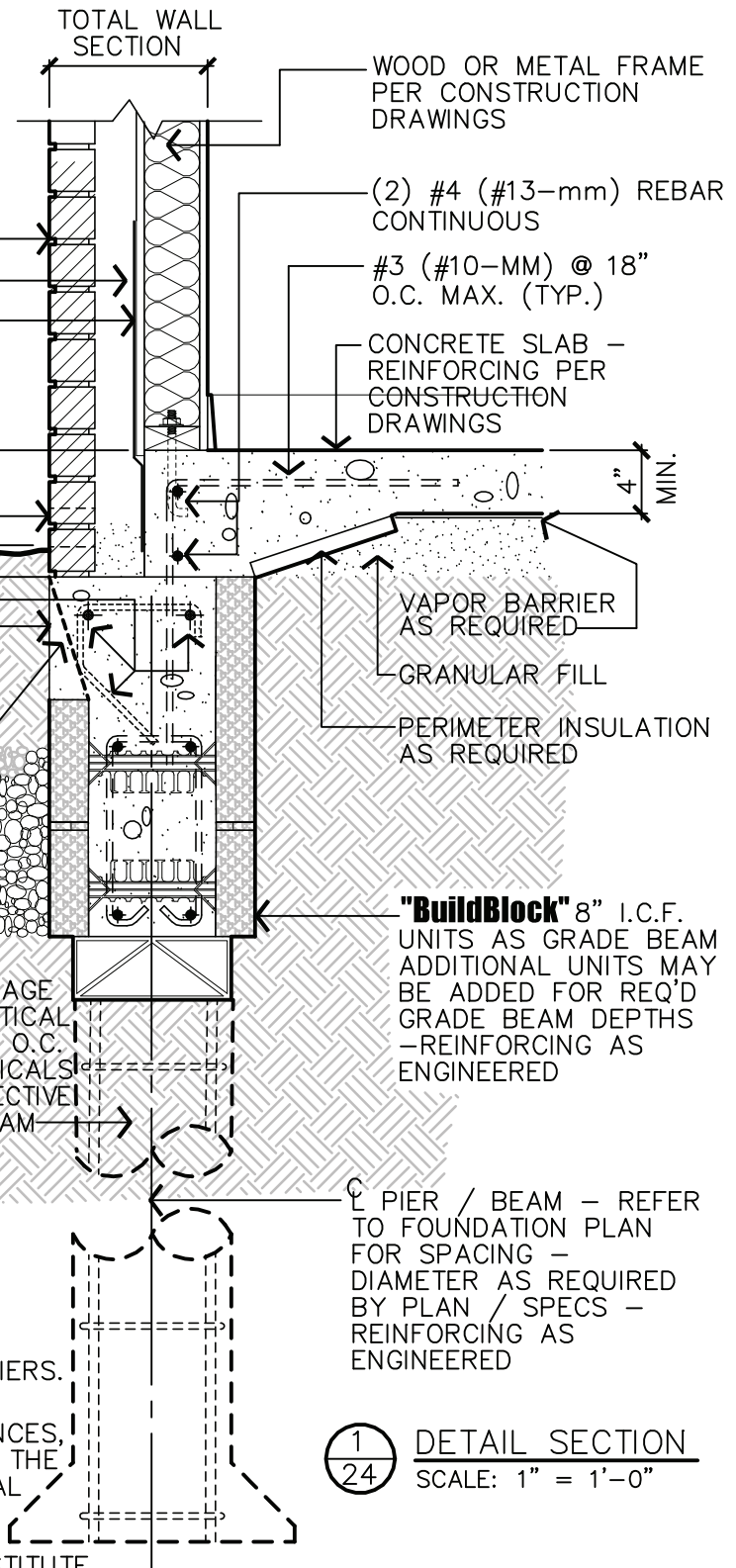
FOUNDATION DRAINAGE  
 SYSTEMS ONLY AS REQUIRED  
 BY SOIL CONDITIONS

DRILLED PIER TO REFUSAL & TO PENETRATE  
 2'-0" MIN. INTO SHALE - REINF. W/ STEEL CAGE  
 CONSISTING OF (4) #5 (#16-mm) REBAR VERTICAL  
 & #3 (#10-mm) REBAR HORIZONTAL @ 1'-0" O.C.  
 FULL LENGTH OF PIER SHAFT - EXTEND VERTICALS  
 ABOVE PIER A MIN. OF 2/3 THE HEIGHT OF RESPECTIVE  
 GRADE BEAMS, TO BE CAST INSIDE GRADE BEAM

DRIVEN PILES OR OTHER ENGINEERED  
 PIER SYSTEM MAY BE USED IN LIEU OF  
 DRILLED CONCRETE PIER SYSTEMS -  
 (PER CONSTRUCTION DRAWING REQUIREMENTS)


**GENERAL DETAIL NOTES:**

1. PROVIDE 4" STANDARD CARDBOARD CARTON FORMS UNDER ALL GRADE BEAMS BETWEEN PIERS.
2. ALL CONCRETE 3000 P.S.I. AT 28 DAYS.
3. REINFORCING GRADES, LAP SPACING, CLEARANCES, MIN. CONCRETE COVER AND ALL ASPECTS OF THE WORK DETAILED HERE SHALL FOLLOW NATIONAL STANDARDS AND PRACTICES FOR CONCRETE STEEL REINFORCING AS PRESCRIBED BY ASTM, THE CONCRETE STEEL REINFORCING INSTITUTE, AND / OR OTHER LOCAL CODE USE GUIDELINES.



1  
24 DETAIL SECTION  
 SCALE: 1" = 1'-0"

NOTE:  
 DUE TO VARIATIONS IN SELECTED  
 PRINTER SETTINGS, NOTED SCALES  
 MAY NO LONGER BE APPLICABLE

	<b>BUILDBLOCK ON PIERS 1</b>		DATE/REV 11-28-06 / 3		SCALE NTS	DETAIL SHEET
	NOTES					
9705 N. BROADWAY EXTENSION, SUITE 200, OKLAHOMA CITY, OK 73114 OFFICE: 405-840-3386   TOLL FREE: 866-222-2575   FAX: 831-597-0792 BUILDBLOCK.COM		CONSTRUCTION SHALL BE IN ACCORDANCE WITH ALL APPLICABLE LOCAL AND NATIONAL CODES. ALL DRAWINGS ARE SUBJECT TO CHANGE WITHOUT NOTICE.		24		

**NOTE:**

INSTALL APPROVED MEMBRANE WATER-PROOFING AT ALL SURFACES BELOW GRADE  
EXTEND 12" MIN. ABOVE FINAL GRADE

MASONRY VENEER (VERIFY CODE APPROVED GRADE CLEARANCE FOR PROJECT LOCATION)

AIR SPACE

GROUT FILL BELOW GRADE

WEEP HOLES 33" O.C. MAX. PER SECTION 703.7.6 OF THE IRC 2003 CODE

ELE. 100'-0" FIN. FLR. (DATUM)

SLOPE FINISHED GRADE AWAY FROM BUILDING

#3 (#10-mm) STIRRUPS @ 18" O.C. & (2) #5 (#16-mm) REBAR CONTINUOUS - VERIFY FOR MASONRY LOAD APPLICATION AND LOCAL CODES

REMOVE PORTION OF BLOCK (50% OR LESS) & FIELD FORM

FOR BRICK LEDGE (ALTERNATELY FORM MAY BE TAPERED)

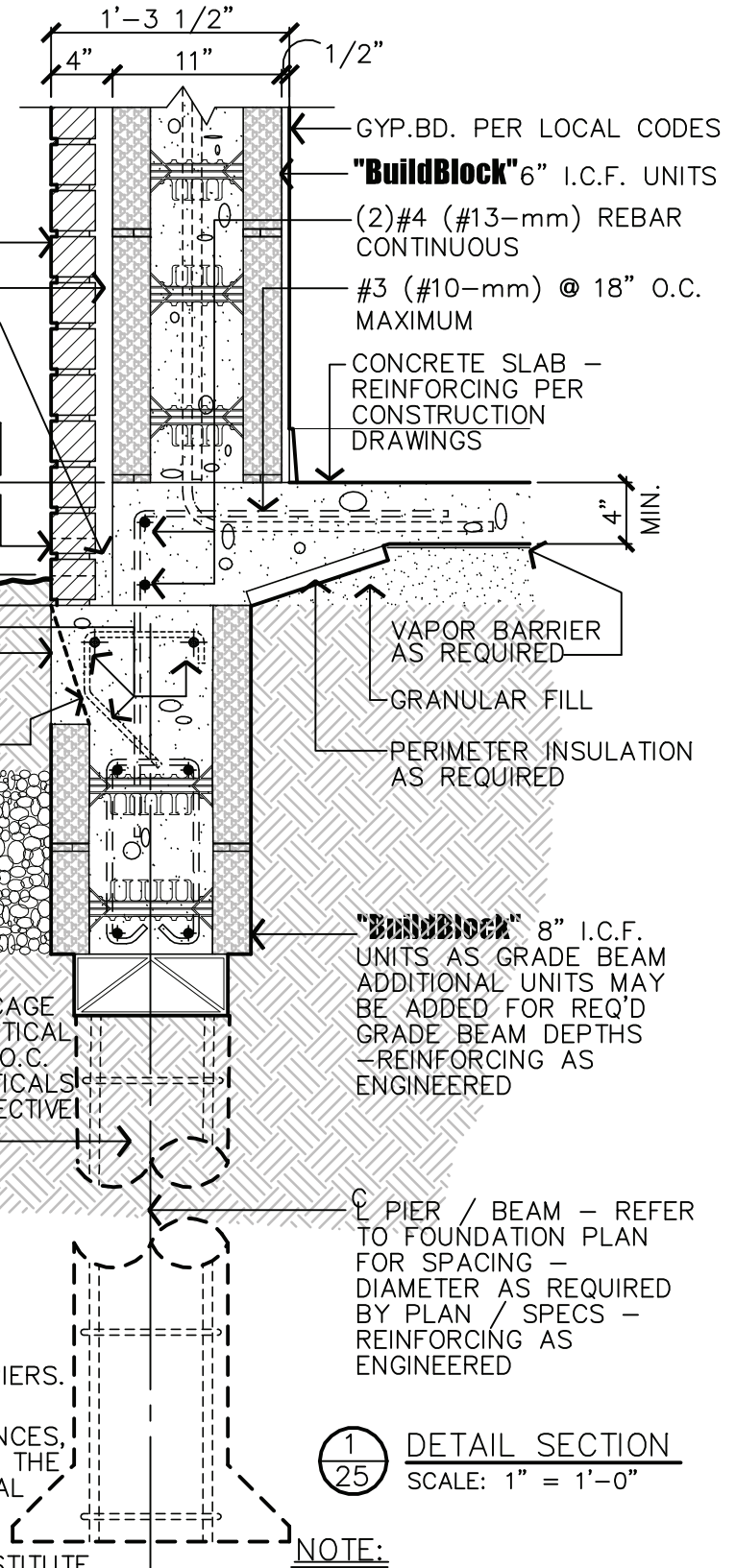
FOUNDATION DRAINAGE SYSTEMS ONLY AS REQUIRED BY SOIL CONDITIONS

DRILLED PIER TO REFUSAL & TO PENETRATE 2'-0" MIN. INTO SHALE - REINF. W/ STEEL CAGE CONSISTING OF (4) #5 (#16-mm) REBAR VERTICAL & #3 (#10-mm) REBAR HORIZONTAL @ 1'-0" O.C. FULL LENGTH OF PIER SHAFT - EXTEND VERTICALS ABOVE PIER A MIN. OF 2/3 THE HEIGHT OF RESPECTIVE GRADE BEAMS, TO BE CAST INSIDE GRADE BEAM

DRIVEN PILES OR OTHER ENGINEERED PIER SYSTEM MAY BE USED IN LIEU OF DRILLED CONCRETE PIER SYSTEMS - (PER CONSTRUCTION DRAWING REQUIREMENTS)


**GENERAL DETAIL NOTES:**

1. PROVIDE 4" STANDARD CARDBOARD CARTON FORMS UNDER ALL GRADE BEAMS BETWEEN PIERS.
2. ALL CONCRETE 3000 P.S.I. AT 28 DAYS.
3. REINFORCING GRADES, LAP SPACING, CLEARANCES, MIN. CONCRETE COVER AND ALL ASPECTS OF THE WORK DETAILED HERE SHALL FOLLOW NATIONAL STANDARDS AND PRACTICES FOR CONCRETE STEEL REINFORCING AS PRESCRIBED BY ASTM, THE CONCRETE STEEL REINFORCING INSTITUTE, AND / OR OTHER LOCAL CODE USE GUIDELINES.



1  
25 **DETAIL SECTION**  
 SCALE: 1" = 1'-0"

**NOTE:**  
 DUE TO VARIATIONS IN SELECTED PRINTER SETTINGS, NOTED SCALES MAY NO LONGER BE APPLICABLE

 <p>9705 N. BROADWAY EXTENSION, SUITE 200, OKLAHOMA CITY, OK 73114                  OFFICE: 405-840-3386   TOLL FREE: 866-222-2575   FAX: 831-597-0792                  BUILDBLOCK.COM</p>	<b>BUILDBLOCK ON PIERS 2</b>		DATE/REV 11-28-06 / 3		SCALE NTS	DETAIL SHEET
	NOTES					
	CONSTRUCTION SHALL BE IN ACCORDANCE WITH ALL APPLICABLE LOCAL AND NATIONAL CODES. ALL DRAWINGS ARE SUBJECT TO CHANGE WITHOUT NOTICE.				<b>25</b>	

**GENERAL DETAIL NOTES:**

1. PROVIDE 4" STANDARD CARDBOARD CARTON FORMS UNDER ALL GRADE BEAMS BETWEEN PIERS.
2. ALL CONCRETE 3000 P.S.I. AT 28 DAYS.
3. REINFORCING GRADES, LAP SPACING, CLEARANCES, MIN. CONCRETE COVER AND ALL ASPECTS OF THE WORK DETAILED HERE SHALL FOLLOW NATIONAL STANDARDS AND PRACTICES FOR CONCRETE STEEL REINFORCING AS PRESCRIBED BY ASTM, THE CONCRETE STEEL REINFORCING INSTITUTE, AND / OR OTHER LOCAL CODE USE GUIDELINES.

MASONRY VENEER (VERIFY CODE APPROVED GRADE CLEARANCE FOR PROJECT LOCATION)

AIR SPACE

1ST FIN. FLOOR ELEV. 100'-0" (DATUM)

SLOPE FINISHED GRADE AWAY FROM BUILDING

WEEP HOLES 33" O.C. MAX PER SECTION 703.7.6 OF THE IRC 2003 CODE  
 GROUT FILL BELOW GRADE

"BuildBlock" 6" I.C.F. UNITS

LEDGEBLOCK STIRRUPS #3 (#10-mm)  
 REBAR @ 18" O.C. & (2) #4 (#13-mm)  
 CONTINUOUS HORIZONTAL

GRADE BEAM STIRRUPS #3 (#10-mm)  
 REBAR @ 18" O.C. & (4) #4 (#13-mm)  
 CONTINUOUS HORIZONTAL

VERIFY ALL REINFORCING FOR MASONRY LOAD APPLICATION AND LOCAL CODES - MODIFY AS REQUIRED

DRILLED PIER TO REFUSAL & TO PENETRATE 2'-0" MIN. INTO SHALE - REINF. W/ STEEL CAGE CONSISTING OF (4) #5 (#16-mm) REBAR VERTICAL AND #3 (#10-mm) REBAR HORIZONTAL @ 1'-0" O.C. FULL LENGTH OF PIER SHAFT - EXTEND VERTICALS ABOVE PIER A MINIMUM OF 2/3 THE HEIGHT OF RESPECTIVE GRADE BEAMS, TO BE CAST INSIDE GRADE BEAM

PIER / BEAM - REFER TO FOUNDATION PLAN FOR SPACING REQUIREMENTS

**NOTE:**

INSTALL APPROVED MEMBRANE WATER-PROOFING AT ALL SURFACES BELOW GRADE  
 EXTEND 12" MIN. ABOVE FINAL GRADE

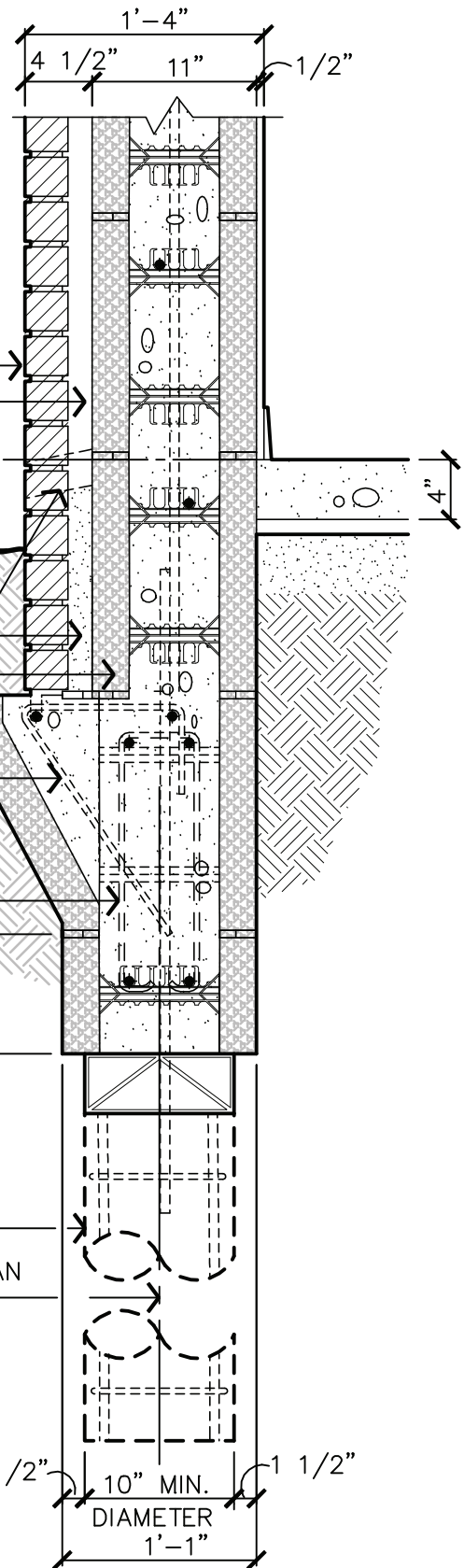
**NOTE:**


DUE TO VARIATIONS IN SELECTED PRINTER SETTINGS, NOTED SCALES MAY NO LONGER BE APPLICABLE

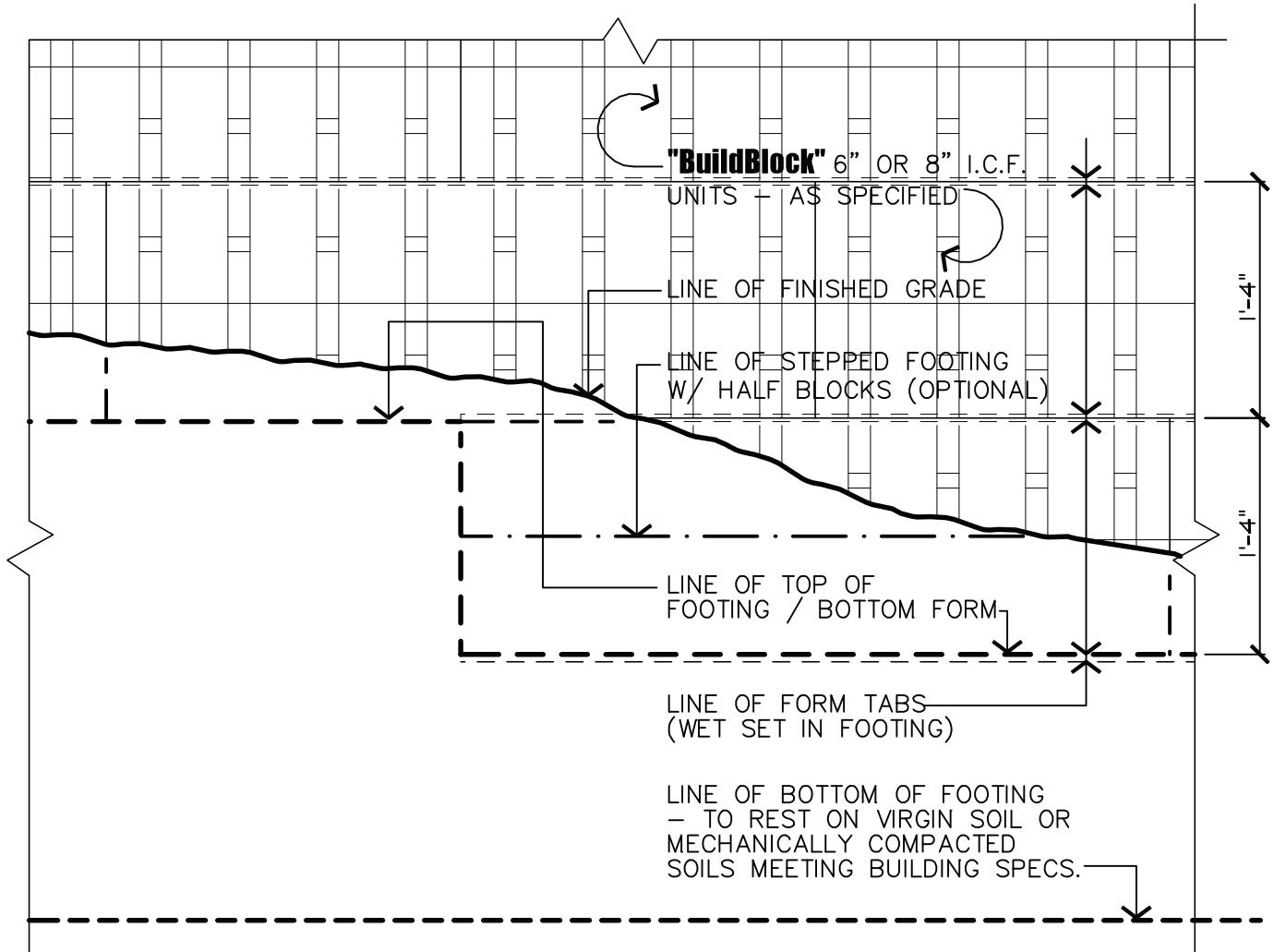
1  
26

**DETAIL SECTION**

SCALE: 1" = 1'-0"



	<b>BUILDBLOCK ON PIERS 3</b>		DATE/REV 11-28-06 /2		SCALE NTS	DETAIL SHEET
	NOTES					<h1>26</h1>
9705 N. BROADWAY EXTENSION, SUITE 200, OKLAHOMA CITY, OK 73114 OFFICE: 405-840-3386   TOLL FREE: 866-222-2575   FAX: 831-597-0792 BUILDBLOCK.COM		CONSTRUCTION SHALL BE IN ACCORDANCE WITH ALL APPLICABLE LOCAL AND NATIONAL CODES. ALL DRAWINGS ARE SUBJECT TO CHANGE WITHOUT NOTICE.				




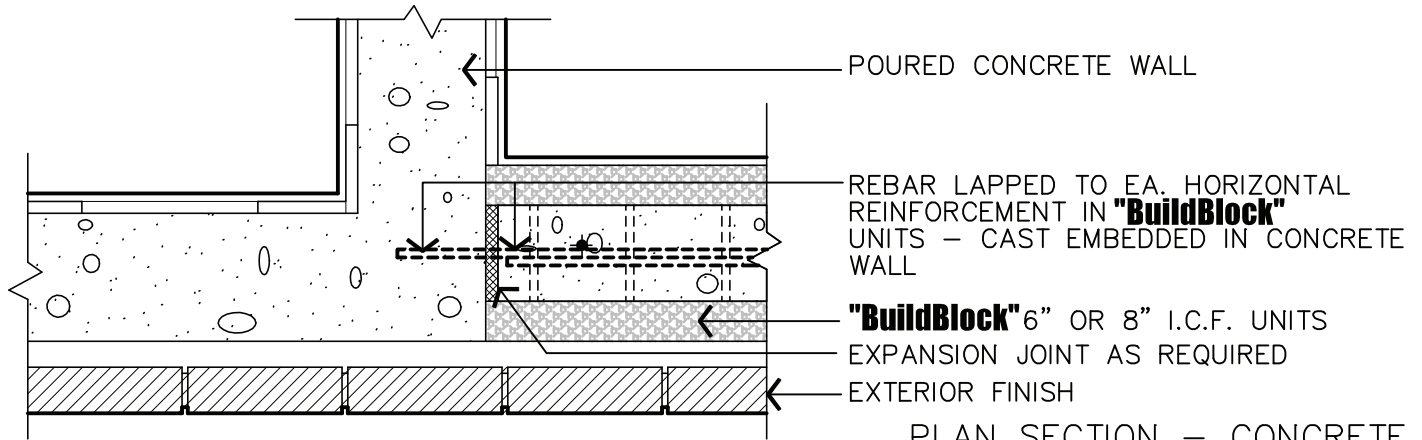
**GENERAL DETAIL NOTES:**

1. FOOTING STEPS ARE RECOMMENDED TO BE IN INCREMENTS OF 6" HORIZONTALLY AND 8" (HALF BLOCKS) OR 16" VERTICALLY TO MATCH "BUILD BLOCK" VERTICAL COURSING.
2. BOTTOM OF FOOTING SLOPE PERCENTAGE SHALL CONFORM TO ALL PRESCRIBED LOCAL BUILDING CODES AND STANDARDS
3. ALL FOOTING REINFORCING PER CONSTRUCTION DRAWINGS AND SPECIFICATIONS - VERTICAL TIE BARS REQUIRED

1 / 27 DETAIL ELEVATION  
 SCALE: 1" = 1'-0"

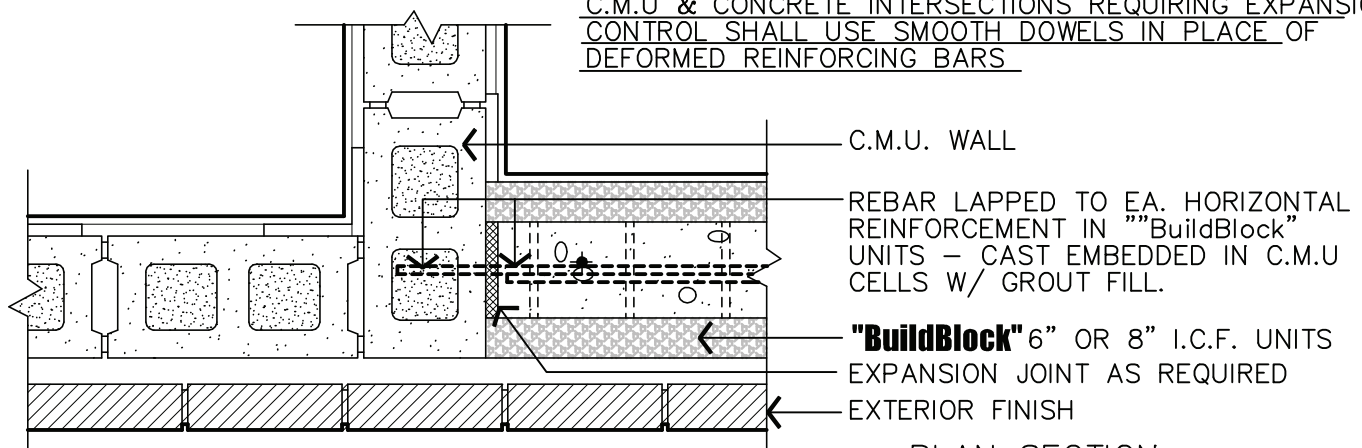
NOTE:  
 DUE TO VARIATIONS IN SELECTED PRINTER SETTINGS, NOTED SCALES MAY NO LONGER BE APPLICABLE

	<b>DETAIL OF STEPPED FOOTINGS</b>			DETAIL SHEET
	DATE/REV	12-01-04 /1	SCALE	NTS
NOTES				<b>27</b>
9705 N. BROADWAY EXTENSION, SUITE 200, OKLAHOMA CITY, OK 73114 OFFICE: 405-840-3386   TOLL FREE: 866-222-2575   FAX: 831-597-0792 BUILDBLOCK.COM				CONSTRUCTION SHALL BE IN ACCORDANCE WITH ALL APPLICABLE LOCAL AND NATIONAL CODES. ALL DRAWINGS ARE SUBJECT TO CHANGE WITHOUT NOTICE.

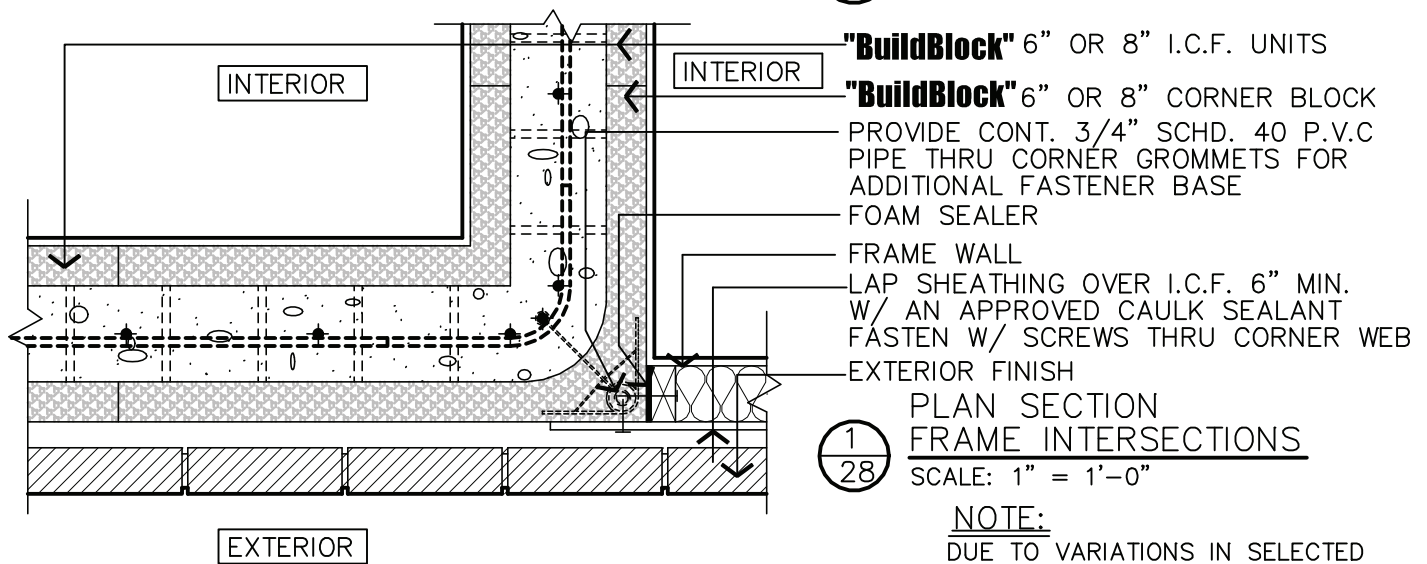


3  
28 PLAN SECTION - CONCRETE WALL INTERSECTIONS  
 SCALE: 1" = 1'-0"

C.M.U. & CONCRETE INTERSECTIONS REQUIRING EXPANSION CONTROL SHALL USE SMOOTH DOWELS IN PLACE OF DEFORMED REINFORCING BARS




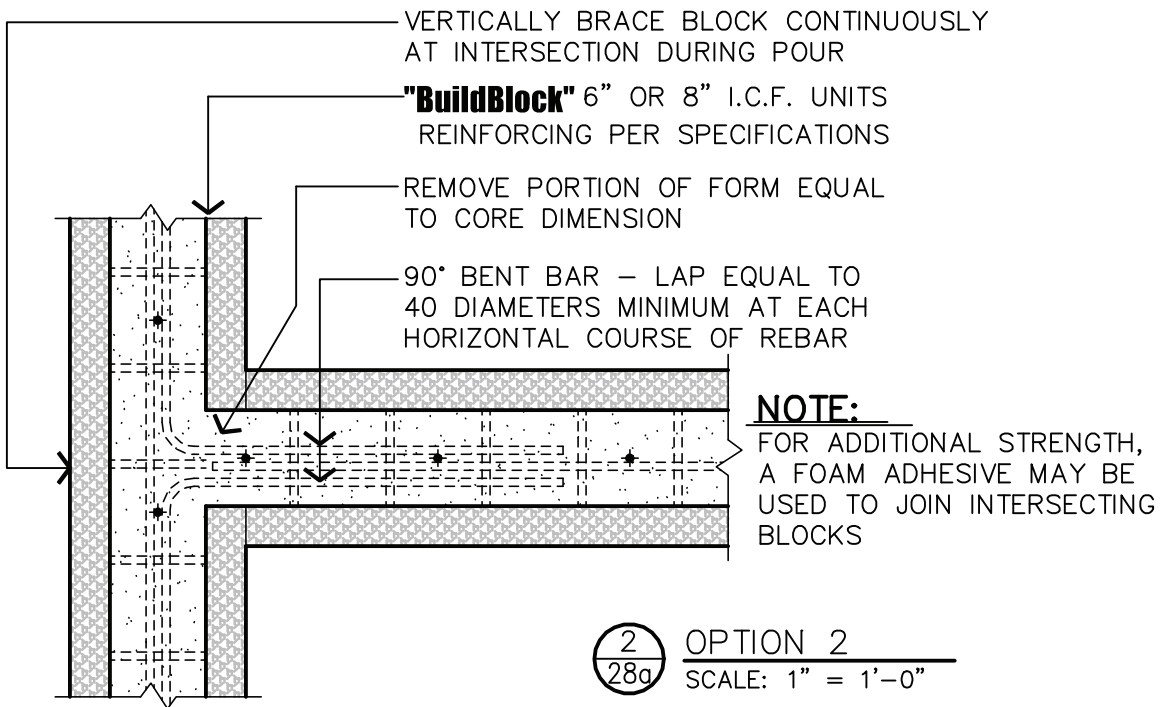
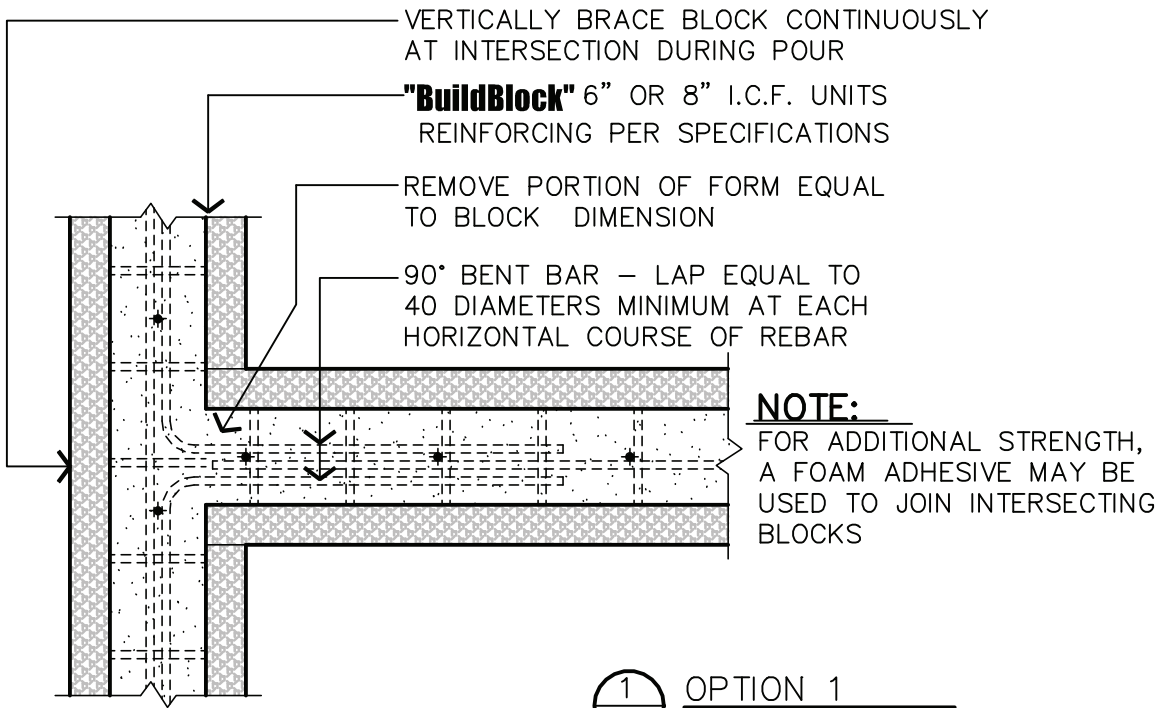
2  
28 PLAN SECTION C.M.U. INTERSECTIONS  
 SCALE: 1" = 1'-0"




1  
28 PLAN SECTION FRAME INTERSECTIONS  
 SCALE: 1" = 1'-0"

NOTE:  
 DUE TO VARIATIONS IN SELECTED PRINTER SETTINGS, NOTED SCALES MAY NO LONGER BE APPLICABLE

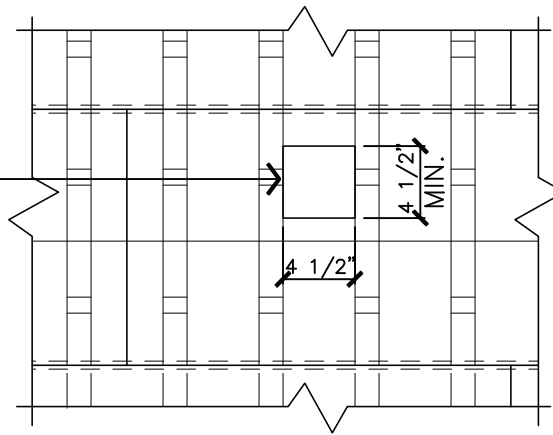
 <p>9705 N. BROADWAY EXTENSION, SUITE 200, OKLAHOMA CITY, OK 73114                  OFFICE: 405-840-3386   TOLL FREE: 866-222-2575   FAX: 831-597-0792                  BUILDBLOCK.COM</p>	<b>HORIZONTAL INTERSECTION</b>		DETAIL SHEET	
	DATE/REV	12-01-04 / 1	SCALE	NTS
	NOTES	CONSTRUCTION SHALL BE IN ACCORDANCE WITH ALL APPLICABLE LOCAL AND NATIONAL CODES. ALL DRAWINGS ARE SUBJECT TO CHANGE WITHOUT NOTICE.		



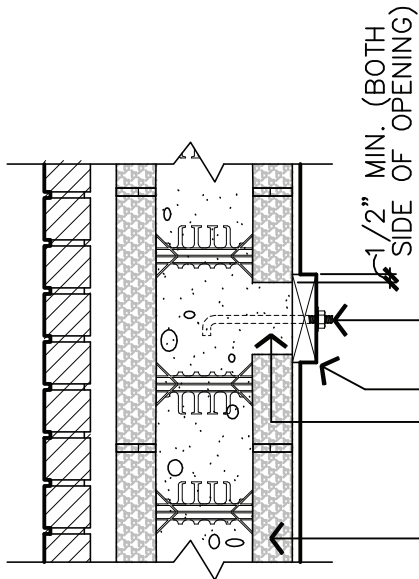
**NOTE:**  
 DUE TO VARIATIONS IN SELECTED PRINTER SETTINGS, NOTED SCALES MAY NO LONGER BE APPLICABLE

 <p>9705 N. BROADWAY EXTENSION, SUITE 200, OKLAHOMA CITY, OK 73114                  OFFICE: 405-840-3386   TOLL FREE: 866-222-2575   FAX: 831-597-0792                  BUILDBLOCK.COM</p>	<b>"T" INTERSECTIONS</b>			DETAIL SHEET
	DATE/REV	08-05-05 /1	SCALE	NTS
	NOTES			
CONSTRUCTION SHALL BE IN ACCORDANCE WITH ALL APPLICABLE LOCAL AND NATIONAL CODES. ALL DRAWINGS ARE SUBJECT TO CHANGE WITHOUT NOTICE.				<b>28A</b>

TYPICAL CUT-OUTS SHALL BE PLACED BETWEEN WEBBING TO RETAIN THE INTEGRITY OF THE FORM  
 ALL OPENINGS SHALL BE 1/2" LESS THAN THE VERTICAL HGT. OF THE APPLIED LEDGE MEMBER  
 -CENTER LEDGE ON OPENING



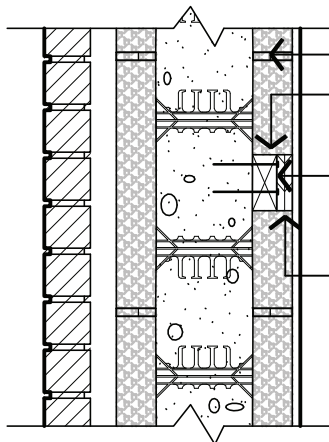
**3**  
 29  
 ELEVATION  
 TYPICAL CUT-OUT  
 SCALE: 1" = 1'-0"



**NOTE:**  
 ATTACH CONTINUOUS WOOD CLEAT TO WEBBING W/ ADEQUATE SCREWS TO PROVIDE A DAM DURING CONCRETE POUR

- CAST EMBEDDED ANCHOR BOLTS - TYPE & FREQUENCY AS REQUIRED BY APPLICATION LOAD
- 2x6 MIN. DIMENSIONAL LUMBER (CONTINUOUS)
- CUT AND REMOVE REQUIRED PORTION OF FORM TO EXTEND CONCRETE CORE TO WOOD CLEAT (CONTINUOUS CONTACT) - DO NOT CUT OPENING THROUGH WEBBING
- "BuildBlock" 6" OR 8" I.C.F. UNITS


**2**  
 29  
 VERTICAL SECTION  
 MODERATE & HEAVY LOADS  
 SCALE: 1" = 1'-0"



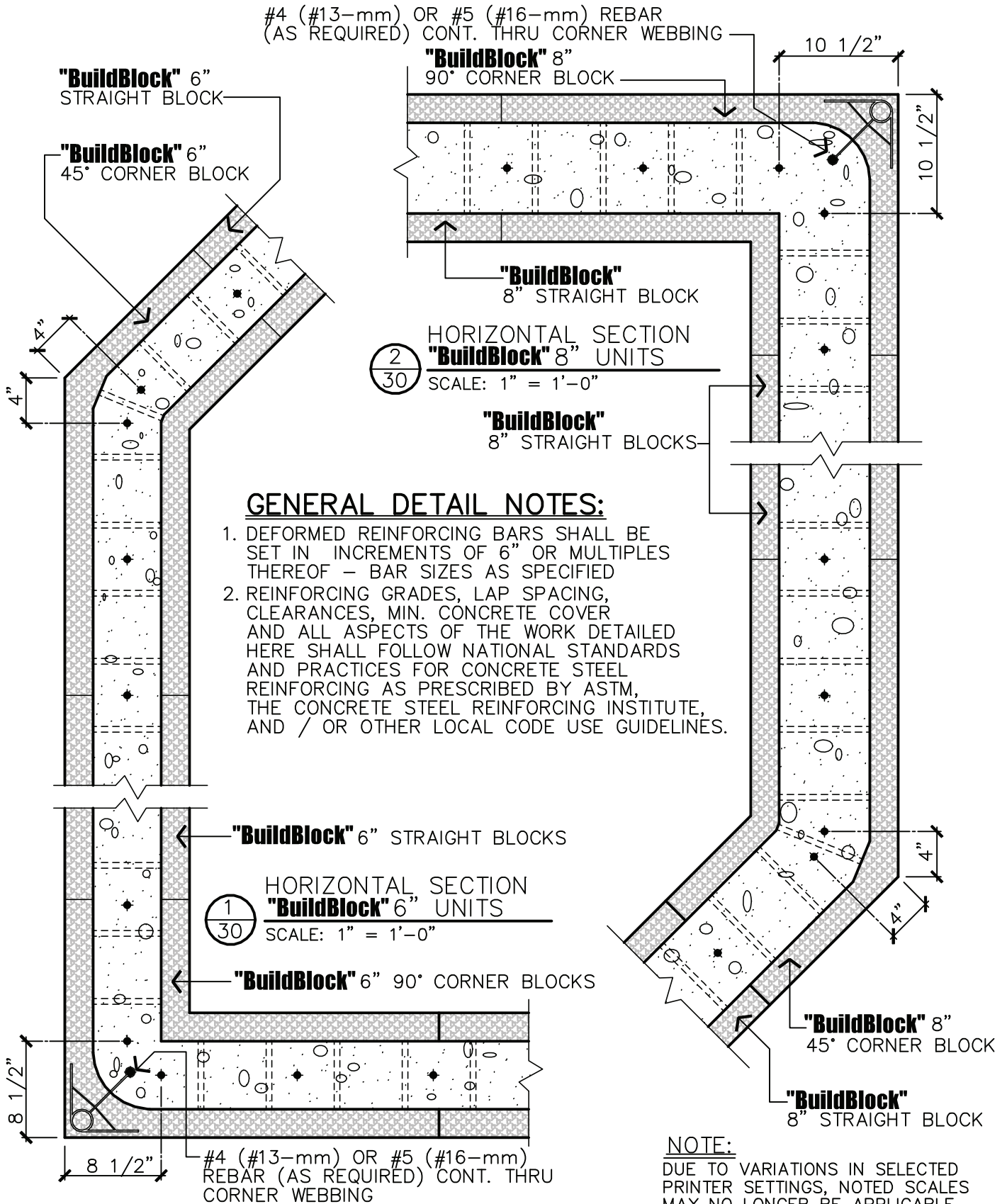
- "BuildBlock" 6" OR 8" I.C.F. UNITS
- CUT AND REMOVE REQUIRED PORTION OF FORM TO RECEIVE WOOD NAILER POST CONCRETE POUR
- 2x\_ DIMENSIONAL LUMBER ATTACHED W/ POWDER ACTUATED FASTENERS
- PLYWOOD OR OTHER WOOD FILLER FLUSH TO FORM FACE - FASTEN TO 2x\_ NAILER


**1**  
 29  
 VERTICAL SECTION  
 LIGHT & MODERATE LOADS  
 SCALE: 1" = 1'-0"

**NOTE:**  
 DUE TO VARIATIONS IN SELECTED PRINTER SETTINGS, NOTED SCALES MAY NO LONGER BE APPLICABLE

	<b>LOAD HANGING DETAILS</b>			DETAIL SHEET
	DATE/REV	12-01-04 / 1	SCALE	NTS
	NOTES			
9705 N. BROADWAY EXTENSION, SUITE 200, OKLAHOMA CITY, OK 73114 OFFICE: 405-840-3386   TOLL FREE: 866-222-2575   FAX: 831-597-0792 BUILDBLOCK.COM	CONSTRUCTION SHALL BE IN ACCORDANCE WITH ALL APPLICABLE LOCAL AND NATIONAL CODES. ALL DRAWINGS ARE SUBJECT TO CHANGE WITHOUT NOTICE.			<b>29</b>





 <p>9705 N. BROADWAY EXTENSION, SUITE 200, OKLAHOMA CITY, OK 73114                  OFFICE: 405-840-3386   TOLL FREE: 866-222-2575   FAX: 831-597-0792                  BUILDBLOCK.COM</p>	<b>VERTICAL REINFORCING</b>			DETAIL SHEET
	DATE/REV	11-28-06 / 2	SCALE	NTS
	NOTES			
CONSTRUCTION SHALL BE IN ACCORDANCE WITH ALL APPLICABLE LOCAL AND NATIONAL CODES. ALL DRAWINGS ARE SUBJECT TO CHANGE WITHOUT NOTICE.				

Continuous  
 No. 4 Bar (Minimum)  
 as Required

Center Distance, A,  
 Not Required Stirrups

Lintel  
 Reinforcement  
 as Required

Side  
 bars  
 required  
 withing  
 24"  
 from  
 opening

2' or less  
 No header or  
 side rebar  
 required

Minimum 8"

A

$l < 2'$   
 (0.61mm)

24"  
 (0.61mm)

$l \geq 2' < (0.61 \text{ mm})$

24"  
 (0.61mm)

NO. 4 Bar

Opening Reinforcement  
 as Required

Wall Reinforcement  
 as Required  
 See engineering



9705 N. BROADWAY EXTENSION, SUITE 200, OKLAHOMA CITY, OK 73114  
 OFFICE: 405-840-3386 | TOLL FREE: 866-222-2575 | FAX: 831-597-0792  
 BUILDBLOCK.COM

REINFORCEMENT OF OPENINGS

DATE/REV 11-17-09

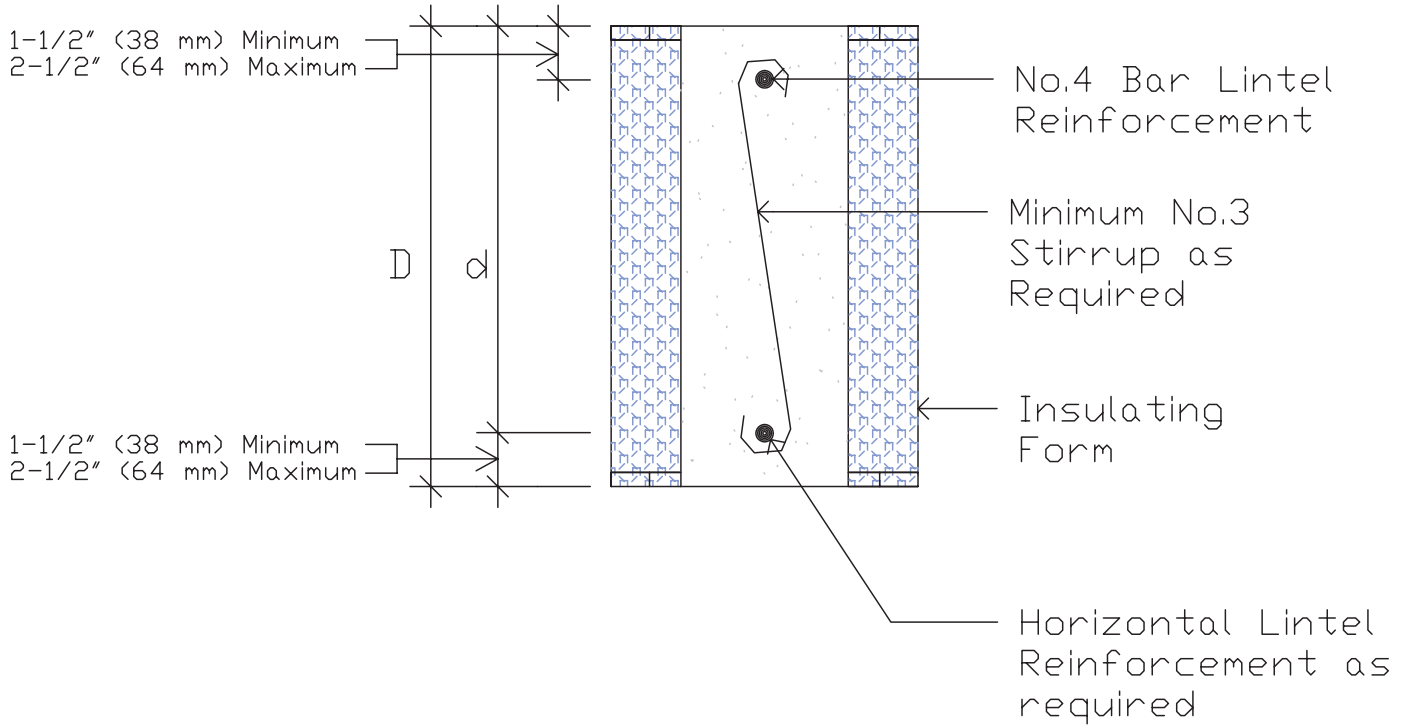
SCALE NTS


DETAIL SHEET

NOTES

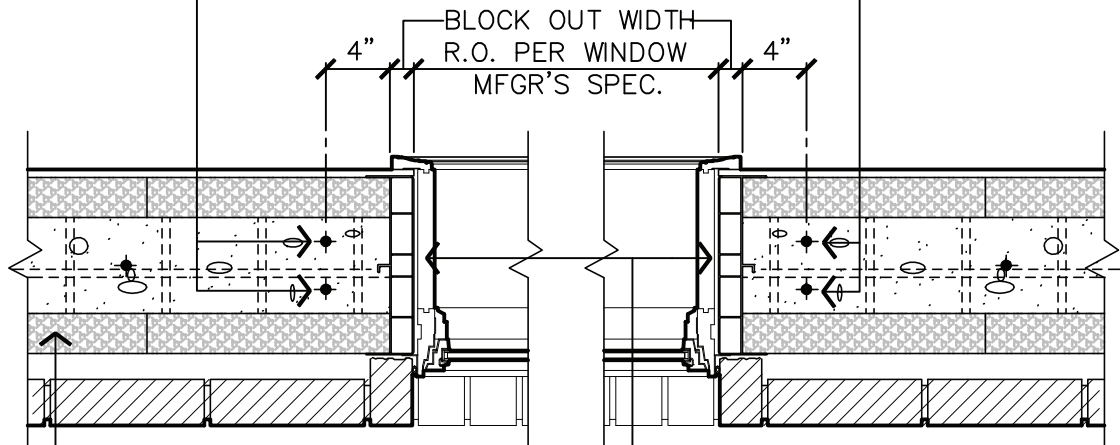
CONSTRUCTION SHALL BE IN ACCORDANCE WITH ALL APPLICABLE  
 LOCAL AND NATIONAL CODES. ALL DRAWINGS ARE SUBJECT TO  
 CHANGE WITHOUT NOTICE.

**30A**



	<b>FLAT ICF LINTEL &amp; STIRRUP CONSTRUCTION</b>				
	DATE/REV	11-17-09	SCALE	NTS	DETAIL SHEET
	NOTES				<b>30B</b>
9705 N. BROADWAY EXTENSION, SUITE 200, OKLAHOMA CITY, OK 73114 OFFICE: 405-840-3386   TOLL FREE: 866-222-2575   FAX: 831-597-0792 BUILDBLOCK.COM		CONSTRUCTION SHALL BE IN ACCORDANCE WITH ALL APPLICABLE LOCAL AND NATIONAL CODES. ALL DRAWINGS ARE SUBJECT TO CHANGE WITHOUT NOTICE.			

UNLESS OTHERWISE SPECIFIED (2) #5 (#16-mm) REBAR SHALL BE PLACED AT ALL OPENINGS - JAMBS, SILL & HEAD (PERIMETER) - REFER TO DIAGRAM FOR ADDITIONAL CORNER REINFORCING REQUIREMENTS - ALL HORZ. SHALL EXTEND 12" MIN. PAST OPENING



JAMB (TYP. WINDOW)

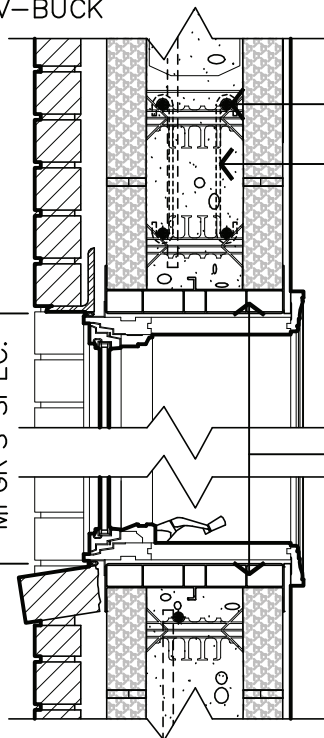
"BuildBlock" 6" OR 8" I.C.F. UNITS  
 "V-BUCK BLOCK OUT SYSTEM" AS MFGD' BY VINYL TECHNOLOGIES INC.  
 - FOR ADDITIONAL INFORMATION REFER TO SEE OUR WEBSITE UNDER PRODUCTS - V-BUCK

2  
31 HORIZONTAL SECTION  
 SCALE: 1" = 1'-0"

**NOTE:**

ALTHOUGH NOT RECOMMENDED WOOD BLOCK OUT MAY BE USED - ALL LUMBER SHALL BE TREATED - ATTACH W/ 6" CONCRETE SCREWS OR RING NECK GALVANIZED NAILS CAST EMBEDDED IN CORE @ (2) X 12" O.C. MINIMUM

FURNISH (2) #3 (#10-MM) REBAR @ 45° TIED TO VERTICAL & HORIZONTAL BARS @ EA. CORNER - 12" MIN. PERIMETER "V-BUCK" - BRACE AS REQ'D



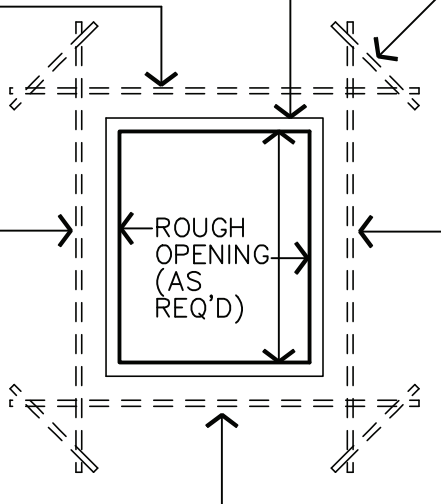
REFER TO LINTEL SCHEDULE IN INSTALLATION MANUAL FOR HEADER REINF'G REQUIREMENTS

HEAD (TYP. WINDOW)

DOOR HEAD. & OTHER FENESTRATION SIMILAR

"V-BUCK BLOCK OUT SYSTEM" AS MFGD' BY VINYL TECHNOLOGIES INC. - FOR ADDITIONAL INFORMATION SEE OUR WEBSITE UNDER PRODUCTS - V-BUCK

1  
31 VERTICAL SECTION  
 SCALE: 1" = 1'-0"



OPENING REINFORCING ELEVATION DIAGRAM

NO SCALE

SILL (TYP. WINDOW)

ACCESS, VENT & OTHER FENESTRATION SIMILAR

**NOTE:**

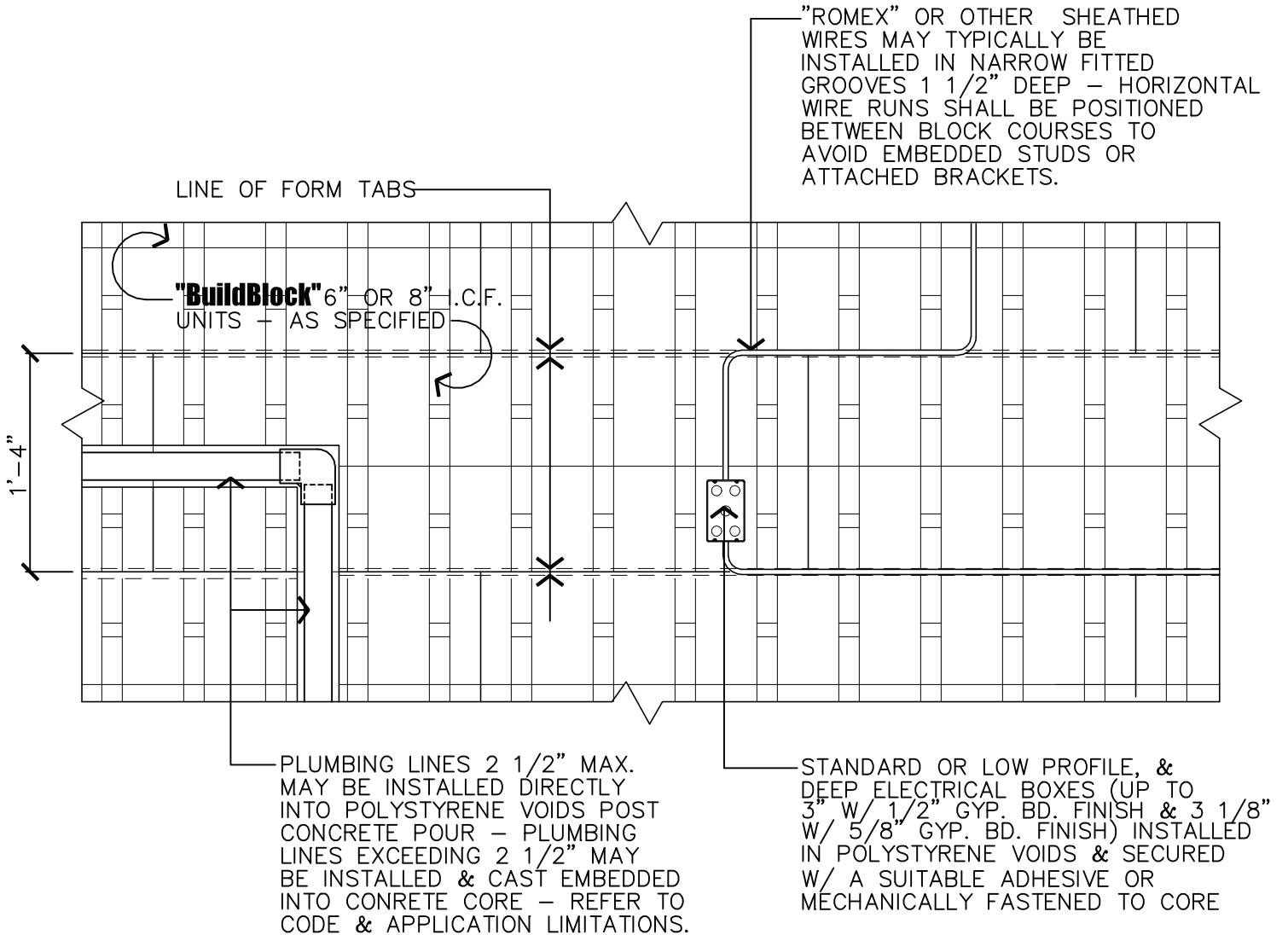
DUE TO VARIATIONS IN SELECTED PRINTER SETTINGS, NOTED SCALES MAY NO LONGER BE APPLICABLE



9705 N. BROADWAY EXTENSION, SUITE 200, OKLAHOMA CITY, OK 73114  
 OFFICE: 405-840-3386 | TOLL FREE: 866-222-2575 | FAX: 831-597-0792  
 BUILDBLOCK.COM

WINDOW OPENINGS

DATE/REV	11-28-06 / 2	SCALE	NTS	DETAIL SHEET
NOTES	CONSTRUCTION SHALL BE IN ACCORDANCE WITH ALL APPLICABLE LOCAL AND NATIONAL CODES. ALL DRAWINGS ARE SUBJECT TO CHANGE WITHOUT NOTICE.			31




**GENERAL DETAIL NOTES:**

1. ALL PLUMBING, CONDUIT, AND SHEATHED WIRE ROUTES SHOULD BE PRE-MARKED AND CUT WITH ROUTER, HOT KNIFE OR ELECTRIC SOLDERING GUN.
2. INSTALLATION OF 1" OR LESS ARE PREFERRED TO BE PLACED IN THE 1" AREA OF HORIZONTAL COURSING WHICH CONTAINS NO TABS. AVOID CUTTING TABS AND WEBBING AT ALL POSSIBLE CIRCUMSTANCES.

1 / 32 ELEVATION  
 SCALE: 1" = 1'-0"

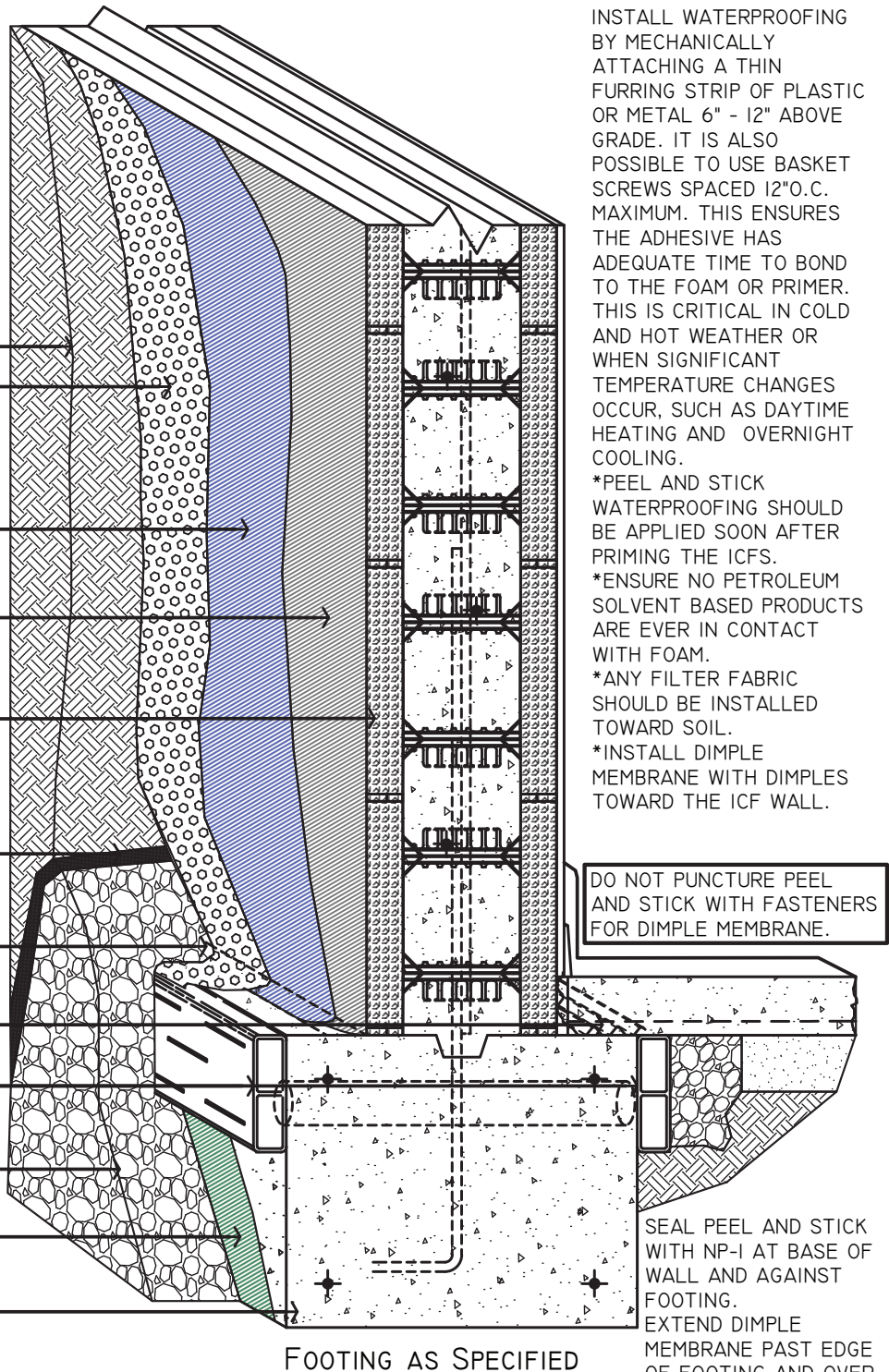
NOTE:  
 DUE TO VARIATIONS IN SELECTED PRINTER SETTINGS, NOTED SCALES MAY NO LONGER BE APPLICABLE

	<b>MECHANICAL INSTALLATIONS</b>				
	DATE/REV	12-01-04 /1	SCALE	NTS	DETAIL SHEET
	NOTES	CONSTRUCTION SHALL BE IN ACCORDANCE WITH ALL APPLICABLE LOCAL AND NATIONAL CODES. ALL DRAWINGS ARE SUBJECT TO CHANGE WITHOUT NOTICE.		<b>32</b>	
9705 N. BROADWAY EXTENSION, SUITE 200, OKLAHOMA CITY, OK 73114 OFFICE: 405-840-3386   TOLL FREE: 866-222-2575   FAX: 831-597-0792 BUILDBLOCK.COM					

\*ADDITIONAL INFORMATION AND PRODUCT SPECIFICATIONS AT BUILDBLOCK.COM

THE WATERPROOFING SYSTEM CONSISTS OF A PEEL AND STICK MEMBRANE ADHERED DIRECTLY TO THE ICF AND A DIMPLE MEMBRANE TO PROTECT WATERPROOFING FROM BACKFILL, PROVIDE A DRAINAGE PLANE AND AN AIR GAP TO RELIEVE HYDROSTATIC SOIL PRESSURE.

- COMPACTED BACKFILL
- AIR GAP (DIMPLE)  
WATERPROOFING MEMBRANE
- 40 MIL - 60 MIL PEEL AND STICK  
SHEET WATERPROOFING
- WATER BASED PRIMER  
APPLY PER MFR.  
RECOMMENDATIONS
- BUILDBLOCK 8" ICF UNITS
- LANDSCAPE FABRIC OR FILTER FABRIC  
ABOVE PERMEABLE BACKFILL.
- NP-I CAULKING AT WALL TO  
FOOTING JOINT AND AT END  
OF PEEL AND STICK MEMBRANE
- "CACTUS BOARD" FLOOR EDGE  
BY BASEMENT SYSTEMS
- "FORM-A-DRAIN" FOUNDATION  
DRAINAGE SYSTEM. BY NORTH AMERICAN  
SPECIALTY PRODUCTS
- PERMEABLE BACKFILL 3/4"  
CRUSHED STONE OR AS SPECIFIED
- LIQUID APPLIED OR TROWEL  
GRADE WATERPROOFING
- INTEGRAL CRYSTALLINE WATERPROOFING  
BY PENETRON, XYPEX OR EQUIVALENT



INSTALL WATERPROOFING BY MECHANICALLY ATTACHING A THIN FURRING STRIP OF PLASTIC OR METAL 6" - 12" ABOVE GRADE. IT IS ALSO POSSIBLE TO USE BASKET SCREWS SPACED 12" O.C. MAXIMUM. THIS ENSURES THE ADHESIVE HAS ADEQUATE TIME TO BOND TO THE FOAM OR PRIMER. THIS IS CRITICAL IN COLD AND HOT WEATHER OR WHEN SIGNIFICANT TEMPERATURE CHANGES OCCUR, SUCH AS DAYTIME HEATING AND OVERNIGHT COOLING.

- \*PEEL AND STICK WATERPROOFING SHOULD BE APPLIED SOON AFTER PRIMING THE ICFS.
- \*ENSURE NO PETROLEUM SOLVENT BASED PRODUCTS ARE EVER IN CONTACT WITH FOAM.
- \*ANY FILTER FABRIC SHOULD BE INSTALLED TOWARD SOIL.
- \*INSTALL DIMPLE MEMBRANE WITH DIMPLES TOWARD THE ICF WALL.

DO NOT PUNCTURE PEEL AND STICK WITH FASTENERS FOR DIMPLE MEMBRANE.

SEAL PEEL AND STICK WITH NP-I AT BASE OF WALL AND AGAINST FOOTING. EXTEND DIMPLE MEMBRANE PAST EDGE OF FOOTING AND OVER FOUNDATION DRAIN TO SHED WATER INTO DRAIN SYSTEM.

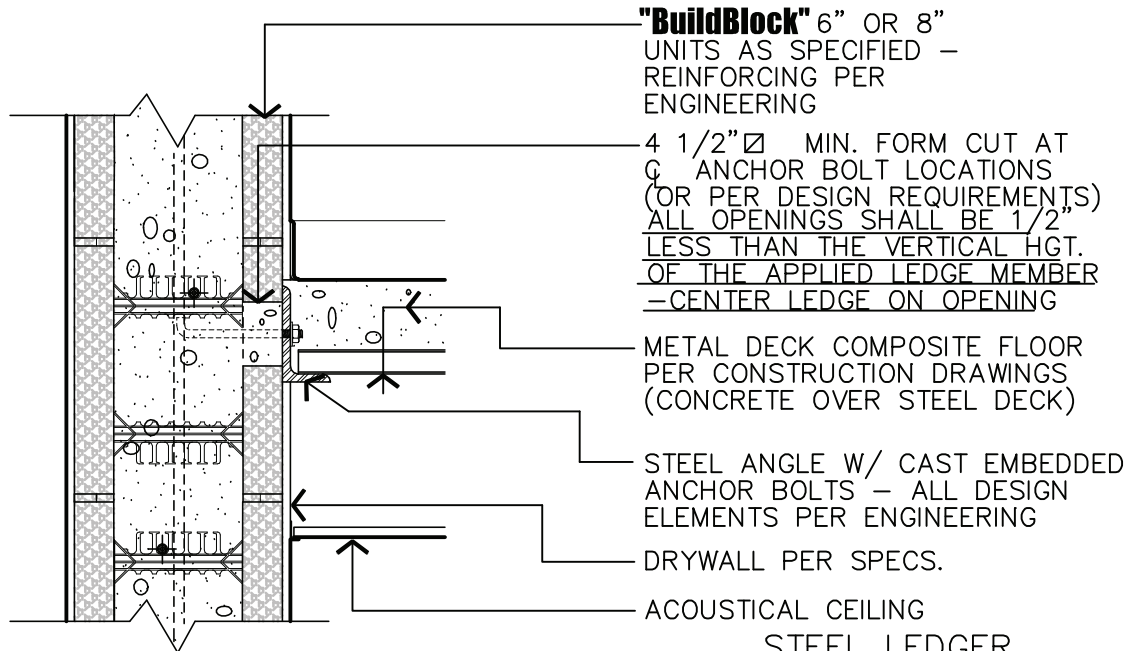
FOOTING AS SPECIFIED

1  
33 ISOMETRIC CUT-AWAY  
SCALE: NTS

**GENERAL DETAIL NOTES:**

1. ALTERNATE WATERPROOFING PRODUCTS WITH EQUAL OR GREATER SPECIFICATIONS MAY BE USED.
2. FOLLOW ALL MANUFACTURER'S INSTALLATION DETAILS AND SPECIFICATIONS.

	<b>SUB-GRADE WATERPROOFING</b>			DETAIL SHEET
	DATE/REV	7-27-16 / 3	SCALE	NTS
NOTES		CONSTRUCTION SHALL BE IN ACCORDANCE WITH ALL APPLICABLE LOCAL AND NATIONAL CODES. ALL DRAWINGS ARE SUBJECT TO CHANGE WITHOUT NOTICE.		
9705 N. BROADWAY EXTENSION, SUITE 200, OKLAHOMA CITY, OK 73114 OFFICE: 405-840-3386   TOLL FREE: 866-222-2575   FAX: 831-597-0792 BUILDBLOCK.COM				

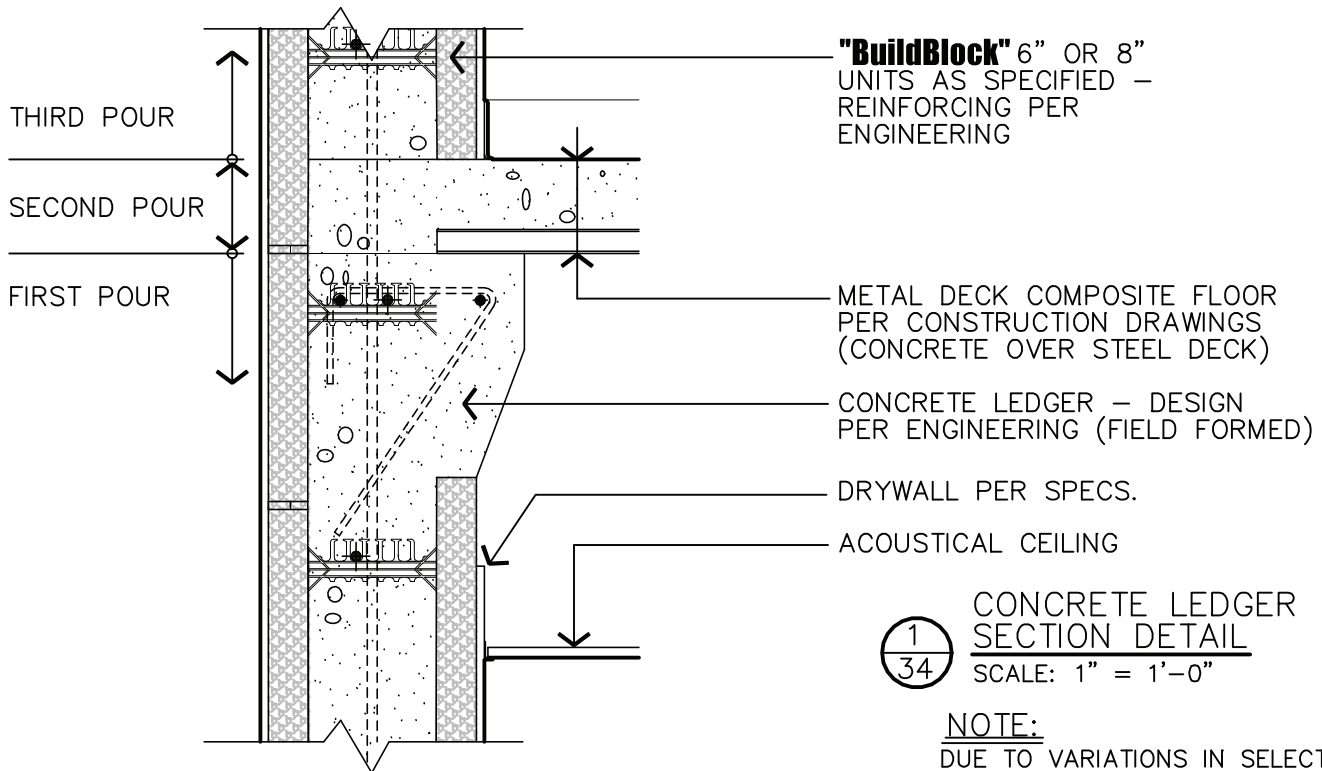


**NOTE:**

VARIATIONS IN IMPOSED LIVE & DEAD  
 LOADS AND OTHER APPLICATION SPECIFIC  
 VARIABLE REQUIRE ALL ASPECTS OF THE  
 DETAILS SHOWN HERE TO BE DESIGNED AND  
 /OR APPROVED BY A QUALIFIED ENGINEER

2  
 34

STEEL LEDGER  
 SECTION DETAIL  
 SCALE: 1" = 1'-0"




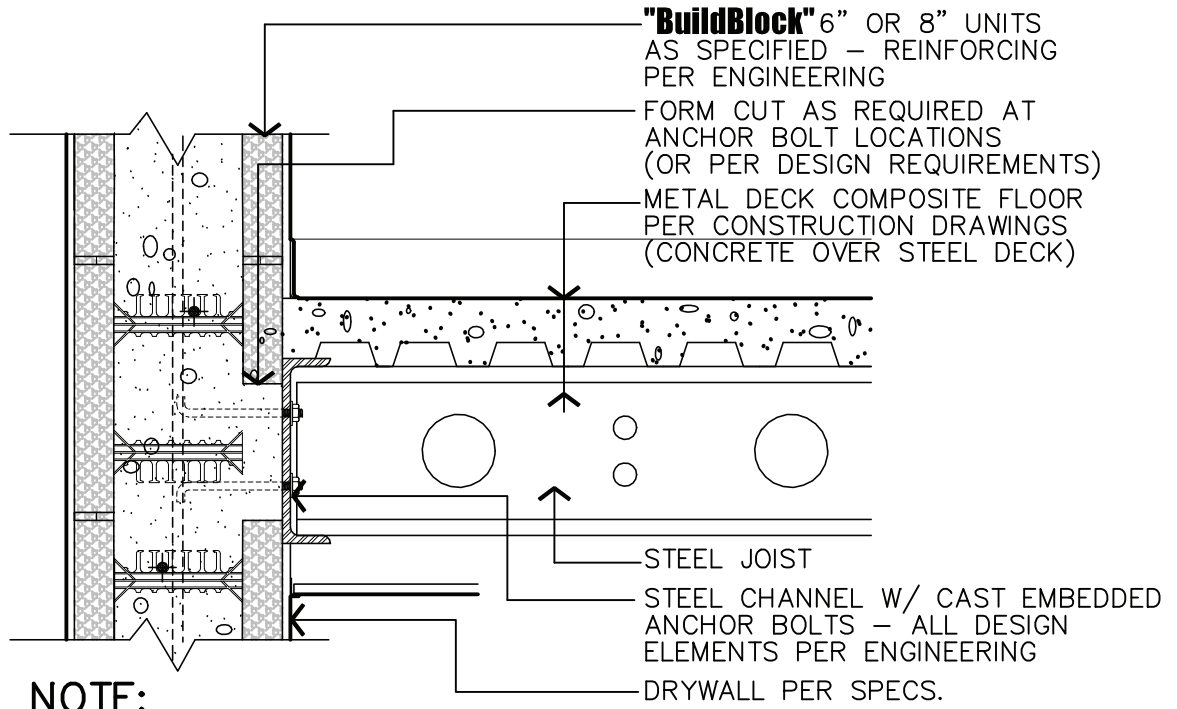
1  
 34

CONCRETE LEDGER  
 SECTION DETAIL  
 SCALE: 1" = 1'-0"

**NOTE:**

DUE TO VARIATIONS IN SELECTED  
 PRINTER SETTINGS, NOTED SCALES  
 MAY NO LONGER BE APPLICABLE

	<b>METAL DECK COMPOSITE FLOORS</b>				
	DATE/REV	12-01-04 /1	SCALE	NTS	DETAIL SHEET
	NOTES				<b>34</b>
9705 N. BROADWAY EXTENSION, SUITE 200, OKLAHOMA CITY, OK 73114 OFFICE: 405-840-3386   TOLL FREE: 866-222-2575   FAX: 831-597-0792 BUILDBLOCK.COM	CONSTRUCTION SHALL BE IN ACCORDANCE WITH ALL APPLICABLE LOCAL AND NATIONAL CODES. ALL DRAWINGS ARE SUBJECT TO CHANGE WITHOUT NOTICE.				

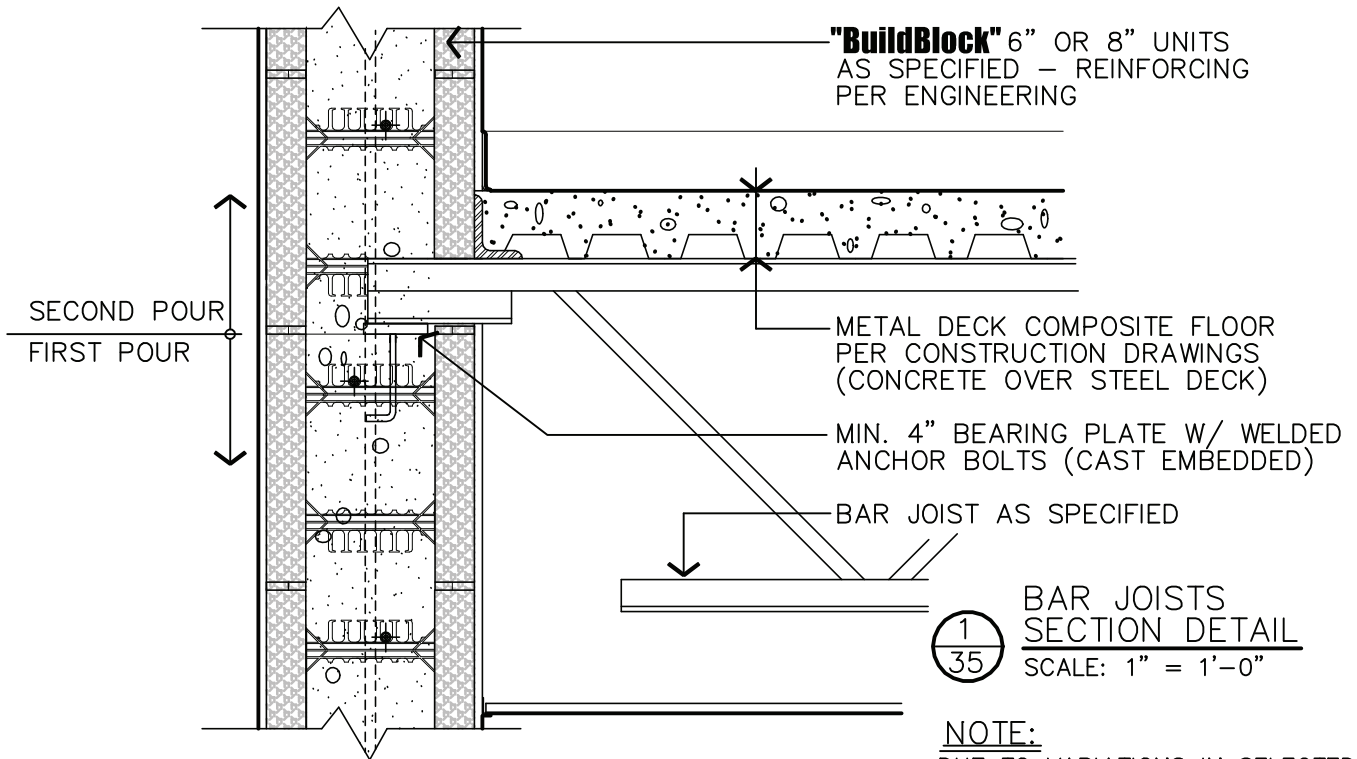


**NOTE:**

VARIATIONS IN IMPOSED LIVE & DEAD  
 LOADS AND OTHER APPLICATION SPECIFIC  
 VARIABLE REQUIRE ALL ASPECTS OF THE  
 DETAILS SHOWN HERE TO BE DESIGNED AND  
 /OR APPROVED BY A QUALIFIED ENGINEER

2  
35

**STEEL JOIST  
 SECTION DETAIL**  
 SCALE: 1" = 1'-0"



1  
35

**BAR JOISTS  
 SECTION DETAIL**  
 SCALE: 1" = 1'-0"

**NOTE:**

DUE TO VARIATIONS IN SELECTED  
 PRINTER SETTINGS, NOTED SCALES  
 MAY NO LONGER BE APPLICABLE



9705 N. BROADWAY EXTENSION, SUITE 200, OKLAHOMA CITY, OK 73114  
 OFFICE: 405-840-3386 | TOLL FREE: 866-222-2575 | FAX: 831-597-0792  
 BUILDBLOCK.COM

**METAL DECK & STEEL JOISTS**

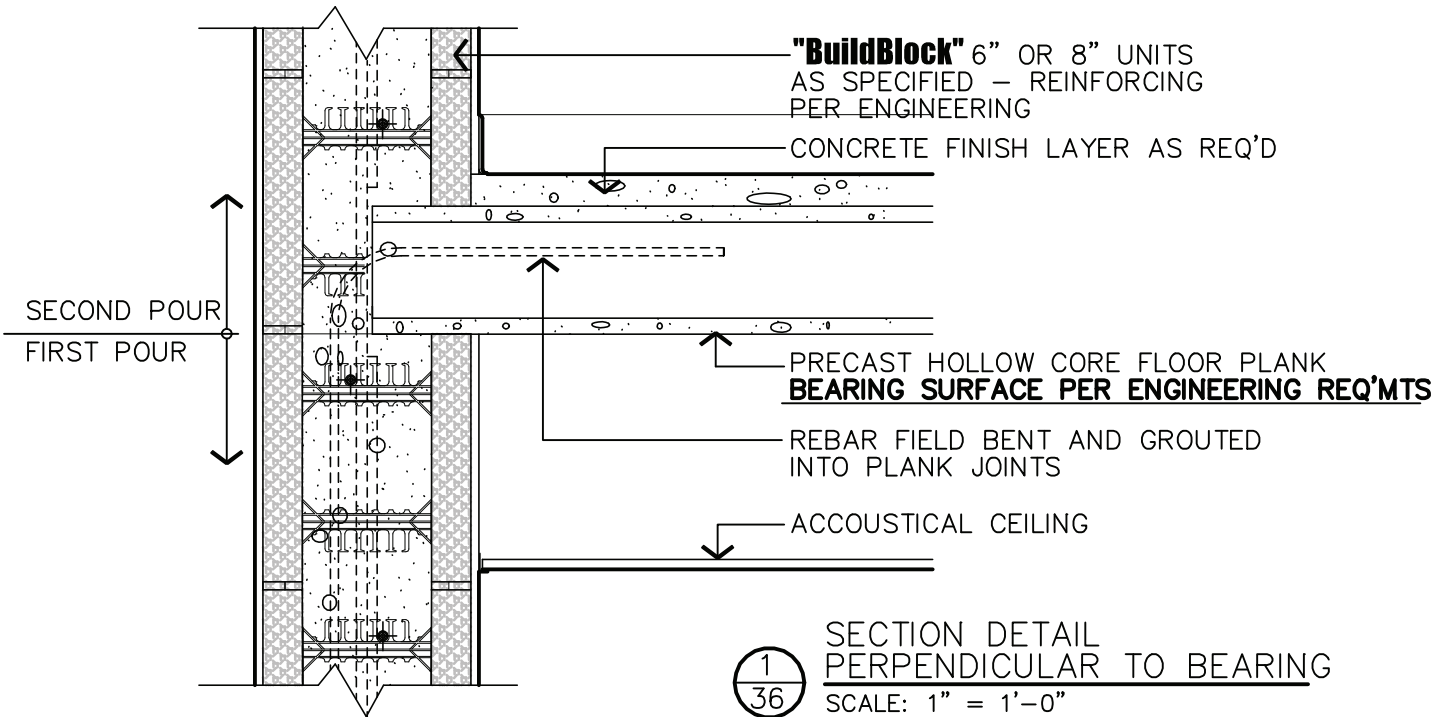
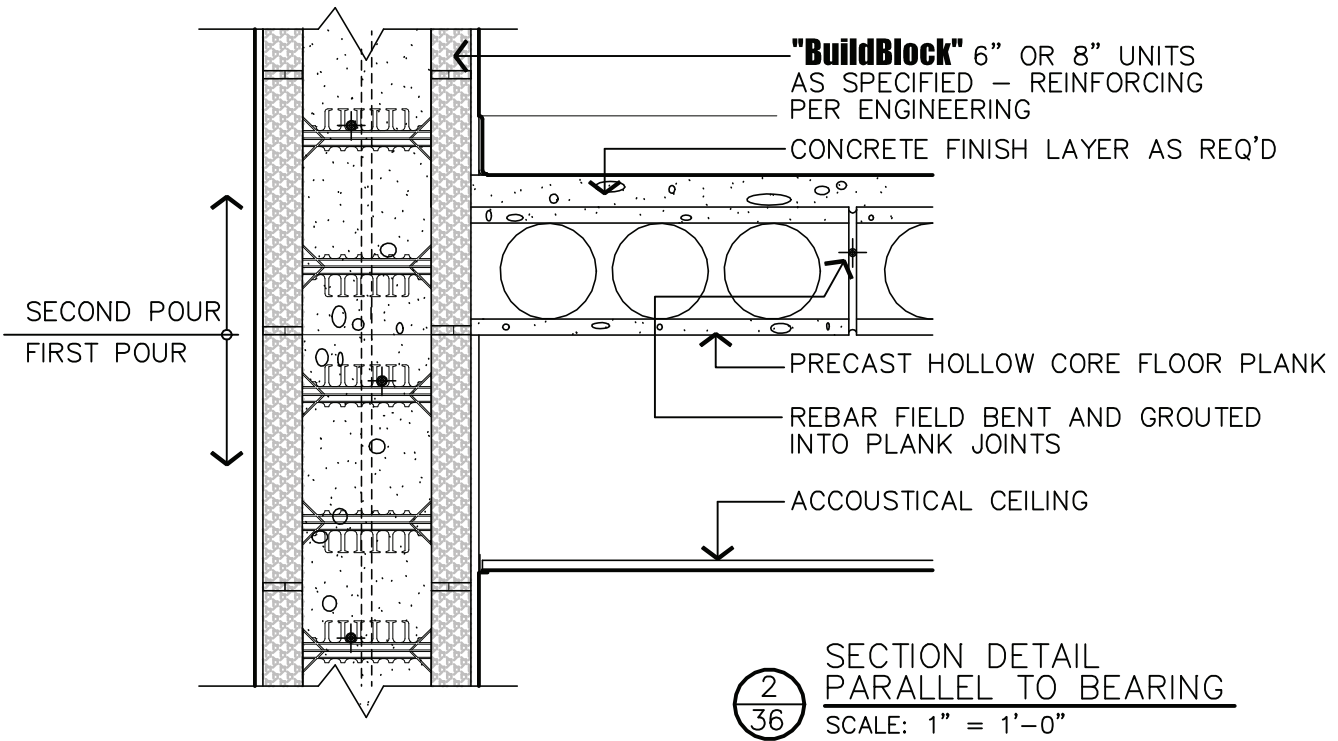
DATE/REV	12-01-04 /1	SCALE	NTS	DETAIL SHEET
----------	-------------	-------	-----	--------------

NOTES				
-------	--	--	--	--


CONSTRUCTION SHALL BE IN ACCORDANCE WITH ALL APPLICABLE  
 LOCAL AND NATIONAL CODES. ALL DRAWINGS ARE SUBJECT TO  
 CHANGE WITHOUT NOTICE.

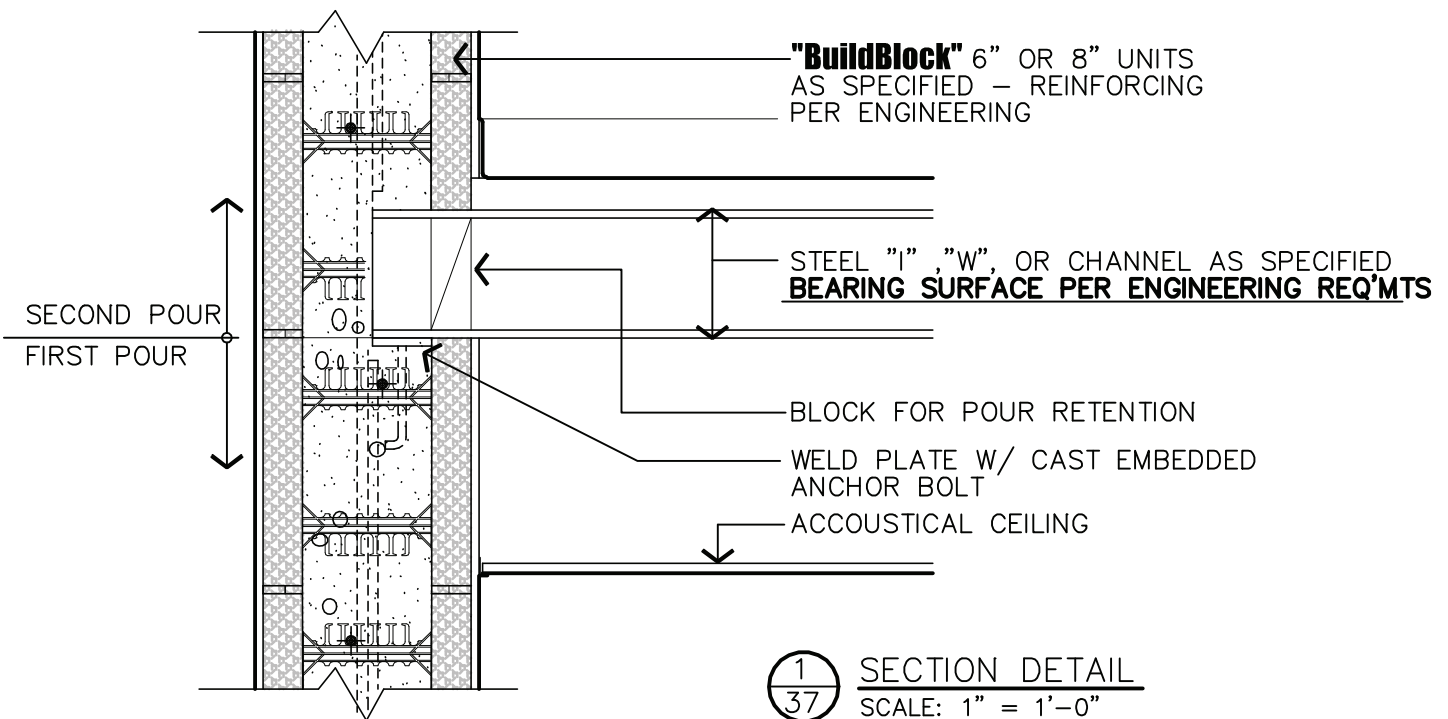
**35**






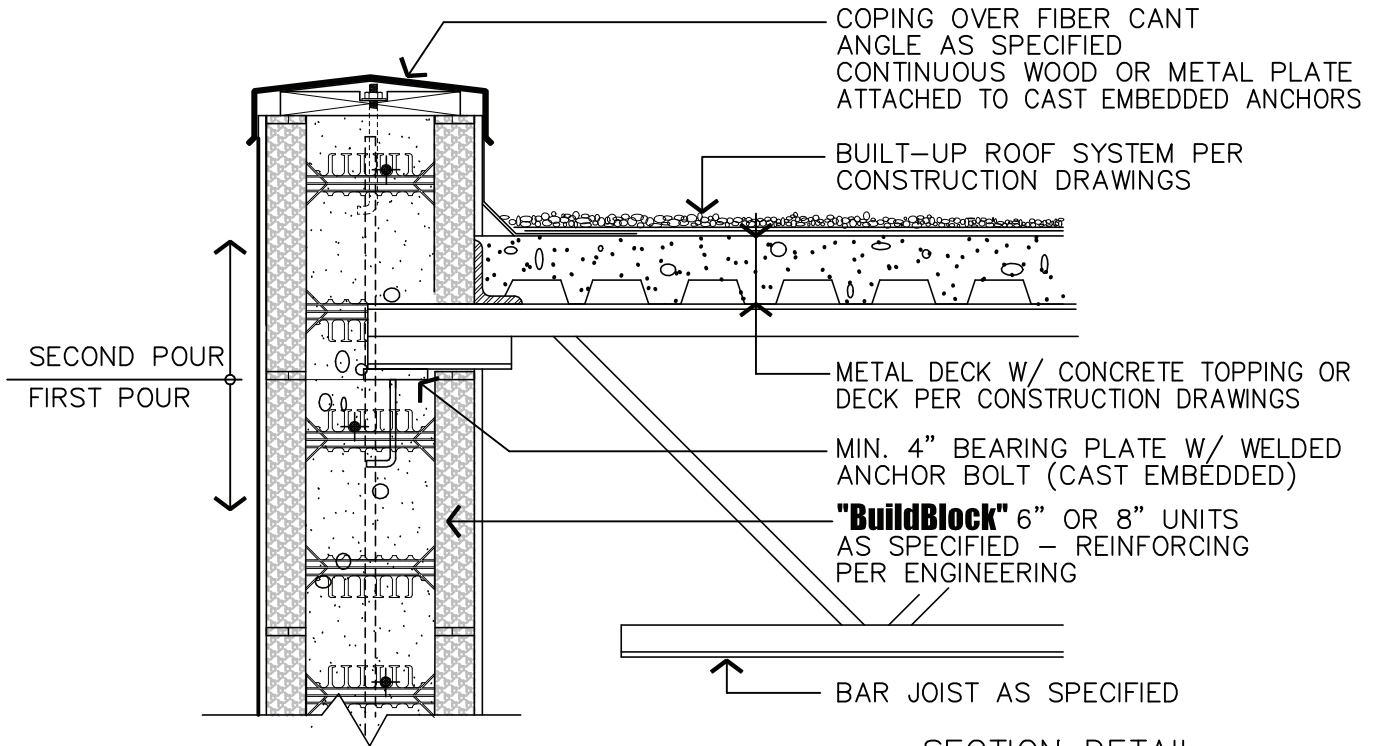
NOTE:  
 DUE TO VARIATIONS IN SELECTED  
 PRINTER SETTINGS, NOTED SCALES  
 MAY NO LONGER BE APPLICABLE

	<b>PRECAST HOLLOW CORE FLOORS</b>			DETAIL SHEET
	DATE/REV	12-01-04 /1	SCALE	NTS
	NOTES			
9705 N. BROADWAY EXTENSION, SUITE 200, OKLAHOMA CITY, OK 73114 OFFICE: 405-840-3386   TOLL FREE: 866-222-2575   FAX: 831-597-0792 BUILDBLOCK.COM	CONSTRUCTION SHALL BE IN ACCORDANCE WITH ALL APPLICABLE LOCAL AND NATIONAL CODES. ALL DRAWINGS ARE SUBJECT TO CHANGE WITHOUT NOTICE.			<b>36</b>

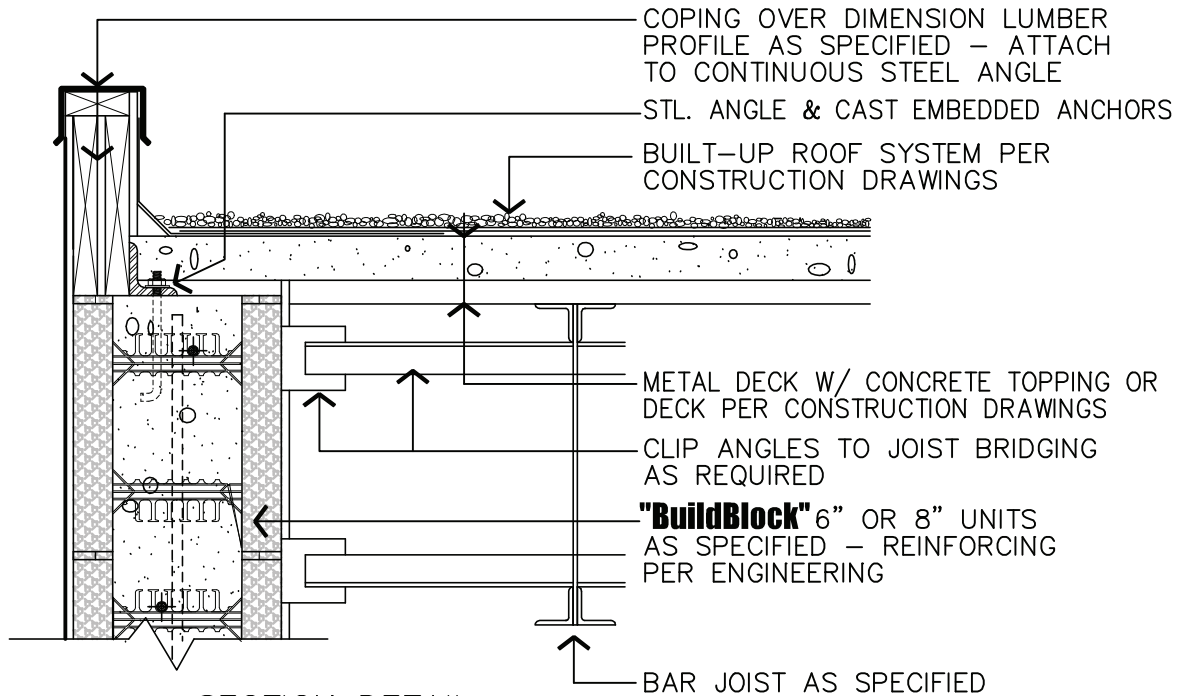


NOTE:  
 DUE TO VARIATIONS IN SELECTED  
 PRINTER SETTINGS, NOTED SCALES  
 MAY NO LONGER BE APPLICABLE

	<b>BEAM POCKET</b>			DETAIL SHEET
	DATE/REV	12-21-01 /1	SCALE	NTS
	NOTES			
9705 N. BROADWAY EXTENSION, SUITE 200, OKLAHOMA CITY, OK 73114 OFFICE: 405-840-3386   TOLL FREE: 866-222-2575   FAX: 831-597-0792 BUILDBLOCK.COM	CONSTRUCTION SHALL BE IN ACCORDANCE WITH ALL APPLICABLE LOCAL AND NATIONAL CODES. ALL DRAWINGS ARE SUBJECT TO CHANGE WITHOUT NOTICE.			37



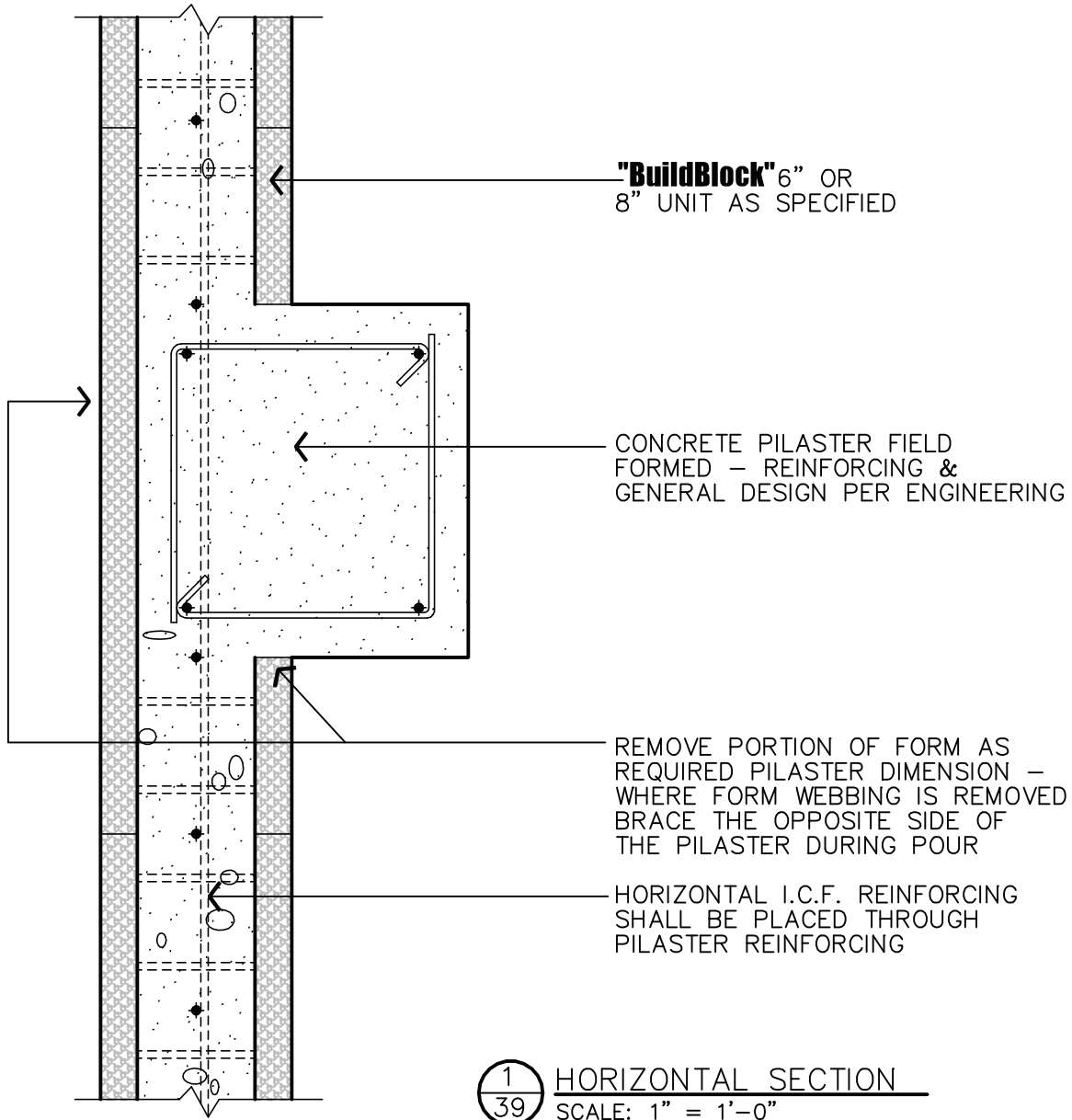
SECTION DETAIL  
 "BUILD BLOCK" PARAPET  
 SCALE: 1" = 1'-0"




SECTION DETAIL  
 WOOD PARAPET  
 SCALE: 1" = 1'-0"

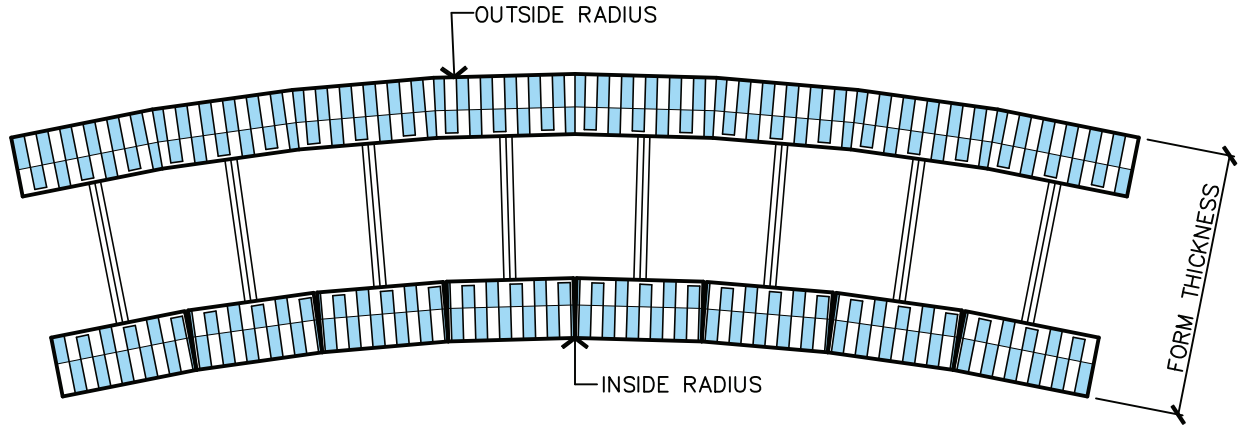
NOTE:  
 DUE TO VARIATIONS IN SELECTED  
 PRINTER SETTINGS, NOTED SCALES  
 MAY NO LONGER BE APPLICABLE

<p>9705 N. BROADWAY EXTENSION, SUITE 200, OKLAHOMA CITY, OK 73114                  OFFICE: 405-840-3386   TOLL FREE: 866-222-2575   FAX: 831-597-0792                  BUILDBLOCK.COM</p>	<b>PARAPETS</b>			DETAIL SHEET
	DATE/REV	12-01-04 /1	SCALE	NTS
	NOTES	CONSTRUCTION SHALL BE IN ACCORDANCE WITH ALL APPLICABLE LOCAL AND NATIONAL CODES. ALL DRAWINGS ARE SUBJECT TO CHANGE WITHOUT NOTICE.		
<div style="font-size: 48pt; font-weight: bold;">38</div>				

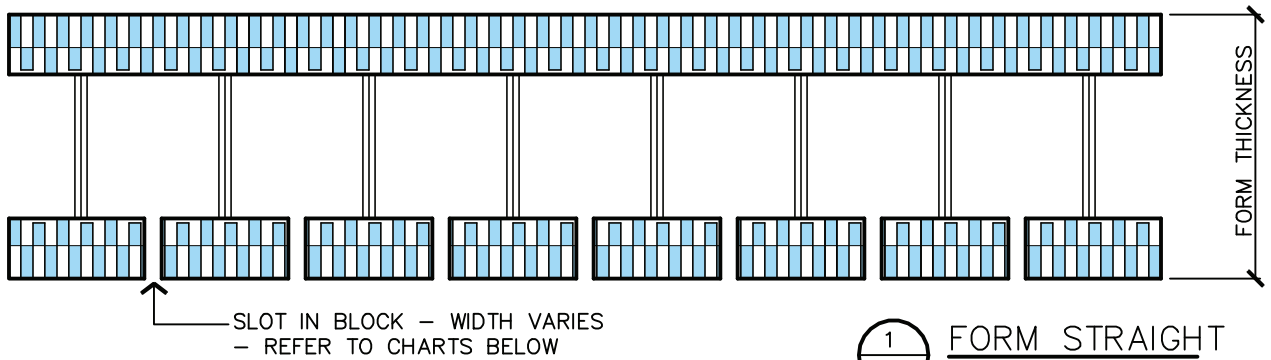


NOTE:  
 DUE TO VARIATIONS IN SELECTED  
 PRINTER SETTINGS, NOTED SCALES  
 MAY NO LONGER BE APPLICABLE

 <p>9705 N. BROADWAY EXTENSION, SUITE 200, OKLAHOMA CITY, OK 73114                  OFFICE: 405-840-3386   TOLL FREE: 866-222-2575   FAX: 831-597-0792                  BUILDBLOCK.COM</p>	<b>PILASTER DETAIL</b>			DETAIL SHEET
	DATE/REV	12-01-04 /1	SCALE	NTS
	NOTES	CONSTRUCTION SHALL BE IN ACCORDANCE WITH ALL APPLICABLE LOCAL AND NATIONAL CODES. ALL DRAWINGS ARE SUBJECT TO CHANGE WITHOUT NOTICE.		
				<b>39</b>



**2** FORM CURVED  
SCALE: 1 1/2" = 1'-0"



**1** FORM STRAIGHT  
SCALE: 1 1/2" = 1'-0"

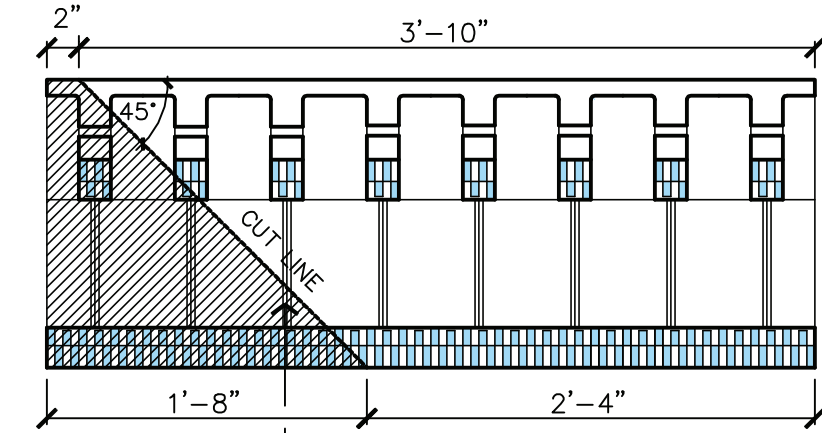
WALL INSIDE RADIUS	SLOTS SPACED AT 6" O.C.			
	4" STRAIGHT FORM (FUTURE)	6" STRAIGHT FORM	8" STRAIGHT FORM	10" STRAIGHT FORM (FUTURE)
2 FEET	1 1/2"	1 3/4"	2"	2 3/16"
3 FEET	1 1/16"	1 5/16"	1 1/2"	1 11/16"
4 FEET	13/16"	1"	1 3/16"	1 5/16"
5 FEET	11/16"	13/16"	1"	1 1/8"
6 FEET	9/16"	11/16"	13/16"	15/16"
7 FEET	1/2"	5/8"	3/4"	7/8"
8 FEET	7/16"	9/16"	5/8"	3/4"
9 FEET	3/8"	1/2"	9/16"	11/16"
10 FEET	3/8"	7/16"	9/16"	5/8"
15 FEET	1/4"	5/16"	3/8"	7/16"
20 FEET	3/16"	1/4"	1/4"	5/16"
25 FEET	1/8"	3/16"	1/4"	1/4"
30 FEET	1/8"	3/16"	3/16"	1/4"
40 FEET	1/8"	1/8"	1/8"	3/16"
50 FEET	1/16"	1/8"	1/8"	1/8"
60 FEET	1/16"	1/16"	1/8"	1/8"
70 FEET	1/16"	1/16"	1/16"	1/8"
80 FEET	1/16"	1/16"	1/16"	1/16"
90 FEET	1/16"	1/16"	1/16"	1/16"
100 FEET	1/16"	1/16"	1/16"	1/16"

WALL INSIDE RADIUS	SLOTS SPACED AT 12" O.C.			
	4" STRAIGHT FORM (FUTURE)	6" STRAIGHT FORM	8" STRAIGHT FORM	10" STRAIGHT FORM (FUTURE)
2 FEET	3"	3 1/2"	4"	4 3/8"
3 FEET	2 3/16"	2 9/16"	3"	3 5/16"
4 FEET	1 11/16"	2 1/16"	2 3/8"	2 11/16"
5 FEET	1 3/8"	1 11/16"	2"	2 1/4"
6 FEET	1 3/16"	1 7/16"	1 11/16"	1 15/16"
7 FEET	1"	1 1/4"	1 1/2"	1 11/16"
8 FEET	7/8"	1 1/8"	1 5/16"	1 1/2"
9 FEET	13/16"	1"	1 3/16"	1 3/8"
10 FEET	3/4"	7/8"	1 1/16"	1 1/4"
15 FEET	1/2"	5/8"	3/4"	7/8"
20 FEET	3/8"	1/2"	9/16"	5/8"
25 FEET	5/16"	3/8"	7/16"	1/2"
30 FEET	1/4"	5/16"	3/8"	7/16"
40 FEET	3/16"	1/4"	5/16"	5/16"
50 FEET	1/8"	3/16"	1/4"	1/4"
60 FEET	1/8"	3/16"	3/16"	1/4"
70 FEET	1/8"	1/8"	3/16"	3/16"
80 FEET	1/8"	1/8"	1/8"	3/16"
90 FEET	1/16"	1/8"	1/8"	1/8"
100 FEET	1/16"	1/8"	1/8"	1/8"

**NOTE:**  
DUE TO VARIATIONS IN SELECTED PRINTER SETTINGS, NOTED SCALES MAY NO LONGER BE APPLICABLE

Please refer to Section 5.7 in the BuildBlock Installation & Technical Manual for additional form and radius sizes.

<p>9705 N. BROADWAY EXTENSION, SUITE 200, OKLAHOMA CITY, OK 73114 OFFICE: 405-840-3386   TOLL FREE: 866-222-2575   FAX: 831-597-0792 BUILDBLOCK.COM</p>	<b>BUILDBLOCK RADIUS WALLS</b>			DETAIL SHEET
	DATE/REV	12-01-04 / 1	SCALE	NTS
	NOTES	CONSTRUCTION SHALL BE IN ACCORDANCE WITH ALL APPLICABLE LOCAL AND NATIONAL CODES. ALL DRAWINGS ARE SUBJECT TO CHANGE WITHOUT NOTICE.		

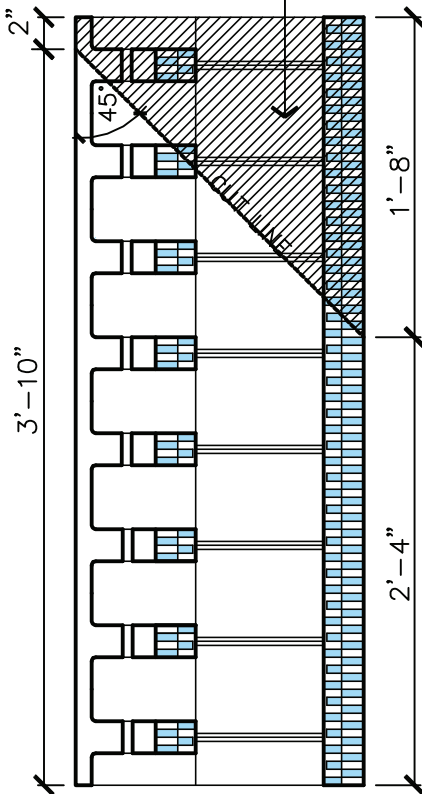


CUTTING NOTES:

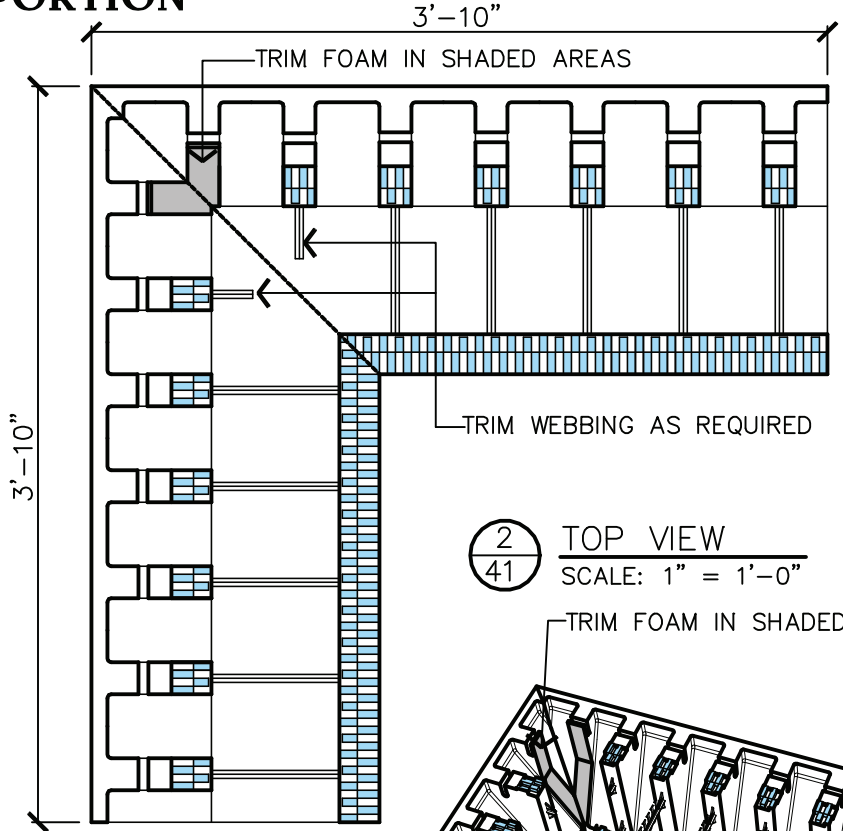
BY FOLLOWING THE PRESCRIBED CUT DIMENSIONS (2) LEDGE BLOCKS WILL YIELD (1) 90° CORNER ASSEMBLY WITH MINIMAL WASTE.

**DISCARD THIS PORTION**

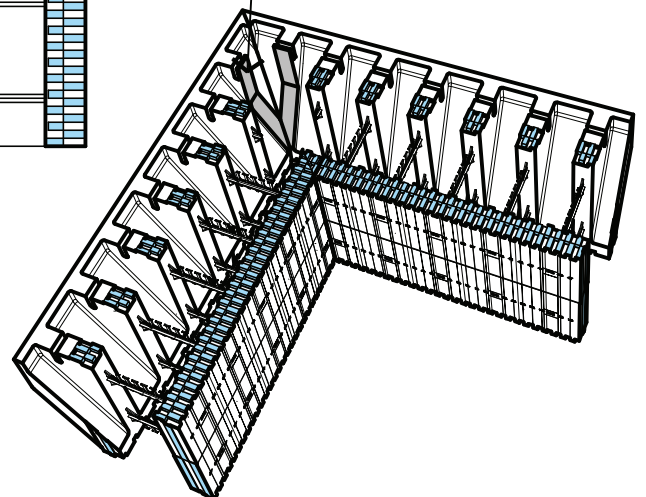
**3**  
41  
CUTTING DIAGRAM  
(TOP VIEW FULL BLOCK)  
SCALE: 1" = 1'-0"



**1**  
41  
PERSPECTIVE VIEW  
NO SCALE




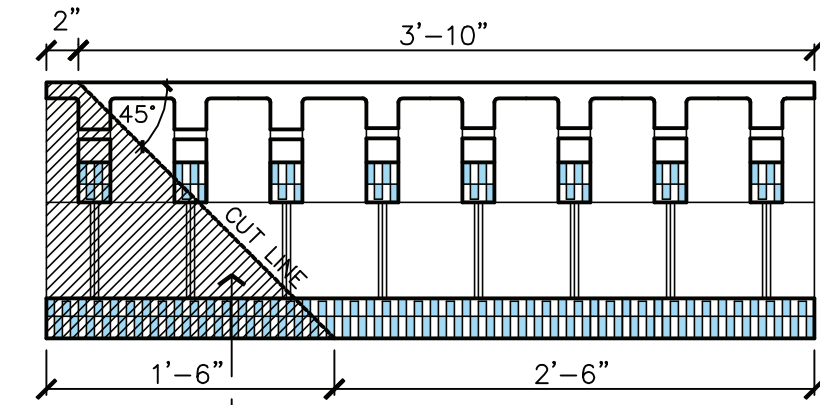
**2**  
41  
TOP VIEW  
SCALE: 1" = 1'-0"  
TRIM FOAM IN SHADED AREAS



NOTE:

DUE TO VARIATIONS IN SELECTED PRINTER SETTINGS, NOTED SCALES MAY NO LONGER BE APPLICABLE

	<b>8" LEDGEBLOCK OUTSIDE 90° MITER NO. 1</b>			
	DATE/REV 03-15-06 /1	SCALE NTS	DETAIL SHEET	
9705 N. BROADWAY EXTENSION, SUITE 200, OKLAHOMA CITY, OK 73114 OFFICE: 405-840-3386   TOLL FREE: 866-222-2575   FAX: 831-597-0792 BUILDBLOCK.COM	CONSTRUCTION SHALL BE IN ACCORDANCE WITH ALL APPLICABLE LOCAL AND NATIONAL CODES. ALL DRAWINGS ARE SUBJECT TO CHANGE WITHOUT NOTICE.		<h1>41</h1>	



CUTTING NOTES:

BY FOLLOWING THE PRESCRIBED CUT DIMENSIONS (2) LEDGE BLOCKS WILL YIELD (1) 90° CORNER ASSEMBLY WITH MINIMAL WASTE.

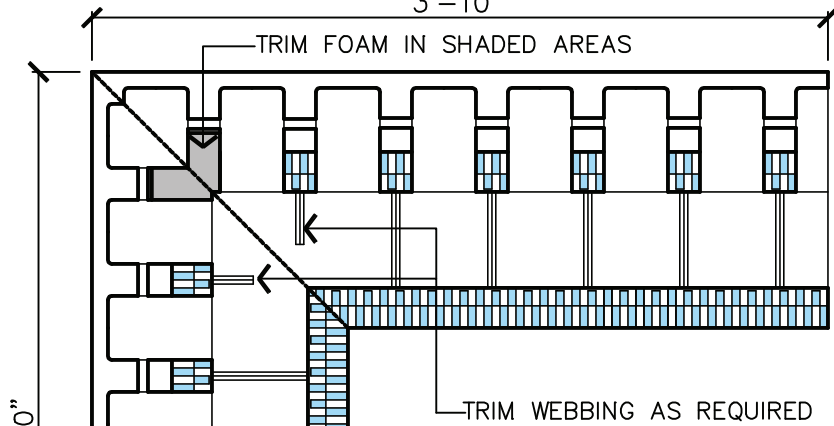
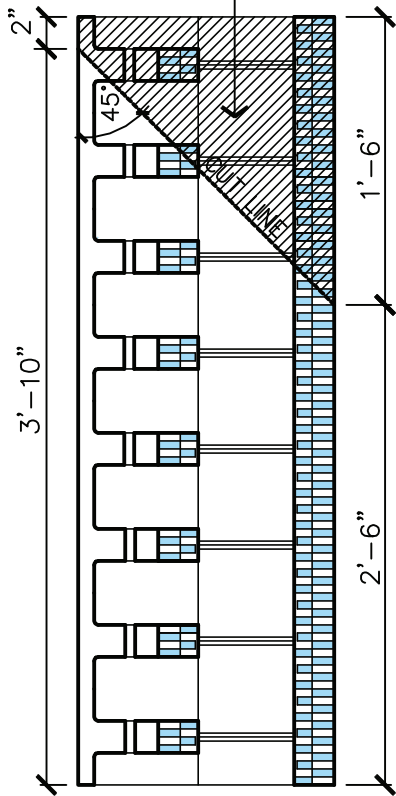
CUTTING DIAGRAM

(TOP VIEW FULL BLOCK)

SCALE: 1" = 1'-0"

3 / 41a

**DISCARD THIS PORTION**

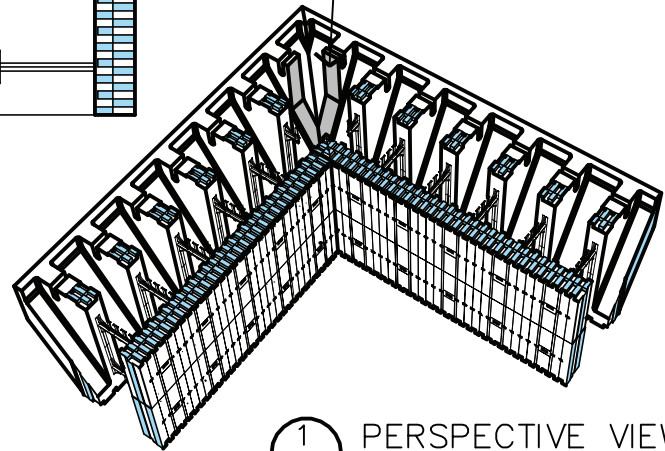


2 / 41a

TOP VIEW

SCALE: 1" = 1'-0"

TRIM FOAM IN SHADED AREAS



1 / 41a

PERSPECTIVE VIEW

NO SCALE

NOTE:

DUE TO VARIATIONS IN SELECTED PRINTER SETTINGS, NOTED SCALES MAY NO LONGER BE APPLICABLE



6" LEDGEBLOCK OUTSIDE 90° MITER NO. 1

DATE/REV 02-09-06 /1

SCALE NTS

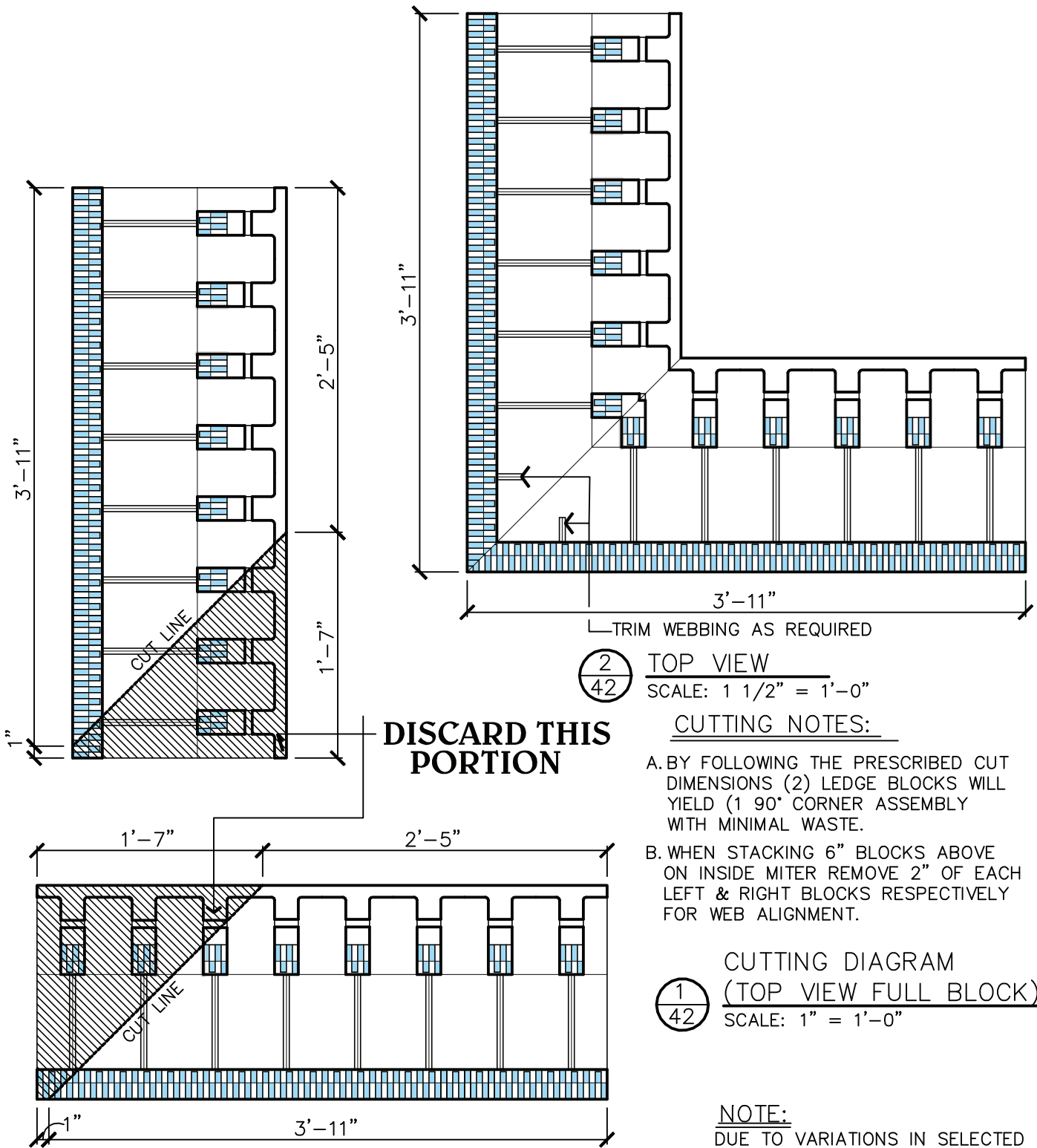
DETAIL SHEET

NOTES

9705 N. BROADWAY EXTENSION, SUITE 200, OKLAHOMA CITY, OK 73114  
 OFFICE: 405-840-3386 | TOLL FREE: 866-222-2575 | FAX: 831-597-0792  
 BUILDBLOCK.COM

CONSTRUCTION SHALL BE IN ACCORDANCE WITH ALL APPLICABLE LOCAL AND NATIONAL CODES. ALL DRAWINGS ARE SUBJECT TO CHANGE WITHOUT NOTICE.

**41A**



**(2)** TOP VIEW  
 SCALE: 1 1/2" = 1'-0"

CUTTING NOTES:

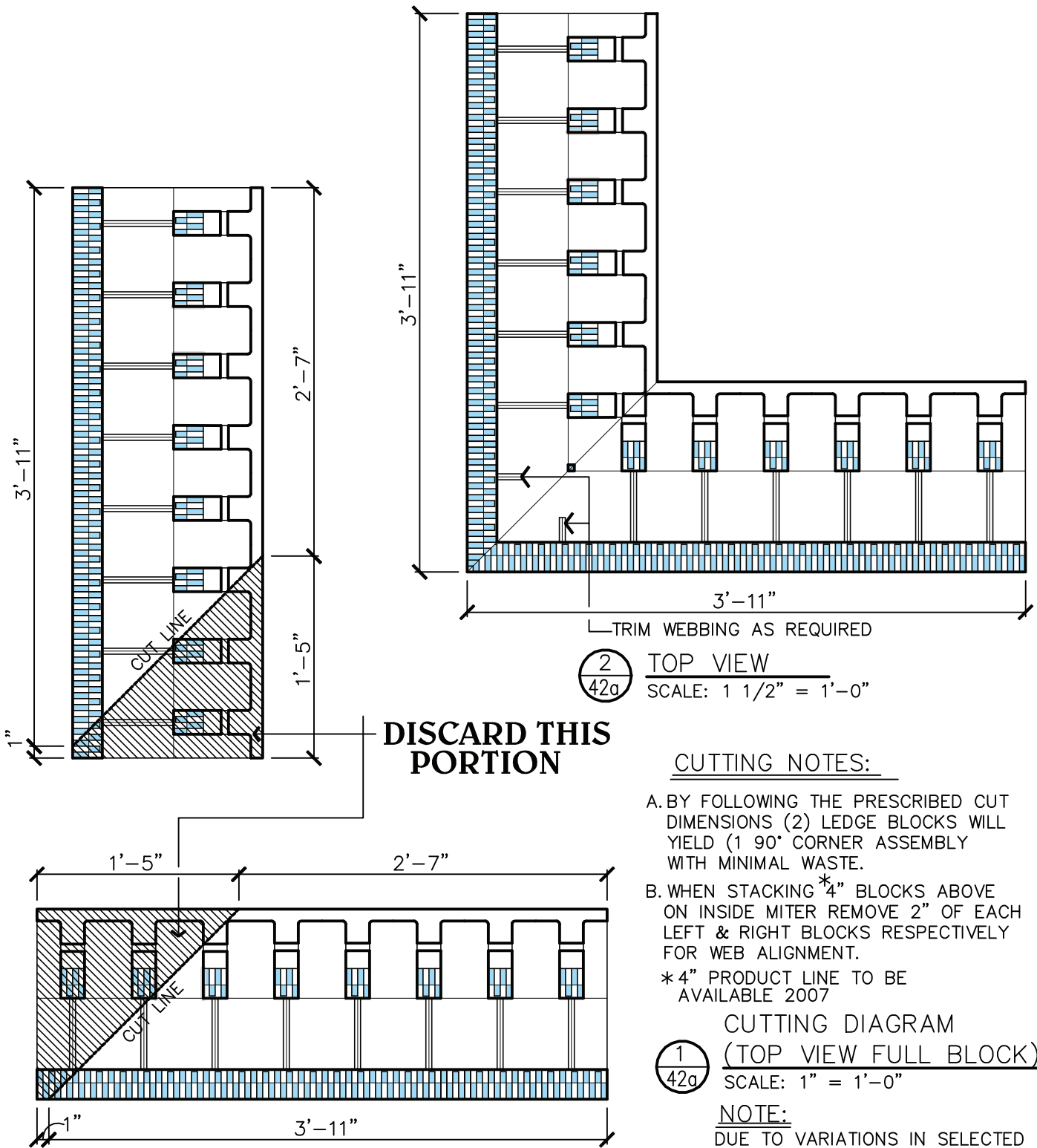
- A. BY FOLLOWING THE PRESCRIBED CUT DIMENSIONS (2) LEDGE BLOCKS WILL YIELD (1 90° CORNER ASSEMBLY WITH MINIMAL WASTE.
- B. WHEN STACKING 6" BLOCKS ABOVE ON INSIDE MITER REMOVE 2" OF EACH LEFT & RIGHT BLOCKS RESPECTIVELY FOR WEB ALIGNMENT.

**(1)** CUTTING DIAGRAM  
 (TOP VIEW FULL BLOCK)  
 SCALE: 1" = 1'-0"

NOTE:  
 DUE TO VARIATIONS IN SELECTED PRINTER SETTINGS, NOTED SCALES MAY NO LONGER BE APPLICABLE

	<b>LEDGEBLOCK INSIDE 90° MITER NO. 1</b>			
	DATE/REV	12-01-04 /1	SCALE	NTS
	DETAIL SHEET			<b>42</b>
9705 N. BROADWAY EXTENSION, SUITE 200, OKLAHOMA CITY, OK 73114 OFFICE: 405-840-3386   TOLL FREE: 866-222-2575   FAX: 831-597-0792 BUILDBLOCK.COM		CONSTRUCTION SHALL BE IN ACCORDANCE WITH ALL APPLICABLE LOCAL AND NATIONAL CODES. ALL DRAWINGS ARE SUBJECT TO CHANGE WITHOUT NOTICE.		





**DISCARD THIS PORTION**

**(2)** TOP VIEW  
 42a SCALE: 1 1/2" = 1'-0"

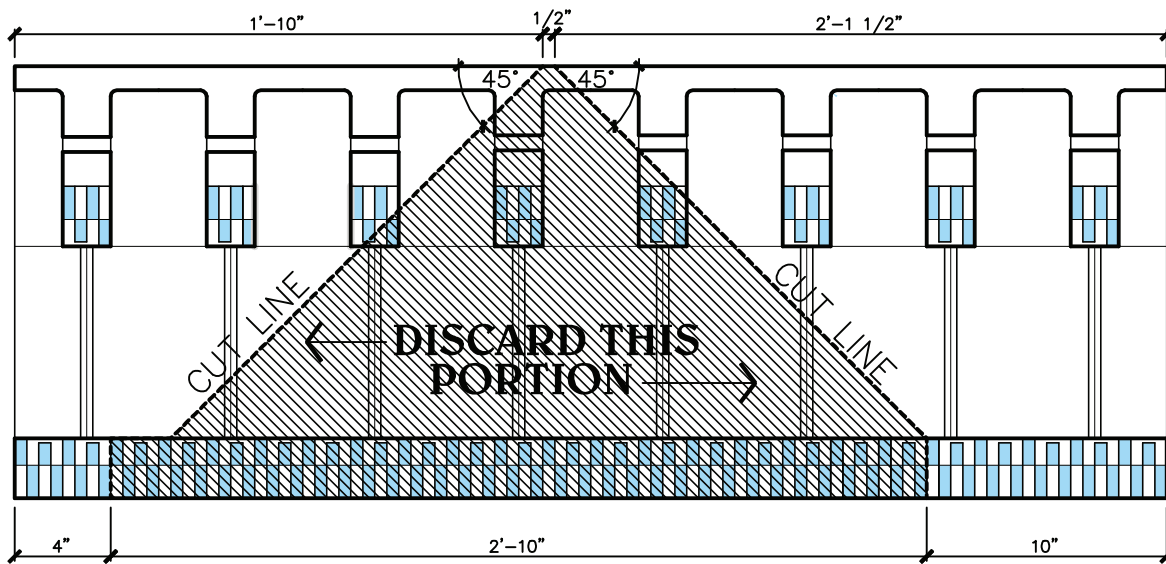
CUTTING NOTES:

- A. BY FOLLOWING THE PRESCRIBED CUT DIMENSIONS (2) LEDGE BLOCKS WILL YIELD (1 90° CORNER ASSEMBLY WITH MINIMAL WASTE.
  - B. WHEN STACKING \*4" BLOCKS ABOVE ON INSIDE MITER REMOVE 2" OF EACH LEFT & RIGHT BLOCKS RESPECTIVELY FOR WEB ALIGNMENT.
- \*4" PRODUCT LINE TO BE AVAILABLE 2007

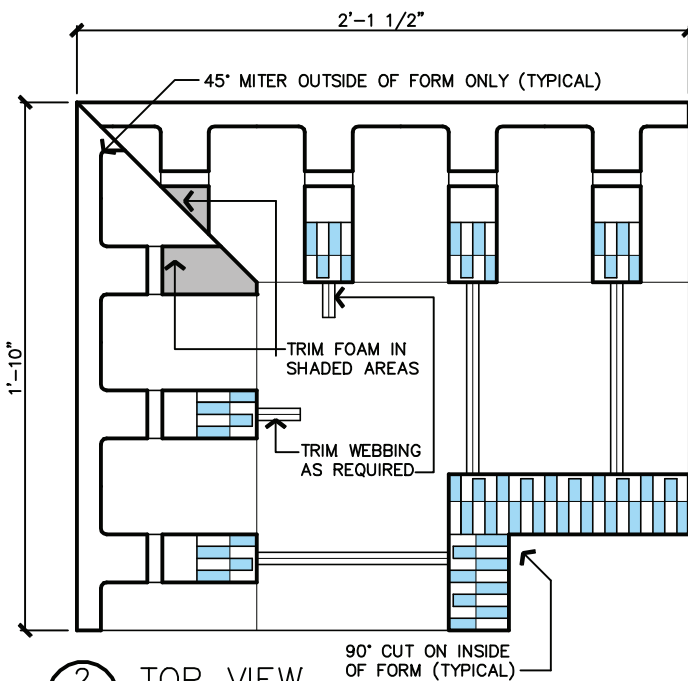
**(1)** CUTTING DIAGRAM  
 42a (TOP VIEW FULL BLOCK)  
 SCALE: 1" = 1'-0"

NOTE:  
 DUE TO VARIATIONS IN SELECTED PRINTER SETTINGS, NOTED SCALES MAY NO LONGER BE APPLICABLE

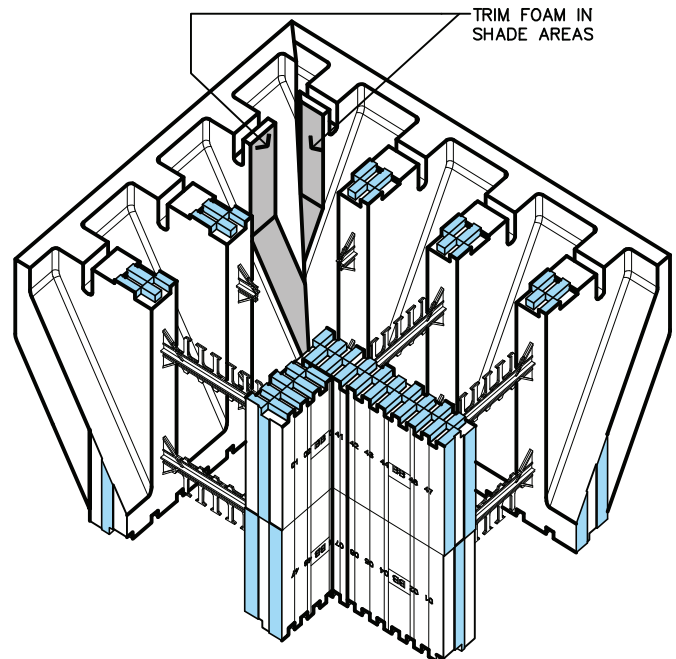
	<b>6" LEDGEBLOCK INSIDE 90° MITER NO. 1</b>			
	DATE/REV	02-09-06	SCALE	NTS
	NOTES			
9705 N. BROADWAY EXTENSION, SUITE 200, OKLAHOMA CITY, OK 73114 OFFICE: 405-840-3386   TOLL FREE: 866-222-2575   FAX: 831-597-0792 BUILDBLOCK.COM	CONSTRUCTION SHALL BE IN ACCORDANCE WITH ALL APPLICABLE LOCAL AND NATIONAL CODES. ALL DRAWINGS ARE SUBJECT TO CHANGE WITHOUT NOTICE.			42A



**3** CUTTING DIAGRAM (TOP VIEW FULL BLOCK)  
 43 SCALE: 1 1/2" = 1'-0"



**2** TOP VIEW  
 43 SCALE: 1 1/2" = 1'-0"



**1** PERSPECTIVE VIEW  
 43 NO SCALE

CUTTING NOTES:

BY FOLLOWING THE PRESCRIBED CUT DIMENSIONS EACH LEDGE BLOCK WILL YIELD (1) 90° CORNER ASSEMBLY WITH MINIMAL WASTE.

NOTE:

DUE TO VARIATIONS IN SELECTED PRINTER SETTINGS, NOTED SCALES MAY NO LONGER BE APPLICABLE



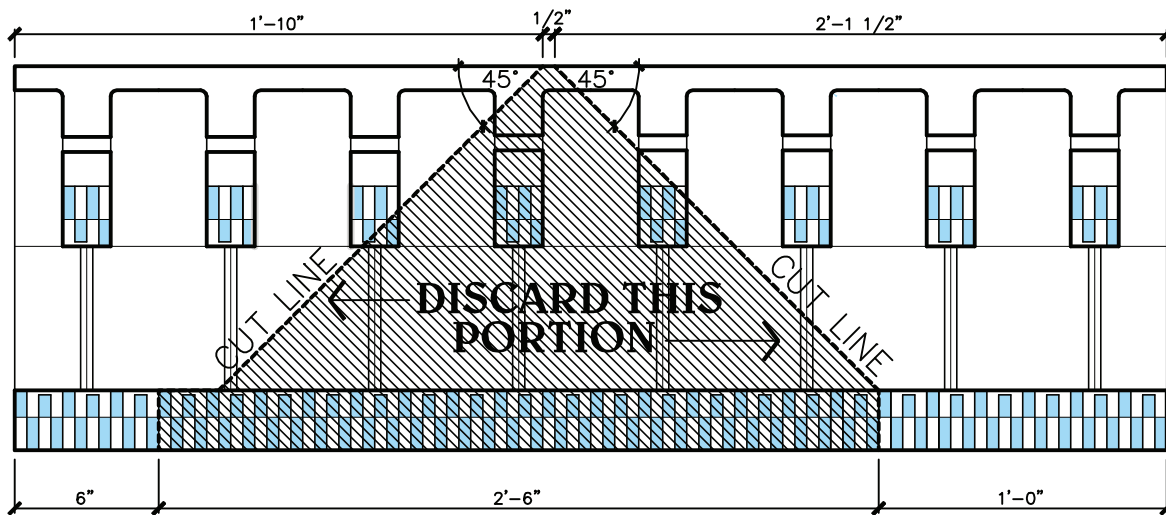
**8" LEDGEBLOCK OUTSIDE 90° MITER NO. 2**

DATE/REV	03-02-06 /1	SCALE	NTS	DETAIL SHEET
NOTES				

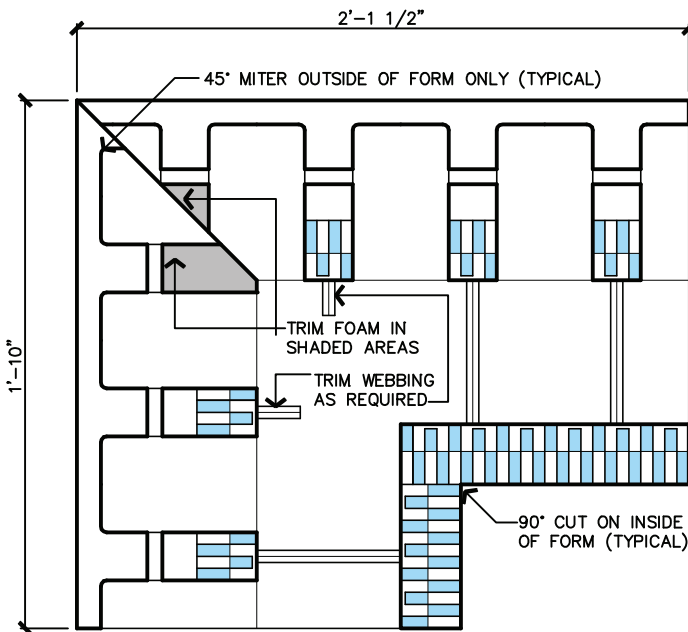
9705 N. BROADWAY EXTENSION, SUITE 200, OKLAHOMA CITY, OK 73114  
 OFFICE: 405-840-3386 | TOLL FREE: 866-222-2575 | FAX: 831-597-0792  
 BUILDBLOCK.COM

CONSTRUCTION SHALL BE IN ACCORDANCE WITH ALL APPLICABLE LOCAL AND NATIONAL CODES. ALL DRAWINGS ARE SUBJECT TO CHANGE WITHOUT NOTICE.

**43**



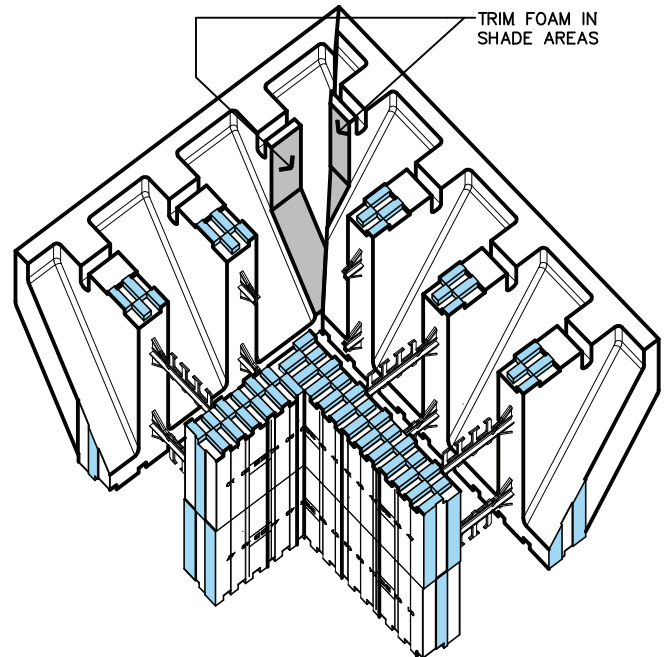
**3** CUTTING DIAGRAM (TOP VIEW FULL BLOCK)  
 43a SCALE: 1 1/2" = 1'-0"



**2** TOP VIEW  
 43a SCALE: 1 1/2" = 1'-0"

CUTTING NOTES:

BY FOLLOWING THE PRESCRIBED CUT DIMENSIONS EACH LEDGE BLOCK WILL YIELD (1) 90° CORNER ASSEMBLY WITH MINIMAL WASTE.



**1** PERSPECTIVE VIEW  
 43a NO SCALE

NOTE:

DUE TO VARIATIONS IN SELECTED PRINTER SETTINGS, NOTED SCALES MAY NO LONGER BE APPLICABLE



9705 N. BROADWAY EXTENSION, SUITE 200, OKLAHOMA CITY, OK 73114  
 OFFICE: 405-840-3386 | TOLL FREE: 866-222-2575 | FAX: 831-597-0792  
 BUILDBLOCK.COM

6" LEDGEBLOCK OUTSIDE 90° MITER NO. 2

DATE/REV 03-02-03 /1

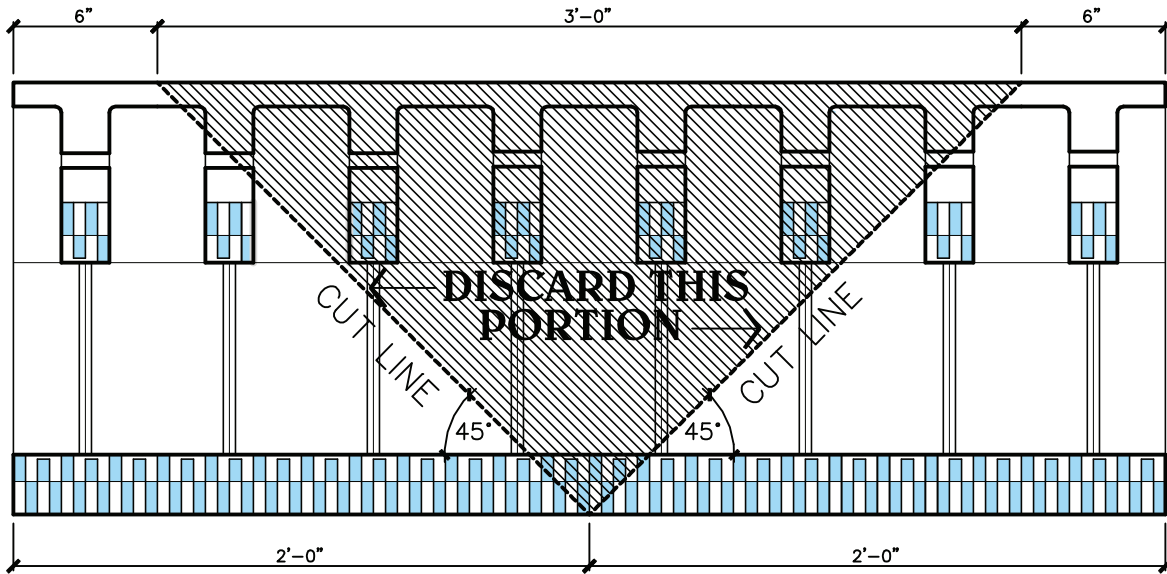
SCALE NTS

DETAIL SHEET

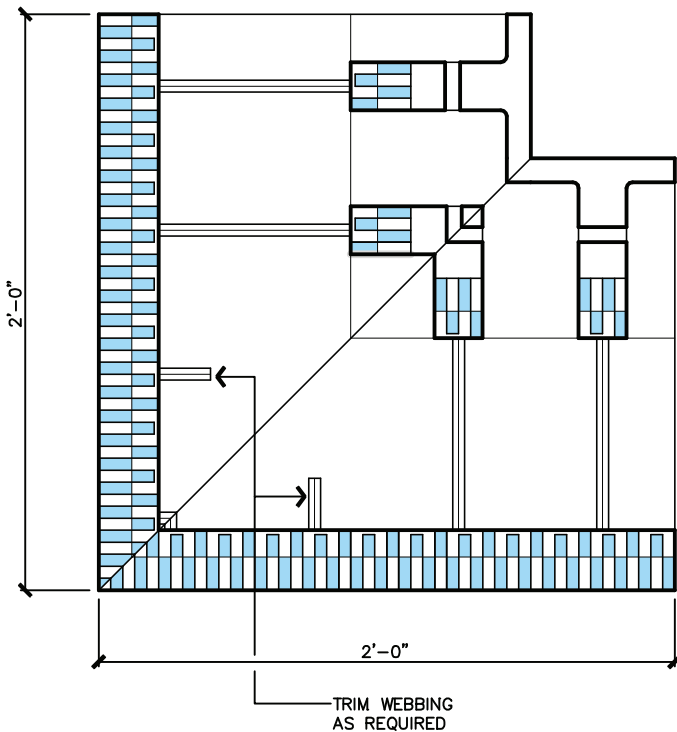
NOTES

CONSTRUCTION SHALL BE IN ACCORDANCE WITH ALL APPLICABLE LOCAL AND NATIONAL CODES. ALL DRAWINGS ARE SUBJECT TO CHANGE WITHOUT NOTICE.

**43A**



**2** CUTTING DIAGRAM (TOP VIEW FULL BLOCK)  
 44 SCALE: 1 1/2" = 1'-0"




**1** TOP VIEW  
 44 SCALE: 1 1/2" = 1'-0"

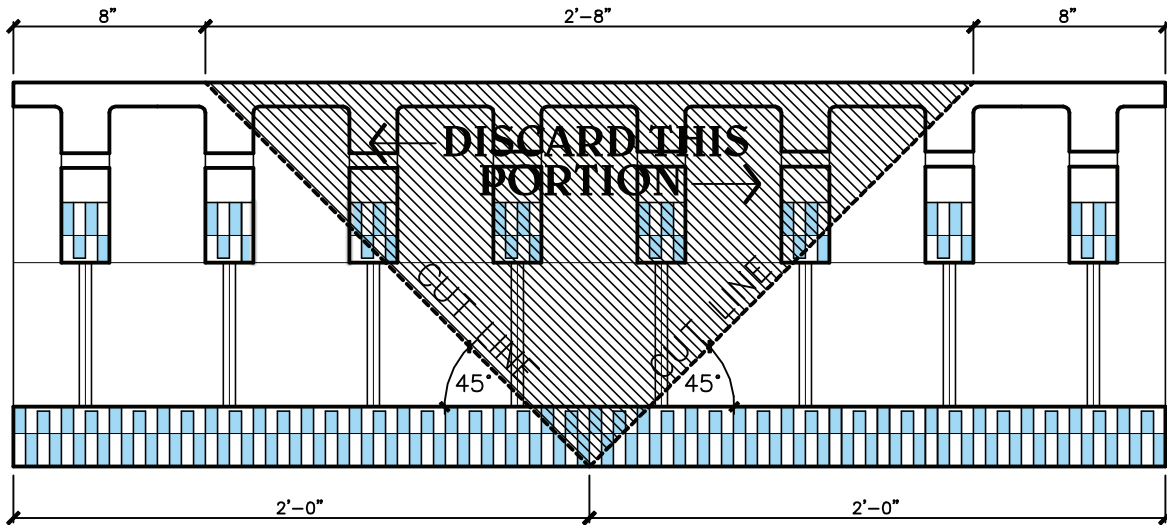
CUTTING NOTES:

BY FOLLOWING THE PRESCRIBED CUT DIMENSIONS EACH LEDGE BLOCK WILL YIELD (1) 90° CORNER ASSEMBLY WITH MINIMAL WASTE.

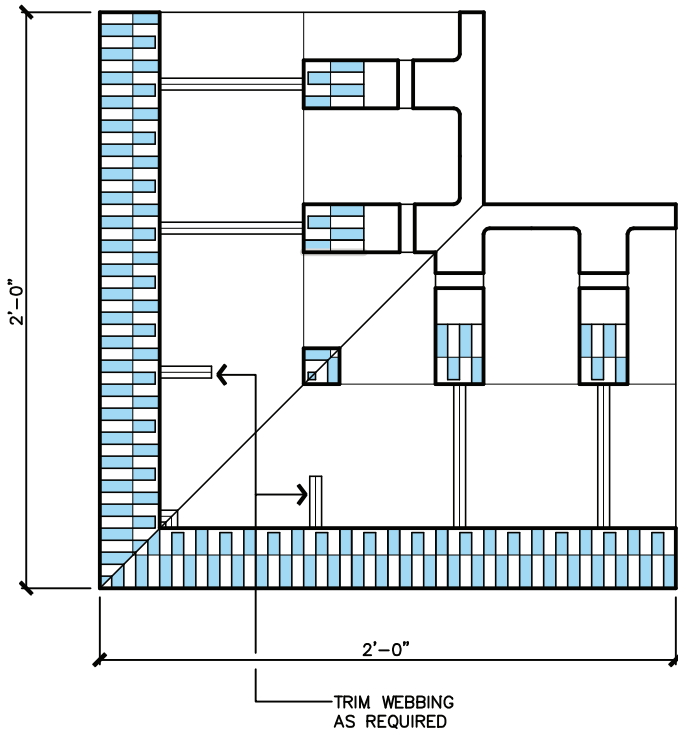
NOTE:

DUE TO VARIATIONS IN SELECTED PRINTER SETTINGS, NOTED SCALES MAY NO LONGER BE APPLICABLE

 <p>9705 N. BROADWAY EXTENSION, SUITE 200, OKLAHOMA CITY, OK 73114                  OFFICE: 405-840-3386   TOLL FREE: 866-222-2575   FAX: 831-597-0792                  BUILDBLOCK.COM</p>	<b>LEDGEBLOCK INSIDE 90° MITER NO. 2</b>			DATE/REV 12-01-04 /1	SCALE NTS	DETAIL SHEET
	NOTES			<span style="font-size: 48pt; font-weight: bold;">44</span>		
	CONSTRUCTION SHALL BE IN ACCORDANCE WITH ALL APPLICABLE LOCAL AND NATIONAL CODES. ALL DRAWINGS ARE SUBJECT TO CHANGE WITHOUT NOTICE.					



2 CUTTING DIAGRAM (TOP VIEW FULL BLOCK)  
 44a SCALE: 1 1/2" = 1'-0"



1 TOP VIEW  
 44a SCALE: 1 1/2" = 1'-0"

CUTTING NOTES:

BY FOLLOWING THE PRESCRIBED CUT DIMENSIONS EACH LEDGE BLOCK WILL YIELD (1) 90° CORNER ASSEMBLY WITH MINIMAL WASTE.

NOTE:

DUE TO VARIATIONS IN SELECTED PRINTER SETTINGS, NOTED SCALES MAY NO LONGER BE APPLICABLE



9705 N. BROADWAY EXTENSION, SUITE 200, OKLAHOMA CITY, OK 73114  
 OFFICE: 405-840-3386 | TOLL FREE: 866-222-2575 | FAX: 831-597-0792  
 BUILDBLOCK.COM

6" LEDGEBLOCK INSIDE 90° MITER NO. 2

DATE/REV 02-09-06

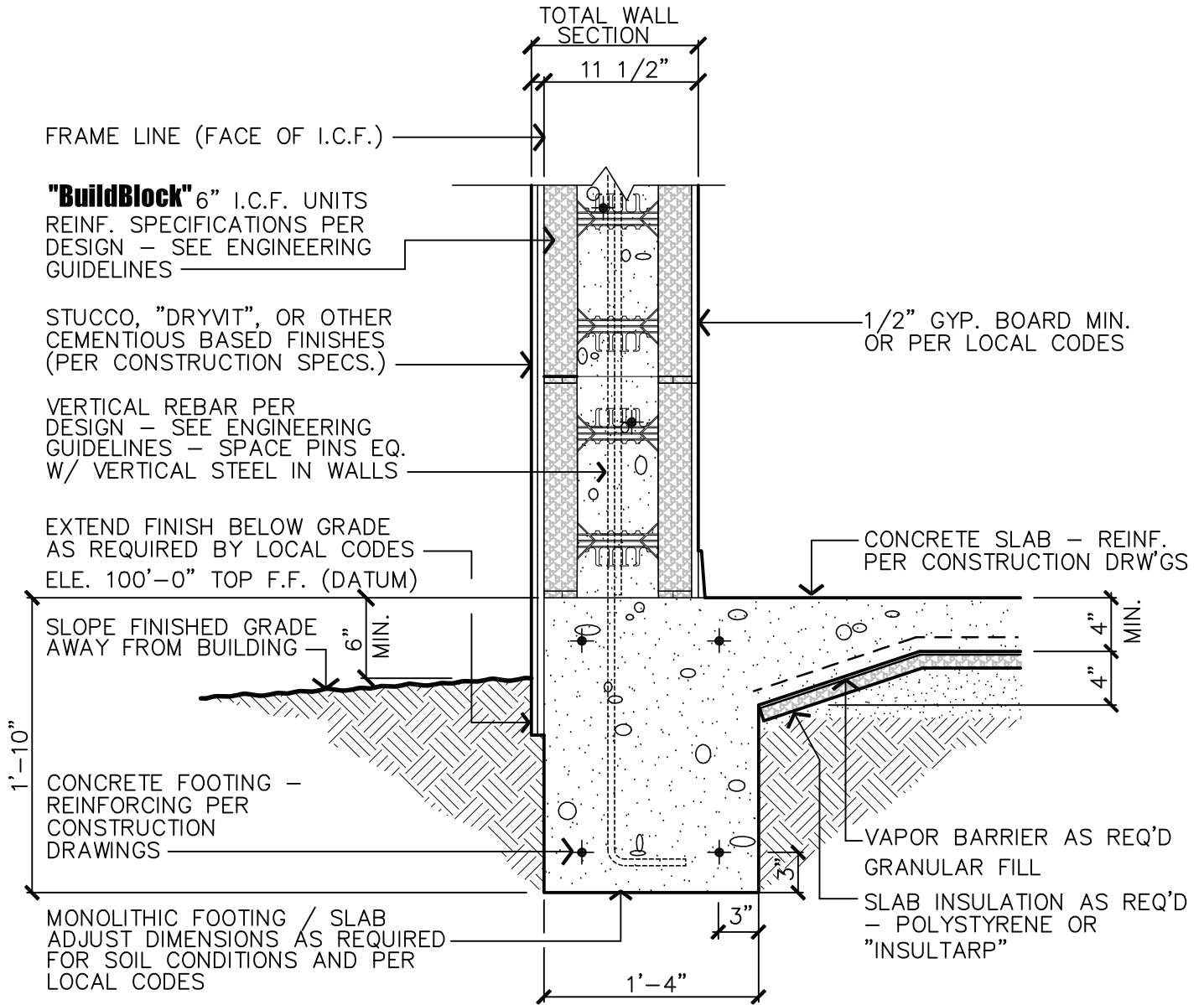
SCALE NTS

DETAIL SHEET

NOTES

CONSTRUCTION SHALL BE IN ACCORDANCE WITH ALL APPLICABLE LOCAL AND NATIONAL CODES. ALL DRAWINGS ARE SUBJECT TO CHANGE WITHOUT NOTICE.

44A



FOR ADDITIONAL INFORMATION ABOUT "INSULTARP" CONTACT THEM AT (866) 698-6562 OR ONLINE AT: [WWW.INSULATION SOLUTIONS.COM](http://WWW.INSULATION SOLUTIONS.COM)


**NOTE:**

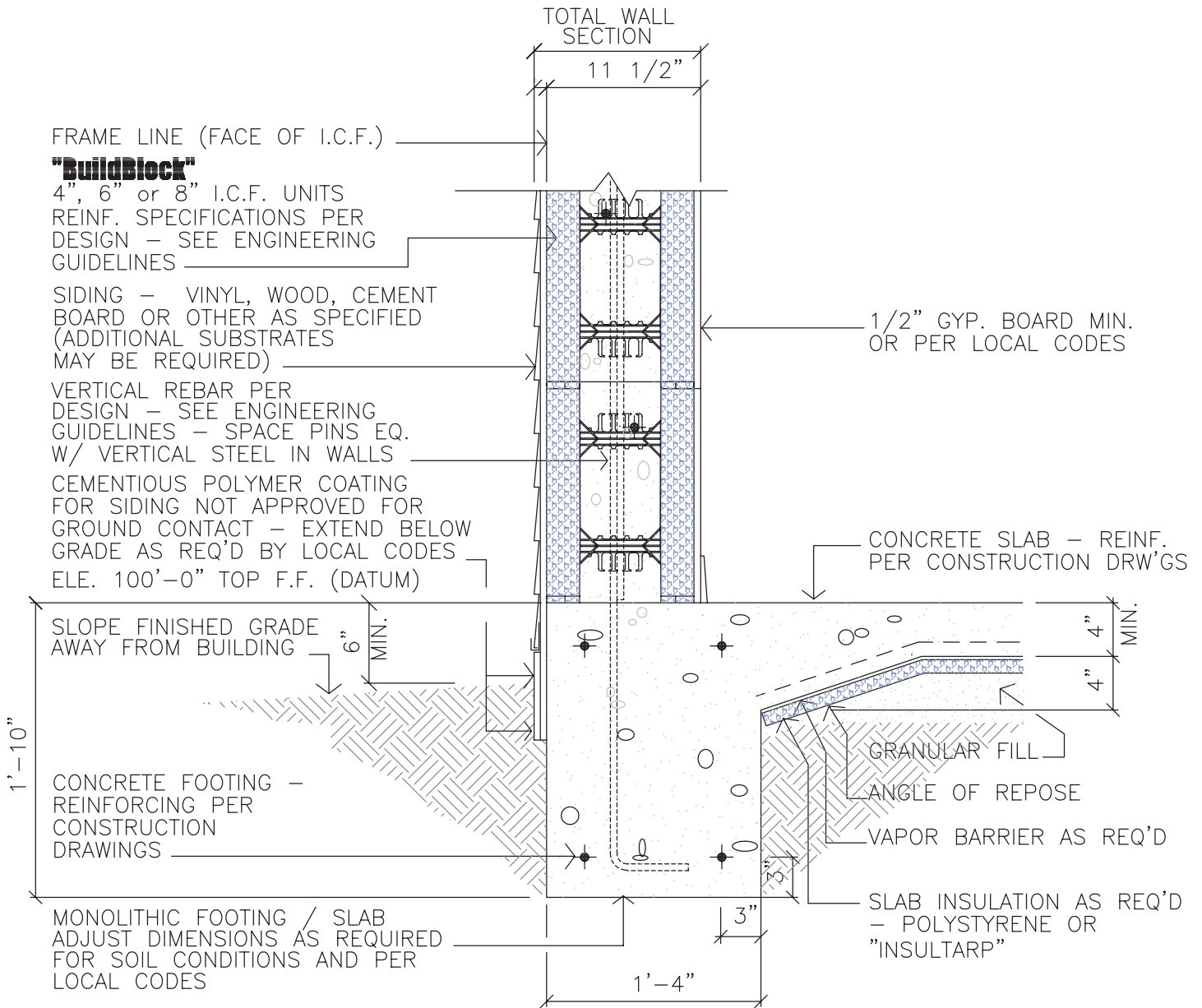
DUE TO VARIATIONS IN SELECTED PRINTER SETTINGS, NOTED SCALES MAY NO LONGER BE APPLICABLE



**TYPICAL FOUNDATION DETAIL**

SCALE: 1" = 1'-0"

 <p>9705 N. BROADWAY EXTENSION, SUITE 200, OKLAHOMA CITY, OK 73114                  OFFICE: 405-840-3386   TOLL FREE: 866-222-2575   FAX: 831-597-0792                  BUILDBLOCK.COM</p>	<p><b>MONOLITHIC FOOTING / SLAB WITH STUCCO/EIFS</b></p>			
	DATE/REV	07-21-05 / 1	SCALE NTS	DETAIL SHEET
	NOTES			45
<p>CONSTRUCTION SHALL BE IN ACCORDANCE WITH ALL APPLICABLE LOCAL AND NATIONAL CODES. ALL DRAWINGS ARE SUBJECT TO CHANGE WITHOUT NOTICE.</p>				



FOR ADDITIONAL INFORMATION ABOUT "INSULTARP" CONTACT THEM AT (866) 698-6562 OR ONLINE AT: [WWW.INSULATION SOLUTIONS.COM](http://WWW.INSULATION SOLUTIONS.COM)

**NOTE:**

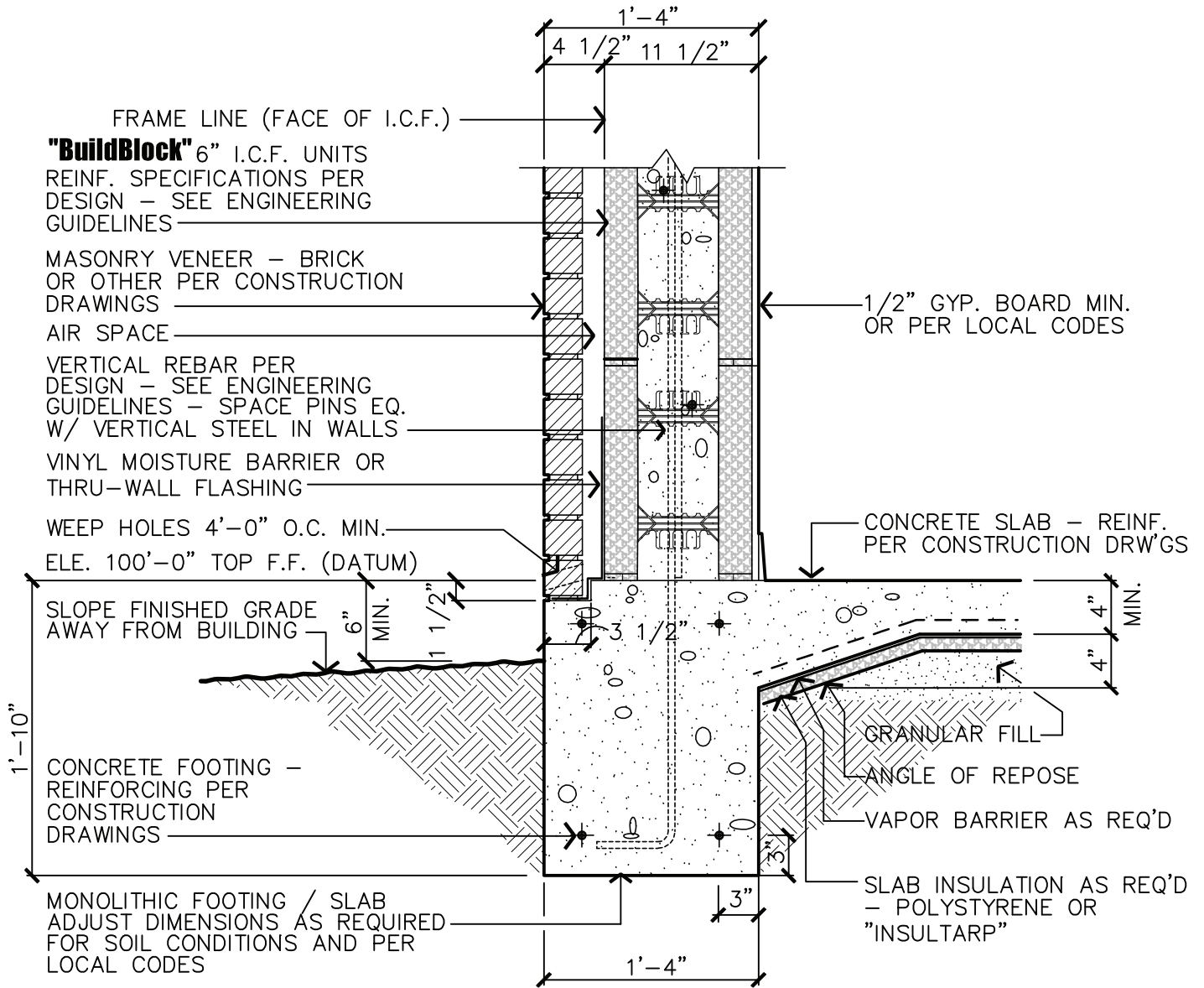
DUE TO VARIATIONS IN SELECTED PRINTER SETTINGS, NOTED SCALES MAY NO LONGER BE APPLICABLE



**TYPICAL FOUNDATION DETAIL**

SCALE: 1" = 1'-0"

	<b>MONOLITHIC FOOTING / SLAB SIDING</b>		
	DATE/REV 11-17-09	SCALE NTS	DETAIL SHEET
	NOTES		<h1>45A</h1>
9705 N. BROADWAY EXTENSION, SUITE 200, OKLAHOMA CITY, OK 73114 OFFICE: 405-840-3386   TOLL FREE: 866-222-2575   FAX: 831-597-0792 BUILDBLOCK.COM		CONSTRUCTION SHALL BE IN ACCORDANCE WITH ALL APPLICABLE LOCAL AND NATIONAL CODES. ALL DRAWINGS ARE SUBJECT TO CHANGE WITHOUT NOTICE.	



FOR ADDITIONAL INFORMATION ABOUT "INSULTARP" CONTACT THEM AT (866) 698-6562 OR ONLINE AT: [WWW.INSULATION SOLUTIONS.COM](http://WWW.INSULATION SOLUTIONS.COM)

**NOTE:**

DUE TO VARIATIONS IN SELECTED PRINTER SETTINGS, NOTED SCALES MAY NO LONGER BE APPLICABLE

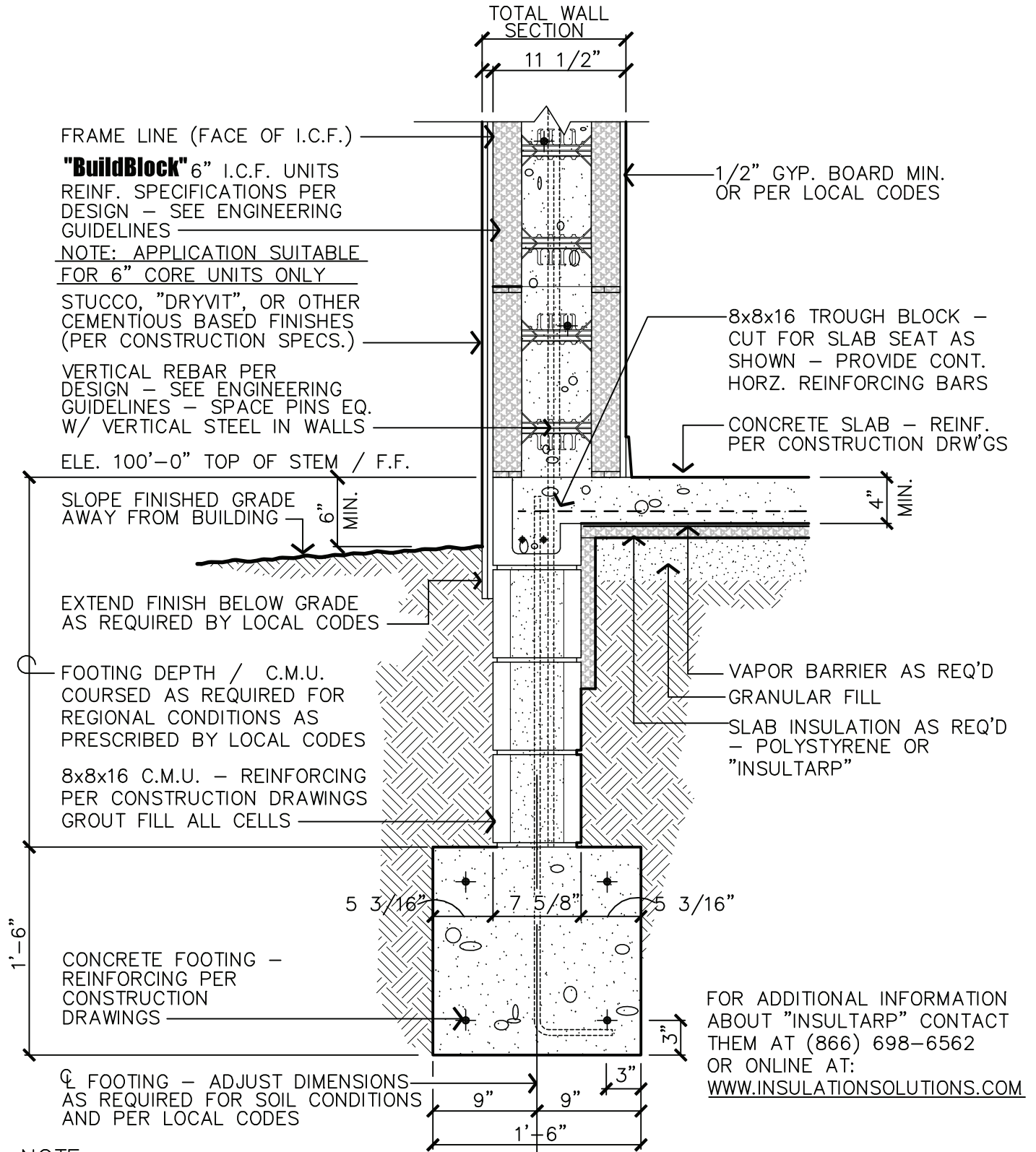


**TYPICAL FOUNDATION DETAIL**

SCALE: 1" = 1'-0"

<p>9705 N. BROADWAY EXTENSION, SUITE 200, OKLAHOMA CITY, OK 73114                  OFFICE: 405-840-3386   TOLL FREE: 866-222-2575   FAX: 831-597-0792                  BUILDBLOCK.COM</p>	<b>MONOLITHIC FOOTING / SLAB BRICK/MASONRY</b>			DATE/REV 07-21-05 /1	SCALE NTS	DETAIL SHEET
	NOTES					
	CONSTRUCTION SHALL BE IN ACCORDANCE WITH ALL APPLICABLE LOCAL AND NATIONAL CODES. ALL DRAWINGS ARE SUBJECT TO CHANGE WITHOUT NOTICE.					





**NOTE:**

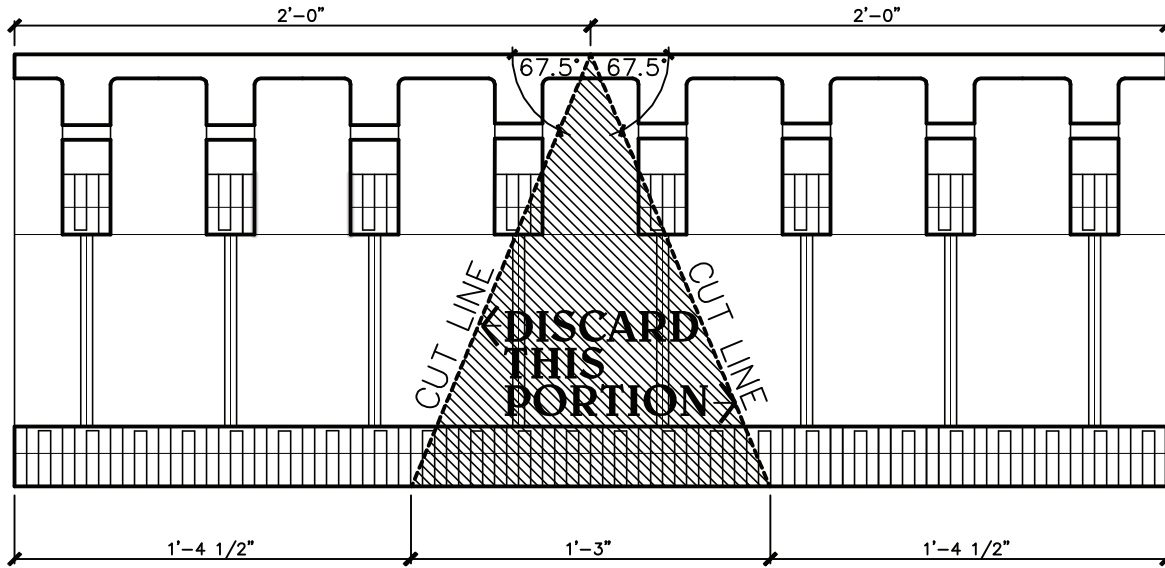
DUE TO VARIATIONS IN SELECTED PRINTER SETTINGS, NOTED SCALES MAY NO LONGER BE APPLICABLE



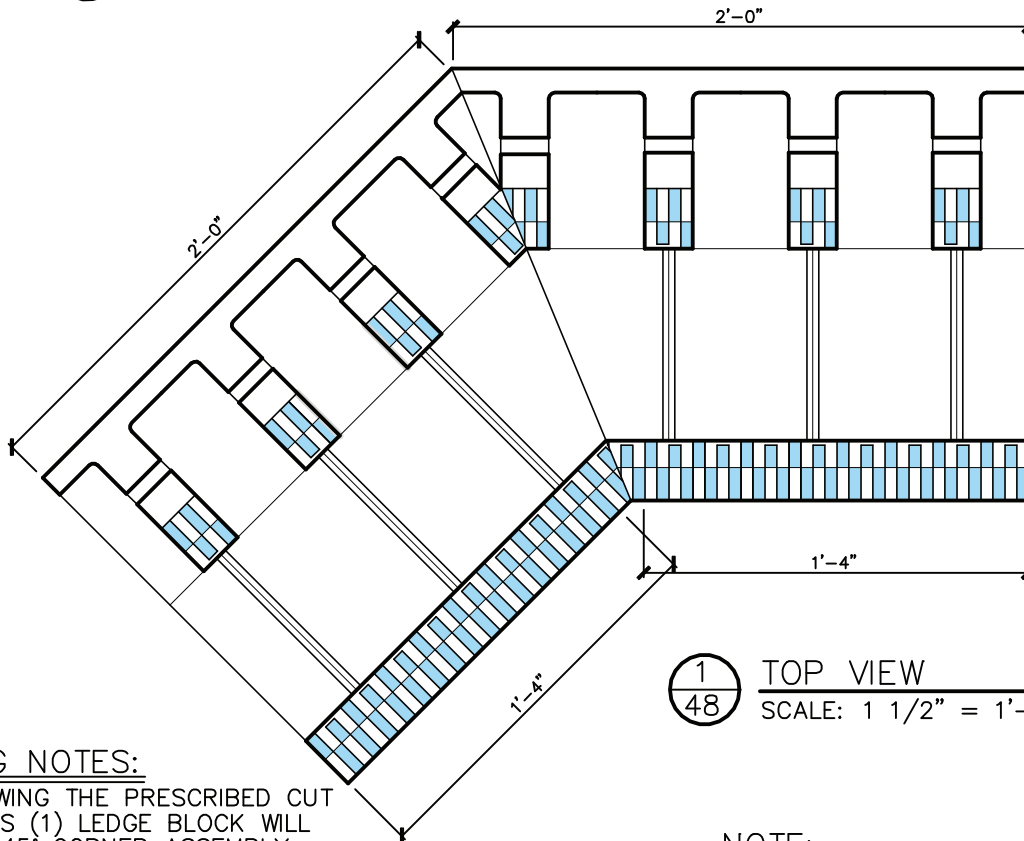
**TYPICAL FOUNDATION DETAIL**

SCALE: 1" = 1'-0"

	<b>CONCRETE MASONRY UNIT (CMU) STEMWALL</b>			
	DATE/REV	07-21-05 / 1	SCALE NTS	DETAIL SHEET
	NOTES			<b>47</b>
9705 N. BROADWAY EXTENSION, SUITE 200, OKLAHOMA CITY, OK 73114 OFFICE: 405-840-3386   TOLL FREE: 866-222-2575   FAX: 831-597-0792 BUILDBLOCK.COM		CONSTRUCTION SHALL BE IN ACCORDANCE WITH ALL APPLICABLE LOCAL AND NATIONAL CODES. ALL DRAWINGS ARE SUBJECT TO CHANGE WITHOUT NOTICE.		



**2**  
48 CUTTING DIAGRAM (TOP VIEW FULL BLOCK)  
 SCALE: 1 1/2" = 1'-0"



**1**  
48 TOP VIEW  
 SCALE: 1 1/2" = 1'-0"

**CUTTING NOTES:**

BY FOLLOWING THE PRESCRIBED CUT DIMENSIONS (1) LEDGE BLOCK WILL YIELD (1) 45° CORNER ASSEMBLY WITH MINIMAL WASTE.

**NOTE:**

DUE TO VARIATIONS IN SELECTED PRINTER SETTINGS, NOTED SCALES MAY NO LONGER BE APPLICABLE



9705 N. BROADWAY EXTENSION, SUITE 200, OKLAHOMA CITY, OK 73114  
 OFFICE: 405-840-3386 | TOLL FREE: 866-222-2575 | FAX: 831-597-0792  
 BUILDBLOCK.COM

**8" LEDGEBLOCK 45° OUTSIDE MITER**

DATE/REV 05-04-06

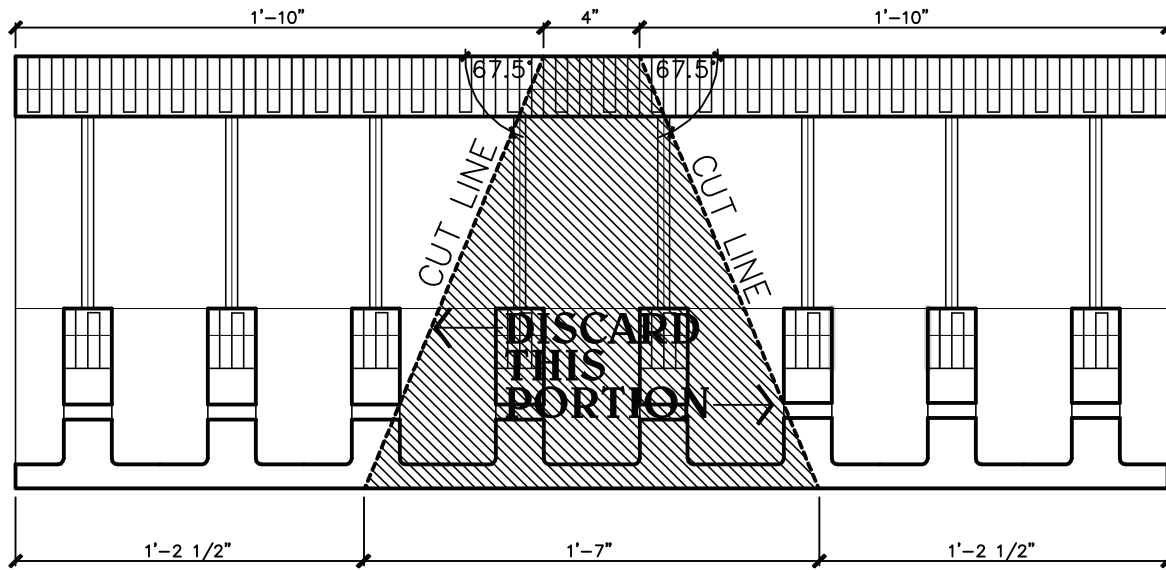
SCALE NTS

DETAIL SHEET

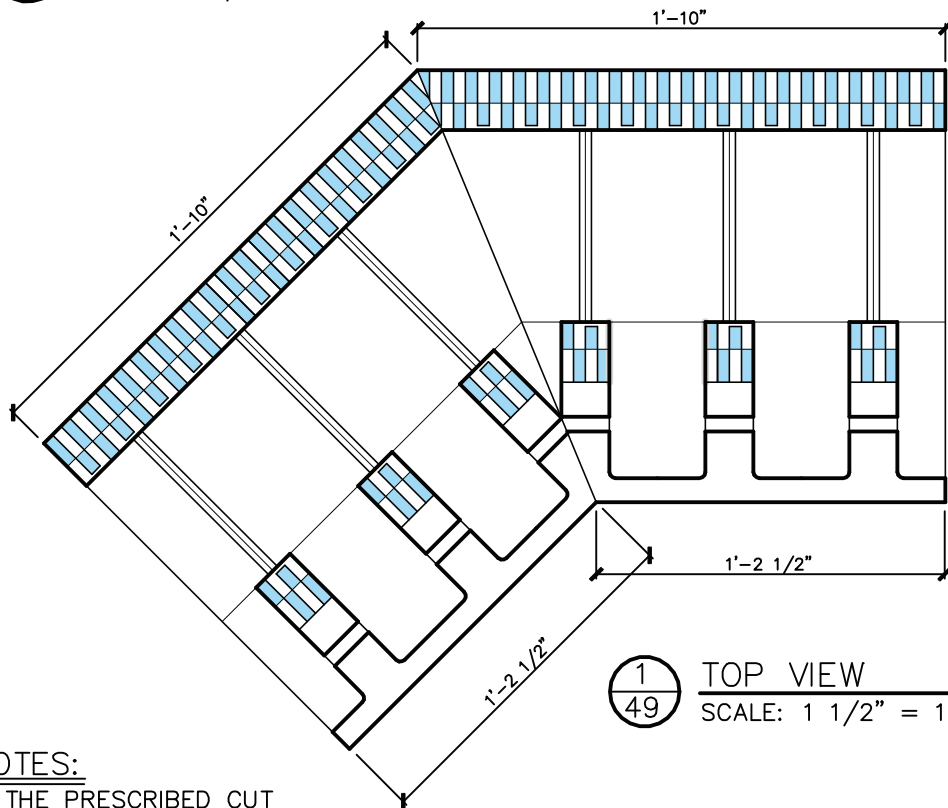
NOTES

CONSTRUCTION SHALL BE IN ACCORDANCE WITH ALL APPLICABLE LOCAL AND NATIONAL CODES. ALL DRAWINGS ARE SUBJECT TO CHANGE WITHOUT NOTICE.

**48**



2  
49 CUTTING DIAGRAM (TOP VIEW FULL BLOCK)  
 SCALE: 1 1/2" = 1'-0"




1  
49 TOP VIEW  
 SCALE: 1 1/2" = 1'-0"

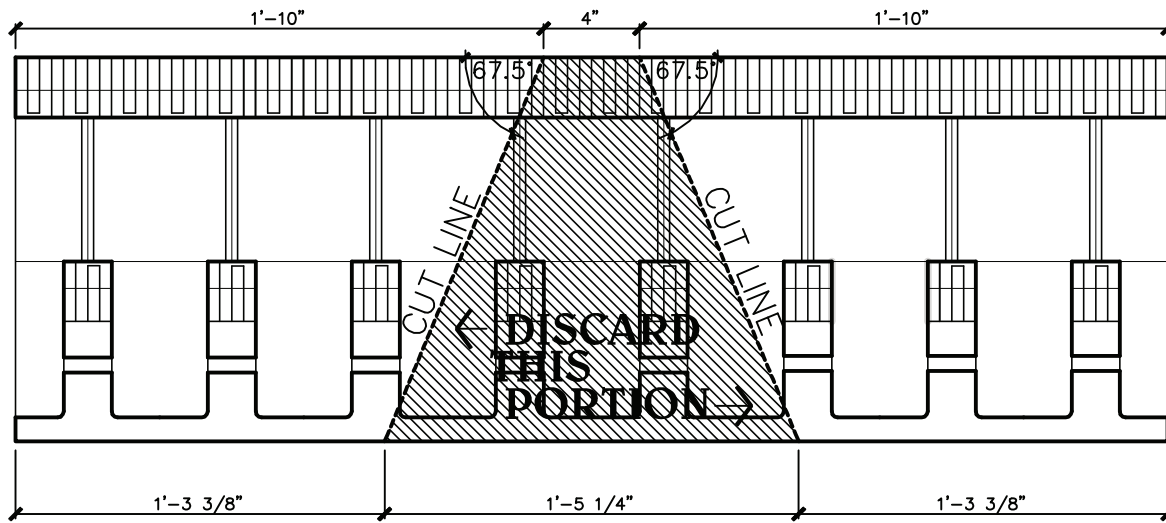
**CUTTING NOTES:**

BY FOLLOWING THE PRESCRIBED CUT DIMENSIONS (1) LEDGE BLOCK WILL YIELD (1) 45° CORNER ASSEMBLY WITH MINIMAL WASTE.

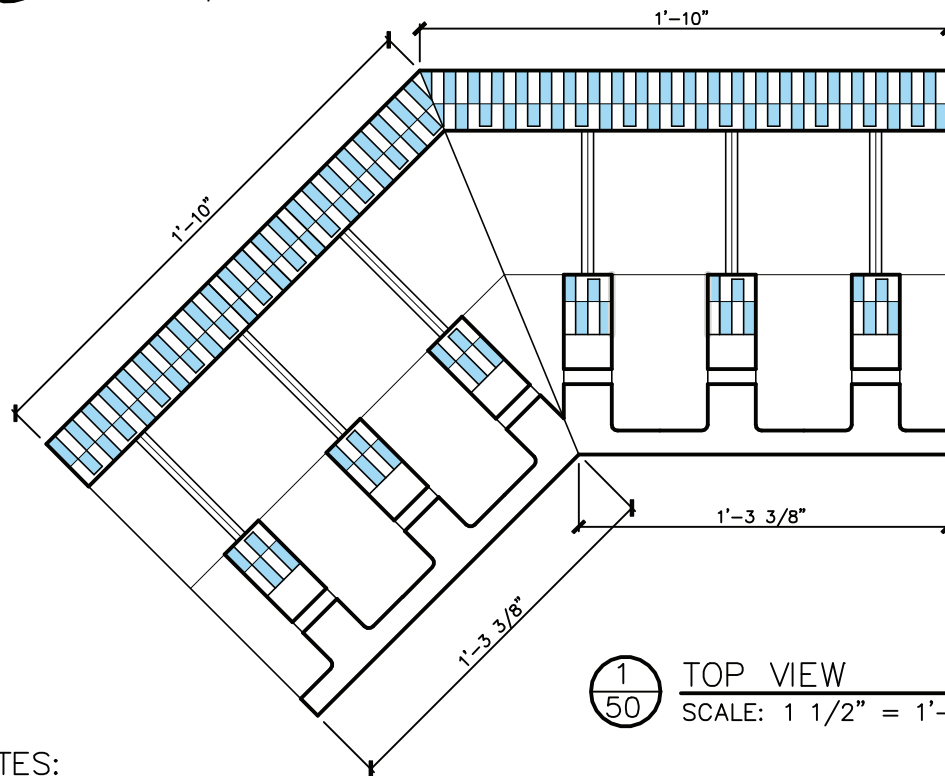
**NOTE:**

DUE TO VARIATIONS IN SELECTED PRINTER SETTINGS, NOTED SCALES MAY NO LONGER BE APPLICABLE

	<b>8" LEDGEBLOCK 45° INSIDE MITER</b>			DETAIL SHEET  <h1 style="text-align: center;">49</h1>	
	DATE/REV	05-04-06	SCALE		NTS
	NOTES				
9705 N. BROADWAY EXTENSION, SUITE 200, OKLAHOMA CITY, OK 73114 OFFICE: 405-840-3386   TOLL FREE: 866-222-2575   FAX: 831-597-0792 BUILDBLOCK.COM		CONSTRUCTION SHALL BE IN ACCORDANCE WITH ALL APPLICABLE LOCAL AND NATIONAL CODES. ALL DRAWINGS ARE SUBJECT TO CHANGE WITHOUT NOTICE.			



**2**  
**50** CUTTING DIAGRAM (TOP VIEW FULL BLOCK)  
 SCALE: 1 1/2" = 1'-0"




**1**  
**50** TOP VIEW  
 SCALE: 1 1/2" = 1'-0"

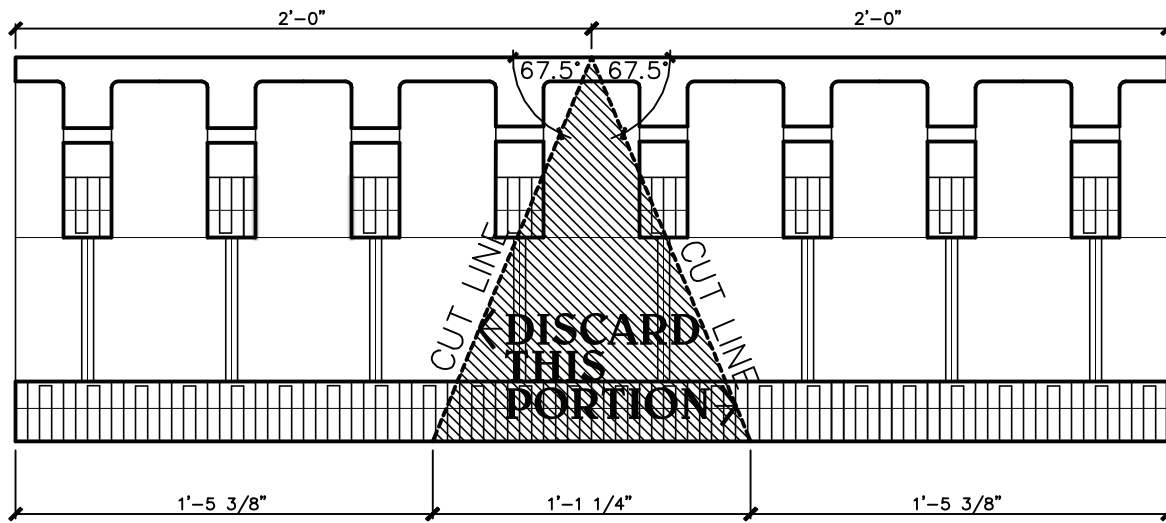
**CUTTING NOTES:**

BY FOLLOWING THE PRESCRIBED CUT DIMENSIONS (1) LEDGE BLOCK WILL YIELD (1) 45° CORNER ASSEMBLY WITH MINIMAL WASTE.

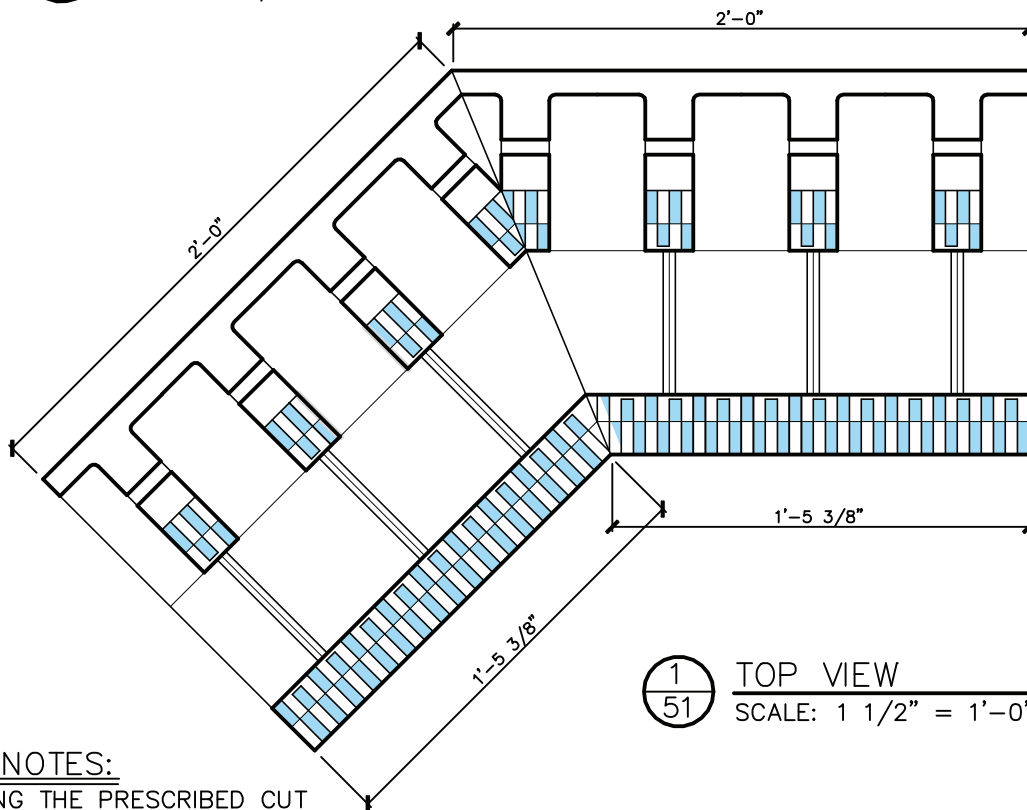
**NOTE:**

DUE TO VARIATIONS IN SELECTED PRINTER SETTINGS, NOTED SCALES MAY NO LONGER BE APPLICABLE

	<b>6" LEDGEBLOCK 45° INSIDE MITER</b>			DETAIL SHEET  <h1 style="text-align: center;">50</h1>	
	DATE/REV	05-04-06	SCALE NTS		
	NOTES				
9705 N. BROADWAY EXTENSION, SUITE 200, OKLAHOMA CITY, OK 73114 OFFICE: 405-840-3386   TOLL FREE: 866-222-2575   FAX: 831-597-0792 BUILDBLOCK.COM		CONSTRUCTION SHALL BE IN ACCORDANCE WITH ALL APPLICABLE LOCAL AND NATIONAL CODES. ALL DRAWINGS ARE SUBJECT TO CHANGE WITHOUT NOTICE.			



2  
51 CUTTING DIAGRAM (TOP VIEW FULL BLOCK)  
 SCALE: 1 1/2" = 1'-0"




1  
51 TOP VIEW  
 SCALE: 1 1/2" = 1'-0"

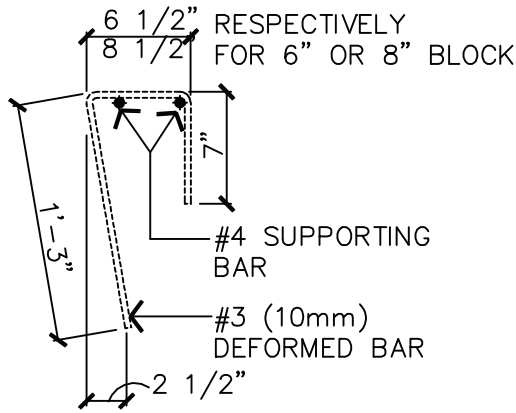
**CUTTING NOTES:**

BY FOLLOWING THE PRESCRIBED CUT DIMENSIONS (1) LEDGE BLOCK WILL YIELD (1) 45° CORNER ASSEMBLY WITH MINIMAL WASTE.

**NOTE:**

DUE TO VARIATIONS IN SELECTED PRINTER SETTINGS, NOTED SCALES MAY NO LONGER BE APPLICABLE

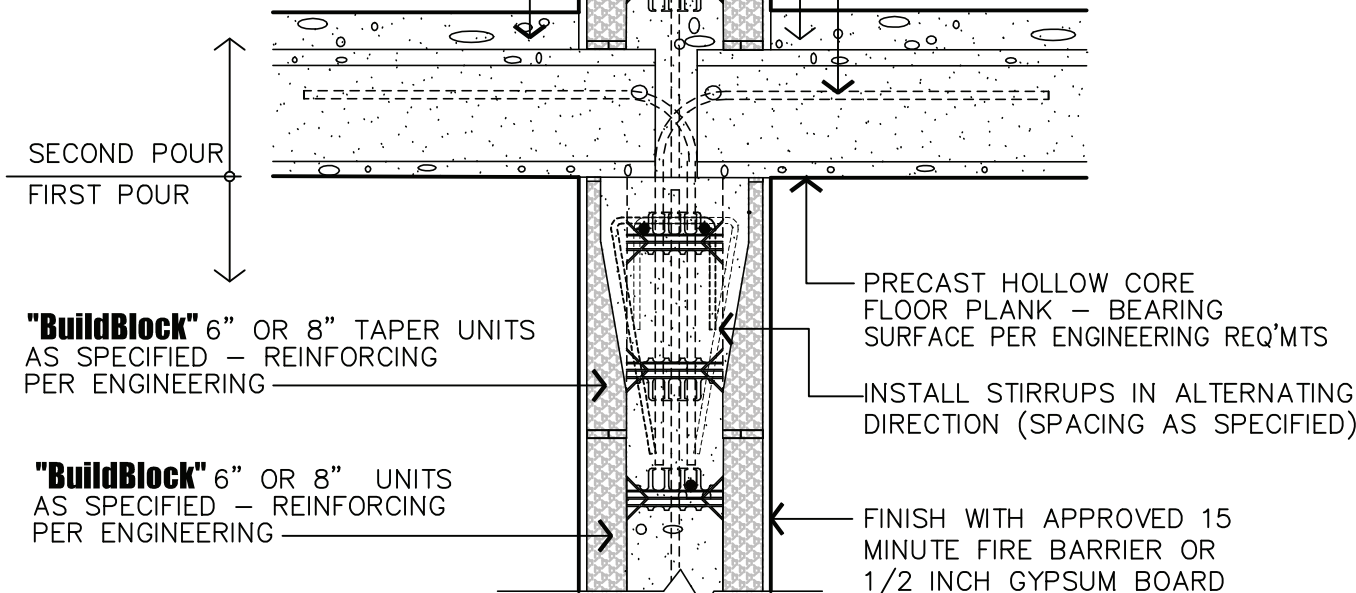
	<b>6" LEDGEBLOCK 45° OUTSIDE MITER</b>			DETAIL SHEET  <h1>51</h1>	
	DATE/REV	05-04-06	SCALE NTS		
	NOTES				
9705 N. BROADWAY EXTENSION, SUITE 200, OKLAHOMA CITY, OK 73114 OFFICE: 405-840-3386   TOLL FREE: 866-222-2575   FAX: 831-597-0792 BUILDBLOCK.COM	CONSTRUCTION SHALL BE IN ACCORDANCE WITH ALL APPLICABLE LOCAL AND NATIONAL CODES. ALL DRAWINGS ARE SUBJECT TO CHANGE WITHOUT NOTICE.				



**2** STIRRUP DETAIL  
**52** SCALE: 1" = 1'-0"

MINIMUM SPACING:

1. VENEER – 1000 lb/ft (15kN/m @ 18" (450mm)
2. VENEER – 1500 lb/ft (22kN/m @ 12" (300mm)




NOTES:

1. VARIATIONS IN IMPOSED LIVE & DEAD LOADS AND OTHER APPLICATION SPECIFIC VARIABLES REQUIRE ALL ASPECTS OF THE DETAILS SHOWN HERE TO BE DESIGNED AND /OR APPROVED BY A QUALIFIED ENGINEER
2. ALL CONSTRUCTION SHALL BE IN ACCORDANCE W/ THE SPECIFICATION OF AND THE RESPONSIBILITY OF A QUALIFIED STRUCTURAL ENGINEER.

**1** SECTION DETAIL  
**52** SCALE: 1" = 1'-0"

NOTE:

DUE TO VARIATIONS IN SELECTED PRINTER SETTINGS, NOTED SCALES MAY NO LONGER BE APPLICABLE

	<b>TAPER UNIT &amp; CORE SLAB</b>				
	DATE/REV	09-30-07 /2	SCALE	NTS	DETAIL SHEET
	NOTES				<b>52</b>
9705 N. BROADWAY EXTENSION, SUITE 200, OKLAHOMA CITY, OK 73114 OFFICE: 405-840-3386   TOLL FREE: 866-222-2575   FAX: 831-597-0792 BUILDBLOCK.COM		CONSTRUCTION SHALL BE IN ACCORDANCE WITH ALL APPLICABLE LOCAL AND NATIONAL CODES. ALL DRAWINGS ARE SUBJECT TO CHANGE WITHOUT NOTICE.			

GRADE LEVEL  
 (1ST FLOOR OR  
 ADDITIONAL STORIES)

CAST EMBEDDED STEEL ANCHOR BOLTS – APPLIES TO 6” OR 8” WALLS – SIZE & FREQUENCY PER ENGINEERING SPECIFICATIONS OR SIM. TO PRESCRIPTIVE METHOD FIGURE 6.1 & 6.5 CONTAINED IN THE H.U.D. P.A.T.H. DOCUMENTATION. A LINK IS PROVIDED IN THE TECHNICAL SECTION OF OUR WEBSITE UNDER CODE COMPLIANCE

**"BuildBlock"**  
 4" I.C.F. UNITS  
 1ST FIN. FLR. ELEV. 100'-0" (DATUM)  
 (VERIFY CODE APPROVED GRADE CLEARANCE FOR PROJECT LOCATION)  
 6" MIN.

FLOOR SYSTEM PER CONSTRUCTION DRAWINGS

**"BuildBlock"**  
 6" TAPER TOP I.C.F. UNITS  
 APPROVED MEMBRANE WATER PROOFING

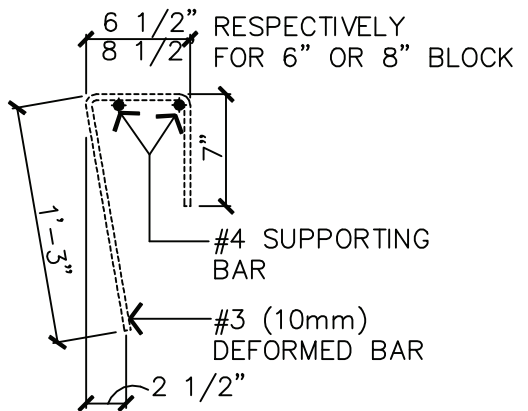
APPROVED JOIST HANGER  
 15 MIN THERMAL BARRIER OR 1/2" GYPSUM BOARD

**"BuildBlock"**  
 6" I.C.F. UNITS

BASEMENT

**NOTES:**

- VARIATIONS IN IMPOSED LIVE & DEAD LOADS AND OTHER APPLICATION SPECIFIC VARIABLES REQUIRE ALL ASPECTS OF THE DETAILS SHOWN HERE TO BE DESIGNED AND /OR APPROVED BY A QUALIFIED ENGINEER
- ALL CONSTRUCTION SHALL BE IN ACCORDANCE W/ THE SPECIFICATION OF AND THE RESPONSIBILITY OF A QUALIFIED STRUCTURAL ENGINEER.



1 SECTION DETAIL  
 SCALE: 1" = 1'-0"

2 STIRRUP DETAIL  
 SCALE: 1" = 1'-0"

**NOTE:**  
 DUE TO VARIATIONS IN SELECTED PRINTER SETTINGS, NOTED SCALES MAY NO LONGER BE APPLICABLE

**MINIMUM SPACING:**

- VENEER – 1000 lb/ft (15kN/m @ 18" (450mm)
- VENEER – 1500 lb/ft (22kN/m @ 12" (300mm)

	<b>TAPER UNIT &amp; LEDGE CONNECTION 1</b>		
	DATE/REV 09-30-07 /2	SCALE NTS	DETAIL SHEET
NOTES	CONSTRUCTION SHALL BE IN ACCORDANCE WITH ALL APPLICABLE LOCAL AND NATIONAL CODES. ALL DRAWINGS ARE SUBJECT TO CHANGE WITHOUT NOTICE.		<b>53</b>
9705 N. BROADWAY EXTENSION, SUITE 200, OKLAHOMA CITY, OK 73114 OFFICE: 405-840-3386   TOLL FREE: 866-222-2575   FAX: 831-597-0792 BUILDBLOCK.COM			

GRADE LEVEL  
 (1ST FLOOR OR  
 ADDITIONAL STORIES)

CAST EMBEDDED STEEL ANCHOR BOLTS – APPLIES TO 6” OR 8” WALLS – SIZE & FREQUENCY PER ENGINEERING SPECIFICATIONS OR SIM. TO PRESCRIPTIVE METHOD FIGURE 6.1 & 6.5 CONTAINED IN THE H.U.D. P.A.T.H. DOCUMENTATION. A LINK IS PROVIDED IN THE TECHNICAL SECTION OF OUR WEBSITE UNDER CODE COMPLIANCE

**"BuildBlock"**

4" I.C.F. UNITS

1ST FIN. FLR. ELEV. 100'-0" (DATUM)  
 (VERIFY CODE APPROVED GRADE CLEARANCE FOR PROJECT LOCATION)  
 6" MIN.

DOWELS SUPPORTING UPPER VERTICAL REINFORCEMENT (40 BAR DIA. OVERLAP REQUIRED – 50% ATTACHMENT TO UPPER & LOWER REBAR)

**"BuildBlock"**

8" TAPER TOP I.C.F. UNITS

APPROVED MEMBRANE WATER PROOFING

**"BuildBlock"**

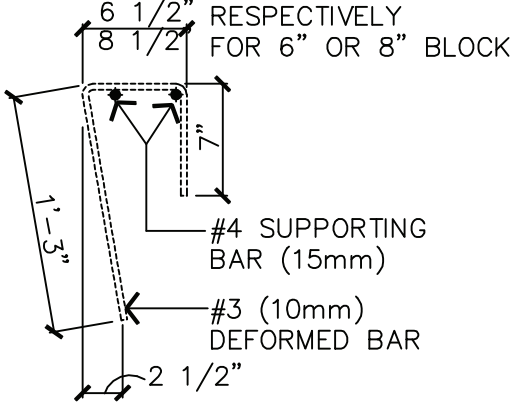
8" I.C.F. UNITS

FLOOR SYSTEM PER CONSTRUCTION DRAWINGS

APPROVED JOIST HANGER

15 MIN THERMAL BARRIER OR 1/2" GYPSUM BOARD

BASEMENT



2 STIRRUP DETAIL  
 54 SCALE: 1" = 1'-0"

NOTES:


- VARIATIONS IN IMPOSED LIVE & DEAD LOADS AND OTHER APPLICATION SPECIFIC VARIABLES REQUIRE ALL ASPECTS OF THE DETAILS SHOWN HERE TO BE DESIGNED AND /OR APPROVED BY A QUALIFIED ENGINEER
- ALL CONSTRUCTION SHALL BE IN ACCORDANCE W/ THE SPECIFICATION OF AND THE RESPONSIBILITY OF A QUALIFIED STRUCTURAL ENGINEER.

1 CROSS SECTION DETAIL  
 54 SCALE: 1" = 1'-0"

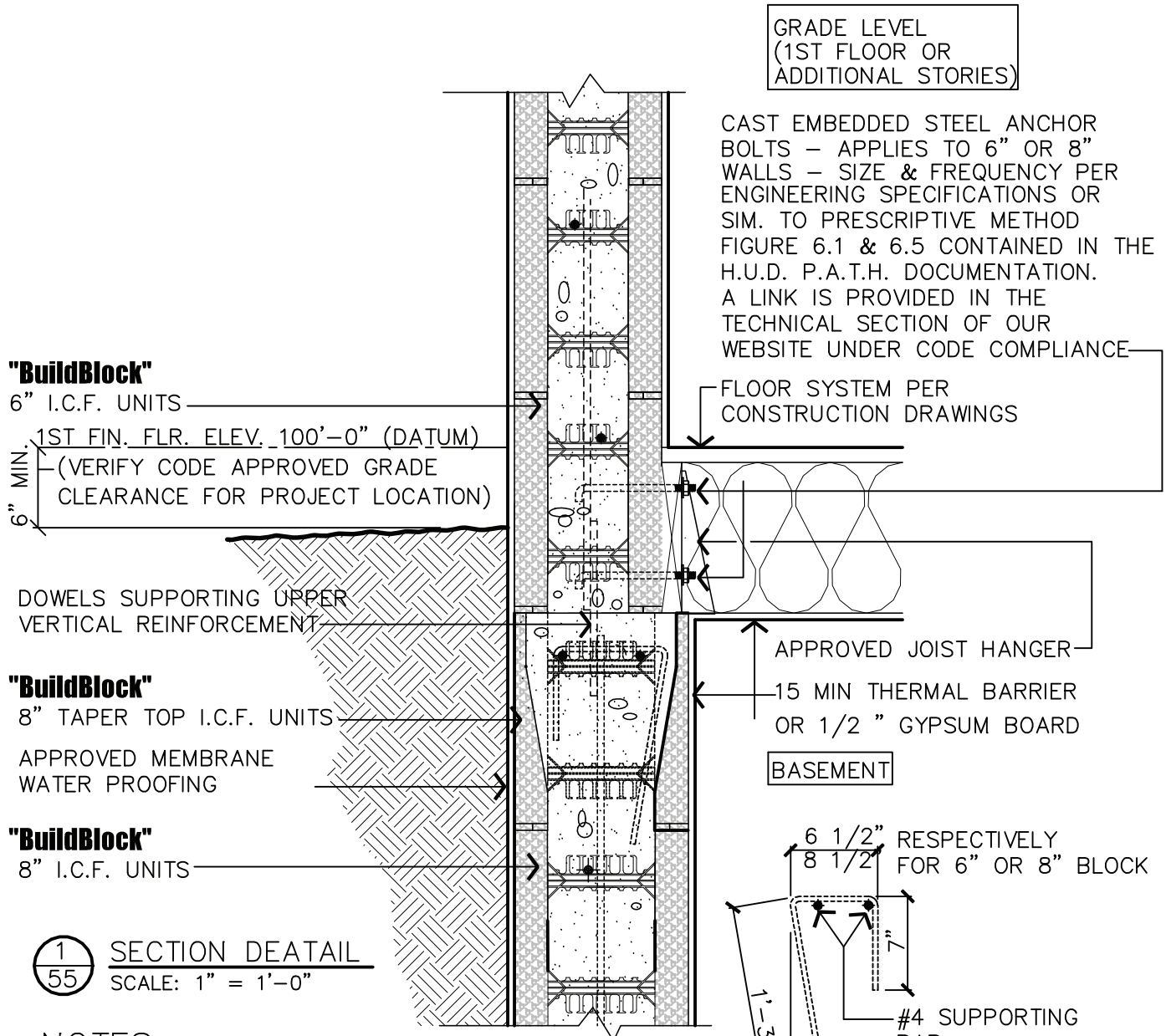
NOTE:

DUE TO VARIATIONS IN SELECTED PRINTER SETTINGS, NOTED SCALES MAY NO LONGER BE APPLICABLE

- STIRRUP SPACING:
- VENEER – 1000 lb/ft (15kN/m @ 18" (450mm)
  - VENEER – 1500 lb/ft (22kN/m @ 12" (300mm)

	<b>TAPER UNIT &amp; LEDGE CONNECTION 2</b>				
	DATE/REV	10-05-07 /2	SCALE	NTS	DETAIL SHEET
	NOTES				
9705 N. BROADWAY EXTENSION, SUITE 200, OKLAHOMA CITY, OK 73114 OFFICE: 405-840-3386   TOLL FREE: 866-222-2575   FAX: 831-597-0792 BUILDBLOCK.COM		CONSTRUCTION SHALL BE IN ACCORDANCE WITH ALL APPLICABLE LOCAL AND NATIONAL CODES. ALL DRAWINGS ARE SUBJECT TO CHANGE WITHOUT NOTICE.		<h1>54</h1>	





GRADE LEVEL  
 (1ST FLOOR OR  
 ADDITIONAL STORIES)

CAST EMBEDDED STEEL ANCHOR BOLTS – APPLIES TO 6” OR 8” WALLS – SIZE & FREQUENCY PER ENGINEERING SPECIFICATIONS OR SIM. TO PRESCRIPTIVE METHOD FIGURE 6.1 & 6.5 CONTAINED IN THE H.U.D. P.A.T.H. DOCUMENTATION. A LINK IS PROVIDED IN THE TECHNICAL SECTION OF OUR WEBSITE UNDER CODE COMPLIANCE

**"BuildBlock"**

6" I.C.F. UNITS  
 1ST FIN. FLR. ELEV. 100'-0" (DATUM)  
 (VERIFY CODE APPROVED GRADE CLEARANCE FOR PROJECT LOCATION)  
 6" MIN.

FLOOR SYSTEM PER CONSTRUCTION DRAWINGS

DOWELS SUPPORTING UPPER VERTICAL REINFORCEMENT

APPROVED JOIST HANGER

**"BuildBlock"**

8" TAPER TOP I.C.F. UNITS  
 APPROVED MEMBRANE WATER PROOFING

15 MIN THERMAL BARRIER OR 1/2" GYPSUM BOARD

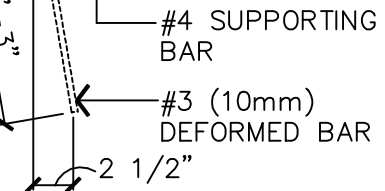
BASEMENT

**"BuildBlock"**

8" I.C.F. UNITS

6 1/2" RESPECTIVELY FOR 6" OR 8" BLOCK  
 8 1/2"

1 SECTION DEATAIL  
 55 SCALE: 1" = 1'-0"



2 STIRRUP DETAIL  
 55 SCALE: 1" = 1'-0"

**NOTES:**

- VARIATIONS IN IMPOSESED LIVE & DEAD LOADS AND OTHER APPLICATION SPECIFIC VARIABLES REQUIRE ALL ASPECTS OF THE DETAILS SHOWN HERE TO BE DESIGNED AND /OR APPROVED BY A QUALIFIED ENGINEER
- ALL CONSTRUCTION SHALL BE IN ACCORDANCE W/ THE SPECIFICATION OF AND THE RESPONSIBILITY OF A QUALIFIED STRUCTRUAL ENGINEER.

**MINIMUM SPACING:**

- VENEER – 1000 lb/ft (15kN/m @ 18" (450mm)
- VENEER – 1500 lb/ft (22kN/m @ 12" (300mm)

**NOTE:**

DUE TO VARIATIONS IN SELECTED PRINTER SETTINGS, NOTED SCALES MAY NO LONGER BE APPLICABLE

	<b>TAPER UNIT &amp; LEDGE CONNECTION 3</b>		
	DATE/REV 09-30-07 /2	SCALE NTS	DETAIL SHEET
NOTES	CONSTRUCTION SHALL BE IN ACCORDANCE WITH ALL APPLICABLE LOCAL AND NATIONAL CODES. ALL DRAWINGS ARE SUBJECT TO CHANGE WITHOUT NOTICE.		
9705 N. BROADWAY EXTENSION, SUITE 200, OKLAHOMA CITY, OK 73114 OFFICE: 405-840-3386   TOLL FREE: 866-222-2575   FAX: 831-597-0792 BUILDBLOCK.COM	<span style="font-size: 48pt; font-weight: bold;">55</span>		

**"BuildBlock"**

6" I.C.F. UNITS

1ST FIN. FLR. ELEV. 100'-0" (DATUM)  
 (VERIFY CODE APPROVED GRADE  
 CLEARANCE FOR PROJECT LOCATION)

6" MIN.

DOWELS SUPPORTING UPPER  
 VERTICAL REINFORCEMENT  
 OVERLAP 40 DIAMETERS

**"BuildBlock"**

8" TAPER TOP I.C.F. UNITS

APPROVED MEMBRANE  
 WATER PROOFING

**"BuildBlock"**

8" I.C.F. UNITS

FLOOR SYSTEM PER  
 CONSTRUCTION DRAWINGS

APPROVED JOIST HANGER

15 MIN THERMAL BARRIER  
 OR 1/2" GYPSUM BOARD

BASEMENT

6 1/2" RESPECTIVELY  
 8 1/2" FOR 6" OR 8" BLOCK

#4 SUPPORTING  
 BAR

#3 (10mm)  
 DEFORMED BAR

1 CROSS SECTION DETAIL  
 55a SCALE: 1" = 1'-0"

NOTES:

- VARIATIONS IN IMPOSED LIVE & DEAD LOADS AND OTHER APPLICATION SPECIFIC VARIABLES REQUIRE ALL ASPECTS OF THE DETAILS SHOWN HERE TO BE DESIGNED AND /OR APPROVED BY A QUALIFIED ENGINEER
- ALL CONSTRUCTION SHALL BE IN ACCORDANCE W/ THE SPECIFICATION OF AND THE RESPONSIBILITY OF A QUALIFIED STRUCTURAL ENGINEER.

2 STIRRUP DETAIL  
 55a SCALE: 1" = 1'-0"

MINIMUM SPACING:

- VENEER - 1000 lb/ft (15kN/m @ 18" (450mm)
- VENEER - 1500 lb/ft (22kN/m @ 12" (300mm)

1  
 20

BASEMENT  
 FOUNDATION

NOTE:

DUE TO VARIATIONS IN SELECTED  
 PRINTER SETTINGS, NOTED SCALES  
 MAY NO LONGER BE APPLICABLE



BASEMENT W/ BUILDBLOCK ABOVE & SIDE BEARING FLOOR W/ TAPERTOP

DATE/REV 11-17-09

SCALE NTS

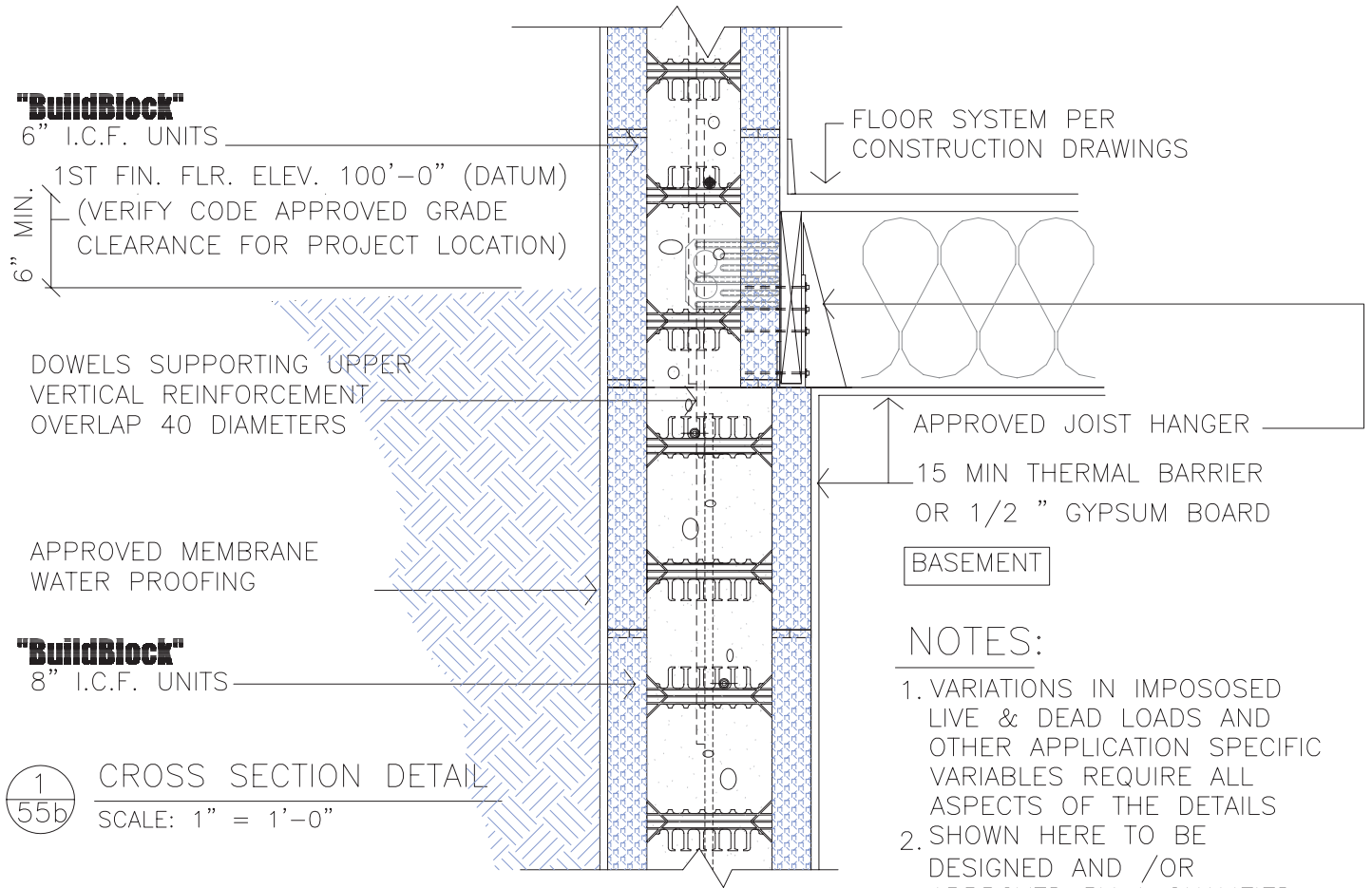
DETAIL SHEET

NOTES

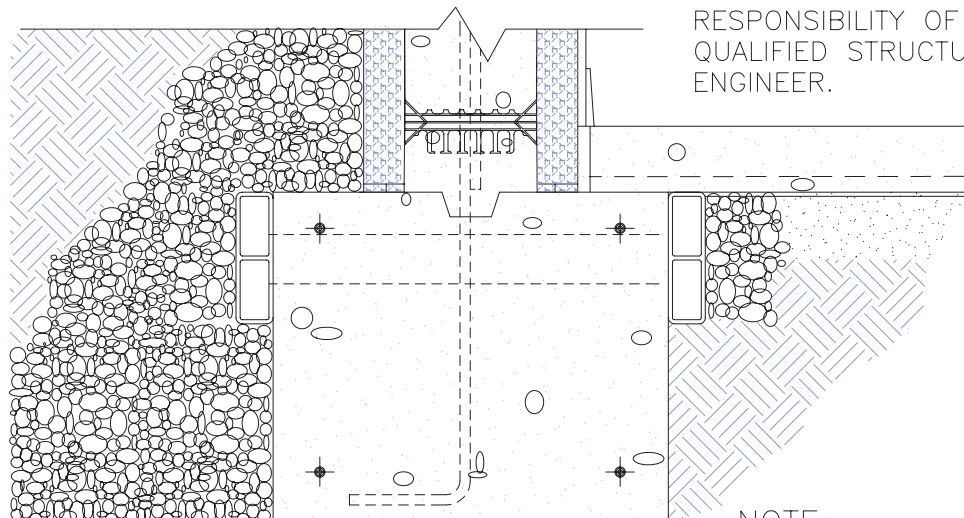
9705 N. BROADWAY EXTENSION, SUITE 200, OKLAHOMA CITY, OK 73114  
 OFFICE: 405-840-3386 | TOLL FREE: 866-222-2575 | FAX: 831-597-0792  
 BUILDBLOCK.COM

CONSTRUCTION SHALL BE IN ACCORDANCE WITH ALL APPLICABLE  
 LOCAL AND NATIONAL CODES. ALL DRAWINGS ARE SUBJECT TO  
 CHANGE WITHOUT NOTICE.

**55A**



1 CROSS SECTION DETAIL  
 55b SCALE: 1" = 1'-0"

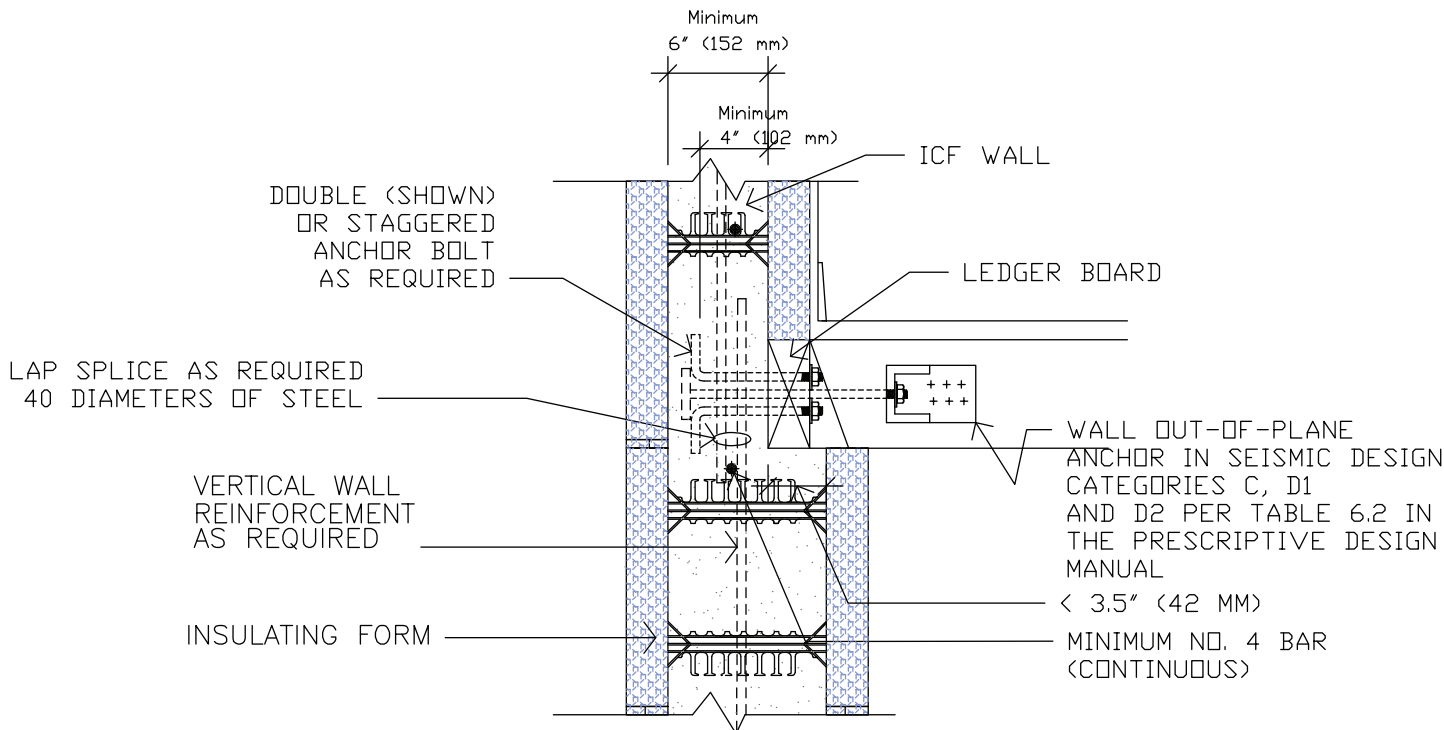
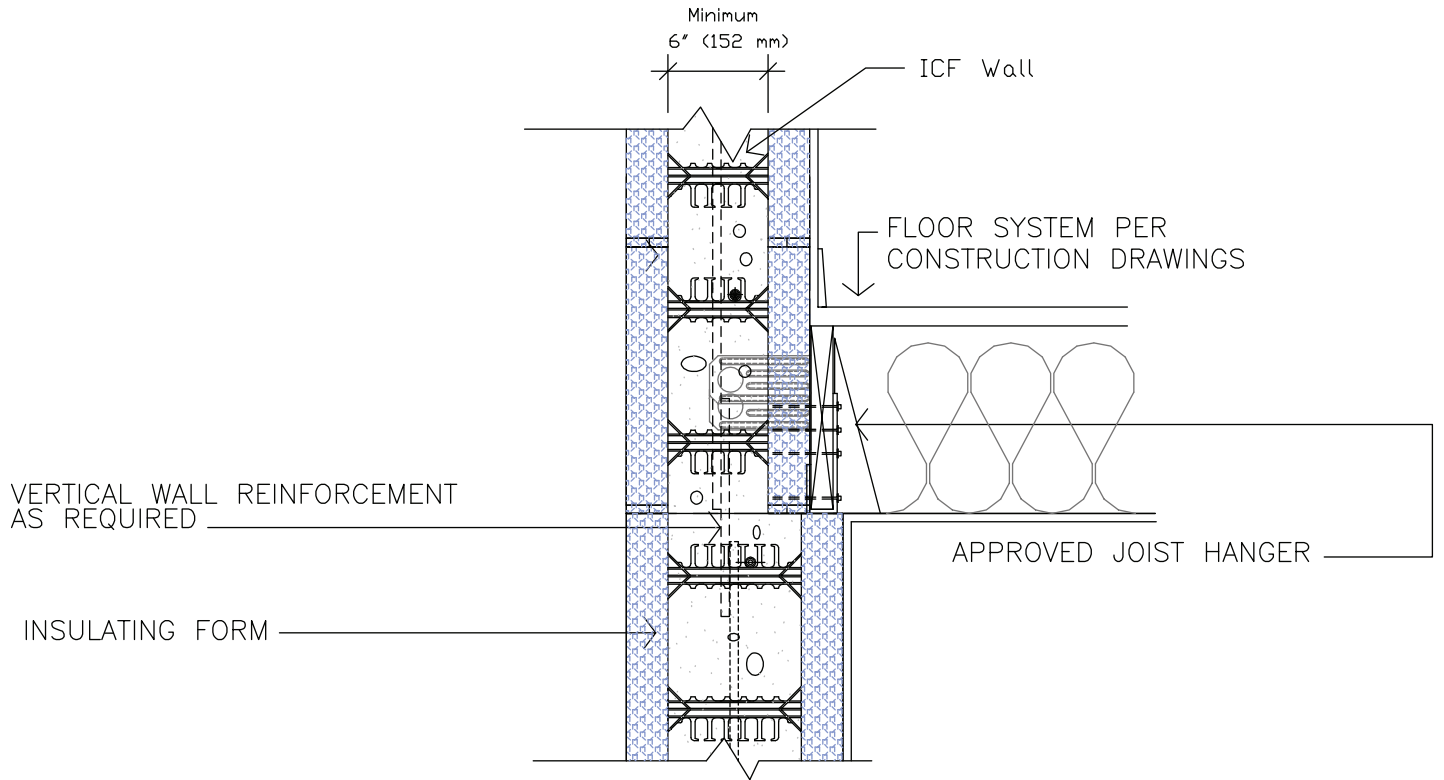



1  
 20  
 BASEMENT FOUNDATION

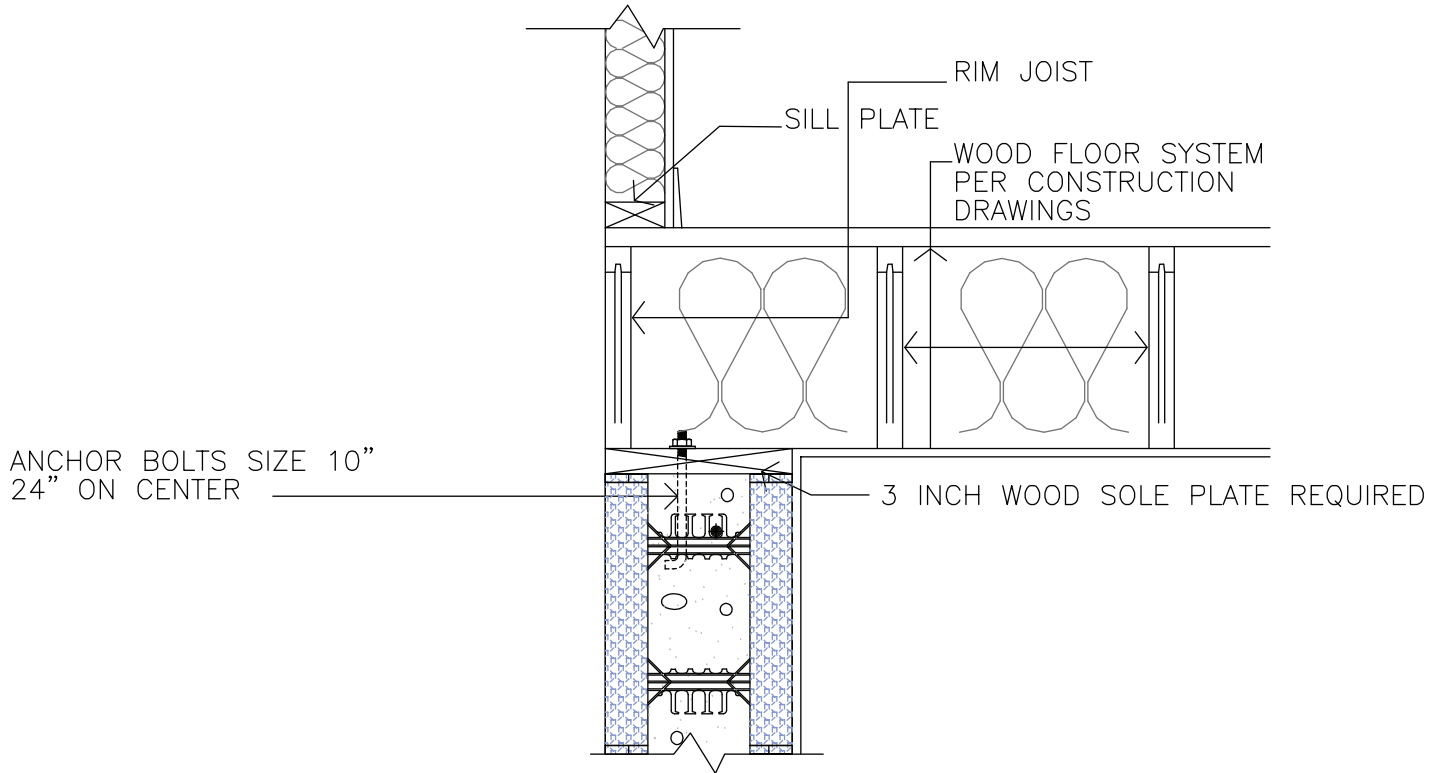
**NOTE:**  
 DUE TO VARIATIONS IN SELECTED PRINTER SETTINGS, NOTED SCALES MAY NO LONGER BE APPLICABLE

<p>9705 N. BROADWAY EXTENSION, SUITE 200, OKLAHOMA CITY, OK 73114                  OFFICE: 405-840-3386   TOLL FREE: 866-222-2575   FAX: 831-597-0792                  BUILDBLOCK.COM</p>	<b>BASEMENT W/ BUILDBLOCK ABOVE &amp; SIDE BEARING FLOOR</b>			
	DATE/REV	11-17-09	SCALE NTS	DETAIL SHEET
	NOTES			
			<b>55B</b>	

CONSTRUCTION SHALL BE IN ACCORDANCE WITH ALL APPLICABLE LOCAL AND NATIONAL CODES. ALL DRAWINGS ARE SUBJECT TO CHANGE WITHOUT NOTICE.



 <p>9705 N. BROADWAY EXTENSION, SUITE 200, OKLAHOMA CITY, OK 73114                  OFFICE: 405-840-3386   TOLL FREE: 866-222-2575   FAX: 831-597-0792                  BUILDBLOCK.COM</p>	FLOOR ICF WALL CONNECTION IN SEISMIC ZONE D & TOWNHOUSE ZONE C. ICF. ABOVE				
	DATE/REV	11-17-09	SCALE	NTS	DETAIL SHEET
	NOTES	CONSTRUCTION SHALL BE IN ACCORDANCE WITH ALL APPLICABLE LOCAL AND NATIONAL CODES. ALL DRAWINGS ARE SUBJECT TO CHANGE WITHOUT NOTICE.			55C



9705 N. BROADWAY EXTENSION, SUITE 200, OKLAHOMA CITY, OK 73114  
 OFFICE: 405-840-3386 | TOLL FREE: 866-222-2575 | FAX: 831-597-0792  
 BUILDBLOCK.COM

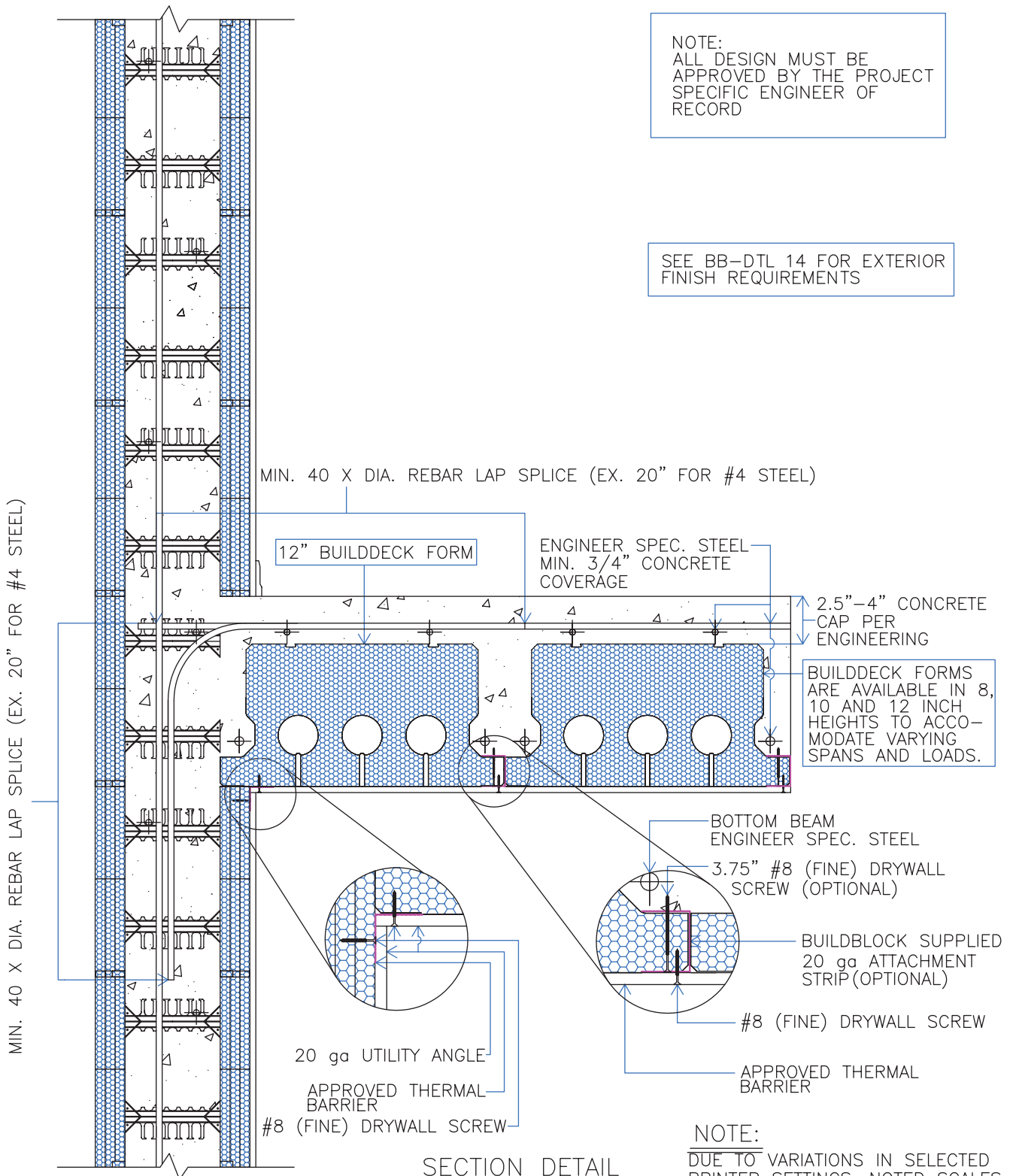
FLOOR ICF WALL CONNECTION IN SEISMIC ZONE D & TOWNHOUSE ZONE C. FRAME ABOVE

DATE/REV	11-17-09	SCALE	NTS	DETAIL SHEET
----------	----------	-------	-----	--------------

NOTES

CONSTRUCTION SHALL BE IN ACCORDANCE WITH ALL APPLICABLE LOCAL AND NATIONAL CODES. ALL DRAWINGS ARE SUBJECT TO CHANGE WITHOUT NOTICE.

**55D**




NOTE:  
 ALL DESIGN MUST BE APPROVED BY THE PROJECT SPECIFIC ENGINEER OF RECORD

SEE BB-DTL 14 FOR EXTERIOR FINISH REQUIREMENTS

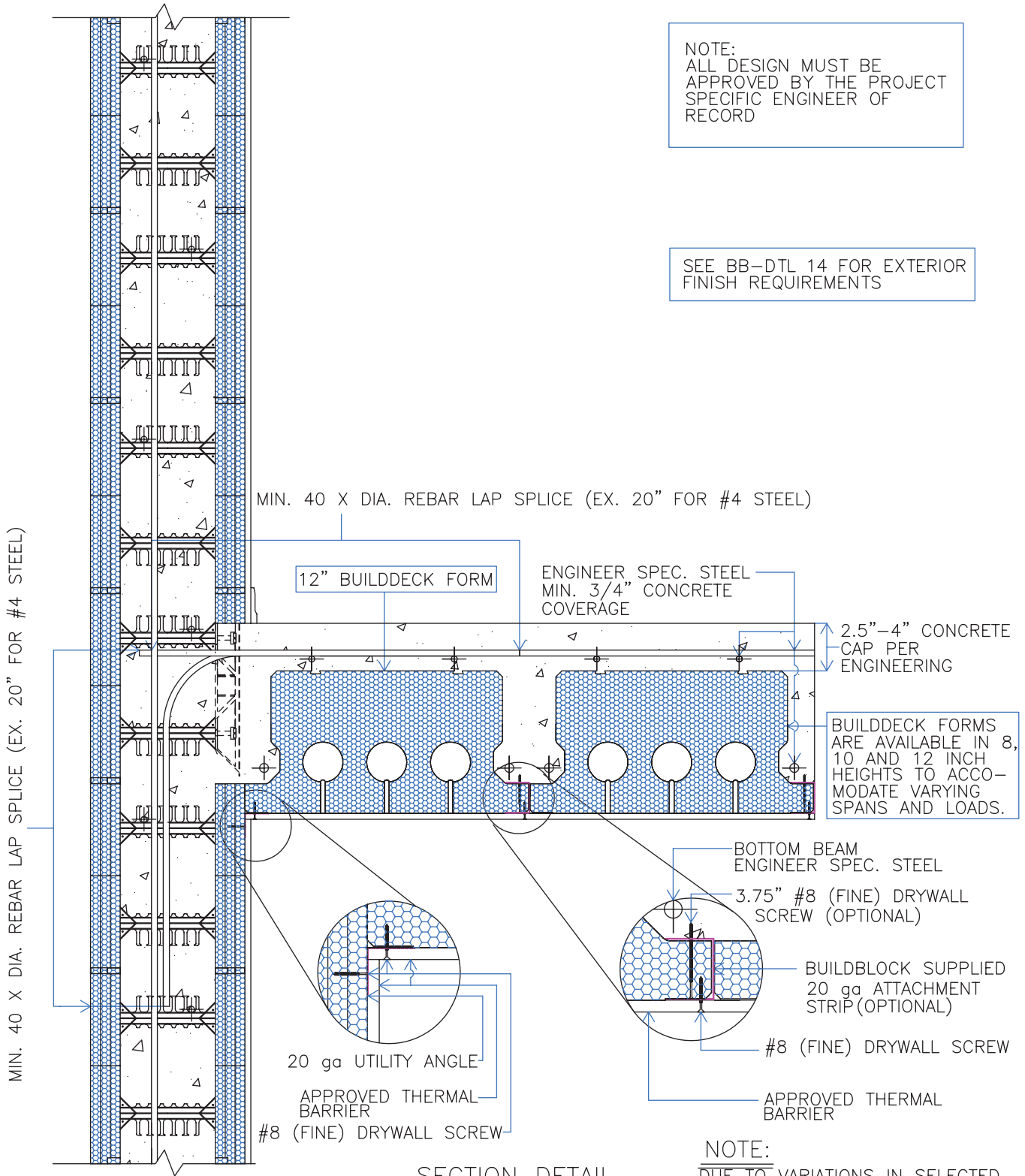
BUILDDECK FORMS ARE AVAILABLE IN 8, 10 AND 12 INCH HEIGHTS TO ACCOMMODATE VARYING SPANS AND LOADS.

NOTE:  
 DUE TO VARIATIONS IN SELECTED PRINTER SETTINGS, NOTED SCALES MAY NO LONGER BE APPLICABLE

SECTION DETAIL  
 SCALE: 1" = 1'-0"

	<b>BUILDDECK FLOOR &amp; WALL TOP BEARING</b>		
	DATE/REV	11-19-09	SCALE
NOTES			DETAIL SHEET
9705 N. BROADWAY EXTENSION, SUITE 200, OKLAHOMA CITY, OK 73114 OFFICE: 405-840-3386   TOLL FREE: 866-222-2575   FAX: 831-597-0792 BUILDBLOCK.COM			<b>56</b>

CONSTRUCTION SHALL BE IN ACCORDANCE WITH ALL APPLICABLE LOCAL AND NATIONAL CODES. ALL DRAWINGS ARE SUBJECT TO CHANGE WITHOUT NOTICE.




NOTE:  
 ALL DESIGN MUST BE  
 APPROVED BY THE PROJECT  
 SPECIFIC ENGINEER OF  
 RECORD

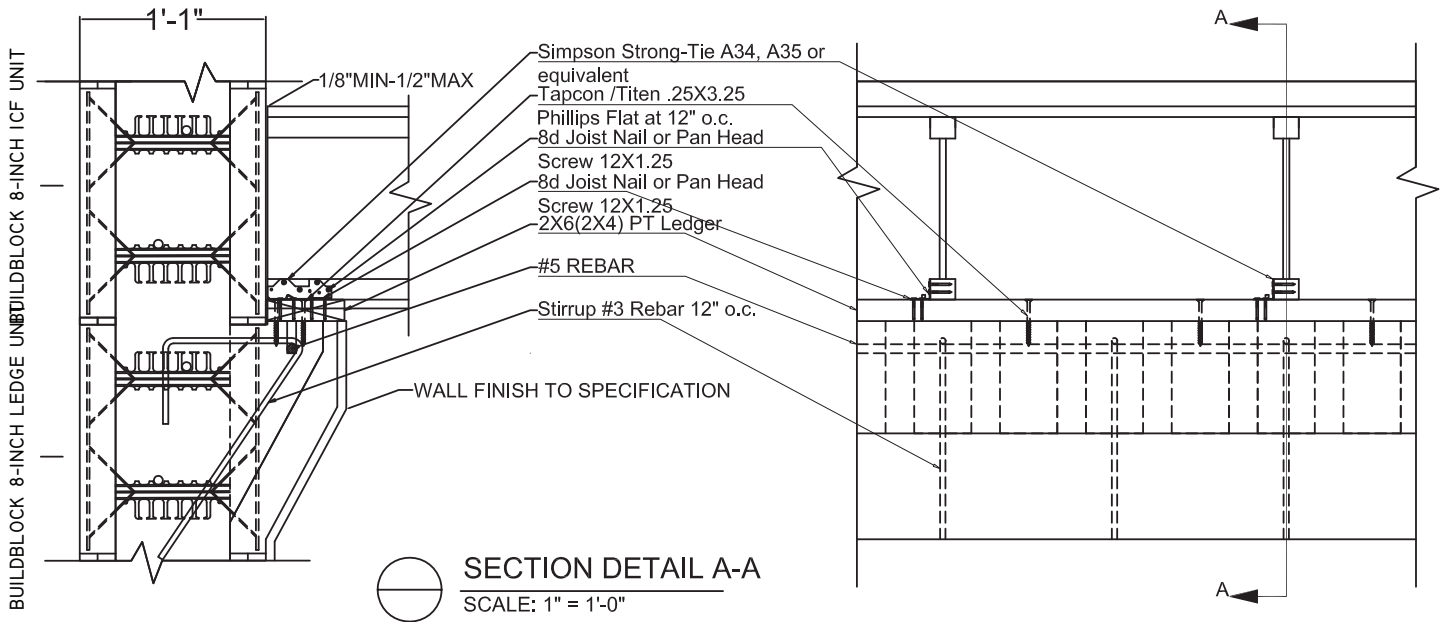
SEE BB-DTL 14 FOR EXTERIOR  
 FINISH REQUIREMENTS

SECTION DETAIL  
 SCALE: 1" = 1'-0"

NOTE:  
 DUE TO VARIATIONS IN SELECTED  
 PRINTER SETTINGS, NOTED SCALES  
 MAY NO LONGER BE APPLICABLE

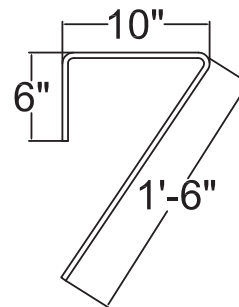
	<b>BUILDDECK FLOOR INTERSECTION</b>			DETAIL SHEET
	DATE/REV	11-19-09	SCALE	NTS
	NOTES			
9705 N. BROADWAY EXTENSION, SUITE 200, OKLAHOMA CITY, OK 73114 OFFICE: 405-840-3386   TOLL FREE: 866-222-2575   FAX: 831-597-0792 BUILDBLOCK.COM				57

CONSTRUCTION SHALL BE IN ACCORDANCE WITH ALL APPLICABLE  
 LOCAL AND NATIONAL CODES. ALL DRAWINGS ARE SUBJECT TO  
 CHANGE WITHOUT NOTICE.



NOTE:  
ENSURE THAT ALL REBAR STIRRUPS ARE ADEQUATELY MARKED PRIOR TO POUR. THIS WILL ELIMINATE INTERFERENCE WITH TAPCON/TITEN SCREWS.

ALLOWABLE LIVE LOAD TABLE FOR LEDGER BLOCK WITH WOOD FLOOR SYSTEM DEAD LOAD	
TOTAL SERVICE LOAD = 1.20 kips/ft. of ICF WALL	
DEAD LOAD = 25psf (WOOD FLOOR SYSTEM)	
FLOOR SPAN (feet)	ALLOWABLE LIVE LOAD (psf)
18	108
20	95
22	84
24	75
26	67
28	61
30	55
32	50
34	46
36	42
38	38



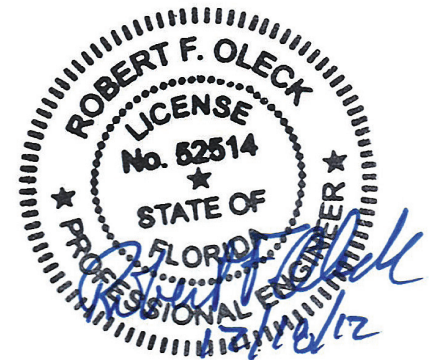
NOTE:  
ALL BENDS PER ANSI & STEEL INSTITUTE STANDARDS  
- STEEL GRADES AS SPECIFIED  
- DIMENSIONS TYPICAL FOR ALL LEDGE BLOCK APPLICATIONS

**STIRRUP DETAIL**  
SCALE: NTS

NOTES:

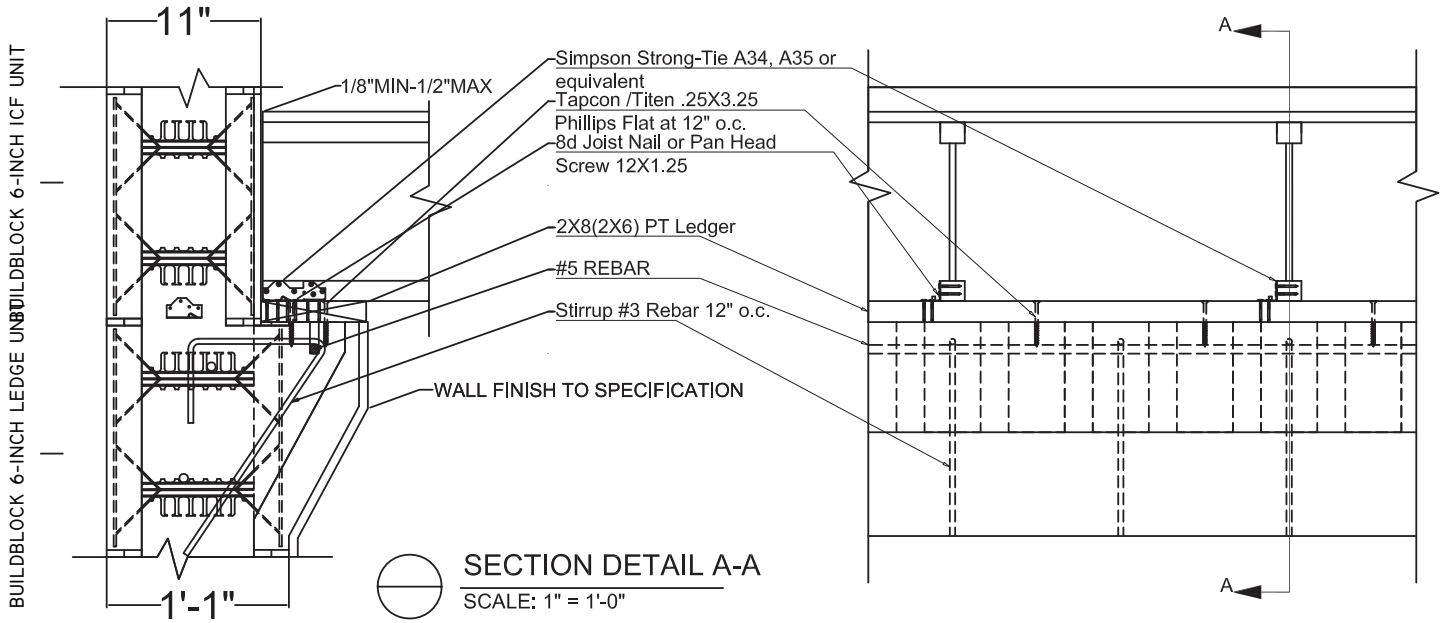
- USE OF EITHER 2X4 OR 2X6 (PICTURED) PRESSURE TREATED LUMBER IS ACCEPTABLE. INFERIOR FINISH AT CEILING JOINT MAY BE DRYWALL OR WOOD TRIM TO CONCEAL LEDGER BOARD.
- SCREWS OR JOIST NAILS MAY BE USED FOR ATTACHING JOIST ANGLE BRACKET TO LEDGER PLATE. SEE HANGER MANUFACTURERS RECOMMENDATIONS FOR FASTENERS.

NOTE:  
DUE TO VARIATIONS IN SELECTED PRINTER SETTINGS, NOTED SCALES MAY NO LONGER BE APPLICABLE.



	BRICKLEDGE 8" LEDGE BLOCK BB-8BL TO BUILDBLOCK BB-800		
	DATE/REV	11/2012	SCALE NTS
NOTES			<h1>58A</h1>
9705 N. BROADWAY EXTENSION, SUITE 200, OKLAHOMA CITY, OK 73114 OFFICE: 405-840-3386   TOLL FREE: 866-222-2575   FAX: 831-597-0792 BUILDBLOCK.COM	CONSTRUCTION SHALL BE IN ACCORDANCE WITH ALL APPLICABLE LOCAL AND NATIONAL CODES. ALL DRAWINGS ARE SUBJECT TO CHANGE WITHOUT NOTICE.		

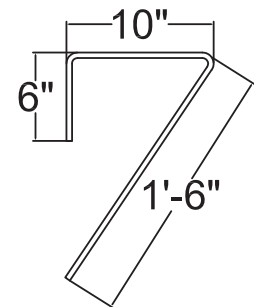
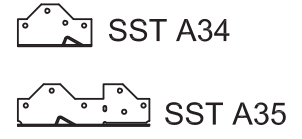




SECTION DETAIL A-A  
 SCALE: 1" = 1'-0"

NOTE:  
 ENSURE THAT ALL REBAR STIRRUPS ARE ADEQUATELY MARKED PRIOR TO POUR. THIS WILL ELIMINATE INTERFERENCE WITH TAPCON/TITEN SCREWS.

ALLOWABLE LIVE LOAD TABLE FOR LEDGER BLOCK WITH WOOD FLOOR SYSTEM DEAD LOAD		
TOTAL SERVICE LOAD = 1.20 kips/ft. of ICF WALL		
DEAD LOAD = 25psf (WOOD FLOOR SYSTEM)		
FLOOR SPAN (feet)		ALLOWABLE LIVE LOAD (psf)
18		108
20		95
22		84
24		75
26		67
28		61
30		55
32		50
34		46
36		42
38		38

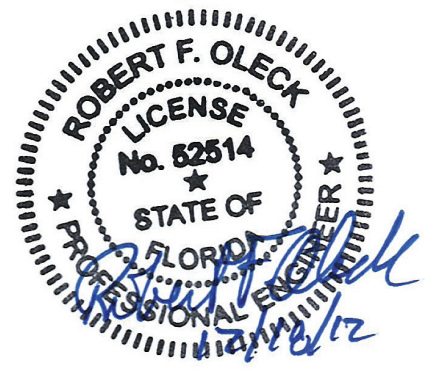


NOTE:  
 ALL BENDS PER ANSI & STEEL INSTITUTE STANDARDS  
 - STEEL GRADES AS SPECIFIED  
 - DIMENSIONS TYPICAL FOR ALL LEDGE BLOCK APPLICATIONS

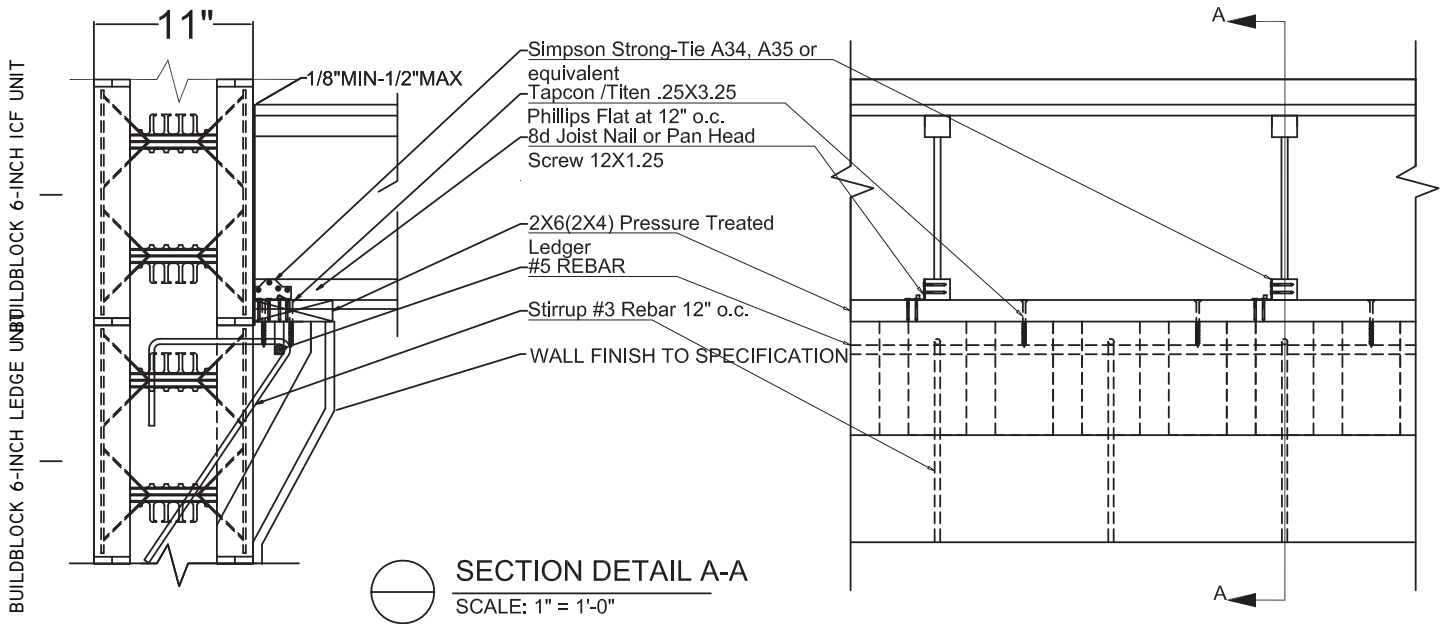
STIRRUP DETAIL  
 SCALE: NTS

- NOTES:
- USE OF EITHER 2X4 OR 2X6 (PICTURED) PRESSURE TREATED LUMBER IS ACCEPTABLE. INFERIOR FINISH AT CEILING JOINT MAY BE DRYWALL OR WOOD TRIM TO CONCEAL LEDGER BOARD.
  - SCREWS OR JOIST NAILS MAY BE USED FOR ATTACHING JOIST ANGLE BRACKET TO LEDGER PLATE. SEE HANGER MANUFACTURERS RECOMMENDATIONS FOR FASTENERS.

NOTE:  
 DUE TO VARIATIONS IN SELECTED PRINTER SETTINGS, NOTED SCALES MAY NO LONGER BE APPLICABLE.



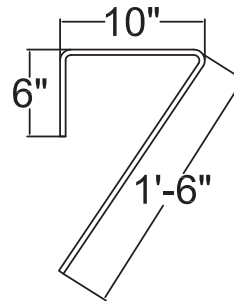
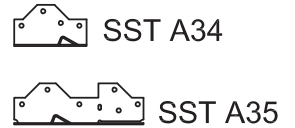
	BRICKLEDGE 8" LEDGE BLOCK BB-8BL TO BUILDBLOCK BB-600				
	DATE/REV	11/2012	SCALE	NTS	DETAIL SHEET
	NOTES			<h1>58B</h1>	
9705 N. BROADWAY EXTENSION, SUITE 200, OKLAHOMA CITY, OK 73114 OFFICE: 405-840-3386   TOLL FREE: 866-222-2575   FAX: 831-597-0792 BUILDBLOCK.COM			CONSTRUCTION SHALL BE IN ACCORDANCE WITH ALL APPLICABLE LOCAL AND NATIONAL CODES. ALL DRAWINGS ARE SUBJECT TO CHANGE WITHOUT NOTICE.		



SECTION DETAIL A-A  
 SCALE: 1" = 1'-0"

NOTE:  
 ENSURE THAT ALL REBAR STIRRUPS ARE ADEQUATELY MARKED PRIOR TO POUR. THIS WILL ELIMINATE INTERFERENCE WITH TAPCON/TITEN SCREWS.

ALLOWABLE LIVE LOAD TABLE FOR LEDGER BLOCK WITH WOOD FLOOR SYSTEM DEAD LOAD	
TOTAL SERVICE LOAD = 1.20 kips/ft. of ICF WALL	
DEAD LOAD = 25psf (WOOD FLOOR SYSTEM)	
FLOOR SPAN (feet)	ALLOWABLE LIVE LOAD (psf)
18	108
20	95
22	84
24	75
26	67
28	61
30	55
32	50
34	46
36	42
38	38



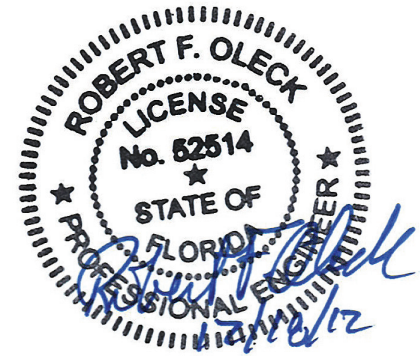
NOTE:  
 ALL BENDS PER ANSI & STEEL INSTITUTE STANDARDS  
 - STEEL GRADES AS SPECIFIED  
 - DIMENSIONS TYPICAL FOR ALL LEDGE BLOCK APPLICATIONS

STIRRUP DETAIL  
 SCALE: NTS

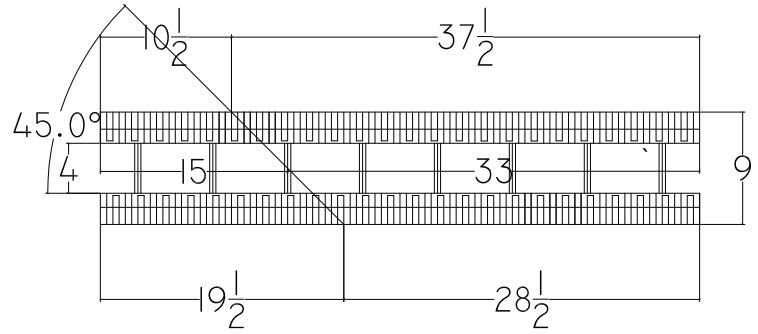
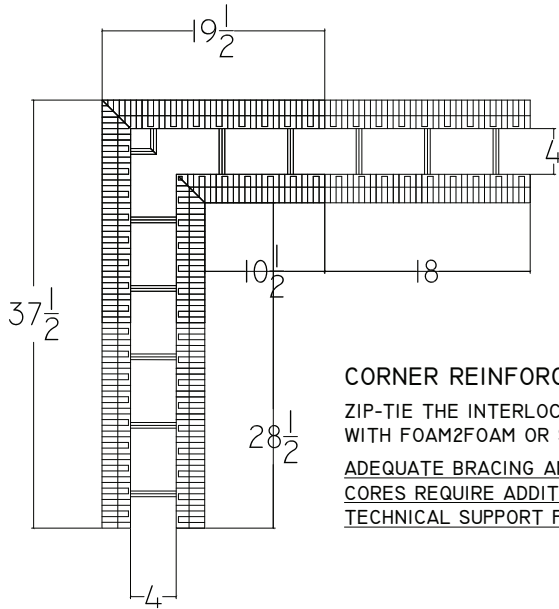
NOTES:

- USE OF EITHER 2X4 OR 2X6 (PICTURED) PRESSURE TREATED LUMBER IS ACCEPTABLE. INFERIOR FINISH AT CEILING JOINT MAY BE DRYWALL OR WOOD TRIM TO CONCEAL LEDGER BOARD.
- SCREWS OR JOIST NAILS MAY BE USED FOR ATTACHING JOIST ANGLE BRACKET TO LEDGER PLATE. SEE HANGER MANUFACTURERS RECOMMENDATIONS FOR FASTENERS.

NOTE:  
 DUE TO VARIATIONS IN SELECTED PRINTER SETTINGS, NOTED SCALES MAY NO LONGER BE APPLICABLE.



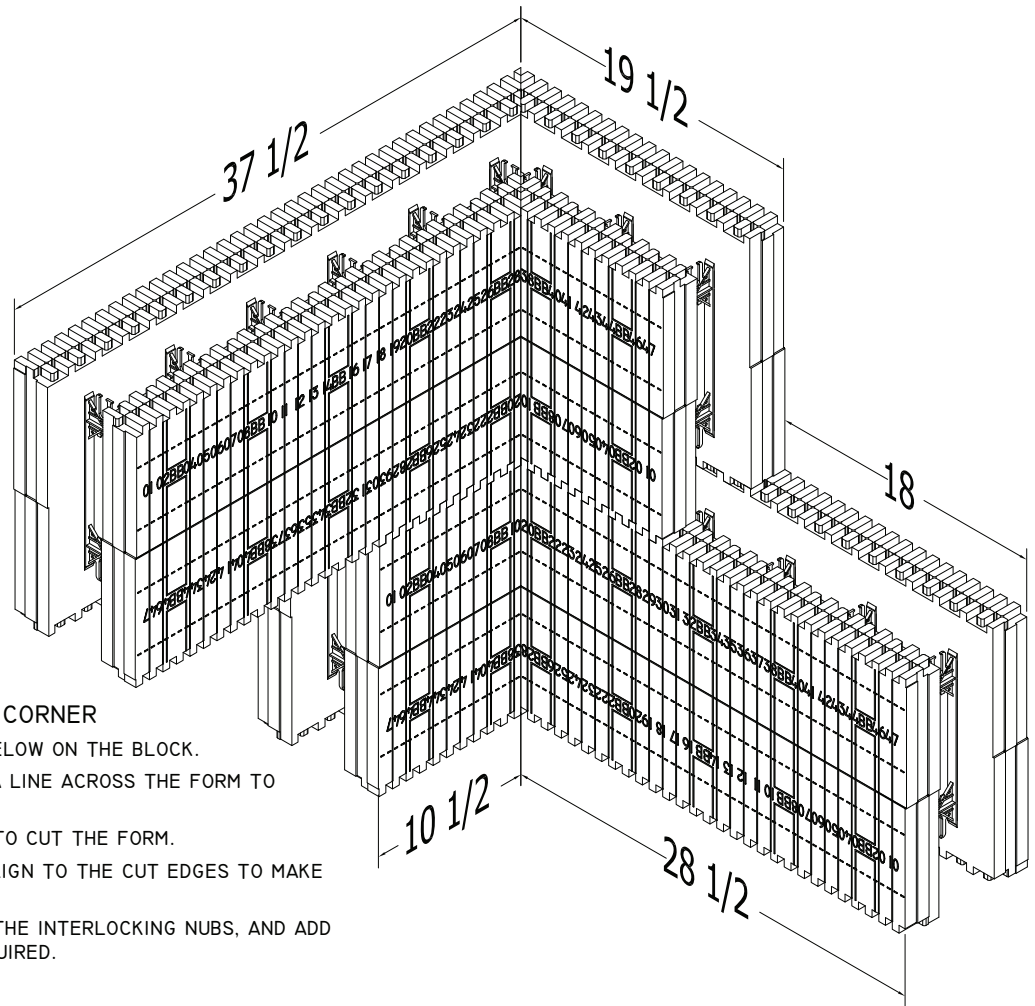
<p>9705 N. BROADWAY EXTENSION, SUITE 200, OKLAHOMA CITY, OK 73114                  OFFICE: 405-840-3386   TOLL FREE: 866-222-2575   FAX: 831-597-0792                  BUILDBLOCK.COM</p>	BRICKLEDGE 6" LEDGE BLOCK BB-8BL TO BUILDBLOCK BB-600			
	DATE/REV	11/2012	SCALE NTS	DETAIL SHEET
	NOTES	CONSTRUCTION SHALL BE IN ACCORDANCE WITH ALL APPLICABLE LOCAL AND NATIONAL CODES. ALL DRAWINGS ARE SUBJECT TO CHANGE WITHOUT NOTICE.		<h1>58C</h1>



**CORNER REINFORCEMENT**

ZIP-TIE THE INTERLOCKING NUBS TOGETHER TO REINFORCE THE CORNER. BOND THE CUT EDGES TOGETHER WITH FOAM2FOAM OR SIMILAR LOW EXPANDING FOAM ADHESIVE.

ADEQUATE BRACING AND STRAPPING IS REQUIRED FOR ALL FIELD FABRICATED CORNERS. LARGER BLOCK CORES REQUIRE ADDITIONAL BRACING AND STRAPPING ON OUTSIDE CORNER CUTS. CONTACT BUILDBLOCK TECHNICAL SUPPORT FOR MORE INFORMATION.




**HOW TO FIELD FABRICATE A CORNER**

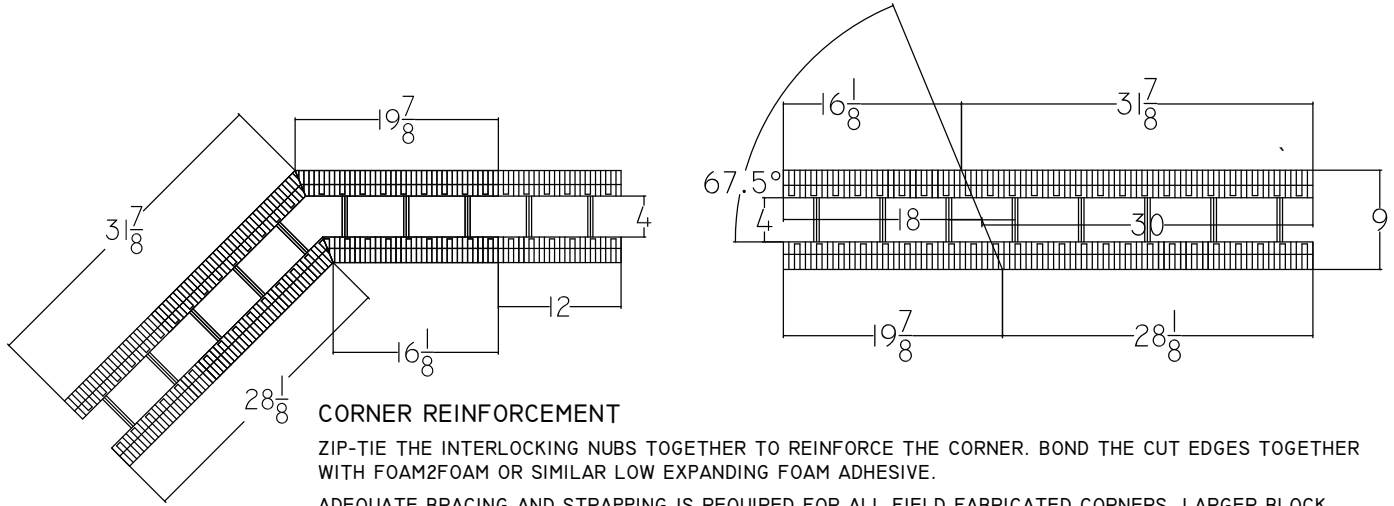
1. MARK THE DIMENSIONS SHOWN BELOW ON THE BLOCK.
2. USING A STRAIGHT EDGE, DRAW A LINE ACROSS THE FORM TO SERVE AS A GUIDELINE.
3. USE A HOT KNIFE OR HAND SAW TO CUT THE FORM.
4. FLIP ONE OF THE HALVES AND ALIGN TO THE CUT EDGES TO MAKE THE MITERED CORNER.
5. FOAM GLUE THE EDGES, ZIP-TIE THE INTERLOCKING NUBS, AND ADD STRAPPING AND BRACING AS REQUIRED.

**NOTE:**

FIELD CUT CORNERS CAN BE EASILY MADE USING THESE DIMENSIONS. THE CUTS ARE DESIGNED TO ALLOW A SUFFICIENT RUNNING BOND FOR THE FORMS.

THESE DIMENSIONS DO NOT MATCH FACTORY CORNERS. CUTS SHOULD BE MADE WITH THE MOST ACCURATE SAW AVAILABLE. FIELD MITERS SHOULD BE REINFORCED WITH WOOD OR METAL STRAPPING AND BRACED ADEQUATELY. SEE THE BUILDBLOCK INSTALLATION & TECHNICAL MANUAL FOR MORE DETAIL ON STRAPPING AND BRACING.

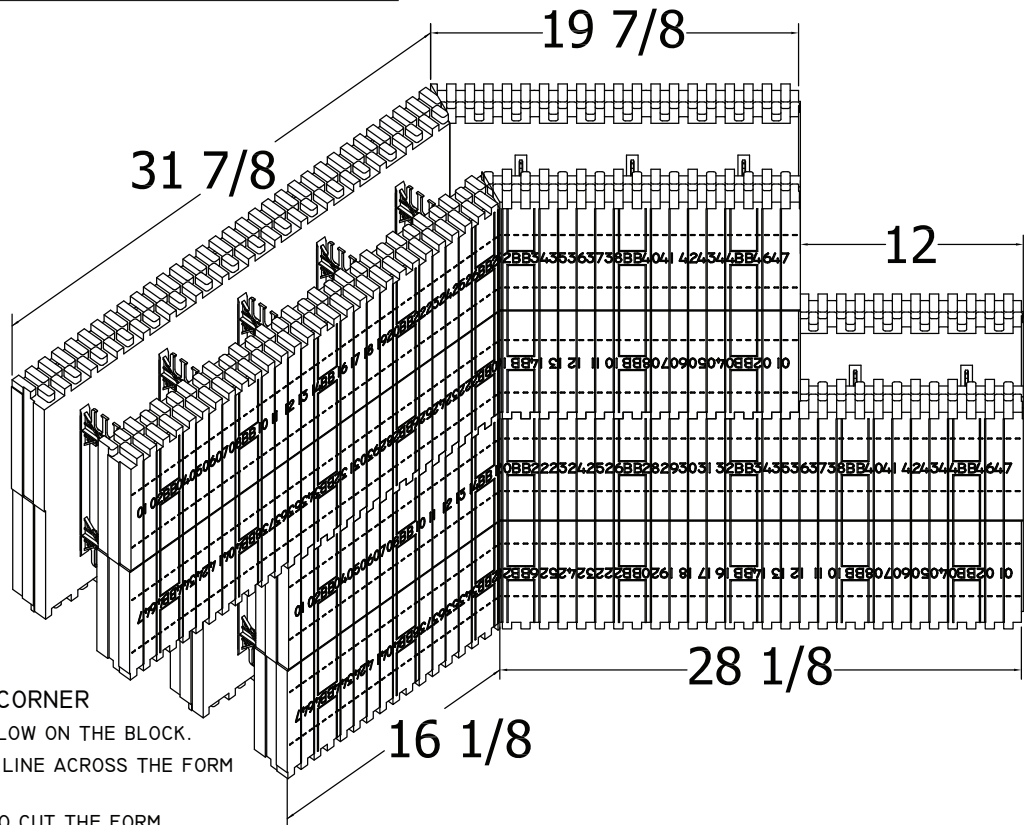
	<b>BB-400/BL-400 90° FIELD FABRICATED CORNER</b>			DETAIL SHEET
	DATE/REV	8/2015	SCALE	NTS
NOTES		<div style="font-size: 2em; font-weight: bold; margin: 0;">59A</div>		
9705 N. BROADWAY EXTENSION, SUITE 200, OKLAHOMA CITY, OK 73114 OFFICE: 405-840-3386   TOLL FREE: 866-222-2575   FAX: 831-597-0792 BUILDBLOCK.COM				



**CORNER REINFORCEMENT**

ZIP-TIE THE INTERLOCKING NUBS TOGETHER TO REINFORCE THE CORNER. BOND THE CUT EDGES TOGETHER WITH FOAM2FOAM OR SIMILAR LOW EXPANDING FOAM ADHESIVE.

ADEQUATE BRACING AND STRAPPING IS REQUIRED FOR ALL FIELD FABRICATED CORNERS. LARGER BLOCK CORES REQUIRE ADDITIONAL BRACING AND STRAPPING ON OUTSIDE CORNER CUTS. CONTACT BUILDBLOCK TECHNICAL SUPPORT FOR MORE INFORMATION.



**HOW TO FIELD FABRICATE A CORNER**

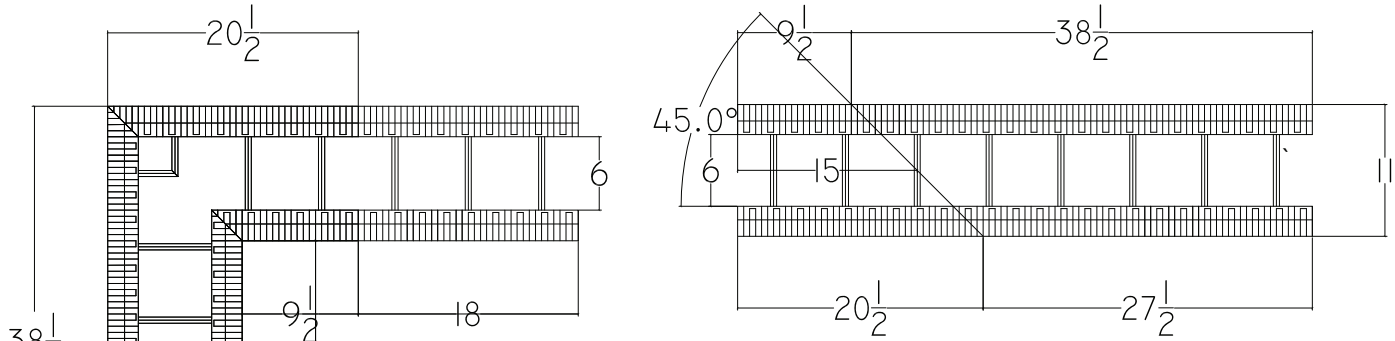
1. MARK THE DIMENSIONS SHOWN BELOW ON THE BLOCK.
2. USING A STRAIGHT EDGE, DRAW A LINE ACROSS THE FORM TO SERVE AS A GUIDELINE.
3. USE A HOT KNIFE OR HAND SAW TO CUT THE FORM.
4. FLIP ONE OF THE HALVES AND ALIGN TO THE CUT EDGES TO MAKE THE MITERED CORNER.
5. FOAM GLUE THE EDGES, ZIP-TIE THE INTERLOCKING NUBS, AND ADD STRAPPING AND BRACING AS REQUIRED.

**NOTE:**

FIELD CUT CORNERS CAN BE EASILY MADE USING THESE DIMENSIONS. THE CUTS ARE DESIGNED TO ALLOW A SUFFICIENT RUNNING BOND FOR THE FORMS.

THESE DIMENSIONS DO NOT MATCH FACTORY CORNERS. CUTS SHOULD BE MADE WITH THE MOST ACCURATE SAW AVAILABLE. FIELD MITERS SHOULD BE REINFORCED WITH WOOD OR METAL STRAPPING AND BRACED ADEQUATELY. SEE THE BUILDBLOCK INSTALLATION & TECHNICAL MANUAL FOR MORE DETAIL ON STRAPPING AND BRACING.

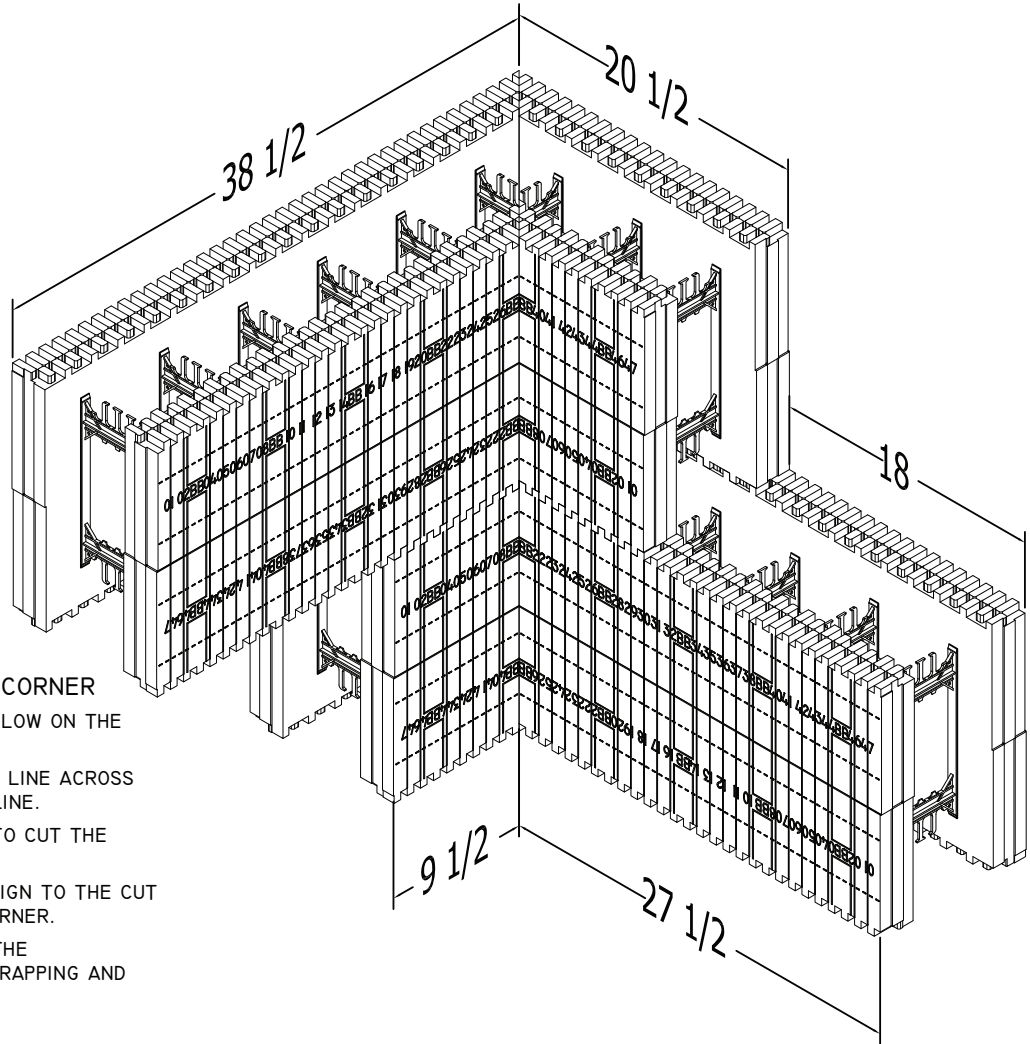
	<b>BB-445/BL-445 45° FIELD FABRICATED CORNER</b>			DETAIL SHEET
	DATE/REV	8/2015	SCALE	NTS
NOTES		<div style="font-size: 2em; font-weight: bold; margin: 0;">59B</div>		
9705 N. BROADWAY EXTENSION, SUITE 200, OKLAHOMA CITY, OK 73114 OFFICE: 405-840-3386   TOLL FREE: 866-222-2575   FAX: 831-597-0792 BUILDBLOCK.COM				



**CORNER REINFORCEMENT**

ZIP-TIE THE INTERLOCKING NUBS TOGETHER TO REINFORCE THE CORNER. BOND THE CUT EDGES TOGETHER WITH FOAM2FOAM OR SIMILAR LOW EXPANDING FOAM ADHESIVE.

ADEQUATE BRACING AND STRAPPING IS REQUIRED FOR ALL FIELD FABRICATED CORNERS. LARGER BLOCK CORES REQUIRE ADDITIONAL BRACING AND STRAPPING ON OUTSIDE CORNER CUTS. CONTACT BUILDBLOCK TECHNICAL SUPPORT FOR MORE INFORMATION.




**HOW TO FIELD FABRICATE A CORNER**

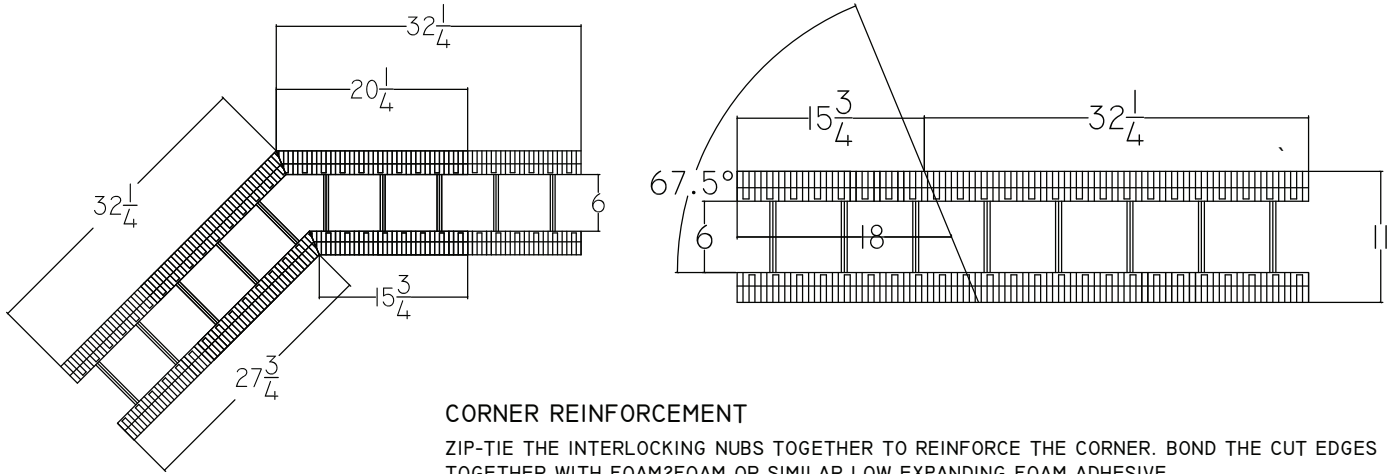
1. MARK THE DIMENSIONS SHOWN BELOW ON THE BLOCK.
2. USING A STRAIGHT EDGE, DRAW A LINE ACROSS THE FORM TO SERVE AS A GUIDELINE.
3. USE A HOT KNIFE OR HAND SAW TO CUT THE FORM.
4. FLIP ONE OF THE HALVES AND ALIGN TO THE CUT EDGES TO MAKE THE MITERED CORNER.
5. FOAM GLUE THE EDGES, ZIP-TIE THE INTERLOCKING NUBS, AND ADD STRAPPING AND BRACING AS REQUIRED.

**NOTE:**

FIELD CUT CORNERS CAN BE EASILY MADE USING THESE DIMENSIONS. THE CUTS ARE DESIGNED TO ALLOW A SUFFICIENT RUNNING BOND FOR THE FORMS.

THESE DIMENSIONS DO NOT MATCH FACTORY CORNERS. CUTS SHOULD BE MADE WITH THE MOST ACCURATE SAW AVAILABLE. FIELD MITERS SHOULD BE REINFORCED WITH WOOD OR METAL STRAPPING AND BRACED ADEQUATELY. SEE THE BUILDBLOCK INSTALLATION & TECHNICAL MANUAL FOR MORE DETAIL ON STRAPPING AND BRACING.

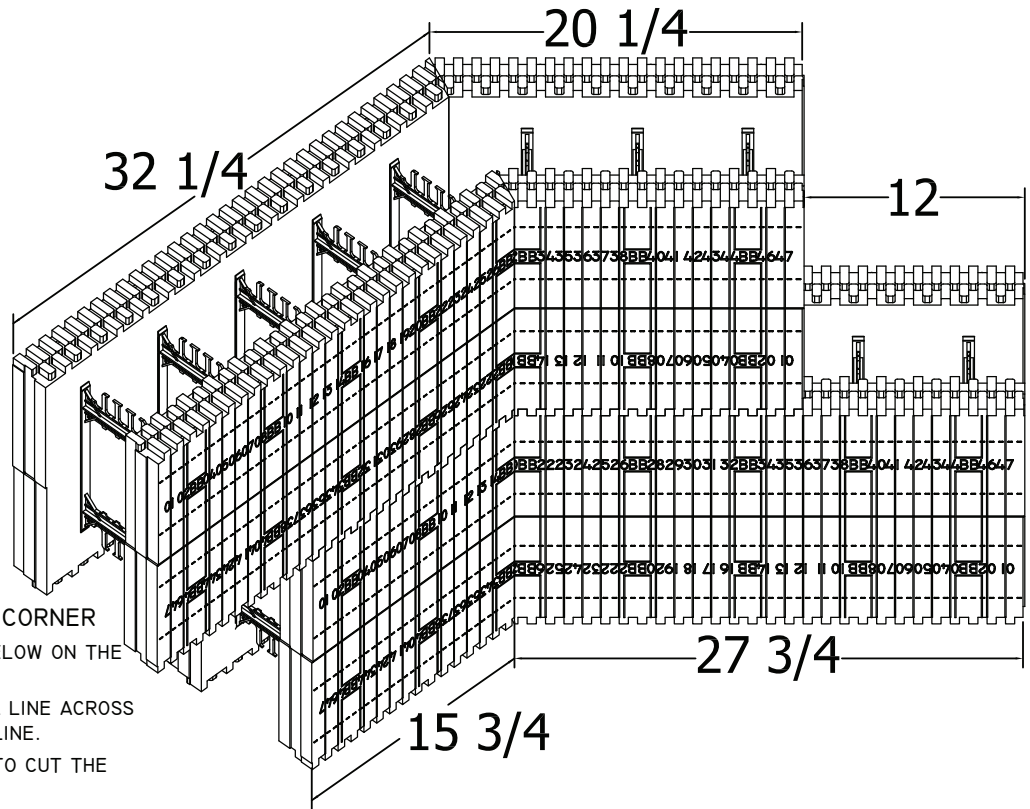
	<b>BB-600/BL-600 90° FIELD FABRICATED CORNER</b>				
	DATE/REV	8/2015	SCALE	NTS	DETAIL SHEET
	NOTES				<b>59C</b>
9705 N. BROADWAY EXTENSION, SUITE 200, OKLAHOMA CITY, OK 73114 OFFICE: 405-840-3386   TOLL FREE: 866-222-2575   FAX: 831-597-0792 BUILDBLOCK.COM		CONSTRUCTION SHALL BE IN ACCORDANCE WITH ALL APPLICABLE LOCAL AND NATIONAL CODES. ALL DRAWINGS ARE SUBJECT TO CHANGE WITHOUT NOTICE.			



**CORNER REINFORCEMENT**

ZIP-TIE THE INTERLOCKING NUBS TOGETHER TO REINFORCE THE CORNER. BOND THE CUT EDGES TOGETHER WITH FOAM2FOAM OR SIMILAR LOW EXPANDING FOAM ADHESIVE.

ADEQUATE BRACING AND STRAPPING IS REQUIRED FOR ALL FIELD FABRICATED CORNERS. LARGER BLOCK CORES REQUIRE ADDITIONAL BRACING AND STRAPPING ON OUTSIDE CORNER CUTS. CONTACT BUILDBLOCK TECHNICAL SUPPORT FOR MORE INFORMATION.



**HOW TO FIELD FABRICATE A CORNER**

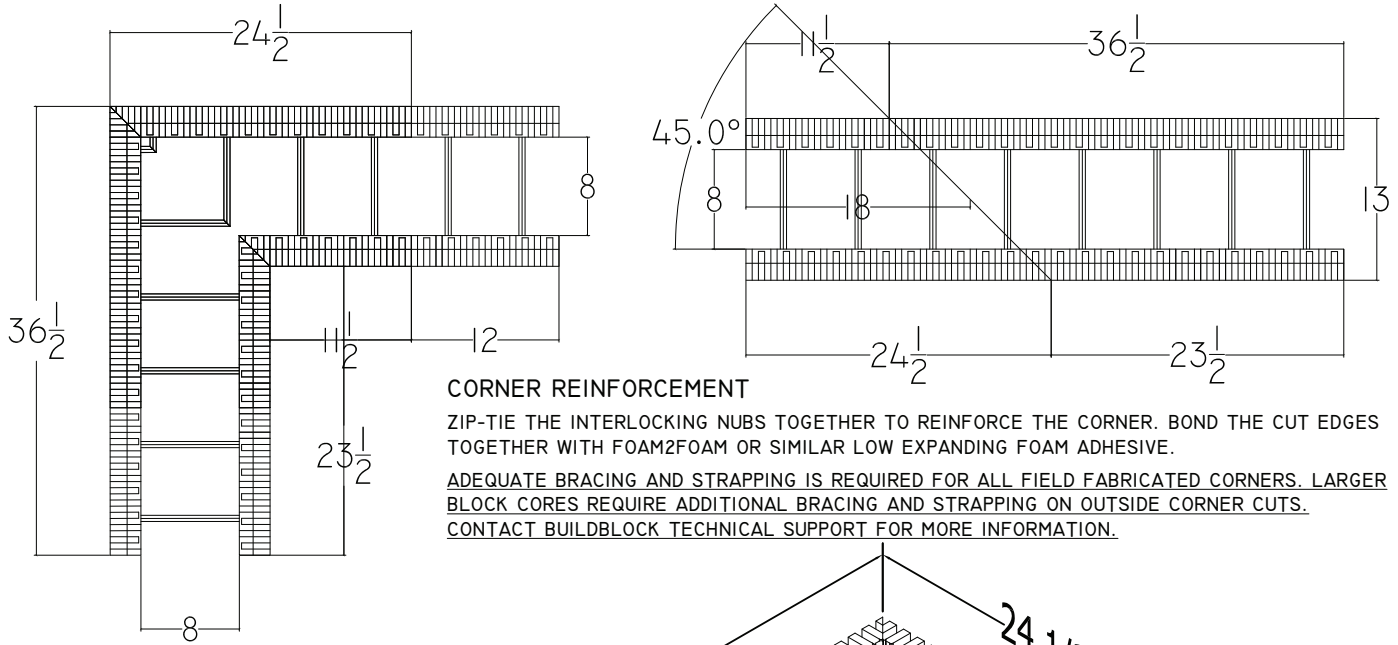
1. MARK THE DIMENSIONS SHOWN BELOW ON THE BLOCK.
2. USING A STRAIGHT EDGE, DRAW A LINE ACROSS THE FORM TO SERVE AS A GUIDELINE.
3. USE A HOT KNIFE OR HAND SAW TO CUT THE FORM.
4. FLIP ONE OF THE HALVES AND ALIGN TO THE CUT EDGES TO MAKE THE MITERED CORNER.
5. FOAM GLUE THE EDGES, ZIP-TIE THE INTERLOCKING NUBS, AND ADD STRAPPING AND BRACING AS REQUIRED.

**NOTE:**

FIELD CUT CORNERS CAN BE EASILY MADE USING THESE DIMENSIONS. THE CUTS ARE DESIGNED TO ALLOW A SUFFICIENT RUNNING BOND FOR THE FORMS.

THESE DIMENSIONS DO NOT MATCH FACTORY CORNERS. CUTS SHOULD BE MADE WITH THE MOST ACCURATE SAW AVAILABLE. FIELD MITERS SHOULD BE REINFORCED WITH WOOD OR METAL STRAPPING AND BRACED ADEQUATELY. SEE THE BUILDBLOCK INSTALLATION & TECHNICAL MANUAL FOR MORE DETAIL ON STRAPPING AND BRACING.

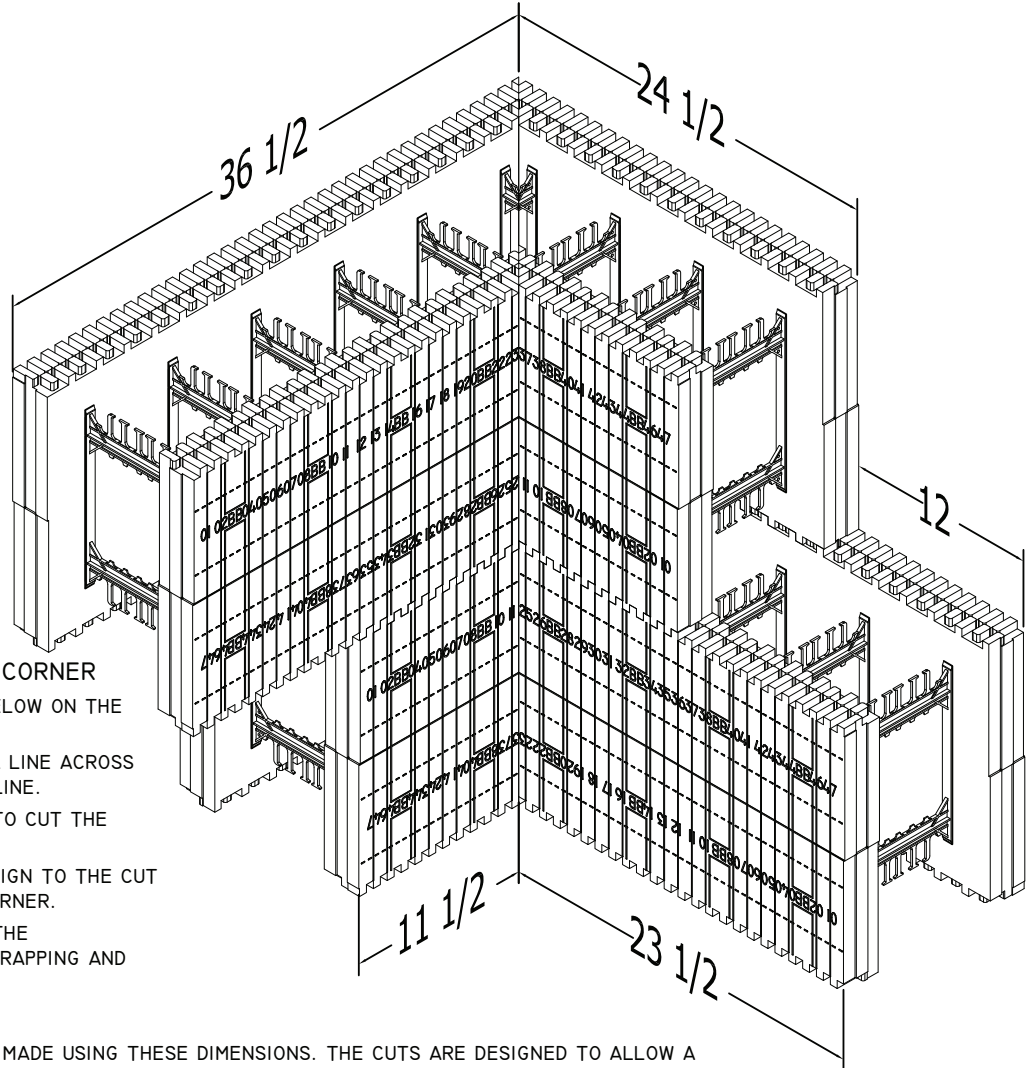
	<b>BB-645/BL-645 45° FIELD FABRICATED CORNER</b>			DETAIL SHEET
	DATE/REV	8/2015	SCALE	NTS
NOTES				59D
9705 N. BROADWAY EXTENSION, SUITE 200, OKLAHOMA CITY, OK 73114 OFFICE: 405-840-3386   TOLL FREE: 866-222-2575   FAX: 831-597-0792 BUILDBLOCK.COM				
CONSTRUCTION SHALL BE IN ACCORDANCE WITH ALL APPLICABLE LOCAL AND NATIONAL CODES. ALL DRAWINGS ARE SUBJECT TO CHANGE WITHOUT NOTICE.				



**CORNER REINFORCEMENT**

ZIP-TIE THE INTERLOCKING NUBS TOGETHER TO REINFORCE THE CORNER. BOND THE CUT EDGES TOGETHER WITH FOAM2FOAM OR SIMILAR LOW EXPANDING FOAM ADHESIVE.

ADEQUATE BRACING AND STRAPPING IS REQUIRED FOR ALL FIELD FABRICATED CORNERS. LARGER BLOCK CORES REQUIRE ADDITIONAL BRACING AND STRAPPING ON OUTSIDE CORNER CUTS. CONTACT BUILDBLOCK TECHNICAL SUPPORT FOR MORE INFORMATION.



**HOW TO FIELD FABRICATE A CORNER**

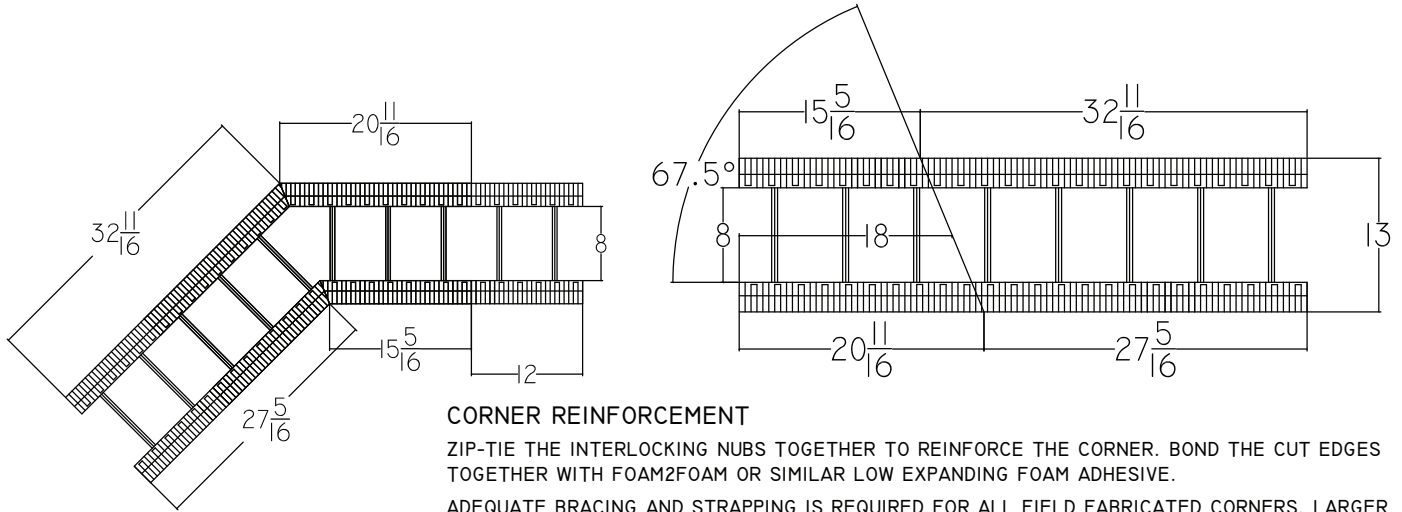
1. MARK THE DIMENSIONS SHOWN BELOW ON THE BLOCK.
2. USING A STRAIGHT EDGE, DRAW A LINE ACROSS THE FORM TO SERVE AS A GUIDELINE.
3. USE A HOT KNIFE OR HAND SAW TO CUT THE FORM.
4. FLIP ONE OF THE HALVES AND ALIGN TO THE CUT EDGES TO MAKE THE MITERED CORNER.
5. FOAM GLUE THE EDGES, ZIP-TIE THE INTERLOCKING NUBS, AND ADD STRAPPING AND BRACING AS REQUIRED.

**NOTE:**

FIELD CUT CORNERS CAN BE EASILY MADE USING THESE DIMENSIONS. THE CUTS ARE DESIGNED TO ALLOW A SUFFICIENT RUNNING BOND FOR THE FORMS.

THESE DIMENSIONS DO NOT MATCH FACTORY CORNERS. CUTS SHOULD BE MADE WITH THE MOST ACCURATE SAW AVAILABLE. FIELD MITERS SHOULD BE REINFORCED WITH WOOD OR METAL STRAPPING AND BRACED ADEQUATELY. SEE THE BUILDBLOCK INSTALLATION & TECHNICAL MANUAL FOR MORE DETAIL ON STRAPPING AND BRACING.

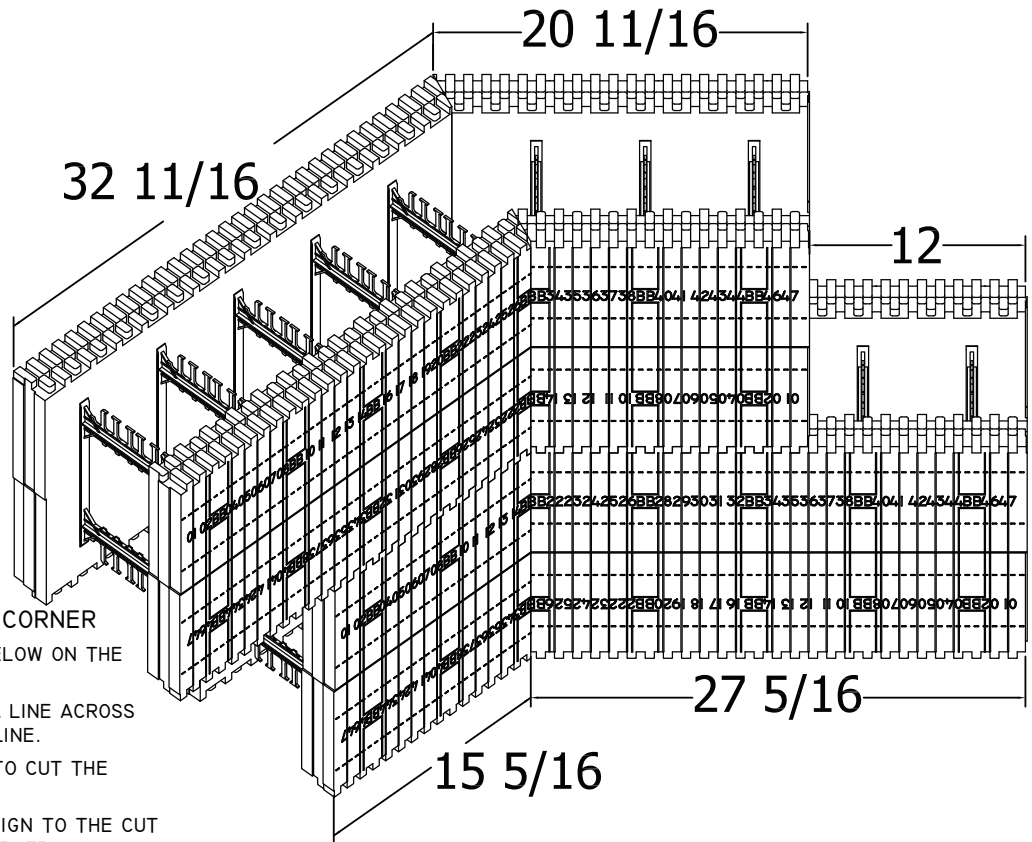
	<b>BB-800/BL-800 90° FIELD FABRICATED CORNER</b>			DETAIL SHEET
	DATE/REV	8/2015	SCALE	NTS
NOTES		<span style="font-size: 48pt; font-weight: bold;">59E</span>		
9705 N. BROADWAY EXTENSION, SUITE 200, OKLAHOMA CITY, OK 73114 OFFICE: 405-840-3386   TOLL FREE: 866-222-2575   FAX: 831-597-0792 BUILDBLOCK.COM				



**CORNER REINFORCEMENT**

ZIP-TIE THE INTERLOCKING NUBS TOGETHER TO REINFORCE THE CORNER. BOND THE CUT EDGES TOGETHER WITH FOAM2FOAM OR SIMILAR LOW EXPANDING FOAM ADHESIVE.

ADEQUATE BRACING AND STRAPPING IS REQUIRED FOR ALL FIELD FABRICATED CORNERS. LARGER BLOCK CORES REQUIRE ADDITIONAL BRACING AND STRAPPING ON OUTSIDE CORNER CUTS. CONTACT BUILDBLOCK TECHNICAL SUPPORT FOR MORE INFORMATION.




**HOW TO FIELD FABRICATE A CORNER**

1. MARK THE DIMENSIONS SHOWN BELOW ON THE BLOCK.
2. USING A STRAIGHT EDGE, DRAW A LINE ACROSS THE FORM TO SERVE AS A GUIDELINE.
3. USE A HOT KNIFE OR HAND SAW TO CUT THE FORM.
4. FLIP ONE OF THE HALVES AND ALIGN TO THE CUT EDGES TO MAKE THE MITERED CORNER.
5. FOAM GLUE THE EDGES, ZIP-TIE THE INTERLOCKING NUBS, AND ADD STRAPPING AND BRACING AS REQUIRED.

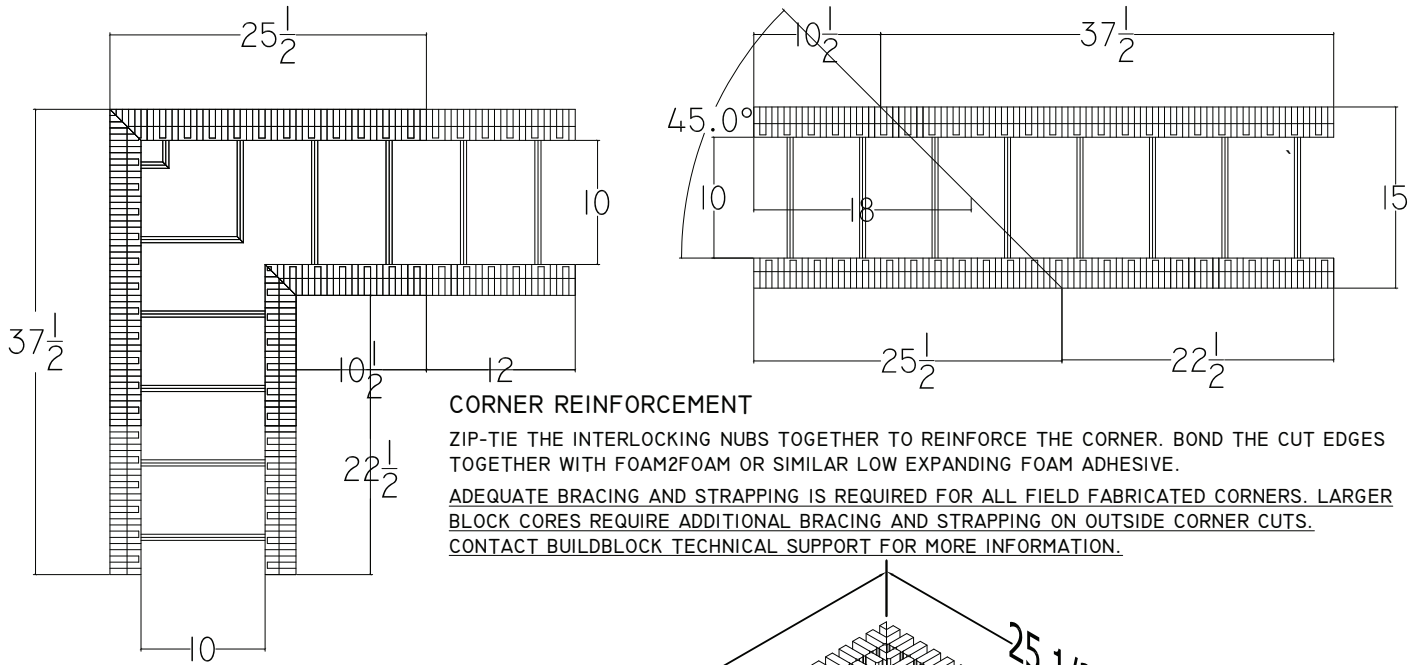
**NOTE:**

FIELD CUT CORNERS CAN BE EASILY MADE USING THESE DIMENSIONS. THE CUTS ARE DESIGNED TO ALLOW A SUFFICIENT RUNNING BOND FOR THE FORMS.

THESE DIMENSIONS DO NOT MATCH FACTORY CORNERS. CUTS SHOULD BE MADE WITH THE MOST ACCURATE SAW AVAILABLE. FIELD MITERS SHOULD BE REINFORCED WITH WOOD OR METAL STRAPPING AND BRACED ADEQUATELY. SEE THE BUILDBLOCK INSTALLATION & TECHNICAL MANUAL FOR MORE DETAIL ON STRAPPING AND BRACING.

	<b>BB-845/BL-845 45° FIELD FABRICATED CORNER</b>			
	DATE/REV	8/2015	SCALE	NTS
NOTES				<b>59F</b>
9705 N. BROADWAY EXTENSION, SUITE 200, OKLAHOMA CITY, OK 73114 OFFICE: 405-840-3386   TOLL FREE: 866-222-2575   FAX: 831-597-0792 BUILDBLOCK.COM		CONSTRUCTION SHALL BE IN ACCORDANCE WITH ALL APPLICABLE LOCAL AND NATIONAL CODES. ALL DRAWINGS ARE SUBJECT TO CHANGE WITHOUT NOTICE.		

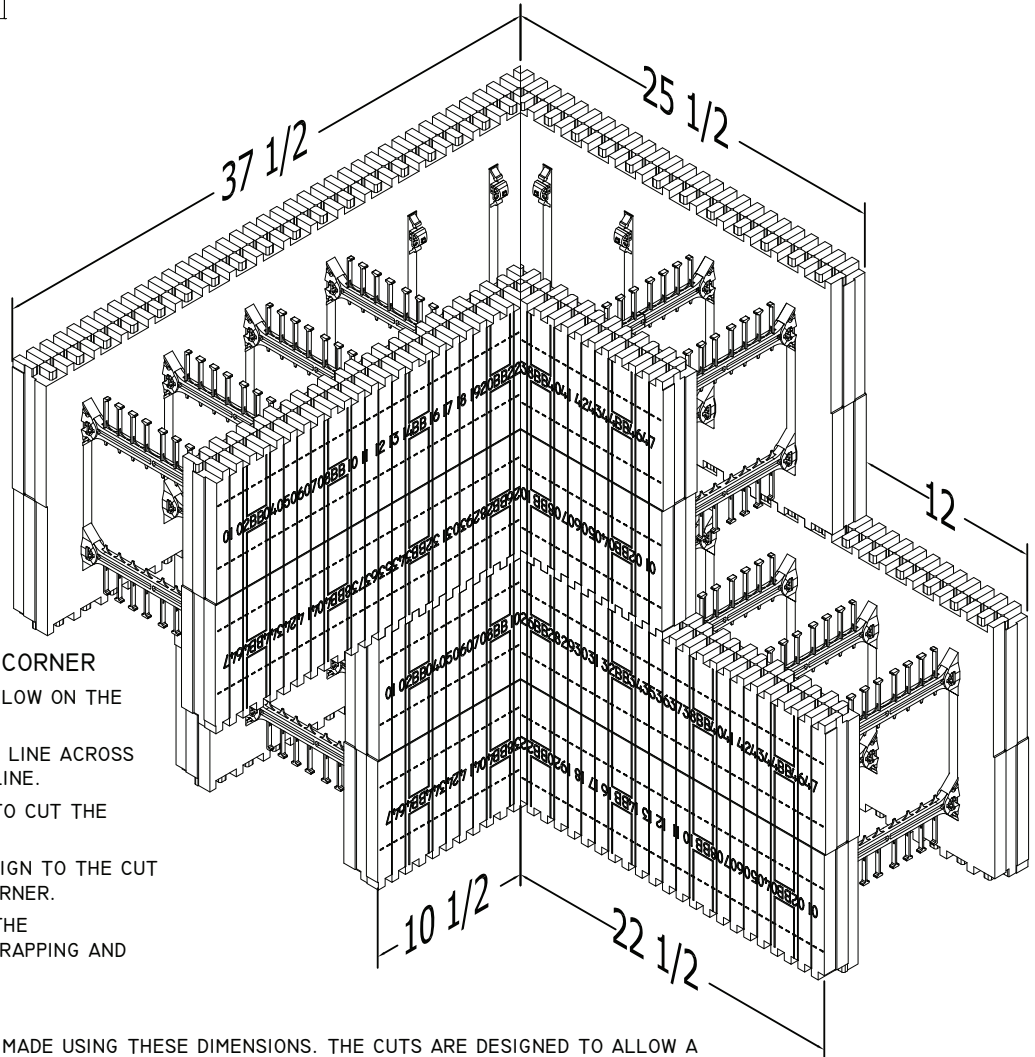




**CORNER REINFORCEMENT**

ZIP-TIE THE INTERLOCKING NUBS TOGETHER TO REINFORCE THE CORNER. BOND THE CUT EDGES TOGETHER WITH FOAM2FOAM OR SIMILAR LOW EXPANDING FOAM ADHESIVE.

ADEQUATE BRACING AND STRAPPING IS REQUIRED FOR ALL FIELD FABRICATED CORNERS. LARGER BLOCK CORES REQUIRE ADDITIONAL BRACING AND STRAPPING ON OUTSIDE CORNER CUTS. CONTACT BUILDBLOCK TECHNICAL SUPPORT FOR MORE INFORMATION.



**HOW TO FIELD FABRICATE A CORNER**

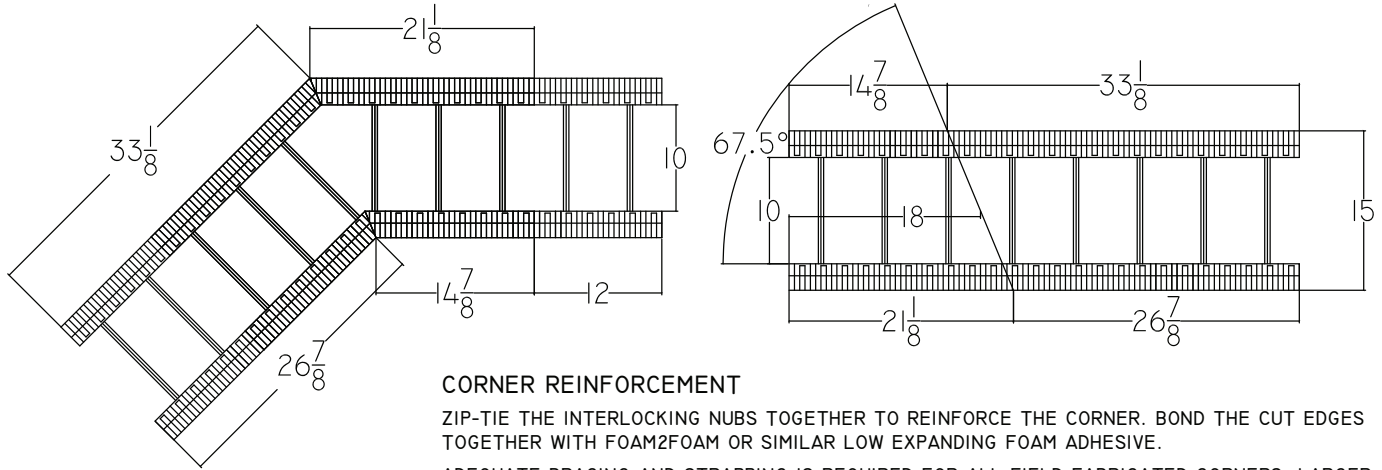
1. MARK THE DIMENSIONS SHOWN BELOW ON THE BLOCK.
2. USING A STRAIGHT EDGE, DRAW A LINE ACROSS THE FORM TO SERVE AS A GUIDELINE.
3. USE A HOT KNIFE OR HAND SAW TO CUT THE FORM.
4. FLIP ONE OF THE HALVES AND ALIGN TO THE CUT EDGES TO MAKE THE MITERED CORNER.
5. FOAM GLUE THE EDGES, ZIP-TIE THE INTERLOCKING NUBS, AND ADD STRAPPING AND BRACING AS REQUIRED.

**NOTE:**

FIELD CUT CORNERS CAN BE EASILY MADE USING THESE DIMENSIONS. THE CUTS ARE DESIGNED TO ALLOW A SUFFICIENT RUNNING BOND FOR THE FORMS.

THESE DIMENSIONS DO NOT MATCH FACTORY CORNERS. CUTS SHOULD BE MADE WITH THE MOST ACCURATE SAW AVAILABLE. FIELD MITERS SHOULD BE REINFORCED WITH WOOD OR METAL STRAPPING AND BRACED ADEQUATELY. SEE THE BUILDBLOCK INSTALLATION & TECHNICAL MANUAL FOR MORE DETAIL ON STRAPPING AND BRACING.

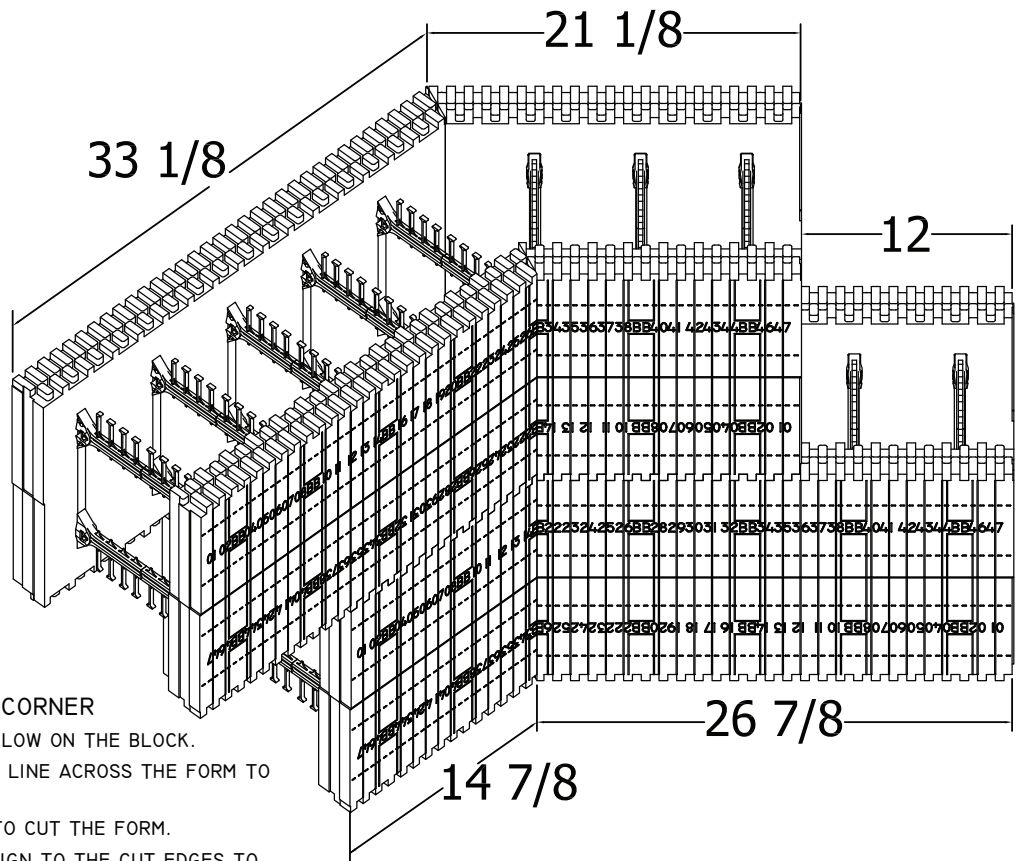
	<b>BB-1000/BL-1000 90° FIELD FABRICATED CORNER</b>			
	DATE/REV	8/2015	SCALE NTS	DETAIL SHEET
	NOTES			
9705 N. BROADWAY EXTENSION, SUITE 200, OKLAHOMA CITY, OK 73114 OFFICE: 405-840-3386   TOLL FREE: 866-222-2575   FAX: 831-597-0792 BUILDBLOCK.COM	CONSTRUCTION SHALL BE IN ACCORDANCE WITH ALL APPLICABLE LOCAL AND NATIONAL CODES. ALL DRAWINGS ARE SUBJECT TO CHANGE WITHOUT NOTICE.			59G



**CORNER REINFORCEMENT**

ZIP-TIE THE INTERLOCKING NUBS TOGETHER TO REINFORCE THE CORNER. BOND THE CUT EDGES TOGETHER WITH FOAM2FOAM OR SIMILAR LOW EXPANDING FOAM ADHESIVE.

ADEQUATE BRACING AND STRAPPING IS REQUIRED FOR ALL FIELD FABRICATED CORNERS. LARGER BLOCK CORES REQUIRE ADDITIONAL BRACING AND STRAPPING ON OUTSIDE CORNER CUTS. CONTACT BUILDBLOCK TECHNICAL SUPPORT FOR MORE INFORMATION.



**HOW TO FIELD FABRICATE A CORNER**

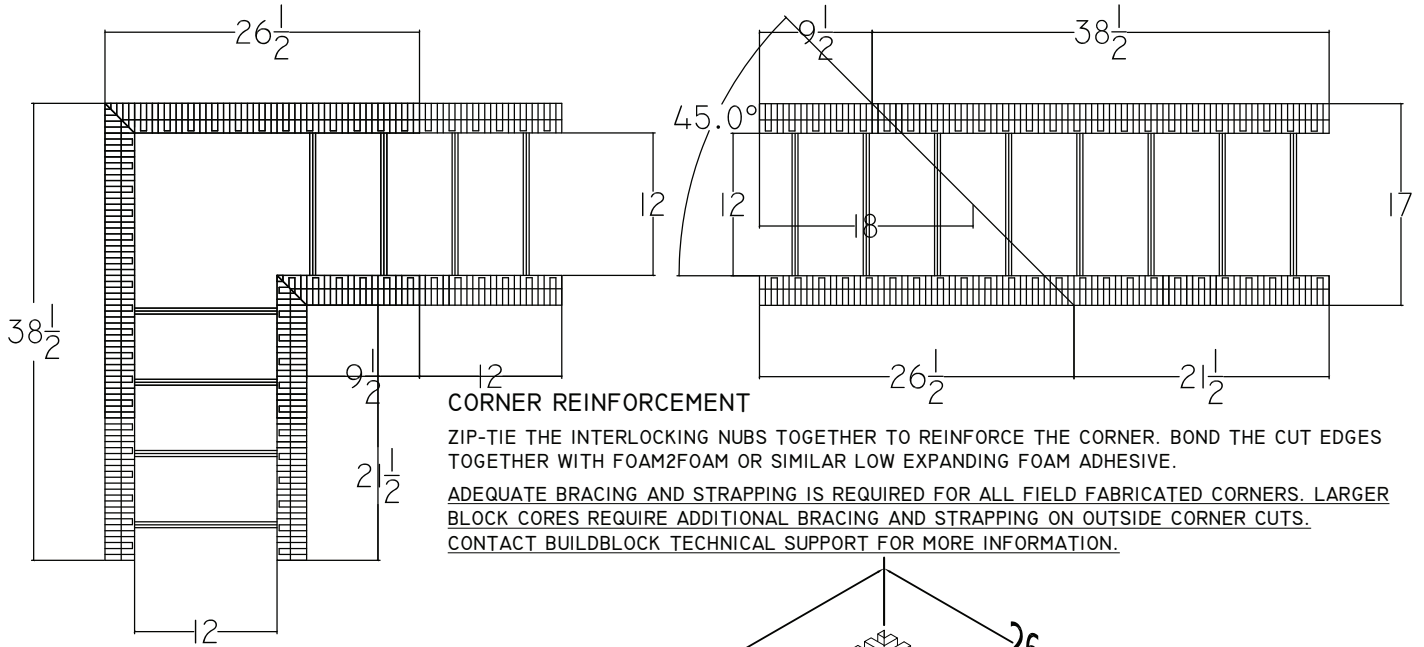
1. MARK THE DIMENSIONS SHOWN BELOW ON THE BLOCK.
2. USING A STRAIGHT EDGE, DRAW A LINE ACROSS THE FORM TO SERVE AS A GUIDELINE.
3. USE A HOT KNIFE OR HAND SAW TO CUT THE FORM.
4. FLIP ONE OF THE HALVES AND ALIGN TO THE CUT EDGES TO MAKE THE MITERED CORNER.
5. FOAM GLUE THE EDGES, ZIP-TIE THE INTERLOCKING NUBS, AND ADD STRAPPING AND BRACING AS REQUIRED.

**NOTE:**

FIELD CUT CORNERS CAN BE EASILY MADE USING THESE DIMENSIONS. THE CUTS ARE DESIGNED TO ALLOW A SUFFICIENT RUNNING BOND FOR THE FORMS.

THESE DIMENSIONS DO NOT MATCH FACTORY CORNERS. CUTS SHOULD BE MADE WITH THE MOST ACCURATE SAW AVAILABLE. FIELD MITERS SHOULD BE REINFORCED WITH WOOD OR METAL STRAPPING AND BRACED ADEQUATELY. SEE THE BUILDBLOCK INSTALLATION & TECHNICAL MANUAL FOR MORE DETAIL ON STRAPPING AND BRACING.

	<b>BB-1045/BL-1045 45° FIELD FABRICATED CORNER</b>			
	DATE/REV	8/2015	SCALE NTS	DETAIL SHEET
	NOTES			
9705 N. BROADWAY EXTENSION, SUITE 200, OKLAHOMA CITY, OK 73114 OFFICE: 405-840-3386   TOLL FREE: 866-222-2575   FAX: 831-597-0792 BUILDBLOCK.COM	CONSTRUCTION SHALL BE IN ACCORDANCE WITH ALL APPLICABLE LOCAL AND NATIONAL CODES. ALL DRAWINGS ARE SUBJECT TO CHANGE WITHOUT NOTICE.		59H	



**CORNER REINFORCEMENT**

ZIP-TIE THE INTERLOCKING NUBS TOGETHER TO REINFORCE THE CORNER. BOND THE CUT EDGES TOGETHER WITH FOAM2FOAM OR SIMILAR LOW EXPANDING FOAM ADHESIVE.

ADEQUATE BRACING AND STRAPPING IS REQUIRED FOR ALL FIELD FABRICATED CORNERS. LARGER BLOCK CORES REQUIRE ADDITIONAL BRACING AND STRAPPING ON OUTSIDE CORNER CUTS. CONTACT BUILDBLOCK TECHNICAL SUPPORT FOR MORE INFORMATION.

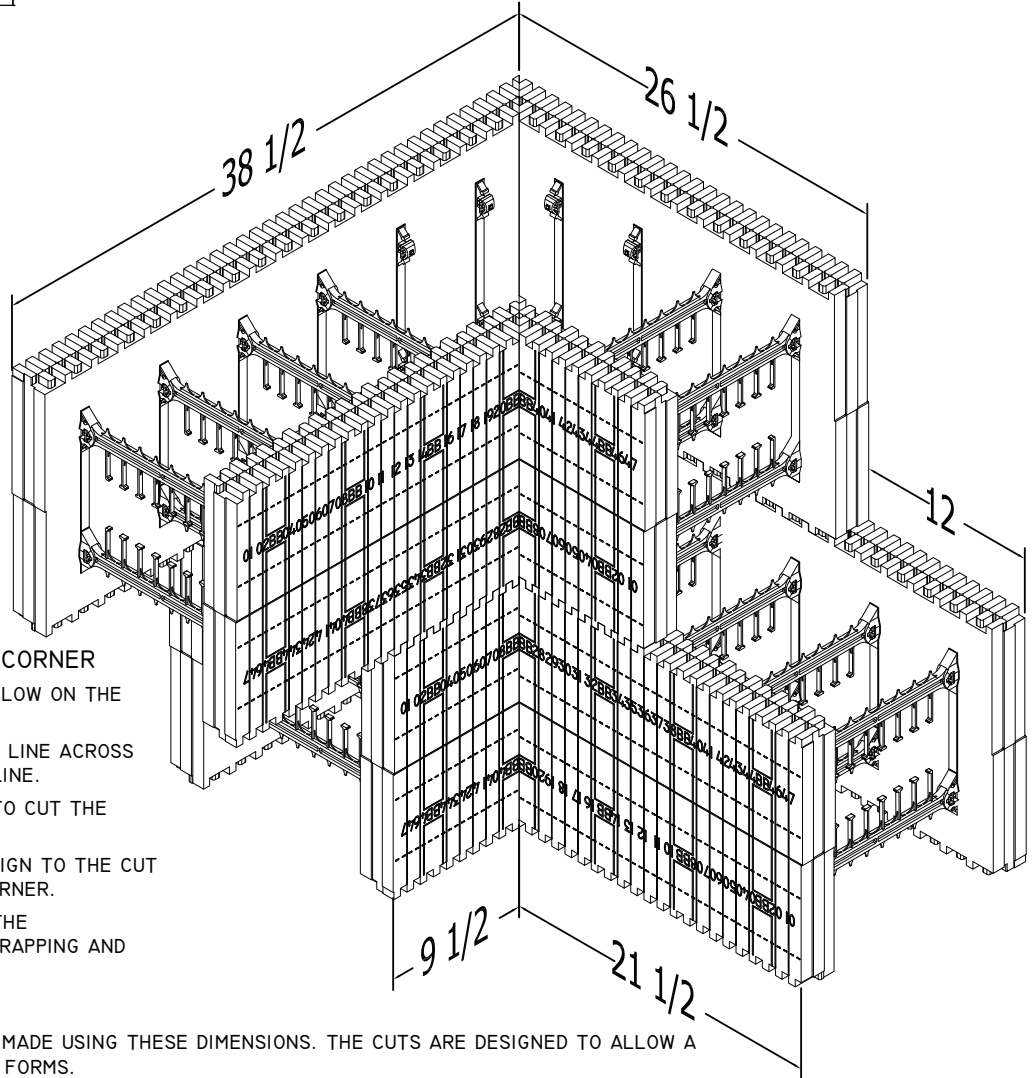
**HOW TO FIELD FABRICATE A CORNER**


1. MARK THE DIMENSIONS SHOWN BELOW ON THE BLOCK.
2. USING A STRAIGHT EDGE, DRAW A LINE ACROSS THE FORM TO SERVE AS A GUIDELINE.
3. USE A HOT KNIFE OR HAND SAW TO CUT THE FORM.
4. FLIP ONE OF THE HALVES AND ALIGN TO THE CUT EDGES TO MAKE THE MITERED CORNER.
5. FOAM GLUE THE EDGES, ZIP-TIE THE INTERLOCKING NUBS, AND ADD STRAPPING AND BRACING AS REQUIRED.

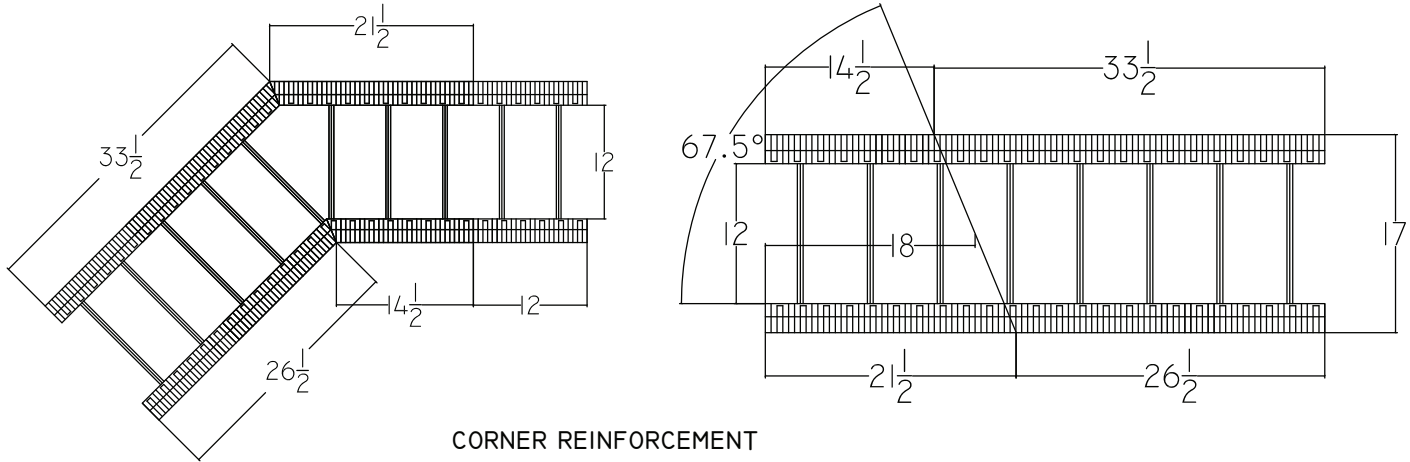
**NOTE:**

FIELD CUT CORNERS CAN BE EASILY MADE USING THESE DIMENSIONS. THE CUTS ARE DESIGNED TO ALLOW A SUFFICIENT RUNNING BOND FOR THE FORMS.

THESE DIMENSIONS DO NOT MATCH FACTORY CORNERS. CUTS SHOULD BE MADE WITH THE MOST ACCURATE SAW AVAILABLE. FIELD MITERS SHOULD BE REINFORCED WITH WOOD OR METAL STRAPPING AND BRACED ADEQUATELY. SEE THE BUILDBLOCK INSTALLATION & TECHNICAL MANUAL FOR MORE DETAIL ON STRAPPING AND BRACING.



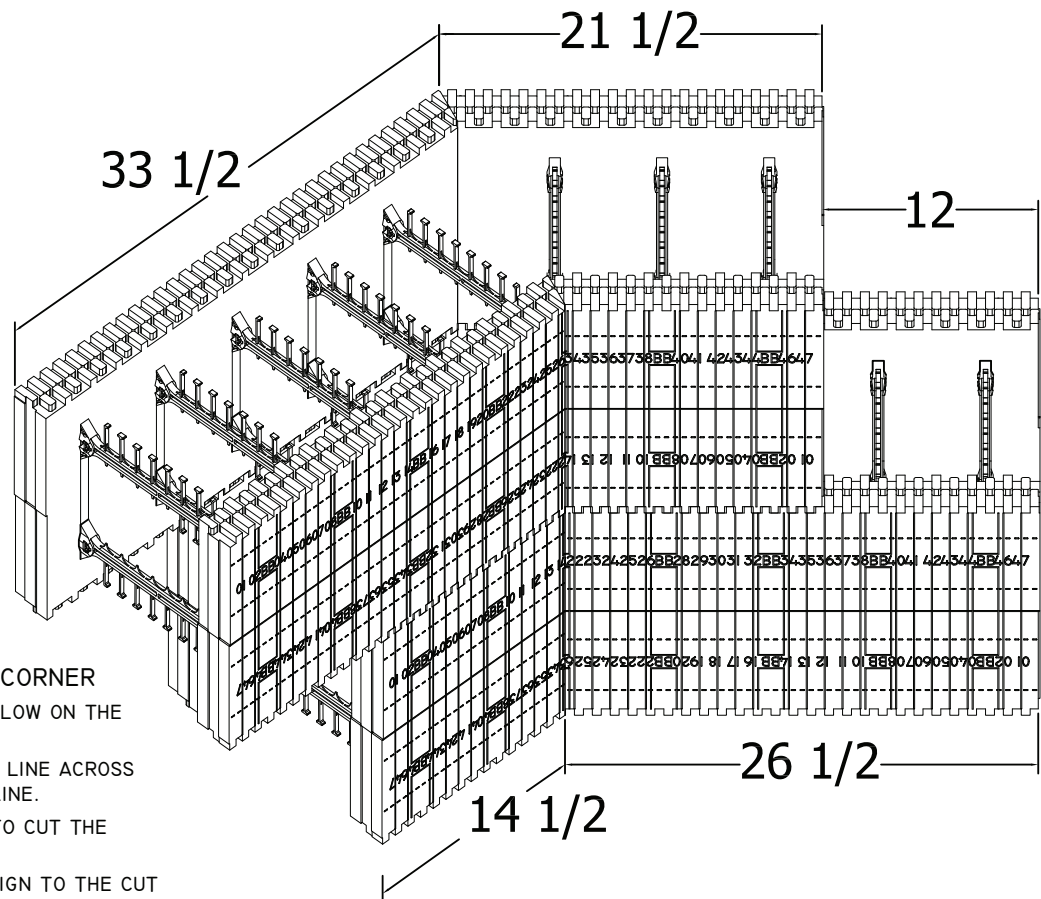
	<b>BB-1200/BL-1200 90° FIELD FABRICATED CORNER</b>		
	DATE/REV	8/2015	SCALE
NOTES			
9705 N. BROADWAY EXTENSION, SUITE 200, OKLAHOMA CITY, OK 73114 OFFICE: 405-840-3386   TOLL FREE: 866-222-2575   FAX: 831-597-0792 BUILDBLOCK.COM	CONSTRUCTION SHALL BE IN ACCORDANCE WITH ALL APPLICABLE LOCAL AND NATIONAL CODES. ALL DRAWINGS ARE SUBJECT TO CHANGE WITHOUT NOTICE.		
	<b>591</b>		



**CORNER REINFORCEMENT**

ZIP-TIE THE INTERLOCKING NUBS TOGETHER TO REINFORCE THE CORNER. BOND THE CUT EDGES TOGETHER WITH FOAM2FOAM OR SIMILAR LOW EXPANDING FOAM ADHESIVE.

ADEQUATE BRACING AND STRAPPING IS REQUIRED FOR ALL FIELD FABRICATED CORNERS. LARGER BLOCK CORES REQUIRE ADDITIONAL BRACING AND STRAPPING ON OUTSIDE CORNER CUTS. CONTACT BUILDBLOCK TECHNICAL SUPPORT FOR MORE INFORMATION.



**HOW TO FIELD FABRICATE A CORNER**

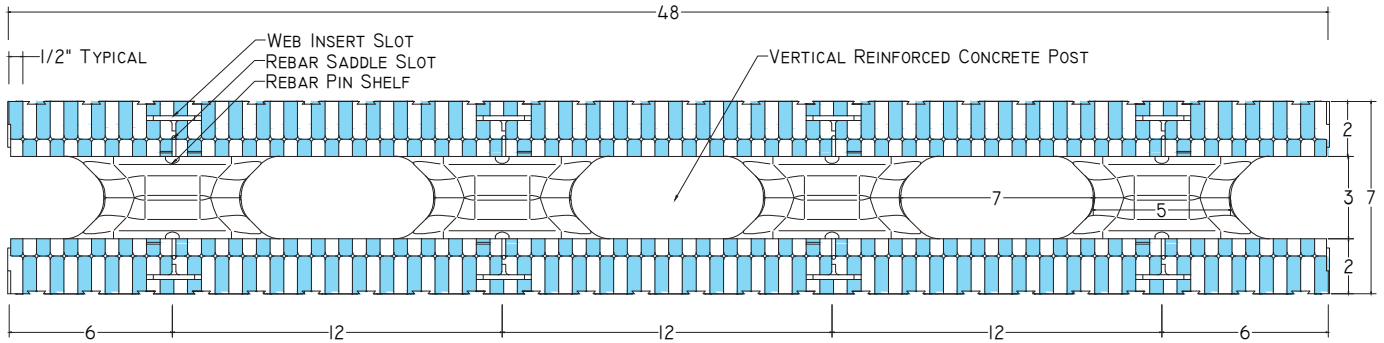
1. MARK THE DIMENSIONS SHOWN BELOW ON THE BLOCK.
2. USING A STRAIGHT EDGE, DRAW A LINE ACROSS THE FORM TO SERVE AS A GUIDELINE.
3. USE A HOT KNIFE OR HAND SAW TO CUT THE FORM.
4. FLIP ONE OF THE HALVES AND ALIGN TO THE CUT EDGES TO MAKE THE MITERED CORNER.
5. FOAM GLUE THE EDGES, ZIP-TIE THE INTERLOCKING NUBS, AND ADD STRAPPING AND BRACING AS REQUIRED.

**NOTE:**

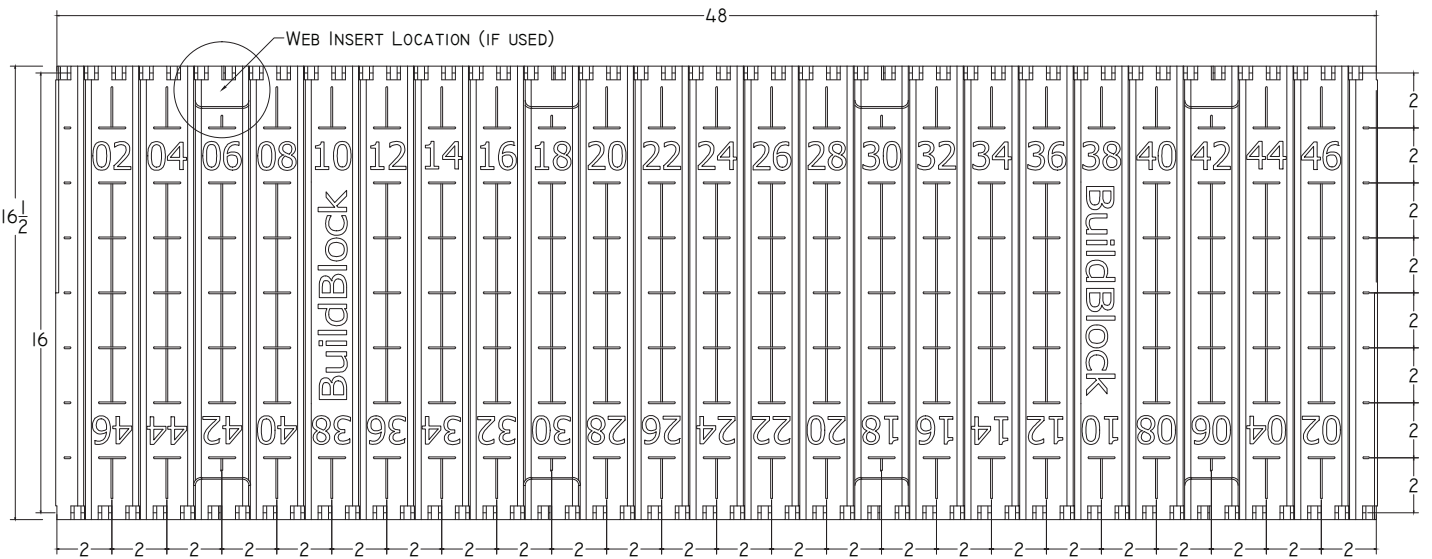
FIELD CUT CORNERS CAN BE EASILY MADE USING THESE DIMENSIONS. THE CUTS ARE DESIGNED TO ALLOW A SUFFICIENT RUNNING BOND FOR THE FORMS.

THESE DIMENSIONS DO NOT MATCH FACTORY CORNERS. CUTS SHOULD BE MADE WITH THE MOST ACCURATE SAW AVAILABLE. FIELD MITERS SHOULD BE REINFORCED WITH WOOD OR METAL STRAPPING AND BRACED ADEQUATELY. SEE THE BUILDBLOCK INSTALLATION & TECHNICAL MANUAL FOR MORE DETAIL ON STRAPPING AND BRACING.

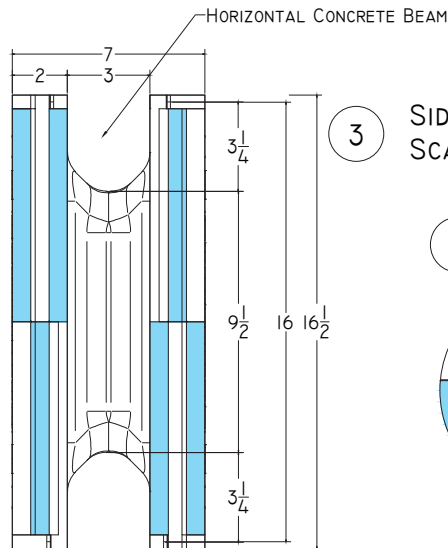
	<b>BB-1245/BL-1245 45° FIELD FABRICATED CORNER</b>		
	DATE/REV	8/2015	SCALE
NOTES			59J
9705 N. BROADWAY EXTENSION, SUITE 200, OKLAHOMA CITY, OK 73114 OFFICE: 405-840-3386   TOLL FREE: 866-222-2575   FAX: 831-597-0792 BUILDBLOCK.COM	CONSTRUCTION SHALL BE IN ACCORDANCE WITH ALL APPLICABLE LOCAL AND NATIONAL CODES. ALL DRAWINGS ARE SUBJECT TO CHANGE WITHOUT NOTICE.		



1 TOP / BOTTOM VIEW (REVERSIBLE)  
 SCALE: NTS

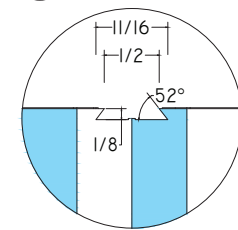


2 FRONT VIEW  
 SCALE: NTS




3 SIDE VIEW  
 SCALE: NTS

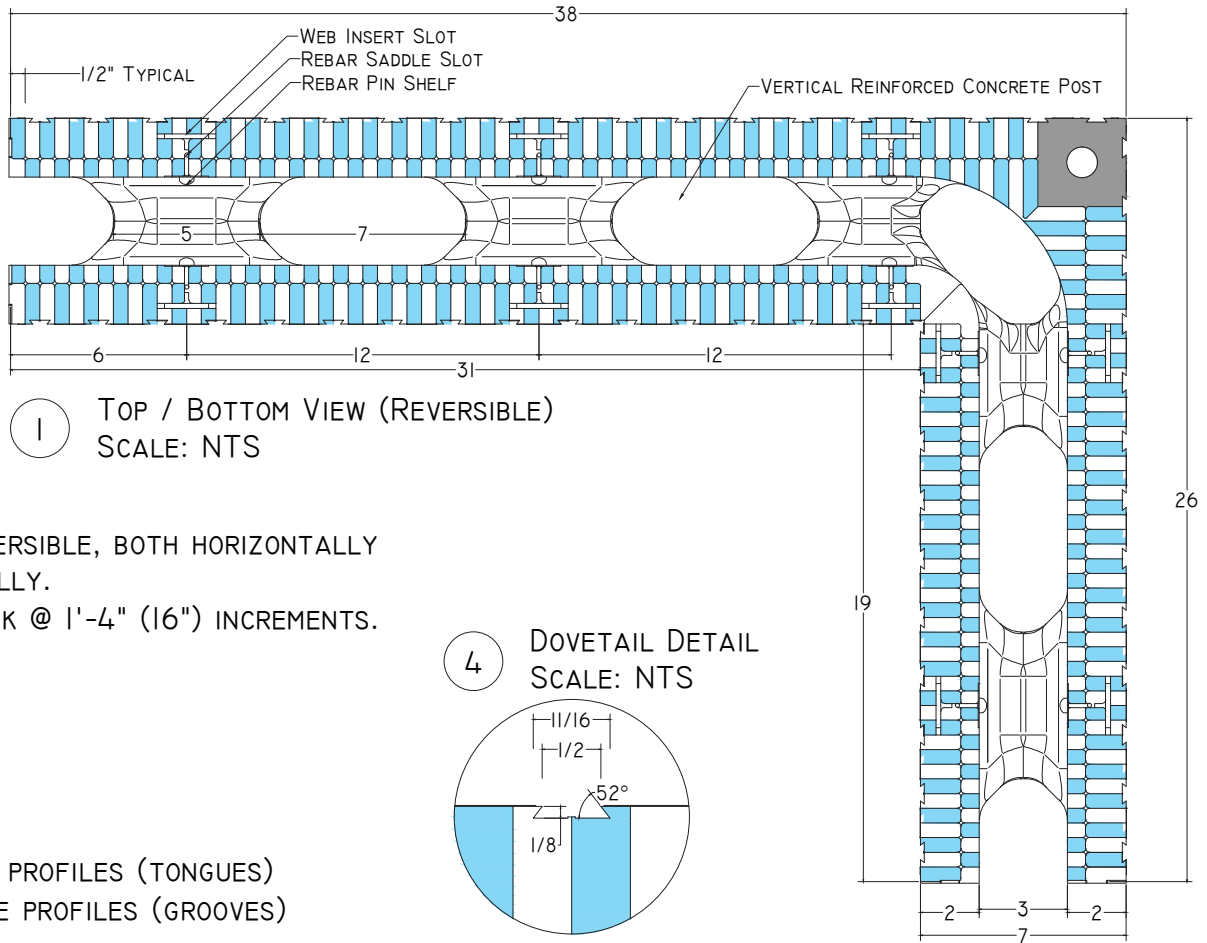
4 DOVETAIL DETAIL  
 SCALE: NTS



NOTE:  
 FORM IS REVERSIBLE, BOTH HORIZONTALLY  
 AND VERTICALLY.  
 BLOCKS STACK @ 1'-4" (16") INCREMENTS.

LEGEND:  
 ■ = POSITIVE PROFILES (TONGUES)  
 □ = NEGATIVE PROFILES (GROOVES)

	<b>GLOBALBLOCK ALL FOAM ICF 3" STRAIGHT BLOCK</b>		DATE/REV 9/2015	SCALE NTS	DETAIL SHEET
	NOTES		<div style="text-align: right; font-size: 2em; font-weight: bold;">60A</div>		
9705 N. BROADWAY EXTENSION, SUITE 200, OKLAHOMA CITY, OK 73114 OFFICE: 405-840-3386   TOLL FREE: 866-222-2575   FAX: 831-597-0792 BUILDBLOCK.COM		CONSTRUCTION SHALL BE IN ACCORDANCE WITH ALL APPLICABLE LOCAL AND NATIONAL CODES. ALL DRAWINGS ARE SUBJECT TO CHANGE WITHOUT NOTICE.			



1 TOP / BOTTOM VIEW (REVERSIBLE)  
 SCALE: NTS

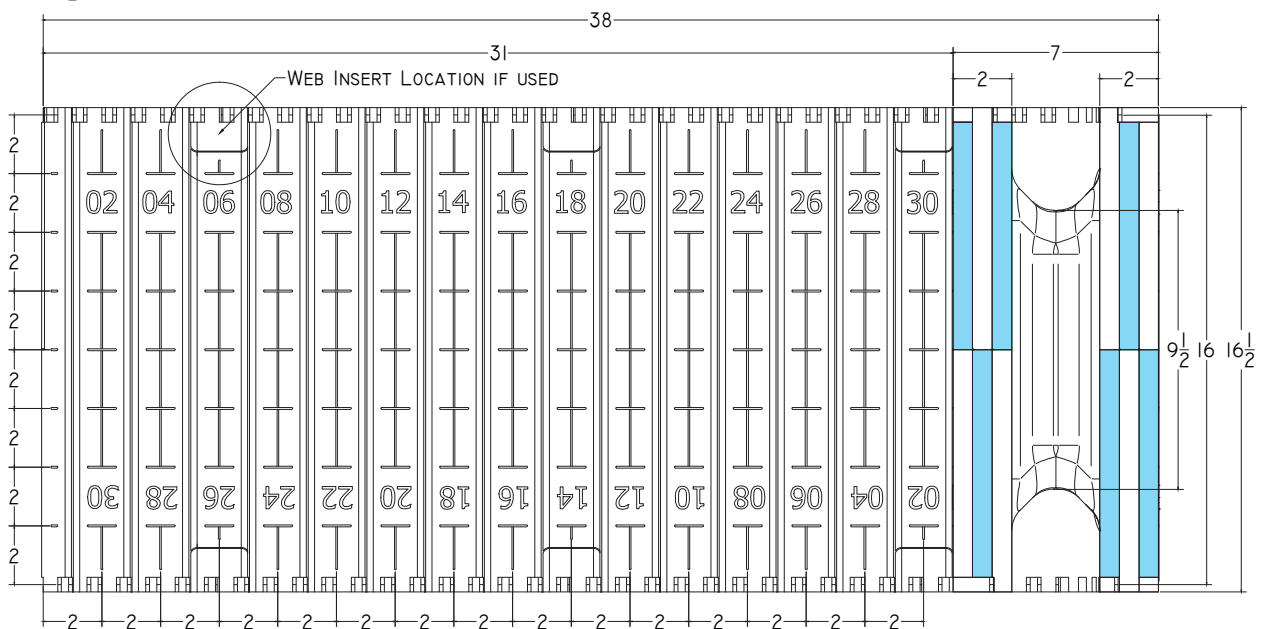
NOTE:  
 FORM IS REVERSIBLE, BOTH HORIZONTALLY  
 AND VERTICALLY.  
 BLOCKS STACK @ 1'-4" (16") INCREMENTS.

4 DOVETAIL DETAIL  
 SCALE: NTS

LEGEND:

- = POSITIVE PROFILES (TONGUES)
- = NEGATIVE PROFILES (GROOVES)

2 FRONT VIEW  
 SCALE: NTS



9705 N. BROADWAY EXTENSION, SUITE 200, OKLAHOMA CITY, OK 73114  
 OFFICE: 405-840-3386 | TOLL FREE: 866-222-2575 | FAX: 831-597-0792  
 BUILDBLOCK.COM

GLOBALBLOCK ALL FOAM ICF 3" 90° CORNER BLOCK

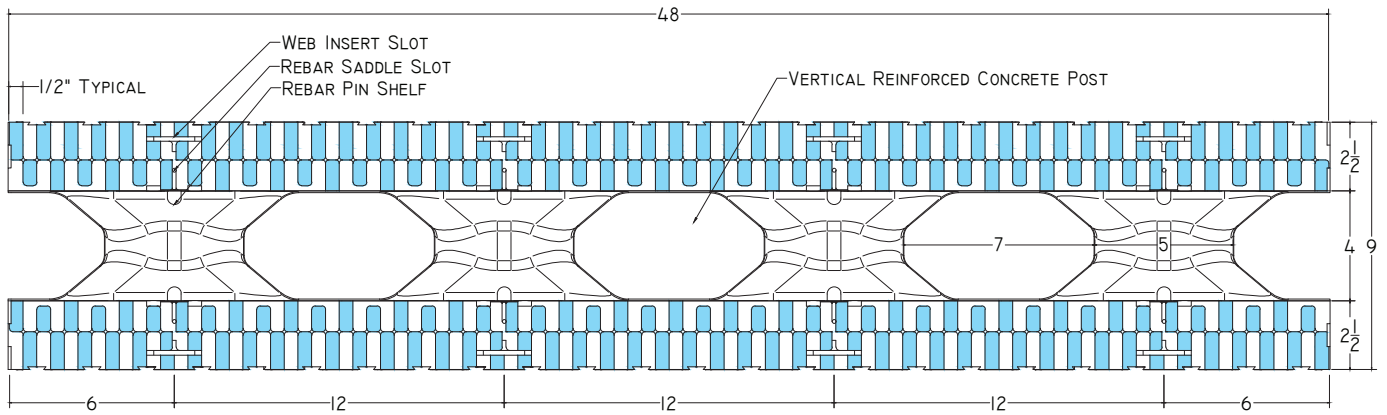
DATE/REV 9/2015 SCALE NTS

DETAIL SHEET

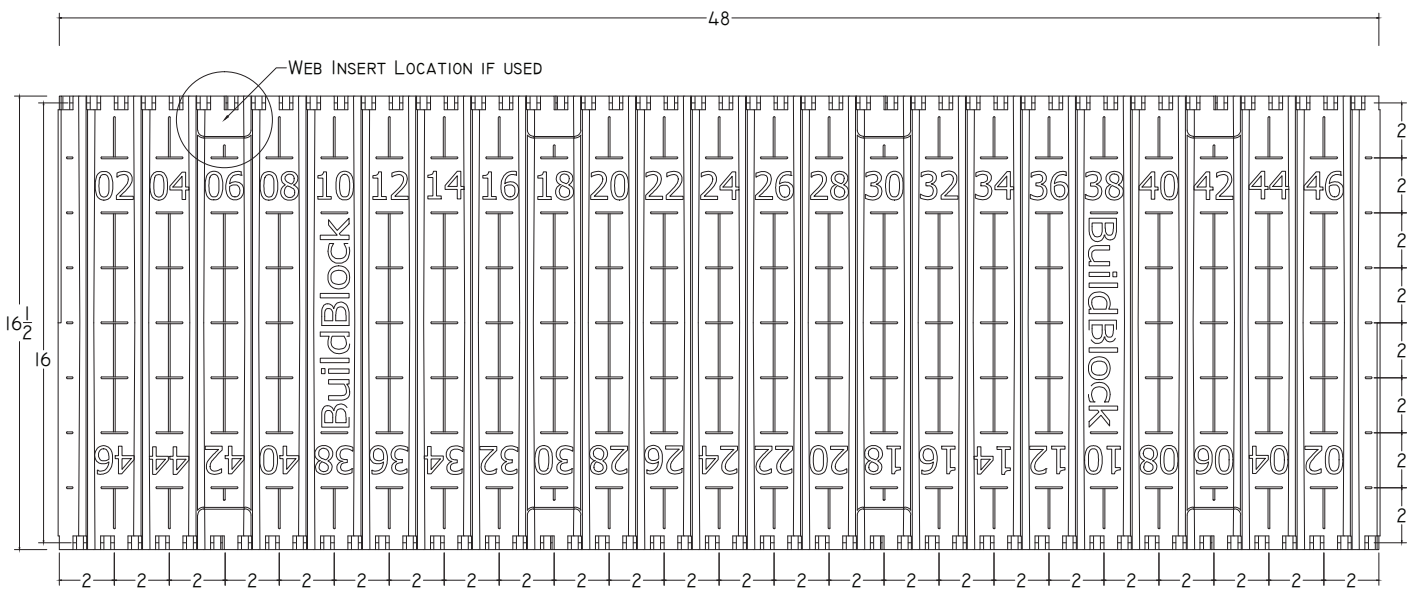
NOTES

CONSTRUCTION SHALL BE IN ACCORDANCE WITH ALL APPLICABLE  
 LOCAL AND NATIONAL CODES. ALL DRAWINGS ARE SUBJECT TO  
 CHANGE WITHOUT NOTICE.

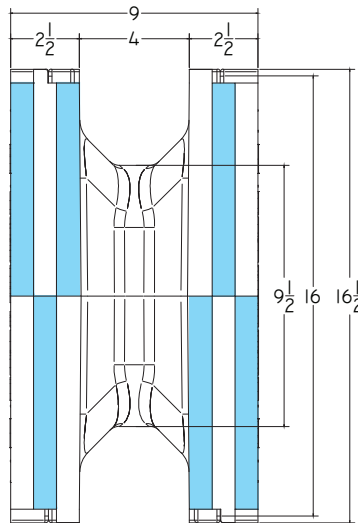
**60B**



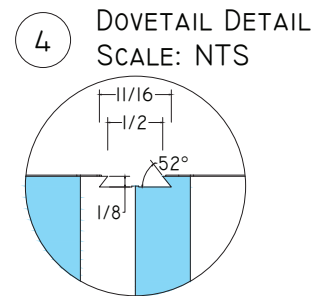
1 TOP / BOTTOM VIEW (REVERSIBLE)  
 SCALE: NTS



2 FRONT VIEW  
 SCALE: NTS




3 SIDE VIEW  
 SCALE: NTS

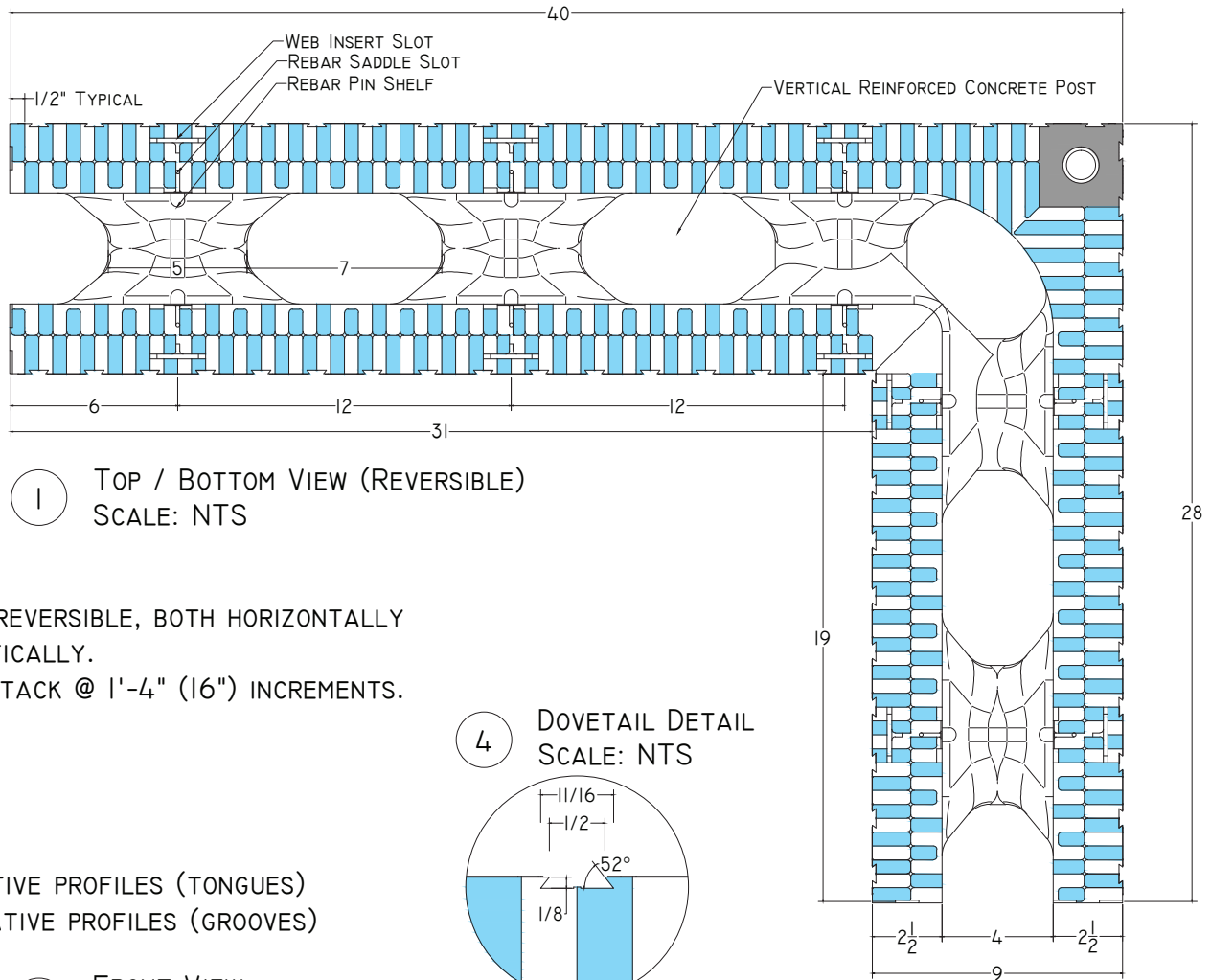


4 DOVETAIL DETAIL  
 SCALE: NTS

NOTE:  
 FORM IS REVERSIBLE, BOTH HORIZONTALLY  
 AND VERTICALLY.  
 BLOCKS STACK @ 1'-4" (16") INCREMENTS.

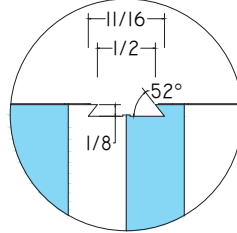
LEGEND:  
 ■ = POSITIVE PROFILES (TONGUES)  
 □ = NEGATIVE PROFILES (GROOVES)

	<b>GLOBALBLOCK ALL FOAM ICF 4" STRAIGHT BLOCK</b>		
	DATE/REV 9/2015	SCALE NTS	DETAIL SHEET
	NOTES		<b>60C</b>
9705 N. BROADWAY EXTENSION, SUITE 200, OKLAHOMA CITY, OK 73114 OFFICE: 405-840-3386   TOLL FREE: 866-222-2575   FAX: 831-597-0792 BUILDBLOCK.COM		CONSTRUCTION SHALL BE IN ACCORDANCE WITH ALL APPLICABLE LOCAL AND NATIONAL CODES. ALL DRAWINGS ARE SUBJECT TO CHANGE WITHOUT NOTICE.	



1 TOP / BOTTOM VIEW (REVERSIBLE)  
 SCALE: NTS

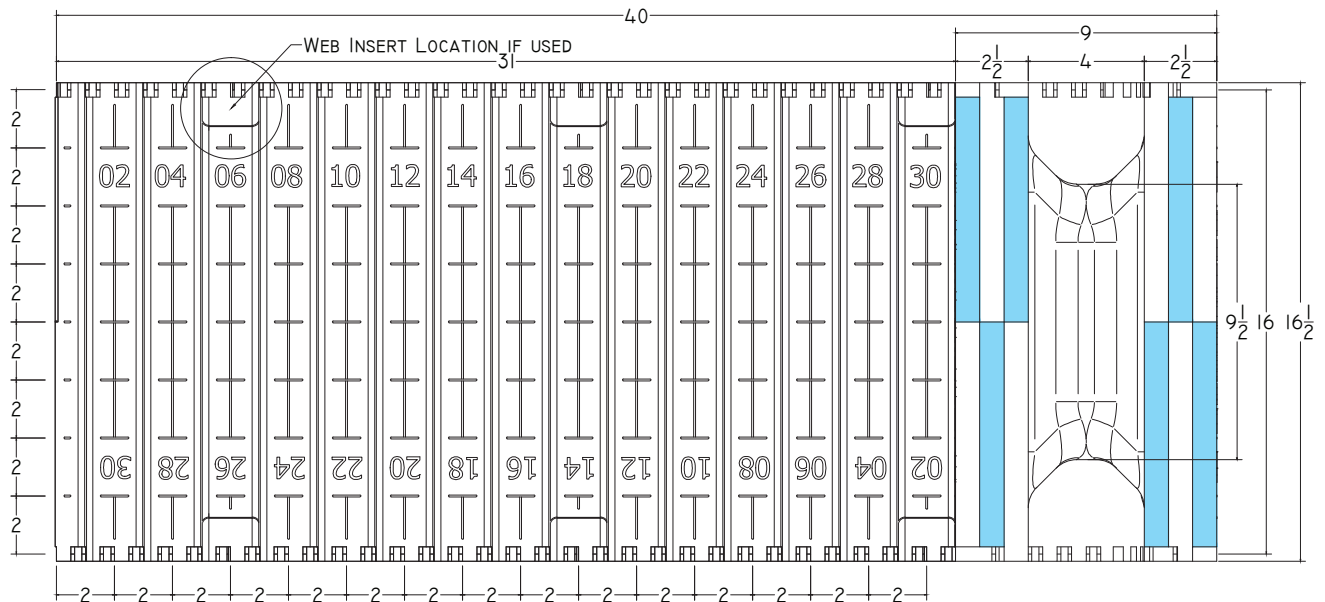
4 DOVETAIL DETAIL  
 SCALE: NTS




NOTE:  
 FORM IS REVERSIBLE, BOTH HORIZONTALLY  
 AND VERTICALLY.  
 BLOCKS STACK @ 1'-4" (16") INCREMENTS.

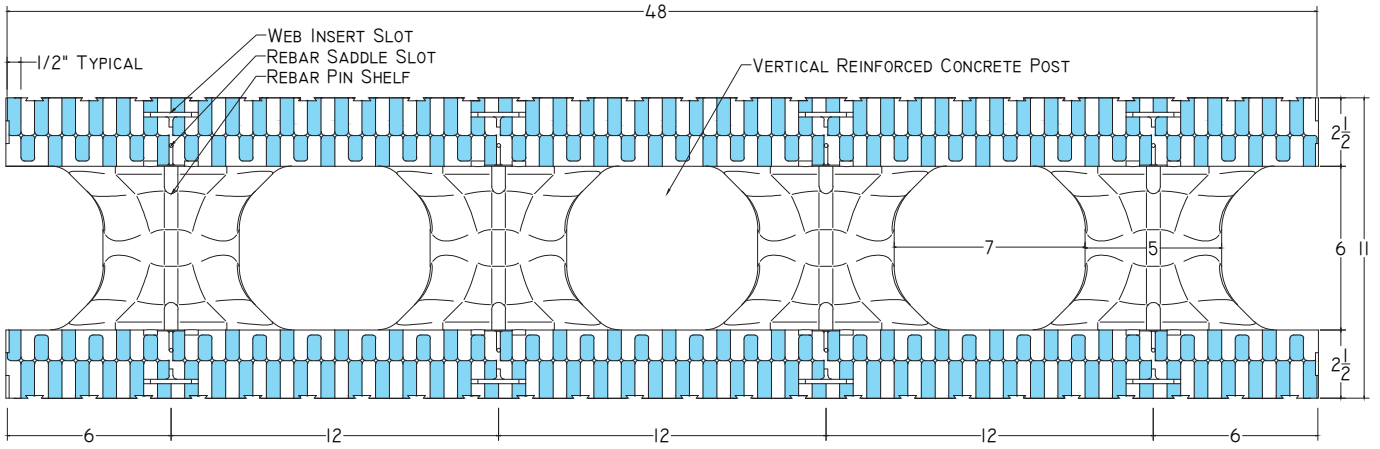
LEGEND:  
 ■ = POSITIVE PROFILES (TONGUES)  
 □ = NEGATIVE PROFILES (GROOVES)

2 FRONT VIEW  
 SCALE: NTS

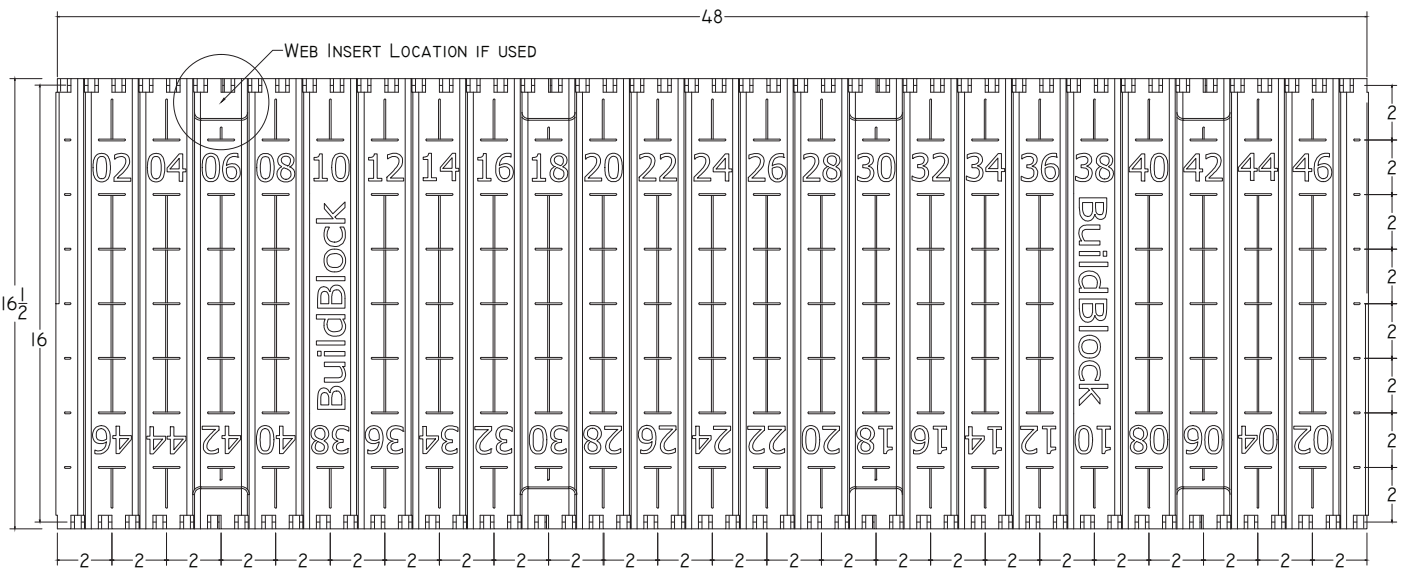


	<b>GLOBALBLOCK ALL FOAM ICF 4" 90° CORNER BLOCK</b>			
	DATE/REV	9/2015	SCALE NTS	DETAIL SHEET
	NOTES			<h1>60D</h1>
9705 N. BROADWAY EXTENSION, SUITE 200, OKLAHOMA CITY, OK 73114 OFFICE: 405-840-3386   TOLL FREE: 866-222-2575   FAX: 831-597-0792 BUILDBLOCK.COM			CONSTRUCTION SHALL BE IN ACCORDANCE WITH ALL APPLICABLE LOCAL AND NATIONAL CODES. ALL DRAWINGS ARE SUBJECT TO CHANGE WITHOUT NOTICE.	

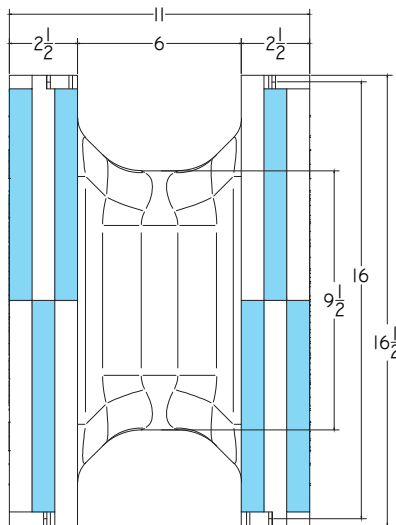




1 TOP / BOTTOM VIEW (REVERSIBLE)  
 SCALE: NTS

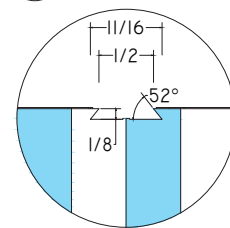


2 FRONT VIEW  
 SCALE: NTS



3 SIDE VIEW  
 SCALE: NTS

4 DOVETAIL DETAIL  
 SCALE: NTS



NOTE:  
 FORM IS REVERSIBLE, BOTH HORIZONTALLY AND VERTICALLY.  
 BLOCKS STACK @ 1'-4" (16") INCREMENTS.

LEGEND:  
 ■ = POSITIVE PROFILES (TONGUES)  
 □ = NEGATIVE PROFILES (GROOVES)



GLOBALBLOCK ALL FOAM ICF 6" STRAIGHT BLOCK

DATE/REV 9/2015 SCALE NTS

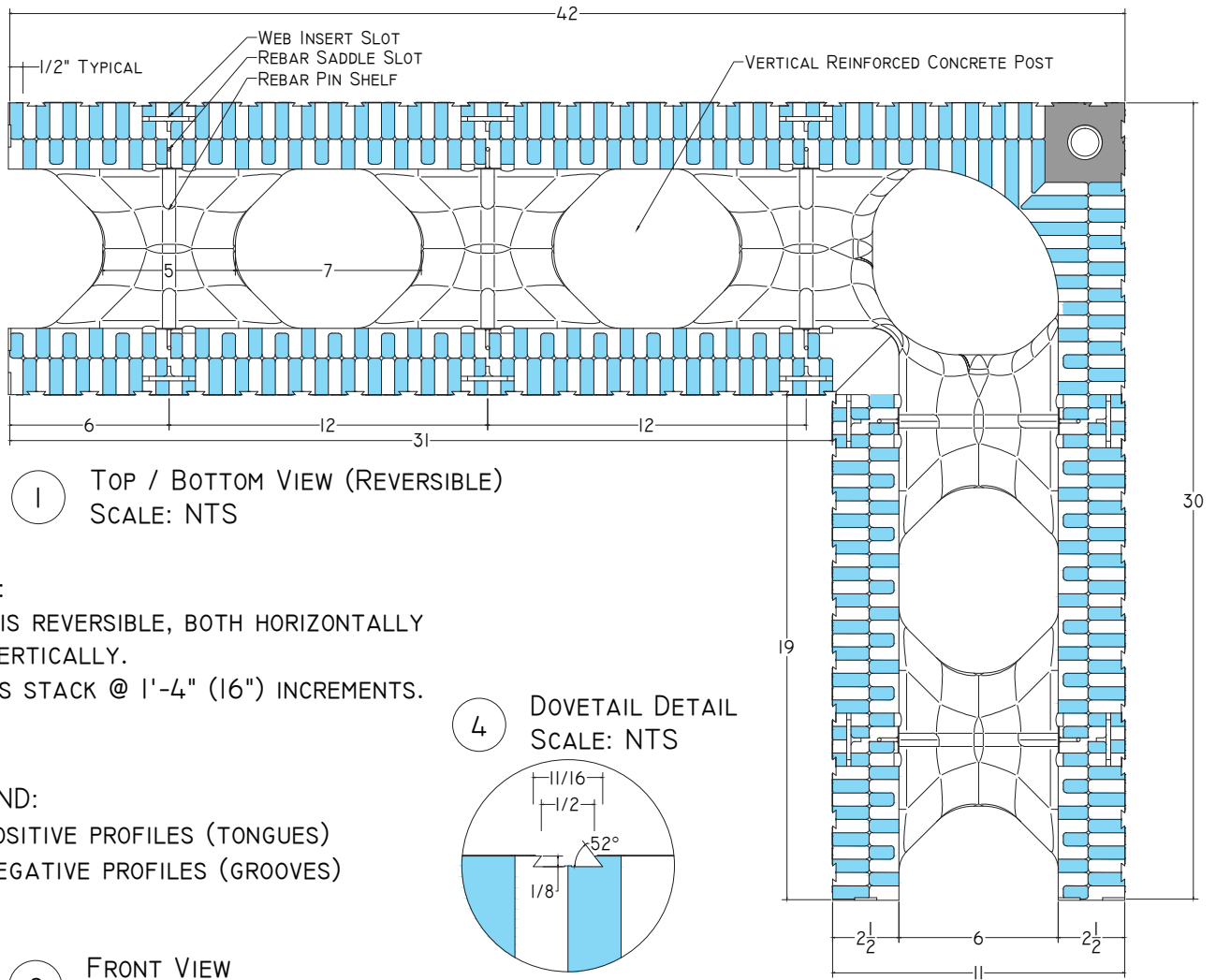
DETAIL SHEET

NOTES

9705 N. BROADWAY EXTENSION, SUITE 200, OKLAHOMA CITY, OK 73114  
 OFFICE: 405-840-3386 | TOLL FREE: 866-222-2575 | FAX: 831-597-0792  
 BUILDBLOCK.COM

CONSTRUCTION SHALL BE IN ACCORDANCE WITH ALL APPLICABLE LOCAL AND NATIONAL CODES. ALL DRAWINGS ARE SUBJECT TO CHANGE WITHOUT NOTICE.

60E



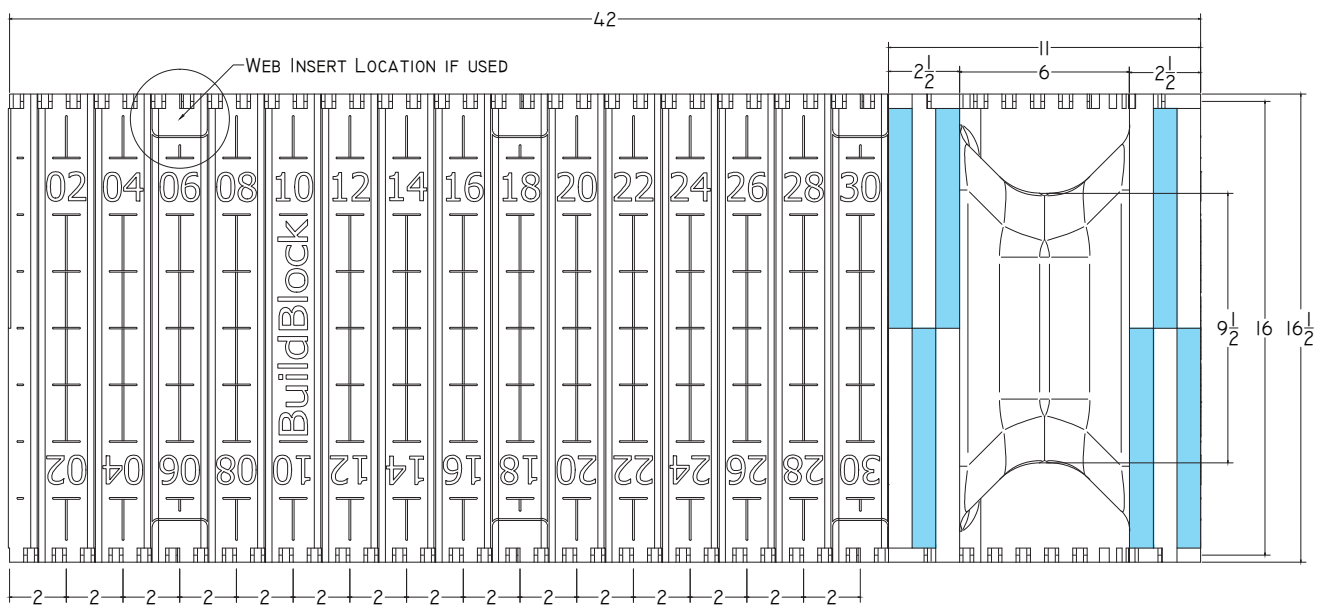
1 TOP / BOTTOM VIEW (REVERSIBLE)  
 SCALE: NTS

NOTE:  
 FORM IS REVERSIBLE, BOTH HORIZONTALLY  
 AND VERTICALLY.  
 BLOCKS STACK @ 1'-4" (16") INCREMENTS.

4 DOVETAIL DETAIL  
 SCALE: NTS

LEGEND:  
 ■ = POSITIVE PROFILES (TONGUES)  
 □ = NEGATIVE PROFILES (GROOVES)

2 FRONT VIEW  
 SCALE: NTS



GLOBALBLOCK ALL FOAM ICF 6" 90° CORNER BLOCK

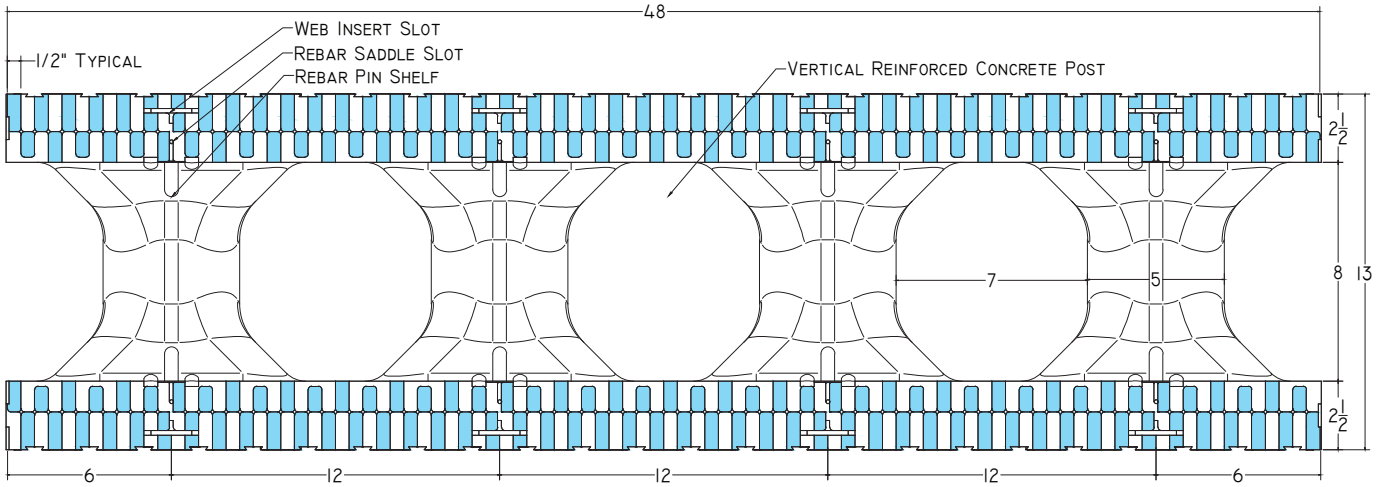
DATE/REV	9/2015	SCALE	NTS	DETAIL SHEET
----------	--------	-------	-----	--------------

NOTES

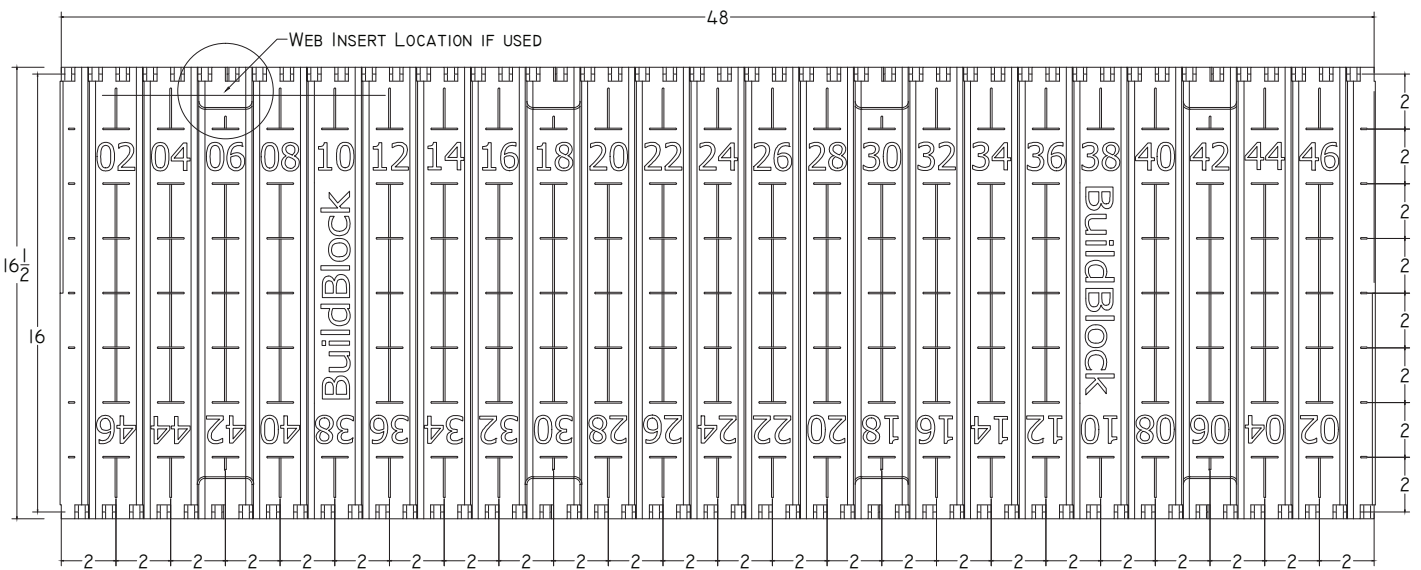
9705 N. BROADWAY EXTENSION, SUITE 200, OKLAHOMA CITY, OK 73114  
 OFFICE: 405-840-3386 | TOLL FREE: 866-222-2575 | FAX: 831-597-0792  
 BUILDBLOCK.COM

CONSTRUCTION SHALL BE IN ACCORDANCE WITH ALL APPLICABLE  
 LOCAL AND NATIONAL CODES. ALL DRAWINGS ARE SUBJECT TO  
 CHANGE WITHOUT NOTICE.

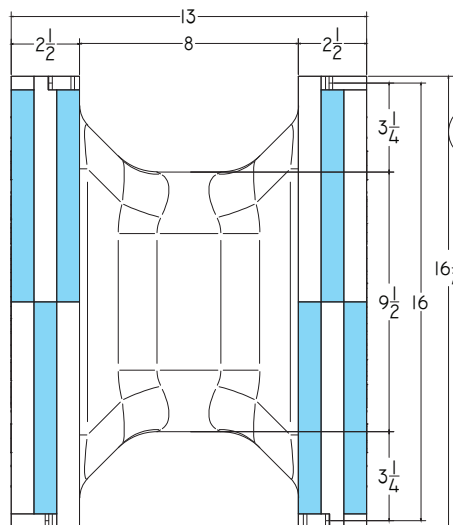
60F



1 TOP / BOTTOM VIEW (REVERSIBLE)  
 SCALE: NTS

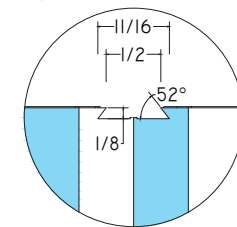


2 FRONT VIEW  
 SCALE: NTS





3 SIDE VIEW  
 SCALE: NTS

4 DOVETAIL DETAIL  
 SCALE: NTS



NOTE:  
 FORM IS REVERSIBLE, BOTH HORIZONTALLY  
 AND VERTICALLY.  
 BLOCKS STACK @ 1'-4" (16") INCREMENTS.

LEGEND:  
 = POSITIVE PROFILES (TONGUES)  
 = NEGATIVE PROFILES (GROOVES)



GLOBALBLOCK ALL FOAM ICF 8" STRAIGHT BLOCK

DATE/REV 9/2015 SCALE NTS

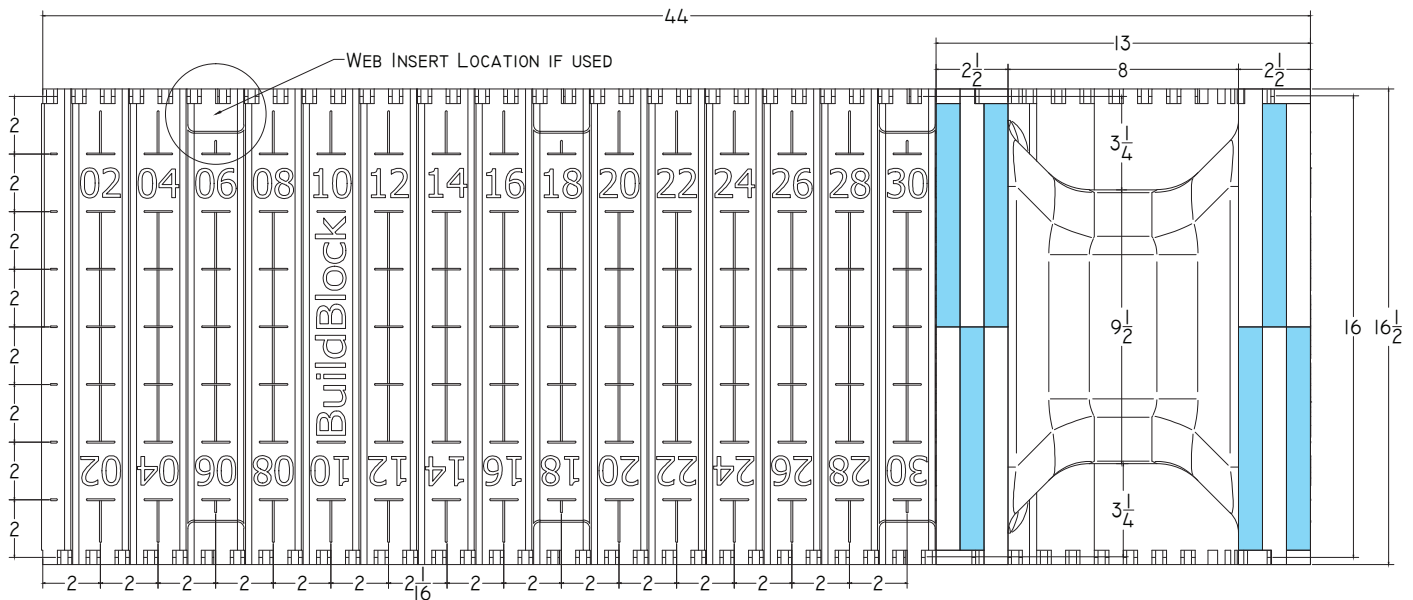
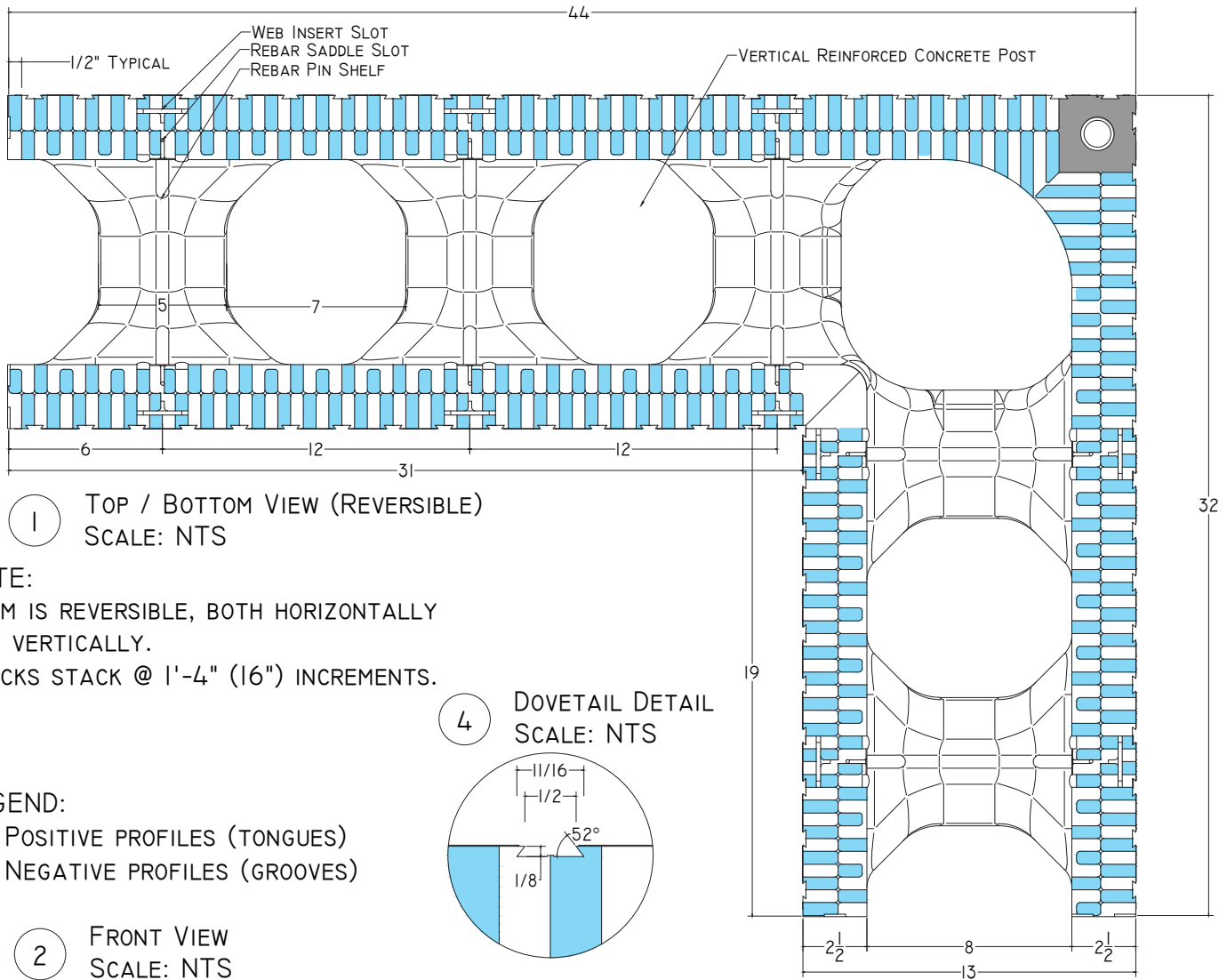
DETAIL SHEET


NOTES

9705 N. BROADWAY EXTENSION, SUITE 200, OKLAHOMA CITY, OK 73114  
 OFFICE: 405-840-3386 | TOLL FREE: 866-222-2575 | FAX: 831-597-0792  
 BUILDBLOCK.COM

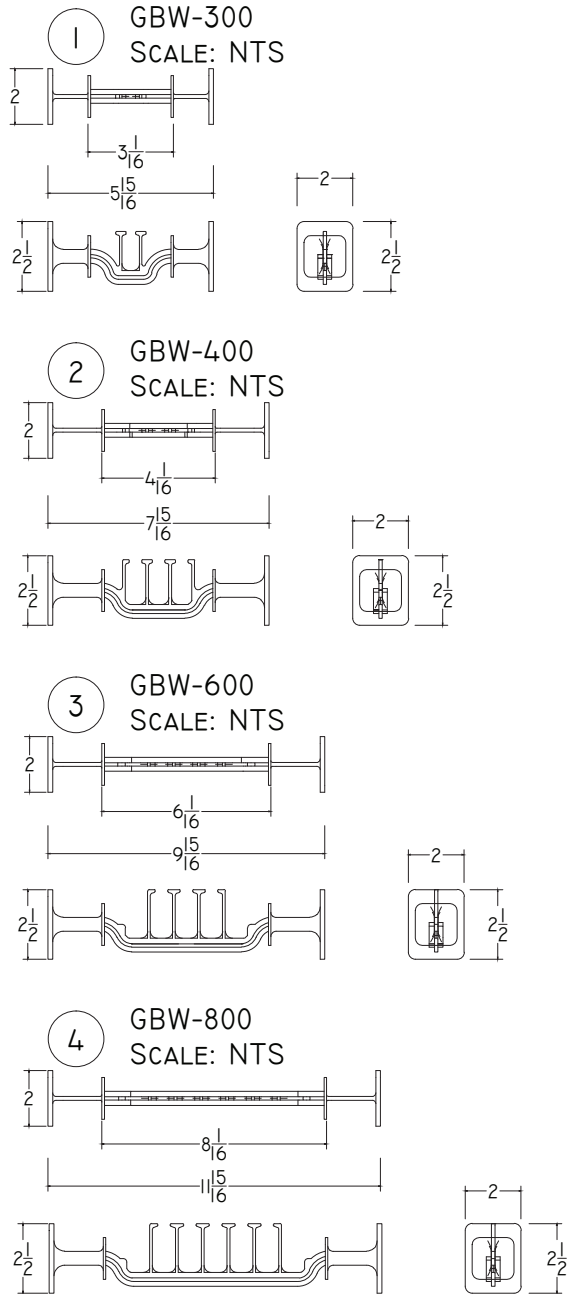
CONSTRUCTION SHALL BE IN ACCORDANCE WITH ALL APPLICABLE  
 LOCAL AND NATIONAL CODES. ALL DRAWINGS ARE SUBJECT TO  
 CHANGE WITHOUT NOTICE.

60G

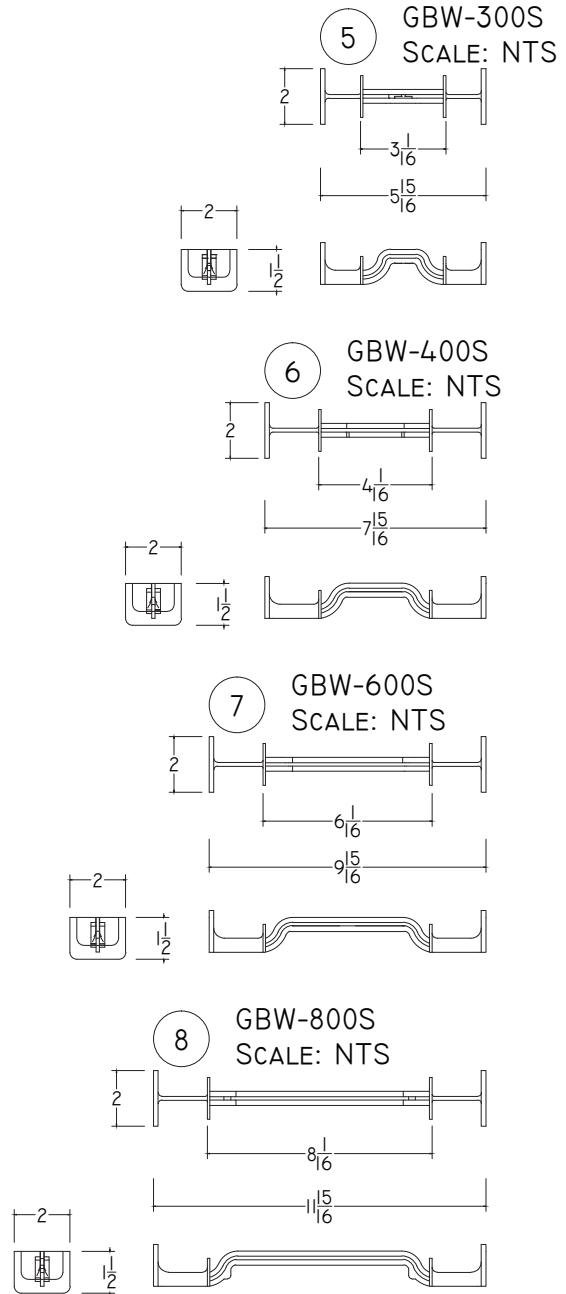



	<b>GLOBALBLOCK ALL FOAM ICF 8" 90° CORNER BLOCK</b>		
	DATE/REV 9/2015	SCALE NTS	DETAIL SHEET
9705 N. BROADWAY EXTENSION, SUITE 200, OKLAHOMA CITY, OK 73114 OFFICE: 405-840-3386   TOLL FREE: 866-222-2575   FAX: 831-597-0792 BUILDBLOCK.COM	CONSTRUCTION SHALL BE IN ACCORDANCE WITH ALL APPLICABLE LOCAL AND NATIONAL CODES. ALL DRAWINGS ARE SUBJECT TO CHANGE WITHOUT NOTICE.		<h1>60H</h1>

## GLOBALBLOCK WEB INSERTS

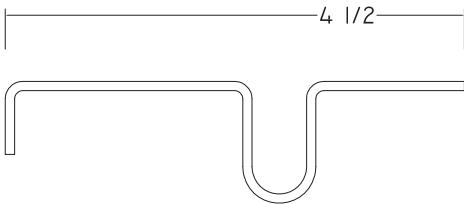


## GLOBALBLOCK STARTER INSERTS



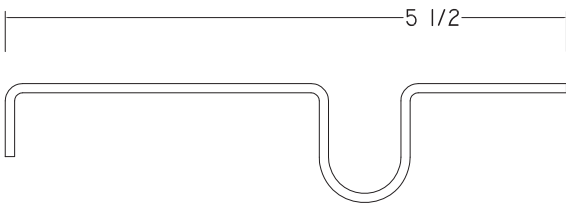
	<b>GLOBALBLOCK WEB INSERTS DETAIL</b>			DETAIL SHEET
	DATE/REV	9/2015	SCALE	NTS
	NOTES	CONSTRUCTION SHALL BE IN ACCORDANCE WITH ALL APPLICABLE LOCAL AND NATIONAL CODES. ALL DRAWINGS ARE SUBJECT TO CHANGE WITHOUT NOTICE.		
9705 N. BROADWAY EXTENSION, SUITE 200, OKLAHOMA CITY, OK 73114 OFFICE: 405-840-3386   TOLL FREE: 866-222-2575   FAX: 831-597-0792 BUILDBLOCK.COM	<span style="font-size: 48pt; font-weight: bold;">601</span>			

# GLOBALBLOCK REBAR SADDLES



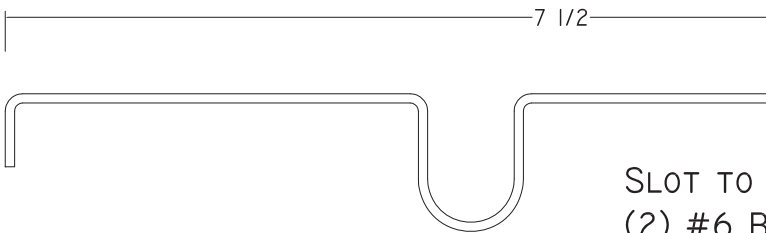
SLOT TO HOLD UP TO  
 (2) #4 BARS

① GB-300RS  
 SCALE: NTS



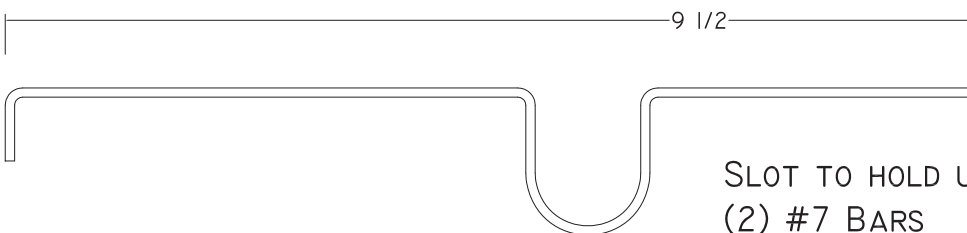
SLOT TO HOLD UP TO  
 (2) #5 BARS

② GBW-400RS  
 SCALE: NTS




SLOT TO HOLD UP TO  
 (2) #6 BARS

③ GBW-600RS  
 SCALE: NTS



SLOT TO HOLD UP TO  
 (2) #7 BARS

④ GBW-800RS  
 SCALE: NTS

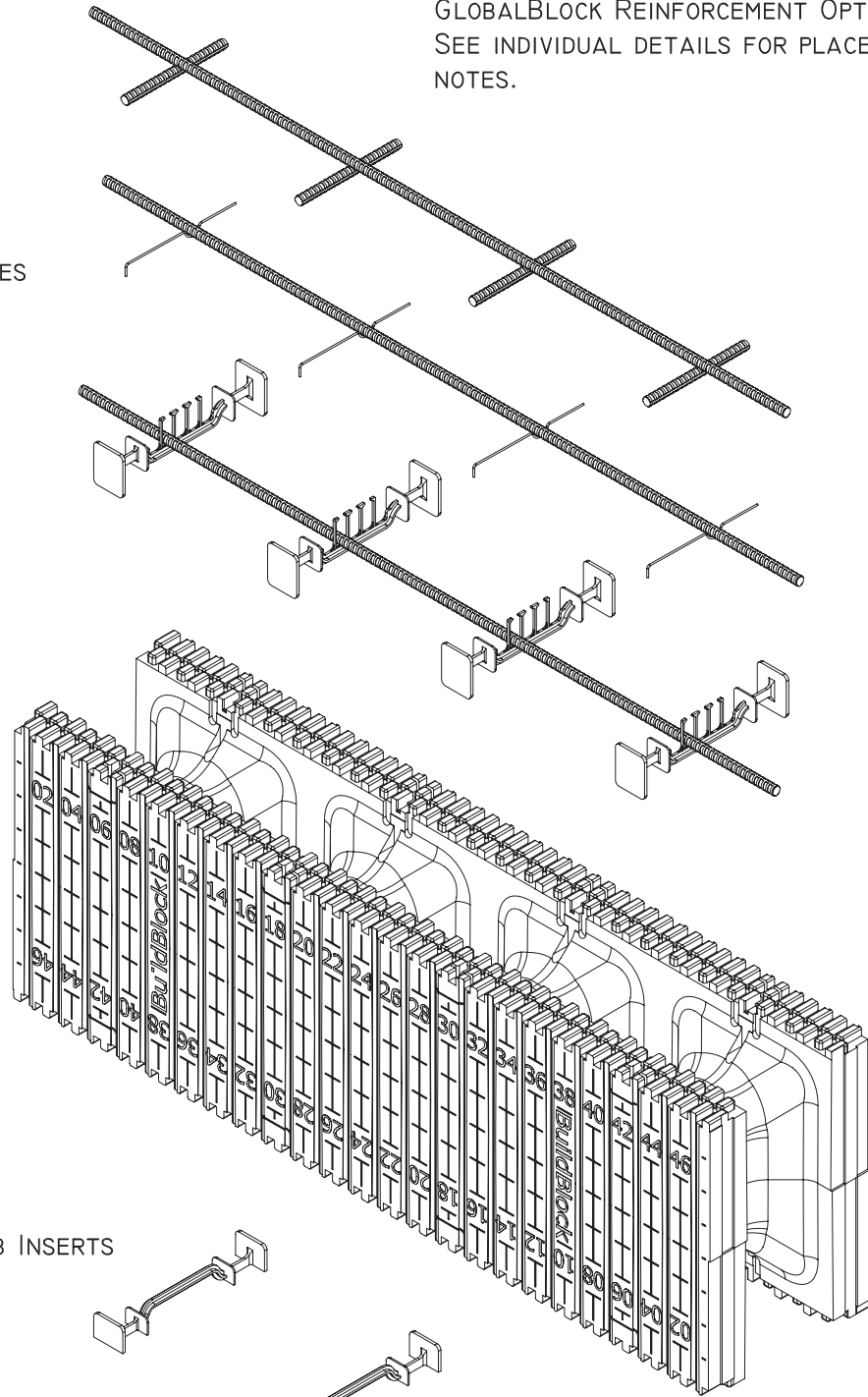
	GLOBALBLOCK REBAR SADDLE DETAIL			DETAIL SHEET
	DATE/REV	9/2015	SCALE	NTS
	NOTES			
9705 N. BROADWAY EXTENSION, SUITE 200, OKLAHOMA CITY, OK 73114 OFFICE: 405-840-3386   TOLL FREE: 866-222-2575   FAX: 831-597-0792 BUILDBLOCK.COM	CONSTRUCTION SHALL BE IN ACCORDANCE WITH ALL APPLICABLE LOCAL AND NATIONAL CODES. ALL DRAWINGS ARE SUBJECT TO CHANGE WITHOUT NOTICE.			60J

(M) REBAR PINS  
 SCALE: NTS

(N) REBAR SADDLES  
 SCALE: NTS


(L) WEB INSERTS  
 SCALE: NTS

GLOBALBLOCK REINFORCEMENT OPTIONS:  
 SEE INDIVIDUAL DETAILS FOR PLACEMENT AND  
 NOTES.



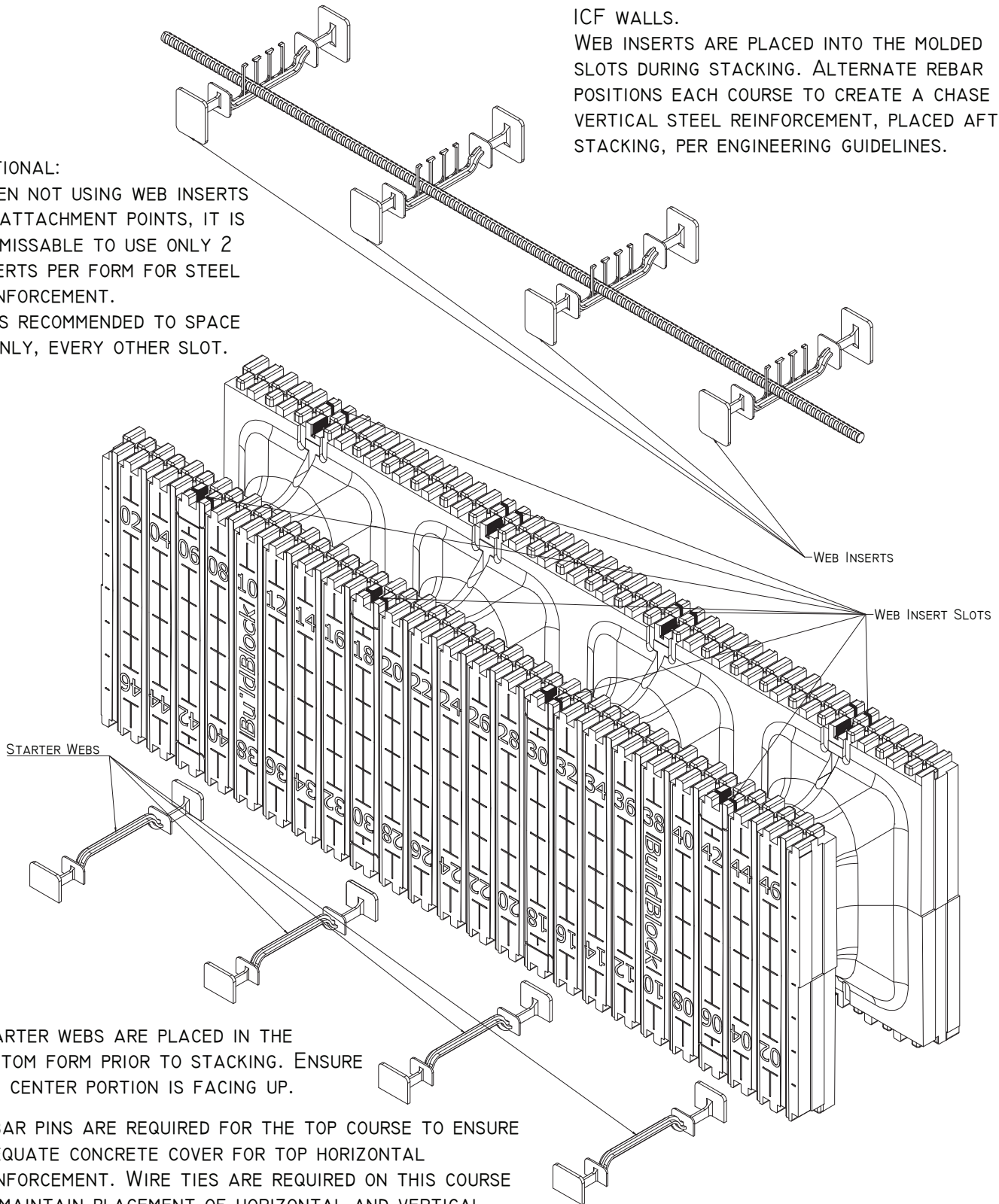
(L) STARTER WEB INSERTS  
 SCALE: NTS

REBAR PINS ARE REQUIRED FOR THE TOP COURSE TO ENSURE ADEQUATE CONCRETE COVER FOR TOP HORIZONTAL REINFORCEMENT. WIRE TIES ARE REQUIRED ON THIS COURSE TO MAINTAIN PLACEMENT OF HORIZONTAL AND VERTICAL REINFORCEMENT.

	<b>GLOBALBLOCK COMBINED REINFORCEMENT OPTIONS</b>				
	DATE/REV	9/2015	SCALE	NTS	DETAIL SHEET
	NOTES	CONSTRUCTION SHALL BE IN ACCORDANCE WITH ALL APPLICABLE LOCAL AND NATIONAL CODES. ALL DRAWINGS ARE SUBJECT TO CHANGE WITHOUT NOTICE.			<b>60K</b>
9705 N. BROADWAY EXTENSION, SUITE 200, OKLAHOMA CITY, OK 73114 OFFICE: 405-840-3386   TOLL FREE: 866-222-2575   FAX: 831-597-0792 BUILDBLOCK.COM					


WEB INSERTS PROVIDE REBAR SUPPORT AND WALL FINISH ATTACHMENT POINTS FOR GLOBALBLOCK ICF WALLS.  
 WEB INSERTS ARE PLACED INTO THE MOLDED SLOTS DURING STACKING. ALTERNATE REBAR POSITIONS EACH COURSE TO CREATE A CHASE FOR VERTICAL STEEL REINFORCEMENT, PLACED AFTER STACKING, PER ENGINEERING GUIDELINES.

OPTIONAL:  
 WHEN NOT USING WEB INSERTS AS ATTACHMENT POINTS, IT IS PERMISSABLE TO USE ONLY 2 INSERTS PER FORM FOR STEEL REINFORCEMENT.  
 IT IS RECOMMENDED TO SPACE EVENLY, EVERY OTHER SLOT.



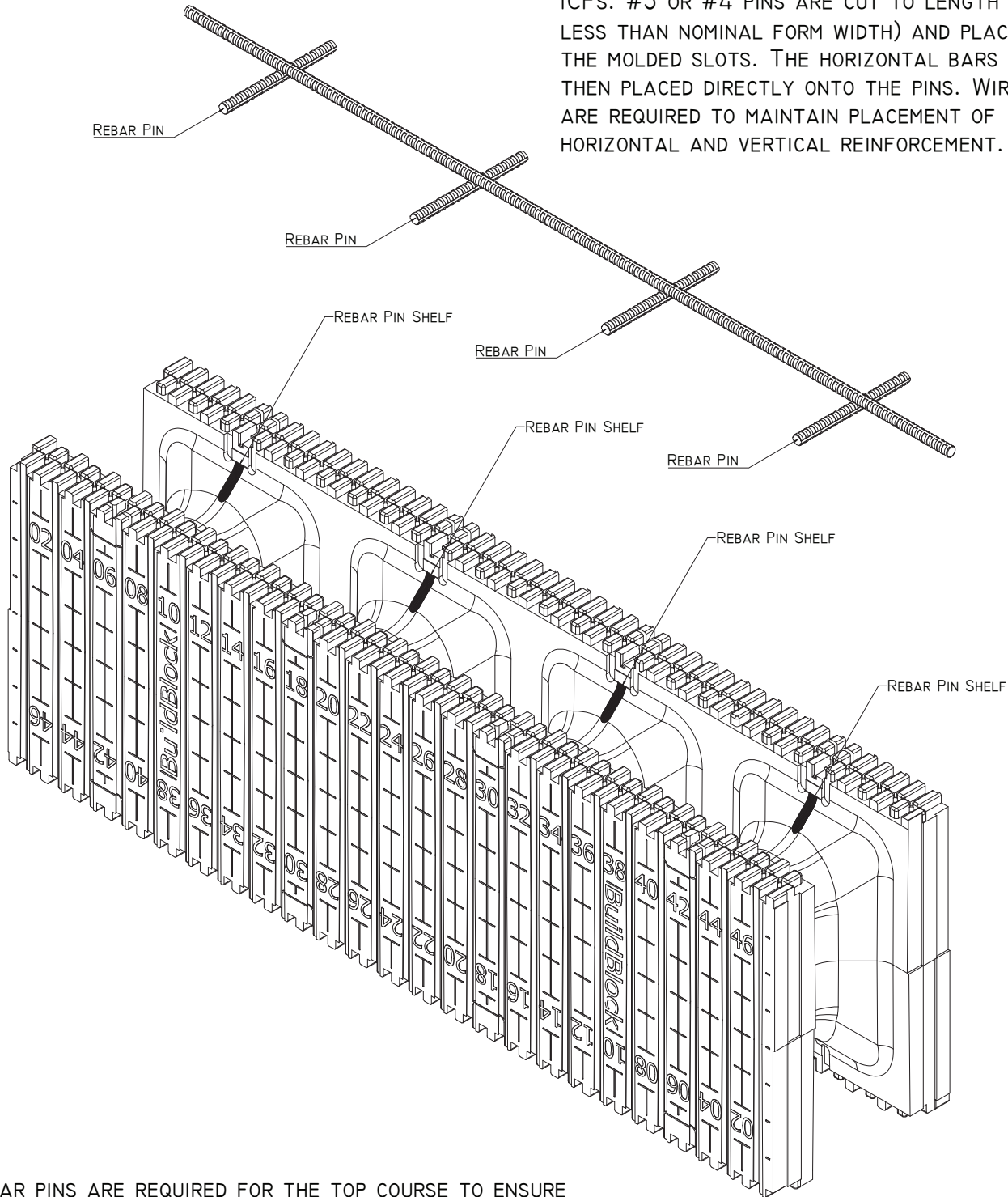
STARTER WEBS ARE PLACED IN THE BOTTOM FORM PRIOR TO STACKING. ENSURE THE CENTER PORTION IS FACING UP.

REBAR PINS ARE REQUIRED FOR THE TOP COURSE TO ENSURE ADEQUATE CONCRETE COVER FOR TOP HORIZONTAL REINFORCEMENT. WIRE TIES ARE REQUIRED ON THIS COURSE TO MAINTAIN PLACEMENT OF HORIZONTAL AND VERTICAL REINFORCEMENT.


	<b>GLOBALBLOCK USING PLASTIC WEB INSERTS</b>				
	DATE/REV	9/2015	SCALE	NTS	DETAIL SHEET
	NOTES				<b>60L</b>
9705 N. BROADWAY EXTENSION, SUITE 200, OKLAHOMA CITY, OK 73114 OFFICE: 405-840-3386   TOLL FREE: 866-222-2575   FAX: 831-597-0792 BUILDBLOCK.COM		CONSTRUCTION SHALL BE IN ACCORDANCE WITH ALL APPLICABLE LOCAL AND NATIONAL CODES. ALL DRAWINGS ARE SUBJECT TO CHANGE WITHOUT NOTICE.			



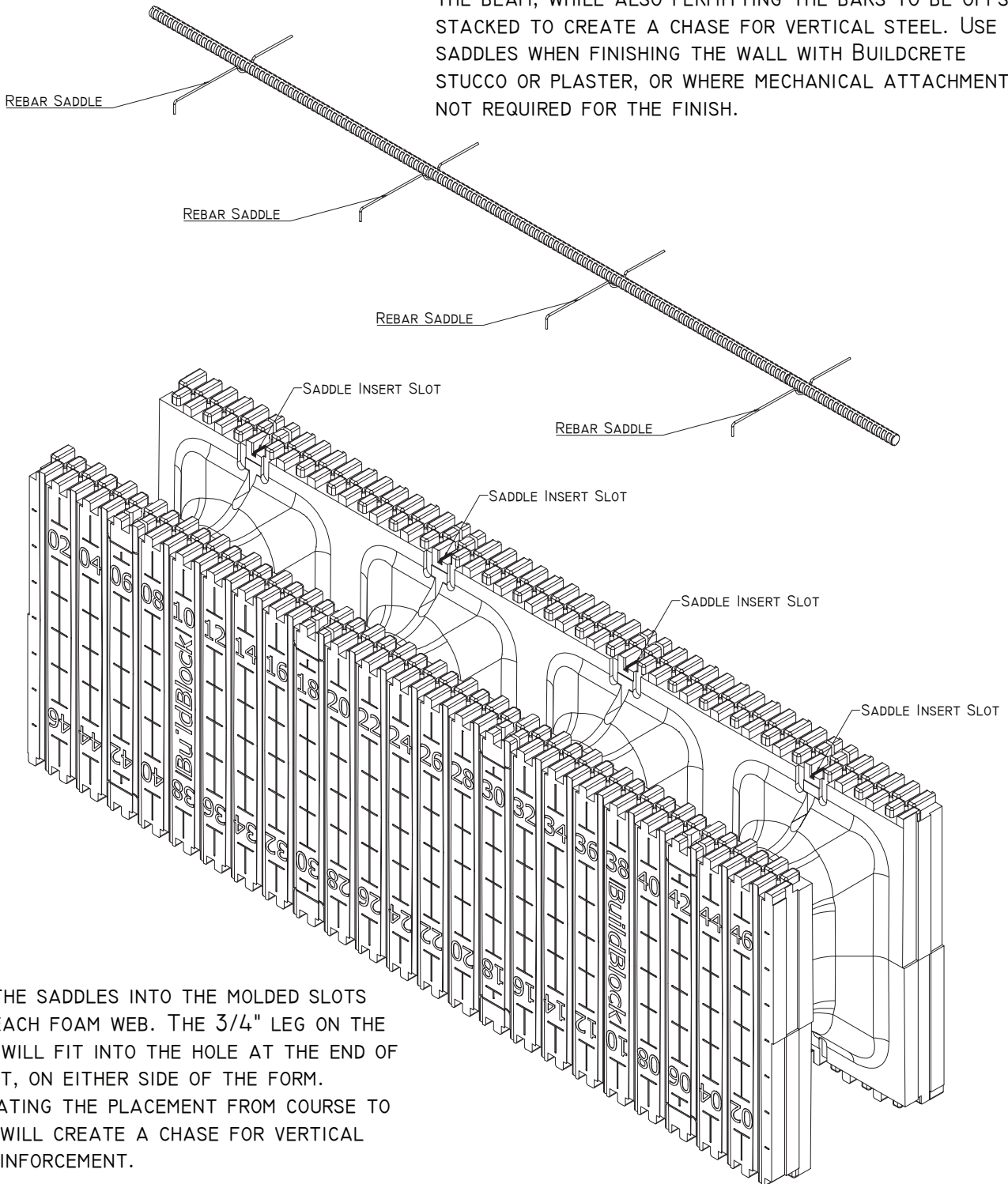
REBAR PINS ARE THE SIMPLEST MEANS OF SUPPORTING HORIZONTAL REBAR IN GLOBALBLOCK ICFs. #3 OR #4 PINS ARE CUT TO LENGTH (1/4" LESS THAN NOMINAL FORM WIDTH) AND PLACED INTO THE MOLDED SLOTS. THE HORIZONTAL BARS ARE THEN PLACED DIRECTLY ONTO THE PINS. WIRE TIES ARE REQUIRED TO MAINTAIN PLACEMENT OF HORIZONTAL AND VERTICAL REINFORCEMENT.



REBAR PINS ARE REQUIRED FOR THE TOP COURSE TO ENSURE ADEQUATE CONCRETE COVER FOR TOP HORIZONTAL REINFORCEMENT. WIRE TIES ARE REQUIRED ON THIS COURSE TO MAINTAIN PLACEMENT OF HORIZONTAL AND VERTICAL REINFORCEMENT.


	<b>GLOBALBLOCK USING REBAR PINS</b>			DETAIL SHEET
	DATE/REV	9/2015	SCALE	NTS
	NOTES			
9705 N. BROADWAY EXTENSION, SUITE 200, OKLAHOMA CITY, OK 73114 OFFICE: 405-840-3386   TOLL FREE: 866-222-2575   FAX: 831-597-0792 BUILDBLOCK.COM	CONSTRUCTION SHALL BE IN ACCORDANCE WITH ALL APPLICABLE LOCAL AND NATIONAL CODES. ALL DRAWINGS ARE SUBJECT TO CHANGE WITHOUT NOTICE.			60M

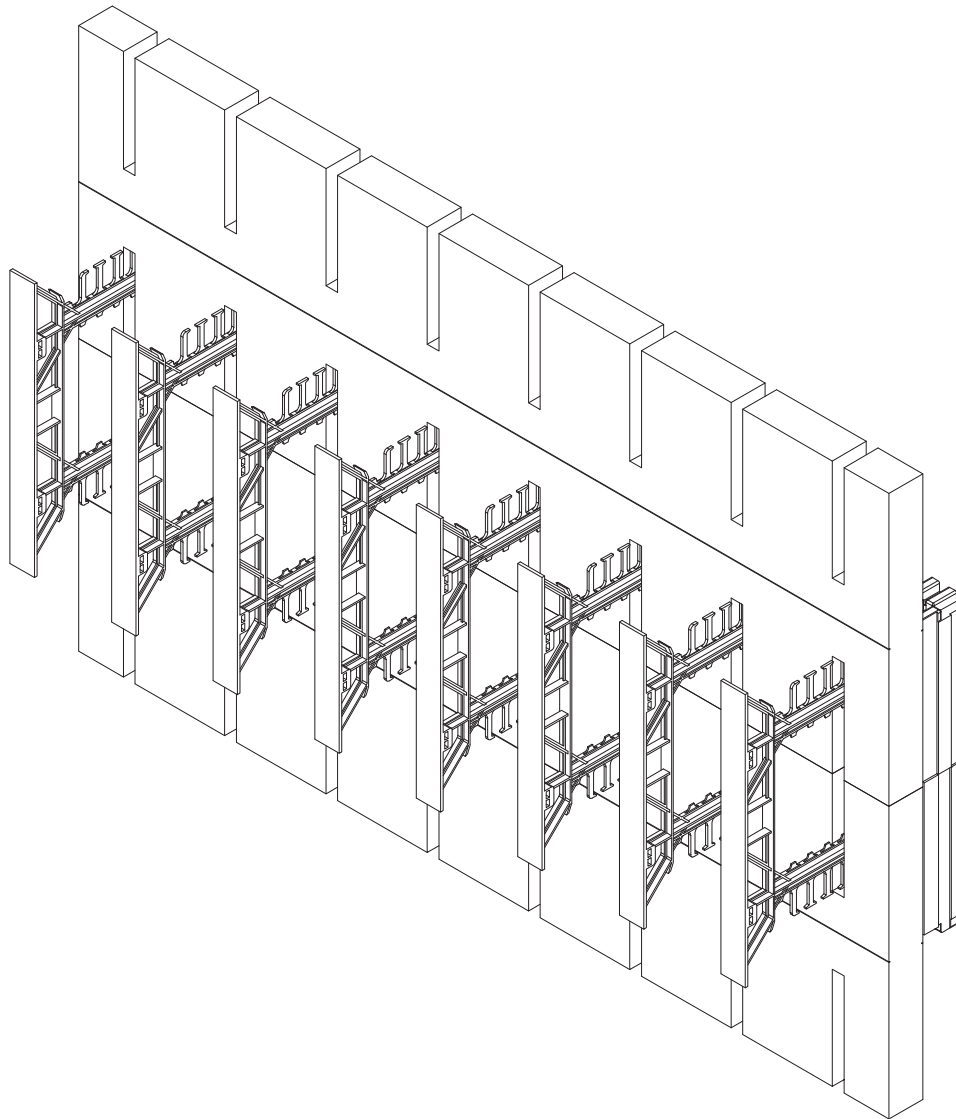
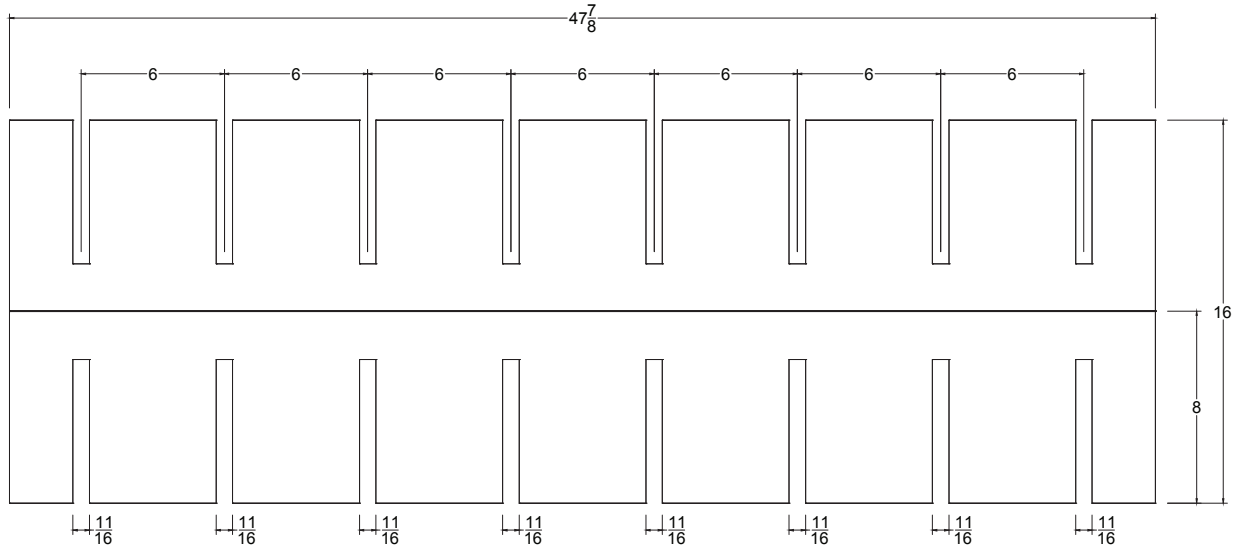
GLOBALBLOCK REBAR SADDLES PROVIDE A SIMPLE MEANS OF SUPPORTING REBAR, WITHOUT TIES, NEAR THE CENTER OF THE BEAM, WHILE ALSO PERMITTING THE BARS TO BE OFFSET STACKED TO CREATE A CHASE FOR VERTICAL STEEL. USE SADDLES WHEN FINISHING THE WALL WITH BUILDCRETE STUCCO OR PLASTER, OR WHERE MECHANICAL ATTACHMENT IS NOT REQUIRED FOR THE FINISH.



PLACE THE SADDLES INTO THE MOLDED SLOTS ABOVE EACH FOAM WEB. THE 3/4" LEG ON THE SADDLE WILL FIT INTO THE HOLE AT THE END OF THE SLOT, ON EITHER SIDE OF THE FORM. ALTERNATING THE PLACEMENT FROM COURSE TO COURSE WILL CREATE A CHASE FOR VERTICAL POST REINFORCEMENT.

REBAR PINS ARE REQUIRED FOR THE TOP COURSE TO ENSURE ADEQUATE CONCRETE COVER FOR TOP HORIZONTAL REINFORCEMENT. WIRE TIES ARE REQUIRED ON THIS COURSE TO MAINTAIN PLACEMENT OF HORIZONTAL AND VERTICAL REINFORCEMENT.

	<b>GLOBALBLOCK USING REBAR SADDLES</b>				
	DATE/REV	9/2015	SCALE	NTS	DETAIL SHEET
	NOTES				<b>60N</b>
9705 N. BROADWAY EXTENSION, SUITE 200, OKLAHOMA CITY, OK 73114 OFFICE: 405-840-3386   TOLL FREE: 866-222-2575   FAX: 831-597-0792 BUILDBLOCK.COM		CONSTRUCTION SHALL BE IN ACCORDANCE WITH ALL APPLICABLE LOCAL AND NATIONAL CODES. ALL DRAWINGS ARE SUBJECT TO CHANGE WITHOUT NOTICE.			



9705 N. BROADWAY EXTENSION, SUITE 200, OKLAHOMA CITY, OK 73114  
 OFFICE: 405-840-3386 | TOLL FREE: 866-222-2575 | FAX: 831-597-0792  
 BUILDBLOCK.COM

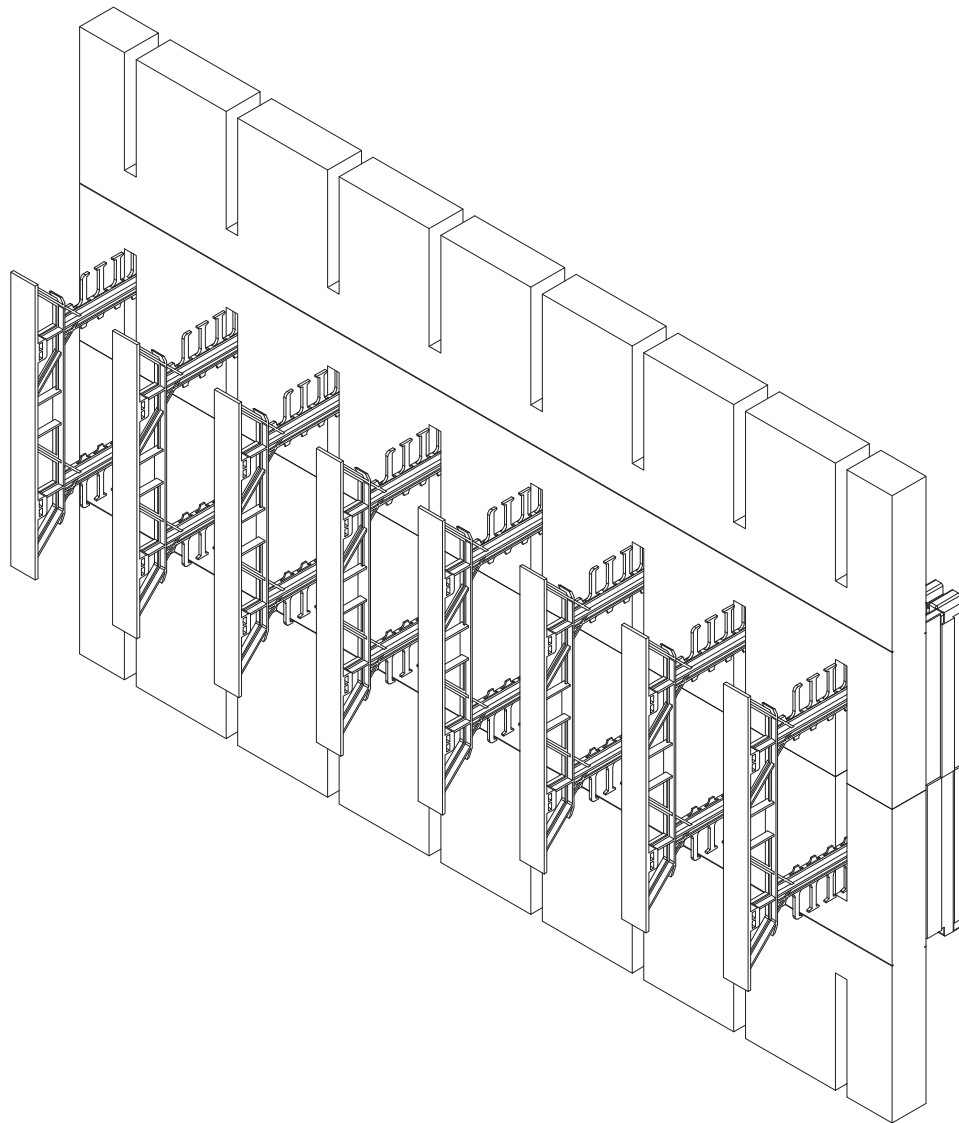
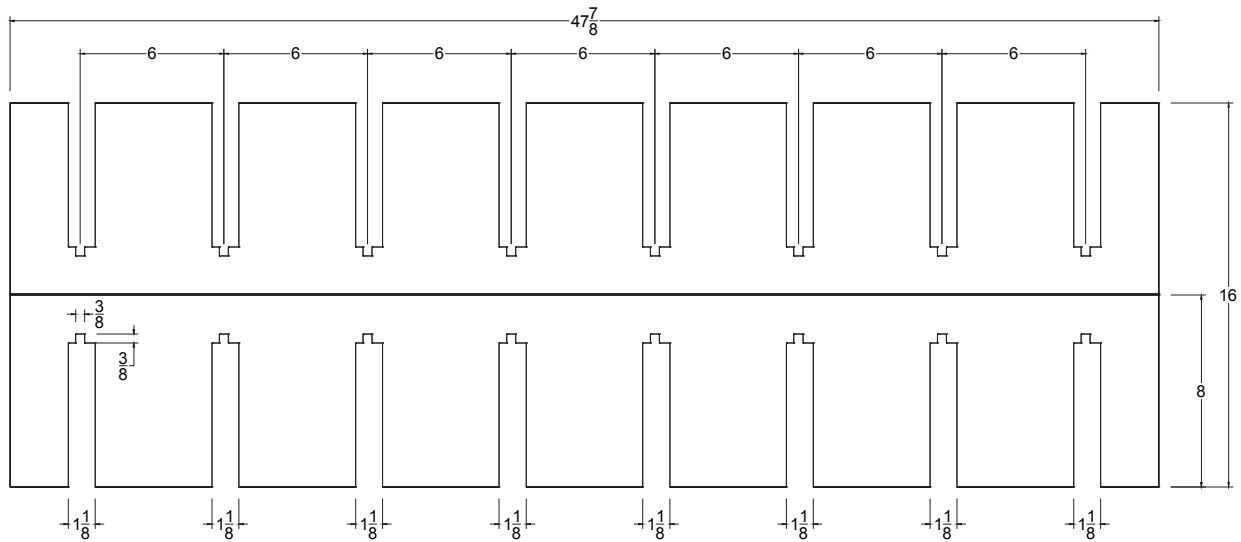
THERMALERT PRODUCT DETAIL

DATE/REV	5/2015	SCALE	NTS	DETAIL SHEET
----------	--------	-------	-----	--------------

NOTES	
-------	--

CONSTRUCTION SHALL BE IN ACCORDANCE WITH ALL APPLICABLE LOCAL AND NATIONAL CODES. ALL DRAWINGS ARE SUBJECT TO CHANGE WITHOUT NOTICE.

**61A**



9705 N. BROADWAY EXTENSION, SUITE 200, OKLAHOMA CITY, OK 73114  
 OFFICE: 405-840-3386 | TOLL FREE: 866-222-2575 | FAX: 831-597-0792  
 BUILDBLOCK.COM

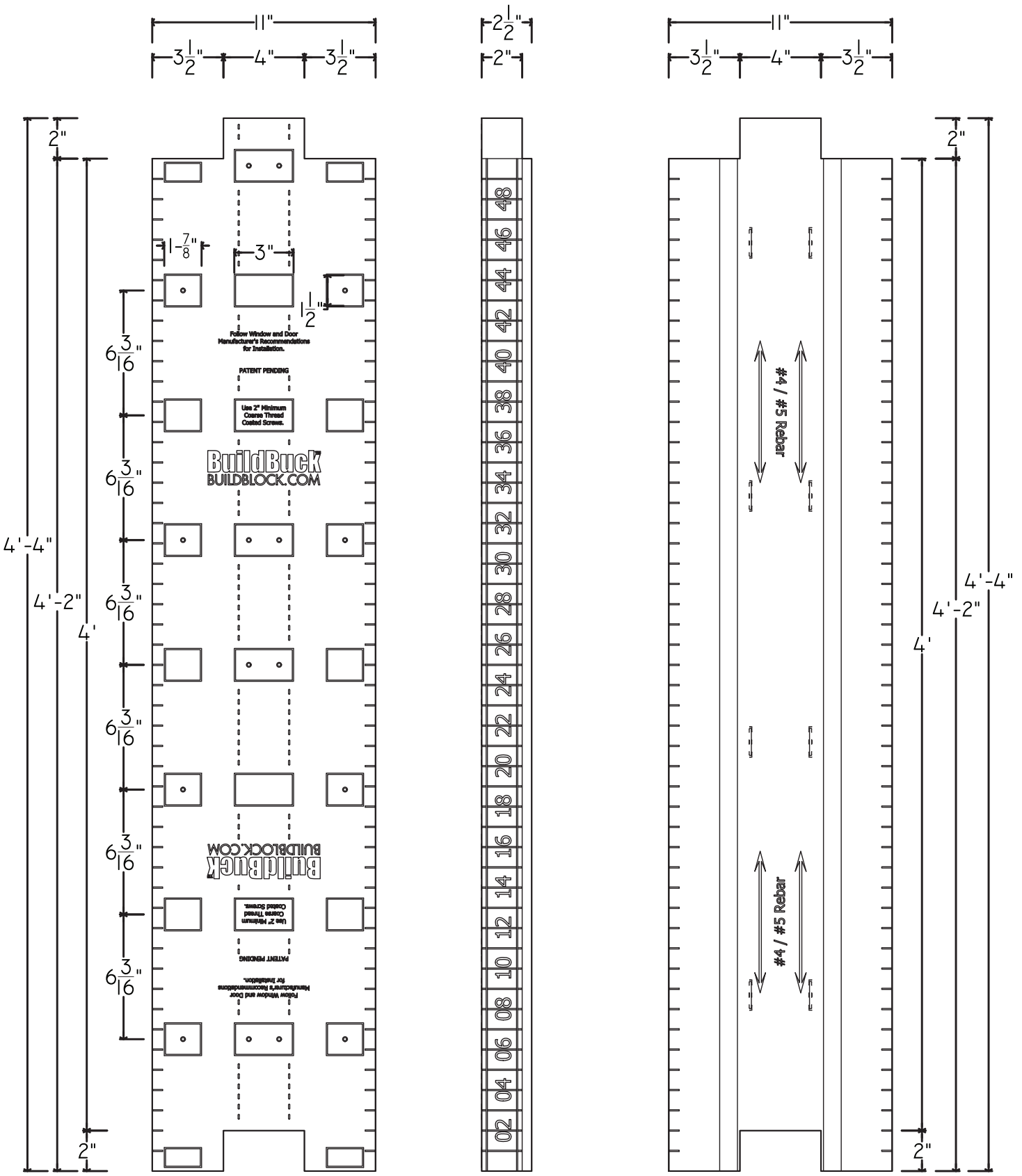
THERMALSSERT KD PRODUCT DETAIL


DATE/REV	5/2015	SCALE	NTS	DETAIL SHEET
----------	--------	-------	-----	--------------

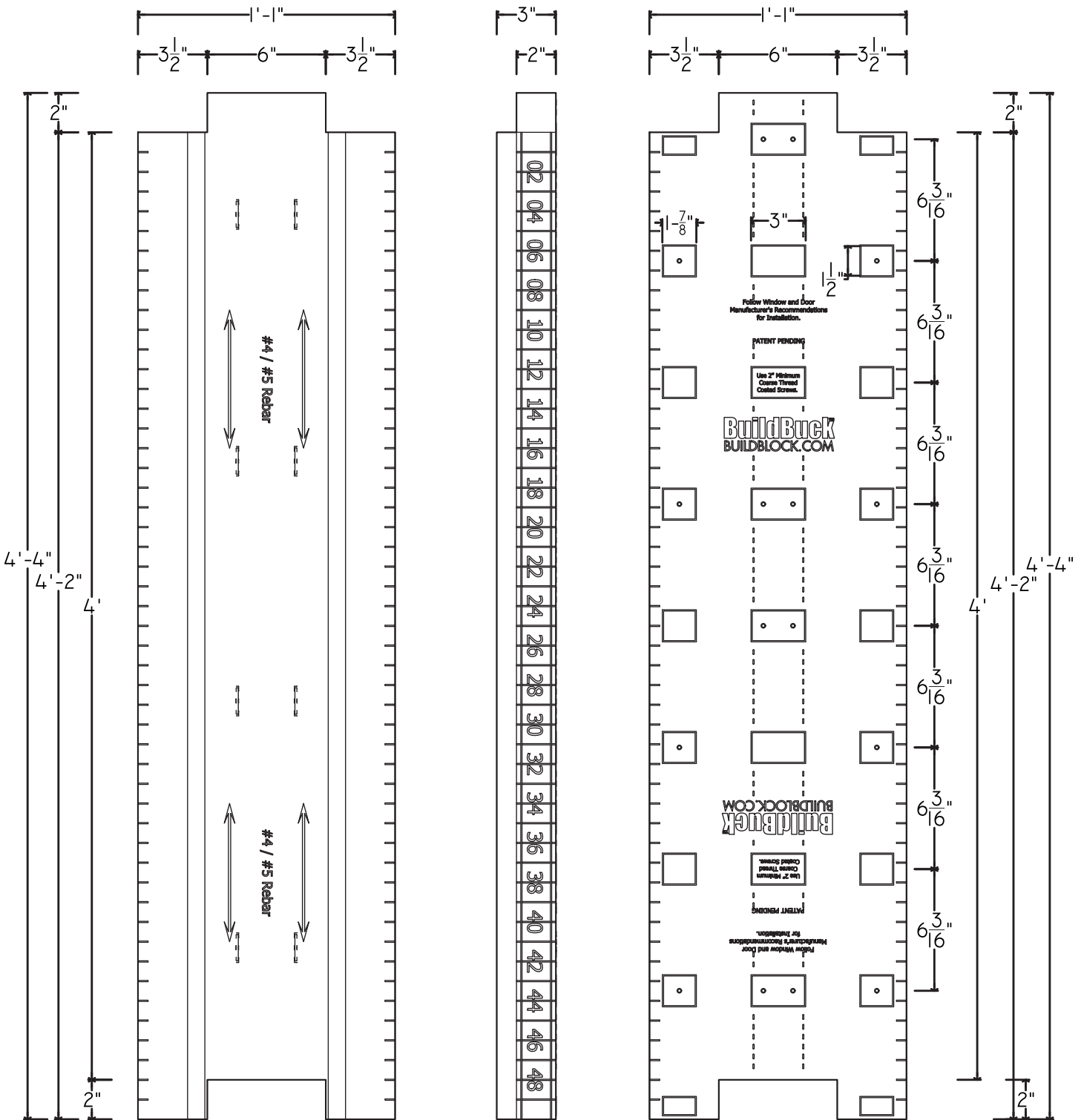
NOTES	
-------	--


CONSTRUCTION SHALL BE IN ACCORDANCE WITH ALL APPLICABLE LOCAL AND NATIONAL CODES. ALL DRAWINGS ARE SUBJECT TO CHANGE WITHOUT NOTICE.

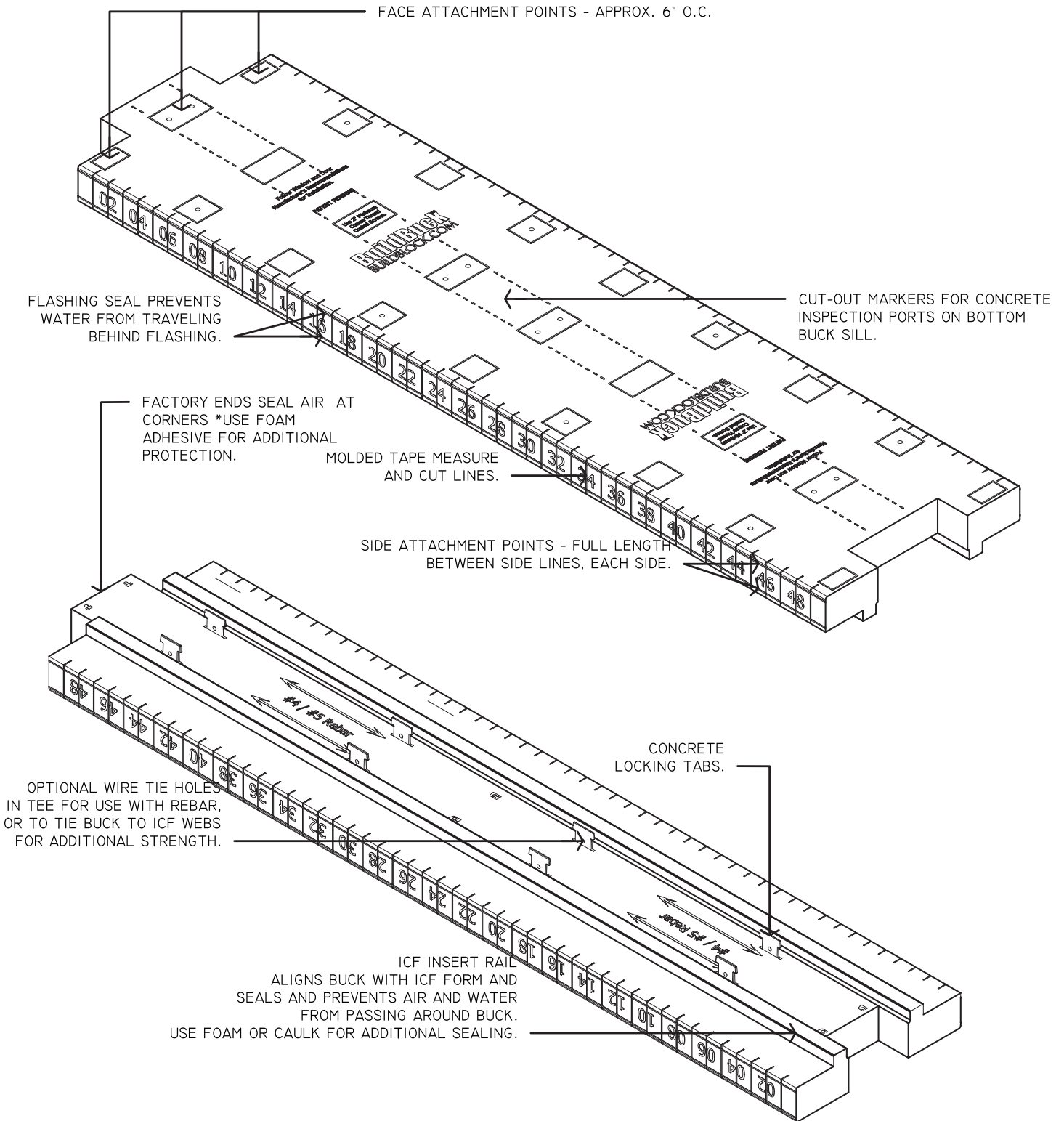
**61B**




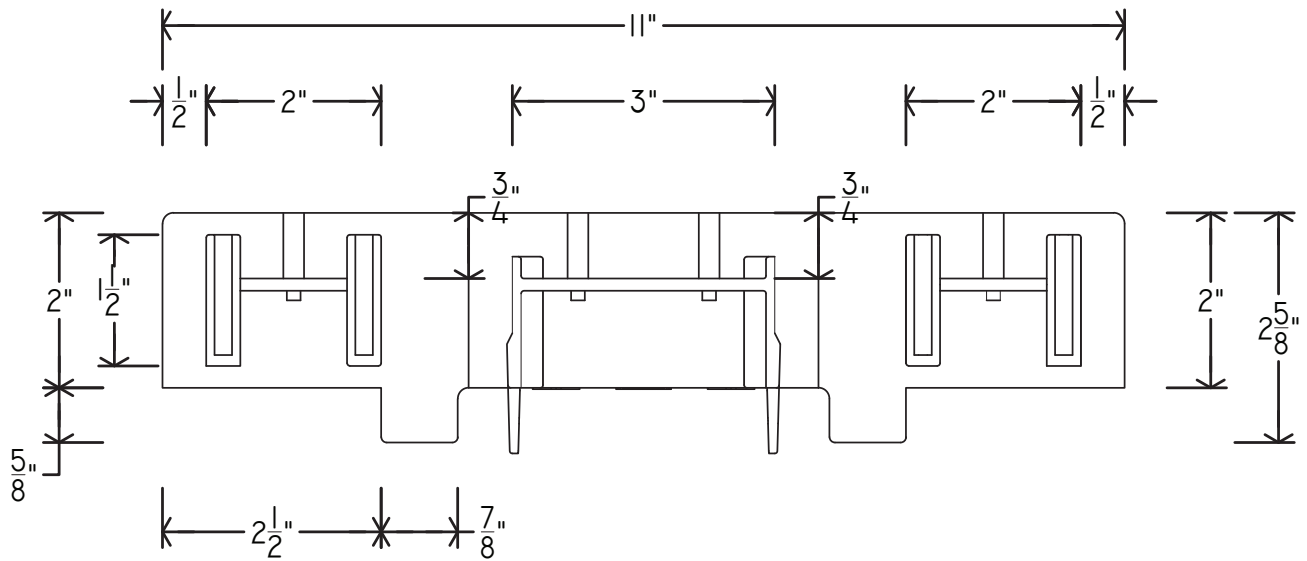
	<b>BUILDBLOCK 6" PRODUCT DIMENSIONS</b>			DETAIL SHEET
	DATE/REV	12/2015	SCALE	NTS
NOTES		<h1 style="font-size: 48pt; margin: 0;">62A</h1>		
9705 N. BROADWAY EXTENSION, SUITE 200, OKLAHOMA CITY, OK 73114 OFFICE: 405-840-3386   TOLL FREE: 866-222-2575   FAX: 831-597-0792 BUILDBLOCK.COM				
CONSTRUCTION SHALL BE IN ACCORDANCE WITH ALL APPLICABLE LOCAL AND NATIONAL CODES. ALL DRAWINGS ARE SUBJECT TO CHANGE WITHOUT NOTICE.				



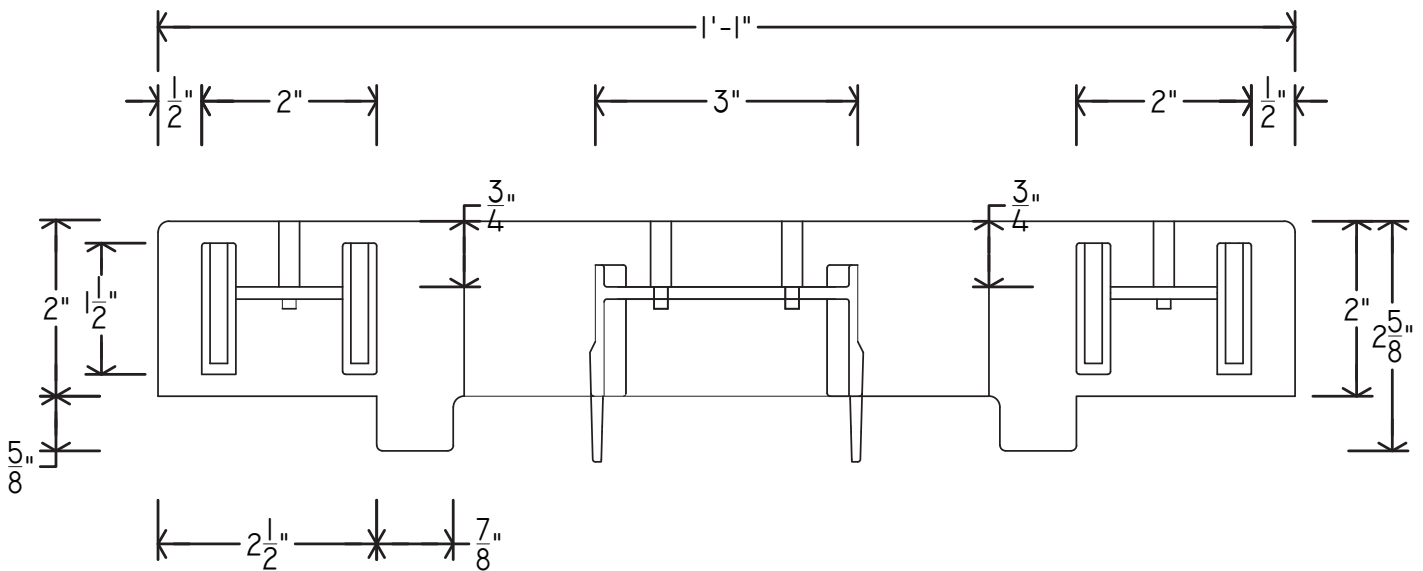
	<b>BUILDBUCK 8" PRODUCT DIMENSIONS</b>				
	DATE/REV	12/2015	SCALE	NTS	DETAIL SHEET
	NOTES				<b>62B</b>
9705 N. BROADWAY EXTENSION, SUITE 200, OKLAHOMA CITY, OK 73114 OFFICE: 405-840-3386   TOLL FREE: 866-222-2575   FAX: 831-597-0792 BUILDBLOCK.COM		CONSTRUCTION SHALL BE IN ACCORDANCE WITH ALL APPLICABLE LOCAL AND NATIONAL CODES. ALL DRAWINGS ARE SUBJECT TO CHANGE WITHOUT NOTICE.			




 <p>9705 N. BROADWAY EXTENSION, SUITE 200, OKLAHOMA CITY, OK 73114                  OFFICE: 405-840-3386   TOLL FREE: 866-222-2575   FAX: 831-597-0792                  BUILDBLOCK.COM</p>	<b>BUILDBLOCK PRODUCT FEATURES</b>				<h1>62C</h1>	
	DATE/REV	12/2015	SCALE	NTS		DETAIL SHEET
	NOTES	CONSTRUCTION SHALL BE IN ACCORDANCE WITH ALL APPLICABLE LOCAL AND NATIONAL CODES. ALL DRAWINGS ARE SUBJECT TO CHANGE WITHOUT NOTICE.				



## BK-600 6-INCH BUILDBUCK

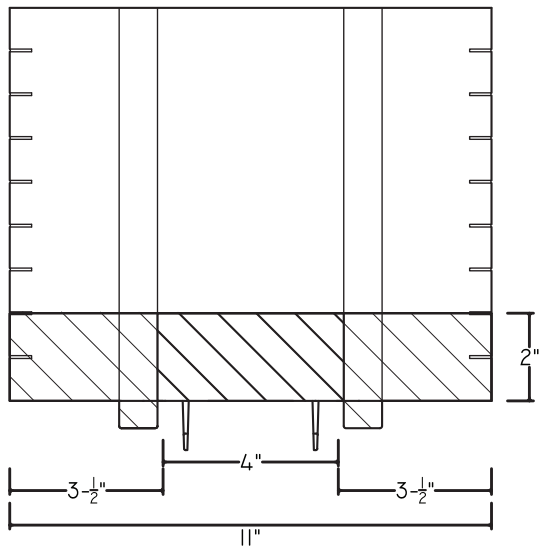


## BK-800 8-INCH BUILDBUCK

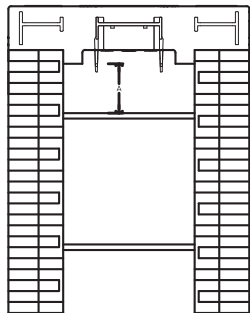
	BUILDBUCK CROSS SECTIONS BK-600/BK-800				
	DATE/REV	12/2015	SCALE	NTS	DETAIL SHEET
	NOTES				<h1>62D</h1>
9705 N. BROADWAY EXTENSION, SUITE 200, OKLAHOMA CITY, OK 73114 OFFICE: 405-840-3386   TOLL FREE: 866-222-2575   FAX: 831-597-0792 BUILDBLOCK.COM		CONSTRUCTION SHALL BE IN ACCORDANCE WITH ALL APPLICABLE LOCAL AND NATIONAL CODES. ALL DRAWINGS ARE SUBJECT TO CHANGE WITHOUT NOTICE.			



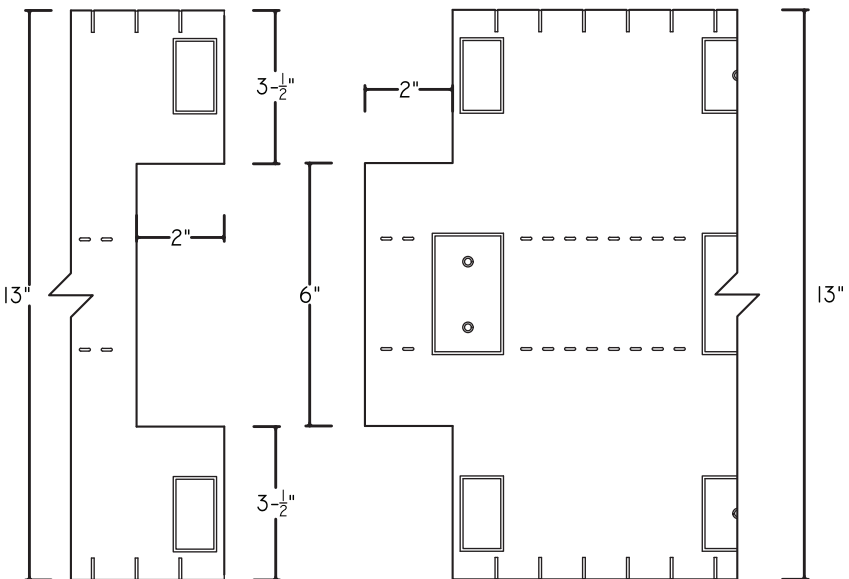
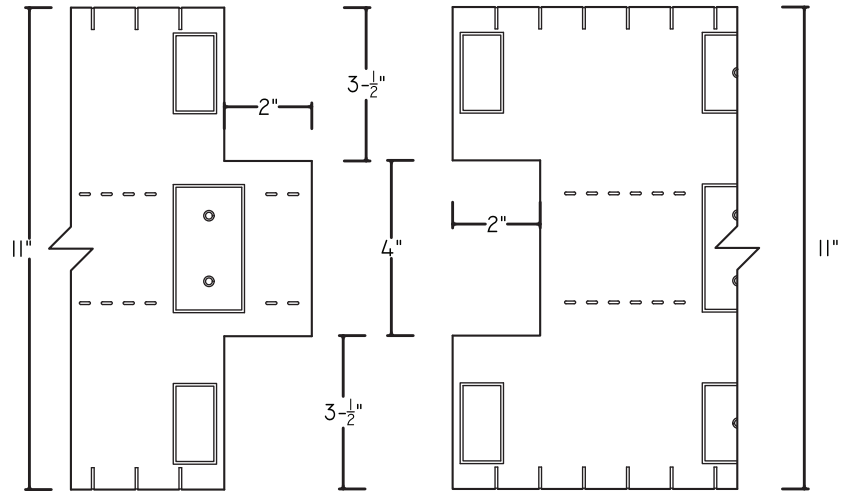
THE DIMENSIONS REPRESENTED BELOW CREATE A FACTORY CONNECTION BETWEEN BUILDBUCK PIECES. WHEN CUTTING BUILDBUCK, IT IS RECOMMENDED TO RE-CUT THE BUILDBUCK PIECES TO RECREATE THE CORRECT FACTORY END AS NEEDED.




BUILDBUCK CORNER OVERLAP WITH FACTORY EDGE.

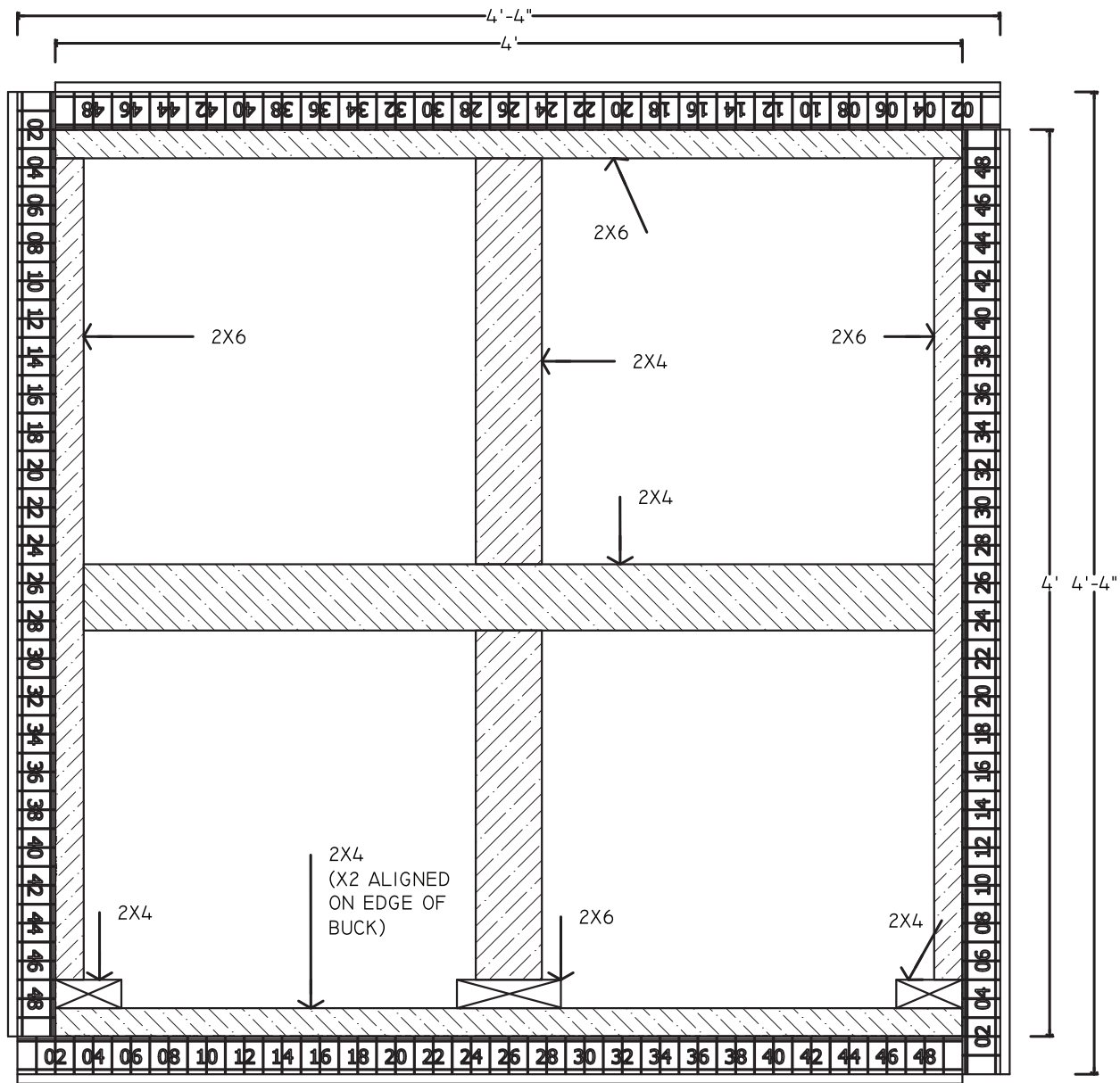


A: WHEN BLOCK IS CUT TO MOLDED VERTICAL CUT LINES, BUILDBUCK WILL CLEAR THE CROSS TIE OF THE WEB. WHEN BLOCK IS CUT THROUGH A WEB VERTICALLY, TRIMMING OF BUILDBUCK MAY BE NECESSARY AS THE BUILDBUCK ALIGNMENT RAILS MAY TOUCH THE WEB FACE.




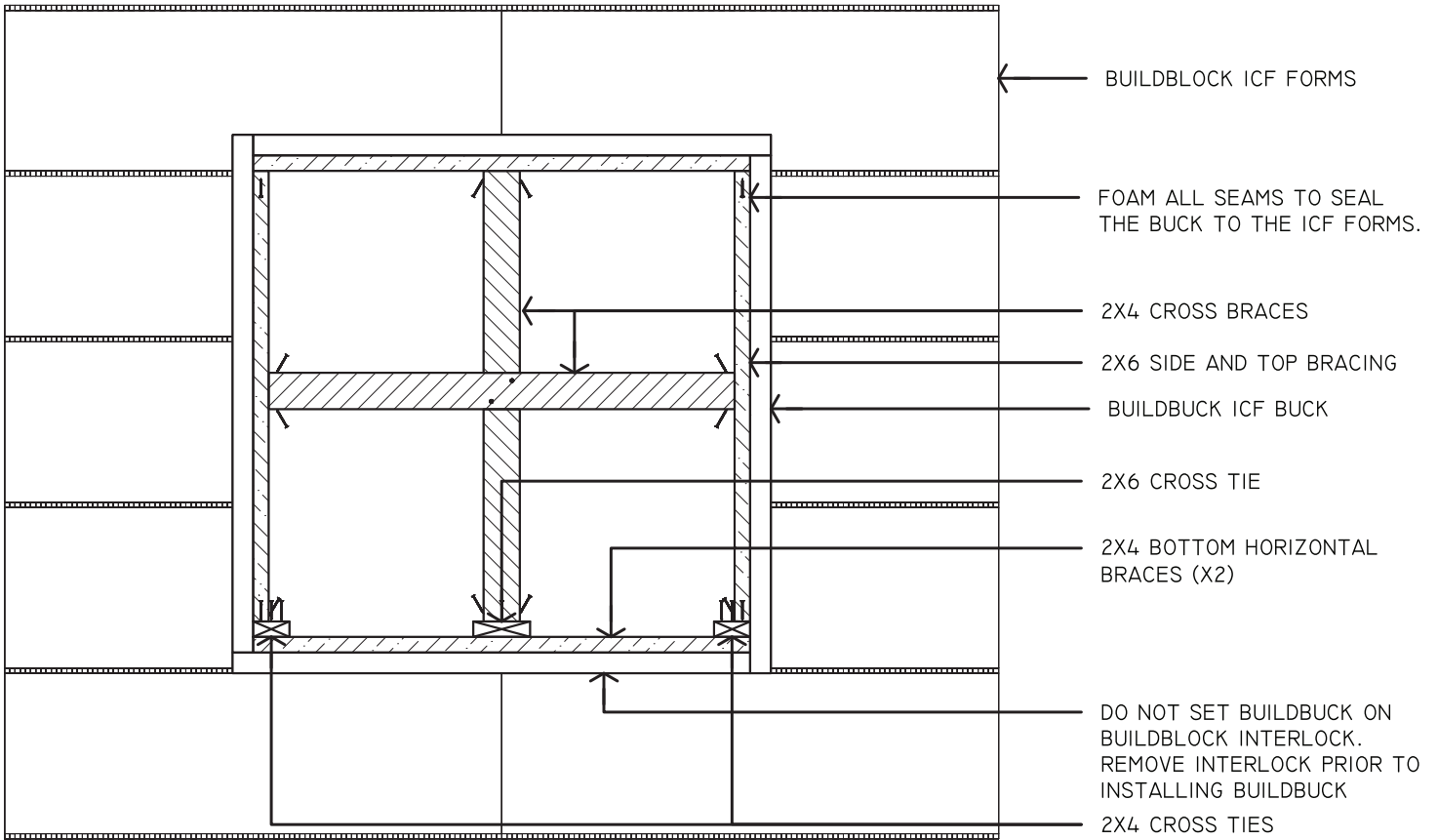
TOP VIEW BUILDBUCK INSTALLED

	<b>BUILDBUCK CONNECTION DETAIL</b>				
	DATE/REV	12/2015	SCALE	NTS	DETAIL SHEET
	NOTES				<b>62E</b>
9705 N. BROADWAY EXTENSION, SUITE 200, OKLAHOMA CITY, OK 73114 OFFICE: 405-840-3386   TOLL FREE: 866-222-2575   FAX: 831-597-0792 BUILDBLOCK.COM		CONSTRUCTION SHALL BE IN ACCORDANCE WITH ALL APPLICABLE LOCAL AND NATIONAL CODES. ALL DRAWINGS ARE SUBJECT TO CHANGE WITHOUT NOTICE.			



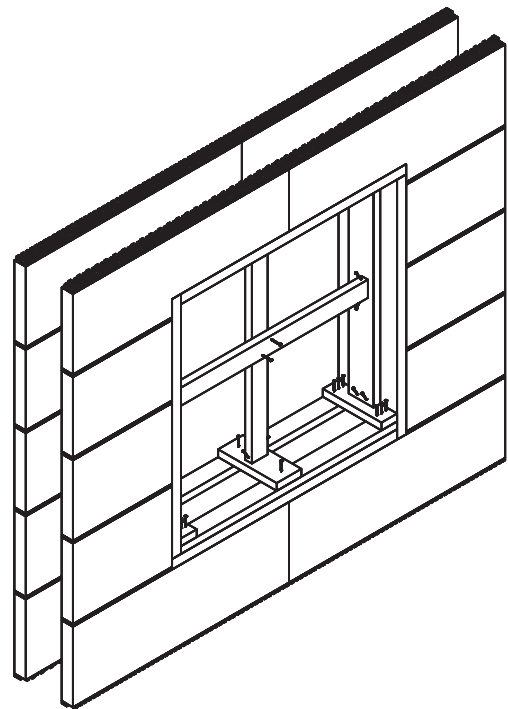
- ☒ MAX OPENING WITH NO SPLICES 48 INCH BY 48 INCH.
- ☒ BUCK OPENING SHOULD BE WINDOW OR DOOR ROUGH OPENING PLUS 4 INCHES OUTSIDE TO OUTSIDE.
- ☒ BUILDBLOCK RECOMMENDS INSTALLING AN INNER FRAME WITH CROSS-BRACES FOR SHORING DURING CONCRETE POUR. VERTICAL BRACING SHOULD REMAIN IN PLACE 7-14 DAYS. IF LOADING LINTELS DURING FRAMING IT IS RECOMMENDED TO LEAVE VERTICAL BRACING IN PLACE AS LONG AS POSSIBLE.
- ☒ OPENINGS WIDER OR TALLER THAN 4FT ARE BUCKED BY JOINING THE BUCK MALE END TO FEMALE END USING THE FACTORY EDGES.
- ☒ CUT BUCKS SHOULD BE TRIMMED TO MAKE A NEW FACTORY EDGE.
- ☒ CORNERS MAY BE JOINED WITH A SIMPLE BUTT JOINT, A FACTORY JOINT OR CUT TO MAKE A FACTORY JOINT.
- ☒ BUCK JOINTS MAY BE BONDED WITH SPRAY FOAM ADHESIVE ON THE JOINING FACES ONLY. USE A MINIMAL AMOUNT. THIS WILL SEAL AGAINST WATER AND AIR INFILTRATION.
- ☒ CORNERS AND OUTER EDGES SHOULD BE FLASHED WITH AN ICF COMPATIBLE FLASHING. TAMKO TW FLASH-N-WRAP OR SIMILAR FLASHING MATERIAL ARE RECOMMENDED. ALTERNATIVELY ALUMINUM HVAC TAPE BONDS TIGHTLY, SEALING ALL JOINTS, AND MAY ALSO BE USED WITH BUILDBUCK.
- ☒ DO NOT USE PETROLEUM BASED CAULKING, SEALANT, OR ADHESIVE.


	<b>BUILDBUCK ASSEMBLY AND BRACING</b>			DETAIL SHEET
	DATE/REV	12/2015	SCALE	NTS
	NOTES			62F
9705 N. BROADWAY EXTENSION, SUITE 200, OKLAHOMA CITY, OK 73114 OFFICE: 405-840-3386   TOLL FREE: 866-222-2575   FAX: 831-597-0792 BUILDBLOCK.COM	CONSTRUCTION SHALL BE IN ACCORDANCE WITH ALL APPLICABLE LOCAL AND NATIONAL CODES. ALL DRAWINGS ARE SUBJECT TO CHANGE WITHOUT NOTICE.			

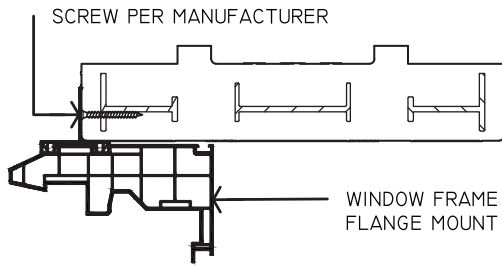


**BRACING FOR BUILDBUCK.**

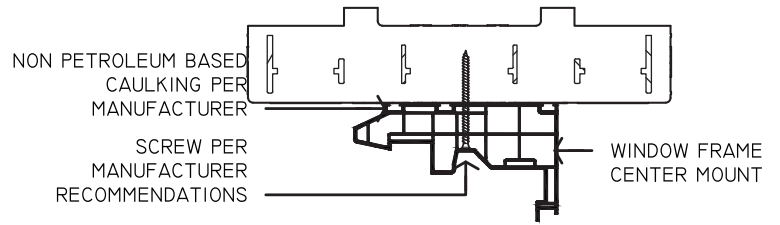
1. TOP AND SIDE RAILS - 2X6 LUMBER.
2. BOTTOM RAILS AND CROSS BRACES - 2X4 OR 2X6 LUMBER.
3. BOTTOM CROSS TIES SHOULD BE 2X4 LUMBER ON SIDES AND 2X6 LUMBER IN CENTER.
4. TOP RAIL SHOULD BE CUT FULL ROUGH OPENING WIDTH.
5. BOTTOM RAILS SHOULD BE CUT FULL R/O WIDTH.
6. BOTTOM CROSS TIES SHOULD BE CUT FULL BUCK DEPTH.
7. SIDE RAILS SHOULD BE CUT TO ROUGH OPENING LESS TOP, BOTTOM AND BOTTOM CROSS TIE DIMENSION.
8. ALL RAILS AND CROSS TIES SHOULD BE SCREWED IN THE PATTERN SHOWN. IT IS IMPORTANT TO SCREW THE BOTTOM CROSS TIES AND THE SIDE RAILS TO THE BOTTOM RAILS TO PREVENT THE BUCK FROM SHIFTING DURING THE POUR.
9. CROSS BRACES SHOULD BE 2X4 OR LARGER, AND MAY BE TURNED SO THAT THEY BYPASS AT THE CENTER. THEY SHOULD BE SCREWED TOGETHER AT THE CENTER AND TOENAILED ON EACH END.
10. FOLLOW STANDARD PRACTICES FOR REMOVAL OF BRACING BASED ON LOADS APPLIED AND DESIGN STRENGTH OF CONCRETE.



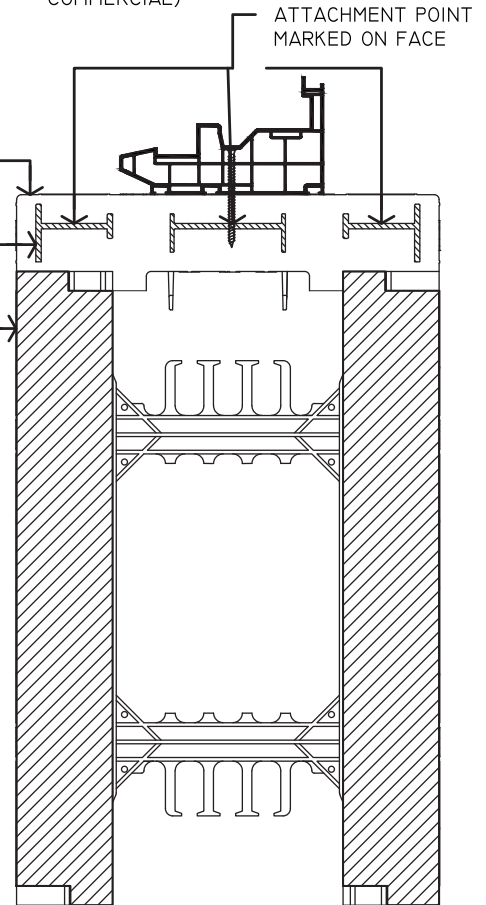
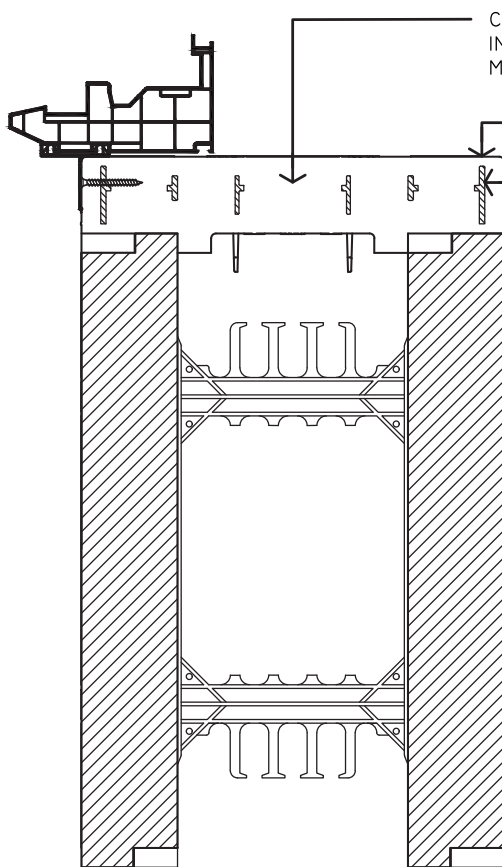
	<b>BUILDBUCK BRACING RECOMMENDATIONS</b>				
	DATE/REV	12/2015	SCALE	NTS	DETAIL SHEET
	NOTES				<h1 style="margin: 0;">62G</h1>
9705 N. BROADWAY EXTENSION, SUITE 200, OKLAHOMA CITY, OK 73114 OFFICE: 405-840-3386   TOLL FREE: 866-222-2575   FAX: 831-597-0792 BUILDBLOCK.COM		CONSTRUCTION SHALL BE IN ACCORDANCE WITH ALL APPLICABLE LOCAL AND NATIONAL CODES. ALL DRAWINGS ARE SUBJECT TO CHANGE WITHOUT NOTICE.			



FLANGE MOUNT  
(NEW CONSTRUCTION)



FACE MOUNT  
(REPLACEMENT /  
COMMERCIAL)



WINDOWS MAY BE INSTALLED EITHER AS A NEW CONSTRUCTION (FLANGED) WINDOW, OR A COMMERCIAL / REPLACEMENT (NON-FLANGED) WINDOW. FLANGED WINDOWS SHOULD BE INSTALLED TO THE OUTSIDE OF THE BUCK, USING THE SIDE ATTACHMENT POINT AS THE NAILER. WINDOWS WITHOUT A FLANGE SHOULD USE THE FACE ATTACHMENT POINTS, WHICH ARE MARKED BY BOUNDING BOXES ON THE FACE OF THE BUCK. USE SCREWS RECOMMENDED BY THE WINDOW MANUFACTURER, AND LONG ENOUGH TO EXTEND 1/2" INTO THE ATTACHMENT POINTS



9705 N. BROADWAY EXTENSION, SUITE 200, OKLAHOMA CITY, OK 73114  
 OFFICE: 405-840-3386 | TOLL FREE: 866-222-2575 | FAX: 831-597-0792  
 BUILDBLOCK.COM

**BUILDBUCK WINDOW MOUNTING RECOMMENDATIONS**

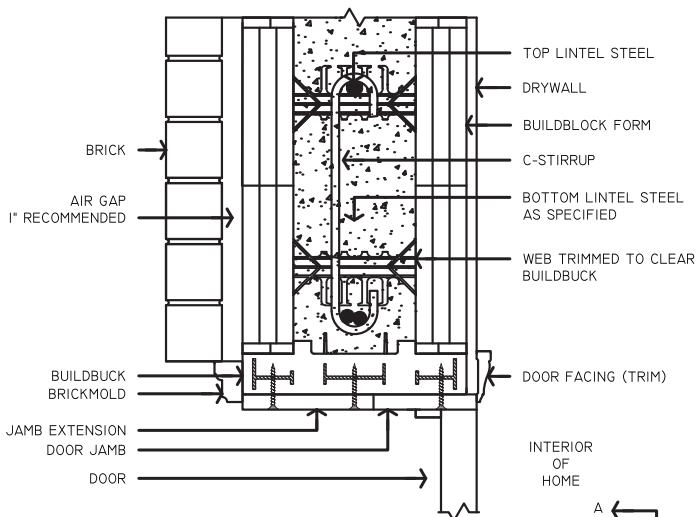
DATE/REV	12/2015	SCALE	NTS	DETAIL SHEET
----------	---------	-------	-----	--------------

NOTES

CONSTRUCTION SHALL BE IN ACCORDANCE WITH ALL APPLICABLE LOCAL AND NATIONAL CODES. ALL DRAWINGS ARE SUBJECT TO CHANGE WITHOUT NOTICE.

**62H**

SECTION: AA DOOR LINTEL



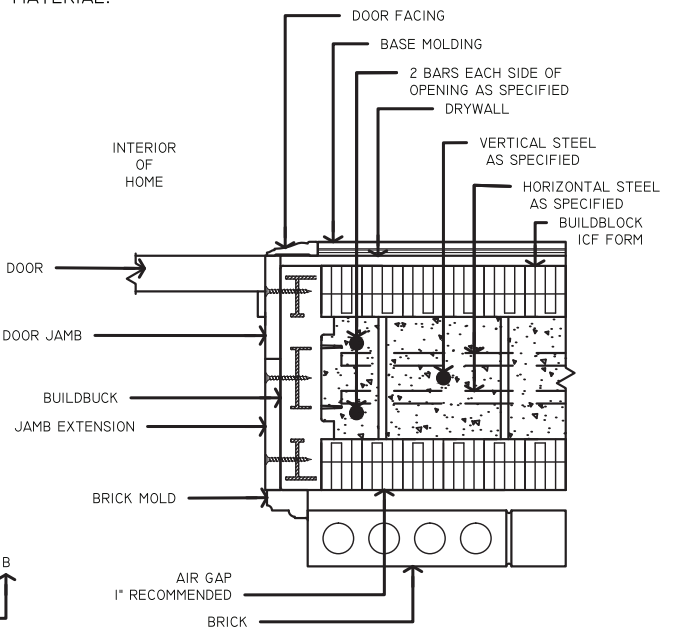
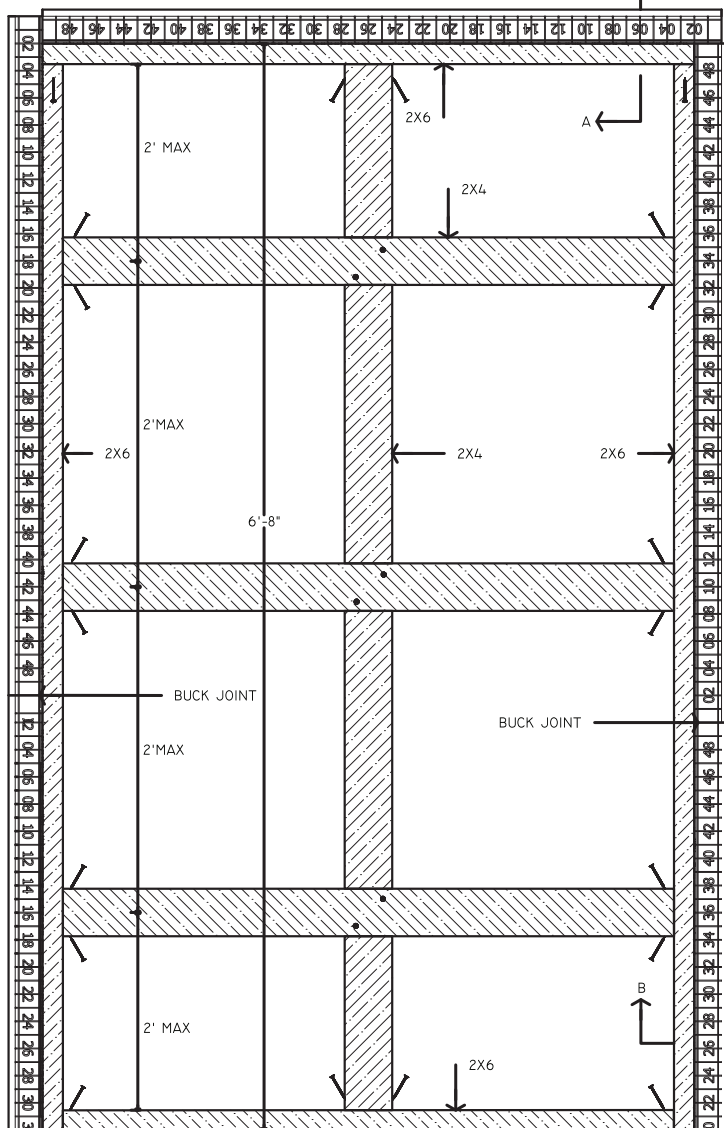
LINTELS (HEADERS ABOVE DOORS AND WINDOWS) SHOULD BE DESIGNED IN ACCORDANCE WITH SITE SPECIFIC ENGINEERING, BUILDBLOCK ENGINEERING MANUAL, PCA-100, THE PRESCRIPTIVE METHOD, OR OTHER APPLICABLE CODES OR ENGINEERING. HORIZONTAL LINTEL STEEL SHOULD EXTEND 2FT PAST EACH SIDE OF AN OPENING FOR BOTH TOP AND BOTTOM BARS. TOP LINTEL BAR IS TYPICALLY THE TOP HORIZONTAL BAR IN THE WALL, AND RUNS FULL LENGTH OF THE WALL IN THE TOP COURSE. "C" OR "S" STIRRUPS ARE USED TO SUPPORT BOTTOM BARS, AND SHOULD EXTEND FROM TOP REBAR TO WITHIN 1" TO 2" OF THE BOTTOM OF THE LINTEL. CENTER DISTANCE OF STIRRUPS IS SPECIFIED IN THE LINTEL TABLES IN THE ENGINEERING SOURCE. MAINTAIN CONCRETE COVERAGE OVER STIRRUPS, MINIMUM 3/4" FROM BACK OF BUCK TO STIRRUP. 1" IS RECOMMENDED.

DOOR INSTALLATION WITH BUILDBUCK:


DUE TO THE THICKNESS OF ICF WALL SYSTEMS, A JAMB EXTENDER OR ADDITIONAL TRIM WILL BE REQUIRED TO FULLY TRIM THE DOOR JAMBS. THESE MAY BE AVAILABLE FROM THE MANUFACTURER, OR BUILT ONSITE BY CONTRACTOR. DOOR MANUFACTURERS MAY HAVE OPTIONS FOR WIDER JAMBS WHEN ORDERING DOORS.

ALL HARDWARE SCREWS MUST BE SIZED TO EXTEND THROUGH THE MOLDED ATTACHMENT POINTS BY 1/2". THESE ARE LOCATED 3/4" BELOW THE FACE OF THE FOAM. ADD 1-1/4" TO THE THICKNESS OF JAMB MATERIAL FOR PROPER SCREW SIZING.

TAPCON OR RED-HEAD FASTENERS MAY BE USED TO FURTHER REINFORCE THE JAMBS, BY EMBEDDING INTO THE CONCRETE CORE OF THE WALL. FOR COMMERCIAL APPLICATIONS, OR HEAVY DUTY INSTALLATIONS, THE CONCRETE INSPECTION WINDOWS ON THE BUCK MAY BE REMOVED PRIOR TO POURING, ALLOWING THE CONCRETE TO FULLY FILL TO THE FACE OF THE BUCK. THIS PROVIDES A MORE DIRECT CONNECTION TO THE CONCRETE CORE, AND ADDITIONAL SUPPORT FOR JAMB MATERIAL. BRACING FOR OPENING SHOULD COVER THESE HOLES, ALLEVIATING THE NEED FOR ADDITIONAL FORMING MATERIAL.

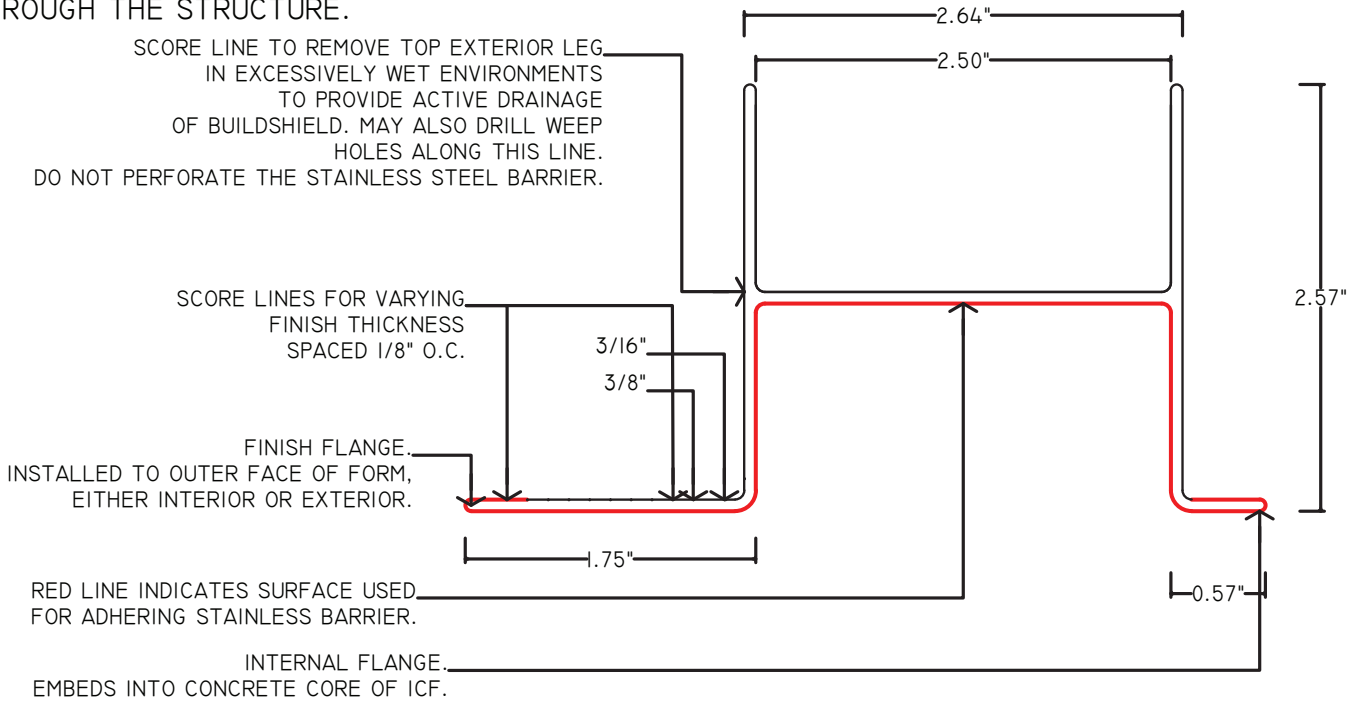


SECTION: BB TOP DOWN VIEW


 <p>9705 N. BROADWAY EXTENSION, SUITE 200, OKLAHOMA CITY, OK 73114                  OFFICE: 405-840-3386   TOLL FREE: 866-222-2575   FAX: 831-597-0792                  BUILDBLOCK.COM</p>	<b>BUILDBUCK DOOR INSTALLATION DETAIL</b>				DETAIL SHEET
	DATE/REV	12/2015	SCALE	NTS	<b>621</b>
	NOTES	CONSTRUCTION SHALL BE IN ACCORDANCE WITH ALL APPLICABLE LOCAL AND NATIONAL CODES. ALL DRAWINGS ARE SUBJECT TO CHANGE WITHOUT NOTICE.			

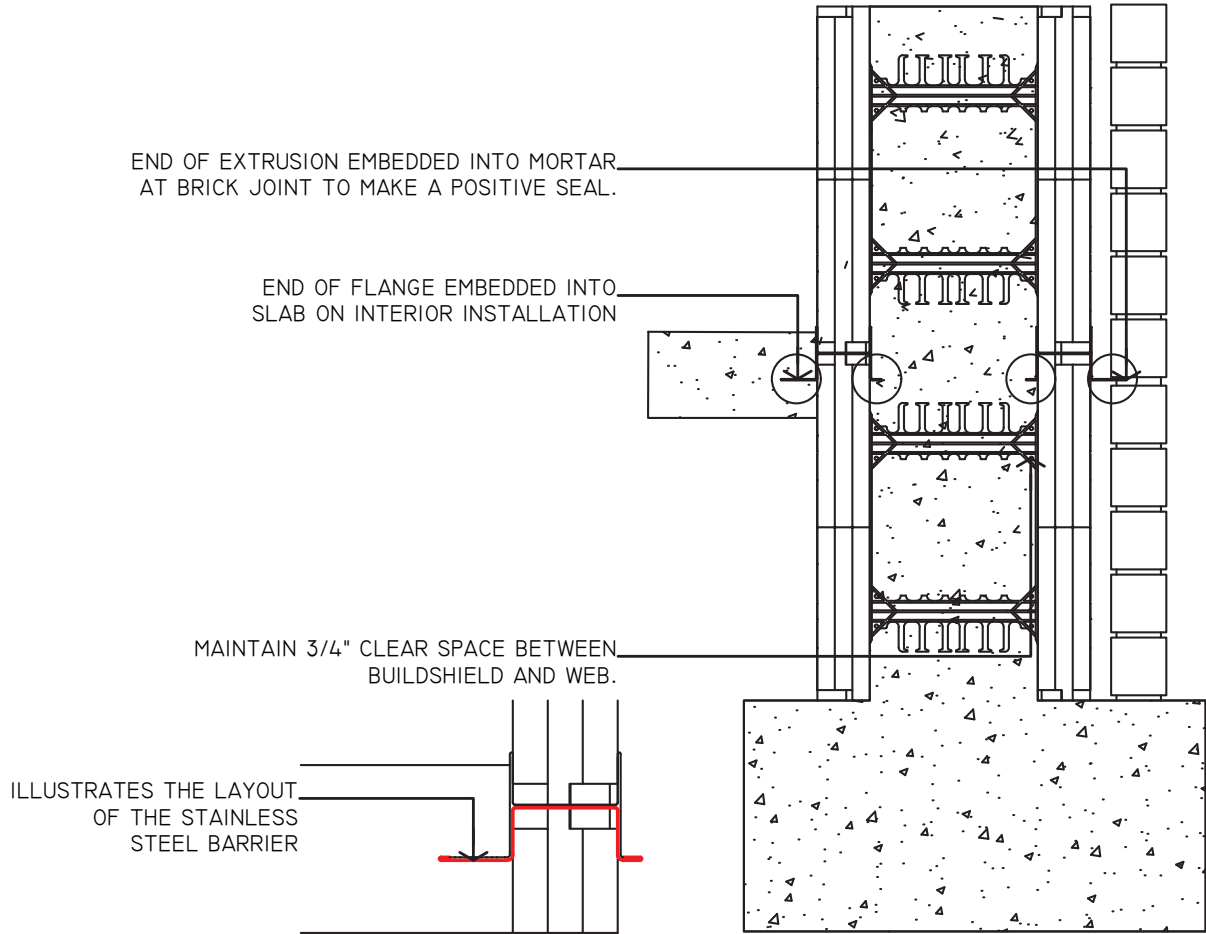
BUILDSHIELD TERMITE AND BUILDSHIELD FIRESTOP PROTECTION ARE A 2 PART SYSTEM CONSISTING OF A PVC EXTRUSION AND AN ADHESIVE STAINLESS STEEL BARRIER. THE COMBINATION OF INEDIBLE PLASTIC AND HIGH STRENGTH PUNCTURE RESISTANT STAINLESS STEEL CREATES AN IMPENETRABLE BARRIER TO TERMITE INTRUSION INTO YOUR HOME OR STRUCTURE.

BUILDSHIELD FIRESTOP PROTECTION CREATES A BARRIER BRIDGING THE EPS FOAM AT THE TOP OF A WALL AND BETWEEN FLOORS IN ICF STRUCTURES, ENSURING THAT HOT GASES FROM A FIRE DO NOT TRAVEL UP THE WALL, PREVENTING FASTER SPREAD OF THE FLAMES THROUGH THE STRUCTURE.




THE STAINLESS STEEL BARRIER PROVIDES A GAPLESS SEAL ALONG THE LENGTH OF THE EXTRUSION. SEAMS IN THE STAINLESS STEEL BARRIER SHOULD BE OVERLAPPED 2 INCHES. THE EXTRUSION SHAPES THE STAINLESS STEEL BARRIER EMBEDDING THE WRAPPED FLANGES INTO THE CONCRETE CORE, EXTERIOR WALL FINISHES, OR INTERIOR FLOOR SLAB. THE EXTRUSION ENSURES THAT THE BARRIER IS PROPERLY POSITIONED THROUGHOUT THE ENTIRE CONSTRUCTION PROCESS.

	<b>BUILDSHIELD PRODUCT DETAIL</b>				
	DATE/REV	12/2015	SCALE	NTS	DETAIL SHEET
	NOTES	CONSTRUCTION SHALL BE IN ACCORDANCE WITH ALL APPLICABLE LOCAL AND NATIONAL CODES. ALL DRAWINGS ARE SUBJECT TO CHANGE WITHOUT NOTICE.		<b>63A</b>	
9705 N. BROADWAY EXTENSION, SUITE 200, OKLAHOMA CITY, OK 73114 OFFICE: 405-840-3386   TOLL FREE: 866-222-2575   FAX: 831-597-0792 BUILDBLOCK.COM					

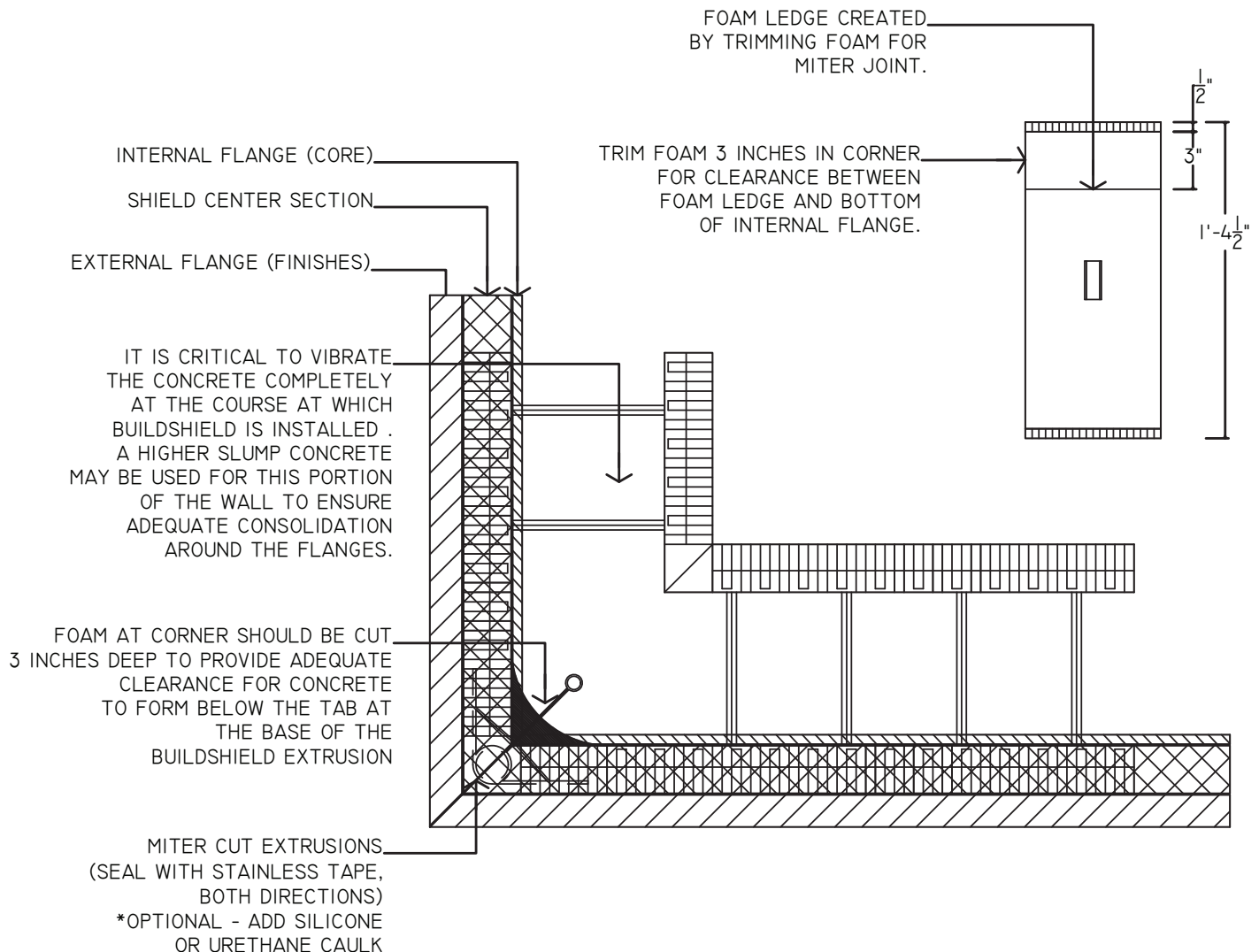



**BUILDSHIELD TERMITE INSTALLATION**

1. STACK ICF FORMS TO THE HEIGHT REQUIRED FOR PLACEMENT OF THE BUILDSHIELD TERMITE PROTECTION.
2. PRE-CUT ICF CORNER FORMS AS SHOWN IN DETAIL 63C FOR USE WITH BUILDSHIELD. TO ENSURE THE EXTRUSION WILL FIT COMPLETELY INTO THE CORNER OF THE FORM.
3. MITER CUT 2 EXTRUSIONS INTO THE CORNER BLOCK USING A MITER SAW, OR MITER TABLE. ENSURE THAT THE WIDE FLANGE IS TO THE OUTSIDE FACE OF THE BLOCK AWAY FROM THE CONCRETE CORE.
4. ROLL OUT THE ADHESIVE STAINLESS STEEL BARRIER ONTO THE TOP OF THE FORMS. LEAVE 2-1/2" OF TAPE EXTENDING OUT FROM THE EDGES OF THE CORNER BLOCK. ROLL OUT PLENTY OF STAINLESS BARRIER TO WORK WITH.
5. ALIGN THE CREASED EDGE LINES IN THE STAINLESS STEEL BARRIER WITH THE EDGES OF THE ICF FORM PANEL. NOTE: LEAVE THE WIDER PORTION OF THE BARRIER FROM THE SCORE LINES TO THE OUTSIDE FACE OF BLOCK. THE THINNER PORTION OF THE BARRIER FROM THE SCORE LINES TO THE INSIDE CORE OF THE BLOCK.
6. STARTING AT A CORNER, PLACE THE MITERED EXTRUSIONS DOWN OVER THE ADHESIVE STAINLESS STEEL BARRIER, WORKING DOWN THE WALL.
7. PLACE ALL EXTRUSIONS PRIOR TO WRAPPING THE ADHESIVE STAINLESS STEEL BARRIER AROUND THE EXTRUSION FLANGES.
8. WIPE THE EXTRUSION FLANGES CLEAN TO PREPARE FOR ADHESIVE BEFORE PROCEEDING TO THE NEXT STEP.
9. USING A SHARP RAZOR KNIFE, LIGHTLY SCORE THE PAPER AT THE BOTTOM OF THE EXTRUSION, AND PEEL IT BACK FROM THE STAINLESS STEEL, EXPOSING THE ADHESIVE. DO NOT PUNCTURE OR CUT STAINLESS STEEL. IF IT IS CUT, PLACE A PATCH OVER THE CUT, EXTENDING 2" EITHER SIDE OF CUT, AND BOND FULLY TO THE STAINLESS STEEL.
10. **CAUTION: WEARING PROTECTIVE GLOVES IS A NECESSITY FOR THE NEXT STEP. SERIOUS INJURY WILL RESULT. THE STAINLESS STEEL EDGES ARE VERY SHARP AND WILL EASILY CUT THROUGH YOUR HANDS.**
11. BEGIN WORKING THE ADHESIVE AGAINST THE EXTRUSION TAKING SPECIAL CARE TO REMOVE ANY GAPS OR BUBBLES. IT HELPS TO SLIDE ONE'S HANDS AGAINST THE STEEL TO BOND THE ADHESIVE AND TO HELP BEND THE STAINLESS STEEL BARRIER. HOLD THE EXTRUSION DOWN AS THE STAINLESS STEEL IS BEING FOLDED UNDER AND AROUND THE FLANGE. THIS IS ESPECIALLY CRITICAL AT THE EDGES OF THE FLANGES, AS THE STAINLESS STEEL MUST BE FORMED TIGHTLY AROUND THE SMALL RADIUS.
12. CONTINUE TO WORK THE STAINLESS STEEL BARRIER ONTO THE TOP OF THE FLANGES, SEALING IT FULLY IN PLACE.
13. WHEN LAPPING STAINLESS STEEL AT CORNERS, REMOVE THE PAPER BACKING FROM THE STAINLESS STEEL BARRIER ON BOTTOM TO FULLY ADHERE IT TO THE STAINLESS STEEL ABOVE WHERE THE BARRIERS OVERLAP. TAKE CARE TO ENSURE THAT ALL STAINLESS STEEL IS LAPPED AND BONDED AT THE CORNER TO ELIMINATE ANY GAPS. SMALL PIECES OF BARRIER MAY BE CUT TO COVER ANY REMAINING GAPS. COMPLETE COVERAGE OF THE BARRIER IS ESSENTIAL AT THE CORNERS.
14. IF BUILDSHIELD IS BEING INSTALLED WITH THE STAINLESS ABOVE THE EXTRUSION, ENSURE PROPER ORIENTATION OF THE EXTRUSION, AND PLACE IT ON TOP OF THE COURSE. FOLD THE STAINLESS STEEL BARRIER AT THE CREASES TO EASE PLACEMENT OF THE ICF FORMS, AND INSERT INTO THE EXTRUSION. PLACE THE TOP ICF FORM INTO THE EXTRUSION, INSIDE THE STAINLESS STEEL BARRIER, AND FOLLOW STEPS ABOVE FOR SCORING THE PAPER AND ADHERING THE STAINLESS TO THE EXTRUSION, WORKING FROM THE ICF TO THE BOTTOM SIDE OF THE FLANGES.
15. IF BUILDSHIELD IS USED FOR A CONCRETE FLOOR SYSTEM, ENSURE THAT THE STAINLESS STEEL IS SET SO THAT IT IS FULLY EMBEDDED INTO THE CONCRETE SLAB. LEAVE AT LEAST 3/4" COVERAGE OF CONCRETE MINIMUM OVER AND UNDER THE FLANGES.
16. ENSURE THAT BUILDSHIELD EXTENDS TO OR PAST THE EXTERIOR FINISH OF THE WALL. FOR BRICK BUILDSHIELD SHOULD EXTEND INTO THE MORTAR JOINT BETWEEN 2 COURSES. THE HOLES MUST BE GROUTED FULL ON THE COURSE ABOVE AND BELOW THE BUILDSHIELD INSTALLATION. FOR STUCCO OR EIFS, THE EXTERIOR FLANGE SHOULD BE SHORTENED TO EXTEND FLUSH OR SLIGHTLY BEYOND THE FINISH THICKNESS OF THE FINISH. SIDING AND OTHER FINISHES MAY BENEFIT FROM THE FULL LENGTH OF THE FLANGE TO ENSURE EASY INSPECTIONS FOR TERMITE MUD TUBES.
17. NOTE: ICF BLOCKS MAY NEED TO BE CUT TO A PARTICULAR WALL HEIGHT TO ALLOW FOR PROPER PLACEMENT OF THE BUILDSHIELD FLANGE WITHIN THE WALL SYSTEM.
18. REMOVE INTERLOCK FINGERS ON THE ICF FORM IN THE COURSE ABOVE BUILDSHIELD THAT FITS INTO THE EXTRUSION. IF EXTRUSIONS ARE USED ON BOTH SIDES, YOU DO NOT HAVE TO REMOVE THE FINGERS, BUT THIS WILL AFFECT COURSING HEIGHT. IN ORDER TO MAINTAIN COURSING HEIGHT, REMOVAL OF THE FINGERS IS REQUIRED. IF BUILDSHIELD IS PLACED ONLY ON ONE SIDE OF THE FORM, RASP THE THICKNESS OF THE BUILDSHIELD EXTRUSION FROM THE COURSE WITH THE INTERLOCKS REMOVED TO KEEP THE WALL PLUMB.
19. NOTE: BUILDSHIELD MAY ALSO BE USED UNDER A CRAWLSPACE IN ORDER TO ALLOW INSPECTION FOR MUD TUBES AND OTHER SIGNS OF TERMITE ACTIVITY. ENSURE AT LEAST 4" CLEAR SPACE BETWEEN BUILDSHIELD AND FLOOR SYSTEM FOR VISUAL INSPECTION. BUILDBLOCK RECOMMENDS INSPECTING AT LEAST TWICE PER YEAR FOR CRAWLSPACE INSTALLATIONS, SPRING AND FALL.

	<b>BUILDSHIELD TERMITE INSTALLATION</b>				
	DATE/REV	12/2015	SCALE	NTS	DETAIL SHEET
	NOTES				<b>63B</b>
9705 N. BROADWAY EXTENSION, SUITE 200, OKLAHOMA CITY, OK 73114 OFFICE: 405-840-3386   TOLL FREE: 866-222-2575   FAX: 831-597-0792 BUILDBLOCK.COM		CONSTRUCTION SHALL BE IN ACCORDANCE WITH ALL APPLICABLE LOCAL AND NATIONAL CODES. ALL DRAWINGS ARE SUBJECT TO CHANGE WITHOUT NOTICE.			

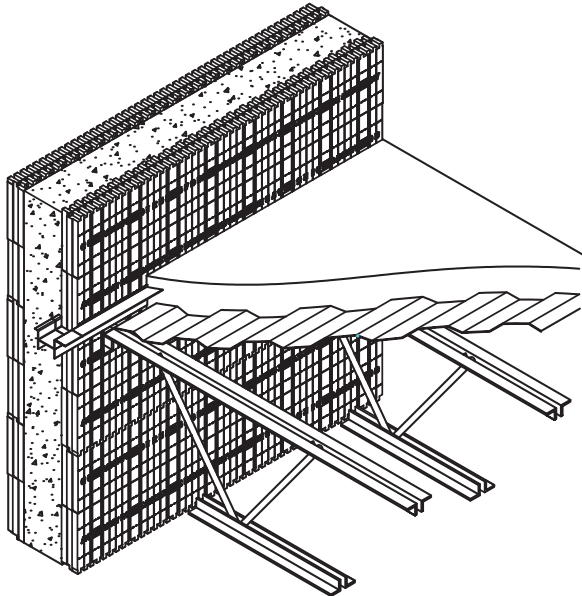
1. BEGIN ALL BUILDSHIELD INSTALLATIONS AT THE CORNERS.
2. THE CORNER FORMS IMMEDIATELY ABOVE AND BELOW THE BUILDSHIELD INSTALLATION MUST BE PREPARED PRIOR TO INSTALLING BUILDSHIELD.
3. THE INTERNAL FOAM RADIUS IN THE CORNER FORMS SHOULD BE CUT OUT TO PROVIDE ADEQUATE CLEARANCE FOR BUILDSHIELD EXTRUSIONS. THE CUTS SHOULD BE MADE 3" DEEP, AND SHOULD MAINTAIN THE PANEL THICKNESS AT 2-1/2" INTO THE CORNER.
4. MAKE ALL CUTS AWAY FROM THE STACKED FORMS, TO AVOID FILLING THE CORES WITH FOAM PIECES OR BEADS.
5. BUILDSHIELD EXTRUSIONS SHOULD HAVE A MITER CUT, MADE ON A MITER SAW OR IN A MITER BOX.
6. MITER JOINTS SHOULD HAVE STAINLESS STEEL BARRIERS OVERLAP FROM EACH DIRECTION, AND BARRIERS SHOULD BE FULLY BONDED TOGETHER, BY REMOVING THE ADHESIVE PAPER FROM THE BOTTOM BARRIER. TAKE CARE TO AVOID ANY BUBBLES OR WRINKLES. READ FULL INSTALLATION INSTRUCTIONS BEFORE BEGINNING.
7. WHEN POURING WALLS, IT IS NECESSARY TO FULLY VIBRATE THIS AREA, TO ENSURE THAT CONCRETE IS PROPERLY CONSOLIDATED AROUND THE FLANGE. ADDITIONALLY, SLIGHTLY HIGHER SLUMP CONCRETE (THINNER) MAY BE USED TO HELP ASSURE COMPLETE CONSOLIDATION AROUND THE FLANGES. DO NOT EXCEED A 6" TO 7" SLUMP.



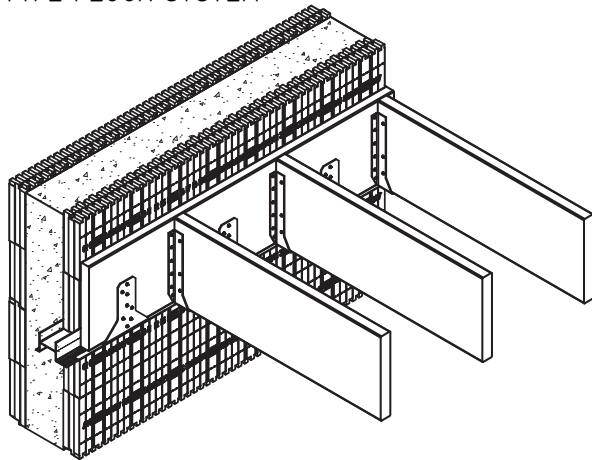
	<b>BUILDSHIELD CORNER FORM MODIFICATION</b>			DETAIL SHEET
	DATE/REV	12/2015	SCALE	NTS
	NOTES			
9705 N. BROADWAY EXTENSION, SUITE 200, OKLAHOMA CITY, OK 73114 OFFICE: 405-840-3386   TOLL FREE: 866-222-2575   FAX: 831-597-0792 BUILDBLOCK.COM				<b>63C</b>
CONSTRUCTION SHALL BE IN ACCORDANCE WITH ALL APPLICABLE LOCAL AND NATIONAL CODES. ALL DRAWINGS ARE SUBJECT TO CHANGE WITHOUT NOTICE.				



**BUILDSHIELD INSTALLATION CONCRETE FLOOR SYSTEM**




**BUILDSHIELD INSTALLATION JOIST TYPE FLOOR SYSTEM**

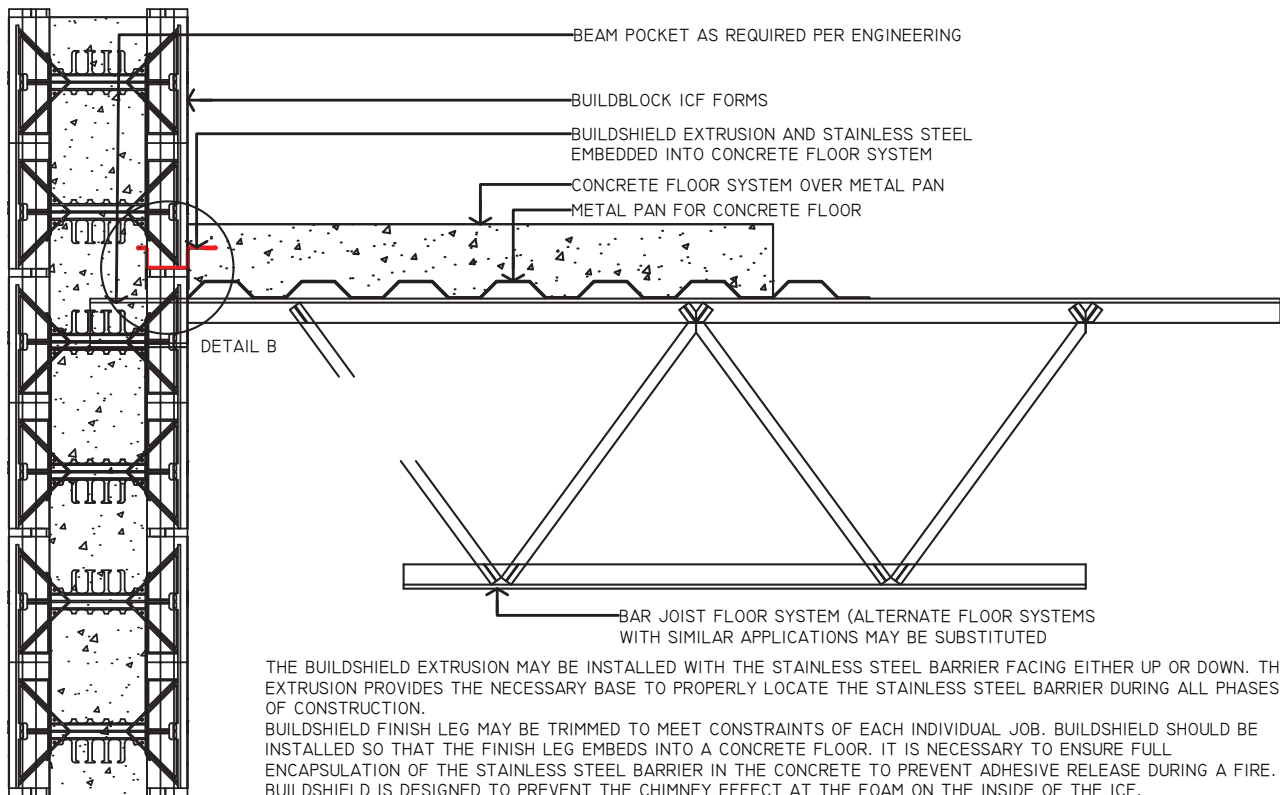
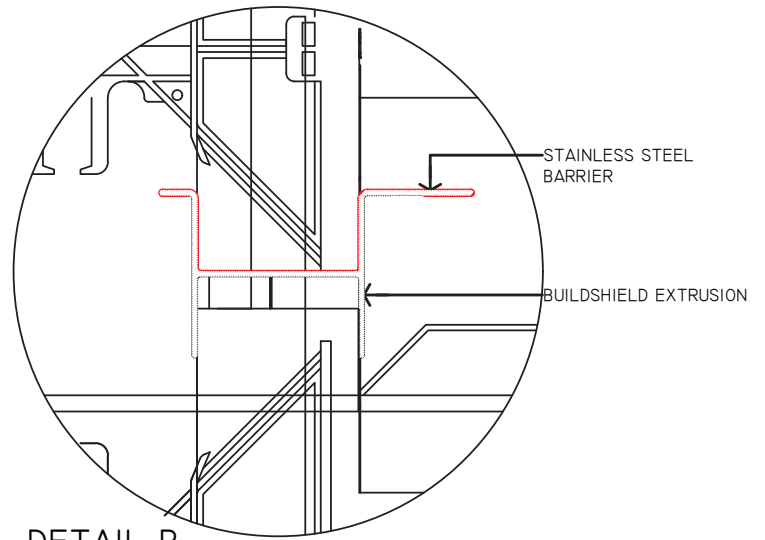


**BUILDSHIELD FIRESTOP INSTALLATION**

1. STACK ICF FORMS TO THE HEIGHT REQUIRED FOR PLACEMENT OF THE BUILDSHIELD FIRESTOP.
2. PRE-CUT ICF CORNER FORMS AS SHOWN IN DETAIL 63C FOR USE WITH BUILDSHIELD, TO ENSURE THE EXTRUSION WILL FIT COMPLETELY INTO THE CORNER OF THE FORM.
3. MITER CUT 2 EXTRUSIONS INTO THE CORNER BLOCK USING A MITER SAW, OR MITER TABLE. ENSURE THAT THE WIDE FLANGE IS TO THE OUTSIDE FACE OF THE BLOCK AWAY FROM THE CONCRETE CORE.
4. ROLL OUT THE ADHESIVE STAINLESS STEEL BARRIER ONTO THE TOP OF THE FORMS. LEAVE 2" OF TAPE EXTENDING OUT FROM THE EDGES OF THE CORNER BLOCK. ROLL OUT PLENTY OF STAINLESS BARRIER TO WORK WITH.
5. ALIGN THE CREASED EDGE LINES IN THE STEEL WITH THE EDGES OF THE ICF FORM PANEL. NOTE: LEAVE THE WIDER PORTION OF THE BARRIER FROM THE SCORE LINES TO THE OUTSIDE FACE OF BLOCK. THE THINNER PORTION OF THE BARRIER FROM THE SCORE LINES TO THE INSIDE CORE OF THE BLOCK.
6. STARTING AT A CORNER, PLACE THE MITERED EXTRUSION DOWN OVER THE ADHESIVE STAINLESS STEEL BARRIER, WORKING DOWN THE WALL.
7. PLACE ALL EXTRUSIONS PRIOR TO WRAPPING THE ADHESIVE STAINLESS STEEL BARRIER AROUND THE EXTRUSION FLANGES.
8. WIPE THE EXTRUSION FLANGES CLEAN TO PREPARE FOR ADHESIVE BEFORE PROCEEDING TO THE NEXT STEP.
9. USING A SHARP RAZOR KNIFE, LIGHTLY SCORE THE PAPER AT THE BOTTOM OF THE EXTRUSION, AND PEEL IT BACK FROM THE STAINLESS STEEL, EXPOSING THE ADHESIVE. DO NOT PUNCTURE OR CUT STAINLESS STEEL. IF IT IS CUT, PLACE A PATCH OVER THE CUT, EXTENDING 2" EITHER SIDE OF CUT, AND BOND FULLY TO THE STAINLESS STEEL.
10. CAUTION: WEARING PROTECTIVE GLOVES IS A NECESSITY FOR THE NEXT STEP. SERIOUS INJURY WILL RESULT. THE STAINLESS STEEL EDGES ARE VERY SHARP AND WILL EASILY CUT THROUGH YOUR HANDS.
11. BEGIN WORKING THE ADHESIVE AGAINST THE EXTRUSION TAKING SPECIAL CARE TO REMOVE ANY GAPS OR BUBBLES. IT HELPS TO SLIDE ONE'S HANDS AGAINST THE STEEL TO BOND THE ADHESIVE AND TO HELP BEND THE STAINLESS STEEL BARRIER. HOLD THE EXTRUSION DOWN AS THE STAINLESS STEEL IS BEING FOLDED UNDER AND AROUND THE FLANGE. THIS IS ESPECIALLY CRITICAL AT THE EDGES OF THE FLANGES, AS THE STAINLESS STEEL MUST BE FORMED TIGHTLY AROUND THE SMALL RADIUS.
12. CONTINUE TO WORK THE STAINLESS STEEL BARRIER ONTO THE TOP OF THE FLANGES, SEALING IT FULLY IN PLACE.
13. WHEN LAPPING STAINLESS STEEL AT CORNERS, REMOVE THE PAPER BACKING FROM THE STAINLESS STEEL BARRIER ON BOTTOM TO FULLY ADHERE IT TO THE STAINLESS STEEL ABOVE WHERE THE BARRIERS OVERLAP. TAKE CARE TO ENSURE THAT ALL STAINLESS STEEL IS LAPPED AND BONDED AT THE CORNER TO ELIMINATE ANY GAPS. SMALL PIECES OF BARRIER MAY BE CUT TO COVER ANY REMAINING GAPS. COMPLETE COVERAGE OF THE BARRIER IS ESSENTIAL AT THE CORNERS.
14. IF BUILDSHIELD IS BEING INSTALLED WITH THE STAINLESS ABOVE THE EXTRUSION, ENSURE PROPER ORIENTATION OF THE EXTRUSION, AND PLACE IT ON TOP OF THE COURSE. FOLD THE STAINLESS STEEL BARRIER AT THE CREASES TO EASE PLACEMENT OF THE ICF FORMS, AND INSERT INTO THE EXTRUSION. PLACE THE TOP ICF FORM INTO THE EXTRUSION, INSIDE THE STAINLESS STEEL BARRIER, AND FOLLOW STEPS ABOVE FOR SCORING THE PAPER AND ADHERING THE STAINLESS TO THE EXTRUSION, WORKING FROM THE ICF TO THE BOTTOM SIDE OF THE FLANGES.
15. IF BUILDSHIELD IS USED FOR A CONCRETE FLOOR SYSTEM, ENSURE THAT THE STAINLESS STEEL IS SET SO THAT IT IS FULLY EMBEDDED INTO THE CONCRETE SLAB. LEAVE AT LEAST 1/2" COVERAGE OF CONCRETE MINIMUM OVER AND UNDER THE FLANGES.
16. ENSURE THAT BUILDSHIELD EXTENDS TO OR PAST THE EXTERIOR FINISH OF THE WALL. FOR BRICK BUILDSHIELD SHOULD EXTEND INTO THE MORTAR JOINT BETWEEN 2 COURSES. THE HOLES MUST BE GROUTED FULL ON THE COURSE ABOVE AND BELOW THE BUILDSHIELD INSTALLATION. FOR STUCCO OR EIFS, THE EXTERIOR FLANGE SHOULD BE SHORTENED TO EXTEND FLUSH OR SLIGHTLY BEYOND THE FINISH THICKNESS OF THE FINISH. SIDING AND OTHER FINISHES MAY BENEFIT FROM THE FULL LENGTH OF THE FLANGE TO ENSURE EASY INSPECTIONS FOR TERMITE MUD TUBES.
17. NOTE: ICF BLOCKS MAY NEED TO BE CUT TO A PARTICULAR WALL HEIGHT TO ALLOW FOR PROPER PLACEMENT OF THE BUILDSHIELD FLANGE WITHIN THE WALL SYSTEM.
18. REMOVE INTERLOCK FINGERS ON THE ICF FORM IN THE COURSE ABOVE BUILDSHIELD THAT FITS INTO THE EXTRUSION. IF EXTRUSIONS ARE USED ON BOTH SIDES, YOU DO NOT HAVE TO REMOVE THE FINGERS, BUT THIS WILL AFFECT COURSING HEIGHT. IN ORDER TO MAINTAIN COURSING HEIGHT, REMOVAL OF THE FINGERS IS REQUIRED. IF BUILDSHIELD IS PLACED ONLY ON ONE SIDE OF THE FORM, RASP THE THICKNESS OF THE BUILDSHIELD EXTRUSION FROM THE COURSE WITH THE INTERLOCK REMOVED TO KEEP THE WALL PLUMB.
19. MECHANICAL ATTACHMENTS SUCH AS PAN HEAD SCREWS SHOULD BE PLACED THROUGH THE STAINLESS STEEL BARRIER INTO THE WOOD OR STEEL JOISTS AT 12" O.C. THIS WILL PREVENT THE BARRIER FROM SAGGING DURING A FIRE.


	<b>BUILDSHIELD FIRESTOP INSTALLATION</b>				
	DATE/REV	12/2015	SCALE	NTS	DETAIL SHEET
	NOTES				<b>63D</b>
9705 N. BROADWAY EXTENSION, SUITE 200, OKLAHOMA CITY, OK 73114 OFFICE: 405-840-3386   TOLL FREE: 866-222-2575   FAX: 831-597-0792 BUILDBLOCK.COM		CONSTRUCTION SHALL BE IN ACCORDANCE WITH ALL APPLICABLE LOCAL AND NATIONAL CODES. ALL DRAWINGS ARE SUBJECT TO CHANGE WITHOUT NOTICE.			

1. BUILDSHIELD FIRESTOP SHOULD BE PLACED SO THAT THE FLANGES ALIGN WITH THE TOP OR BOTTOM OF A JOIST TYPE FLOOR SYSTEM.
2. BUILDSHIELD FIRESTOP SHOULD NOT BE INSTALLED SUCH THAT THE FLANGE IS CUT FLUSH WITH THE EPS, AND ALIGNING IN THE CENTER OF THE RIM JOIST.
3. THE STAINLESS STEEL BARRIER MUST HAVE NO HOLES, GAPS, BUBBLES OR WRINKLES. IF NECESSARY, CUT SMALL PIECES OF STAINLESS STEEL BARRIER TO CREATE PATCHES.
4. OVERLAP SHOULD BE 2" MINIMUM AT ALL SEAMS AND PATCHES.

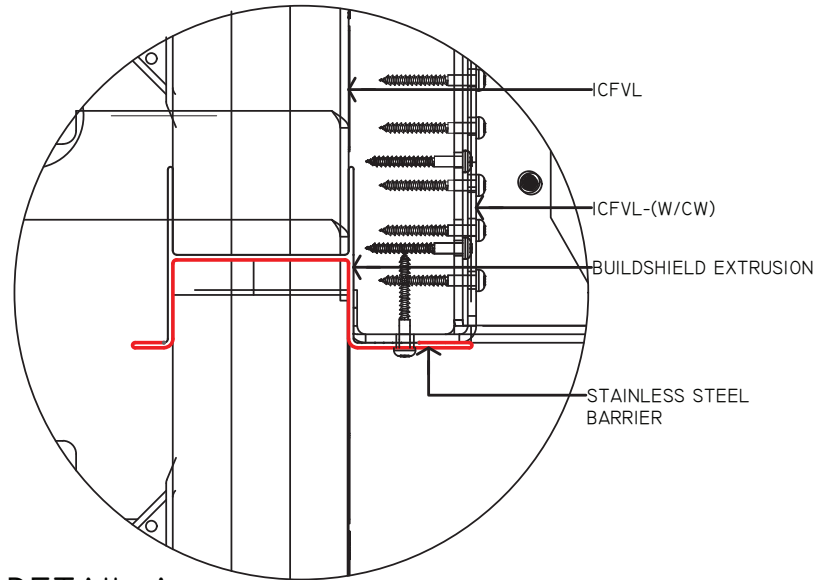


THE BUILDSHIELD EXTRUSION MAY BE INSTALLED WITH THE STAINLESS STEEL BARRIER FACING EITHER UP OR DOWN. THE EXTRUSION PROVIDES THE NECESSARY BASE TO PROPERLY LOCATE THE STAINLESS STEEL BARRIER DURING ALL PHASES OF CONSTRUCTION.

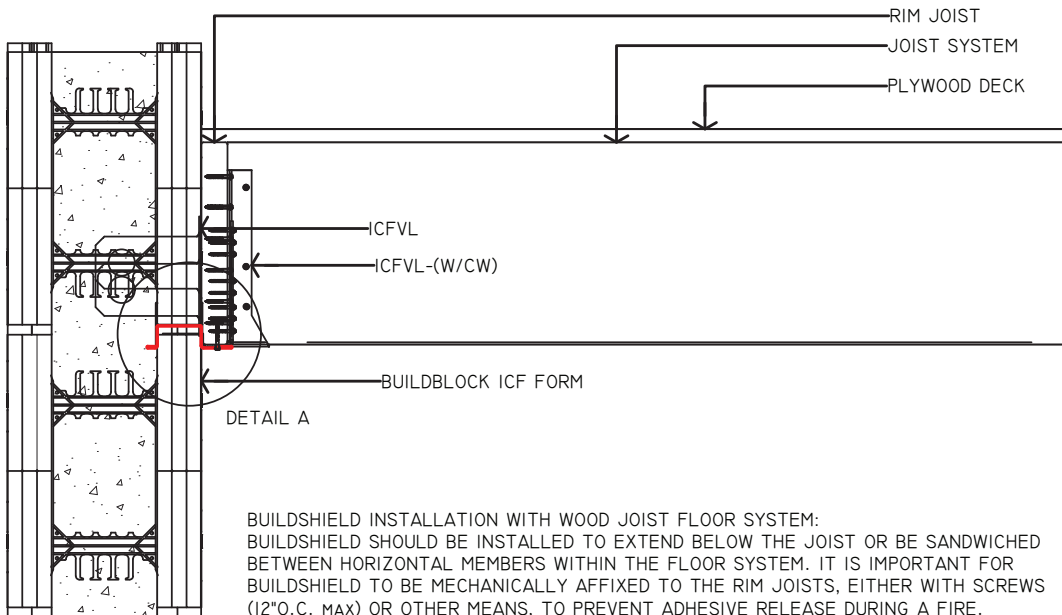
BUILDSHIELD FINISH LEG MAY BE TRIMMED TO MEET CONSTRAINTS OF EACH INDIVIDUAL JOB. BUILDSHIELD SHOULD BE INSTALLED SO THAT THE FINISH LEG EMBEDS INTO A CONCRETE FLOOR. IT IS NECESSARY TO ENSURE FULL ENCAPSULATION OF THE STAINLESS STEEL BARRIER IN THE CONCRETE TO PREVENT ADHESIVE RELEASE DURING A FIRE. BUILDSHIELD IS DESIGNED TO PREVENT THE CHIMNEY EFFECT AT THE FOAM ON THE INSIDE OF THE ICF.

	<b>BUILDSHIELD FIRESTOP CONCRETE FLOOR SYSTEM</b>				
	DATE/REV	12/2015	SCALE	NTS	DETAIL SHEET
	NOTES				<b>63E</b>
9705 N. BROADWAY EXTENSION, SUITE 200, OKLAHOMA CITY, OK 73114 OFFICE: 405-840-3386   TOLL FREE: 866-222-2575   FAX: 831-597-0792 BUILDBLOCK.COM		CONSTRUCTION SHALL BE IN ACCORDANCE WITH ALL APPLICABLE LOCAL AND NATIONAL CODES. ALL DRAWINGS ARE SUBJECT TO CHANGE WITHOUT NOTICE.			

1. BUILDSHIELD FIRESTOP SHOULD BE PLACED SO THAT THE FLANGES ALIGN WITH THE TOP OR BOTTOM OF A JOIST TYPE FLOOR SYSTEM.
2. BUILDSHIELD FIRESTOP SHOULD NOT BE INSTALLED SUCH THAT THE FLANGE IS CUT FLUSH WITH THE EPS, AND ALIGNING IN THE CENTER OF THE RIM JOIST.
3. THE STAINLESS STEEL BARRIER MUST HAVE NO HOLES, GAPS, BUBBLES OR WRINKLES. IF NECESSARY, CUT SMALL PIECES OF STAINLESS STEEL BARRIER TO CREATE PATCHES.
4. OVERLAP SHOULD BE 2" MINIMUM AT ALL SEAMS AND PATCHES.
5. MECHANICAL ATTACHMENTS SUCH AS PAN HEAD SCREWS SHOULD BE PLACED THROUGH THE STAINLESS STEEL BARRIER INTO THE WOOD OR STEEL RIM JOISTS AT 12' O.C. THIS WILL PREVENT THE BARRIER FROM SAGGING DURING A FIRE. SEE DETAIL A.



DETAIL A



DETAIL A

BUILDSHIELD INSTALLATION WITH WOOD JOIST FLOOR SYSTEM:  
 BUILDSHIELD SHOULD BE INSTALLED TO EXTEND BELOW THE JOIST OR BE SANDWICHED BETWEEN HORIZONTAL MEMBERS WITHIN THE FLOOR SYSTEM. IT IS IMPORTANT FOR BUILDSHIELD TO BE MECHANICALLY AFFIXED TO THE RIM JOISTS, EITHER WITH SCREWS (12" O.C. MAX) OR OTHER MEANS, TO PREVENT ADHESIVE RELEASE DURING A FIRE. BUILDSHIELD IS DESIGNED TO PREVENT THE CHIMNEY EFFECT AT THE FOAM ON THE INSIDE OF THE ICF.



9705 N. BROADWAY EXTENSION, SUITE 200, OKLAHOMA CITY, OK 73114  
 OFFICE: 405-840-3386 | TOLL FREE: 866-222-2575 | FAX: 831-597-0792  
 BUILDBLOCK.COM

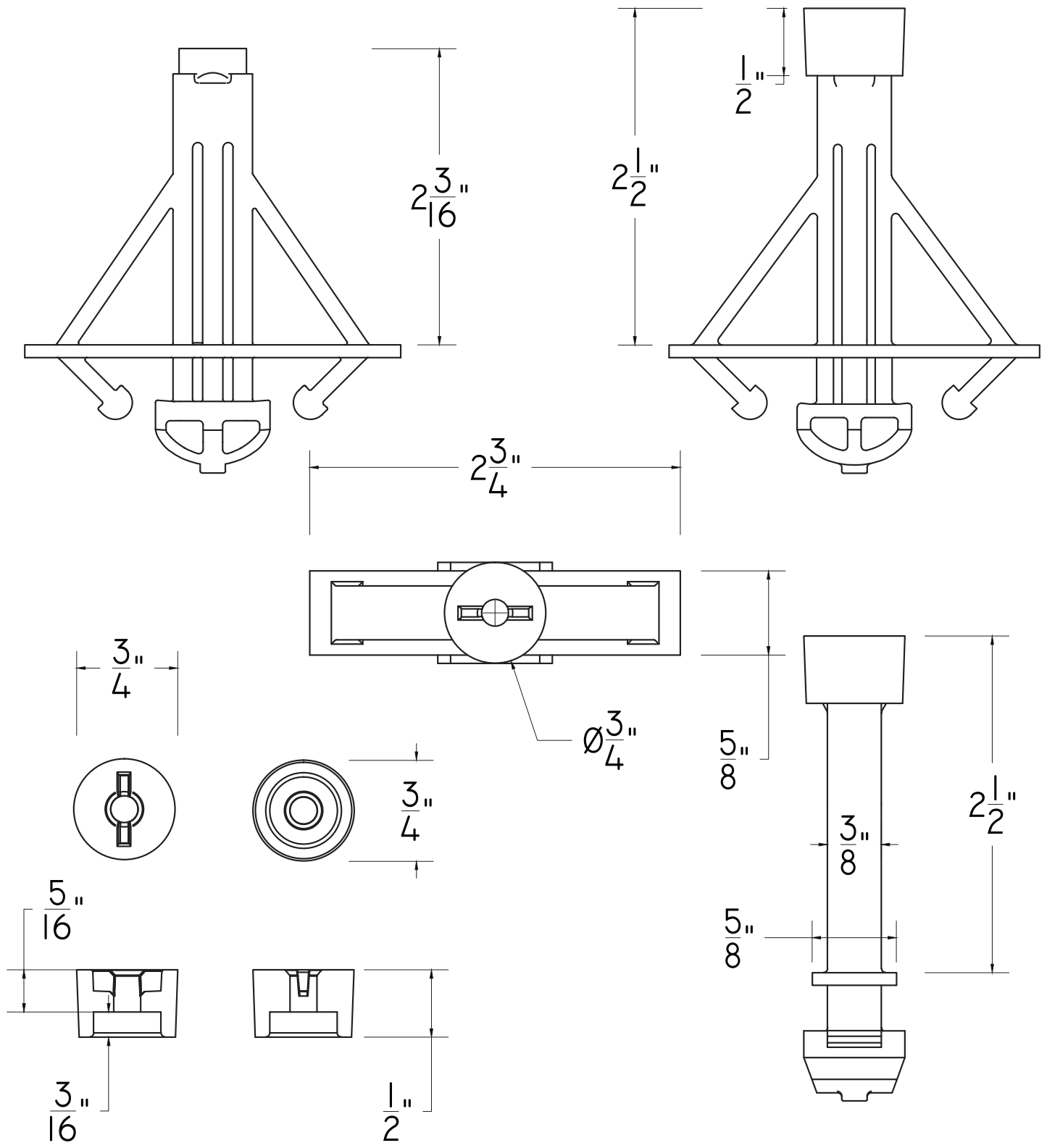
BUILDSHIELD FIRESTOP WITH WOOD/METAL FLOOR SYSTEM


DATE/REV	12/2015	SCALE	NTS	DETAIL SHEET
----------	---------	-------	-----	--------------

NOTES

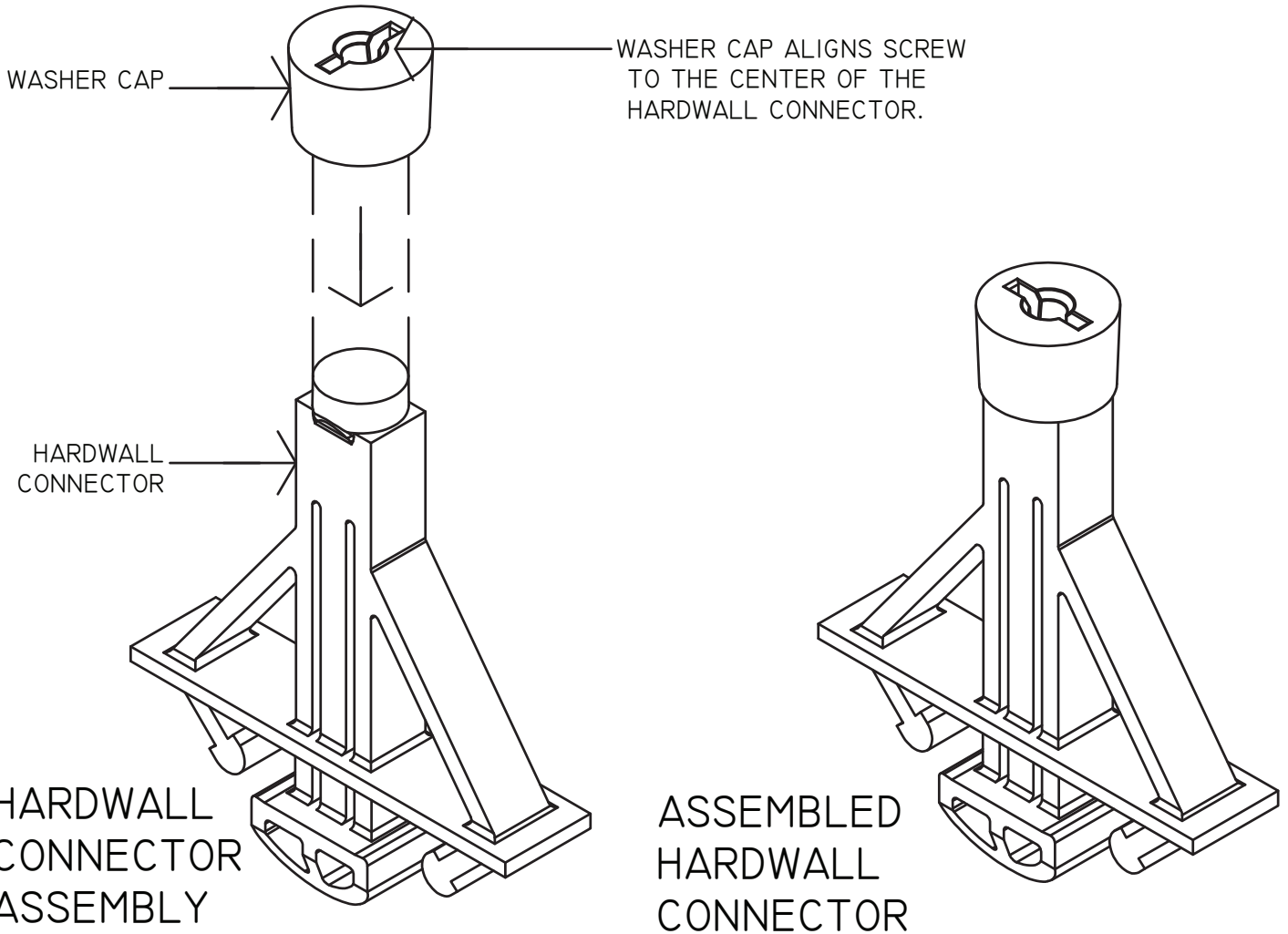
CONSTRUCTION SHALL BE IN ACCORDANCE WITH ALL APPLICABLE LOCAL AND NATIONAL CODES. ALL DRAWINGS ARE SUBJECT TO CHANGE WITHOUT NOTICE.

**63F**




 <p>9705 N. BROADWAY EXTENSION, SUITE 200, OKLAHOMA CITY, OK 73114                  OFFICE: 405-840-3386   TOLL FREE: 866-222-2575   FAX: 831-597-0792                  BUILDBLOCK.COM</p>	<b>BUILDBLOCK HARDWALL PRODUCT DETAIL</b>			DETAIL SHEET
	DATE/REV	12/2015	SCALE	NTS
	NOTES			
CONSTRUCTION SHALL BE IN ACCORDANCE WITH ALL APPLICABLE LOCAL AND NATIONAL CODES. ALL DRAWINGS ARE SUBJECT TO CHANGE WITHOUT NOTICE.				<b>64A</b>

BUILDBLOCK HARDWALL IS A TWO PART ASSEMBLY ALLOWING CONNECTION OF PLYWOOD FORMING MATERIAL TO A BUILDBLOCK KNOCKDOWN PANEL. THIS CREATES A CONCRETE FACED WALL WITH A BUILT IN INSULATION LAYER. THIS SOLUTION IS APPROPRIATE FOR STAIRWELLS, ELEVATOR SHAFTS, BASEMENT PARKING, AND LOWER WALL SECTIONS IN MANUFACTURING AND WAREHOUSE FACILITIES WHERE IMPACT RESISTANCE, DURABILITY OR REMOVAL OF ALL FLAMMABLE MATERIAL IS DESIRED OR REQUIRED.



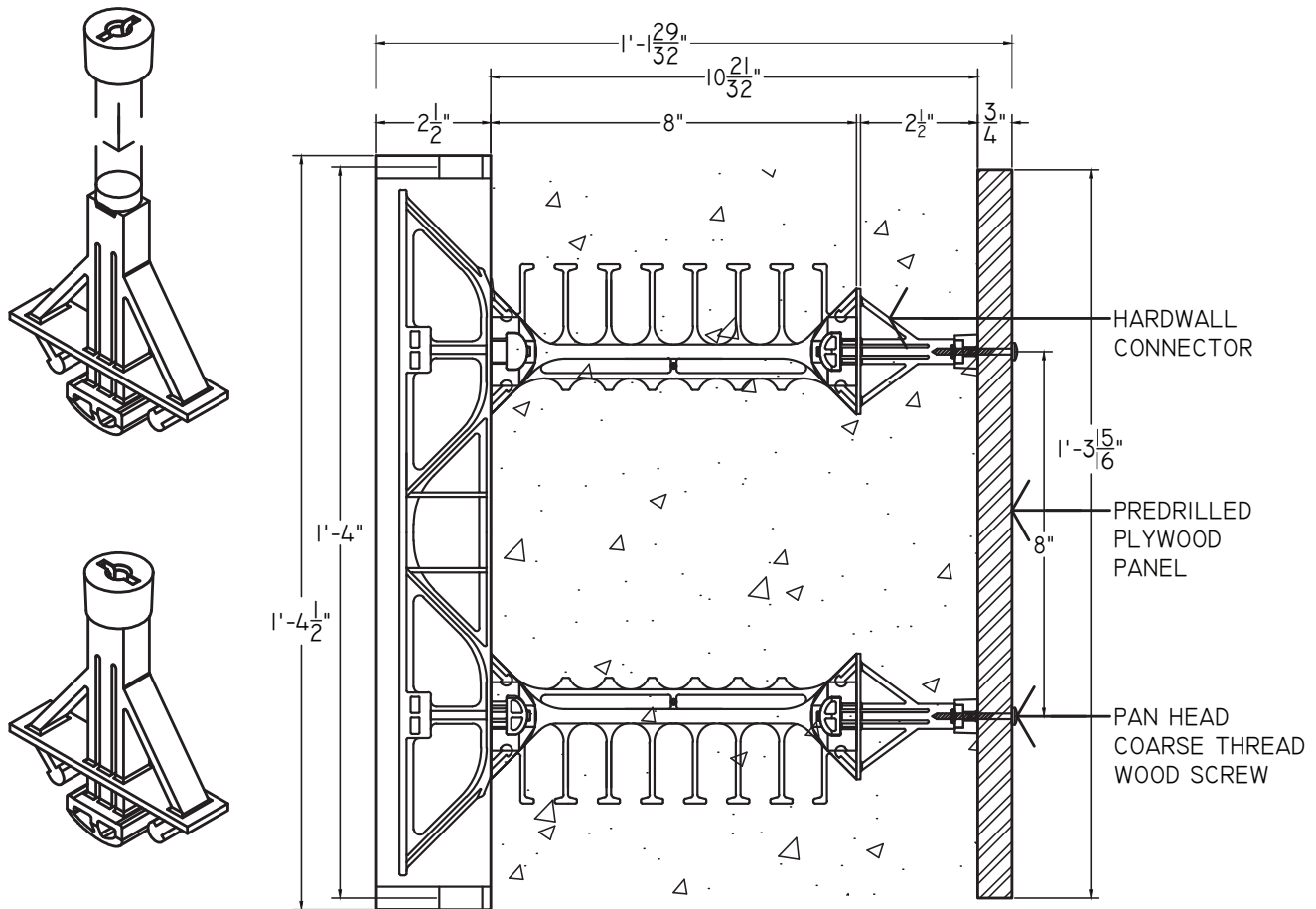
HARDWALL CONNECTOR ASSEMBLY:

1. SEPARATE THE WASHER CAP FROM THE HARDWALL CONNECTOR BY REMOVING THE SMALL TAB CONNECTING THE 2 PARTS.
2. PRESS THE CUP OF THE WASHER CAP ONTO THE END OF THE HARDWALL CONNECTOR FULLY.
3. TO FULLY EMBED THE CONNECTOR INTO THE WASHER IT MAY BE NECESSARY TO PRESS IT FIRMLY AGAINST A HARD SURFACE.


	<b>BUILDBLOCK HARDWALL CONNECTOR DETAIL</b>			
	DATE/REV	12/2015	SCALE NTS	DETAIL SHEET
	NOTES			64B
9705 N. BROADWAY EXTENSION, SUITE 200, OKLAHOMA CITY, OK 73114 OFFICE: 405-840-3386   TOLL FREE: 866-222-2575   FAX: 831-597-0792 BUILDBLOCK.COM		CONSTRUCTION SHALL BE IN ACCORDANCE WITH ALL APPLICABLE LOCAL AND NATIONAL CODES. ALL DRAWINGS ARE SUBJECT TO CHANGE WITHOUT NOTICE.		

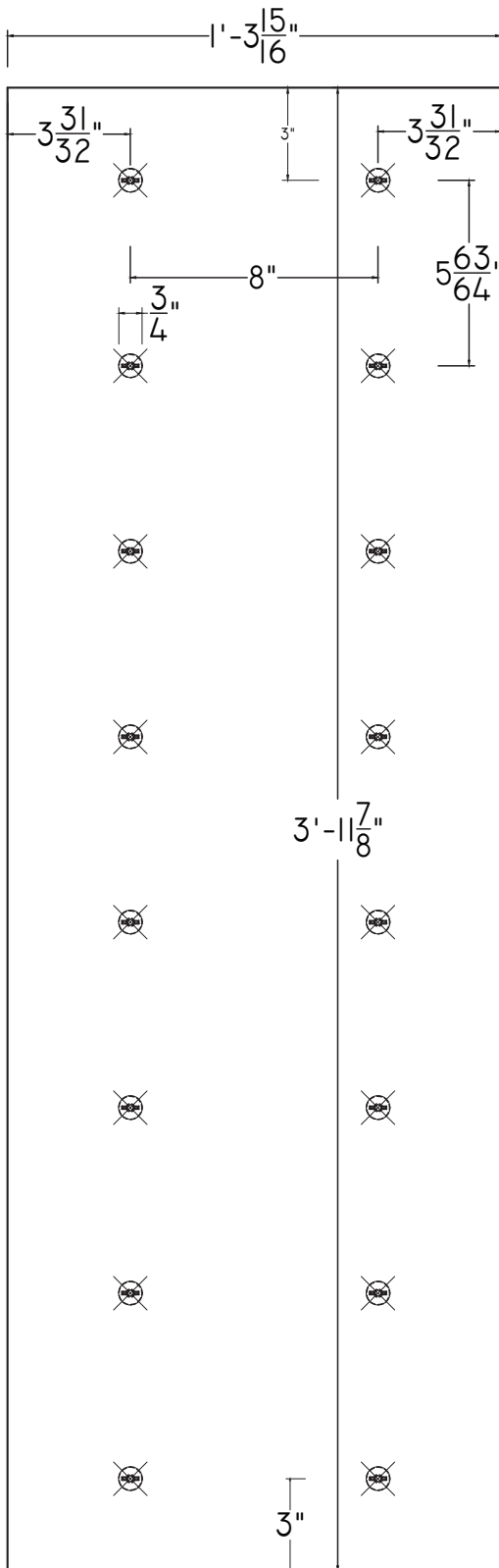
HARDWALL CONNECTOR ASSEMBLY:

1. SEPARATE THE WASHER CAP FROM THE HARDWALL CONNECTOR BY REMOVING THE SMALL TAB CONNECTING THE 2 PARTS.
2. PRESS THE CUP OF THE WASHER CAP ONTO THE END OF THE HARDWALL CONNECTOR FULLY.
3. TO FULLY EMBED THE CONNECTOR INTO THE WASHER IT MAY BE NECESSARY TO PRESS IT FIRMLY AGAINST A HARD SURFACE.
4. MAKE SURE TO ORIENT BRIDGES CORRECTLY BEFORE CONNECTING TO BUILDBLOCK PANELS.
5. ATTACH THE WEB BRIDGES TO THE BUILDBLOCK PANEL BY POSITIONING THEM OVER THE LOCKING TABS ON THE INNER FACE OF THE PANEL. A SHARP BLOW MAY BE REQUIRED TO FULLY SEAT THEM.
6. ATTACH THE HARDWALL CONNECTOR WITH THE WASHER CAP IN PLACE TO THE WEB BRIDGES, OPPOSITE THE FOAM PANEL.
7. PREFERRED METHOD: WHEN THE FOAM, BRIDGE, AND HARDWALL CONNECTOR ARE ASSEMBLED, PLACE A PRE-CUT AND DRILLED SHEET OF PLYWOOD OR OTHER FORMING MATERIAL AGAINST THE WASHER CAP FACES. BEGIN FASTENING THEM TOGETHER USING 1-5/8" COARSE THREAD PAN HEAD SCREWS. THE HOLES IN THE WASHER CAP ARE EASILY ALIGNED WITH THE DRILLED SCREW HOLES. THE SELF ALIGNING WASHER CAP POSITIONS THE SCREW IN THE CENTER OF THE CONNECTOR.
8. ALTERNATE METHOD: ASSEMBLE THE HARDWALL CONNECTOR AND WASHER CAP AND ATTACH TO THE PLYWOOD PANEL WITH 1-5/8" COARSE THREAD PAN HEAD SCREWS. LOCK THE ASSEMBLED PANEL TO THE FOAM PANEL WITH THE WEB BRIDGES. WHEN USING THIS METHOD, IT IS IMPERATIVE TO AVOID BENDING OR BREAKING THE SCREWS WHILE MOVING THE PLYWOOD PANEL ONCE ASSEMBLED. IT MAY ALSO BE NECESSARY TO RE-ORIENT THE HARDWALL CONNECTOR BODY TO ALIGN WITH THE WEB BRIDGES, AS IT MAY TURN WHEN TIGHTENING THE SCREWS.



ALL PLYWOOD FOR FORMS SHOULD BE CUT 1/8" SHORT IN LENGTH TO ACCOUNT FOR THE NATURAL ICF FORM SHRINKAGE. HEIGHT MAY BE REDUCED 1/16" TO ACCOUNT FOR SHRINKAGE AND COMPRESSION. STANDARD ICF BRACING AND ALIGNMENT SHOULD BE INSTALLED ON THE WOOD SIDE. FOLLOW ALL MANUFACTURER RECOMMENDATIONS FOR INSTALLATION OF ICF BRACING.

	<b>BUILDBLOCK HARDWALL ASSEMBLY</b>				
	DATE/REV	12/2015	SCALE	NTS	DETAIL SHEET
	NOTES				
9705 N. BROADWAY EXTENSION, SUITE 200, OKLAHOMA CITY, OK 73114 OFFICE: 405-840-3386   TOLL FREE: 866-222-2575   FAX: 831-597-0792 BUILDBLOCK.COM		CONSTRUCTION SHALL BE IN ACCORDANCE WITH ALL APPLICABLE LOCAL AND NATIONAL CODES. ALL DRAWINGS ARE SUBJECT TO CHANGE WITHOUT NOTICE.			64C



**HARDWALL TEMPLATE**

A PAPER TEMPLATE IS DOWNLOADABLE FROM THE BUILDBLOCK WEBSITE AND MAY BE PRINTED TO SCALE TO CREATE A SUITABLE TEMPLATE FROM WOOD, SHEET METAL, OR OTHER DURABLE MATERIAL.

TEMPLATES SHOULD BE DRILLED WITH A 1/8" - 3/16" DRILL BIT. HOLES SHOULD BE PERPENDICULAR TO THE FACE OF THE PLYWOOD.


ALL PLYWOOD FOR FORMS SHOULD BE CUT 1/8" SHORT IN LENGTH TO ACCOUNT FOR THE NATURAL ICF FORM SHRINKAGE. HEIGHT MAY BE REDUCED 1/16" TO ACCOUNT FOR SHRINKAGE AND COMPRESSION. STANDARD ICF BRACING AND ALIGNMENT SHOULD BE INSTALLED ON THE WOOD SIDE. FOLLOW ALL MANUFACTURER RECOMMENDATIONS FOR INSTALLATION OF ICF BRACING.

IT IS HIGHLY RECOMMENDED TO PRE-DRILL ALL HOLES IN THE HARDWALL PANEL MATERIAL TO MAKE INSTALLATION UNIFORM AND ASSEMBLY ACCURATE.

A COARSE THREAD, PAN HEAD SCREW SHOULD BE USED TO ASSEMBLE THE FORMS. COUNTERSINK SCREWS SHOULD BE AVOIDED AS THEY CAN PULL THROUGH THE PLYWOOD WHEN CONCRETE PRESSURE IS APPLIED.

TO ASSEMBLE THE FORMS, ALIGN HOLES AND CONNECTORS BY STARTING THE SCREW THROUGH THE PLYWOOD. POSITION THE SCREW IN THE CENTER OF THE CAP.

DRIVE THE SCREW FULLY TO THE FACE OF THE PLYWOOD. DO NOT OVER TIGHTEN THE SCREW, OR SINK THE SCREW INTO THE FORM.

	<b>BUILDBLOCK HARDWALL FORM TEMPLATE</b>				
	DATE/REV	12/2015	SCALE	NTS	DETAIL SHEET
	NOTES			<b>64D</b>	
9705 N. BROADWAY EXTENSION, SUITE 200, OKLAHOMA CITY, OK 73114 OFFICE: 405-840-3386   TOLL FREE: 866-222-2575   FAX: 831-597-0792 BUILDBLOCK.COM			CONSTRUCTION SHALL BE IN ACCORDANCE WITH ALL APPLICABLE LOCAL AND NATIONAL CODES. ALL DRAWINGS ARE SUBJECT TO CHANGE WITHOUT NOTICE.		

BUILDBLOCK HARDWALL FINISH OPTIONS

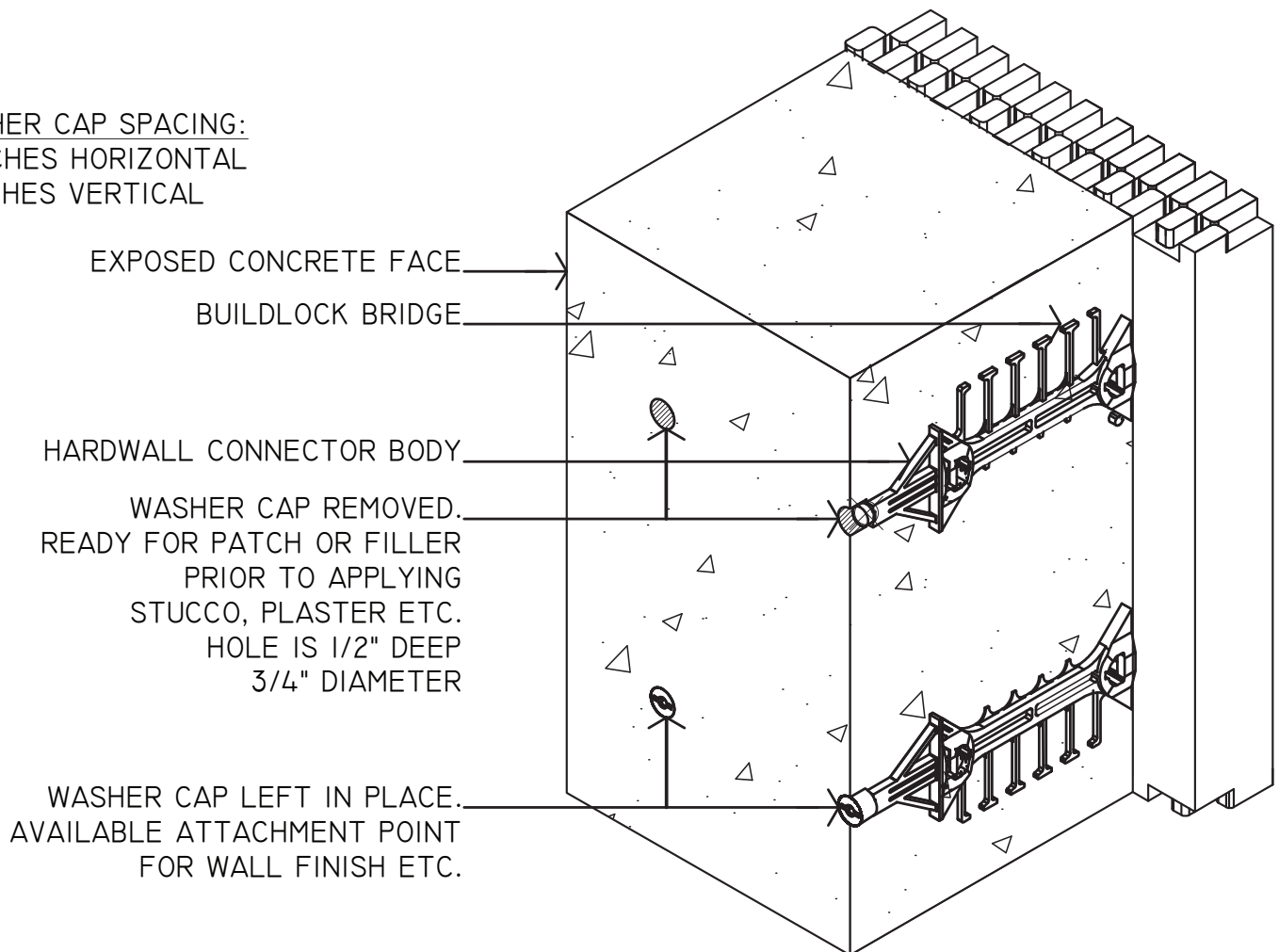
ONCE THE PLYWOOD IS REMOVED THE WASHER CAPS WILL BE VISIBLE IN THE FACE OF THE CONCRETE.


IF THIS IS THE DESIRED FINISH THE CAPS MAY BE LEFT IN PLACE TO INDICATE ATTACHMENT POINTS IN THE WALL. ATTACH OTHER FINISHES AS DESIRED.

TO REMOVE WASHER CAPS, USE A LARGE FLAT BLADE SCREWDRIVER TO TWIST AND PULL THE WASHER CAP OUT OF THE CAVITY. THE WASHER CAP IS BEVELED AND WILL RELEASE FROM THE CONCRETE. IF NECESSARY THE WASHER CAPS MAY BE REMOVED BY HAND, WITH A SMALL PICK, OR PLIERS. THE HARDWALL BODY WILL REMAIN EMBEDDED IN THE WALL.

TO FINISH THE ENTIRE WALL WITH STUCCO, PLASTER, OR OTHER FINISH, REMOVE CAPS AND FILL REMAINING CAVITY WITH PATCH, OR A SUITABLE CONCRETE FILLER AND TROWEL SMOOTH PRIOR TO APPLYING THE WALL FINISH ACCORDING TO MANUFACTURER SPECIFICATIONS.

WASHER CAP SPACING:  
 6 INCHES HORIZONTAL  
 8 INCHES VERTICAL

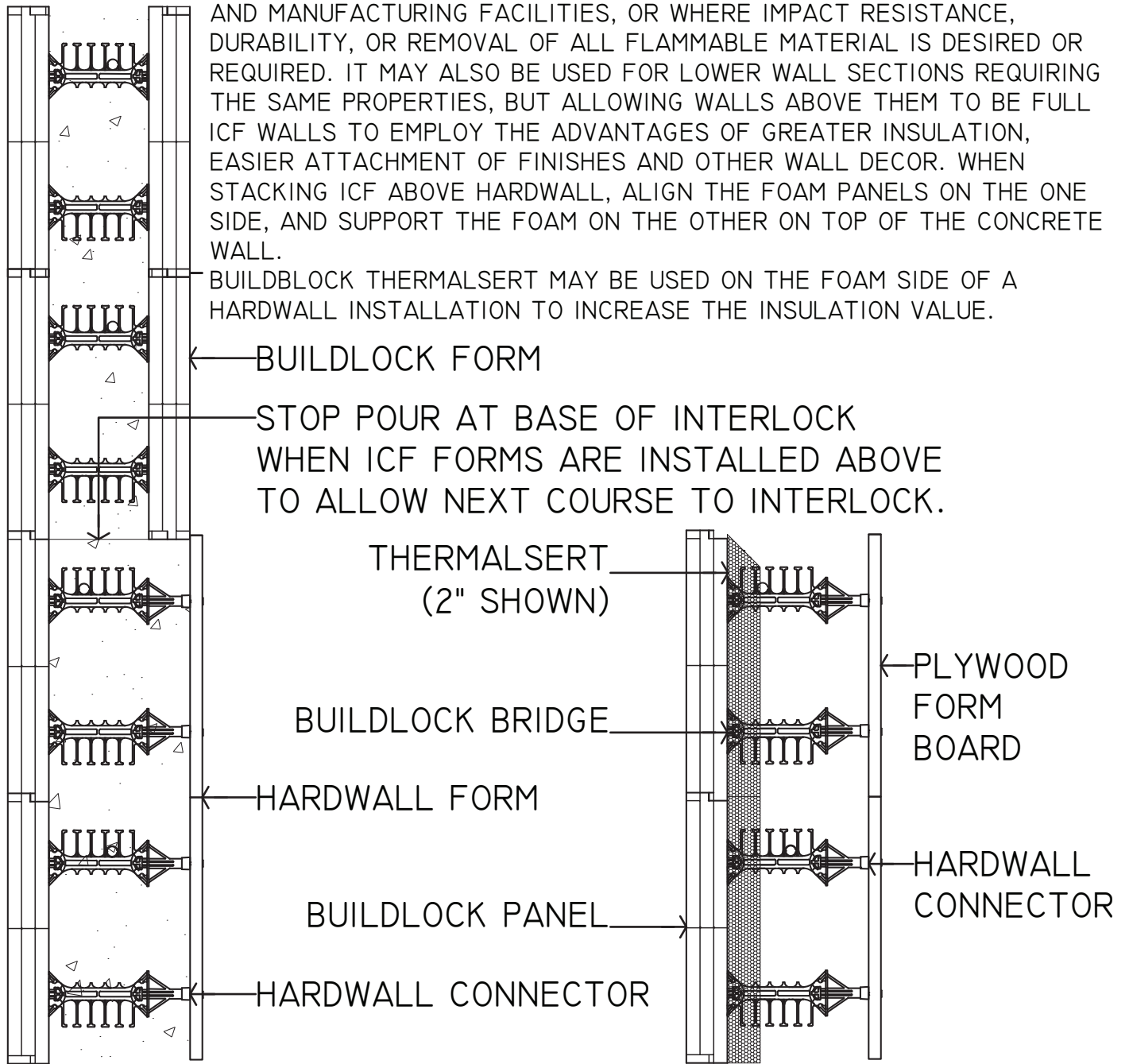


	<b>BUILDBLOCK HARDWALL FINISHING</b>				
	DATE/REV	12/2015	SCALE	NTS	DETAIL SHEET
	NOTES				<b>64E</b>
9705 N. BROADWAY EXTENSION, SUITE 200, OKLAHOMA CITY, OK 73114 OFFICE: 405-840-3386   TOLL FREE: 866-222-2575   FAX: 831-597-0792 BUILDBLOCK.COM	CONSTRUCTION SHALL BE IN ACCORDANCE WITH ALL APPLICABLE LOCAL AND NATIONAL CODES. ALL DRAWINGS ARE SUBJECT TO CHANGE WITHOUT NOTICE.				




BUILDBLOCK HARDWALL MAY BE USED AS A STANDALONE SYSTEM IN STAIRWELLS, ELEVATOR SHAFTS, BASEMENT PARKING, AND IN WAREHOUSE AND MANUFACTURING FACILITIES, OR WHERE IMPACT RESISTANCE, DURABILITY, OR REMOVAL OF ALL FLAMMABLE MATERIAL IS DESIRED OR REQUIRED. IT MAY ALSO BE USED FOR LOWER WALL SECTIONS REQUIRING THE SAME PROPERTIES, BUT ALLOWING WALLS ABOVE THEM TO BE FULL ICF WALLS TO EMPLOY THE ADVANTAGES OF GREATER INSULATION, EASIER ATTACHMENT OF FINISHES AND OTHER WALL DECOR. WHEN STACKING ICF ABOVE HARDWALL, ALIGN THE FOAM PANELS ON THE ONE SIDE, AND SUPPORT THE FOAM ON THE OTHER ON TOP OF THE CONCRETE WALL.

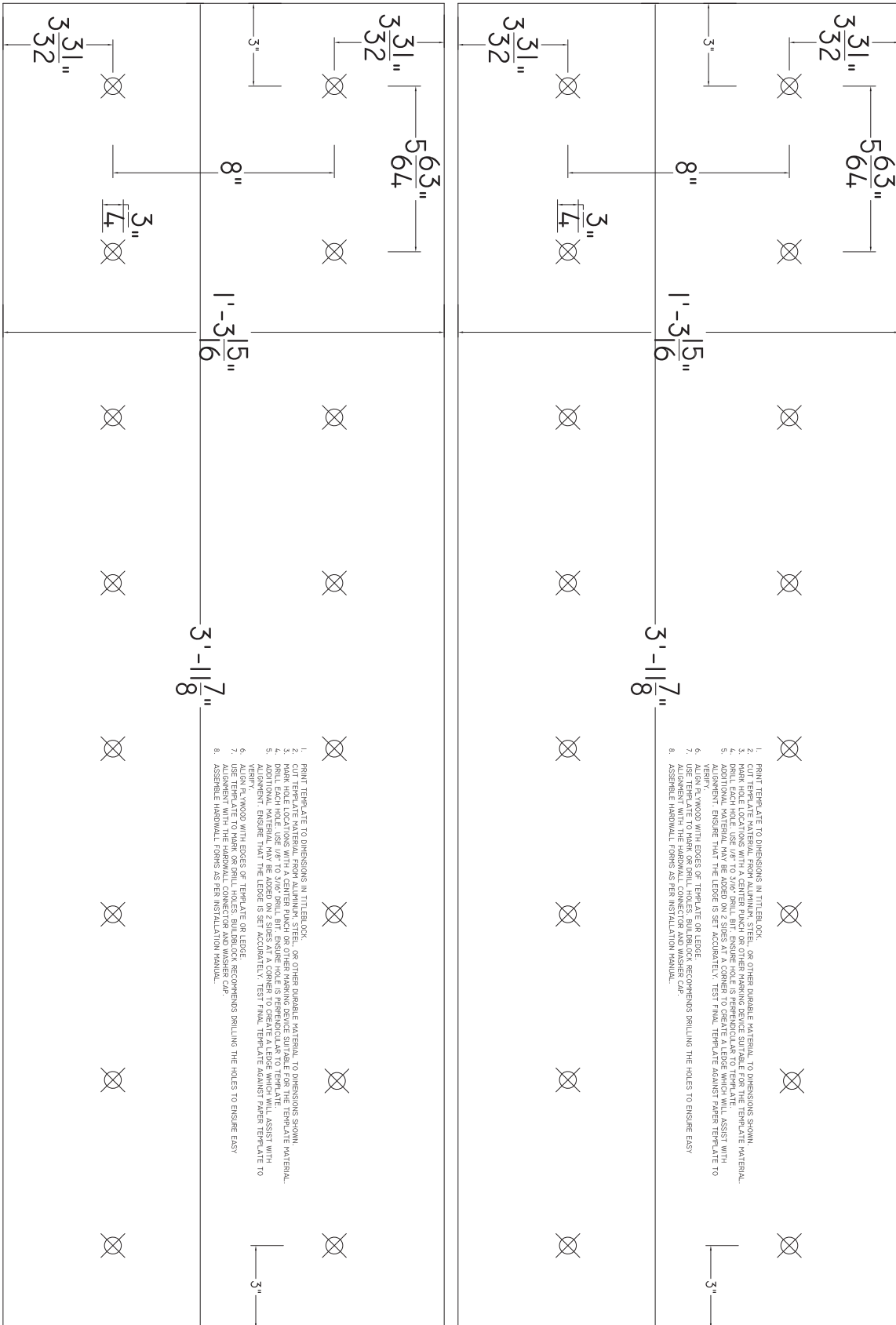
BUILDBLOCK THERMALSERT MAY BE USED ON THE FOAM SIDE OF A HARDWALL INSTALLATION TO INCREASE THE INSULATION VALUE.




HARDWALL AS INSTALLED  
 ICF ABOVE

HARDWALL WITH  
 THERMALSERT

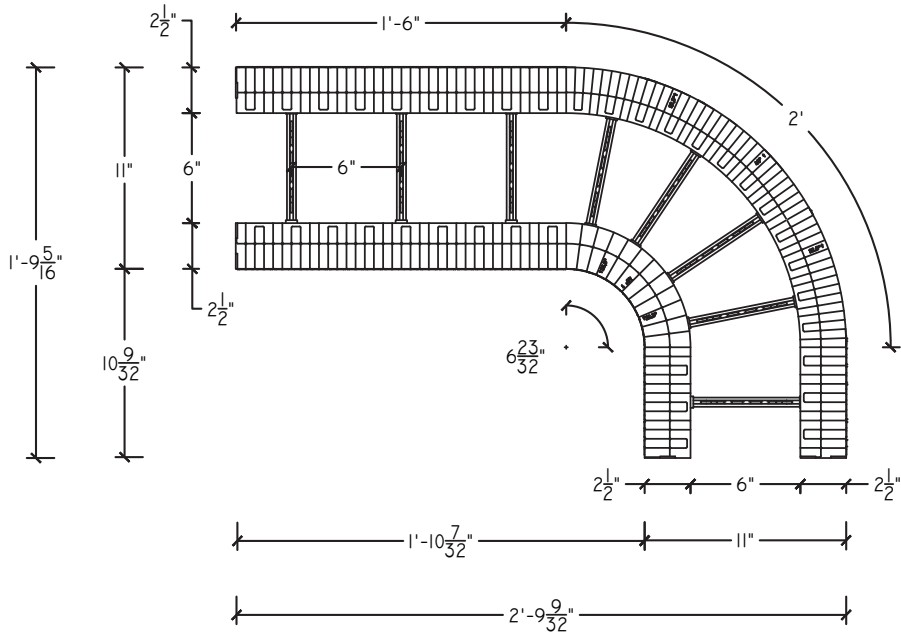
	<b>BUILDBLOCK HARDWALL ALTERNATIVE APPLICATION</b>				
	DATE/REV	12/2015	SCALE	NTS	DETAIL SHEET
	NOTES				<b>64F</b>
9705 N. BROADWAY EXTENSION, SUITE 200, OKLAHOMA CITY, OK 73114 OFFICE: 405-840-3386   TOLL FREE: 866-222-2575   FAX: 831-597-0792 BUILDBLOCK.COM				CONSTRUCTION SHALL BE IN ACCORDANCE WITH ALL APPLICABLE LOCAL AND NATIONAL CODES. ALL DRAWINGS ARE SUBJECT TO CHANGE WITHOUT NOTICE.	



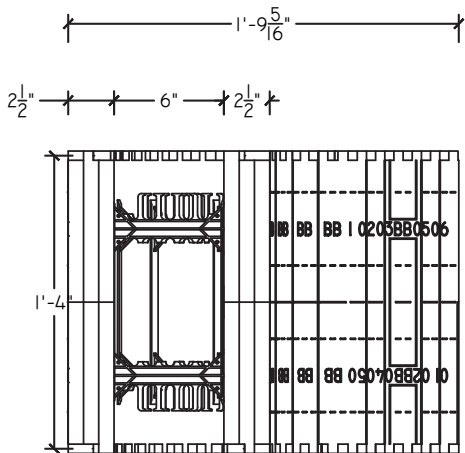
PRINT THIS TEMPLATE AT FULL SCALE: OVERSIZE A0 (35.65 X 49.01)

	<b>BUILDBLOCK HARDWALL FORM TEMPLATE FULL SIZE</b>			
	DATE/REV	12/2015	SCALE	NTS
NOTES				<h1>64G</h1>
9705 N. BROADWAY EXTENSION, SUITE 200, OKLAHOMA CITY, OK 73114 OFFICE: 405-840-3386   TOLL FREE: 866-222-2575   FAX: 831-597-0792 BUILDBLOCK.COM				CONSTRUCTION SHALL BE IN ACCORDANCE WITH ALL APPLICABLE LOCAL AND NATIONAL CODES. ALL DRAWINGS ARE SUBJECT TO CHANGE WITHOUT NOTICE.

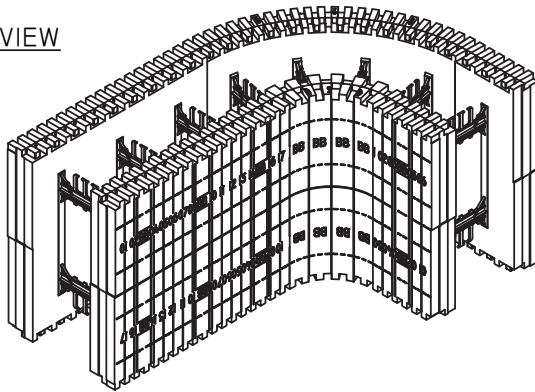
1  
XX  
TOP VIEW  
SCALE: NTS



2  
XX  
SIDE VIEW  
SCALE: NTS




3  
XX  
PERSPECTIVE VIEW  
SCALE: NTS



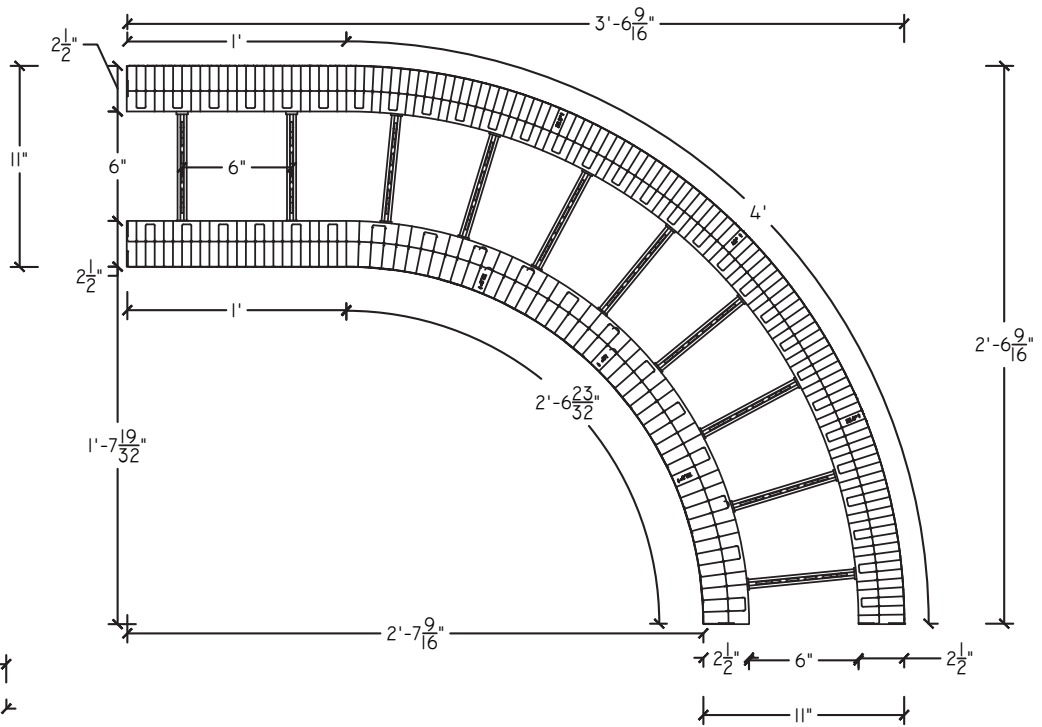
NOTES:

BUILDRADIUS FORMS ARE SIZED BY THE LENGTH OF THE OUTER PANEL AT A 90° ARC. THE RADIUS AND DIAMETER OF THE FORMS ARE GIVEN IN THE ACCOMPANYING CHART. THIS FORM INTEGRATES WITH STRAIGHT FORMS AND DOES NOT REQUIRE CUTTING TO PROVIDE 12 INCH OFFSET. BLOCK COURSING IS 1'-4".

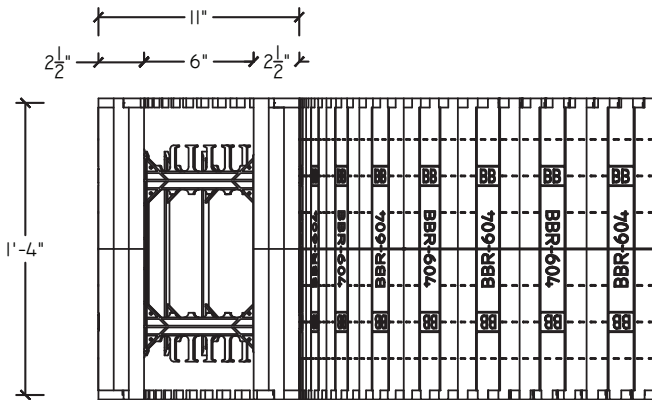
2FT BUILDRADIUS FORM SPECIFICATIONS		
	IMPERIAL	METRIC
BLOCK ANGLE	90°	90°
OUTSIDE PANEL AREA	5.33FT <sup>2</sup>	0.4951M <sup>2</sup>
INSIDE PANEL AREA	4.19FT <sup>2</sup>	0.4561M <sup>2</sup>
OUTER PANEL ARC LENGTH	2-FT 0-IN	60.96CM
INNER PANEL ARC LENGTH	1-FT 8-3/16-IN	51CM
OUTER RADIUS	1-FT 3-1/4-IN	38.81CM
INNER RADIUS	0-FT 8-1/2-IN	10.97CM
STRAIGHT SECTION LENGTHS	6-IN / 18-IN	15.2CM / 45.7CM
CONCRETE VOLUME	0.065296 YD <sup>3</sup>	0.043041 M <sup>3</sup>

 <p>9705 N. BROADWAY EXTENSION, SUITE 200, OKLAHOMA CITY, OK 73114                  OFFICE: 405-840-3386   TOLL FREE: 866-222-2575   FAX: 831-597-0792                  BUILDBLOCK.COM</p>	<b>BUILDRADIUS 2-FOOT ARC RADIUS PRODUCT DETAIL</b>		DATE/REV 8/2016	SCALE NTS	DETAIL SHEET
	NOTES		CONSTRUCTION SHALL BE IN ACCORDANCE WITH ALL APPLICABLE LOCAL AND NATIONAL CODES. ALL DRAWINGS ARE SUBJECT TO CHANGE WITHOUT NOTICE.		<span style="font-size: 48pt; font-weight: bold;">65A</span>
	<span style="font-size: 48pt; font-weight: bold;">65A</span>				

1 TOP VIEW  
 XX SCALE: NTS

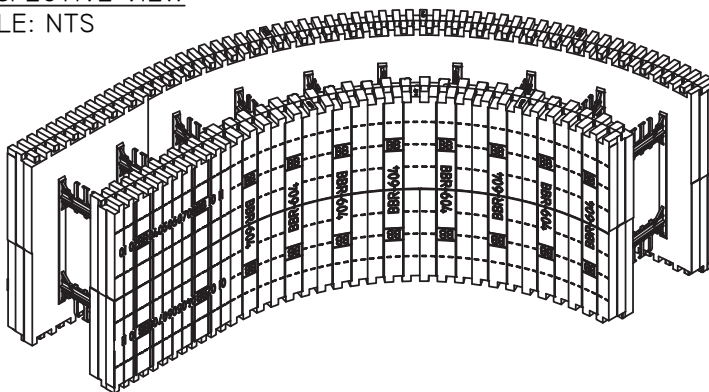


2 SIDE VIEW  
 XX SCALE: NTS





NOTES:  
 BUILDRADIUS FORMS ARE SIZED BY THE LENGTH OF THE OUTER PANEL AT A 90° ARC. THE RADIUS AND DIAMETER OF THE FORMS ARE GIVEN IN THE ACCOMPANYING CHART.  
 THIS FORM INTEGRATES WITH STRAIGHT FORMS AND DOES NOT REQUIRE CUTTING TO PROVIDE 12 INCH OFFSET.  
 BLOCK COURSING IS 1'-4".

3 PERSPECTIVE VIEW  
 XX SCALE: NTS

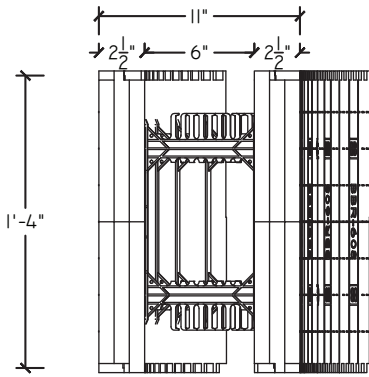
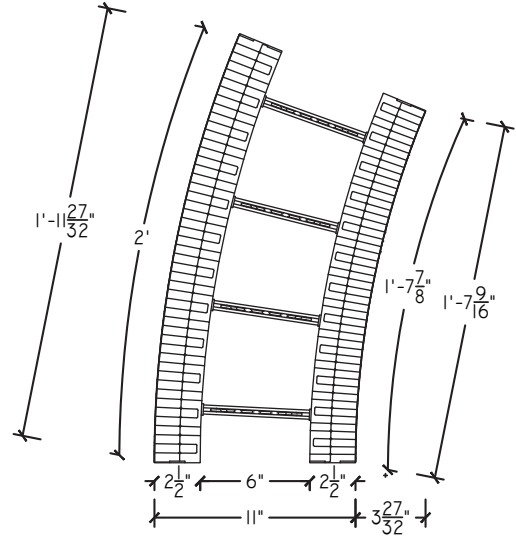


4FT BUILDRADIUS FORM SPECIFICATIONS		
	IMPERIAL	METRIC
BLOCK ANGLE	90°	90°
OUTSIDE PANEL AREA	6.67FT <sup>2</sup>	0.6193M <sup>2</sup>
INSIDE PANEL AREA	4.74FT <sup>2</sup>	0.4406M <sup>2</sup>
OUTER PANEL ARC LENGTH	4-FT 0-IN	121.92CM
INNER PANEL ARC LENGTH	2-FT 6-11/16-IN	78CM
OUTER RADIUS	2-FT 6-9/16-IN	77.62CM
INNER RADIUS	1-FT 7-9/16-IN	49.68CM
STRAIGHT SECTION LENGTHS	12-IN	30.5-CM
CONCRETE VOLUME	0.105645YD <sup>3</sup>	0.080771 M <sup>3</sup>

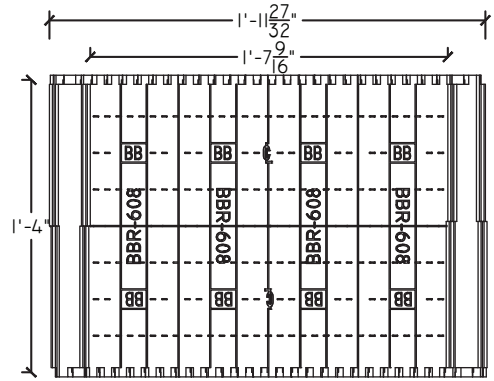
	<b>BUILDRADIUS 4-FOOT ARC RADIUS PRODUCT DETAIL</b>		DATE/REV 8/2016	SCALE NTS	DETAIL SHEET
	NOTES		CONSTRUCTION SHALL BE IN ACCORDANCE WITH ALL APPLICABLE LOCAL AND NATIONAL CODES. ALL DRAWINGS ARE SUBJECT TO CHANGE WITHOUT NOTICE.		
9705 N. BROADWAY EXTENSION, SUITE 200, OKLAHOMA CITY, OK 73114 OFFICE: 405-840-3386   TOLL FREE: 866-222-2575   FAX: 831-597-0792 BUILDBLOCK.COM					

**I**  
**XX** TOP VIEW  
 SCALE: NTS

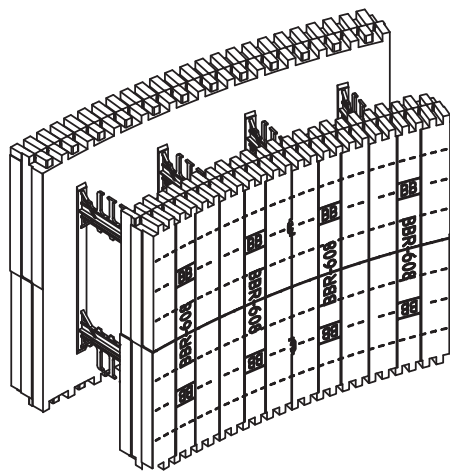
NOTES:  
 BUILDRADIUS FORMS ARE SIZED BY THE LENGTH OF THE OUTER PANEL AT A 90° ARC. THE RADIUS AND DIAMETER OF THE FORMS ARE GIVEN IN THE ACCOMPANYING CHART. TO CREATE A RUNNING BOND WHEN INTEGRATING WITH A STRAIGHT BLOCK WALL, CUT THE FORM IN HALF, VERTICALLY AT THE CENTERLINE ( ) USING ONE HALF OF THE BLOCK AT EACH END ON EVERY OTHER COURSE. BLOCKS STACK @ 1'-4" INCREMENTS



**I**  
**XX** END VIEW  
 SCALE: NTS




**I**  
**XX** SIDE VIEW  
 SCALE: NTS



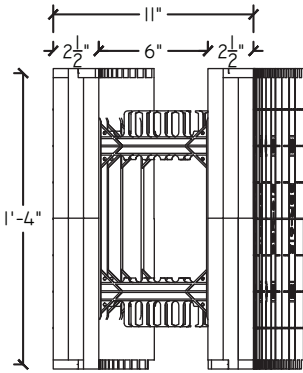
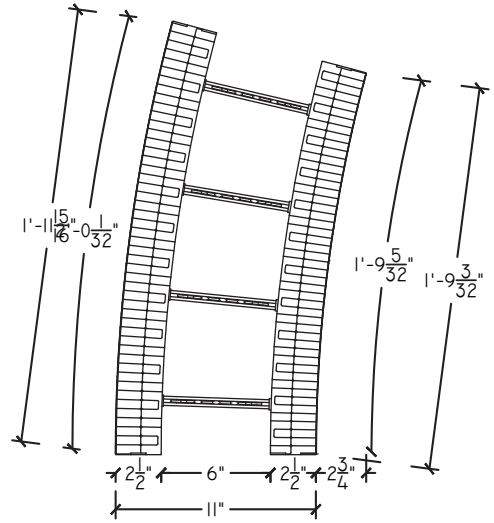
**I**  
**XX** PERSPECTIVE VIEW  
 SCALE: NTS

8FT BUILDRADIUS FORM SPECIFICATIONS		
	IMPERIAL	METRIC
BLOCK ANGLE	22.5°	22.5°
OUTSIDE PANEL AREA	2.67FT <sup>2</sup>	.2477M <sup>2</sup>
INSIDE PANEL AREA	2.19FT <sup>2</sup>	.2038M <sup>2</sup>
OUTER PANEL ARC LENGTH	2-FT 0-IN	60.96M
INNER PANEL ARC LENGTH	1-FT 7-11/16-IN	50CM
OUTER RADIUS	5-FT 1-1/8-IN	155.23CM
INNER RADIUS	4-FT 2-1/8-IN	127.41CM
STRAIGHT SECTION LENGTHS	0-IN	0-CM
CONCRETE VOLUME	0.045099 YD <sup>3</sup>	0.03448 M <sup>3</sup>

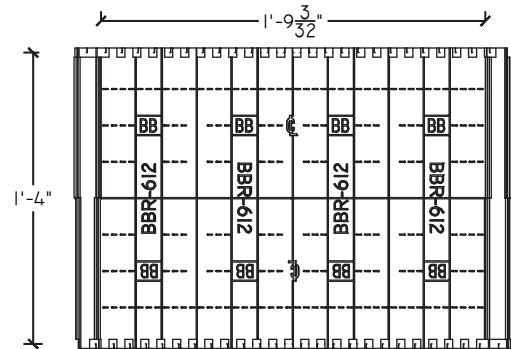
	<b>BUILDRADIUS 8-FOOT ARC RADIUS PRODUCT DETAIL</b>			
	DATE/REV	8/2016	SCALE NTS	DETAIL SHEET
	NOTES	CONSTRUCTION SHALL BE IN ACCORDANCE WITH ALL APPLICABLE LOCAL AND NATIONAL CODES. ALL DRAWINGS ARE SUBJECT TO CHANGE WITHOUT NOTICE.		<b>65C</b>
9705 N. BROADWAY EXTENSION, SUITE 200, OKLAHOMA CITY, OK 73114 OFFICE: 405-840-3386   TOLL FREE: 866-222-2575   FAX: 831-597-0792 BUILDBLOCK.COM				

I  
XX TOP VIEW  
SCALE: NTS

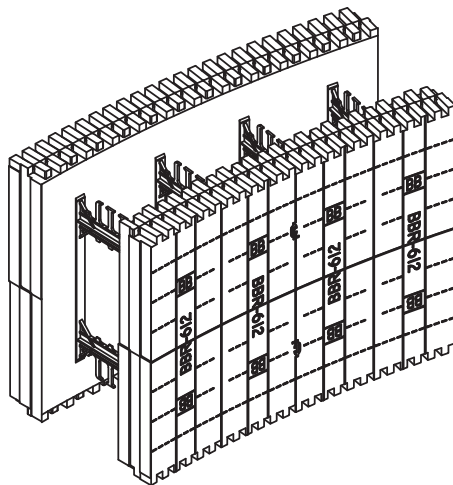
NOTES:  
 BUILDRADIUS FORMS ARE SIZED BY THE LENGTH OF THE OUTER PANEL AT A 90° ARC. THE RADIUS AND DIAMETER OF THE FORMS ARE GIVEN IN THE ACCOMPANYING CHART.  
 TO CREATE A RUNNING BOND WHEN INTEGRATING WITH A STRAIGHT BLOCK WALL, CUT THE FORM IN HALF, VERTICALLY AT THE CENTERLINE ( ) USING ONE HALF OF THE BLOCK AT EACH END ON EVERY OTHER COURSE. BLOCKS STACK @ 1'-4" INCREMENTS



I  
XX END VIEW  
SCALE: NTS




I  
XX SIDE VIEW  
SCALE: NTS



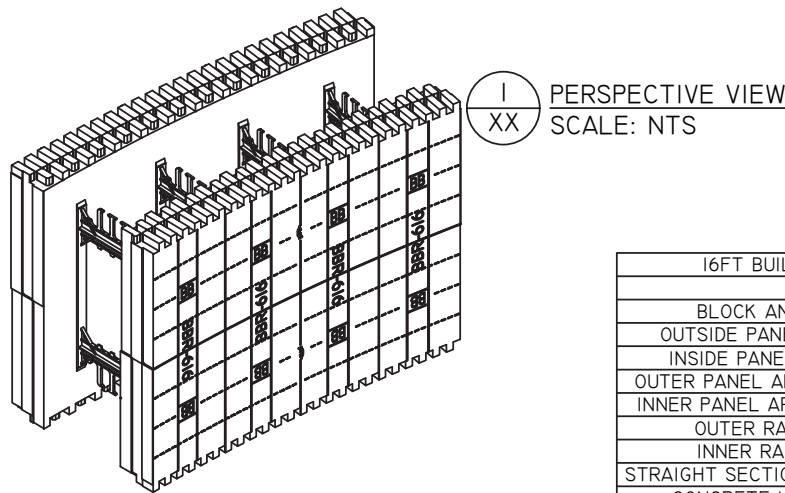
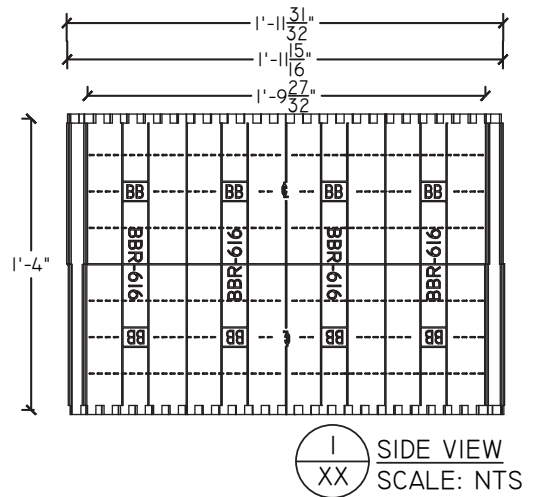
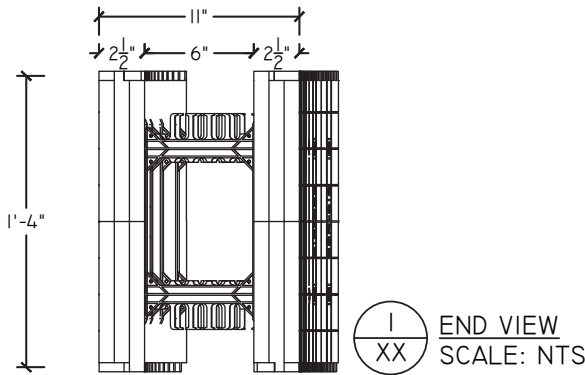
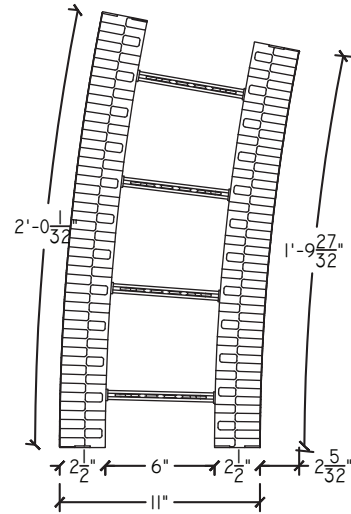
I  
XX PERSPECTIVE VIEW  
SCALE: NTS

12FT BUILDRADIUS FORM SPECIFICATIONS		
	IMPERIAL	METRIC
BLOCK ANGLE	15°	15°
OUTSIDE PANEL AREA	2.67FT <sup>2</sup>	.2477M <sup>2</sup>
INSIDE PANEL AREA	2.35FT <sup>2</sup>	.2180M <sup>2</sup>
OUTER PANEL ARC LENGTH	2FT 0IN	60.96M
INNER PANEL ARC LENGTH	1-FT 9-1/8-IN	54CM
OUTER RADIUS	7-FT 7-11/16-IN	232.85CM
INNER RADIUS	6-FT 8-11/16-IN	204.82CM
STRAIGHT SECTION LENGTHS	0-IN	0-CM


 <p>9705 N. BROADWAY EXTENSION, SUITE 200, OKLAHOMA CITY, OK 73114                  OFFICE: 405-840-3386   TOLL FREE: 866-222-2575   FAX: 831-597-0792                  BUILDBLOCK.COM</p>	<b>BUILDRADIUS 12-FOOT ARC RADIUS PRODUCT DETAIL</b>		DATE/REV 8/2016	SCALE NTS	DETAIL SHEET
	NOTES				
	CONSTRUCTION SHALL BE IN ACCORDANCE WITH ALL APPLICABLE LOCAL AND NATIONAL CODES. ALL DRAWINGS ARE SUBJECT TO CHANGE WITHOUT NOTICE.				
65D					

**I**  
**XX** TOP VIEW  
SCALE: NTS

NOTES:  
BUILDRADIUS FORMS ARE SIZED BY THE LENGTH OF THE OUTER PANEL AT A 90° ARC. THE RADIUS AND DIAMETER OF THE FORMS ARE GIVEN IN THE ACCOMPANYING CHART. TO CREATE A RUNNING BOND WHEN INTEGRATING WITH A STRAIGHT BLOCK WALL, CUT THE FORM IN HALF, VERTICALLY AT THE CENTERLINE ( ) USING ONE HALF OF THE BLOCK AT EACH END ON EVERY OTHER COURSE. BLOCKS STACK @ 1'-4" INCREMENTS

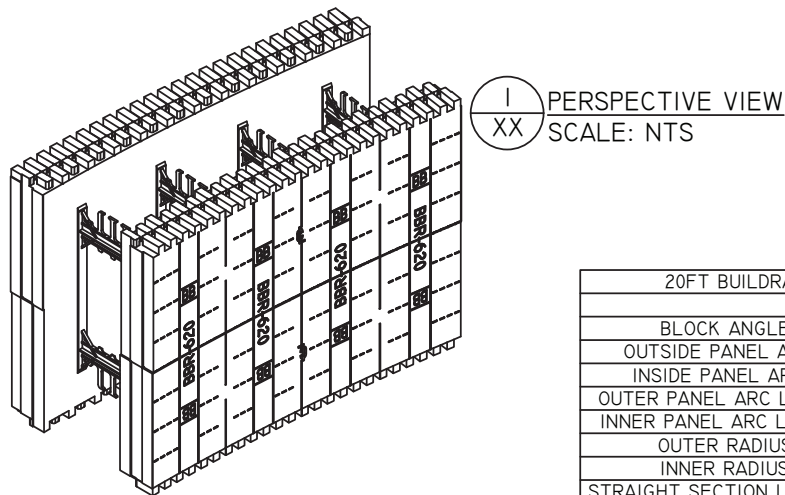
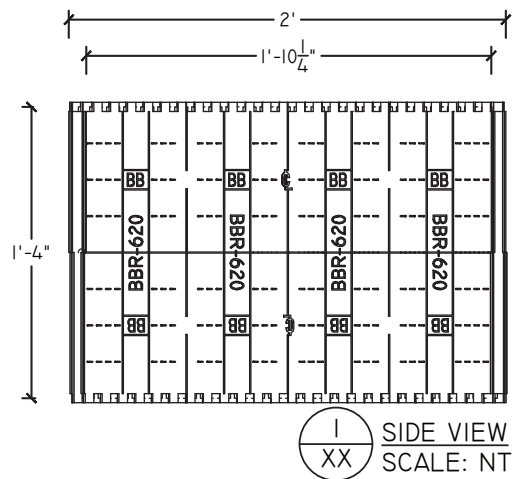
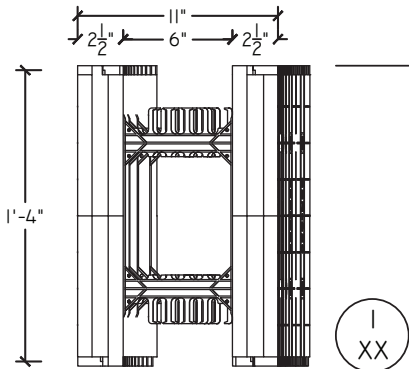
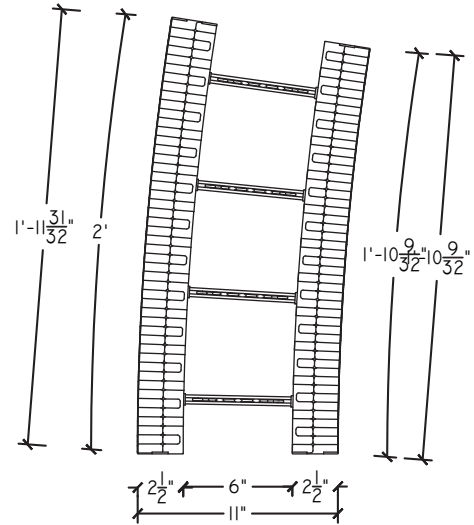


16FT BUILDRADIUS FORM SPECIFICATIONS		
	IMPERIAL	METRIC
BLOCK ANGLE	11.25°	11.25°
OUTSIDE PANEL AREA	2.67FT <sup>2</sup>	.2477M <sup>2</sup>
INSIDE PANEL AREA	2.42FT <sup>2</sup>	.2251M <sup>2</sup>
OUTER PANEL ARC LENGTH	2FT 0IN	60.96M
INNER PANEL ARC LENGTH	1-FT 9-13/16-IN	55CM
OUTER RADIUS	10-FT 2-1/4-IN	310.47CM
INNER RADIUS	9-FT 3-1/4-IN	282.54CM
STRAIGHT SECTION LENGTHS	0-IN	0-CM
CONCRETE VOLUME	0.04715 YD <sup>3</sup>	0.036048 M <sup>3</sup>


	<b>BUILDRADIUS 16-FOOT ARC RADIUS PRODUCT DETAIL</b>			
	DATE/REV	8/2016	SCALE	NTS
NOTES	CONSTRUCTION SHALL BE IN ACCORDANCE WITH ALL APPLICABLE LOCAL AND NATIONAL CODES. ALL DRAWINGS ARE SUBJECT TO CHANGE WITHOUT NOTICE.			<b>65E</b>
9705 N. BROADWAY EXTENSION, SUITE 200, OKLAHOMA CITY, OK 73114 OFFICE: 405-840-3386   TOLL FREE: 866-222-2575   FAX: 831-597-0792 BUILDBLOCK.COM				

I  
XX TOP VIEW  
SCALE: NTS

NOTES:  
BUILDRADIUS FORMS ARE SIZED BY THE LENGTH OF THE OUTER PANEL AT A 90° ARC. THE RADIUS AND DIAMETER OF THE FORMS ARE GIVEN IN THE ACCOMPANYING CHART.  
TO CREATE A RUNNING BOND WHEN INTEGRATING WITH A STRAIGHT BLOCK WALL, CUT THE FORM IN HALF, VERTICALLY AT THE CENTERLINE ( ) USING ONE HALF OF THE BLOCK AT EACH END ON EVERY OTHER COURSE. BLOCKS STACK @ 1'-4" INCREMENTS



20FT BUILDRADIUS FORM SPECIFICATIONS		
	IMPERIAL	METRIC
BLOCK ANGLE	9°	9°
OUTSIDE PANEL AREA	2.67FT <sup>2</sup>	.2477M <sup>2</sup>
INSIDE PANEL AREA	2.47FT <sup>2</sup>	.229M <sup>2</sup>
OUTER PANEL ARC LENGTH	2-FT 0-IN	60.96M
INNER PANEL ARC LENGTH	1-FT 10-1/4-IN	57CM
OUTER RADIUS	12-FT 8-13/16-IN	388.08CM
INNER RADIUS	9-FT 3-1/4-IN	360.27CM
STRAIGHT SECTION LENGTHS	0-IN	0-CM
CONCRETE VOLUME	0.048606 YD <sup>3</sup>	0.036397 M <sup>3</sup>

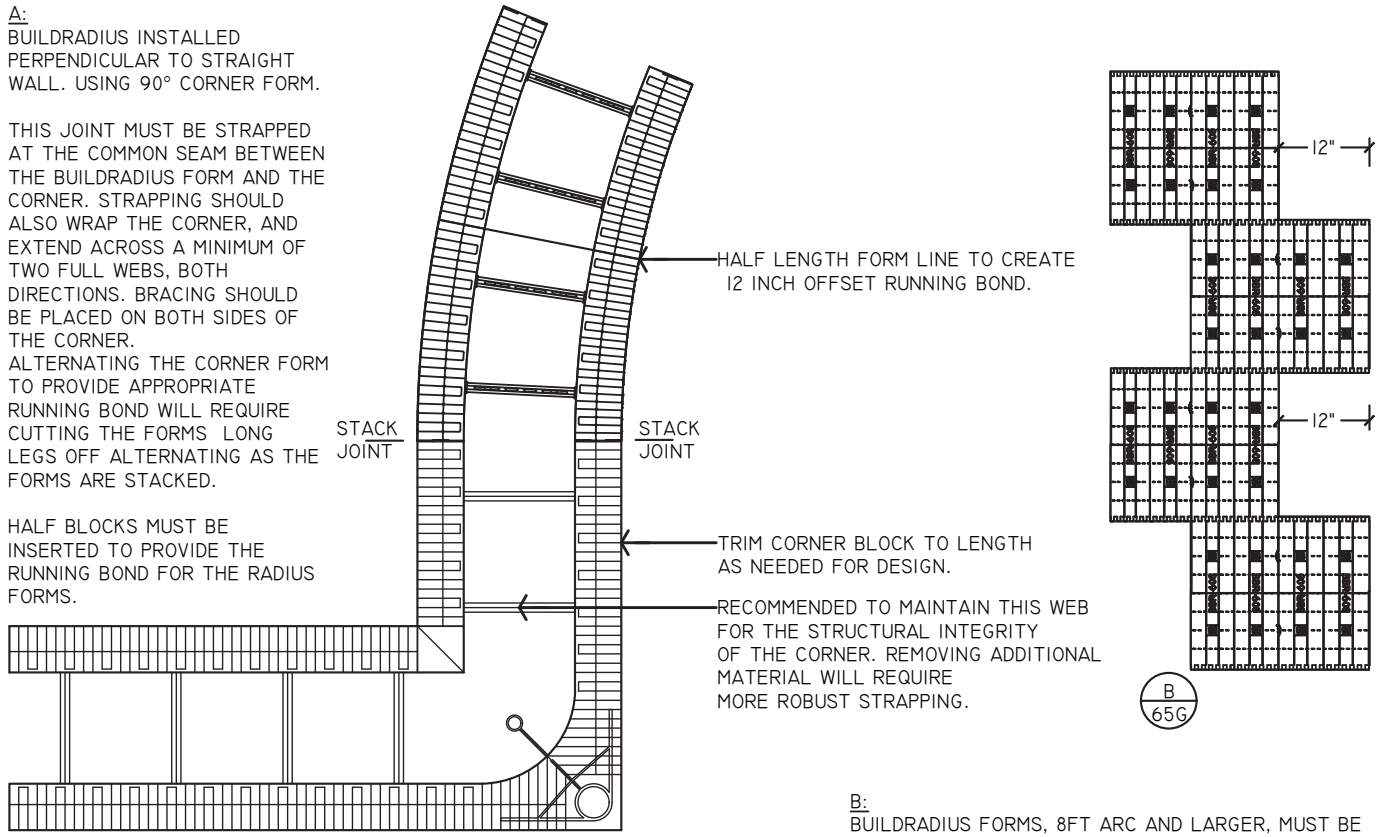
 <p>9705 N. BROADWAY EXTENSION, SUITE 200, OKLAHOMA CITY, OK 73114 OFFICE: 405-840-3386   TOLL FREE: 866-222-2575   FAX: 831-597-0792 BUILDBLOCK.COM</p>	<b>BUILDRADIUS 20-FOOT ARC RADIUS PRODUCT DETAIL</b>			
	DATE/REV	8/2016	SCALE NTS	DETAIL SHEET
	NOTES	CONSTRUCTION SHALL BE IN ACCORDANCE WITH ALL APPLICABLE LOCAL AND NATIONAL CODES. ALL DRAWINGS ARE SUBJECT TO CHANGE WITHOUT NOTICE.		<b>65F</b>



**A:**  
 BUILDRADIUS INSTALLED  
 PERPENDICULAR TO STRAIGHT  
 WALL. USING 90° CORNER FORM.

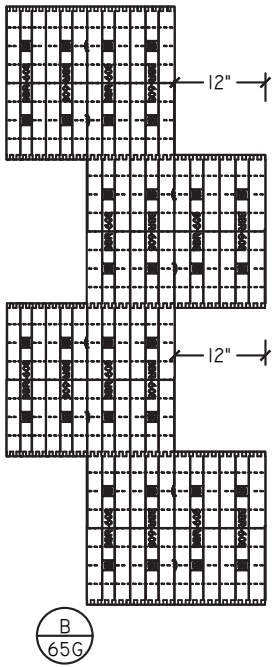
THIS JOINT MUST BE STRAPPED  
 AT THE COMMON SEAM BETWEEN  
 THE BUILDRADIUS FORM AND THE  
 CORNER. STRAPPING SHOULD  
 ALSO WRAP THE CORNER, AND  
 EXTEND ACROSS A MINIMUM OF  
 TWO FULL WEBS, BOTH  
 DIRECTIONS. BRACING SHOULD  
 BE PLACED ON BOTH SIDES OF  
 THE CORNER.  
 ALTERNATING THE CORNER FORM  
 TO PROVIDE APPROPRIATE  
 RUNNING BOND WILL REQUIRE  
 CUTTING THE FORMS LONG  
 LEGS OFF ALTERNATING AS THE  
 FORMS ARE STACKED.

HALF BLOCKS MUST BE  
 INSERTED TO PROVIDE THE  
 RUNNING BOND FOR THE RADIUS  
 FORMS.



**A**  
65G

**B:**  
 BUILDRADIUS FORMS, 8FT ARC AND LARGER, MUST BE  
 INSTALLED SO THAT THERE IS A HALF LENGTH BLOCK  
 EVERY OTHER COURSE. IT IS THE HALF LENGTH BLOCK  
 THAT PROVIDES THE NECESSARY OFFSET TO MAINTAIN  
 THE RUNNING BOND AROUND THE CURVE. THE RUNNING  
 BOND IN THE RADIUS FORM ELIMINATES STRAPPING WHERE  
 NOT ON A COMMON SEAM, AND PROVIDES STRONGER  
 FORMWORK FOR POURING.

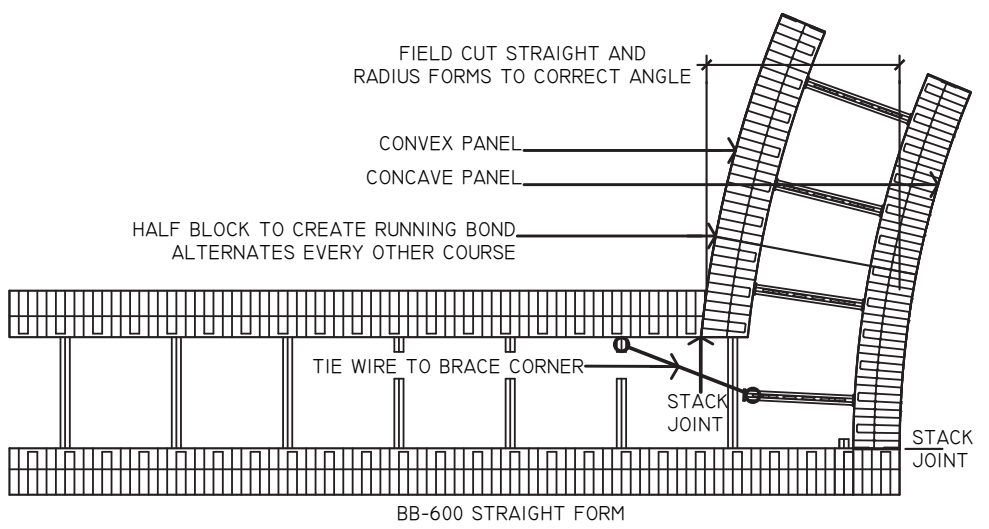


**B**  
65G

**C:**  
 BUILDRADIUS MAY BE FIELD CUT AND  
 CONNECTED INTO A STRAIGHT WALL.  
 REMOVE 6 INCHES FROM CONVEX  
 PANEL OF BUILDRADIUS FORM. FIELD  
 CUT STRAIGHT FORM TO MATCH  
 ANGLE AND LOCATION OF  
 BUILDRADIUS FORM.

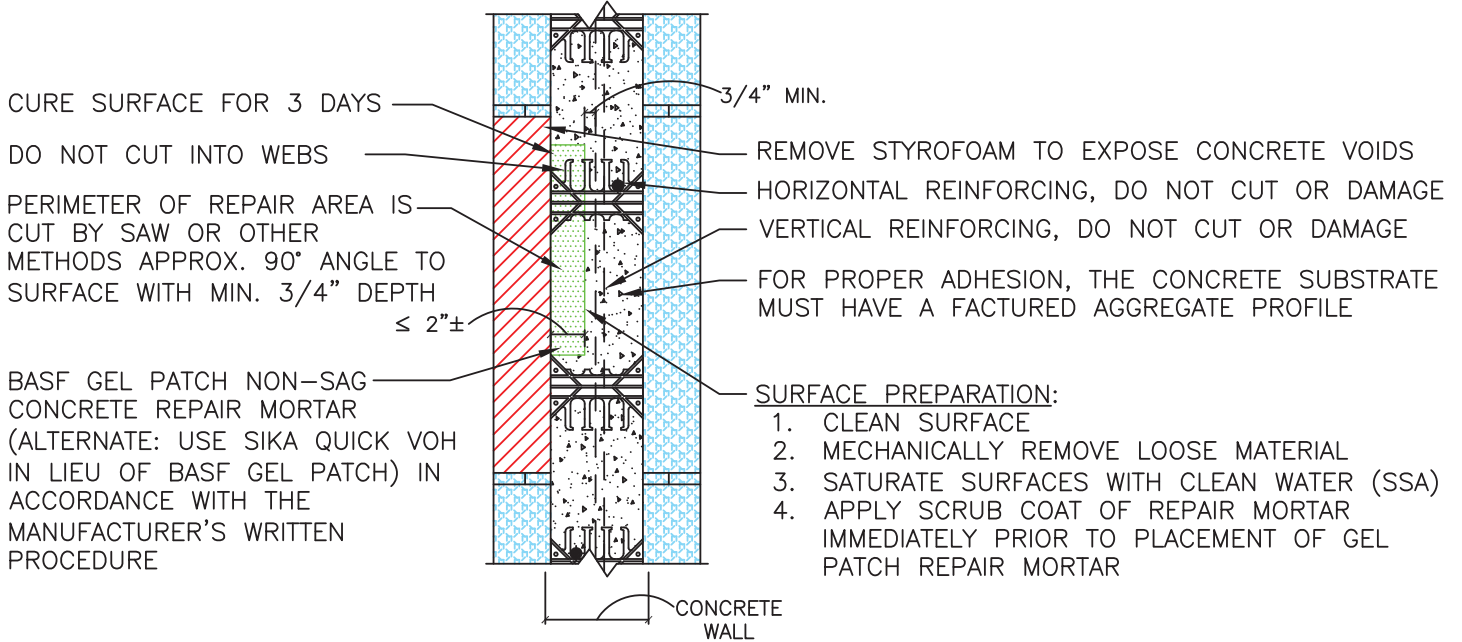
EVEN AND ODD COURSES WILL HAVE  
 ALTERNATING DIMENSIONS DUE TO  
 RUNNING BOND OF BOTH STRAIGHT  
 AND RADIUS WALL. STRAIGHT FORMS  
 MUST BE TRIMMED TO MAINTAIN THE  
 REQUIRED 12 INCH OVERLAP. RADIUS  
 FORMS MUST USE HALF FORMS,  
 TRIMMED TO FIT THE INTERSECTION,  
 EVERY OTHER COURSE, TO MAINTAIN  
 THE REQUIRED 12 INCH OVERLAP AS  
 WELL.

STRAP AND BRACE COMMON SEAMS  
 AS REQUIRED. GLUE JOINTS USING  
 SPRAY FOAM ADHESIVE.

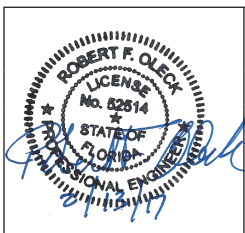


**C**  
65G

	<b>BUILDRADIUS WALL INTERSECTIONS</b>			DETAIL SHEET
	DATE/REV	8/2016	SCALE	NTS
	NOTES			
9705 N. BROADWAY EXTENSION, SUITE 200, OKLAHOMA CITY, OK 73114 OFFICE: 405-840-3386   TOLL FREE: 866-222-2575   FAX: 831-597-0792 BUILDBLOCK.COM	CONSTRUCTION SHALL BE IN ACCORDANCE WITH ALL APPLICABLE LOCAL AND NATIONAL CODES. ALL DRAWINGS ARE SUBJECT TO CHANGE WITHOUT NOTICE.			<b>65G</b>



1 2± INCH DEEP CONCRETE VOID REPAIR  
 66a SCALE: 1 1/2" = 1'-0"



9705 N. BROADWAY EXTENSION, SUITE 200, OKLAHOMA CITY, OK 73114  
 OFFICE: 405-840-3386 | TOLL FREE: 866-222-2575 | FAX: 831-597-0792  
 BUILDBLOCK.COM

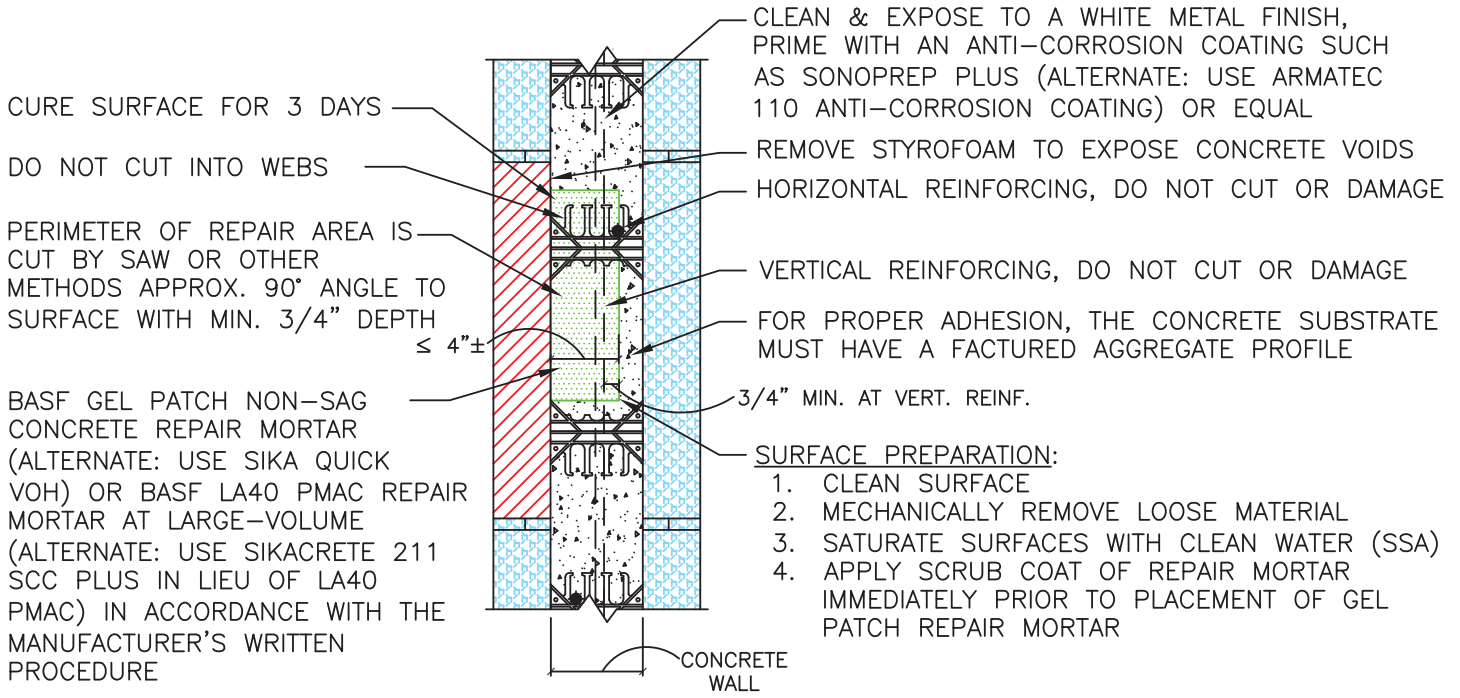
2± INCH DEEP CONCRETE VOID REPAIR

DATE/REV	2-13-17	SCALE	NTS	DETAIL SHEET
----------	---------	-------	-----	--------------

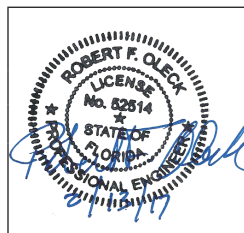
NOTES

CONSTRUCTION SHALL BE IN ACCORDANCE WITH ALL APPLICABLE LOCAL AND NATIONAL CODES. ALL DRAWINGS ARE SUBJECT TO CHANGE WITHOUT NOTICE.

**66A**



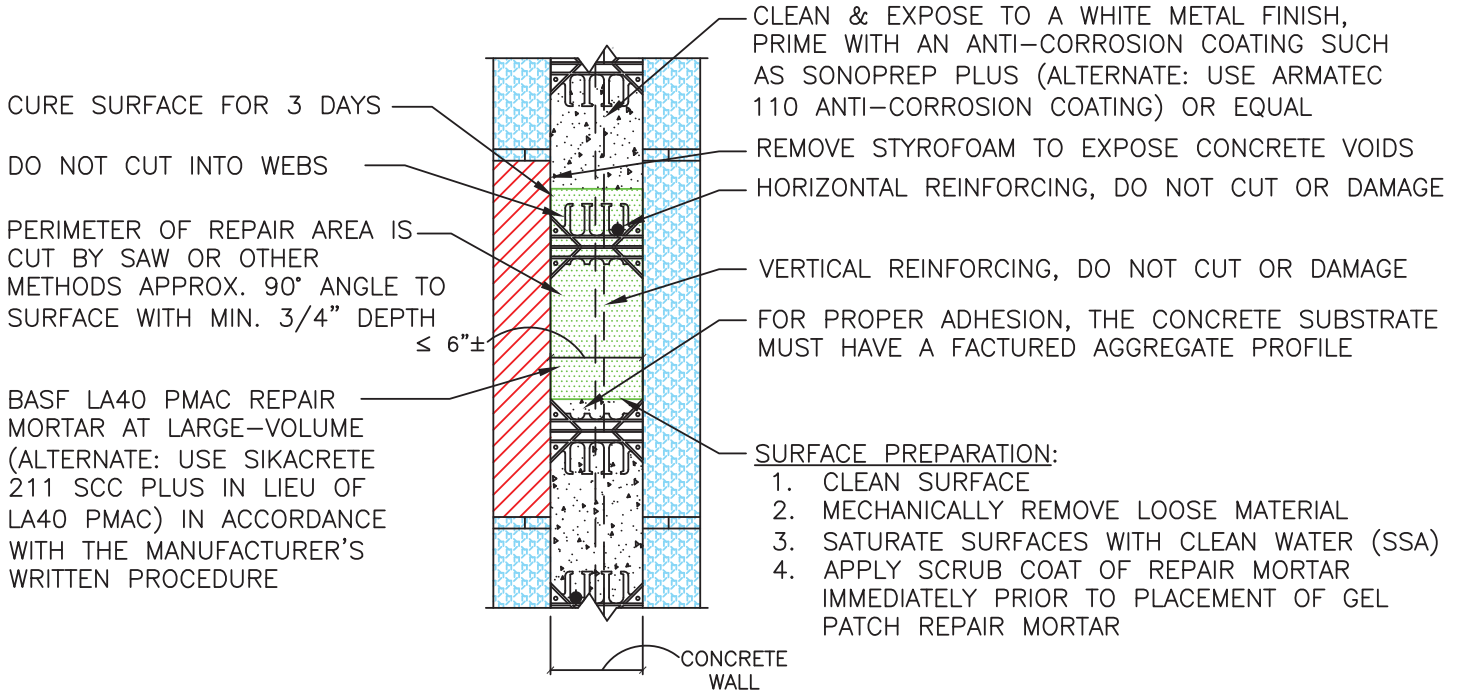
① 4± INCH DEEP CONCRETE VOID REPAIR  
 66b SCALE: 1 1/2" = 1'-0"



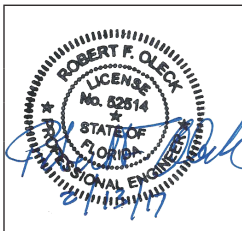
**BB BuildBlock**  
 BUILDING SYSTEMS

9705 N. BROADWAY EXTENSION, SUITE 200, OKLAHOMA CITY, OK 73114  
 OFFICE: 405-840-3386 | TOLL FREE: 866-222-2575 | FAX: 831-597-0792  
 BUILDBLOCK.COM

<b>4± INCH DEEP CONCRETE VOID REPAIR</b>			
DATE/REV	2-13-17	SCALE	NTS
NOTES			DETAIL SHEET
CONSTRUCTION SHALL BE IN ACCORDANCE WITH ALL APPLICABLE LOCAL AND NATIONAL CODES. ALL DRAWINGS ARE SUBJECT TO CHANGE WITHOUT NOTICE.			<b>66B</b>



1 / 66c 6± INCH DEEP CONCRETE VOID REPAIR  
 SCALE: 1 1/2" = 1'-0"



9705 N. BROADWAY EXTENSION, SUITE 200, OKLAHOMA CITY, OK 73114  
 OFFICE: 405-840-3386 | TOLL FREE: 866-222-2575 | FAX: 831-597-0792  
 BUILDBLOCK.COM

6± INCH DEEP CONCRETE VOID REPAIR

DATE/REV	2-13-17	SCALE	NTS	DETAIL SHEET
----------	---------	-------	-----	--------------

NOTES	
-------	--

CONSTRUCTION SHALL BE IN ACCORDANCE WITH ALL APPLICABLE LOCAL AND NATIONAL CODES. ALL DRAWINGS ARE SUBJECT TO CHANGE WITHOUT NOTICE.

**66C**