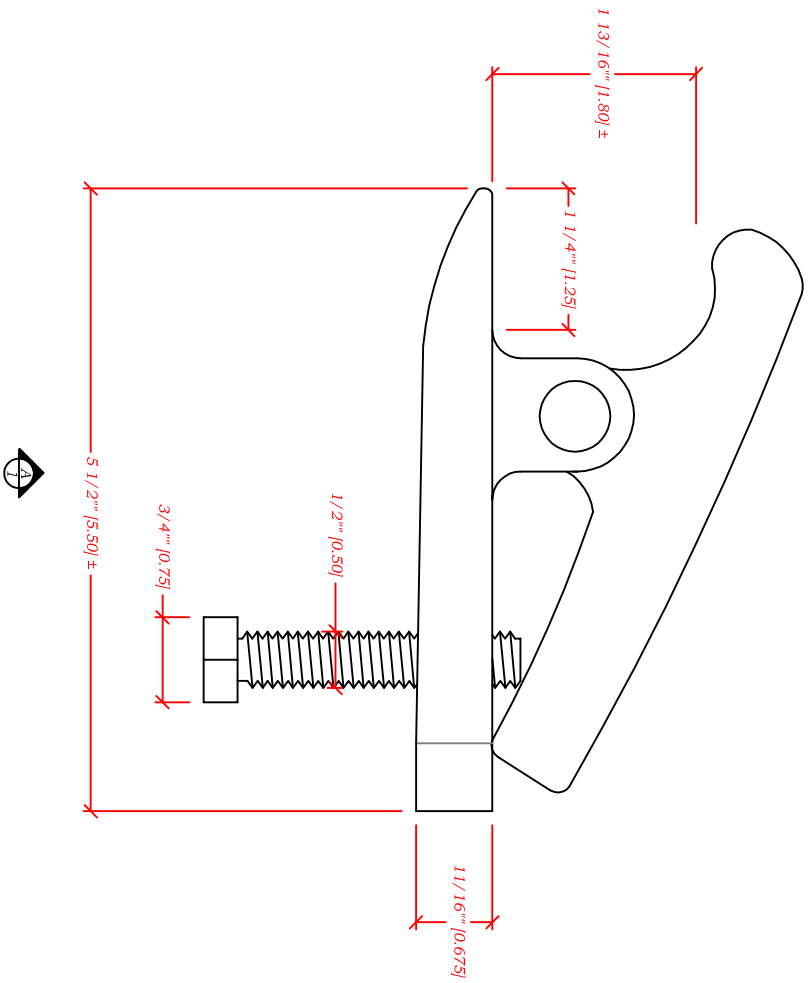
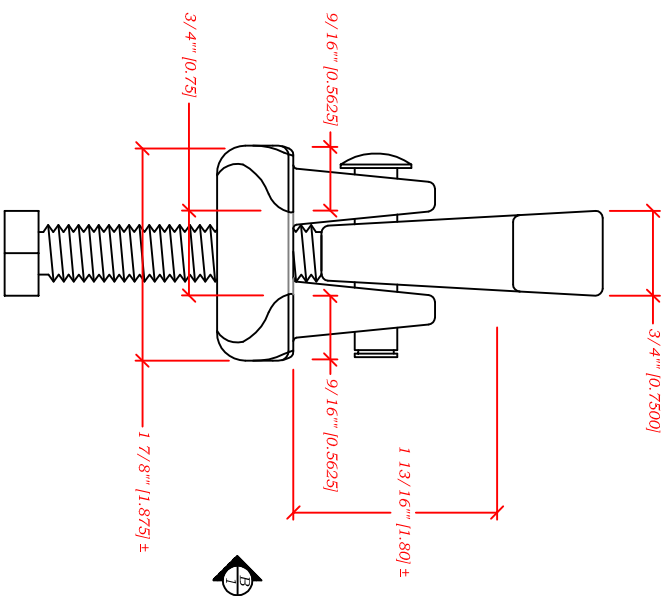


B BOTTOM VIEW
NOT TO SCALE

MR 1954G TIE ROD END BALL JOINT TOOL BLACK



B SIDE ELEVATION
NOT TO SCALE



F FRONT ELEVATION
NOT TO SCALE