



**FENE  STAR**

*Thermal Steel & Bronze Windows & Doors*

**Folding Doors**



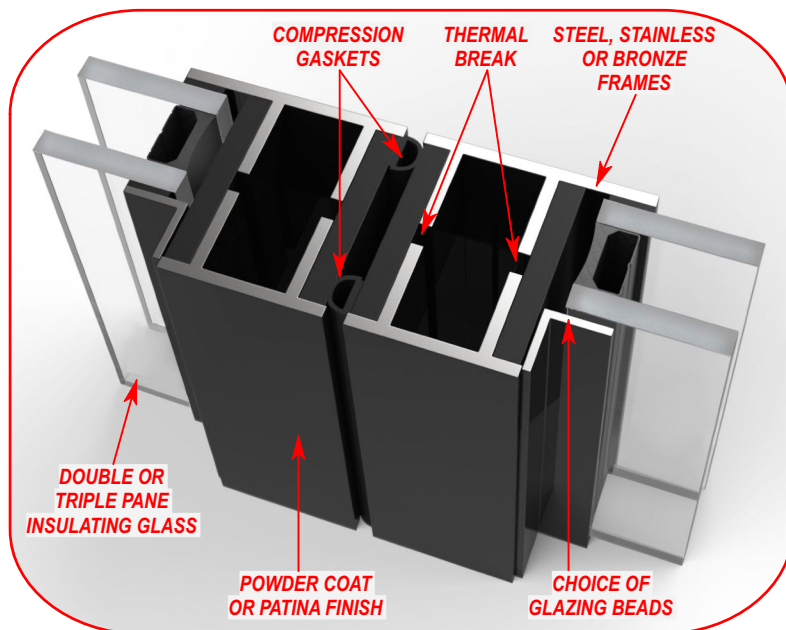
## Overview

### STUNNING SPACES

Maximize your space utilization by connecting or partitioning your valuable areas, seamlessly transforming two spaces into one or vice versa.

Integrate the outdoors into your living space by effortlessly opening Fenestar Folding Doors and neatly stacking them, unveiling striking, unobstructed views and creating a spacious, open environment.

Experience daily convenience with easy access made effortless. Fenestar Folding Doors can incorporate a "man door" that functions independently, operating just like a standard swing door while maintaining a cohesive appearance with the folding panels.



### FORM + FUNCTION

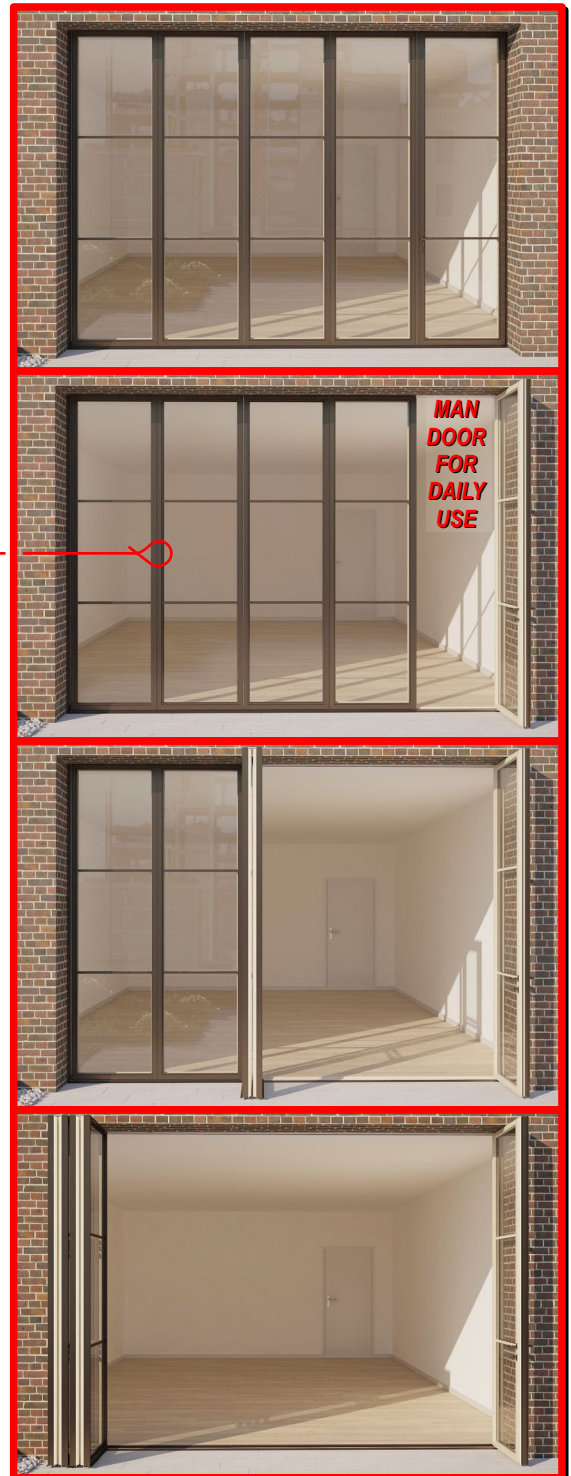
Experience the expansive beauty of Fenestar Folding Door panels, characterized by their slender sightlines that maximize both the glass area and breathtaking views. These panels operate effortlessly, thanks to expertly crafted hardware, and offer a sense of security when closed, ensuring your peace of mind.

Choose between the robust elegance of fully welded steel or stainless steel frames, available in a spectrum of colors, or opt for the enduring charm of real bronze patinated frames. Both options blend strength and aesthetics seamlessly.

Rest assured that performance is paramount. Fenestar Folding Doors feature fully thermally broken frames, seamlessly integrated with double or triple-pane insulating glass, delivering unparalleled energy efficiency for a home that prioritizes comfort without compromising on style.

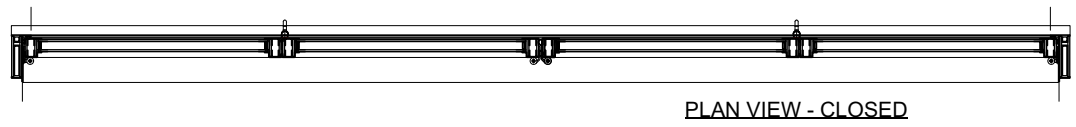
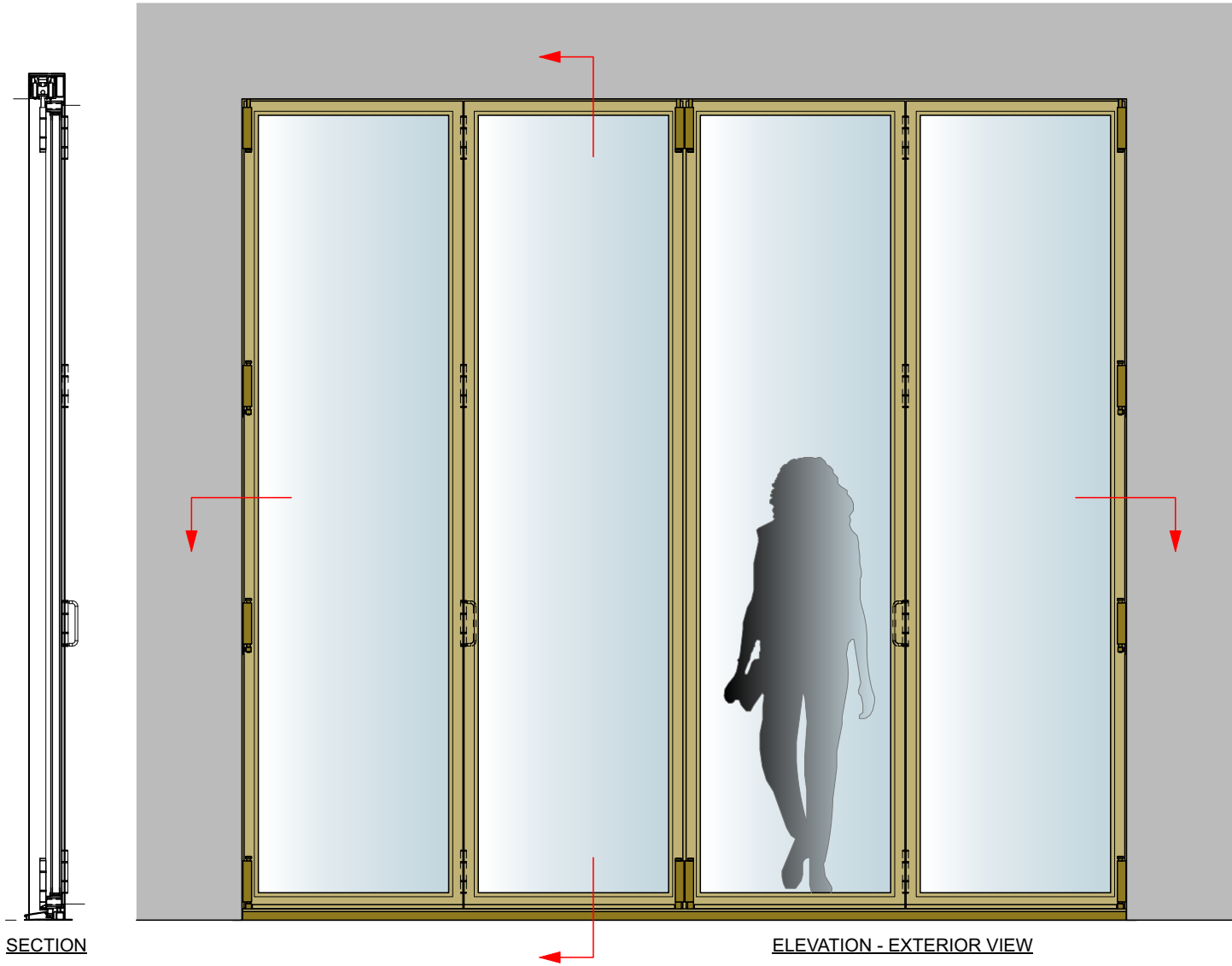
Don't see exactly what you need?  
Consult with Fenestar for full range of options and custom possibilities.  
www.fenestarus.com  
(862) 343-9299

### COMPLETELY OPEN INDOORS TO OUTDOORS



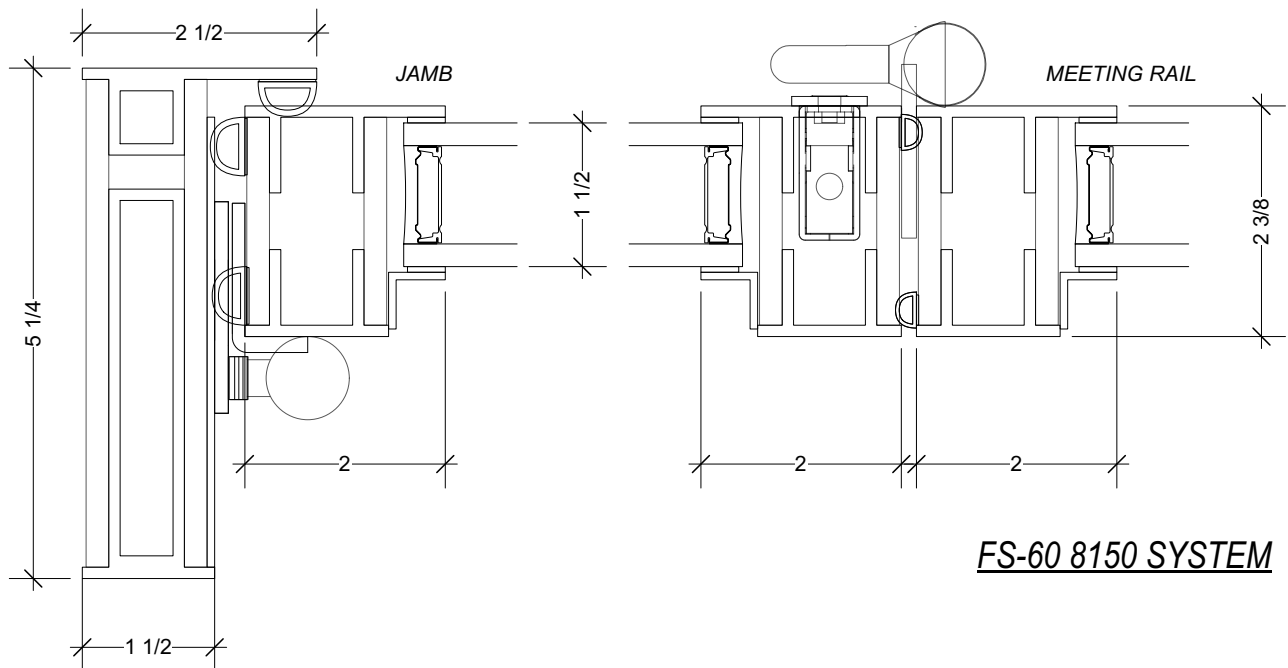
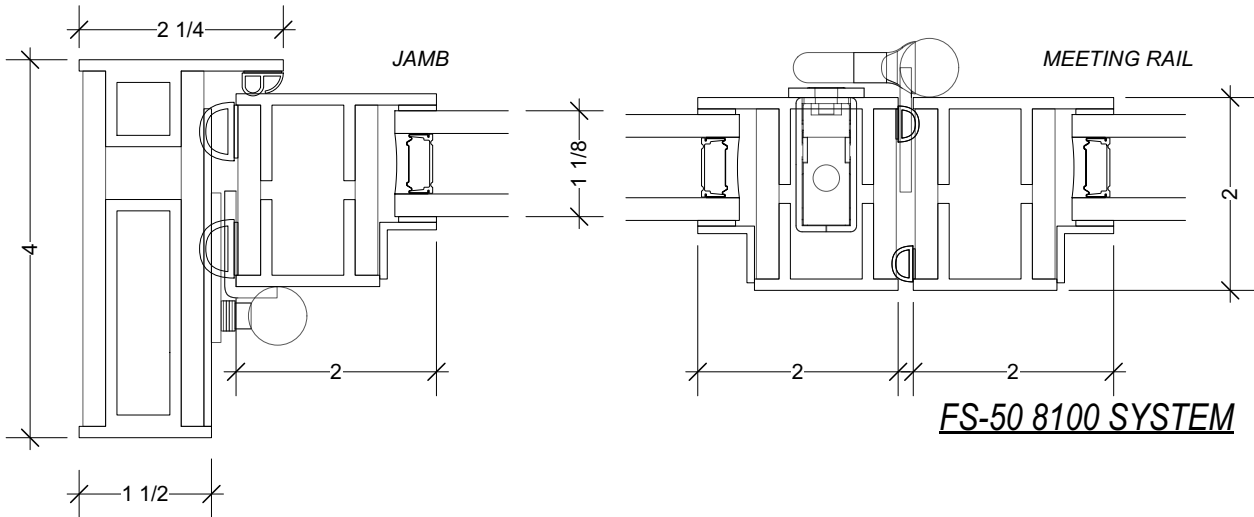
Don't see exactly what you need?  
Consult with Fenestar for full range of  
options and custom possibilities.  
[www.fenestarus.com](http://www.fenestarus.com)  
(862) 343-9299

## Example Elevation



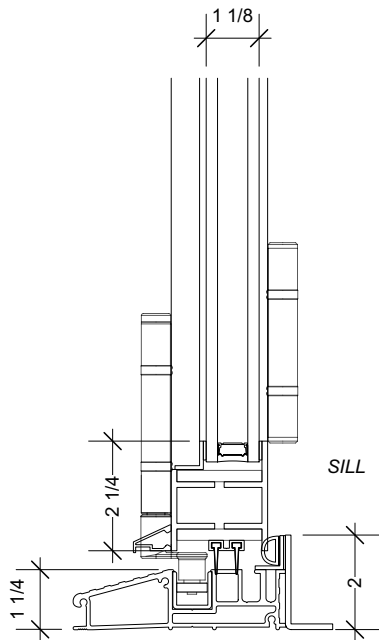
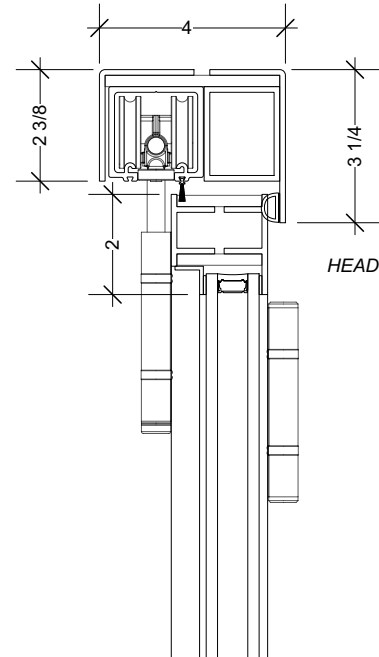
## Horizontal Section Details

Don't see exactly what you need?  
 Consult with Fenestar for full range of  
 options and custom possibilities.  
[www.fenestarus.com](http://www.fenestarus.com)  
 (862) 343-9299

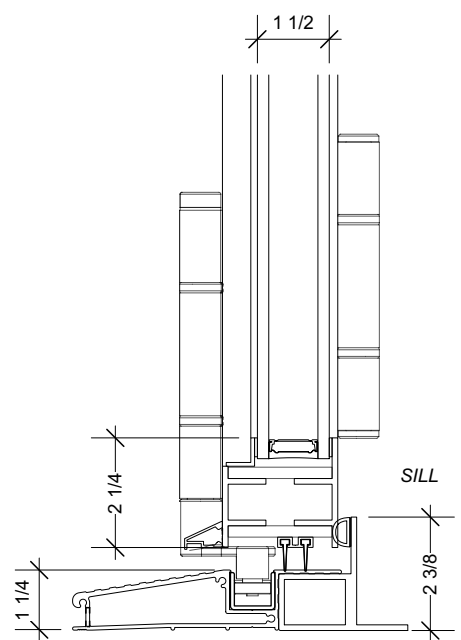
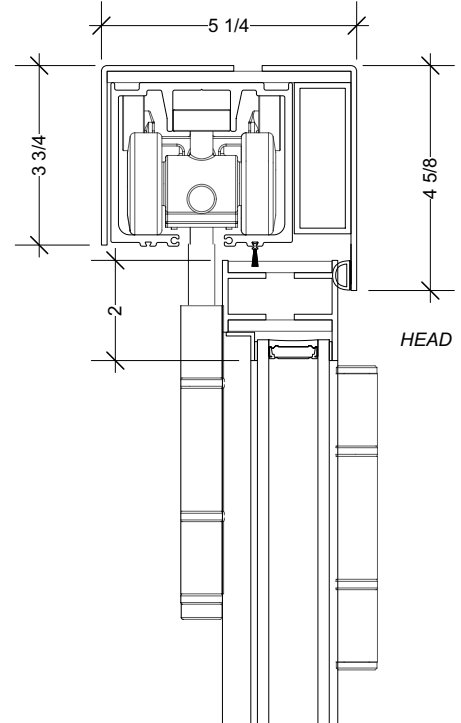


Don't see exactly what you need?  
 Consult with Fenestar for full range of  
 options and custom possibilities.  
[www.fenestarus.com](http://www.fenestarus.com)  
 (862) 343-9299

## Vertical Section Details



**FS-50 8100 SYSTEM**

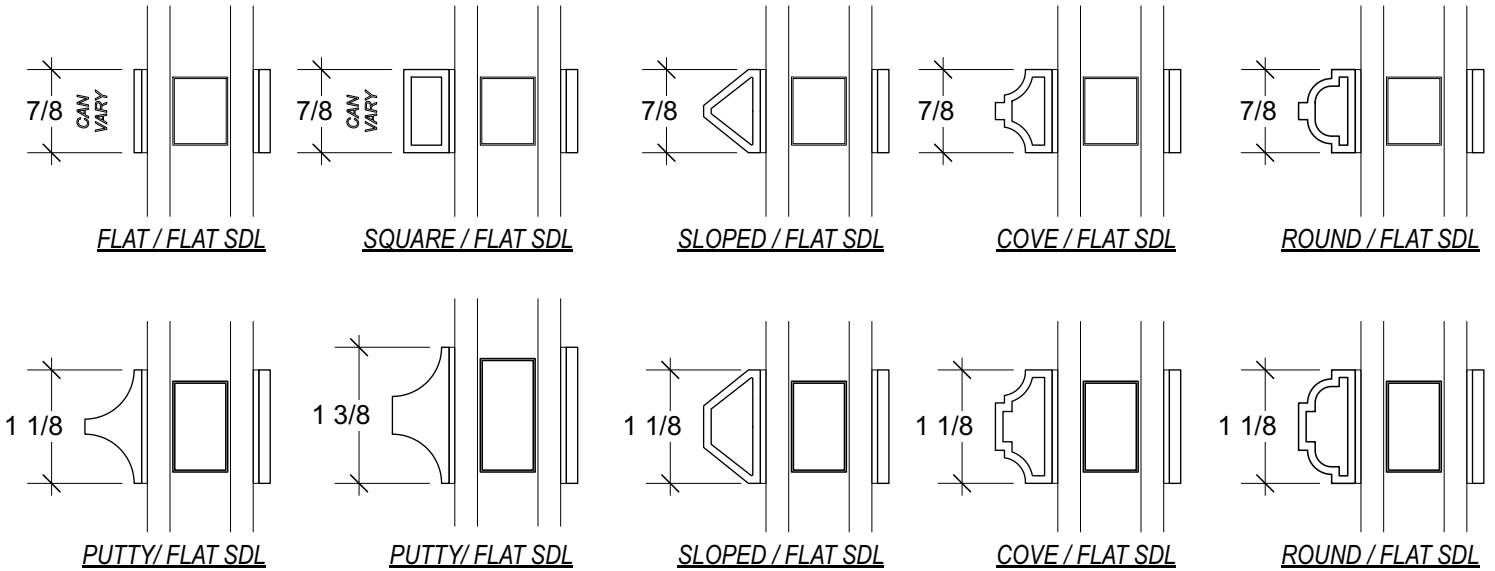


**FS-60 8150 SYSTEM**

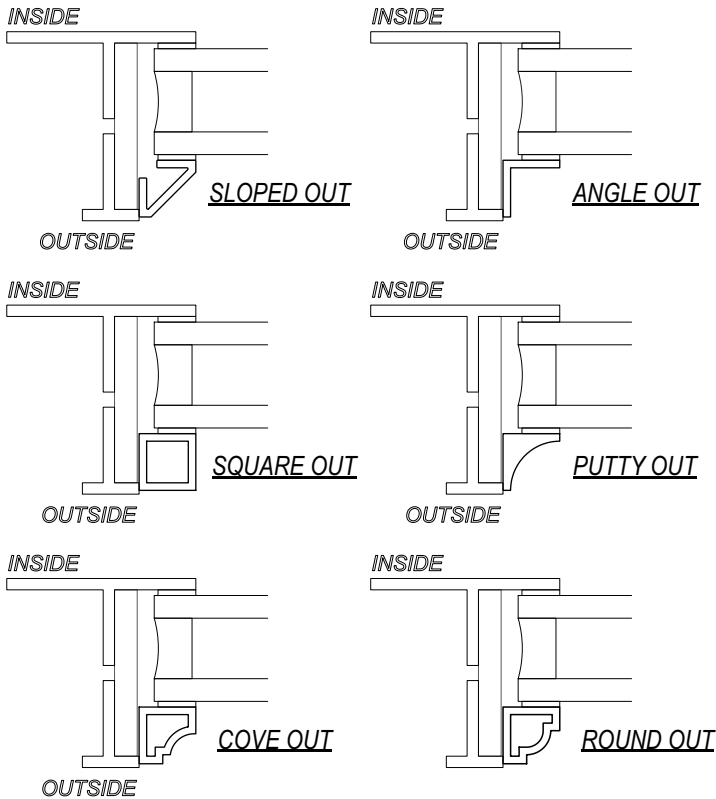
Don't see exactly what you need?  
 Consult with Fenestar for full range of  
 options and custom possibilities.  
[www.fenestarus.com](http://www.fenestarus.com)  
 (862) 343-9299

## Muntins & Glazing Beads

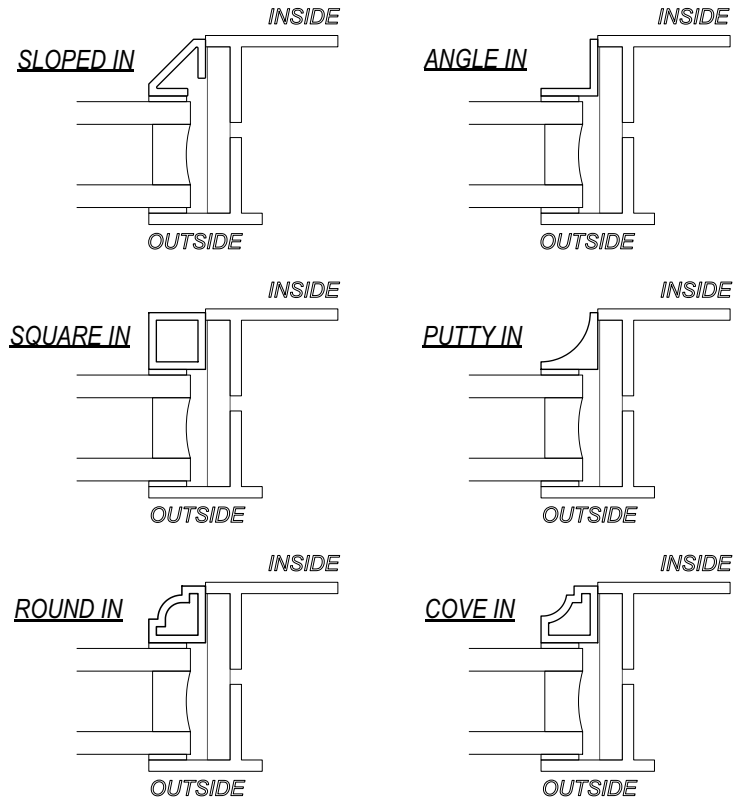
### MUNTIN GRIDS - STANDARD OPTIONS



### OUTSIDE GLAZED STANDARD BEAD PROFILES



### INSIDE GLAZED STANDARD BEAD PROFILES



Don't see exactly what you need?  
 Consult with Fenestar for full range of  
 options and custom possibilities.  
[www.fenestarusa.com](http://www.fenestarusa.com)  
 (862) 343-9299

## Panel Configurations



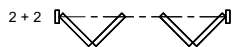
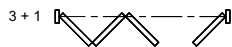
2 PANELS



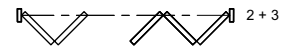
3 PANELS



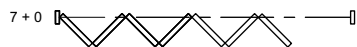
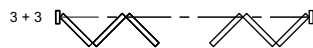
4 PANELS



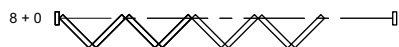
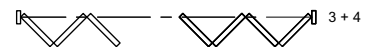
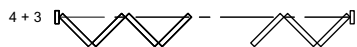
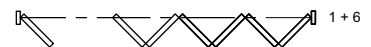
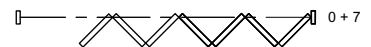
5 PANELS



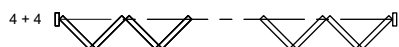
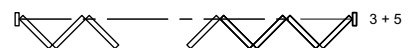
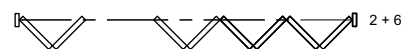
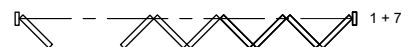
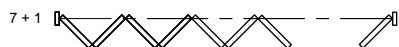
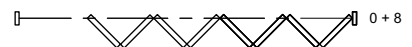
6 PANELS



7 PANELS



8 PANELS



## Finish Options

Don't see exactly what you need?  
 Consult with Fenestar for full range of options and custom possibilities.  
[www.fenestarusa.com](http://www.fenestarusa.com)  
 (862) 343-9299

### STEEL FRAMES



RAL COLORS

Fenestar Folding Doors are available with galvanized steel or stainless steel frames, factory finished with a Super Durable polyester powdercoat finish. Any RAL color can be selected.

This standard powder coat finish provides excellent exterior durability, excellent chemical resistance, is highly impact resistant and very flexible, it has excellent abrasion resistance, and meets and exceeds AAMA 2604 performance requirements.

- AAMA 2604 performance standard
- Select any RAL color standard
- Custom color matching available
- Split finishes available  
 (different colors inside and out)
- Metallic finishes available
- Textured finishes available
- AAMA 2605 (Kynar) available

### BRONZE FRAMES

Fenestar Folding Doors are available with real bronze frames, factory finished in beautiful hand grained Light or Dark patinas, and are shipped with a waxed coating to help protect the factory patina during shipping, handling and installation.

Bronze is a very low maintenance material and is extremely corrosion resistant. Bronze cannot rust – it only becomes more handsome with age.



LIGHT PATINA



DARK PATINA

Bronze is a material that can be left exposed to the elements and will simply darken and age, and become more and more beautiful, over time, because bronze naturally ages through surface oxidation, creating beautiful rustic tones of brown/bronze.

Consult with Fenestar regarding custom patina finishes.

### HARDWARE



Fenestar Folding Door hardware is a complete system that includes pivot sets, hanger sets, hinge sets, top track, bottom channel, seals, locking and flush bolts.

Visible folding door hardware is available in two standard finishes. Select either PVD Black or Satin Stainless beautiful and durable finishes.

Consult with Fenestar regarding custom hardware finishes.



PVD BLACK



SATIN STAINLESS



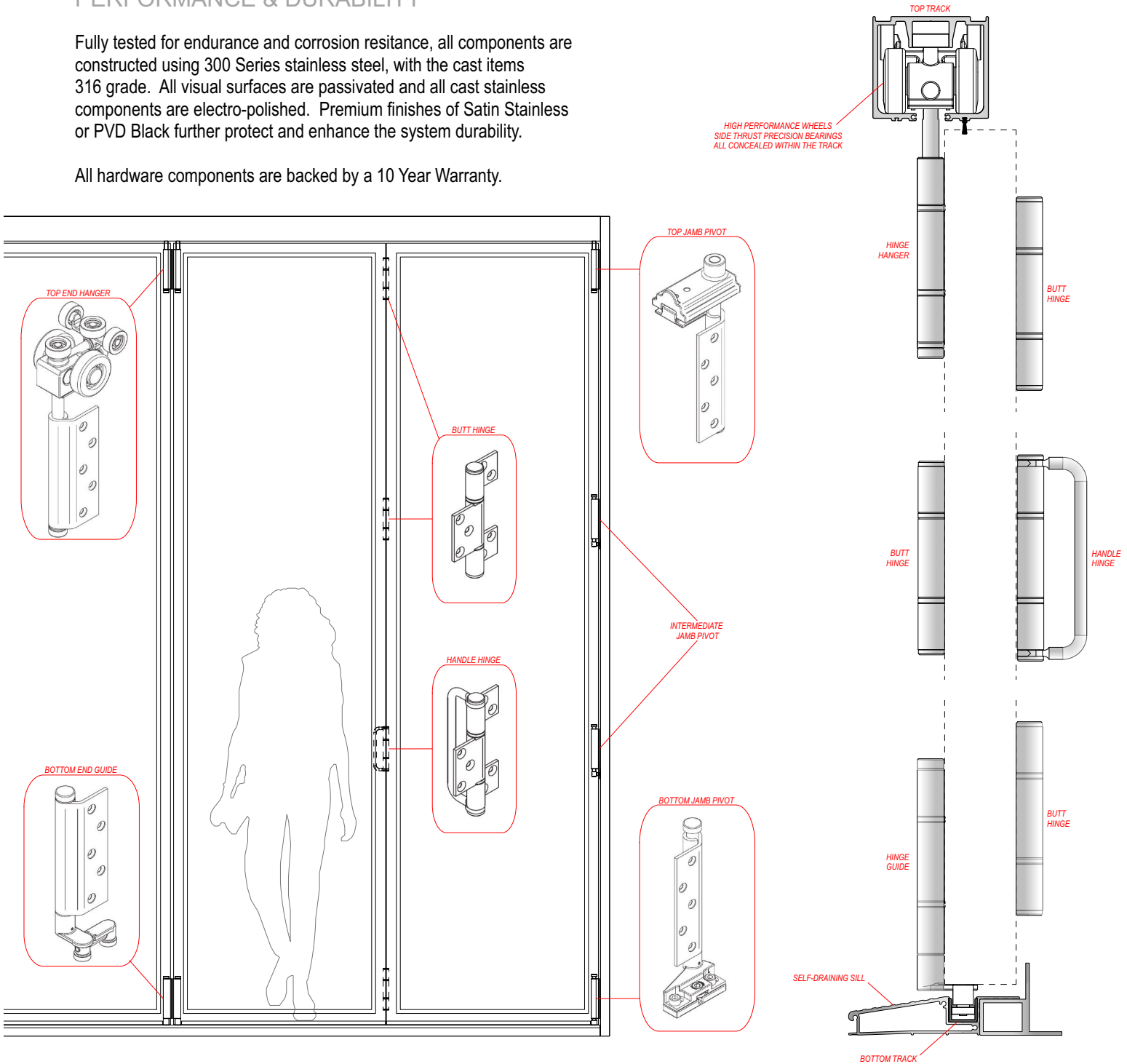
## Hardware

Don't see exactly what you need?  
 Consult with Fenestar for full range of  
 options and custom possibilities.  
[www.fenestarus.com](http://www.fenestarus.com)  
 (862) 343-9299

### PERFORMANCE & DURABILITY

Fully tested for endurance and corrosion resistance, all components are constructed using 300 Series stainless steel, with the cast items 316 grade. All visual surfaces are passivated and all cast stainless components are electro-polished. Premium finishes of Satin Stainless or PVD Black further protect and enhance the system durability.

All hardware components are backed by a 10 Year Warranty.

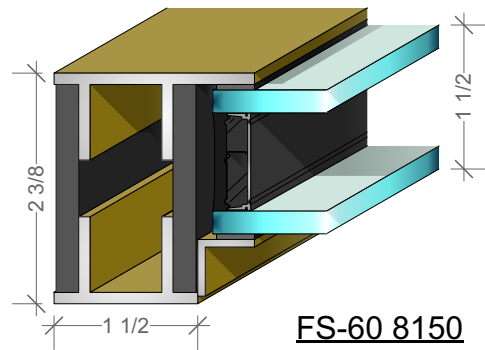
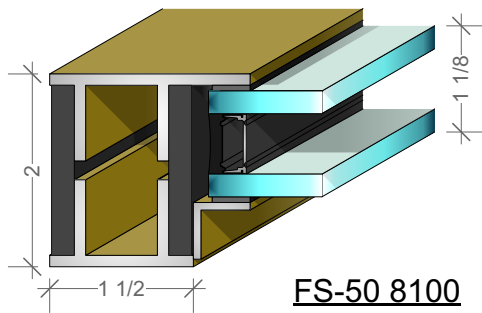


Don't see exactly what you need?  
 Consult with Fenestar for full range of  
 options and custom possibilities.  
[www.fenestarus.com](http://www.fenestarus.com)  
 (862) 343-9299

## Specifications

### System Comparison

SYSTEM	EXTERIOR FRAME MATERIAL	EXTERIOR FINISH	INTERIOR FRAME MATERIAL	INTERIOR FINISH	GLASS	MAX PANEL WIDTH	MAX PANEL HEIGHT	MAX PANEL WEIGHT	FUNCTION	MAX NO. OF PANELS
<b>FS-50 8100</b>	Steel, Stainless or Bronze	Powdercoat or Patina	Steel, Stainless or Bronze	Powdercoat or Patina	1-1/8" double IGU	38 in	126 in	220 lbs	Out-Swing Top-Hung	8 Each Direction
<b>FS-60 8150</b>	Steel, Stainless or Bronze	Powdercoat or Patina	Steel, Stainless or Bronze	Powdercoat or Patina	1-1/2" double or triple IGU	46 in	150 in	330 lbs	Out-Swing Top-Hung	8 Each Direction



**Materials:** Fully welded galvanized carbon steel, stainless steel or bronze profiles with true thermal break. Inside and outside materials can be different.

**Finish:** Electro-bond galvanizing, zinc enriched primer, and AAMA 2604 (Super Durable) powder coat in any RAL color is standard. Metallic or textured powder coat finishes are available. Split finishing (inside color different from outside color) is available. AAMA 2605 (Kynar) finish is available.

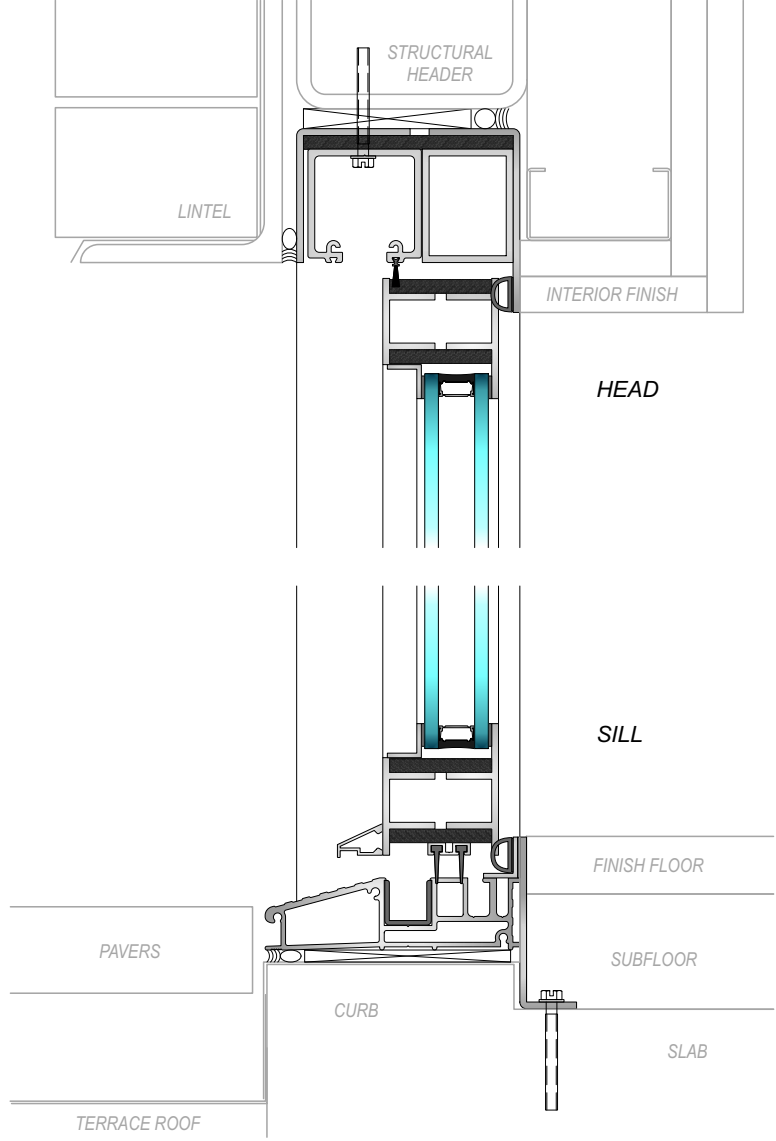
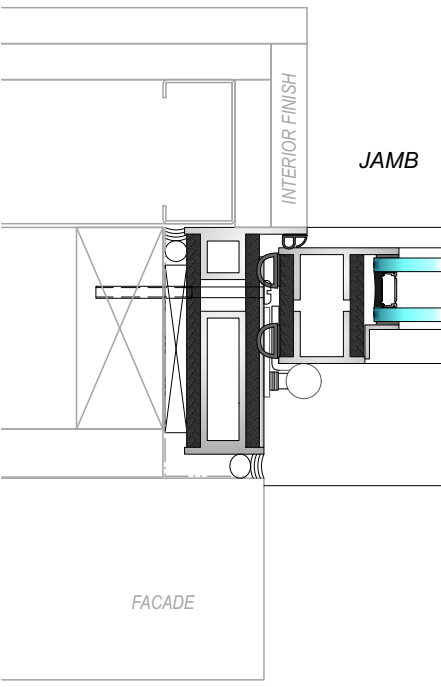
**Glazing:** High performance double or triple pane IGU, with ExtraClear tempered glass, SuperNeutral low-E coating and black warm edge spacer, all standard. Full range of other glass specifications and options are available.

### Hardware

SYSTEM	HINGES	HINGE FINISH	TOP ROLLERS	BOTTOM GUIDES	LOCKING	SILL	SILL FINISH	GASKETS	MAN DOOR FUNCTION
<b>ALL</b>	Stainless Steel	PVD Black or Satin Stainless	Stainless Steel Bearings	Stainless Steel	Concealed Multi-point Flush Bolts	Aluminum Self-draining	Dark Bronze or Clear Anodized	EPDM Black Triple Compression	Available

## Installation Example

Don't see exactly what you need?  
 Consult with Fenestar for full range of  
 options and custom possibilities.  
[www.fenestarus.com](http://www.fenestarus.com)  
 (862) 343-9299





*Thermal Steel & Bronze Windows & Doors*

**Fenestar USA LLC**

**110 Jabez St., Suite 309, Newark, NJ 07105**

**[www.fenestarus.com](http://www.fenestarus.com) - (862) 343-9299**