



FENE STAR

Thermal Steel & Bronze Windows & Doors

Swing Doors



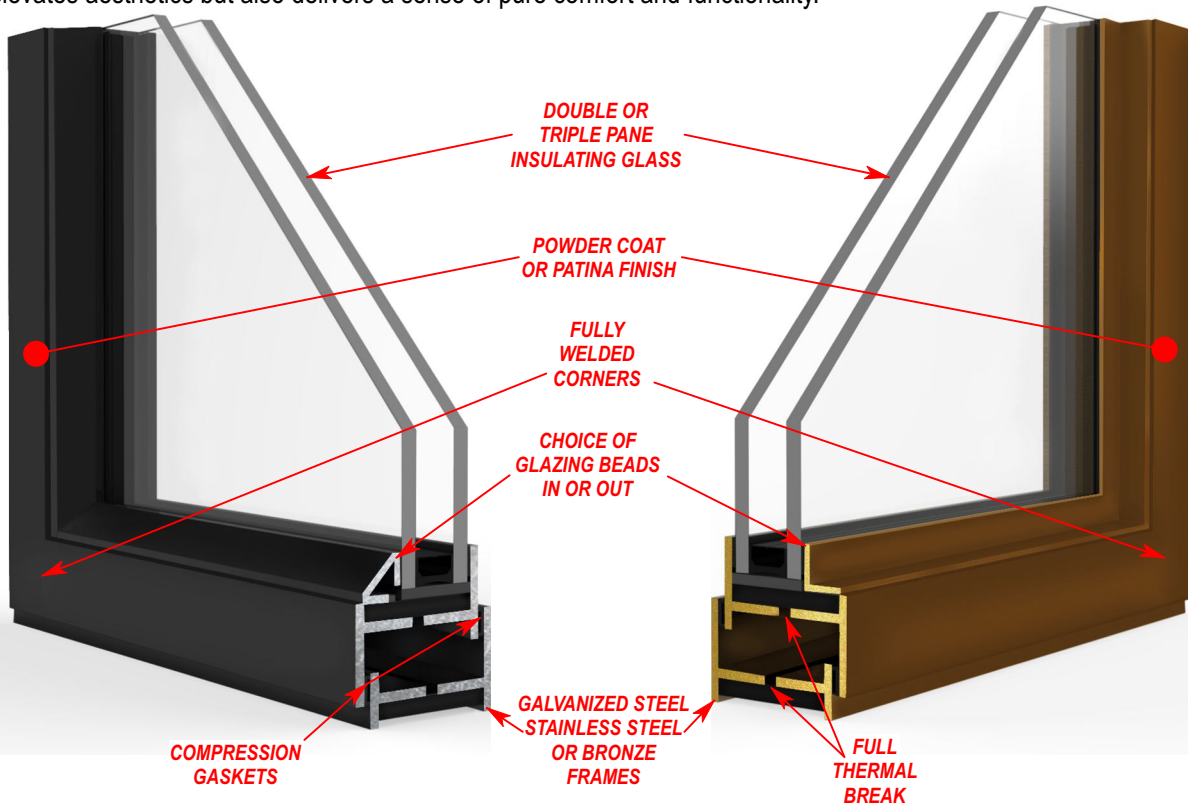
Don't see exactly what you need?
 Consult with Fenestar for full range of
 options and custom possibilities.
www.fenestarusa.com
 (862) 343-9299

Overview

Fenestar Swing Doors exemplify a commitment to design excellence, featuring slender sightlines that maximize glass area and offer unobstructed views. Operating with seamless precision on stainless steel pivot hinges, these doors incorporate concealed multiple locking point hardware, ensuring optimal sealing and security when closed.

The choice is yours between the strength and elegance of fully welded steel or stainless steel frames, customizable in any color, or the timeless appeal of real bronze patinated frames. Indulge in a wealth of options with decorative hardware stylings, glazing bead choices, and muntin grid designs to tailor these doors to your specific taste.

Importantly, Fenestar Swing Doors prioritize performance without compromise. Their fully thermally broken frames and sash, paired with high-performance insulating glass, guarantee superior insulation. Double compression gaskets further contribute to a door that not only elevates aesthetics but also delivers a sense of pure comfort and functionality.



STANDARD FEATURES

- Narrow Profiles for Slender Sightlines
- True Thermally-Broken Frames & Sash
- Fully Welded Construction
- 1-1/8" Double Pane Low-E IGU
- Warm Edge Glass Spacers
- Thermally-Broken Mullions
- Concealed Multi-Point Locking
- Stainless Steel Hardware Mechanisms
- Thermally-Broken Thresholds
- AAMA 2604 Superdurable Powdercoat Finish
- Choose any RAL color

UNIQUE OPTIONS

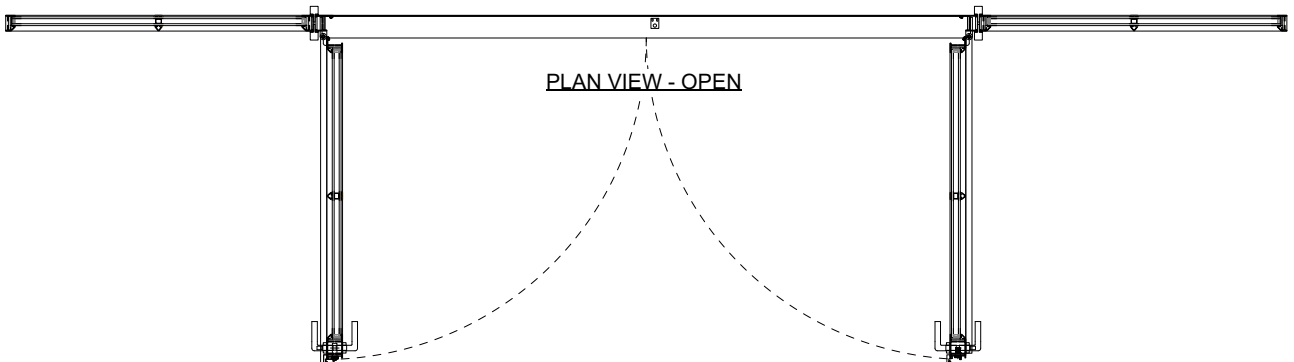
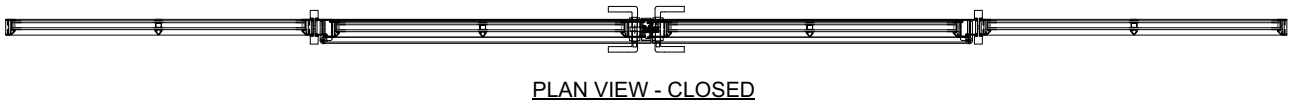
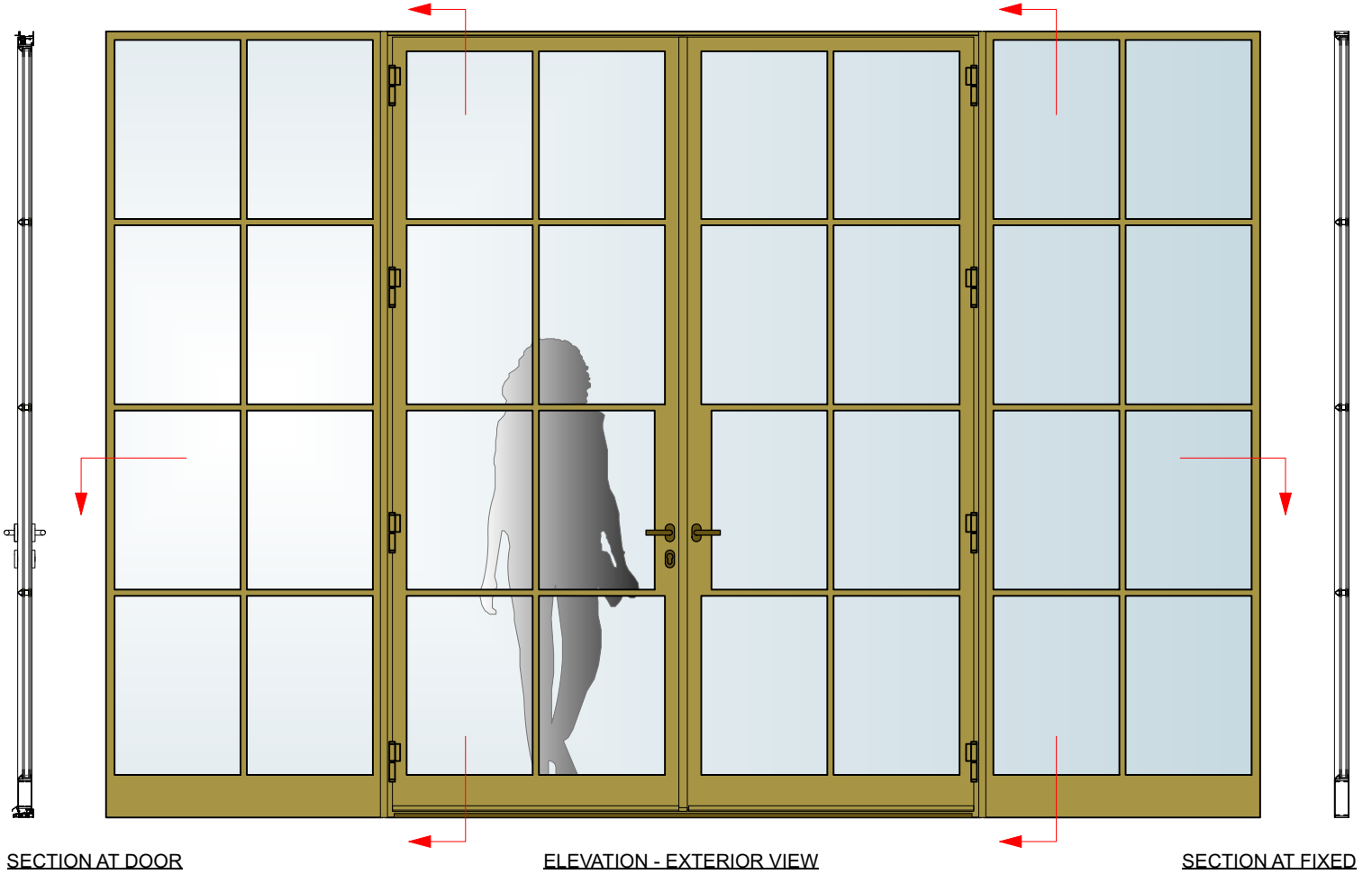
- Classic or Modern Styling
- Steel, Stainless Steel, or Bronze Frames
- In-Swing or Out-Swing Operation
- Inside or Outside Glazed
- Choice of Glazing Bead Profiles
- Custom Glass Specification
- SDL or TDL Muntin Grids
- Full Range of Decorative Lever Handles
- Split finishes, Custom color matching
- AAMA 2605 (Kynar) finish
- Shaped, Arched, Curved Units



Don't see exactly what you need?
Consult with Fenestar for full range of
options and custom possibilities.

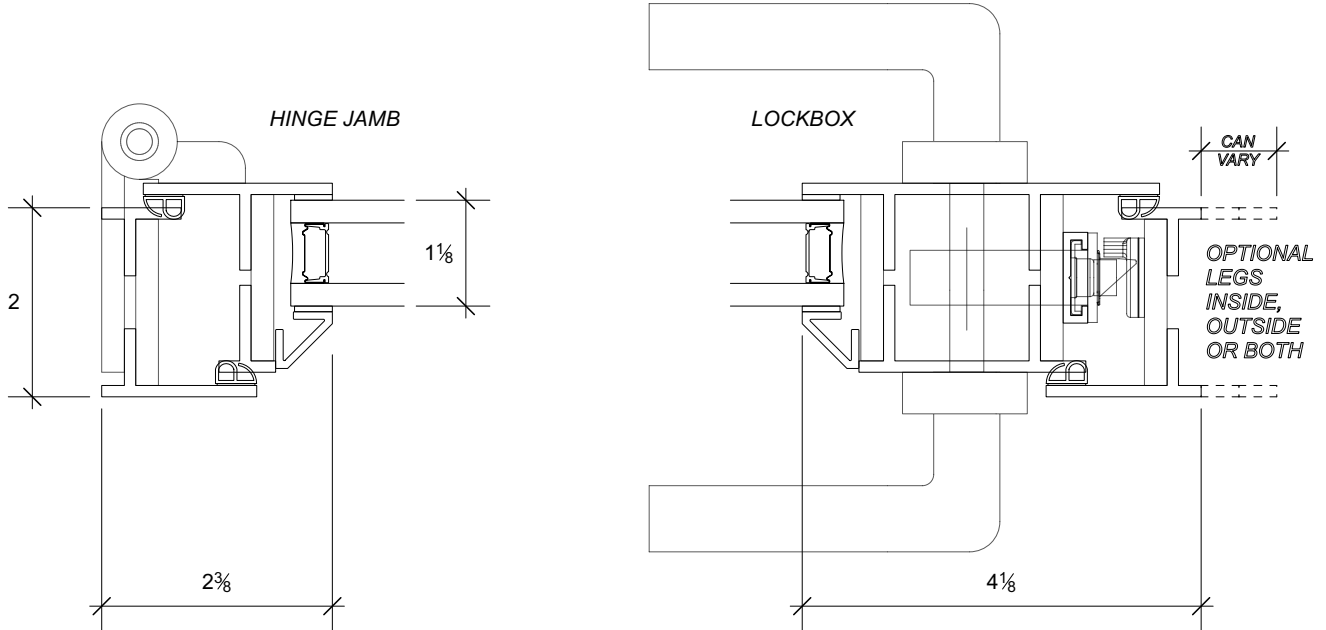
www.fenestarusa.com
(862) 343-9299

Example Elevation

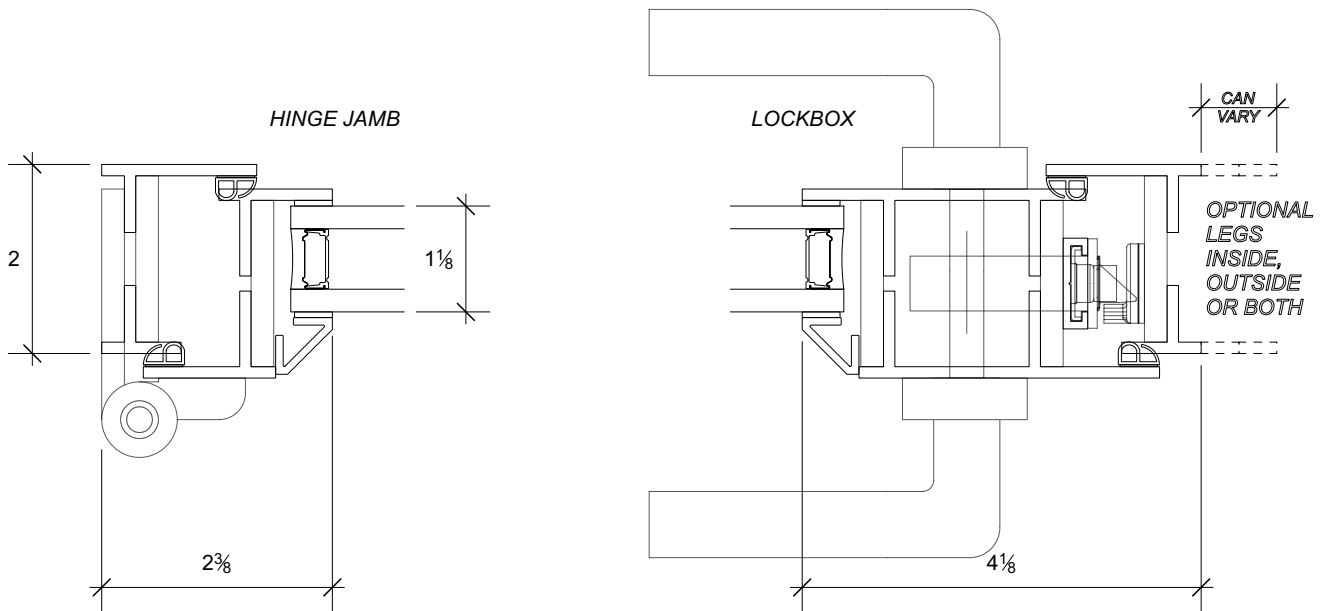


Don't see exactly what you need?
 Consult with Fenestar for full range of
 options and custom possibilities.
www.fenestarusa.com
 (862) 343-9299

Horizontal Section Details



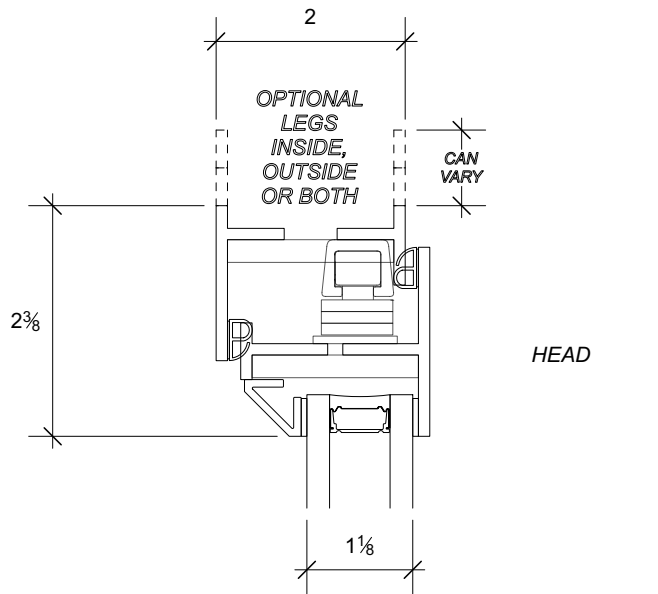
FS-50 4000 IN-SWING DOOR



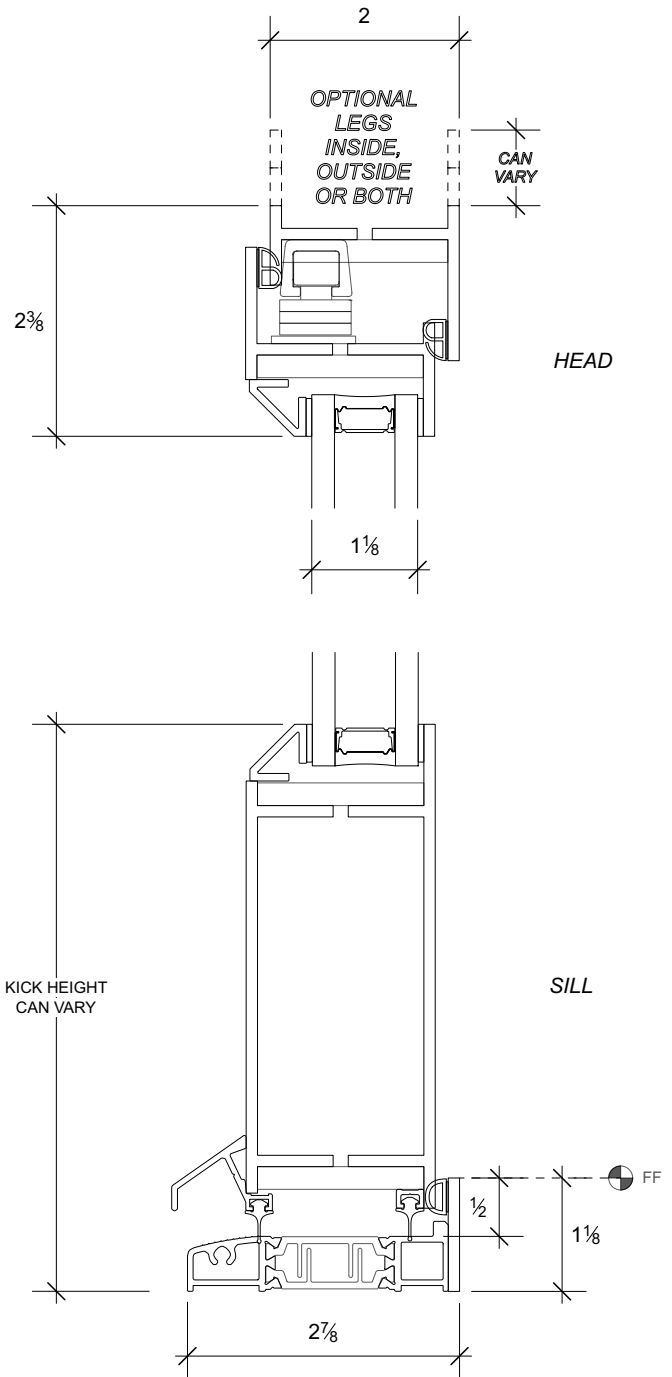
FS-50 5000 OUT-SWING DOOR

Don't see exactly what you need?
 Consult with Fenestar for full range of
 options and custom possibilities.
www.fenestarusa.com
 (862) 343-9299

Vertical Section Details



FS-50 4000 IN-SWING DOOR

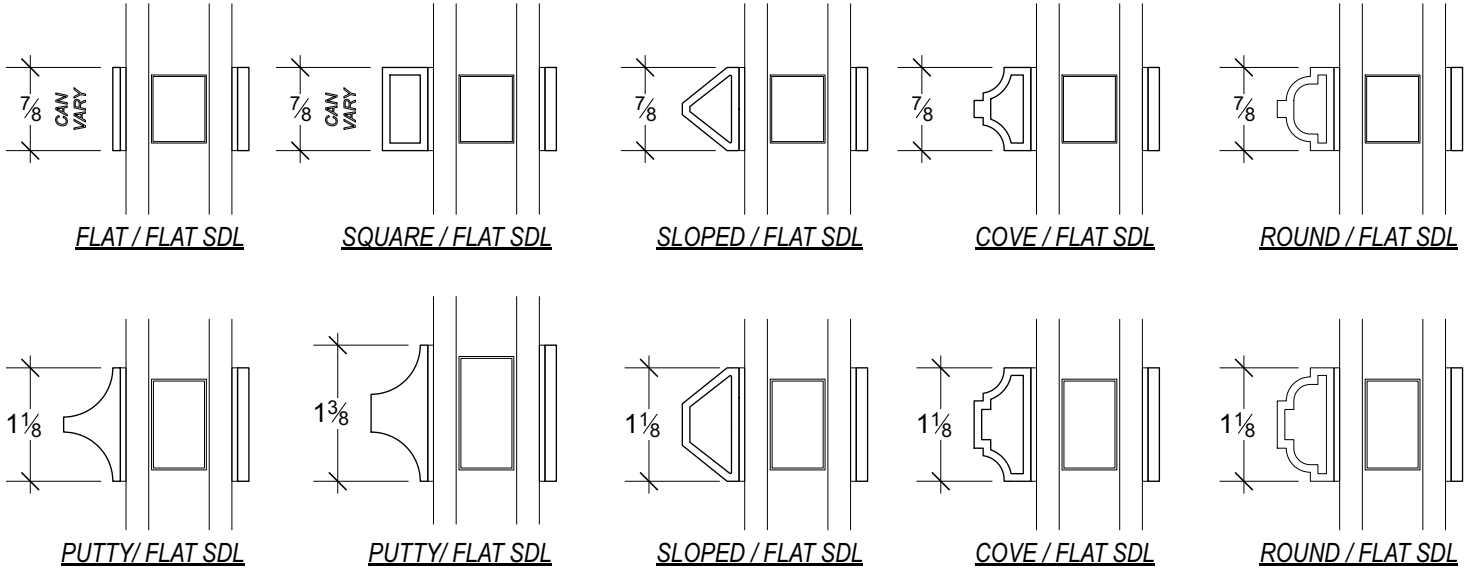


FS-50 5000 OUT-SWING DOOR

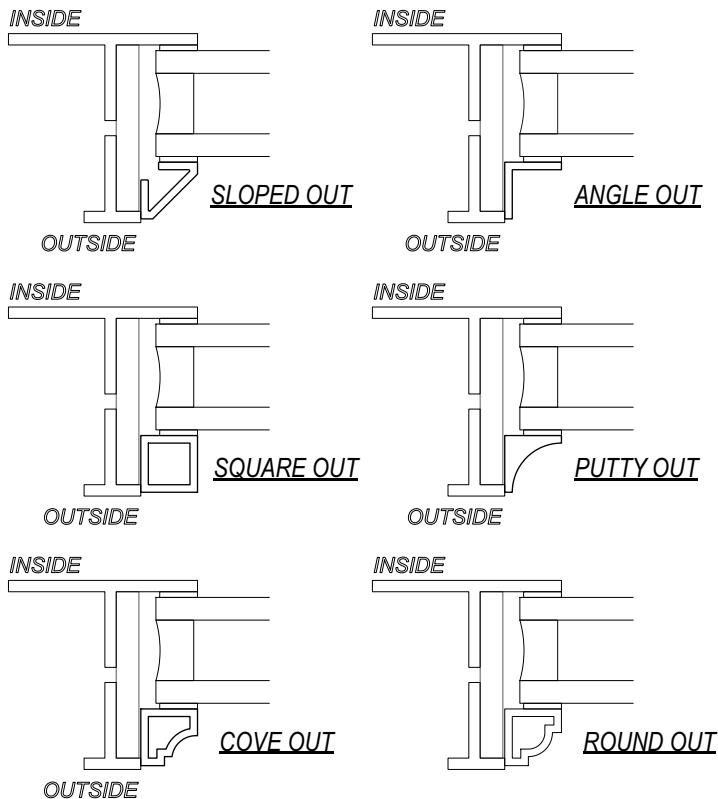
Don't see exactly what you need?
 Consult with Fenestar for full range of
 options and custom possibilities.
www.fenestarusa.com
 (862) 343-9299

Muntins & Glazing Beads

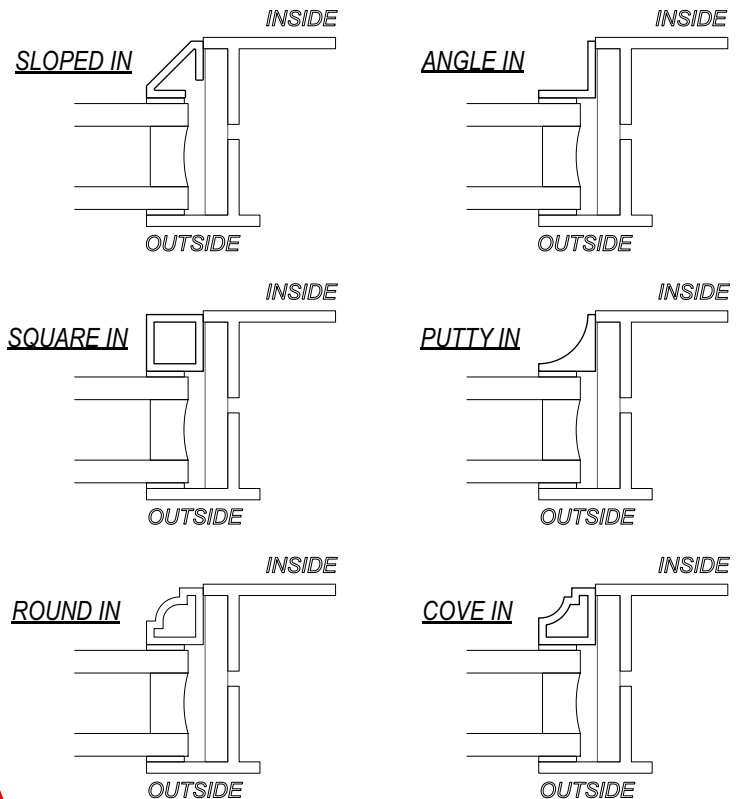
MUNTIN GRIDS - STANDARD OPTIONS



OUTSIDE GLAZED STANDARD BEAD PROFILES



INSIDE GLAZED STANDARD BEAD PROFILES



Thermal Steel & Bronze Windows & Doors

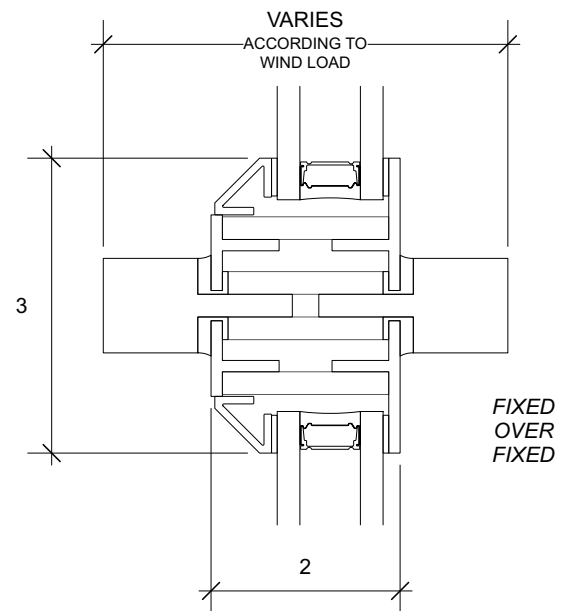
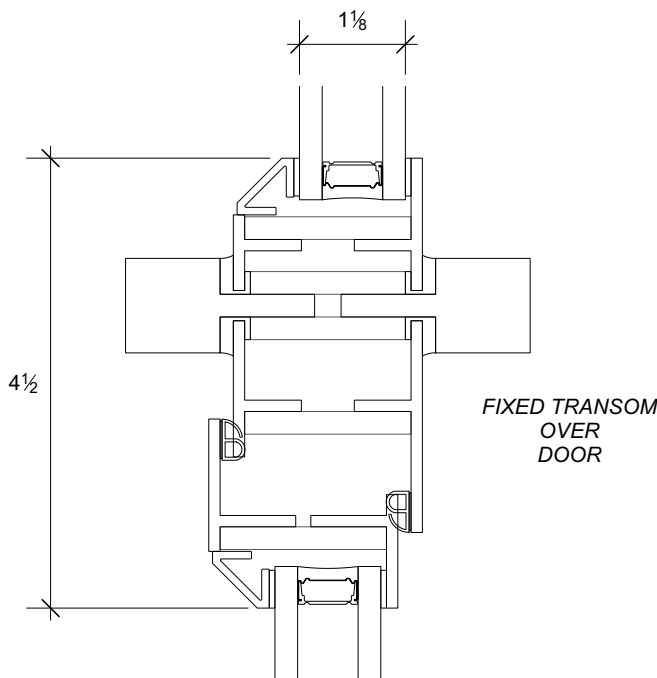
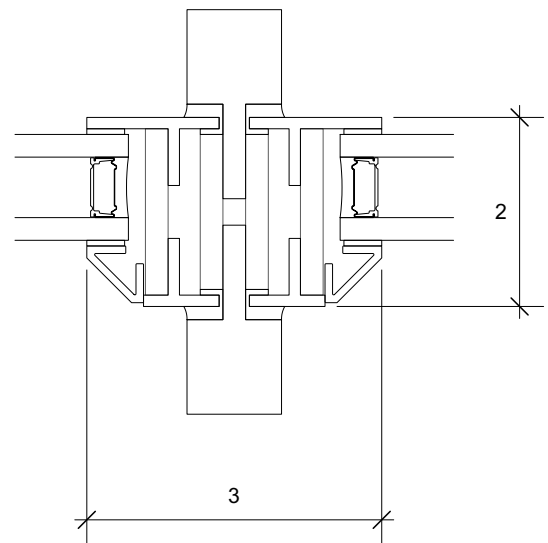
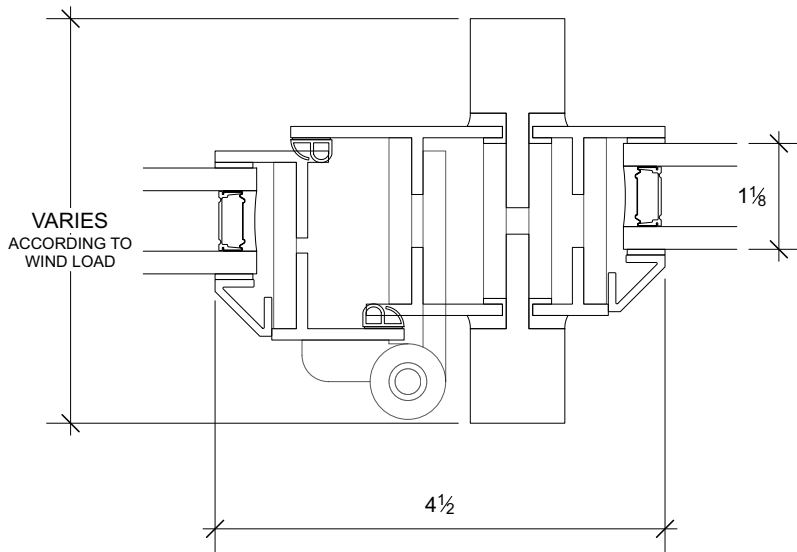
Don't see exactly what you need?
 Consult with Fenestar for full range of
 options and custom possibilities.
www.fenestarus.com
 (862) 343-9299

Mullions

with FULL THERMAL BREAK

DOOR TO FIXED SIDELITE

FIXED TO FIXED



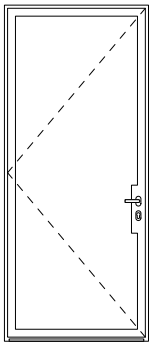
Don't see exactly what you need?
 Consult with Fenestar for full range of
 options and custom possibilities.
www.fenestarus.com
 (862) 343-9299

Configurations

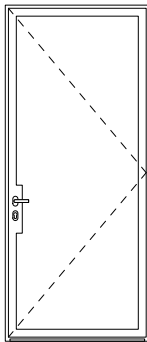
either IN-SWING or OUT-SWING available

all units CUSTOM SIZE, built to order

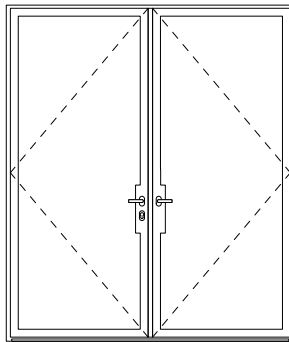
SHAPED, RADIUS and ARCHED configurations possible



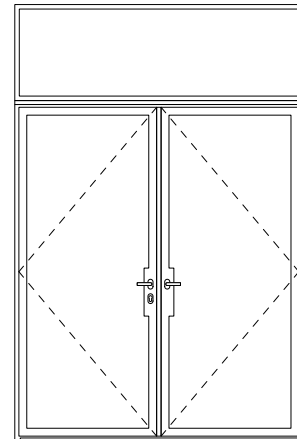
*SINGLE
LEFT*



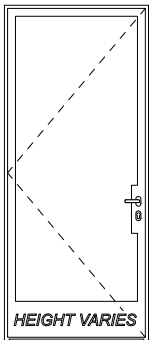
*SINGLE
RIGHT*



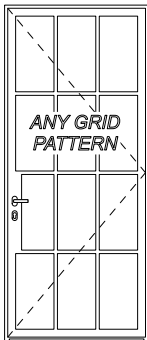
*FRENCH
PAIR*



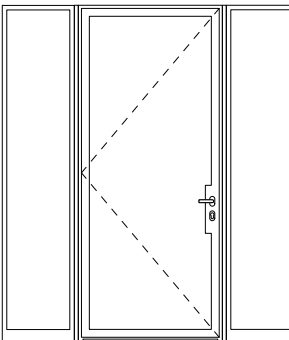
*OPTIONAL
TRANSOM*



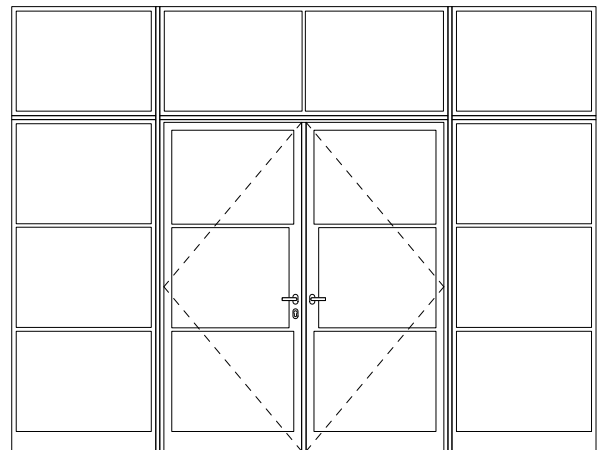
*OPTIONAL
KICK*



*OPTIONAL
MUNTINS*



*OPTIONAL
SIDELITES*



*EXAMPLE WITH
MUNTINS, KICKS, TRANSOMS & SIDELITES*

Finishes

STEEL FRAMES



RAL COLORS

Fenestar Swing Doors are available with galvanized steel or stainless steel frames, factory finished with a Super Durable polyester powdercoat finish. Any RAL color can be selected.

This standard powder coat finish provides excellent exterior durability, excellent chemical resistance, is highly impact resistant and very flexible, it has excellent abrasion resistance, and meets and exceeds AAMA 2604 performance requirements.

Don't see exactly what you need? Consult with Fenestar for full range of options and custom possibilities.
www.fenestarusa.com
 (862) 343-9299

- AAMA 2604 performance standard
- Select any RAL color standard
- Custom color matching available
- Split finishes available
 (different colors inside and out)
- Metallic finishes available
- Textured finishes available
- AAMA 2605 (Kynar) available

Consult with Fenestar regarding custom paint finishes.

BRONZE FRAMES

Fenestar Swing Doors are available with real bronze frames, factory finished in beautiful hand grained Light or Dark patinas, and are shipped with a waxed coating to help protect the factory patina during shipping, handling and installation.

Bronze is a very low maintenance material and is extremely corrosion resistant. Bronze cannot rust – it only becomes more handsome with age.



LIGHT PATINA



DARK PATINA

Bronze is a material that can be left exposed to the elements and will simply darken and age, and become more and more beautiful, over time, because bronze naturally ages through surface oxidation, creating beautiful rustic tones of brown/bronze.

Consult with Fenestar regarding custom patina finishes.

HARDWARE



Fenestar Swing Door hardware is a complete system that includes decorative and stylish brass lever handles and escutcheons, profile cylinder locking, stainless steel hinges and mortise locks, and concealed multi-point latching, stay arms and flush bolts.

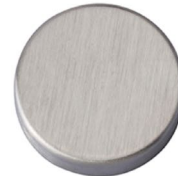
Refer to Fenestar's

DOOR HARDWARE SELECTION GUIDE

for the full range of Fenestar's available hardware styles and options.



DARK BRONZE



SATIN CHROME

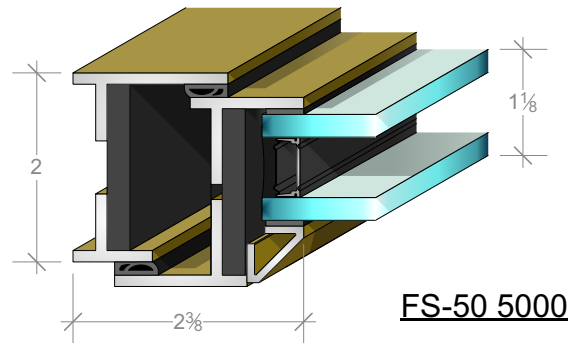
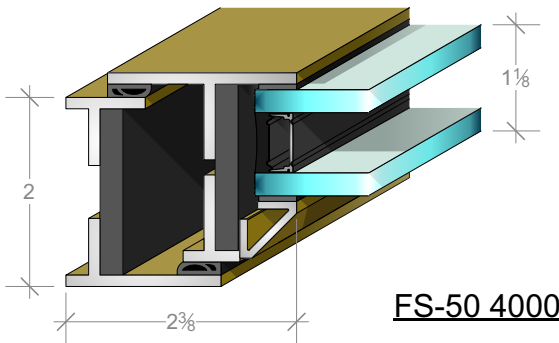
Consult with Fenestar regarding custom hardware finishes.

Don't see exactly what you need?
 Consult with Fenestar for full range of
 options and custom possibilities.
www.fenestarusa.com
 (862) 343-9299

Specifications

Standard Products

TYPE	FUNCTION	FRAME MATERIAL	FRAME FINISH	GLASS	MAX LEAF WIDTH	MAX LEAF HEIGHT	AIR	WATER	WIND LOAD	U-VALUE	SHGC	OITC
FS-50 4000	In-Swing Single Leaf	Steel, Stainless or Bronze	Powdercoat or Patina	1-1/8" double IGU	42 in	138 in	0.06 cfm/ft2	6.24 psf	60 psf	≤ 0.32	≤ 0.35	28 to 42
FS-50 4200	In-Swing French Pair	Steel, Stainless or Bronze	Powdercoat or Patina	1-1/8" double IGU	42 in	138 in	0.06 cfm/ft2	6.24 psf	60 psf	≤ 0.32	≤ 0.35	28 to 42
FS-50 5000	Out-Swing Single Leaf	Steel, Stainless or Bronze	Powdercoat or Patina	1-1/8" double IGU	42 in	138 in	0.06 cfm/ft2	9 psf	60 psf	≤ 0.32	≤ 0.35	28 to 42
FS-50 5200	Out-Swing French Pair	Steel, Stainless or Bronze	Powdercoat or Patina	1-1/8" double IGU	42 in	138 in	0.06 cfm/ft2	9 psf	60 psf	≤ 0.32	≤ 0.35	28 to 42



Materials: Fully welded galvanized steel, stainless steel or bronze profiles with true thermal break. Inside and outside materials can be different.

Finish: Electro-bond galvanizing, zinc enriched primer, and AAMA 2604 (Super Durable) powder coat in any RAL color is standard. Metallic or textured powder coat finishes are available. Split finishing (inside color different from outside color) is available. AAMA 2605 (Kynar) finish is available.

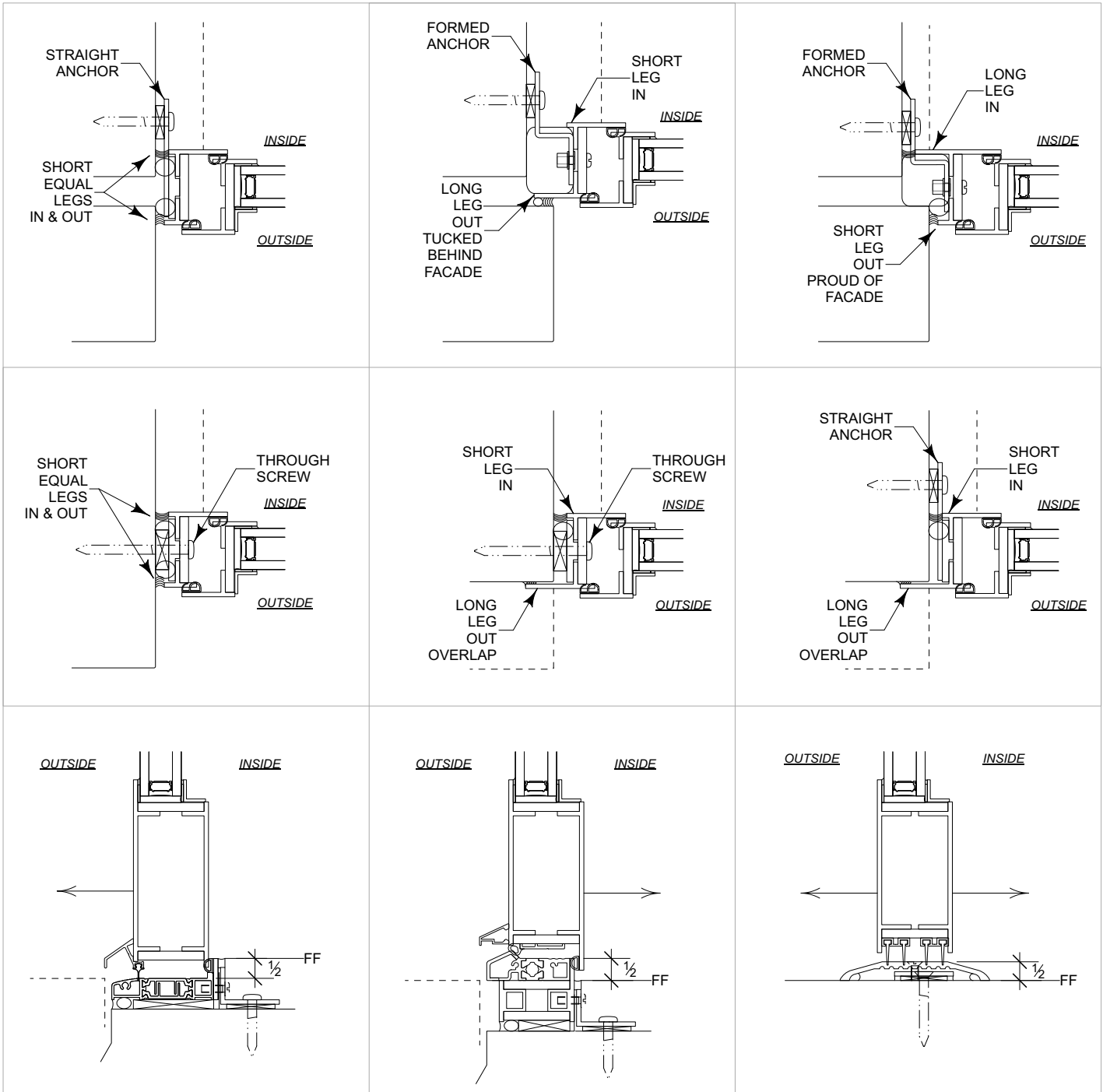
Glazing: High performance double pane IGU, with ExtraClear tempered glass, SuperNeutral low-E coating and black warm edge spacer, all standard. Full range of other glass specifications and options are available.

Standard Hardware

HINGES	HINGE FINISH	LEVER HANDLES	MORTISE LOCK	LATCHING	LOCKING	SILL	SILL FINISH	GASKETS	90° STAY ARM	180° SWING FUNCTION
Stainless Steel	Powder coat	In / Out, Select Style & Finish	Stainless Steel	Concealed Multiple Locking Points	Key Cylinder, Thumbturn	Thermally-broken Aluminum, or Bronze	Dark Bronze or Clear Anodized	Double, EPDM Black, Compression	Concealed, Stainless Steel	Available

Installation Examples

Don't see exactly what you need?
 Consult with Fenestar for full range of
 options and custom possibilities.
www.fenestarusa.com
 (862) 343-9299





Thermal Steel & Bronze Windows & Doors

Fenestar USA LLC

110 Jabez St., Suite 309, Newark, NJ 07105
www.fenestarus.com - (862) 343-9299