



FENE  STAR

Thermal Steel & Bronze Windows & Doors

Thermal+ Windows & Doors



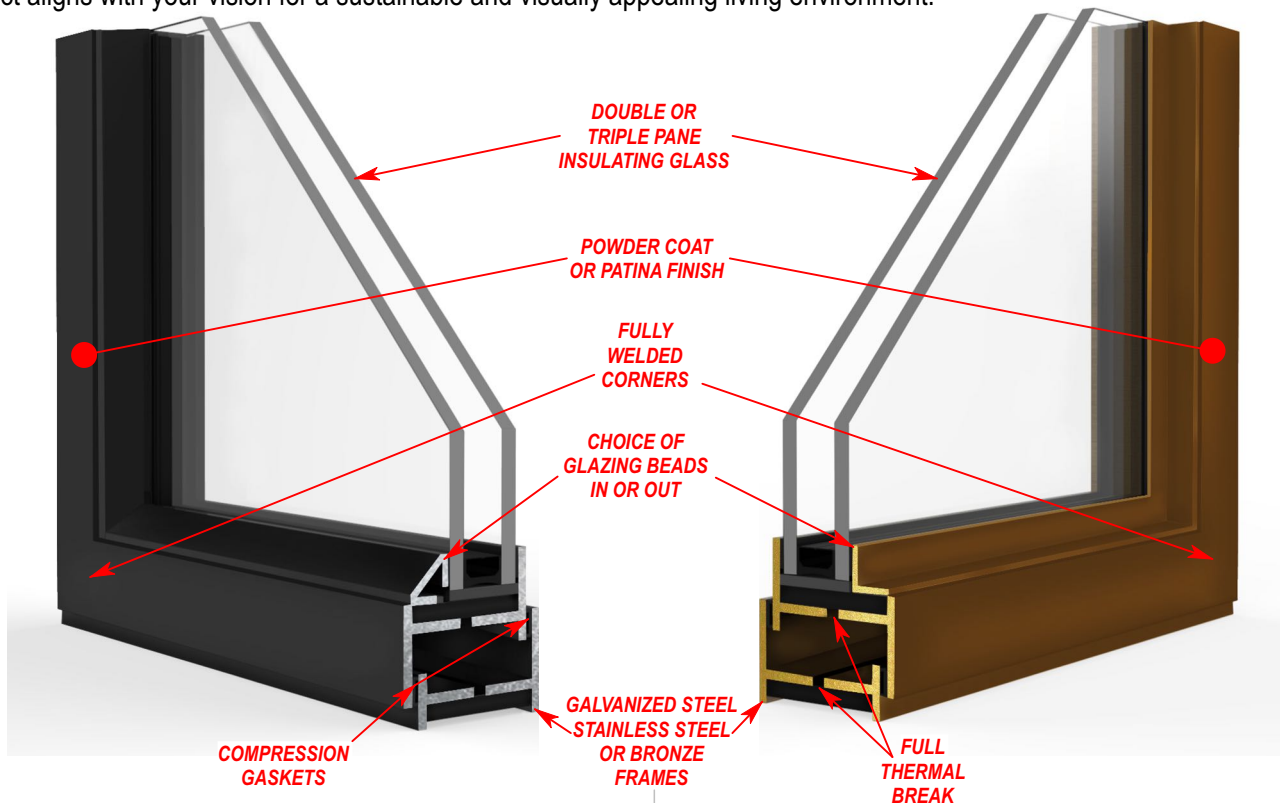
Don't see exactly what you need?
 Consult with Fenestar for full range of
 options and custom possibilities.
www.fenestarusa.com
 (862) 343-9299

Overview

Fenestar Thermal+ Windows and Doors redefine energy efficiency with their extra-deep thermally broken frames and sash, paired with high-performance double or triple-pane insulating glass. This combination not only promotes peak energy efficiency but also aligns seamlessly with green rating systems and sustainable building practices, including Passive House and Net Zero, ensuring ultimate comfort in environmentally conscious spaces.

Crafted for a sustainable lifestyle, these windows and doors boast long-lasting steel, stainless steel, or bronze frames with slender profiles that invite ample natural light into living and working spaces. The elegant and beautiful design is a testament to Fenestar's commitment to both sustainability and aesthetics.

Aesthetic choices abound with Fenestar Thermal+ Windows and Doors. Opt for the strength and beauty of fully welded steel frames, customizable in any color, or embrace the handsome permanence of real bronze patinated frames. The array of options extends to decorative hardware stylings, glazing bead choices, muntin grid designs, and operable functions, ensuring that every aspect aligns with your vision for a sustainable and visually appealing living environment.



STANDARD FEATURES

- Narrow Profiles for Slender Sightlines
- True Thermally-Broken Frames & Sash
- Fully Welded Construction
- 1-1/2" Double or Triple Pane Low-E IGU
- Warm Edge Glass Spacers
- Thermally-Broken Mullions
- Concealed Multi-Point Locking
- Stainless Steel Hardware Components
- Thermally-Broken Thresholds
- AAMA 2604 Superdurable Powdercoat Finish
- Choose any RAL color

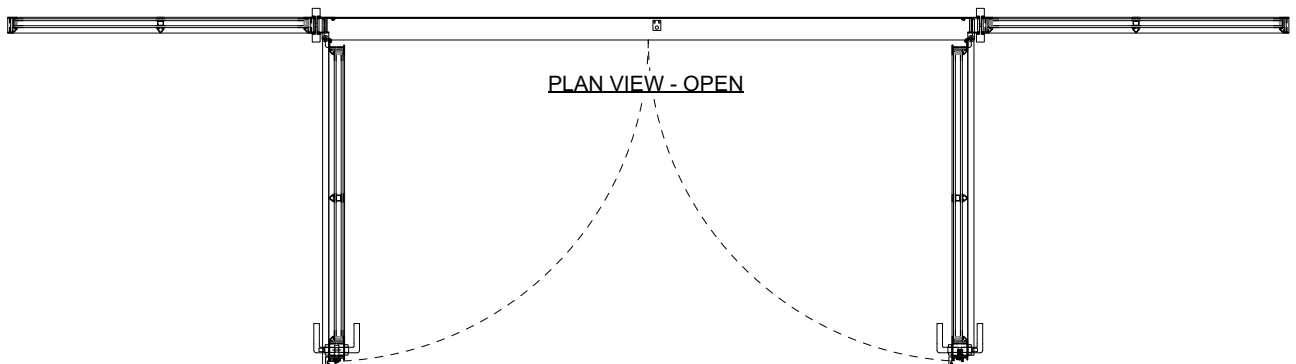
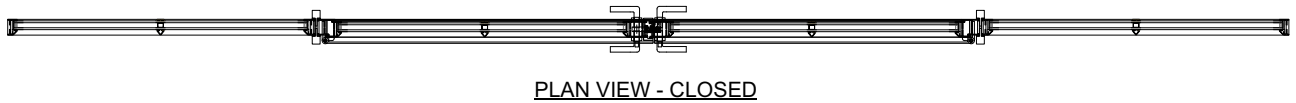
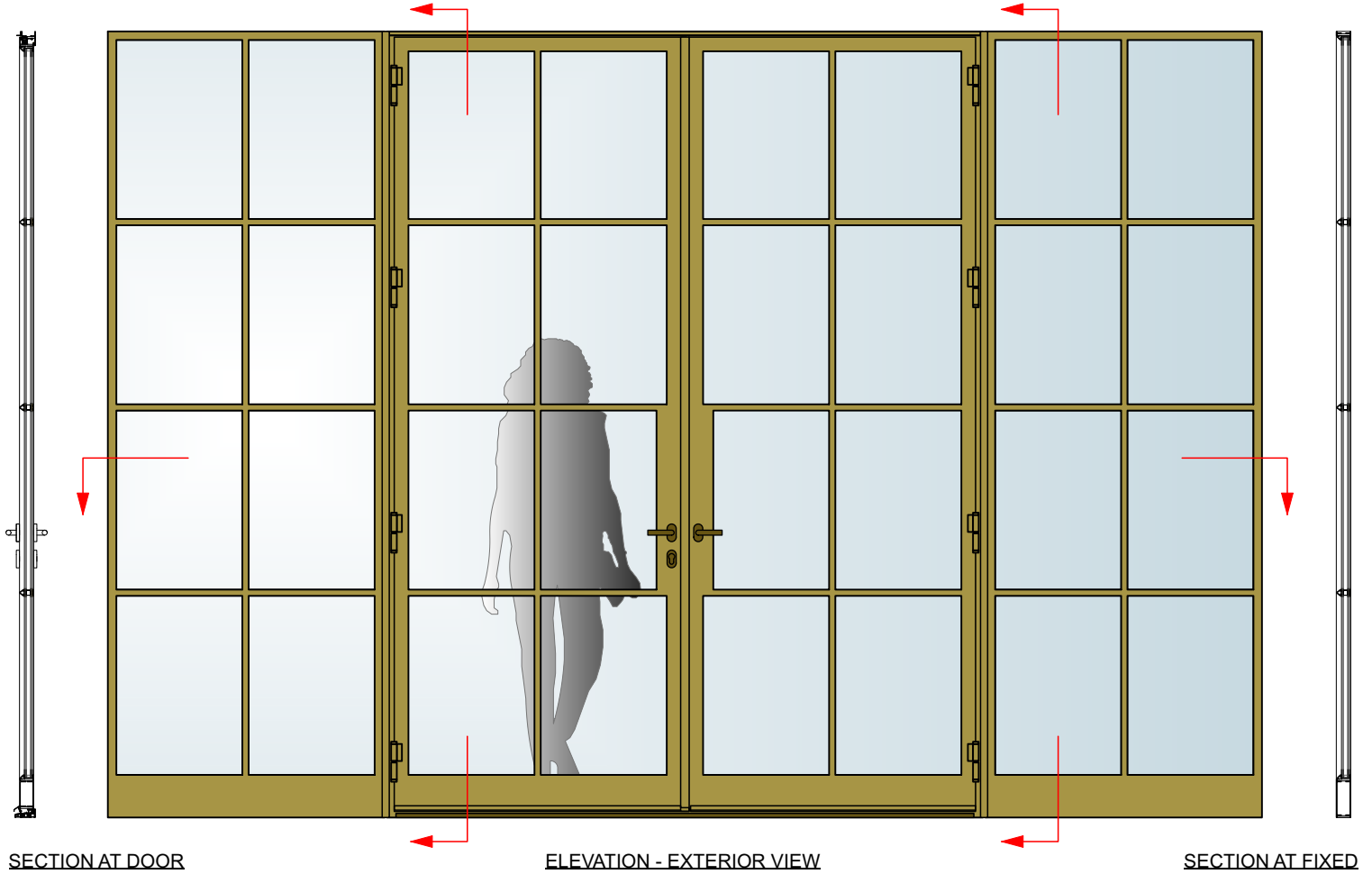
UNIQUE OPTIONS

- Classic or Modern Styling
- Steel, Stainless Steel, or Bronze Frames
- In-Swing or Out-Swing Operation
- Inside or Outside Glazed
- Choice of Glazing Bead Profiles
- Custom Glass Specification
- SDL or TDL Muntin Grids
- Full Range of Decorative Lever Handles
- Split finishes, Custom color matching
- AAMA 2605 (Kynar) finish
- Shaped, Arched, Curved Units



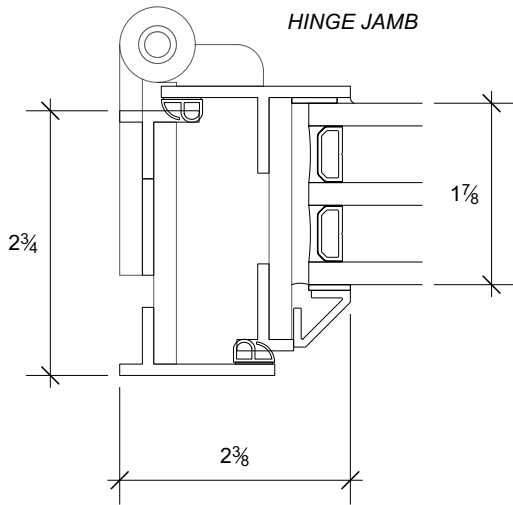
Don't see exactly what you need?
 Consult with Fenestar for full range of
 options and custom possibilities.
www.fenestarusa.com
 (862) 343-9299

Example Elevation

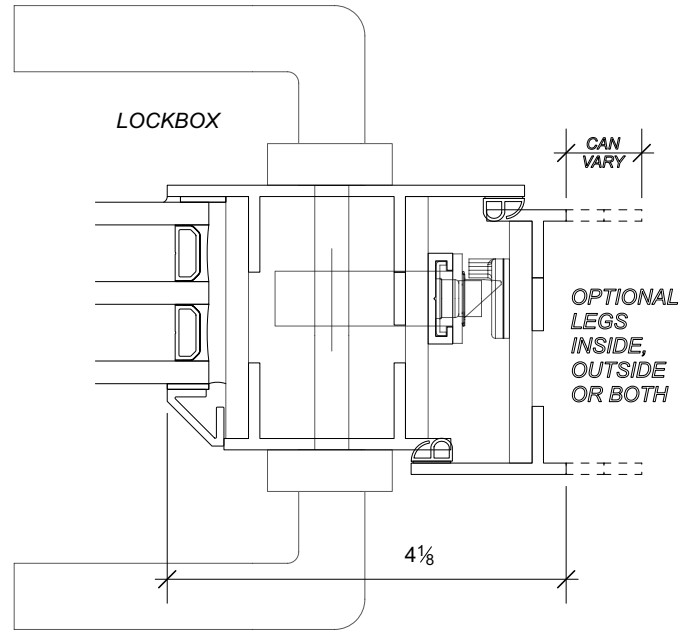


Don't see exactly what you need?
 Consult with Fenestar for full range of
 options and custom possibilities.
www.fenestarusa.com
 (862) 343-9299

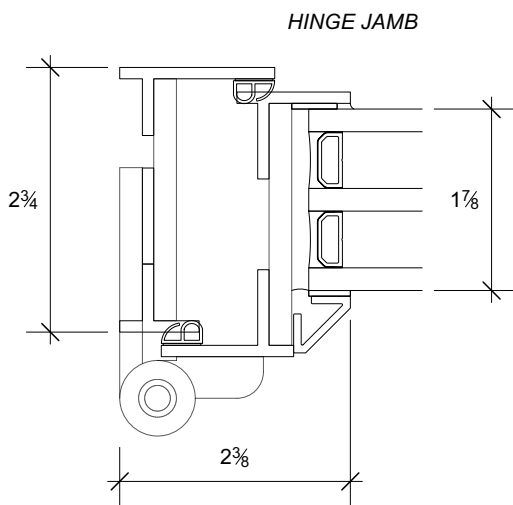
Horizontal Section Details



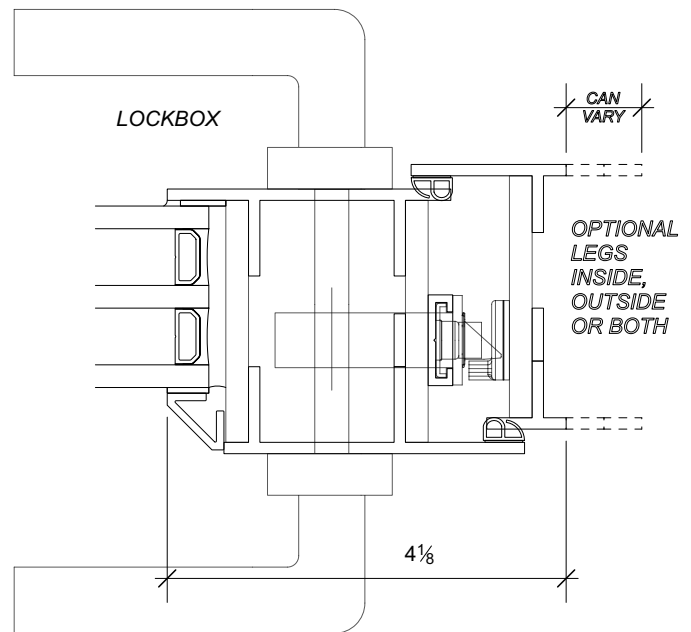
FS-70 2000 IN-SWING WINDOW
FS-70 4000 IN-SWING DOOR



FS-70 4000 IN-SWING DOOR



FS-70 3000 OUT-SWING WINDOW
FS-70 5000 OUT-SWING DOOR

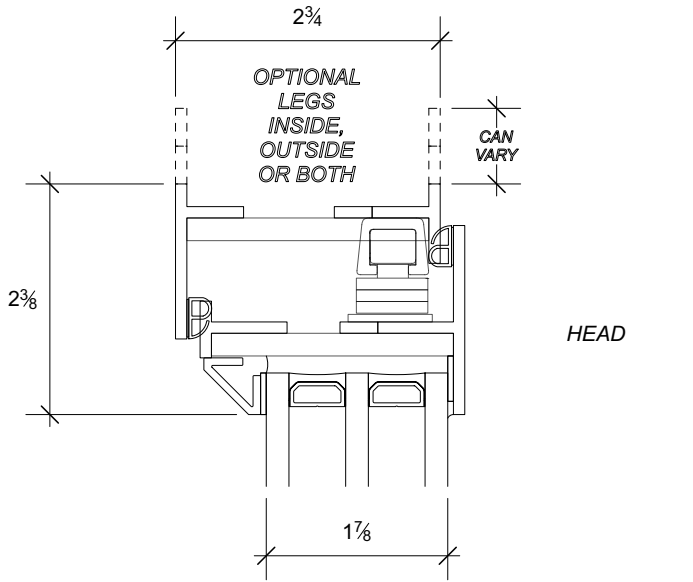


FS-70 5000 OUT-SWING DOOR

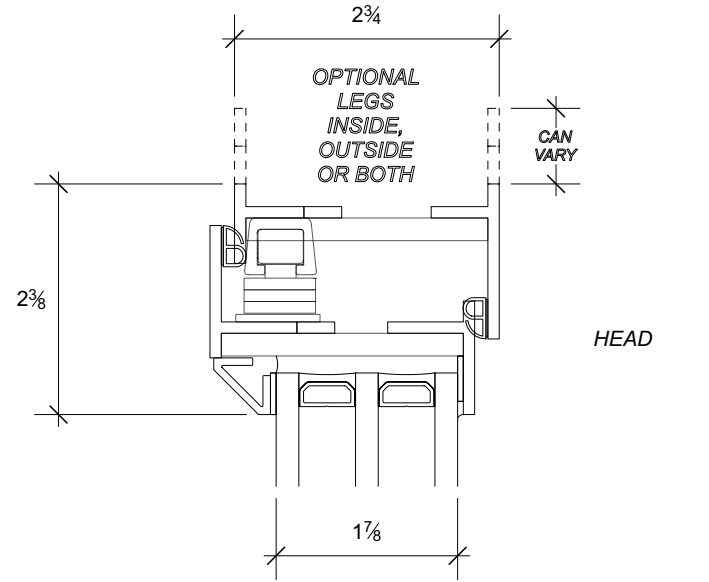
Don't see exactly what you need?
 Consult with Fenestar for full range of
 options and custom possibilities.
www.fenestarusa.com
 (862) 343-9299

Vertical Section Details

FS-70 2000 IN-SWING WINDOW
FS-70 4000 IN-SWING DOOR



FS-70 3000 OUT-SWING WINDOW
FS-70 5000 OUT-SWING DOOR



FS-70 4000 IN-SWING DOOR

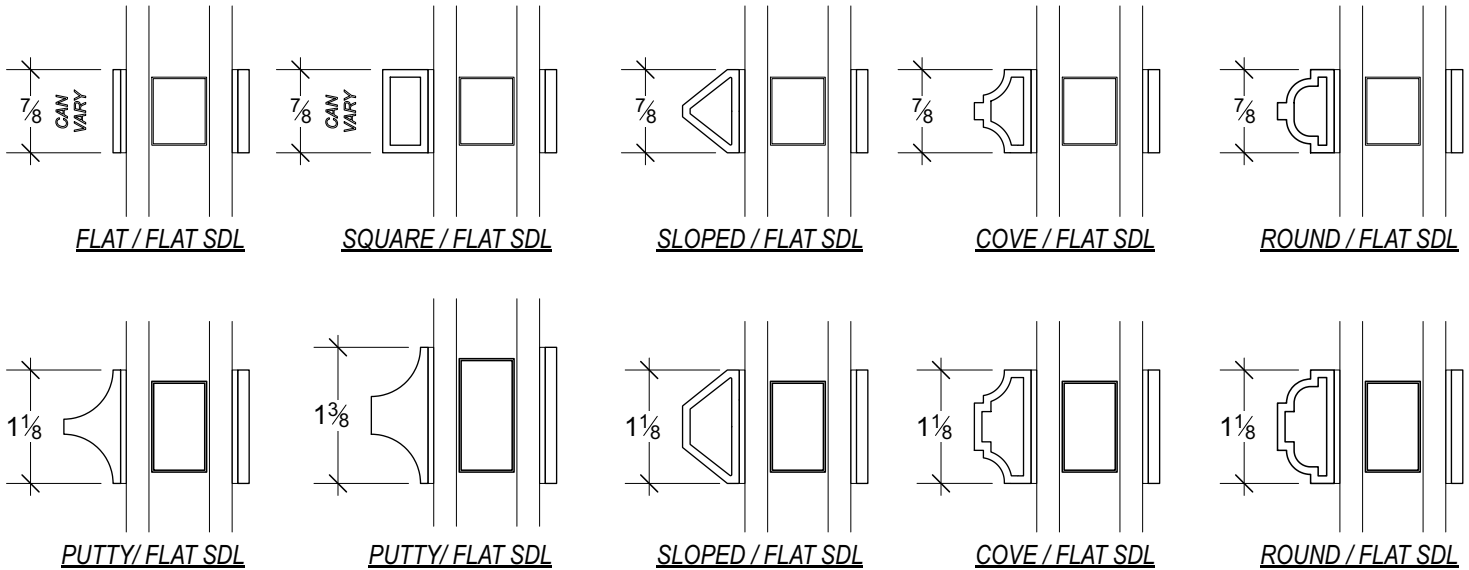
FS-70 5000 OUT-SWING DOOR



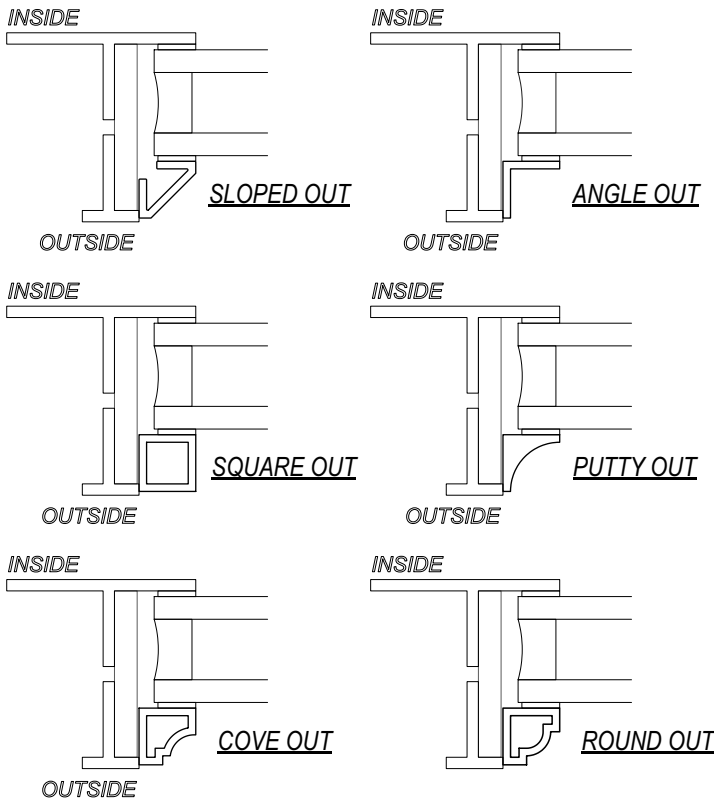
Don't see exactly what you need?
 Consult with Fenestar for full range of
 options and custom possibilities.
www.fenestarusa.com
 (862) 343-9299

Muntins & Glazing Beads

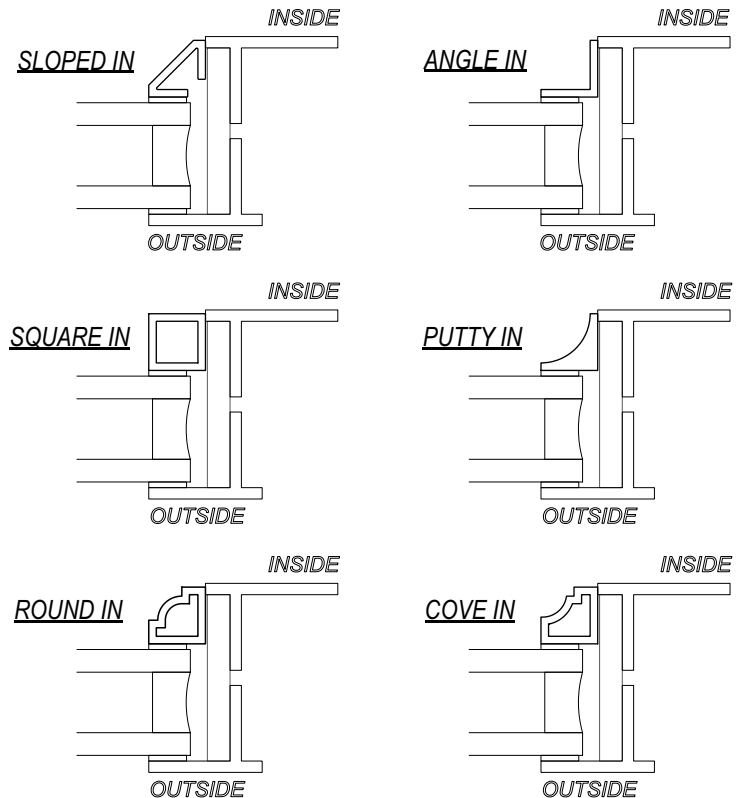
MUNTIN GRIDS - STANDARD OPTIONS



OUTSIDE GLAZED STANDARD BEAD PROFILES



INSIDE GLAZED STANDARD BEAD PROFILES



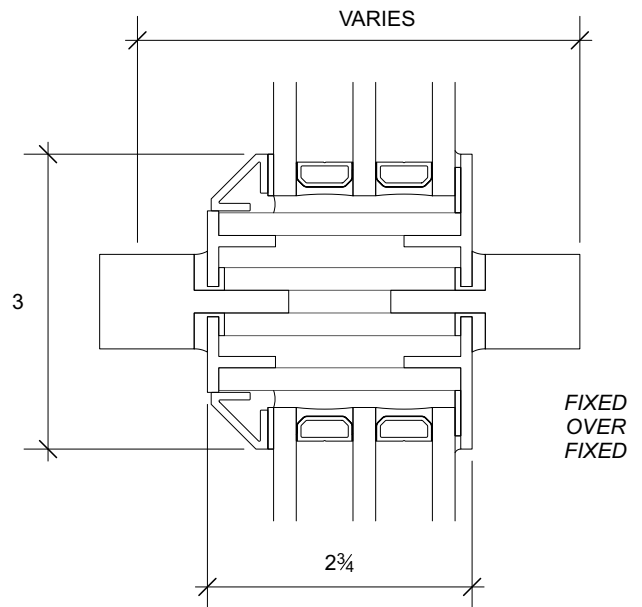
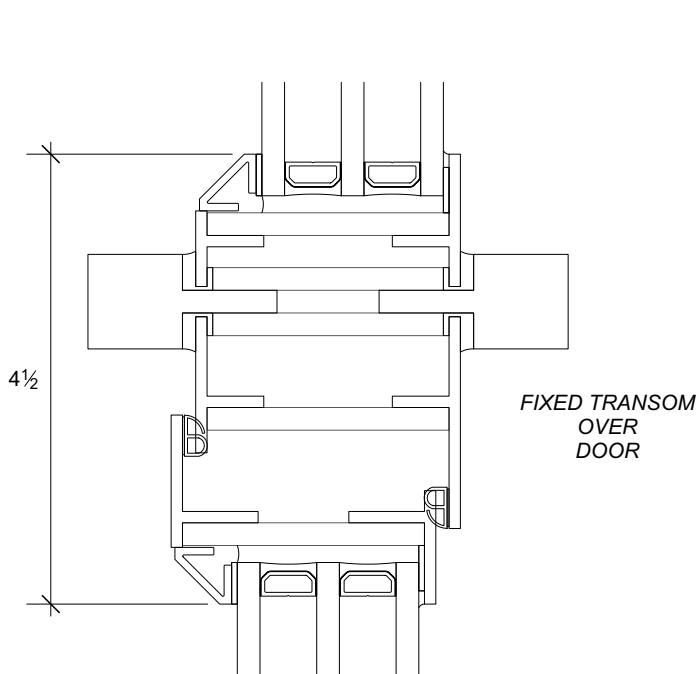
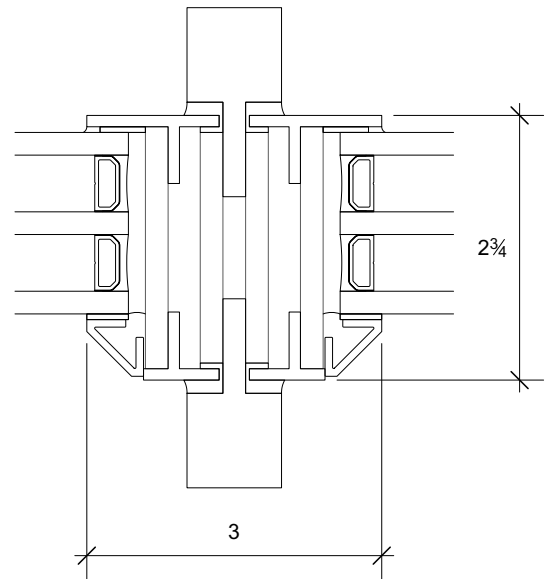
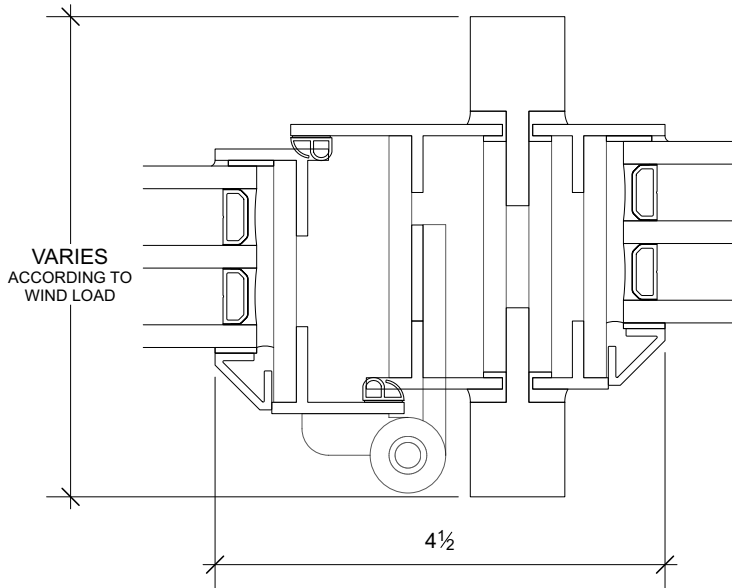
Mullions

with FULL THERMAL BREAK

Don't see exactly what you need?
 Consult with Fenestar for full range of
 options and custom possibilities.
www.fenestarus.com
 (862) 343-9299

DOOR TO FIXED SIDELITE

FIXED TO FIXED



Thermal Steel & Bronze Windows & Doors

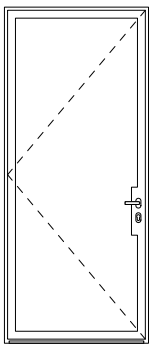
Don't see exactly what you need?
 Consult with Fenestar for full range of
 options and custom possibilities.
www.fenestarus.com
 (862) 343-9299

Door Configurations

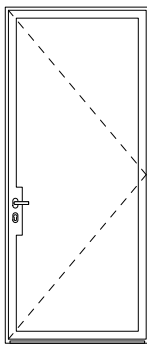
either IN-SWING or OUT-SWING available

all units CUSTOM SIZE, built to order

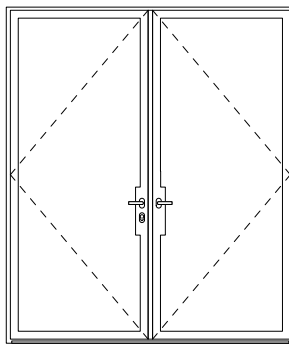
SHAPED, RADIUS and ARCHED configurations possible



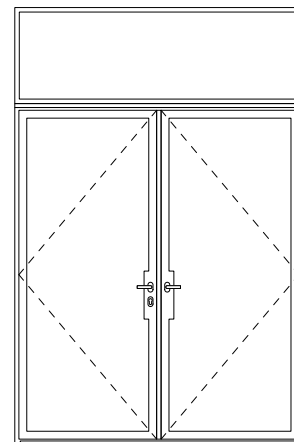
SINGLE
LEFT



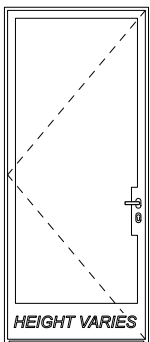
SINGLE
RIGHT



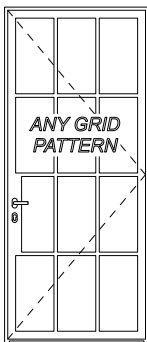
FRENCH
PAIR



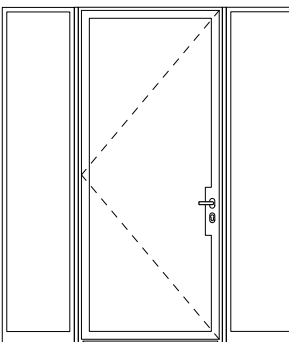
OPTIONAL
TRANSOM



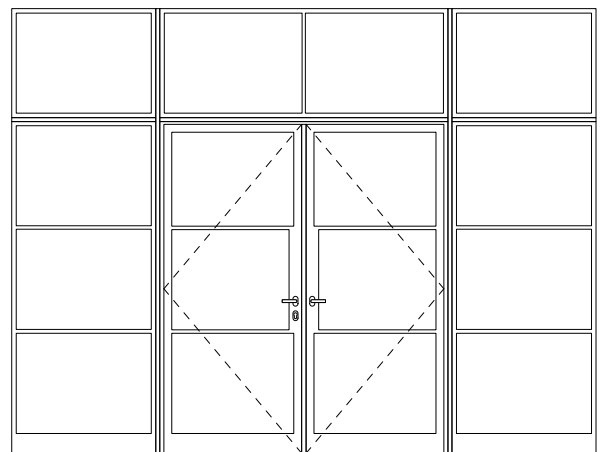
OPTIONAL
KICK



OPTIONAL
MUNTINS



OPTIONAL
SIDELITES



EXAMPLE WITH
MUNTINS, KICKS, TRANSOMS & SIDELITES

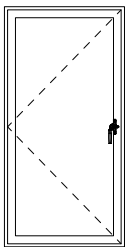
Don't see exactly what you need?
 Consult with Fenestar for full range of
 options and custom possibilities.
www.fenestarusa.com
 (862) 343-9299

Window Configurations

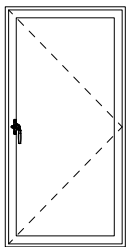
FIXED,
 IN-SWING or OUT-SWING CASEMENT,
 PROJECT-IN HOPPER or PROJECT-OUT AWNING

all units CUSTOM SIZE, built to order

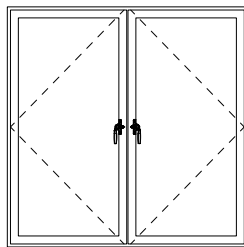
SHAPED, RADIUS and ARCHED configurations possible



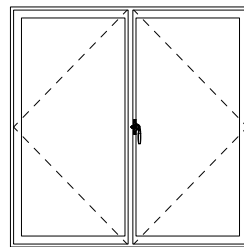
**SINGLE
 CASEMENT
 LEFT**



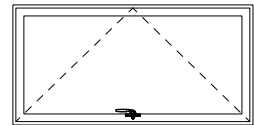
**SINGLE
 CASEMENT
 RIGHT**



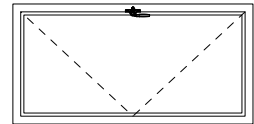
**DOUBLE
 CASEMENT**



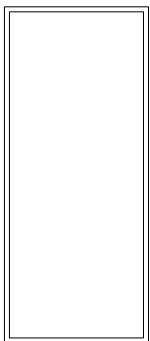
**CASEMENT
 FRENCH
 PAIR**



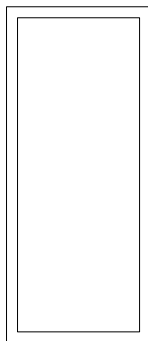
AWNING



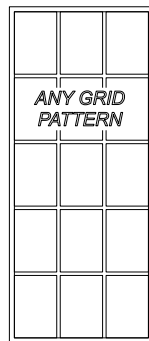
HOPPER



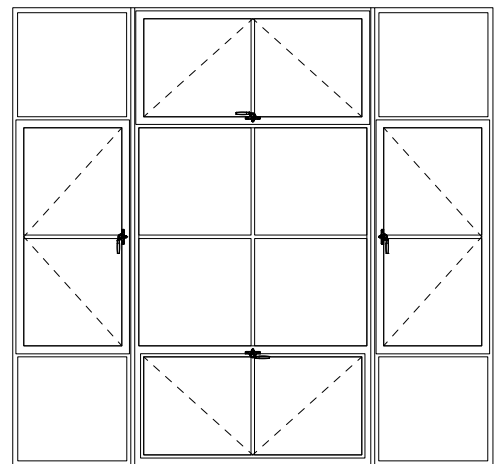
FIXED



**SIGHTLINE
 FIXED**
*(matches sightlines
 of operable vent)*



**OPTIONAL
 MUNTINS**



**EXAMPLE WITH
 FIXED, CASEMENTS, AWNING, HOPPER
 MULLIONS & MUNTINS**

Finishes

STEEL FRAMES



RAL COLORS

Fenestar Swing Doors are available with galvanized steel or stainless steel frames, factory finished with a Super Durable polyester powdercoat finish. Any RAL color can be selected.

This standard powder coat finish provides excellent exterior durability, excellent chemical resistance, is highly impact resistant and very flexible, it has excellent abrasion resistance, and meets and exceeds AAMA 2604 performance requirements.

Don't see exactly what you need? Consult with Fenestar for full range of options and custom possibilities.
www.fenestarusa.com
 (862) 343-9299

- AAMA 2604 performance standard
- Select any RAL color standard
- Custom color matching available
- Split finishes available
 (different colors inside and out)
- Metallic finishes available
- Textured finishes available
- AAMA 2605 (Kynar) available

Consult with Fenestar regarding custom paint finishes.

BRONZE FRAMES

Fenestar Swing Doors are available with real bronze frames, factory finished in beautiful hand grained Light or Dark patinas, and are shipped with a waxed coating to help protect the factory patina during shipping, handling and installation.

Bronze is a very low maintenance material and is extremely corrosion resistant. Bronze cannot rust – it only becomes more handsome with age.



LIGHT PATINA

DARK PATINA

Bronze is a material that can be left exposed to the elements and will simply darken and age, and become more and more beautiful, over time, because bronze naturally ages through surface oxidation, creating beautiful rustic tones of brown/bronze.

Consult with Fenestar regarding custom patina finishes.

HARDWARE



Fenestar Swing Door hardware is a complete system that includes decorative and stylish brass lever handles and escutcheons, profile cylinder locking, stainless steel hinges and mortise locks, and concealed multi-point latching, stay arms and flush bolts.

Refer to Fenestar's

DOOR HARDWARE SELECTION GUIDE

for the full range of Fenestar's available hardware styles and options.



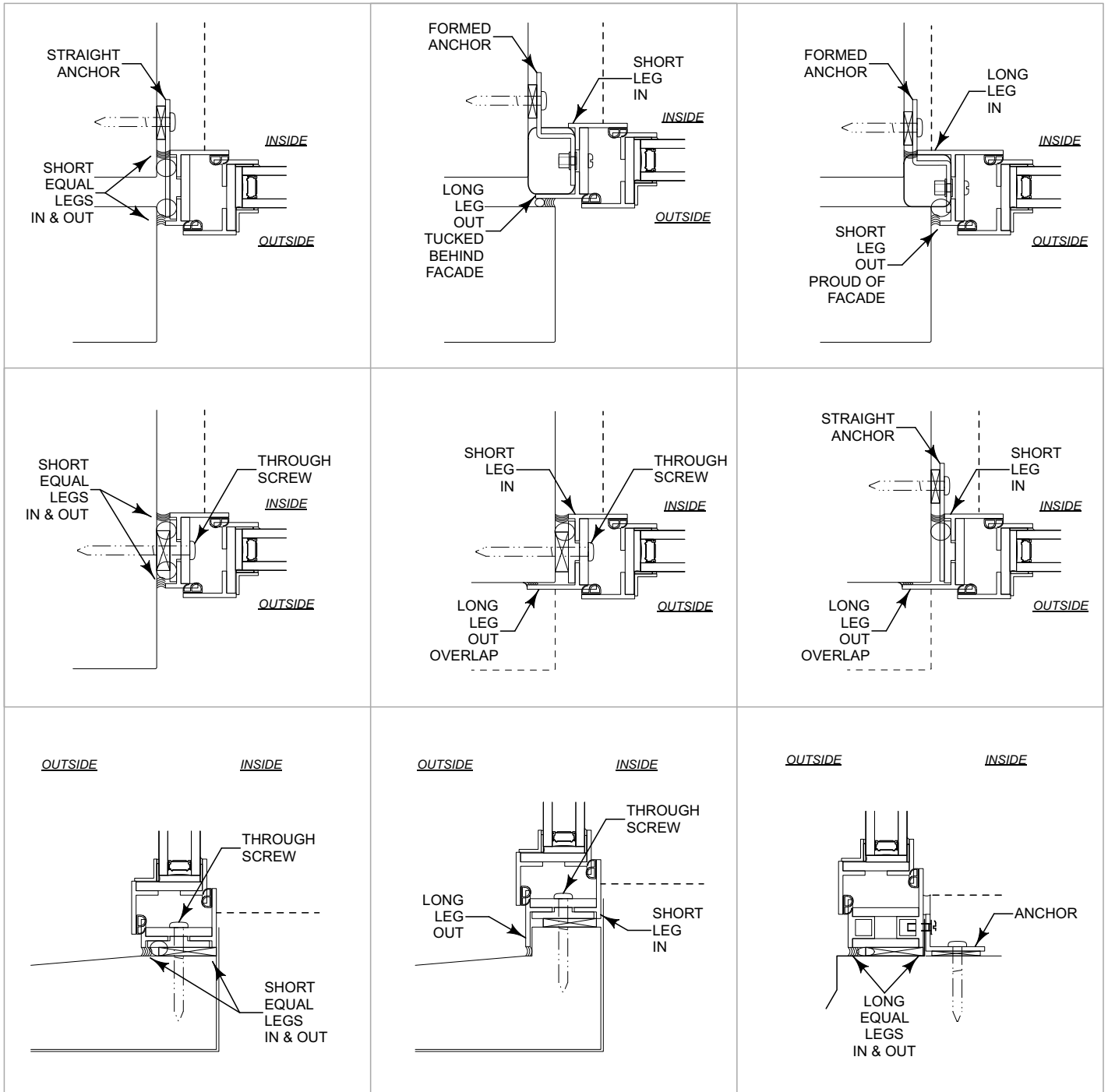
DARK BRONZE

SATIN CHROME

Consult with Fenestar regarding custom hardware finishes.

Installation Examples

Don't see exactly what you need?
 Consult with Fenestar for full range of
 options and custom possibilities.
www.fenestarusa.com
 (862) 343-9299





Thermal Steel & Bronze Windows & Doors

Fenestar USA LLC

110 Jabez St., Suite 309, Newark, NJ 07105
www.fenestarus.com - (862) 343-9299