



Windows



FENE  STAR

Thermal Steel & Bronze Windows & Doors

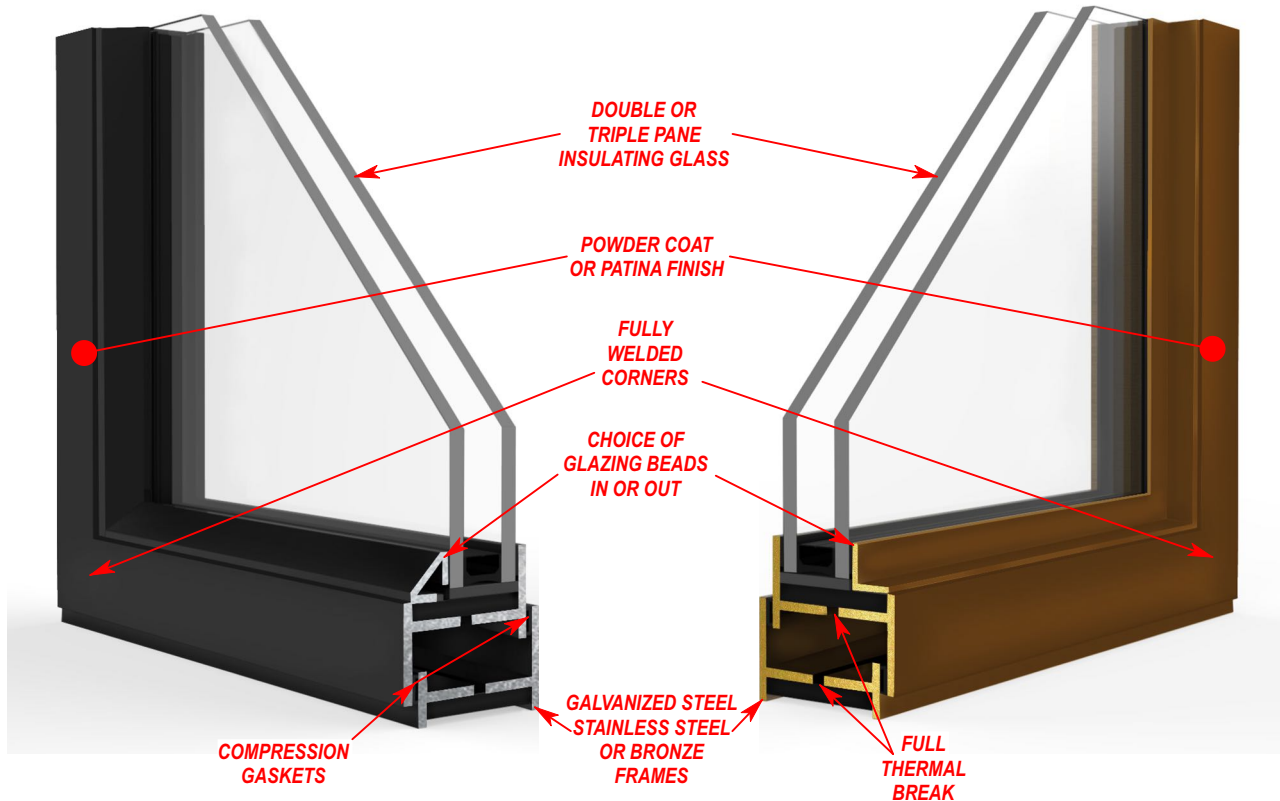
Overview

Don't see exactly what you need?
Consult with Fenestar for full range of
options and custom possibilities.
www.fenestarusa.com
(862) 343-9299

Fenestar Thermally Broken Steel and Bronze Windows redefine elegance and functionality with slender sightlines that maximize glass area and offer expansive views. Operating seamlessly on stainless steel hinges, these windows integrate concealed multiple locking point hardware to ensure optimal sealing and security when closed.

The choice is yours between the strength and beauty of fully welded steel or stainless steel frames, customizable in any color, or the enduring appeal of real bronze patinated frames. Explore a wealth of options with decorative hardware stylings, glazing bead choices, and muntin grid designs to tailor these windows to your specific aesthetic preferences.

Importantly, Fenestar Windows prioritize performance without compromise. With fully thermally broken frames and sash seamlessly merged with high-performance insulating glass, they guarantee superior insulation. Double compression gaskets and seals contribute to an environment of pure comfort, showcasing Fenestar's commitment to both style and functionality.



STANDARD FEATURES

- Narrow Profiles for Slender Sightlines
- True Thermally-Broken Frames & Sash
- Fully Welded Construction
- 1-1/8" Double Pane Low-E IGU
- Warm Edge Glass Spacers
- Thermally-Broken Mullions
- Concealed Multi-Point Locking
- Stainless Steel Hardware Components
- AAMA 2604 Superdurable Powdercoat Finish
- Choose any RAL color

UNIQUE OPTIONS

- Classic or Modern Styling
- Steel, Stainless Steel, or Bronze Frames
- In-Swing or Out-Swing Operation
- Inside or Outside Glazed
- Choice of Glazing Bead Profiles
- Custom Glass Specification
- SDL or TDL Muntin Grids
- Full Range of Decorative Hardware
- Split finishes, Custom color matching
- AAMA 2605 (Kynar) finish
- Shaped, Arched, Curved Units

Don't see exactly what you need?
 Consult with Fenestar for full range of
 options and custom possibilities.
www.fenestarus.com
 (862) 343-9299

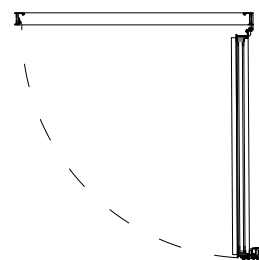
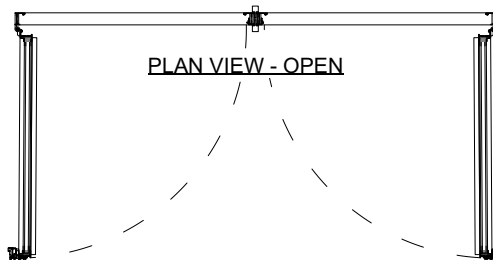
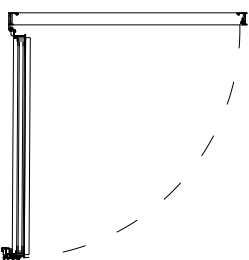
Example Elevation



ELEVATION - INTERIOR VIEW



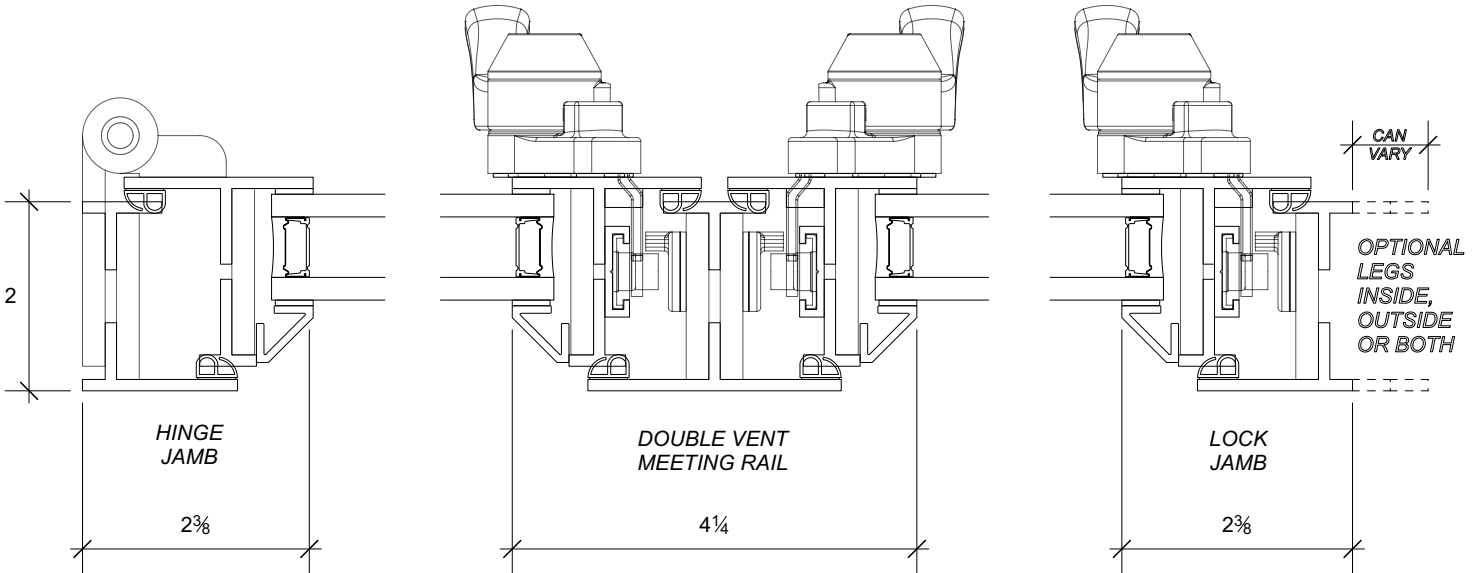
PLAN VIEW - CLOSED



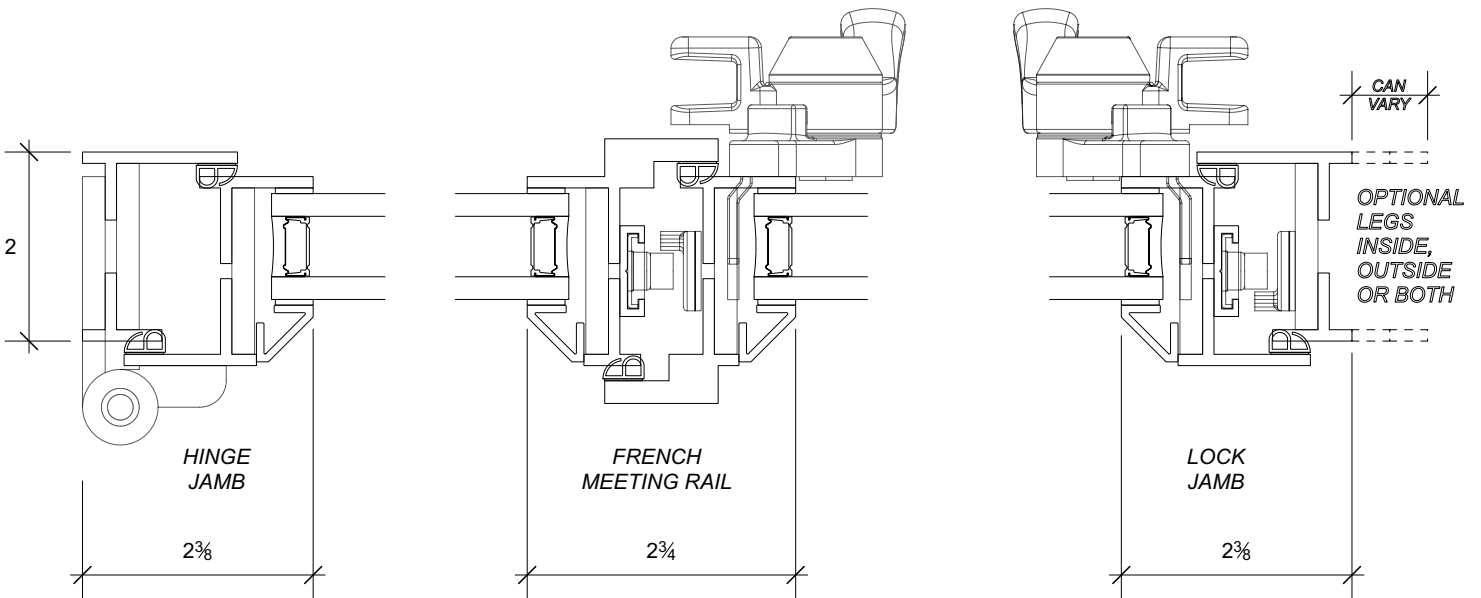
PLAN VIEW - OPEN

Don't see exactly what you need?
 Consult with Fenestar for full range of
 options and custom possibilities.
www.fenestarus.com
 (862) 343-9299

Horizontal Section Details



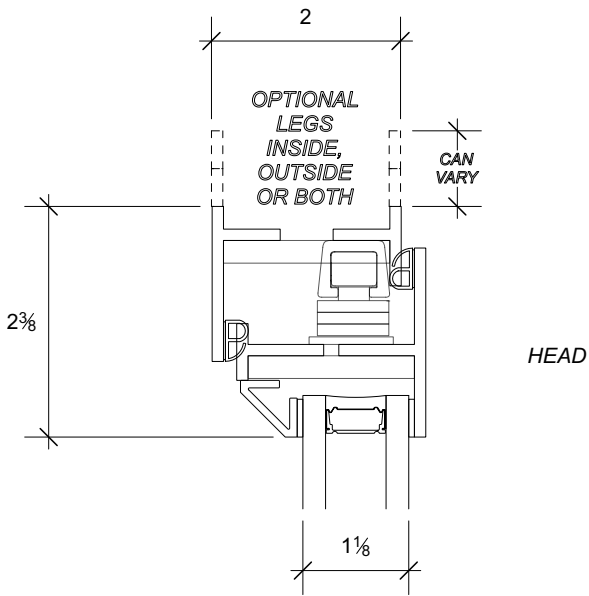
FS-50 4000 IN-SWING CASEMENT



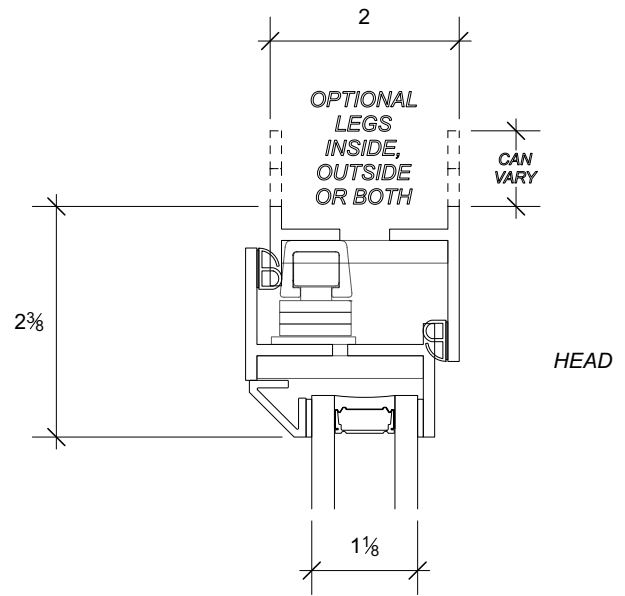
FS-50 5000 OUT-SWING CASEMENT

Don't see exactly what you need?
 Consult with Fenestar for full range of
 options and custom possibilities.
www.fenestarusa.com
 (862) 343-9299

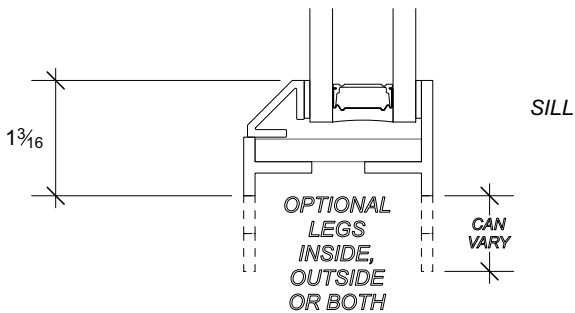
Vertical Section Details



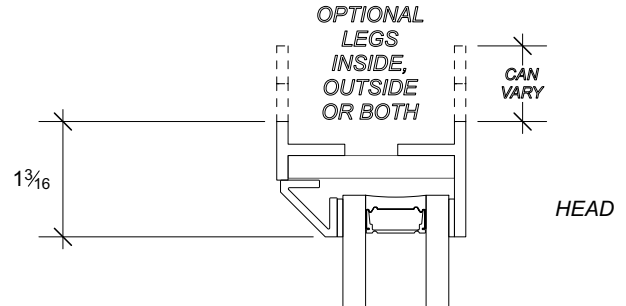
FS-50 4000 IN-SWING CASEMENT



FS-50 5000 OUT-SWING CASEMENT



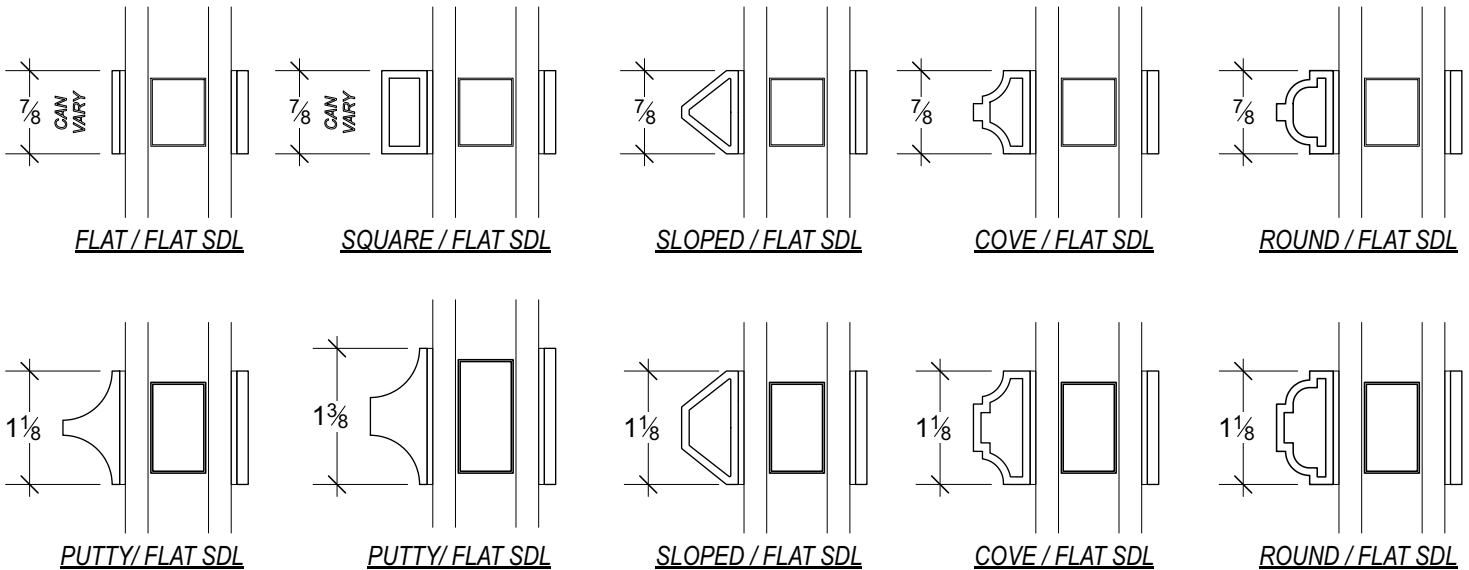
FS-50 1000 FIXED



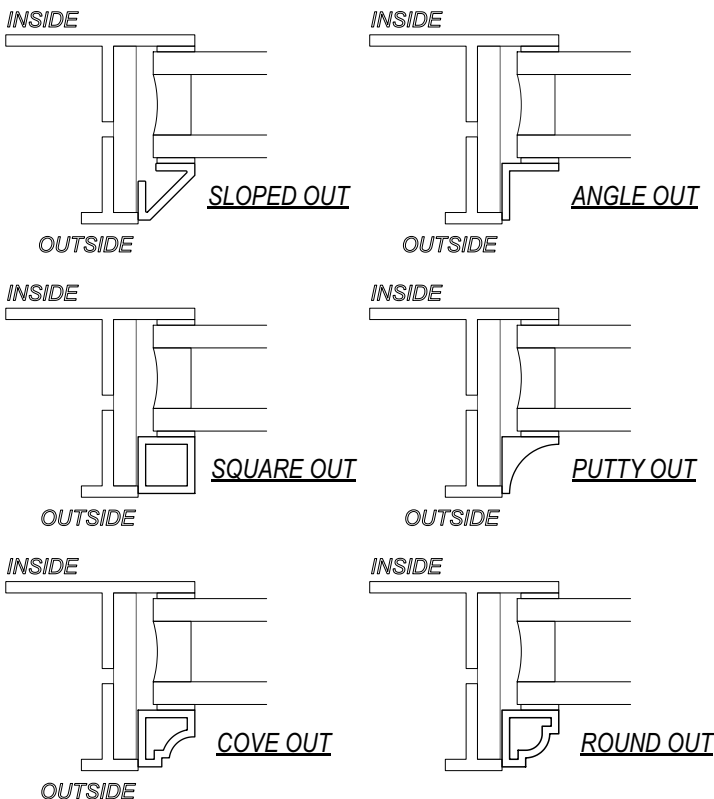
Don't see exactly what you need?
 Consult with Fenestar for full range of
 options and custom possibilities.
www.fenestarus.com
 (862) 343-9299

Muntins & Glazing Beads

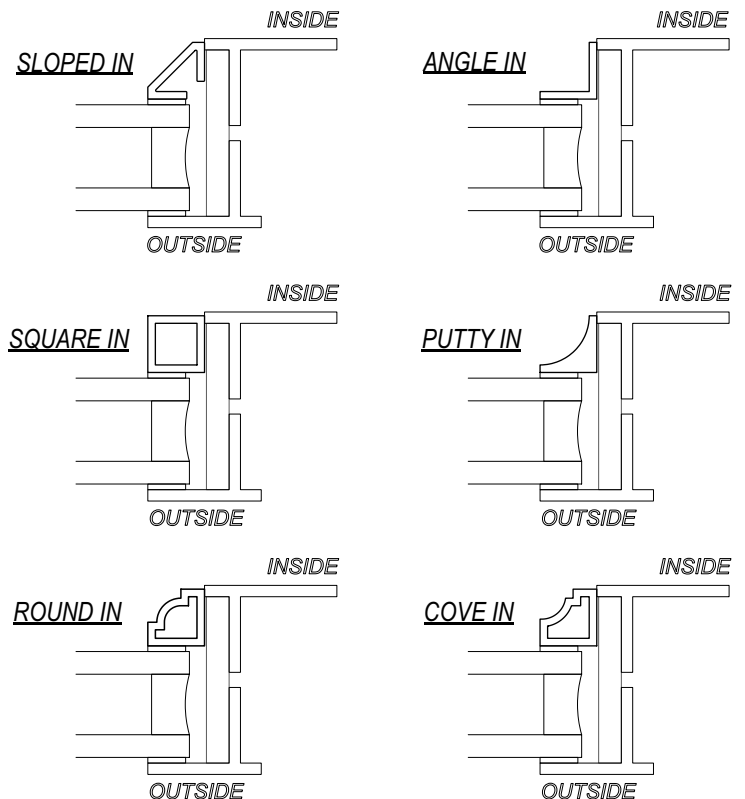
MUNTIN GRIDS - STANDARD OPTIONS



OUTSIDE GLAZED STANDARD BEAD PROFILES



INSIDE GLAZED STANDARD BEAD PROFILES



Thermal Steel & Bronze Windows & Doors

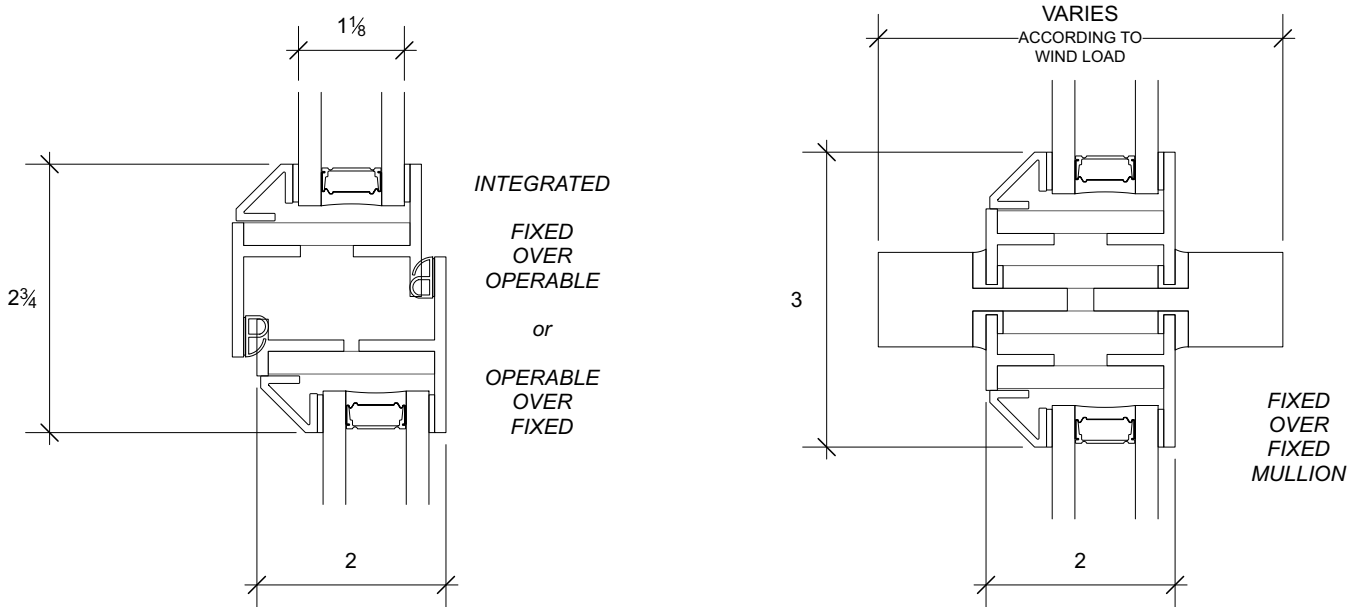
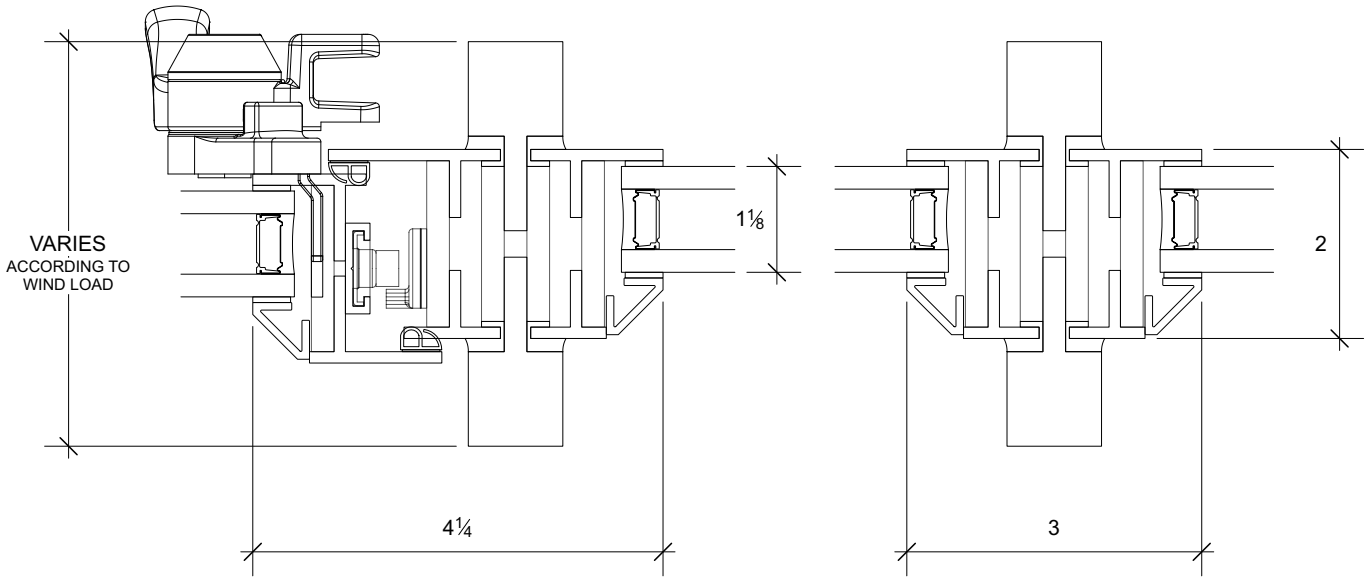
Don't see exactly what you need?
 Consult with Fenestar for full range of
 options and custom possibilities.
www.fenestarus.com
 (862) 343-9299

Mullions

with FULL THERMAL BREAK

OPERABLE TO FIXED

FIXED TO FIXED



Thermal Steel & Bronze Windows & Doors

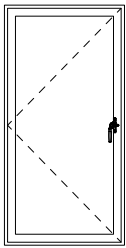
Configurations

Don't see exactly what you need?
 Consult with Fenestar for full range of
 options and custom possibilities.
www.fenestarus.com
 (862) 343-9299

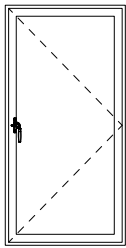
FIXED,
 IN-SWING or OUT-SWING CASEMENT,
 PROJECT-IN HOPPER or PROJECT-OUT AWNING

all units CUSTOM SIZE, built to order

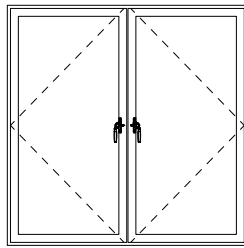
SHAPED, RADIUS and ARCHED configurations possible



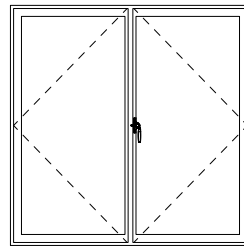
**SINGLE
 CASEMENT
 LEFT**



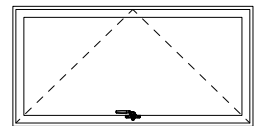
**SINGLE
 CASEMENT
 RIGHT**



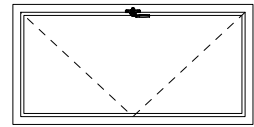
**DOUBLE
 CASEMENT**



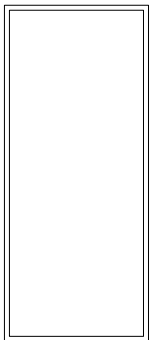
**CASEMENT
 FRENCH
 PAIR**



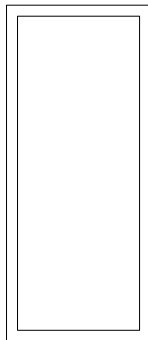
AWNING



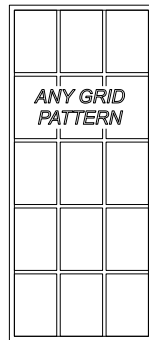
HOPPER



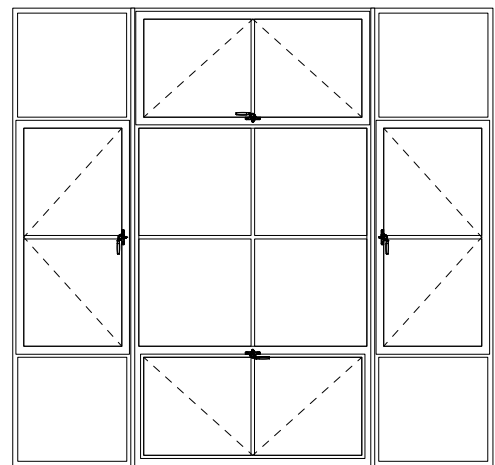
FIXED



**SIGHTLINE
 FIXED**
*(matches sightlines
 of operable vent)*



**OPTIONAL
 MUNTINS**



**EXAMPLE WITH
 FIXED, CASEMENTS, AWNING, HOPPER
 MULLIONS & MUNTINS**

Don't see exactly what you need?
 Consult with Fenestar for full range of
 options and custom possibilities.
www.fenestarusa.com
 (862) 343-9299

Finishes

STEEL FRAMES



RAL COLORS

Fenestar Windows are available with galvanized steel or stainless steel frames, factory finished with a Super Durable polyester powdercoat finish. Any RAL color can be selected.

This standard powder coat finish provides excellent exterior durability, excellent chemical resistance, is highly impact resistant and very flexible, it has excellent abrasion resistance, and meets and exceeds AAMA 2604 performance requirements.

- AAMA 2604 performance standard
- Select any RAL color standard
- Custom color matching available
- Split finishes available
 (different colors inside and out)
- Metallic finishes available
- Textured finishes available
- AAMA 2605 (Kynar) available

Consult with Fenestar regarding custom paint finishes.

BRONZE FRAMES

Fenestar Windows are available with real bronze frames, factory finished in beautiful hand grained Light or Dark patinas, and are shipped with a waxed coating to help protect the factory patina during shipping, handling and installation.

Bronze is a very low maintenance material and is extremely corrosion resistant. Bronze cannot rust – it only becomes more handsome with age.



LIGHT PATINA



DARK PATINA

Bronze is a material that can be left exposed to the elements and will simply darken and age, and become more and more beautiful, over time, because bronze naturally ages through surface oxidation, creating beautiful rustic tones of brown/bronze.

Consult with Fenestar regarding custom patina finishes.

HARDWARE



Fenestar Casement and Projecting Window hardware is a complete system that includes decorative and stylish brass handles, fasteners, cam locks and operators, stainless steel hinges, concealed multi-point latching, stay arms and flush bolts.

Refer to Fenestar's

WINDOW HARDWARE SELECTION GUIDE

for the full range of Fenestar's available hardware styles and options.



DARK BRONZE



SATIN CHROME

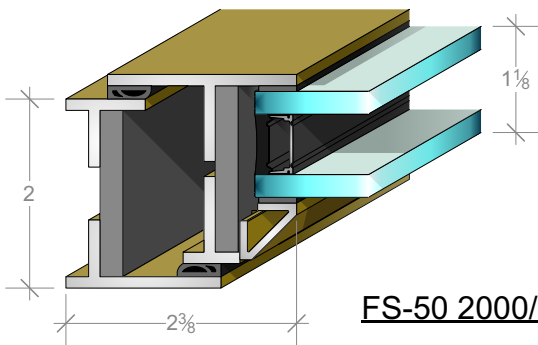
Consult with Fenestar regarding custom hardware finishes.

Don't see exactly what you need?
 Consult with Fenestar for full range of
 options and custom possibilities.
www.fenestarus.com
 (862) 343-9299

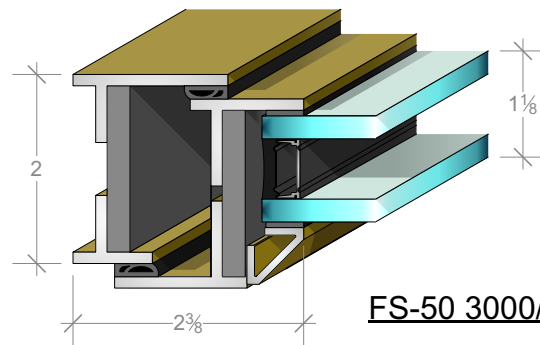
Specifications

Standard Products

TYPE	FUNCTION	FRAME MATERIAL	FRAME FINISH	GLASS	MAX LEAF WIDTH	MAX LEAF HEIGHT	AIR	WATER	WIND LOAD	U-VALUE	SHGC	OITC
FS-50 1000	Fixed	Steel, Stainless or Bronze	Powdercoat or Patina	1-1/8" double IGU	depends on glass	depends on glass	0.01 cfm/ft2	15 psf	70 psf	≤ 0.28	≤ 0.25	28 to 45
FS-50 2000	In-Swing Single Casement	Steel, Stainless or Bronze	Powdercoat or Patina	1-1/8" double IGU	42 in	96 in	0.06 cfm/ft2	10.5 psf	60 psf	≤ 0.32	≤ 0.25	28 to 45
FS-50 2200	In-Swing French Casement	Steel, Stainless or Bronze	Powdercoat or Patina	1-1/8" double IGU	36 in	84 in	0.06 cfm/ft2	10.5 psf	60 psf	≤ 0.32	≤ 0.25	28 to 45
FS-50 2500	Project-In Hopper	Steel, Stainless or Bronze	Powdercoat or Patina	1-1/8" double IGU	72 in	48 in	0.06 cfm/ft2	10.5 psf	60 psf	≤ 0.32	≤ 0.25	28 to 45
FS-50 3000	Out-Swing Single Casement	Steel, Stainless or Bronze	Powdercoat or Patina	1-1/8" double IGU	42 in	96 in	0.06 cfm/ft2	12 psf	60 psf	≤ 0.32	≤ 0.25	28 to 45
FS-50 3200	Out-Swing French Casement	Steel, Stainless or Bronze	Powdercoat or Patina	1-1/8" double IGU	36 in	84 in	0.06 cfm/ft2	12 psf	60 psf	≤ 0.32	≤ 0.25	28 to 45
FS-50 3500	Project-Out Awning	Steel, Stainless or Bronze	Powdercoat or Patina	1-1/8" double IGU	72 in	48 in	0.06 cfm/ft2	12 psf	60 psf	≤ 0.32	≤ 0.25	28 to 45



FS-50 2000/2500



FS-50 3000/3500

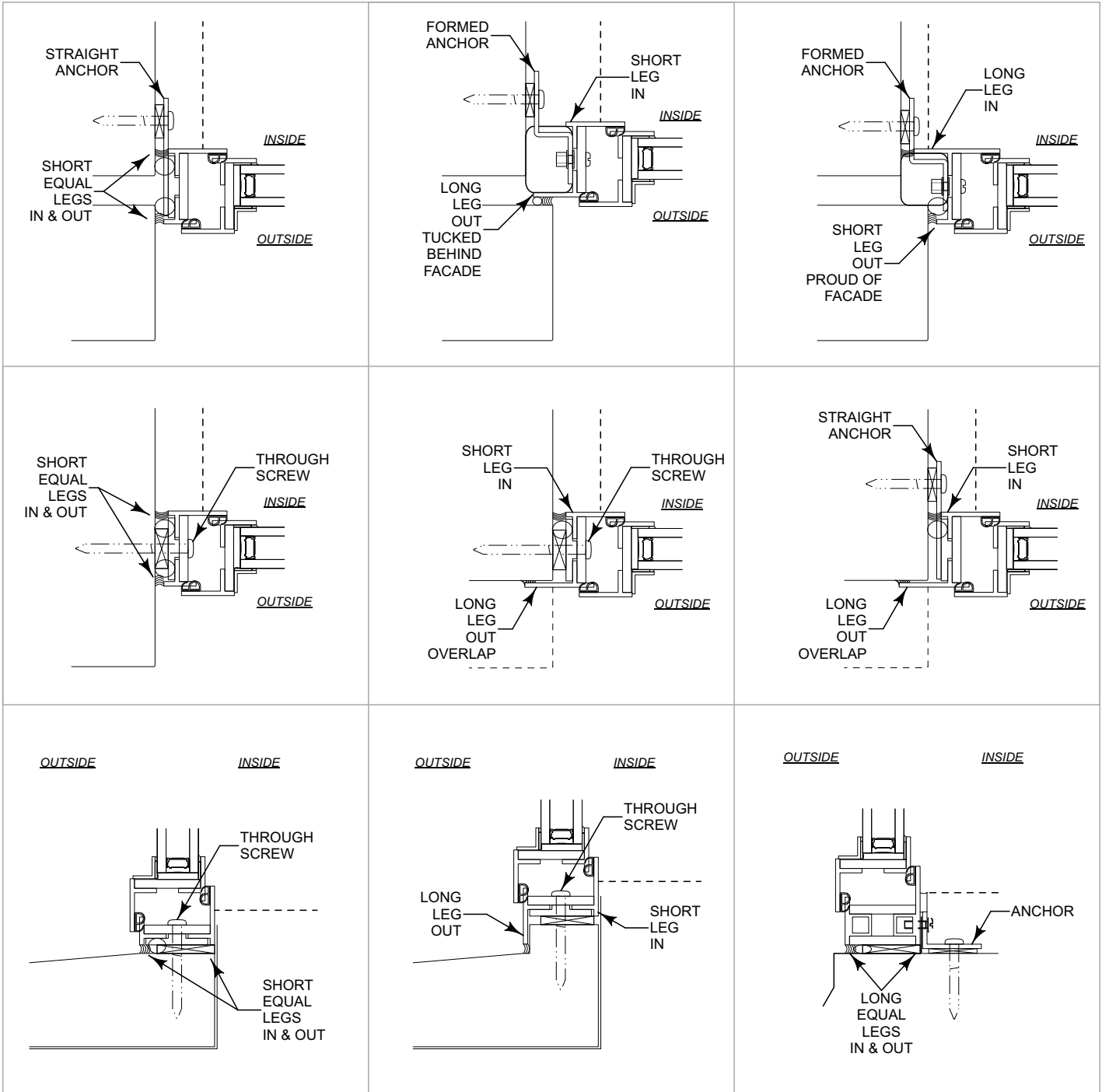
Materials: Fully welded galvanized carbon steel, stainless steel or bronze profiles with true thermal break. Inside and outside materials can be different. Solid fine hardwood interior cladding is also available.

Finish: Electro-bond galvanizing, zinc enriched primer, and AAMA 2604 (Super Durable) powder coat in any RAL color is standard. Metallic or textured powder coat finishes are available. Split finishing (inside color different from outside color) is available. AAMA 2605 (Kynar) finish is available.

Glazing: High Performance double pane IGU, with ExtraClear float glass, SuperNeutral low-E coating and black warm edge spacer, all standard. Full range of other glass specifications and options are available.

Installation Examples

Don't see exactly what you need?
 Consult with Fenestar for full range of
 options and custom possibilities.
www.fenestarusa.com
 (862) 343-9299





Thermal Steel & Bronze Windows & Doors

Fenestar USA LLC

110 Jabez St., Suite 309, Newark, NJ 07105
www.fenestarus.com - (862) 343-9299