

BRAND: FESTIWILD

STYLE #: 01

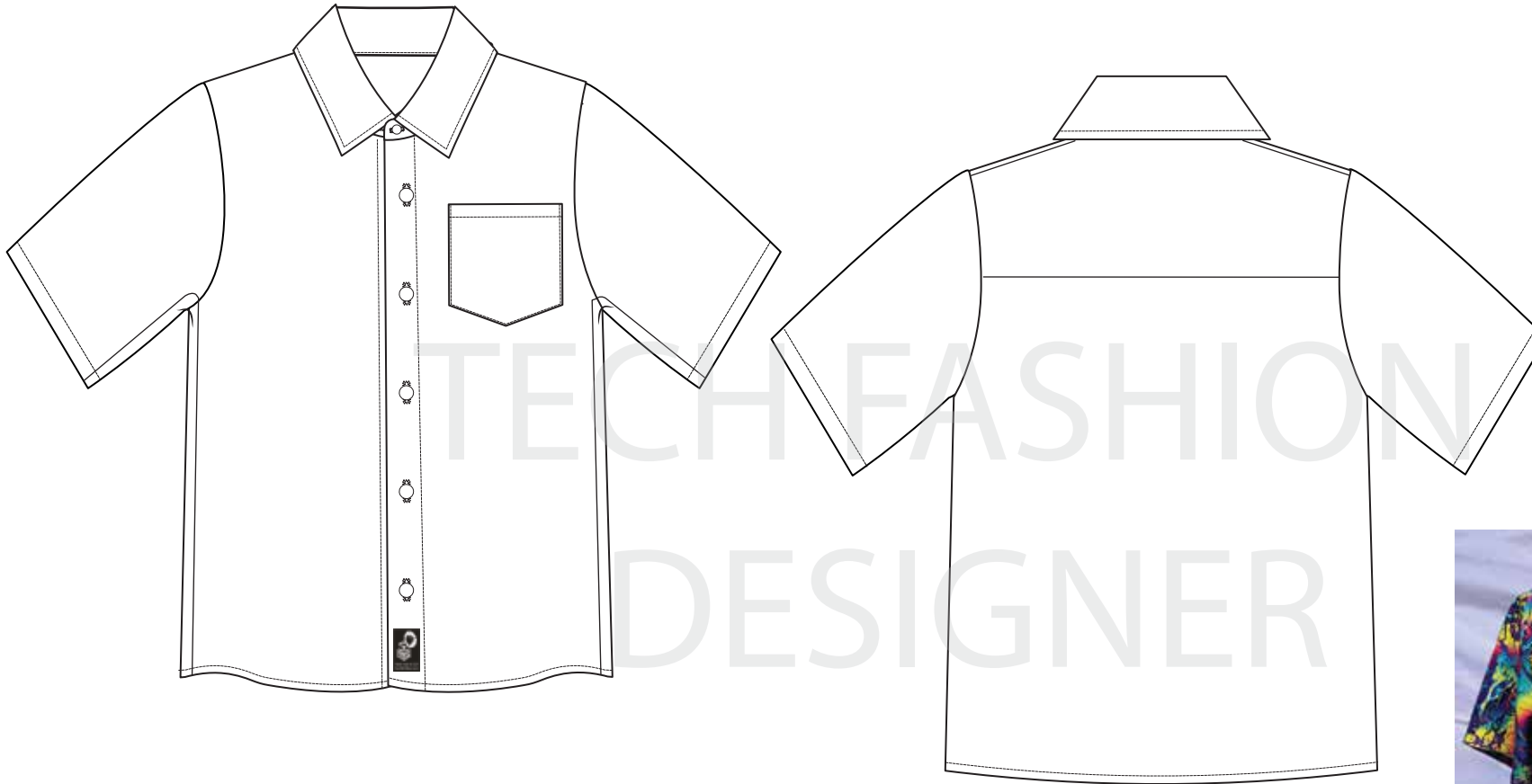
ISSUE DATE: 4/20/2X

STYLE DESCRIPTION : MEN'S KNIT BUTTON UP SHIRT

VENDOR: WWW.TECHFASHIONDESIGNER.COM

REFERENCE : (CLIENTS SHIRT SAMPLE)

SKETCH





BRAND: FESTIWILD

STYLE #: 01

ISSUE DATE: 4/20/2X

STYLE DESCRIPTION : MEN'S KNIT BUTTON UP SHIRT

VENDOR: WWW.TECHFASHIONDESIGNER.COM

REFERENCE : (CLIENTS SHIRT SAMPLE)

### CONSTRUCTION CALL-OUT

COLLAR-  
1/4" S/N TOP STITCH

FRONT PLACKET IS 1"  
S/N TOP STITCH  
FINISHED WITH  
CLEAN FINISH TURN BACK

ALL INSIDE SEAMS SHOULD BE  
1/4" 4 THREAD OVERLOCK  
SPI:



SLEEVE HEM-  
1/2" TURN BACK  
CLEAN FINISH

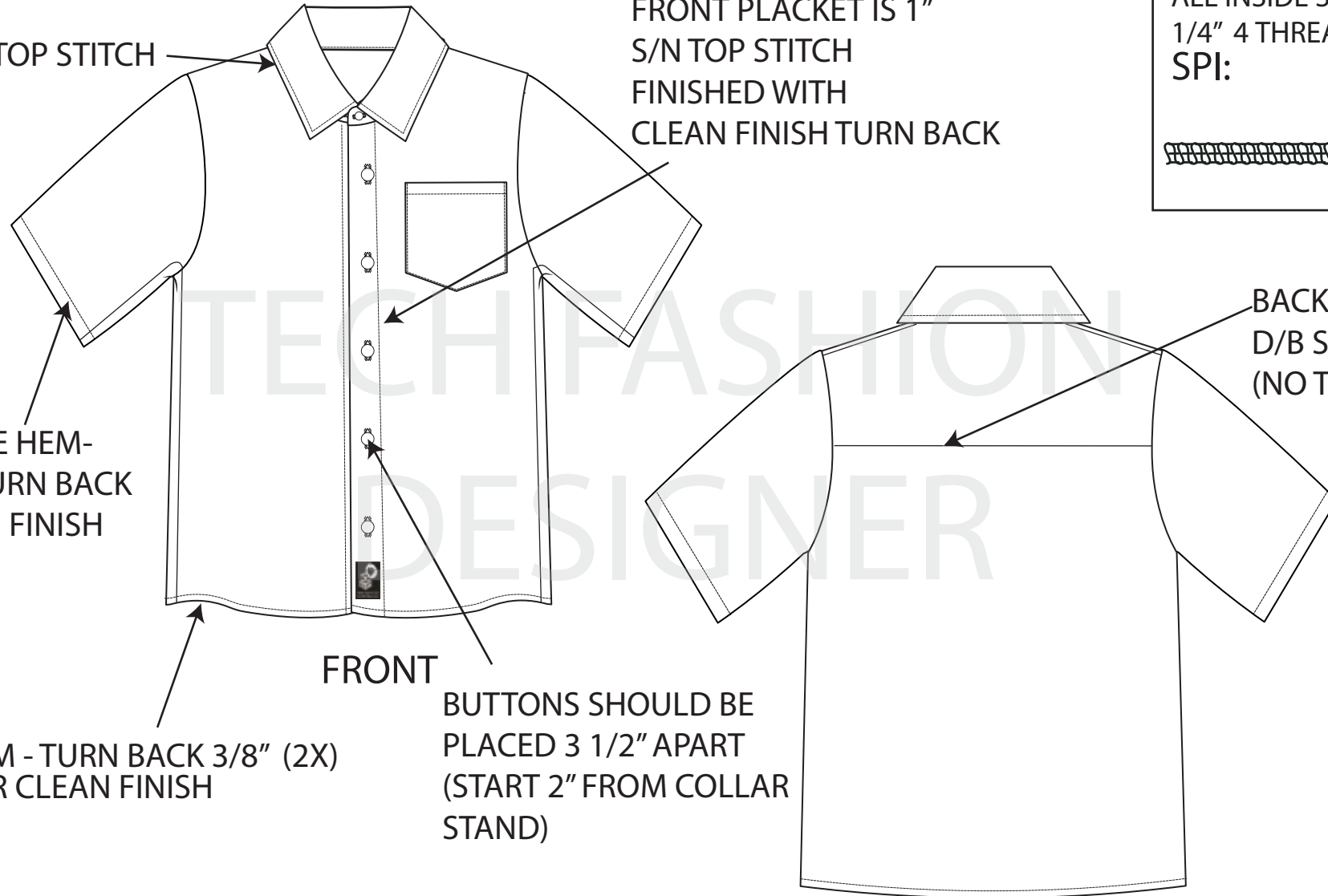
BACK YOKE-  
D/B SIDED YOKE  
(NO TOP STITCH)

HEM - TURN BACK 3/8" (2X)  
FOR CLEAN FINISH

FRONT

BUTTONS SHOULD BE  
PLACED 3 1/2" APART  
(START 2" FROM COLLAR  
STAND)

BACK



BRAND: FESTIWILD

STYLE #: 01

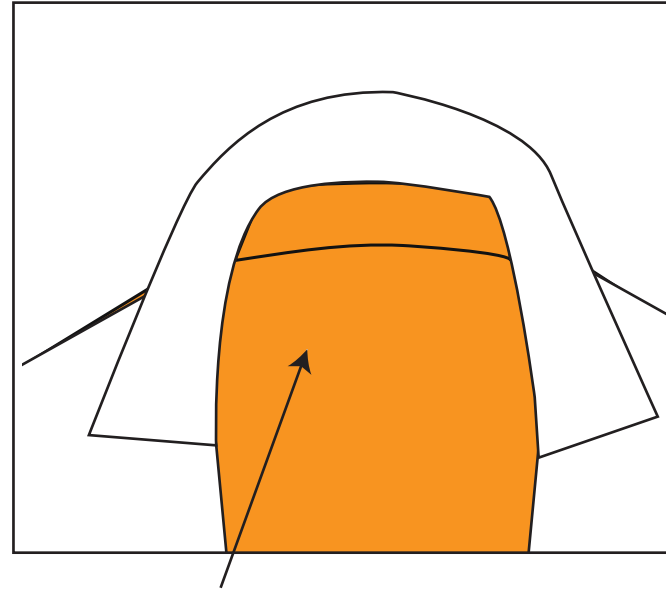
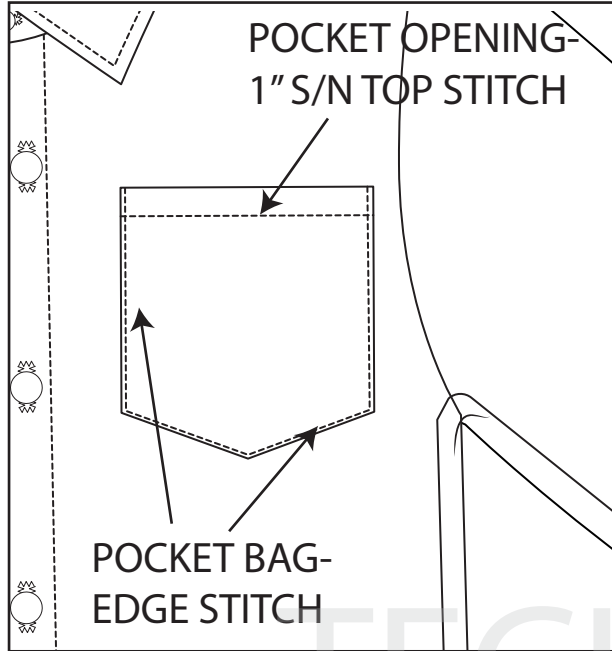
ISSUE DATE: 4/20/2X

STYLE DESCRIPTION : MEN'S KNIT BUTTON UP SHIRT

VENDOR: WWW.TECHFASHIONDESIGNER.COM

REFERENCE : (CLIENTS SHIRT SAMPLE)

### CONSTRUCTION CALL OUT-DETAILS



INSIDE COLLAR STAND  
AND YOKE ARE  
CONTRAST FABRICS.

ALL INSIDE SEAMS SHOULD BE  
1/4" 4 THREAD OVERLOCK



TECH FASHION  
DESIGNER

BRAND: FESTIWILD

STYLE #: 01

ISSUE DATE: 4/20/2X

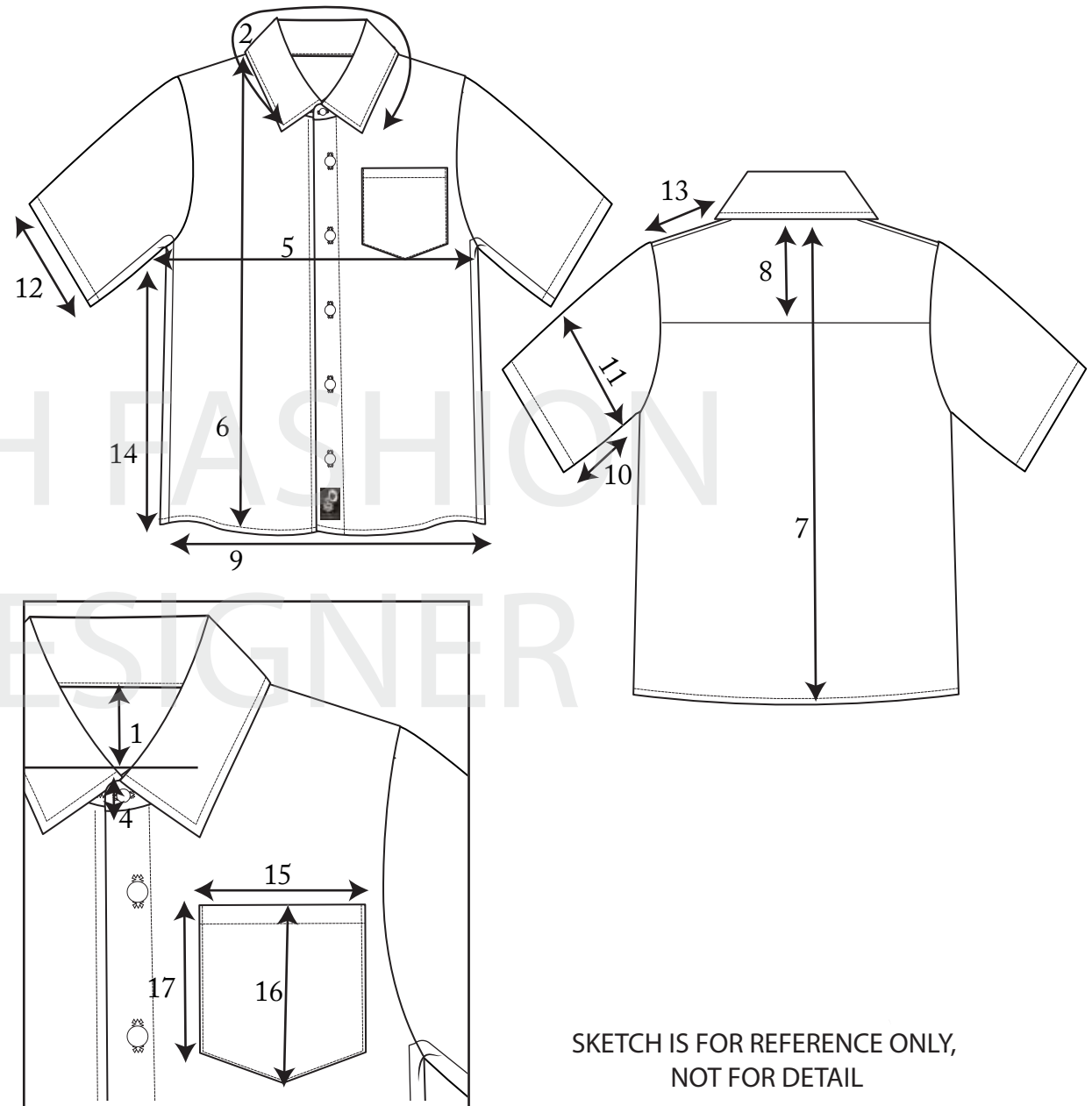
STYLE DESCRIPTION : MEN'S KNIT BUTTON UP SHIRT

VENDOR: WWW.TECHFASHIONDESIGNER.COM

REFERENCE : (CLIENTS SHIRT SAMPLE)

POINTS OF MEASURE & SPECS

MENS S/S SHIRT		
Measurements		L (")
1	Neck drop	2
2	Neck Width	18
3	Collar Stand Length	18
4	Collar Stand Width	1
5	Chest (1" below armhole)	43 1/2
6	Cf Length (hps to hem)	27
7	Cb Length (cb to hem)	29
8	Back Yoke	5
9	Bottom Opening	46 1/2
10	Sleeve Length (under arm to hem)	3 1/2
11	Bicep	17
12	Sleeve Opening	16
13	Shoulder	5 1/2
14	Side Seam	16 1/2
<b>Details</b>		
15	Pocket Opening	4 1/2
16	Pocket Height	5
17	Pocket Length	4 1/2



SKETCH IS FOR REFERENCE ONLY,  
NOT FOR DETAIL

BRAND: FESTIWILD

STYLE #: 01

ISSUE DATE: 4/20/2X

STYLE DESCRIPTION : MEN'S KNIT BUTTON UP SHIRT

VENDOR: WWW.TECHFASHIONDESIGNER.COM

REFERENCE : (CLIENTS SHIRT SAMPLE)

## LABELING & PACKAGING

### MAIN



### LABEL PLACEMENT





BRAND: FESTIWILD

STYLE # : 01

ISSUE DATE: 4/20/2X

STYLE DESCRIPTION : MEN'S KNIT BUTTON UP SHIRT

VENDOR: WWW.TECHFASHIONDESIGNER.COM

REFERENCE : (CLIENTS SHIRT SAMPLE)

FINAL SAMPLES



SUN SHINE

DESIGNER

TECHNO

PRODUCTION OF 30 STYLES EACH COLORWAY.



BRAND: FESTIWILD

STYLE #: 01

ISSUE DATE: 4/20/2X

STYLE DESCRIPTION : MEN'S KNIT BUTTON UP SHIRT

VENDOR: WWW.TECHFASHIONDESIGNER.COM

REFERENCE : (CLIENTS SHIRT SAMPLE)

FINAL SAMPLES



SPLASH



GLITTER BOMB



PRODUCTION OF 30 STYLES EACH COLORWAY.