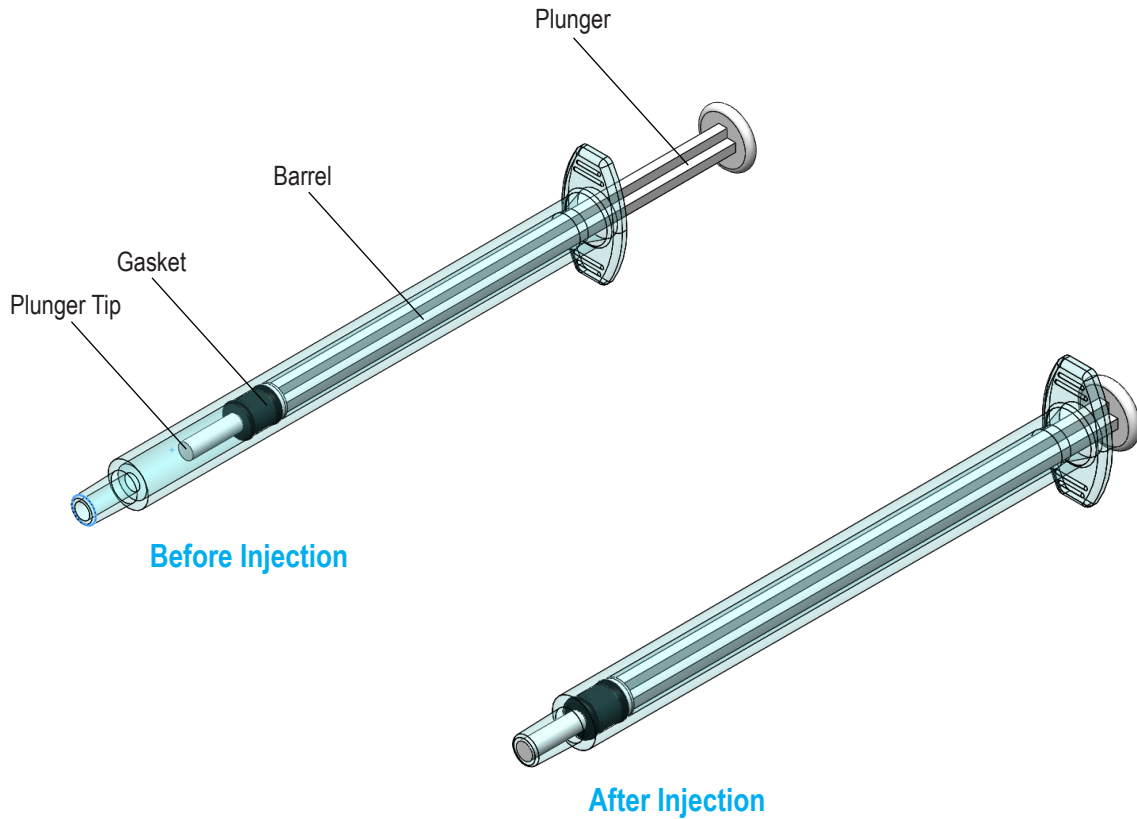




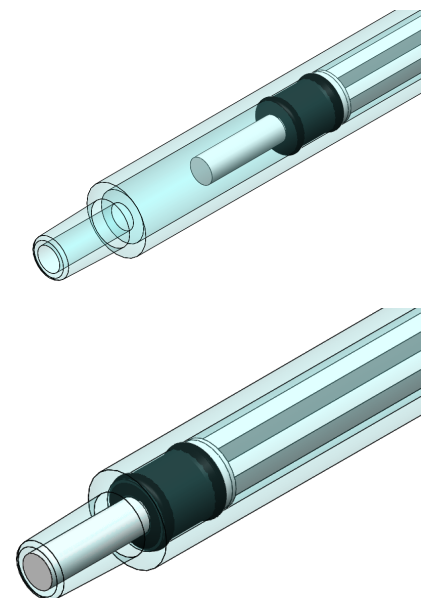
## Ultra Low DeadSpace Volume Disposable Syringe (ULDV)

Your solution in re-Use Prevention, low volume deadspace since 2007



The deadspace of the syringe is where the barrel nozzle is located. With a conventional disposable syringe the deadspace is over 70 microlitres. The deadspace is where blood pathogens can exist that can infect other users who decides to break the laws that prohibit re-use of the syringe which is a common occurrence in developing countries. Having a low deadspace can also save on vaccine usage greatly.

We have come up with a design that will flush liquids contained in the deadspace by using the same idea as the Alphaject Auto Disable Syringe. Instead of the rubber gasket, the plunger tip used to flush out. Using the plunger tip design creates benefits for the user as well as the manufacturer.



Complete filling the barrel nozzle to flush out the fluids completely.

# Alphaject ULVD Syringe

## Technical Information

Size	Packing	Needle Size	Description
0.5 cc	100 pcs per innerbox 30 boxes per carton box	Interchangeable All Sizes	Immunization
1 cc	100 pcs per innerbox 30 boxes per carton box	Interchangeable All Sizes	Immunization
3 cc	100 pcs per innerbox 27 boxes per carton box	Interchangeable All Sizes	Curative
5 cc	100 pcs per innerbox 18 boxes per carton box	Interchangeable All Sizes	Curative

# Alphaject ULVD Syringe

## Advantages

- User friendly (special training is not needed).
- Low production cost for competitive pricing.
- Low capital investment for production and machinery.
- Easy to learn production process while producing maximum production capacity.
- Low production defect rate.
- Customizable product to directly fit your needs
- Ultra low deadspace (<20 micro litres)