

# 5CCT Selectable 4Inch 10W LED Slim Panel Light Specifications

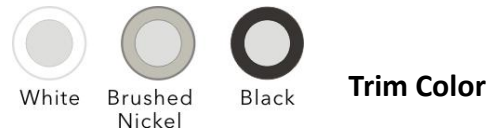
## Description

**4Inch 5CCT Selectable LED Slim Panel Light** comes complete with an external driver in a junction box. Commercial grade quality with architectural design.

Item No. : **JXL-TZ04-T10W-5CCT-XX**

## Features and Benefits

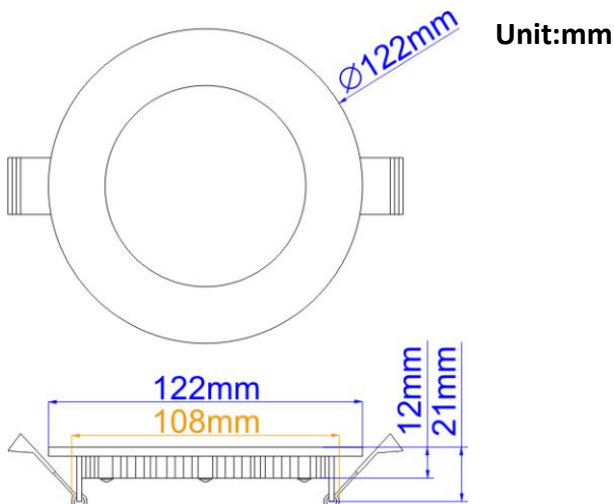
- **1/2" Thin:** Fits in Tight Ceiling Space.
- **AC110-130V brightness** Triac Dimmable.
- **Air Tight & Type IC Rated:** No housing Required.
- **Fast & Easy Installation:** Save labor cost.
- **Junction Box Included:** No additional hardware required
- **CRI 82:** True color rendering is for option .
- **ETL-listed:** reliable quality and safe operation.
- Suitable for damp locations.
- **5CCT Selectable :**  
one fixture have 27K/30K/35K/40K/50K for choice
- **Trim Color:** White / Black / Brush Nickel trim cover



## Specifications

<b>Input Power</b>	<b>10W</b>
<b>Input Voltage:</b>	120V AC, 50/60HZ
<b>Lumen</b>	<b>700-800LM</b>
<b>Halogen Equivalent</b>	<b>70W</b>
<b>Efficiency</b>	70LM/W
<b>CRI</b>	>82Ra
<b>Power Factor</b>	0.95
<b>LED Chip</b>	SMD2835 (0.5W/pc)
<b>Beam Angle</b>	110°
<b>Color Temperature</b>	<b>5CCT Tunable</b> 27K/30K/40K/50K/60K
<b>Dimension</b>	<b>φ122*21mm</b>
<b>Cutout Size</b>	<b>φ108mm</b>
<b>Dimming</b>	Triac dimming 5-100%
<b>Approved Locations</b>	Insulated ceilings
<b>Air Tight</b>	Yes
<b>Lamp Life</b>	70% light output at 50000hrs
<b>Certification</b>	ETL, cETL,
<b>Warranty</b>	5 years
<b>Qty/ Ctn</b>	20pcs/ ctn
<b>Ctn Size</b>	<b>30*29.5*27cm</b>
<b>Gross Weight</b>	7.5KG

## Dimension Drawing



## Great Features and Benefits

- **Appearance:** Patent design, with unique appearance, easier for marketing.
- **Body:** Durable, die cast aluminum alloy for optimal heat dissipation .
- **Paint:** White, Nicel and Black for choice--Scratch resistant and smooth finish
- **LEDs:**LM70 San'an 2835 LED ( 0.5W/pc ), which guaranteed high lumen and high quality
- **Driver:** Isolated LED driver with 5 years warranty.
- **Junction Box:** Included, install directly in Insulated Ceilings (IC) without any thermal housing.

## Compatible Dimmers

- **Lutron :** CTCL-153P / DVCL-153P / S-600P / SLV-600P / CN-600P
- **Levetion :** 6674 /6672

## Installation:

1.Cut a 6.25inch diameter hole



2.Connect the wires accordingly



3.Connect the LED panel to the driver



4.Insert the light into the ceiling



2700K/3000K/3500K/4000K/5000K  
CCT SELECTABLE

