



Power and CCT Tunable Back-lit LED Panel Light

Product Appearance



Product Features

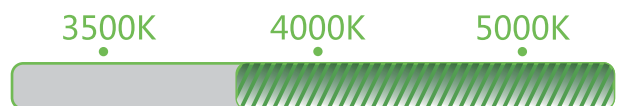
- 1. DIP Switch: 3 different Power and 3500K/4000K/5000K CCT tunable.
- 2. Smooth and comfortable light, no glare, no flicker.
- 3. High lighting efficiency:> 130lm/w .
- 4. Ra>80, PF>0.95, THD<15%.
- 5. White high-strength aluminum frame, seamlessly.
- 6. High quality 0-10V dimming isolated driver. High driver efficiency:>90%.
- 7. Smart options for bi-level dimming, motion and occupancy sensor and emergency functions.
- 8. Convenient access to retrofit. Ideal for office, retail and other architectural spaces.
- 9. ETL and DLC premium certified.
- 10. Five years' warranty

Specification

Mode	Size	Power	Input Voltage	Dimmable	PF	Light Efficacy	Ra	CCT
OSL-BPL-22-40W	2X2	30-35-40W	AC100-277V	0-10V	>0.9	130lm/w	80	3500K/4000K/5000K
OSL-BPL-14-40W	1X4	30-35-40W	AC100-277V	0-10V	>0.9	130lm/w	80	3500K/4000K/5000K
OSL-BPL-24-50W	2X4	30-40-50W	AC100-277V	0-10V	>0.9	130lm/w	80	3500K/4000K/5000K



CCT Tunable



2x2 or 1x4
Watt Tunable



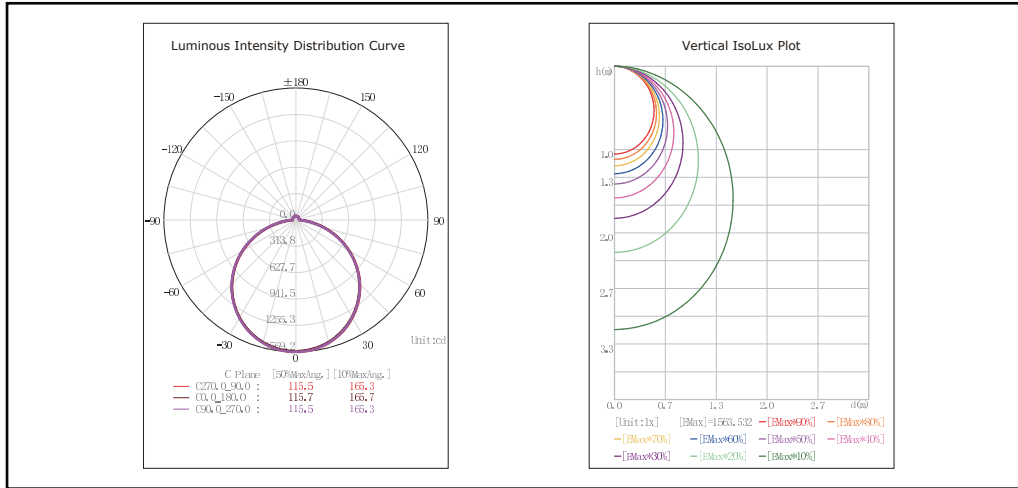
2x4
Watt Tunable



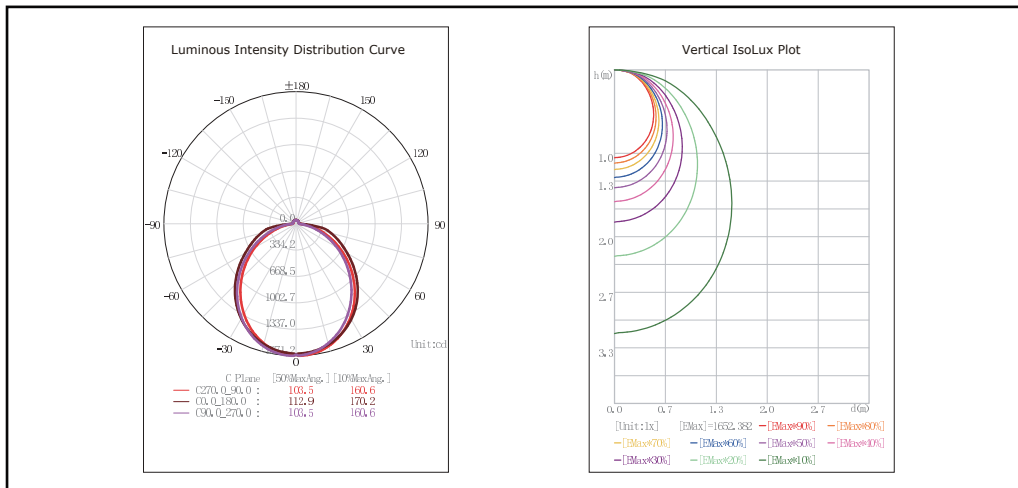
- 30W 3500K
- 30W 4000K
- 30W 5000K
- 35W 3500K
- 35W 4000K
- 35W 5000K
- 40W 3500K
- 40W 4000K
- 40W 5000K
- 50W 3500K
- 50W 4000K
- 50W 5000K

Testing Report

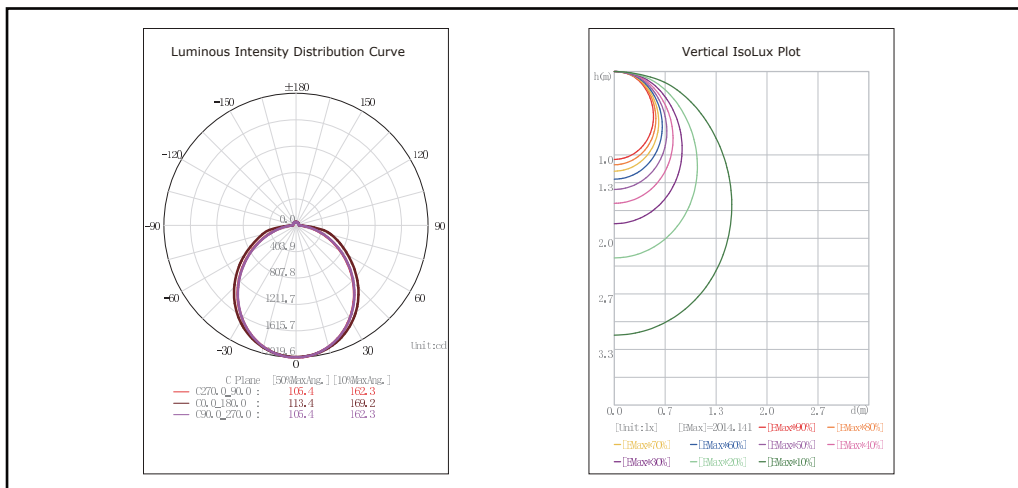
2X2 LUMINOUS INTENSITY DISTRIBUTION DIAGRAM



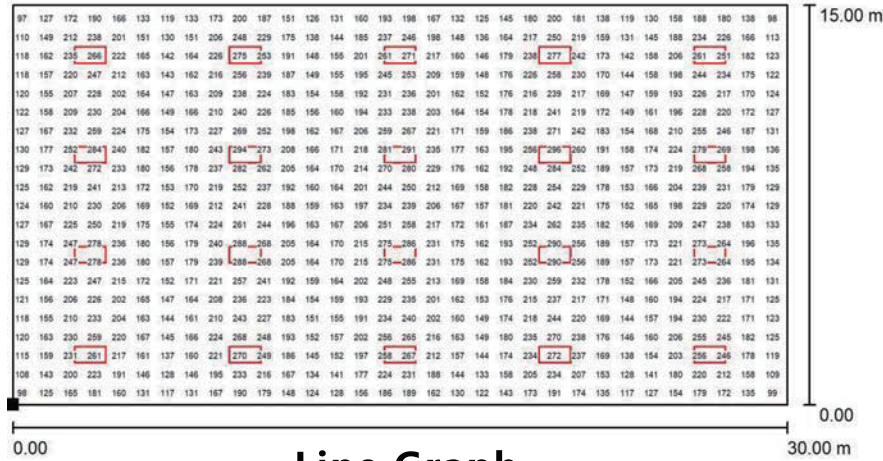
1X4 LUMINOUS INTENSITY DISTRIBUTION DIAGRAM



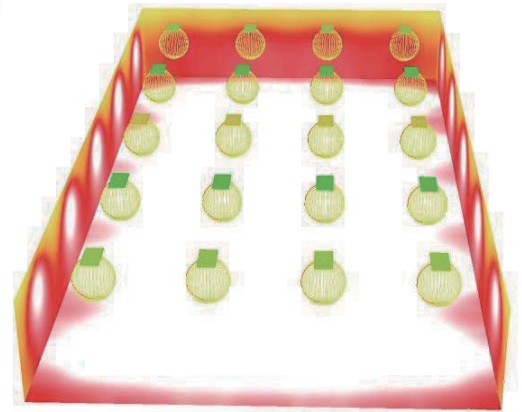
2X4 LUMINOUS INTENSITY DISTRIBUTION DIAGRAM



Simulation chart

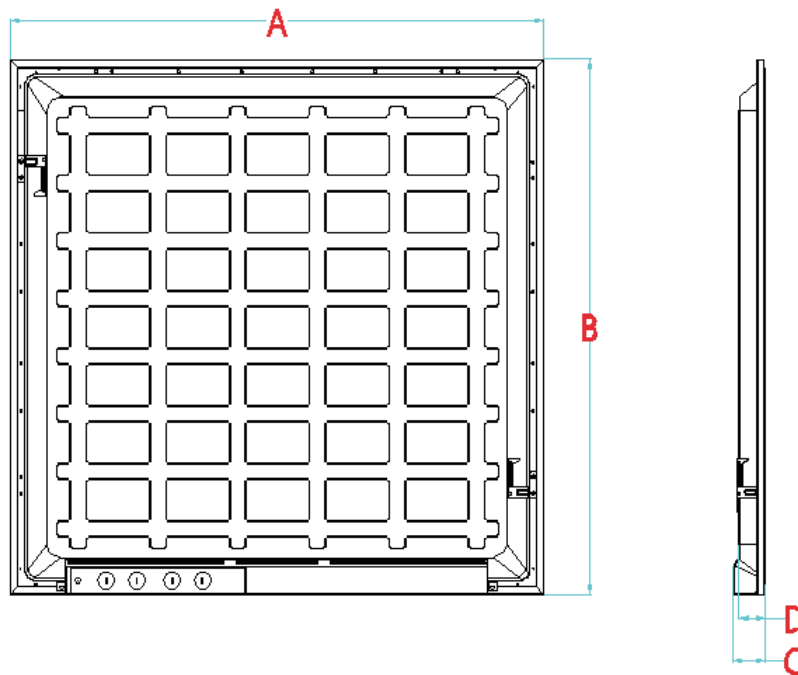


Line Graph



Thermal Imaging

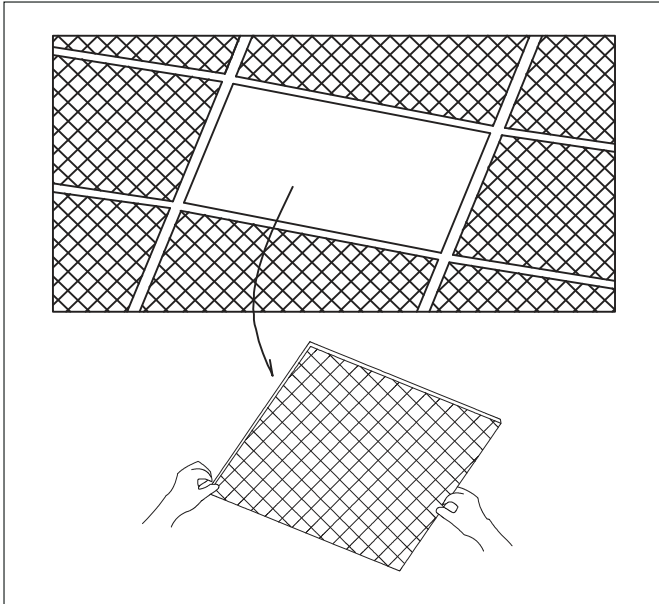
Product Dimension



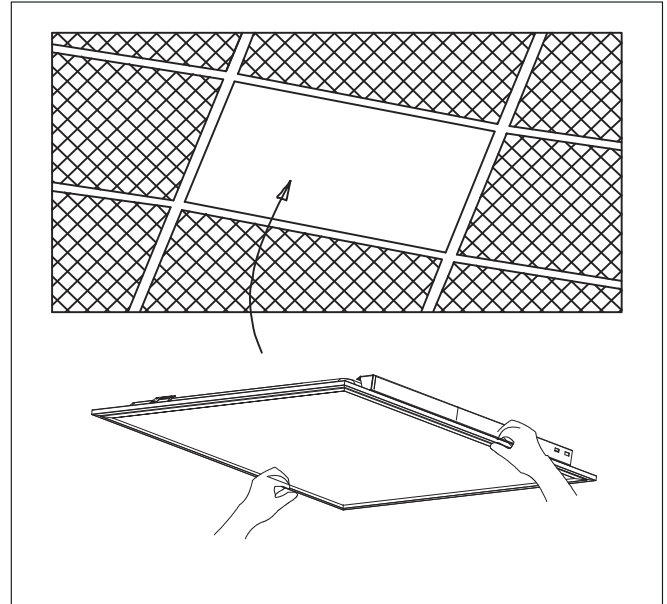
Mode	size	A (inch)(mm)	B (inch)(mm)	C (inch)(mm)	D (inch)(mm)
OSL-BPL-22-40W	2x2 FT	23.74" (603mm)	23.74" (603mm)	1.5" (38mm)	1.18" (30mm)
OSL-BPL-14-40W	1x4 FT	47.76" (1213mm)	11.93" (303mm)	1.5" (38mm)	1.18" (30mm)
OSL-BPL-24-50W	2x4 FT	23.74" (603mm)	47.76" (1213mm)	1.5" (38mm)	1.18" (30mm)

Installation

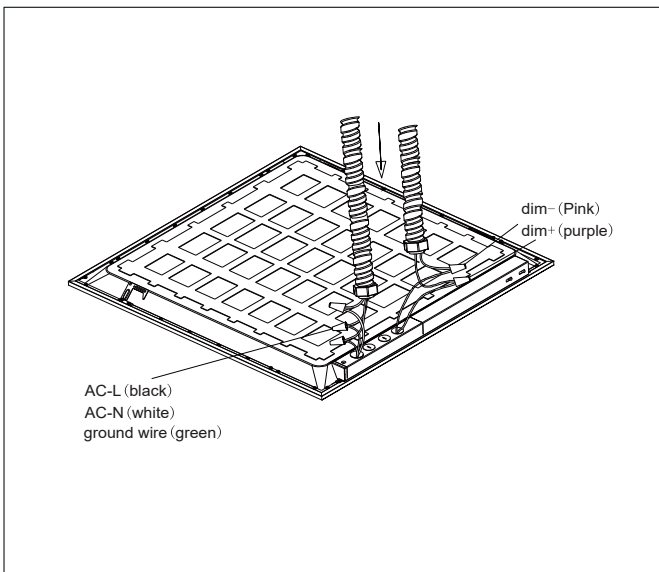
1. Remove 2x2 or 2x4 or 1x4 the from ceiling



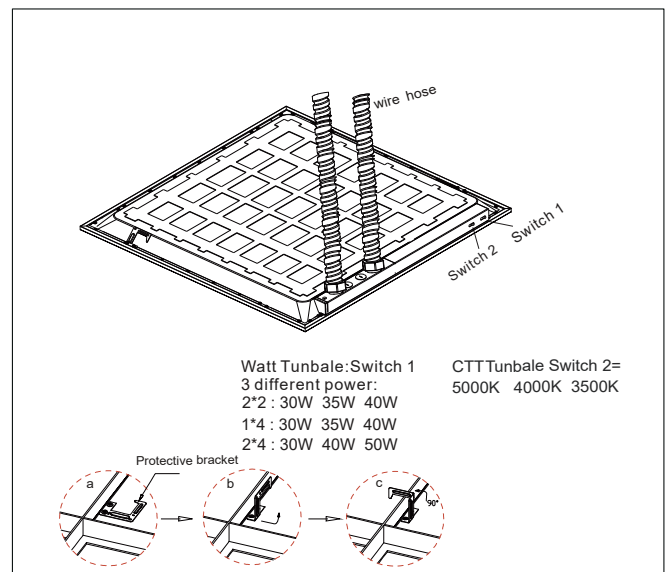
2. Put on the LED panel.



3. Connecting wire: Pls connect AC wire of driver at L(Black),N(White) and G(Green) for normal working; if dimming function needed, it also needs be connected for the both dimmable wires in grey and purple.



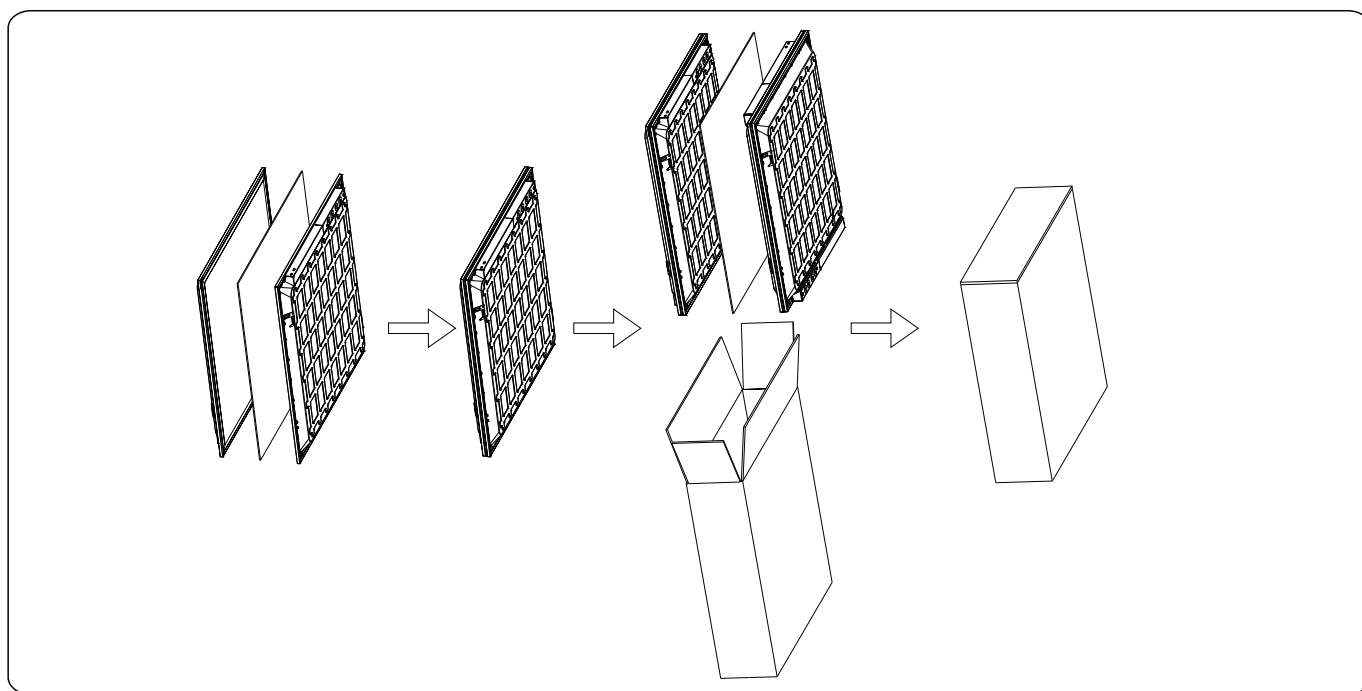
4. Fixed wire hose on the panel, Then installation is completed.
(0-10V CCT&Watts adjustable isolated-driver)



Packing /weight

Size	Outer Carton Size (LxWxH)	Qty/Carton (pcs)	Net weight (kg)(lbs)	Gross weight (kg)(lbs)	20GP (QTY)	40HQ (QTY)
2x2FT	(613*170*625mm) (24.13"x6.70"x24.6")	4PCS	1.8kg 3.96lbs	9.5kg 20.9lbs	1440	3952
1X4FT	(1223*170*325mm) (48.15"x6.70"x12.79")	4PCS	2.0kg 4.4lbs	9.5kg 20.9lbs	1824	3904
2X4FT	(1223*170*625mm) (48.15"x6.70"x24.6")	4PCS	4.0kg 8.8lbs	17.8kg 39.16lbs	820	2004

Packing



Power and CCT Tunable Back-lit LED Panel Light



Note

- 1.The installation and maintenance must be completed by electricians or professionals.
- 2.Please cut off the power before installation and maintenance.
- 3.The fixture is not allowed to be covered by thermally insulating material.
4. Please keep away from the corrosive substance,and keep the fixture dry and clean.
5. Working temperature:-4°F~104°F, storage temperature:-22°F~140°F.