

CENTER BASKET TROFFER

CBT Series

■ ADVANTAGE

- Wattage switchable :
20W/25W/30W/35W/40W (2x2ft)
25W/30W/35W/40W/50W (2x4ft)
- CCT switchable: 3000K/3500K/4000K/5000K
- 0-10V dimmable
- Input voltage: AC100-277V
- Lumen : 150Lm/W
- Aluminum heat sink for efficient heat dissipation
- Application: office, schools, hospital, library etc



■ DETAILS

Features

- High efficiency isolated LED driver; High driver efficiency > 88%, PF > 0.9.
- Equipped with automatic low-voltage protection LED driver.
- Wattage and CCT switchable through dip-switches.
- PC Lens has high transmittance.
- High-quality LEDs, provide bright and uniform lighting.
- Compatible with standard 0-10V dimmer.

Installations

- Can be recessed into grid ceiling.
- Using surface mounted kit accessories to surface mount.

Certifications

- DLC 5.1 premium.
- Comply with the requirements of the Standard(s) for Luminaires and are identified with the cETL Listed Mark.

Accessories

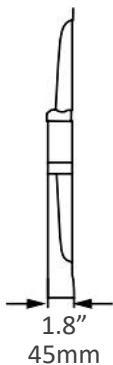
- Emergency battery , motion sensor, surface mounted kits for option.

Warranty

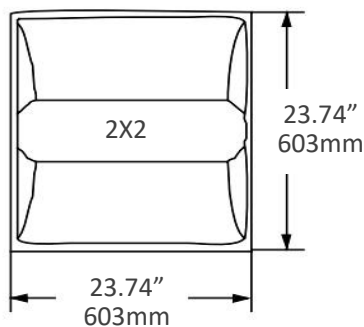
- All products from DIMI LIGHT are guaranteed with 5 years' warranty.

■ DIMENSIONS

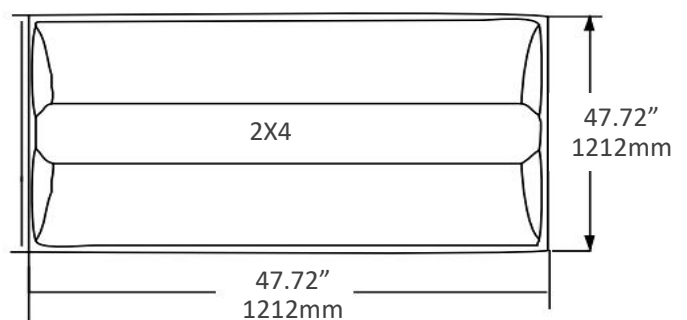
Side view



2x2 front view



2x4 front view



CENTER BASKET TROFFER

■ SPECIFICATION

	MODEL	SIZE	WATT	CCT	LUMEN	EFFICACY
<input type="checkbox"/>	DM-TR22W5-S4 <i>NEW</i>	2x2ft	20W/25W/30W/35W/40W Switchable	3000K/3500K/4000K /5000K Switchable	3000Lm-6000Lm	150Lm/W
<input type="checkbox"/>	DM-TR24W5-S4 <i>NEW</i>	2x4ft	25W/30W/35W/40W/50W Switchable	3000K/3500K/4000K /5000K Switchable	3750Lm-7500Lm	150Lm/W

■ ACCESSORIES (order separately)

- Motion Sensor
- Remote Controller

- 2x2ft Surface Mounted Kit
- 2x4ft Surface Mounted Kit

- Emergency Battery



Emergency battery

- UL listed approved.
- Charging time: 24 hours.
- Selectable emergency power: 8W.
- Illumination time: 90 minutes.
- Split design, more flexible for installation.



Surface mounted kit

- Available in 2x2ft, 2x4ft.
- Surface mounted kit is made of high quality aluminum material with white coating, corrosion and oxidation resistance.
- Perfect for troffer surface installation, can be use corridor, office, school, hospital, library, public room, utility areas etc

■ PACKING INFO

SIZE	2PCS/CARTON		
	DIMENSION(INCH)	N.W(LBS)	G.W(LBS)
2x2ft	26.38"x4.33"x25.59"	14.66	16.09
2x4ft	49.61"x4.33"x26.18"	25.57	27.33

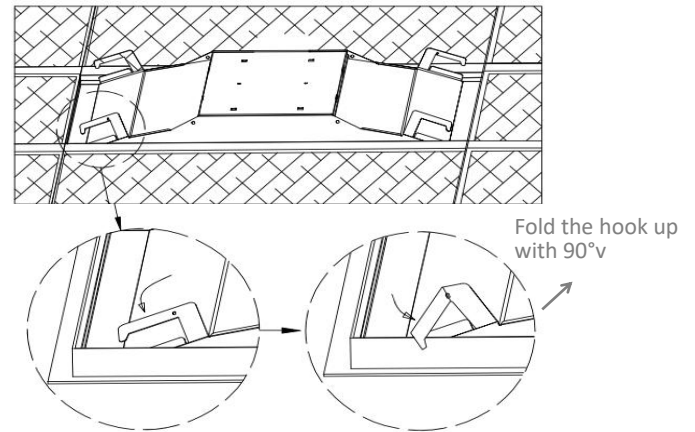
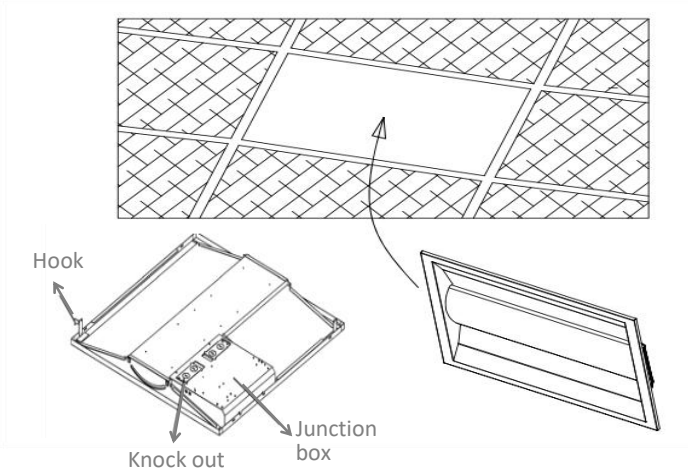
CENTER BASKET TROFFER

■ INSTALLATIONS

❖ Recessed

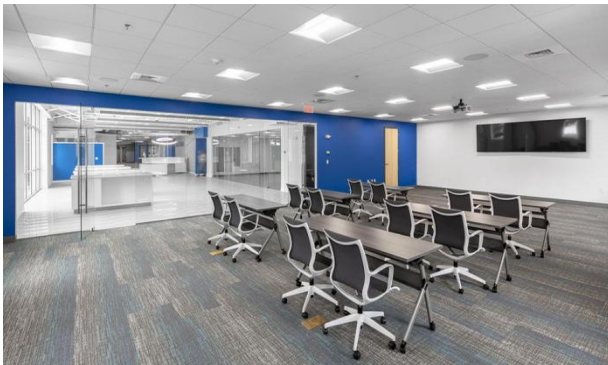
Step 1: Remove 2X2ft or 2X4ft tile from ceiling. Put on the LED troffer.

Step 2: Use the protective brackets for safety.



■ APPLICATIONS

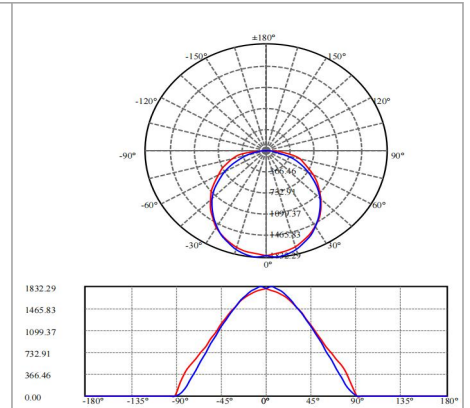
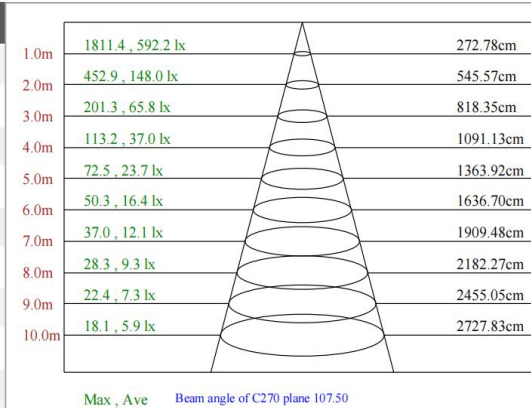
- Corridor, Office, School, Hospital, Library, Public Room, Utility Areas etc.



CENTER BASKET TROFFER

PHOTOMETRIC DATA

DM-TR22W5-S4	
Minimum Watt	20 W
Maximum Watt	40 W
PF	0.9966
Maximum CCT	3000K
Maximum CCT	5000K
Flux	5625 Lm
Efficacy (AC)	145.50 Lm/W
Dimmable	0-10 V
Voltage Range	100-277 V



DM-TR24W5-S4	
Minimum Watt	25 W
Maximum Watt	50 W
PF	0.9968
Maximum CCT	3000K
Maximum CCT	5000K
Flux	7105 Lm
Efficacy (AC)	148.80 Lm/W
Dimmable	0-10 V
Voltage Range	100-277 V

