

EM LED Reduced Profile Thermoplastic Emergency Unit

Project:	
Type:	
Catalog #:	



STANDARD



OPTIONAL

ILLUMINATION

- Ultra-bright, energy efficient, long-life White LED adjustable lamp heads provide up to 30-ft center-to-center spacing with 3-ft path of egress at 10-ft mounting height.
- 1.5 watt (3 LEDs x 0.50 watt) per head.
- Unique all-inclusive lamp, reflector and lens assembly.

ELECTRICAL

- Dual 120/277 voltage.
- Unique bi-color LED indicator light alerts occupant on battery condition (Green-normal, Red-check battery).
- Charge rate/power "ON" LED indicator light and push-to-test switch for mandated code compliance testing.
- 3.6V long life, maintenance-free, rechargeable NiCd battery.
- Internal solid-state transfer switch automatically connects the internal battery to LED lamp heads for minimum 90-minute emergency illumination.
- Fully automatic solid-state, two rate charger initiates battery charging to recharge a discharged battery in 24 hours.

MOUNTING

- Universal knockout pattern on back plate for surface mount.
- Suitable for wall or ceiling mount.
- Knockout for conduit applications.

HOUSING

- Injection-molded, engineering grade, 5VA flame retardant, high-impact resistant, thermoplastic in white or black finish.

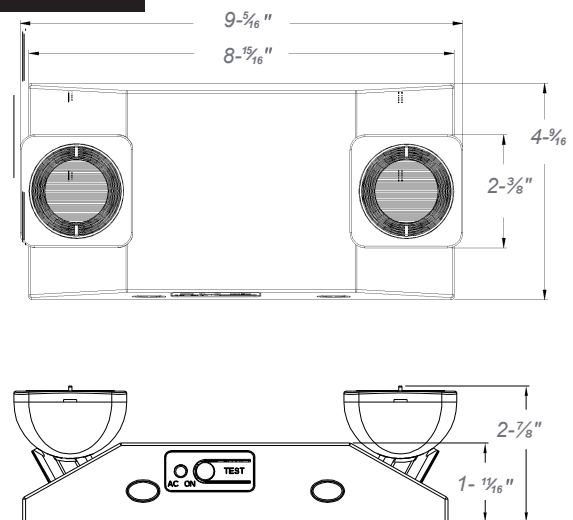
OPTIONS

- RC: Remote capacity of 2.5 watts.
- SDT: Self-diagnostic feature performs monthly, biannual, and annual tests to ensure reliable operation and meet electrical and life safety codes.
- USA: Substantial transformation assembly in U.S. complies with "Assembled in USA" under the Buy American Act.

WARRANTY / LISTING

- Five year warranty on all electronics and housing. Batteries pro rated for five years.
- UL listed for damp locations (0°C – 50°C).
- Meets UL924, NFPA 101 Life Safety Code, NEC, OSHA, Local and State Codes.
- Certified to CEC under title 20 regulations.

DIMENSIONS



ORDERING INFORMATION

Sample Part Number: **EMW**

MODEL	HOUSING COLOR		OPTIONS	
EM	W	White	RC	Remote capacity
	B	Black	SDT	Self-Diagnostics
			USA	Assembled in USA

EM LED Reduced Profile Thermoplastic Emergency Unit

Project:	
Type:	
Catalog #:	

ELECTRICAL INFORMATION

CATALOG NUMBER	INPUT WATTS (W)		INPUT AMPS (A)	
	120V	277V	120V	277V
EM	0.6	0.7	0.075	0.075
EM-SDT	0.6	0.7	0.09	0.09
EM-RC/SDT	0.8	1.0	0.12	0.12

REMOTE LAMP COMPATIBILITY

MODEL NUMBER	BATTERY	REMOTE CAPACITY	COMPATIBLE REMOTE HEAD FAMILY			
			RHLED	MRHLED	RH16LED	SRHLED
EM RC	3.6V	2.5W	x	x		