



Power Tunable LED Linear high Bay

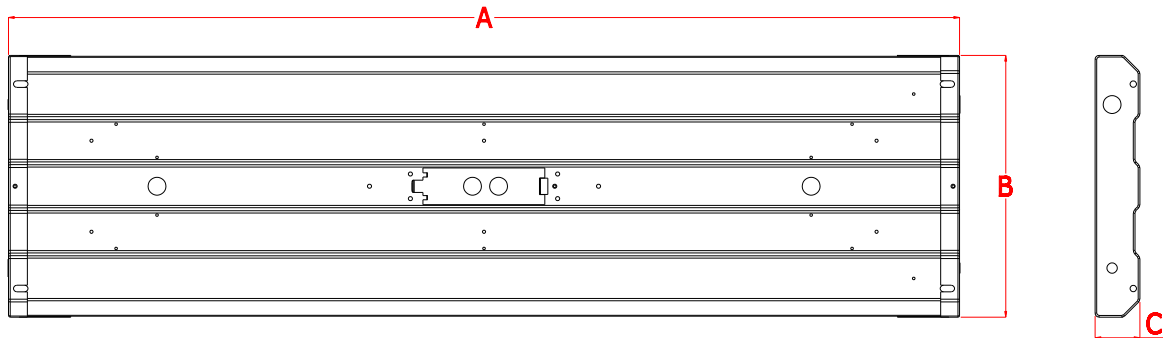
Product Appearance



Product Features

- 1. DLC5.1& FCC listed with LM79 & LM80
- 2. High luminous efficacy 140lm/w
- 3. High quality isolated driver, 0-10V dimming, Flicker free
- 4. PF > 0.95, driver efficiency > 88%,THD < 20%
- 5. Installation: hanging,it can add extra motion sensor or emergency battery.
- 6. Suitable for dry/damp location
- 7. Designed for warehouses, gymnasiums, and industrial spaces
- 8. CCT: 4000K & 4500K& 5000K& 5700K
- 9. Five years warranty

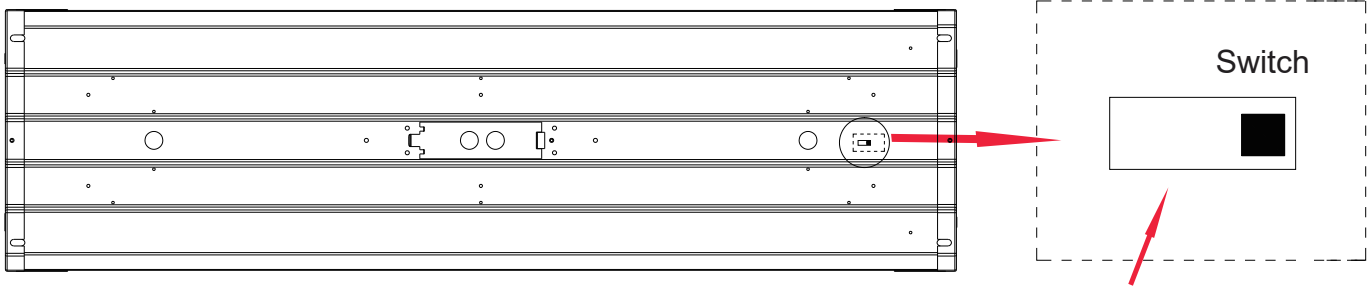
Product Dimension



Mode	A (inch)(mm)	B (inch)(mm)	C (inch)(mm)
OSL-HB5-165W-L	23.82"(605mm)	12.60"(320mm)	2.17"(55mm)
OSL-HB6-220W-L	46.57"(1183mm)	12.60"(320mm)	2.17"(55mm)
OSL-HB11-300W-L	23.82"(605mm)	17.32"(440mm)	2.17"(55mm)
OSL-HB11-320W-L	46.57"(1183mm)	12.60"(320mm)	2.17"(55mm)

Specification

Mode	Power	Input Voltage	SIZE	Input Current	Light Efficacy	PF	Ra	CCT
OSL-HB5-165W-L	110-130-165W	AC100-347V	2FT	1.65A	140lm/w	>0.9	80	4000K-5700K
OSL-HB6-220W-L	180-200-220W	AC100-347V	4FT	2.2A	140lm/w	>0.9	80	4000K-5700K
OSL-HB11-300W-L	255-275-300W	AC100-347V	2FT	3.0A	140lm/w	>0.9	80	4000K-5700K
OSL-HB11-320W-L	225-275-320W	AC100-347V	4FT	3.2A	140lm/w	>0.9	80	4000K-5700K



Watt Tunable : Switch
3 different power:

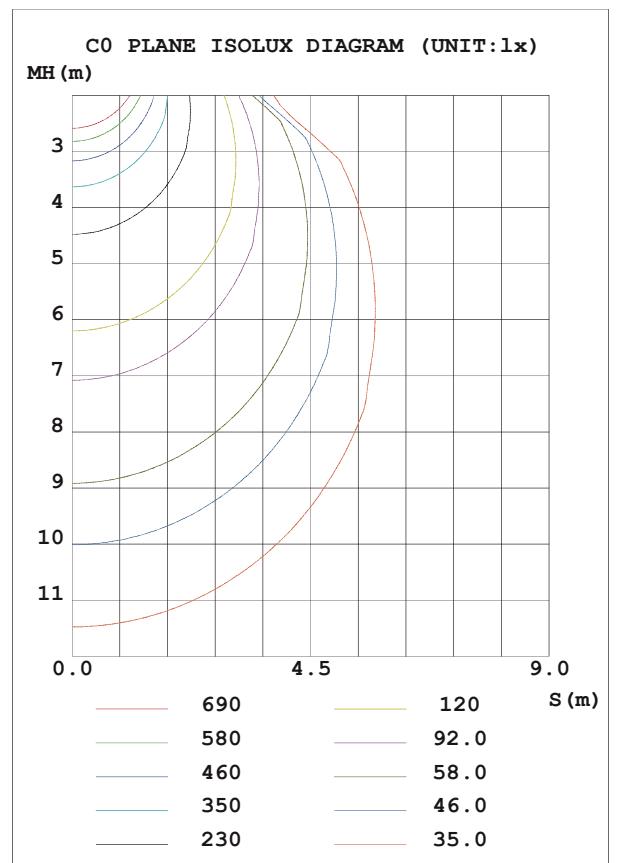
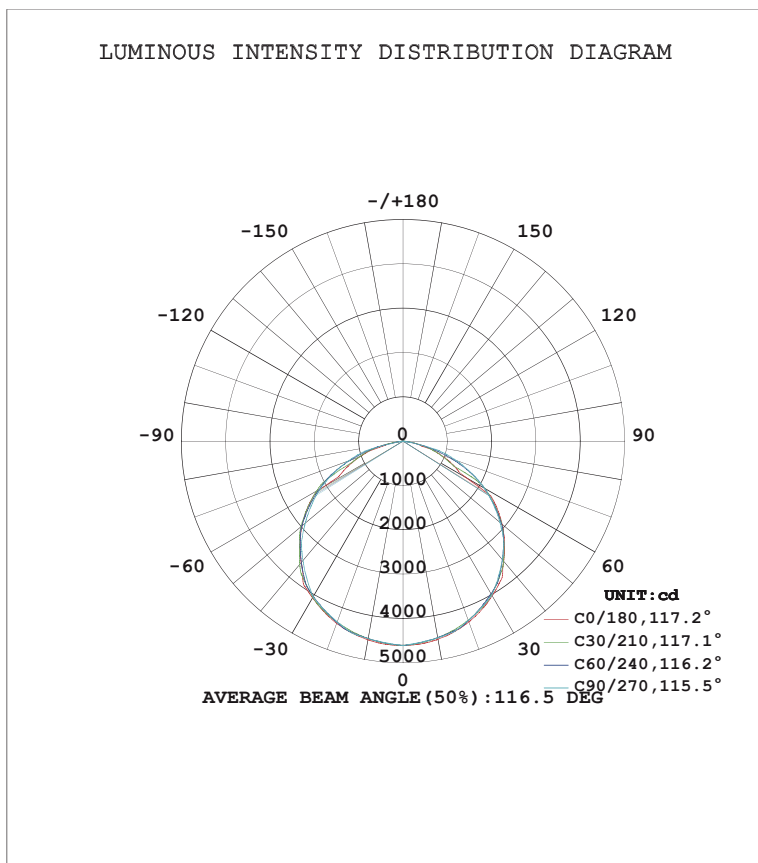
OSL-HB5-165W-L: 110W 130W 165W

OSL-HB5-220W-L: 180W 200W 220W

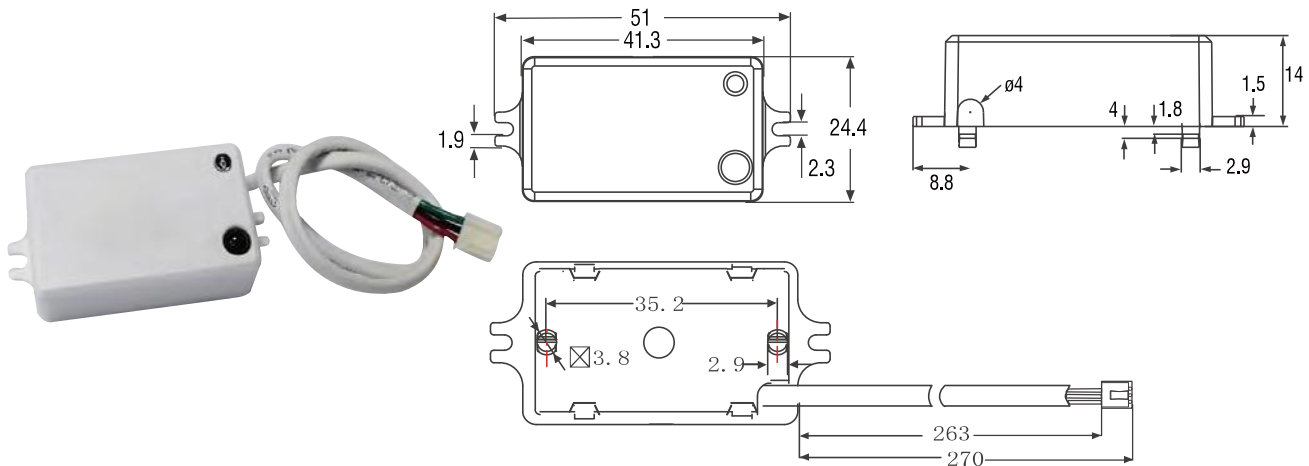
OSL-HB11-300W-L: 255W 275W 300W

OSL-HB11-320W-L: 225W 275W 320W

Testing Report



Microwave motion sensor

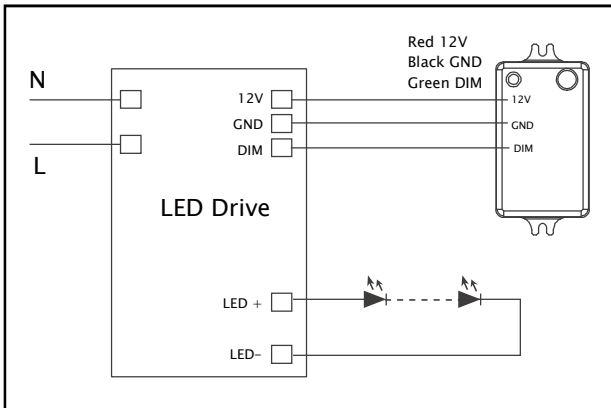


Technical data

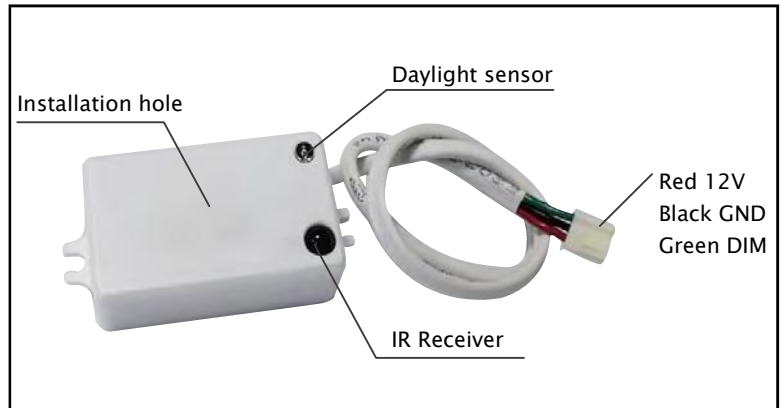
Operating voltage	12VDC
Operating current	≤25mA
Output	DIM/0-10V
Stand-by power	≤0.5W
Detection area	25%/50%/75%/100%
Hold time	5s/30s/1min/3min/5min/10min/20min/30min
Daylight threshold	2Lux/10Lux/30Lux/50Lux/80Lux/120Lux/Disable
Stand-by period	0s/10s/30s/1min/5min/10min/30min/+∞
Stand-by dimming level	10%/20%/30%/50%
Microwave frequency	5.8GHz±75MHz
Microwave power	<0.3mW
Mounting height	Max.15m/49.2ft (ceiling mounted)
Detection range	Max.∅14m/45.92ft (ceiling mounted)
Operating temperature	-20°C~+60°C
Motion detection	0.5~1.5m/s
IP rating	IP20
Warranty	5 years

Factory Default Setting: Detection area 100%/ Hold time 5s/ Daylight threshold Disable/Stand-by period 0s/Stand-by dimming level 10%.

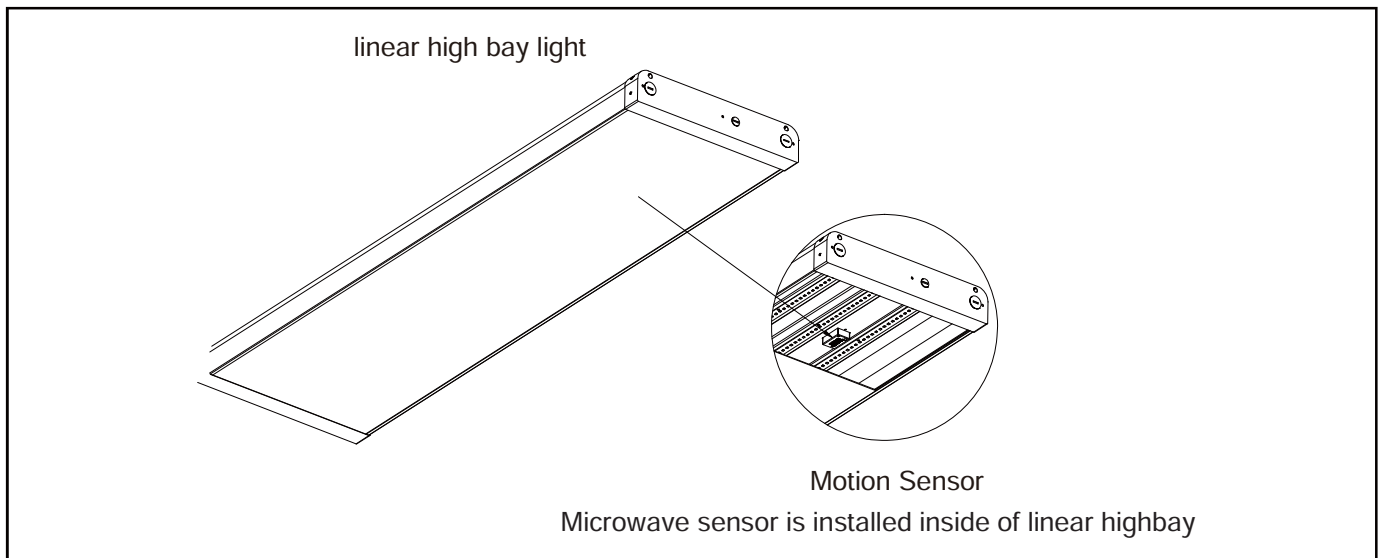
Wiring



Structure

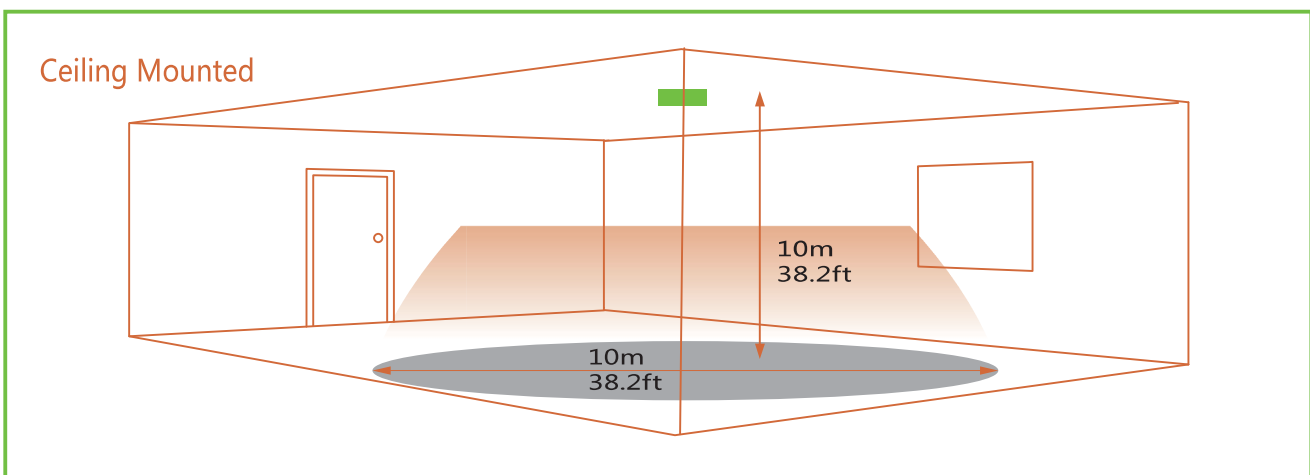


MOUNTED TO LINEAR HIGH BAY LIGHT



Function

● Detection Patterns



● **Customer can set it according to actual needs with a remote controller.**

ON/OFF Press the "On/off" button, the light keeps permanently on or off. Press "Auto Mode", "Reset" or "Apply" buttons to quit from this mode.

Auto Mode Press "Auto Mode" button, the sensor starts to work and all settings remain the same before the light gets switched on/off.

Reset 1. Press "Reset" button, change brightness to max level.
2. Press "Reset" button, products with DIP switch will be controlled by DIP switches; otherwise all the setting will be just initial, that is 100% detection range, hold time 5S, no stand-by time and daylight threshold disabled.

+/- Flick only after press "Apply" button
1. To adjust brightness 10-100% in on/off mode.
2. To adjust highest brightness 60-100% in sensor mode.

Start Press "Start" to customize scene, users can change detection range, daylight threshold, holdtime, standby dimming level and standby period.

Memory 1. Press "Memory" to save all the settings.
2. The settings remained as the last time if not get resetted values.

Apply 1. Press "Apply" to deliver the saved setting.
2. Press "Apply" without "memory" will make all the setting one-time operation.
3. Settings should be done within 30S, otherwise it exits memory mode.

Detection area Press to define detection area 100%/75%/50%/25%.

Hold time Press to define holdtime 5s/30s/1min/3min /5min/10min/20min/30min.

Stand-by dimming level Press to define stand-by dimming level 10%/20%/30%/50%.

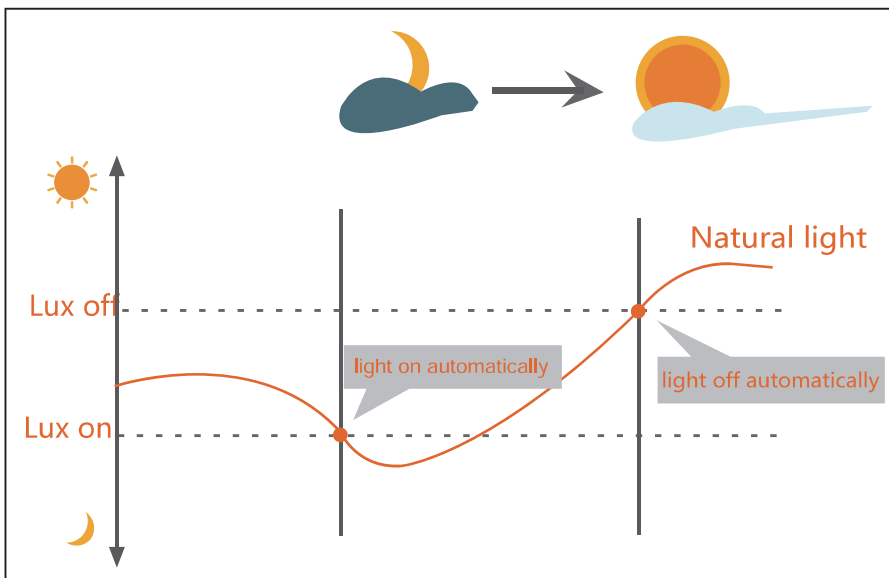
Stand-by period Press to define stand-by period 0s/10s/30s/1min/5min/10min/30min/+∞.)
Note: "0s" means no standby period; "+∞" means unlimited standby period.

Daylight threshold Press to define daylight level 2Lux /10Lux /30Lux/50Lux/80Lux/120Lux/Disable.
Note: Disable means light will be turned on once sensor detects movement, regardless of the ambient lux.

Test (2s) The button "Test (2s)" is for testing purpose after commissioning. Pressing this button, the sensor goes to test mode (hold time is only 2s)

● **Lux on/off**

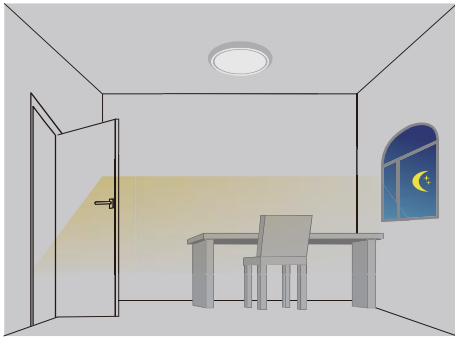
Adopted dual PD technology, it is able to differentiate artificial light brightness from natural light after installed inside the fixture, and automatically turn off light when ambient brightness exceeds preset lux level.



Preconditions to use the Lux-off function:

1. Standby period is +∞;
2. Standby dimming level is on 10%, or 50%;
3. Daylight threshold is on 30Lux-50Lux, 80Lux or 100Lux.

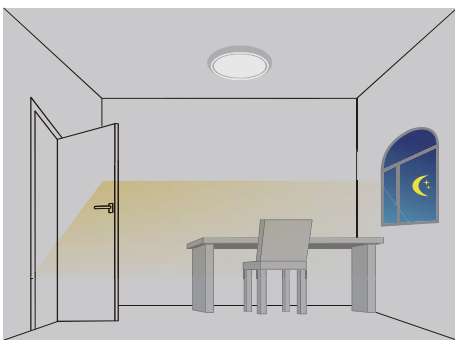
● Application——Lux on/off



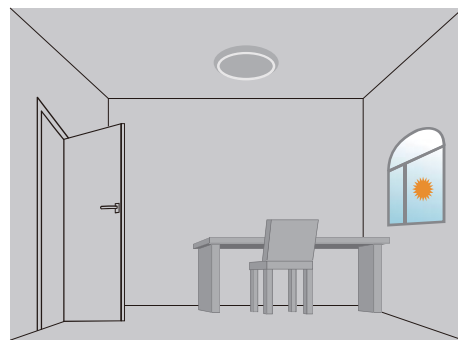
Light automatically on when ambient brightness is lower than preset lux level.



With insufficient ambient brightness, light dims to 100% when motion detected.

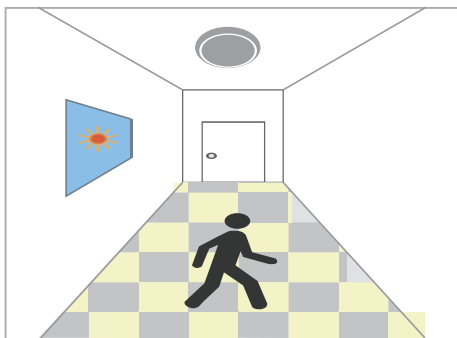


Light dims to standby level if no motion detected after holdtime.



Light off when ambient lux level is higher than preset lux amount.

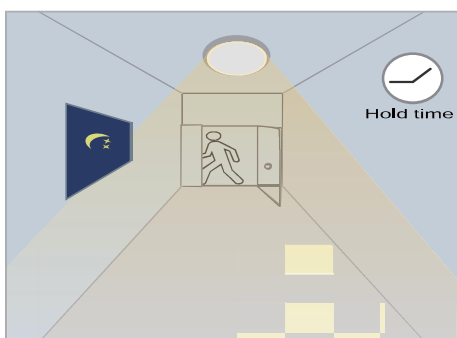
● Application——Dimmable control/Corridor function



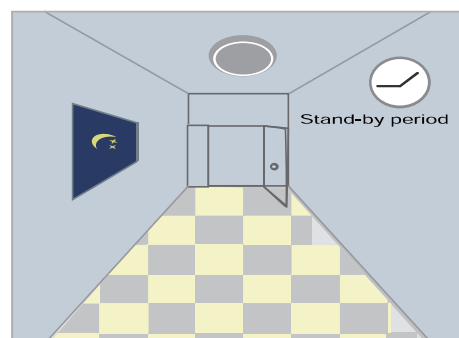
With sufficient daylight, even when motion detected, light remains OFF.



With insufficient daylight, when motion detected, light ON.



After the stand-by period, light OFF. After last detection, the light will be dimmed down to the stand-by dimming level(10%,20%,30% or 50%) after holdtime.

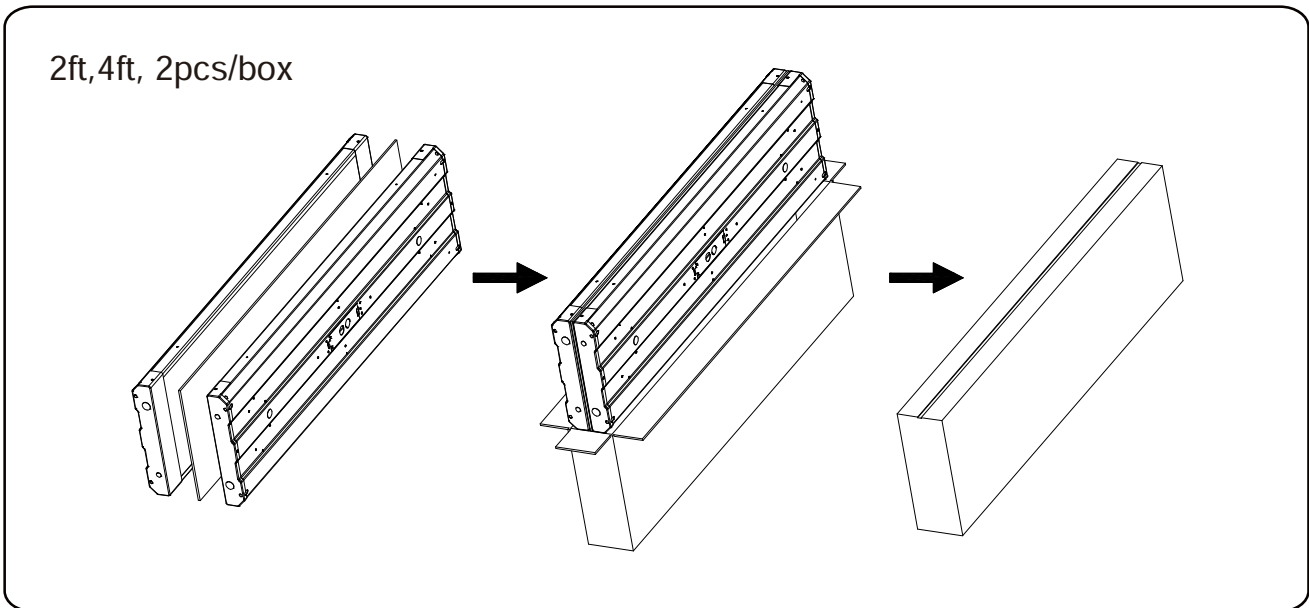


Light dims to standby level if no motion detected after holdtime.

Packing /weight

Part NO.	Outer Carton Size (LxWxH)	Qty/Carton (pcs)	Net weight (kg)(lbs)	Gross weight (kg)(lbs)	20GP (QTY)	40HQ (QTY)
GL-HB5-165W-L	24.41"*5.39"*13.39" (620*137*340mm)	2	7.6Kg/16.72lbs	8.2Kg/18.04lbs	1874	4436
GL-HB11-300W-L	24.41"*5.39"*17.91" (620*137*455mm)	2	9.8Kg/21.56lbs	10.55Kg/23.21lbs	1394	3302
GL-HB6-220W-L GL-HB11-320W-L	47.56"*5.39"*13.39" (1208*137*340mm)	2	21.0Kg/46.2lbs	22.5Kg/49.5lbs	952	2252

Packing



LED Linear High Bay



Note

- 1.The installation and maintenance must be completed by electricians or professionals.
- 2.Please cut off the power before installation and maintenance.
- 3.The fixture is not allowed to be covered by thermally insulating material.
4. Please keep away from the corrosive substance,and keep the fixture dry and clean.
5. Working temperature:-4°F~104°F, storage temperature:-22°F~140°F.