

# Meta Surface

VERTICAL SURFACE LINEAR LUMINAIRE

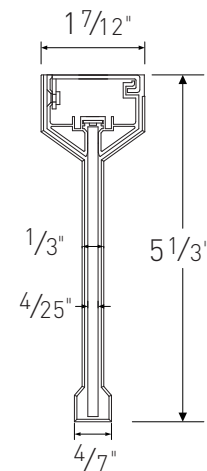
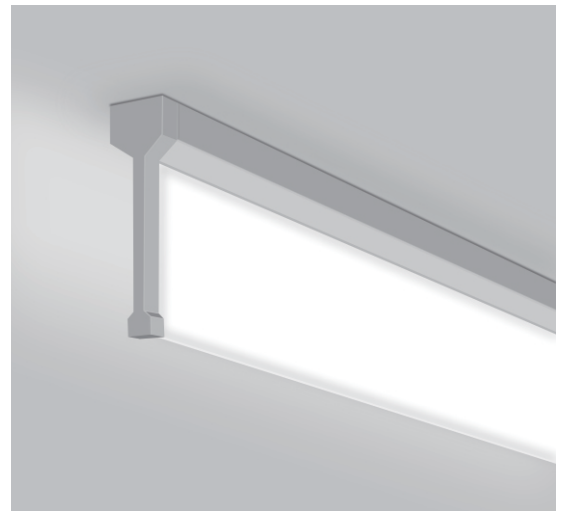
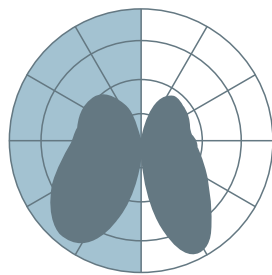


The Meta Surface is attractive and easy to install with simple screws or threaded studs which pass through the housing to fasten the luminaire in place. Ideal for locations with low ceilings or where fire ratings prevent recessed luminaires.

It is integrated with ultra-thin semi-transparent vertical optics, enveloped in a signature sloping silhouette where the frame meets the optics. It enables designers to mount the luminaire on ceilings to enhance architectural styling or add a unique flair to the interior design of a space.

With wattage and CCT adjustable function, Meta Surface also has the flexibility to illuminate many types of spaces, packing a powerful punch of up to 1300 lumens per foot with 90+CRI.

- 3 lengths & sloping silhouette
- Transparent optics
- Up to 1300 lm/ft
- True color, 90+CRI
- CCT & wattage adjustable



PERFORMANCE PER LINEAR FOOT AT 3000K

Length	Lumen Package		
	High	Medium	Low
2'	1000lm/ft, 10w/ft	—	—
3'	1300lm/ft, 13w/ft	1000lm/ft, 10w/ft	650lm/ft, 6.5w/ft
4'	1000lm/ft, 10w/ft	750lm/ft, 7.5w/ft	500lm/ft, 5w/ft

\*Please consult factory for custom lumen output and wattage

# Meta Surface

VERTICAL SURFACE LINEAR LUMINAIRE

## Structure

### Optics

Ultra-thin semi-transparent vertical optics, enveloped in a signature sloping silhouette where the frame meets the optics.

### Finish

Extruded aluminum housing with powder coat white finish.

### Electrical

**Mini Internal LED Driver** It is powered by Class 2 high efficiency LED driver, with a standard 1-10V driver which continuous dims to 10% that works with many types of controls. Tested Dimmers: Lutron® Diva-Dvtv, Leviton® IP-710-DL.

**THD** <20%  
**Power Factor** >0.9

**Input Voltage** Standard electronic drivers are UL recognized and available for 100-277V or 120-347V AC input voltage.

### LED System

**CRI** Minimum 90 color rendering index  
**CCT** CCT adjustable from 3000K, 3500K and 4000K with a great color consistency.  
**LED** Minimum 50,000h with 87.8% of lumen maintenance in 25°C ambient temperature, in compliance with IES LM-80 testing measurements.

### Approvals

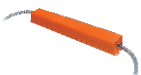
- cULus listed
- Suitable for damp locations
- Designed for indoor use only
- 5 years limited warranty

### Optional Function

**Sensor Option** We can provide a factory-installed integrated sensor system for multi-level control based on motion and/or daylight contribution with BR1810BI-level & daylight harvest microwave sensor from SHARKWARD. For more info or spec sheet, please contact sales.



**Emergency Option** Optional high voltage 8W emergency LED driver EM-H08170-LBF can be provided. When AC power fails, it immediately switches to the emergency mode, operating for lighting up to 120 minutes. When AC power is restored, it automatically returns to the charging mode which meets critical life-safety lighting requirements. For more info or spec sheet, please visit [www.oktlighting.com](http://www.oktlighting.com) or contact sales.



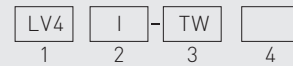
Emergency Lumen Output:

<b>FIXTURE EFFICACY</b>	<b>OUTPUT POWER 8W</b>
100lm/w	800 Lumens

## Product Ordering Guide

Sample

$\frac{LV4}{1} - \frac{I}{2} - \frac{TW}{3} \frac{2F}{4}$



### 1. Base Model

LV4 Linear Vertical

### 2. Driver

I Internal

### 3. CCT

TW CCT Adjustable: 3000K, 3500K, 4000K

### 4. Length

2F 2 feet  3F 3 feet  4F 4 feet

## Optional Ordering Information

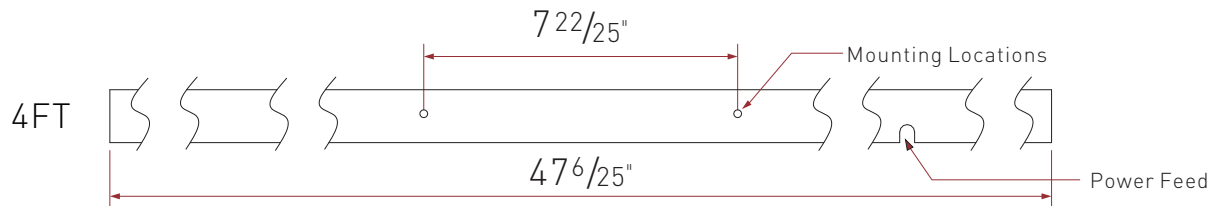
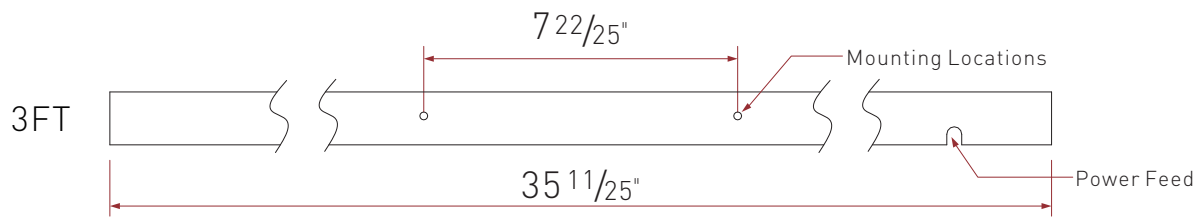
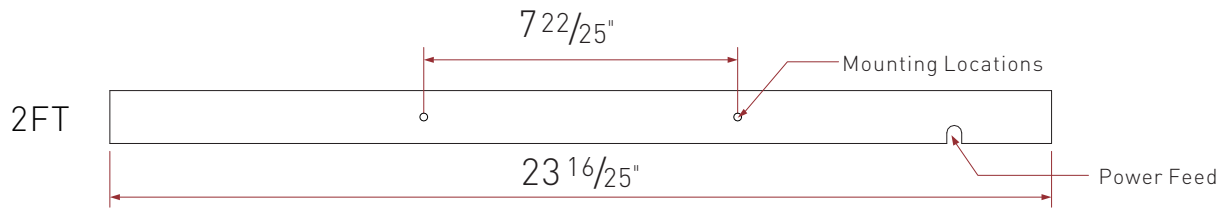
### Optional Function

- Emergency  
 Sensor

# Meta Surface

VERTICAL SURFACE LINEAR LUMINAIRE

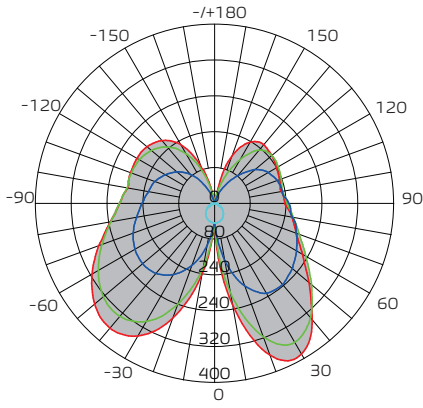
## Dimensions



# Meta Surface

VERTICAL SURFACE LINEAR LUMINAIRE

## Distribution Diagram



Test Number: LV4-ITW2F-S  
 Lumens: 2028.16 Lm  
 Watts: 20 W  
 LPW: 102.14 Lm/W  
 CCT: 3000K

UNIT: cd  
 — C0/180,334.8°  
 — C30/210,334.0°  
 — C60/240,315.4°  
 — C90/270,106.7°

## Zonal Flux Diagram

τ	C0	C45	C90	C135	C180
10	228.8	168.3	43.49	123.0	158.8
20	360.2	265.2	40.94	200.0	272.3
30	388.4	308.0	36.65	255.2	341.6
40	339.1	301.7	30.89	280.5	363.8
50	275.2	270.9	24.29	282.3	349.8
60	226.3	238.1	17.69	267.9	316.1
70	194.3	209.7	11.62	245.0	275.6
80	175.6	187.6	6.372	219.2	236.4
90	156.9	169.0	2.588	200.0	212.8
100	151.8	162.6	0.7929	186.9	198.0
110	154.7	163.9	0.5908	183.0	200.0
120	159.5	162.4	0.6223	174.2	200.7
130	166.7	152.0	0.6474	158.9	197.1
140	171.3	122.8	0.6990	135.9	183.2
150	157.8	80.97	0.6868	101.4	151.5
160	111.6	37.19	0.7029	51.57	82.05
170	12.75	0.6792	0.6310	1.045	12.53
180	0.5411	0.5749	0.5366	0.5456	0.5727
DEG	LUMINOUS INTENSITY:cd				

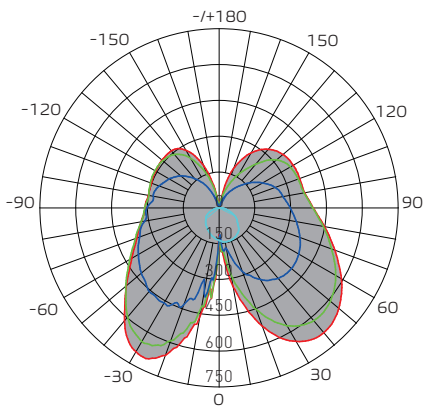
## Zonal Lumens

τ	φ total
0-10	9.762
10-20	60.81
20-30	170.1
30-40	329.4
40-50	518.1
50-60	717.5
60-70	915.1
70-80	1102
80-90	1275
90-100	1435
100-110	1584
110-120	1721
120-130	1838
130-140	1930
140-150	1991
150-160	2021
160-170	2028
170-180	2028
UNIT: lm	

## Luminance cd/(m2)

G(DEG)	C0/180	C90/270
85	16702	413
80	8872	322
75	6236	302
70	4985	298
65	4322	302
60	3970	310
55	3790	320
50	3756	331
45	3776	343

## Distribution Diagram



Test Number: LV4-ITW3F-S  
 Lumens: 3791.44 Lm  
 Watts: 40 W  
 LPW: 94.53 Lm/W  
 CCT: 3000K

UNIT: cd  
 — C0/180,334.8°  
 — C30/210,329.9°  
 — C60/240,305.3°  
 — C90/270,113.8°

## Zonal Flux Diagram

τ	C0	C45	C90	C135	C180
10	333.5	231.0	144.3	389.6	455.4
20	525.5	374.4	144.4	537.3	657.5
30	645.2	473.5	139.7	583.0	696.0
40	682.5	523.2	127.0	557.5	616.6
50	654.7	527.6	102.6	495.6	507.6
60	590.9	502.5	82.54	434.1	422.8
70	514.9	457.9	52.98	383.0	366.8
80	448.2	411.7	27.22	338.2	331.1
90	394.5	368.1	10.41	318.0	309.2
100	364.6	338.9	3.873	305.4	301.0
110	359.5	325.4	2.263	309.9	302.3
120	358.6	299.7	2.092	305.6	307.4
130	349.1	241.9	1.321	291.2	313.0
140	321.0	180.2	1.461	258.5	312.7
150	265.6	118.5	1.452	194.4	279.9
160	173.8	59.48	1.438	107.9	185.7
170	22.43	1.916	1.677	2.601	27.29
180	1.163	1.276	1.448	1.524	1.181
DEG	LUMINOUS INTENSITY:cd				

## Zonal Lumens

τ	φ total
0-10	24.08
10-20	129.5
20-30	342.1
30-40	645.6
40-50	1004
50-60	1384
60-70	1758
70-80	2112
80-90	2437
90-100	2736
100-110	3008
110-120	3255
120-130	3463
130-140	3622
140-150	3726
150-160	3778
160-170	3791
170-180	3791
UNIT: lm	

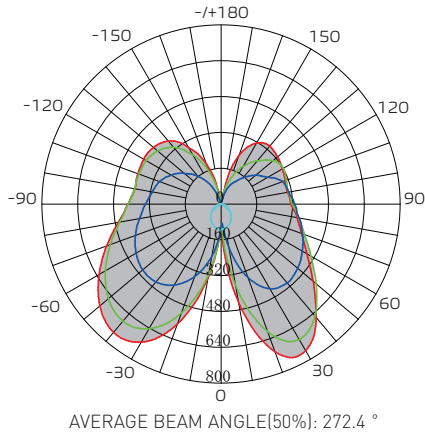
## Luminance cd/(m2)

G(DEG)	C0/180	C90/270
85	27573	1198
80	14833	901
75	10675	864
70	8652	890
65	7506	933
60	6793	949
55	6271	928
50	5854	917
45	5483	940

# Meta Surface

VERTICAL SURFACE LINEAR LUMINAIRE

## Distribution Diagram



Test Number: LV4-ITW4F-S  
 Lumens: 4026.71 Lm  
 Watts: 40 W  
 LPW: 102.38 Lm/W  
 CCT: 3000K

UNIT: cd  
 — C0/180, 336.9°  
 — C30/210, 336.4°  
 — C60/240, 319.0°  
 — C90/270, 97.4°

## Zonal Flux Diagram

τ	C0	C45	C90	C135	C180
10	443.0	290.7	109.8	292.8	330.5
20	700.6	493.9	100.0	448.8	569.0
30	755.7	595.9	86.62	551.8	711.5
40	660.5	591.5	70.30	592.0	748.0
50	536.5	533.1	53.46	581.7	707.5
60	442.9	467.4	37.41	541.0	629.4
70	382.5	411.2	23.03	488.9	544.0
80	344.3	365.8	10.38	434.2	466.3
90	312.2	332.9	1.705	395.4	417.6
100	301.9	317.4	1.529	373.1	392.1
110	306.3	317.8	1.502	364.6	395.9
120	316.0	298.9	1.560	347.6	400.1
130	329.3	253.5	1.601	316.1	394.9
140	338.5	209.6	1.650	263.3	367.8
150	315.5	156.1	1.646	183.9	290.1
160	228.3	103.0	1.587	89.29	186.5
170	32.66	7.607	1.443	3.554	26.60
180	1.348	1.567	1.511	1.533	1.375
DEG	LUMINOUS INTENSITY:cd				

## Zonal Lumens

τ	φ total
0-10	19.13
10-20	120.3
20-30	339.9
30-40	661.5
40-50	1042
50-60	1442
60-70	1837
70-80	2210
80-90	2554
90-100	2873
100-110	3169
110-120	3437
120-130	3662
130-140	3836
140-150	3952
150-160	4011
160-170	4026
170-180	4027
	UNIT: lm

## Luminance cd/(m2)

G(DEG)	C0/180	C90/270
85	16095	261
80	8474	255
75	5967	273
70	4779	288
65	4132	303
60	3786	320
55	3605	338
50	3567	355
45	3593	375