

# LED CANOPY

## Installation Guide

**WARNING**

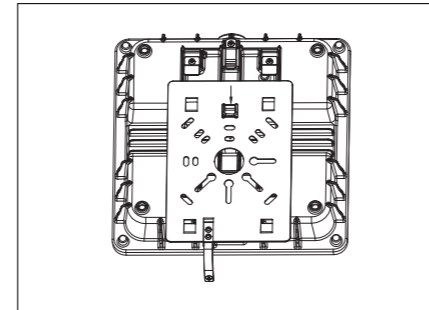
**PLEASE READ ALL INSTRUCTIONS BEFORE ATTEMPTING INSTALLATION**

- To prevent personal injury or product damage only licensed electricians should install.
- To avoid electric shock or component damage disconnect power before attempting installation or servicing.
- This product must be installed in accordance with the national electric code (NEC) and all applicable federal, state and local electric codes and safety standards.
- Disconnect product and allow cooling prior to servicing.
- Any alteration or modification of this product is expressly forbidden as it may cause serious personal injury, death, property damage and/or product malfunction.
- To prevent product malfunction and/or electrical shock this product must be properly grounded.
- This luminaire is designed to operate in ambient temperatures ranging from -40°c to 40°c and to be horizontally mounted with the LEDs facing down.
- This product is not available for several special environments, such as places with corrosive gas liquids or high pressure water vapor

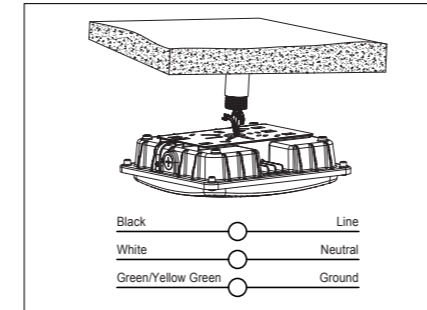
### Installation

#### 1. Pendant with 3/4 inch Conduit

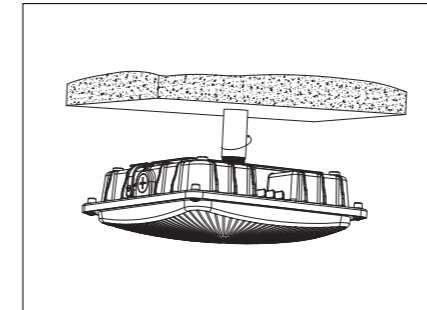
1. Loosen the screw on side of the light, removing the bracket from Canopy light by pulling it slightly out, just leaving the ring on bracket. ( See the Step 1 above)



2. Connect the wires threaded from conduit and Canopy. Black wire for Line, White for Neutral, Green/Yellow Green for Ground.

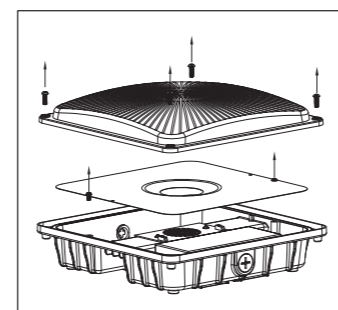


3. Screw the Conduit into the hole on top of Canopy light. Installation done.

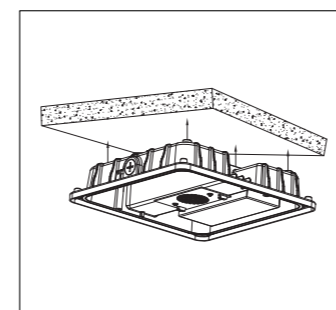


#### 2. Surface mount

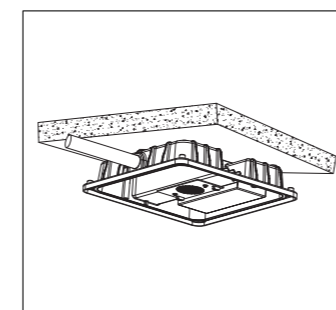
1. Remove the lens and metal plate by unscrewing the screws.



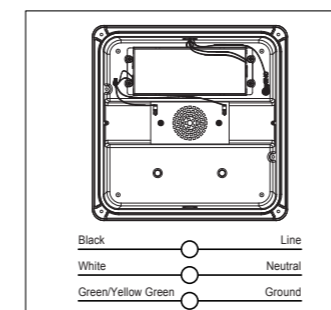
2. Cut off the wires through from 3/4" hole and plug the hole with provided Plug. Drill 4 holes on edge of fixture and fix it on the ceiling with using appropriate screws.



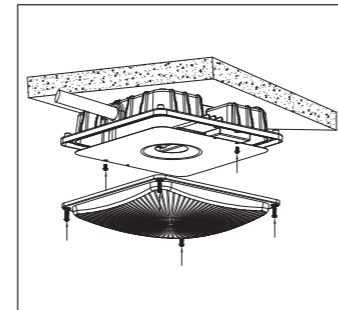
3. Remove 1/2" plug from direction you intend to feed conduit.



4. Disconnect the wires came from 3/4" hole and connect the wires came from 1/2" conduit with canopy. (White for Neutral, Black for Line, Green/Yellow Green for Ground)



5. Replace the metal plate and the lens, make sure no wires are pinched when replacing parts.



### WIRING DIAGRAM

For 0-10V dimming version, please check wiring diagram below.

