

FLOOD LIGHT(MFD11)



DESCRIPTION

MFD11 aims to provide customers with an economical, efficient, flexible and long-life floodlight. The low-profile and stylish exterior design can be well integrated into various architectural environments. Available in four sizes and multiple lumen packages from 15W-120W, this product also achieve up to 150lm/W efficiency. Reliable IP65 structural design, MFD11 is very suitable for general flood lighting of courtyards, driveways, buildings, billboards, etc.



SPECIFICATION FEATURES

Construction

- Die-cast aluminum optimize the best heat dissipation management as the main part of the fixture, which effectively improves the LED efficiency.
- Durable surface coating powder spraying and fully sealed tempered glass can extend the durability of the fixture.

Optics

- Optics(NEMA Type): 7Hx7V.
- Scalable Lumen Packages from 2,050 to 18,000 Lumens.
- The use of advanced refraction and reflection optical design concepts provides an optimal combination of vertical and horizontal illumination.
- The heat-resistant and impact-resistant toughened glass maximizes light extraction while obtaining a great night appearance.

LED Module

- Light engines are available in standard 3000K/4000K and 5000K (70 CRI) configurations.

Electrical

- Universal 120-277 VAC input voltage.
- Both drivers have a power factor >90%, THD <20%.
- Operating Temperature Range: -40°C - + 40°C (-40°F - + 104°F).

Control

- Photocell option.

Installation

- 1/2" NPS Knuckle, Slipfitter, Trunnion and Yoke are all available.

Lifespan

- Estimated 50,000-hour LED lifespan based on IES LM-80 results and TM-21 calculations.

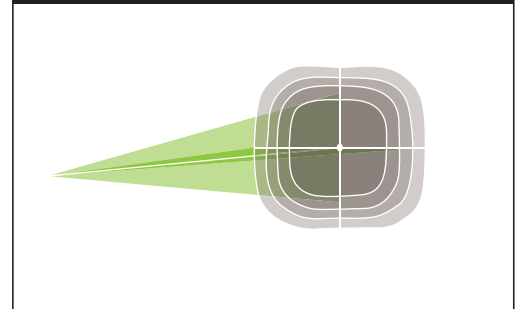
Warranty

- Five-year warranty.

Note

Actual performance may differ as a result of end-user environment and application. All values are design or typical values, measured under laboratory conditions at 25°C (±5°C) specifications subject to change without notice.

PHOTOMETRICS



STRUCTURAL DESIGN



PERFORMANCE DATA

SYSTEM WATTS	VOLTAGE	DIST.TYPE	CRI	LUMENS (3000K)	LPW (3000K)	LUMENS (4000K)	LPW (4000K)	LUMENS (5000K)	LPW (5000K)
15W	120-277V	7Hx7V	70	2050lm	137 lm/W	2100lm	140 lm/W	2100lm	140 lm/W
27W	120-277V	7Hx7V	70	3500lm	130 lm/W	3600lm	133 lm/W	3600lm	133 lm/W
40W	120-277V	7Hx7V	70	5700lm	143 lm/W	5800lm	145 lm/W	5800lm	145 lm/W
65W	120-277V	7Hx7V	70	9200lm	142 lm/W	9400lm	145 lm/W	9400lm	145 lm/W
85W	120-277V	7Hx7V	70	12000lm	141 lm/W	12500lm	147 lm/W	12500lm	147 lm/W
120W	120-277V	7Hx7V	70	17500lm	146 lm/W	18000lm	150 lm/W	18000lm	150 lm/W

ELECTRICAL DATA

Number Of Drivers	Driver Current (mA)	Nominal Power (W)	INPUT VOLTAGE (V)	CURRENT (Amps)
1	230	15	120	0.13
		15	208	0.07
		15	240	0.06
		15	277	0.05
1	450	27	120	0.23
		27	208	0.13
		27	240	0.11
		27	277	0.10
1	680	40	120	0.33
		40	208	0.19
		40	240	0.17
		40	277	0.14
1	980	65	120	0.54
		65	208	0.31
		65	240	0.27
		65	277	0.23
1	730	85	120	0.75
		85	208	0.43
		85	240	0.38
		85	277	0.32
1	960	120	120	1.00
		120	208	0.58
		120	240	0.50
		120	277	0.43

MOUNTING

1/2" Knuckle Mount(15W/27W/40W/65W)



Trunnion Mount(15W/27W/40W/65W)



Slipfitter Mount(85W/120W)



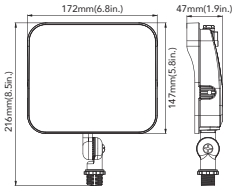
Yoke Mount(85W/120W)



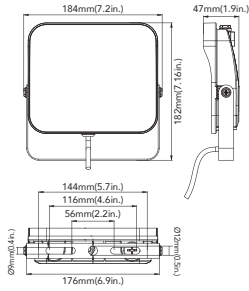
DIMENSIONS

unit: mm/inch

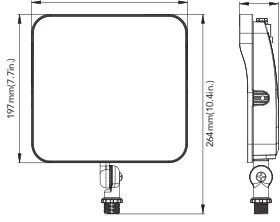
15W&27W&40W(Knuckle Mount)



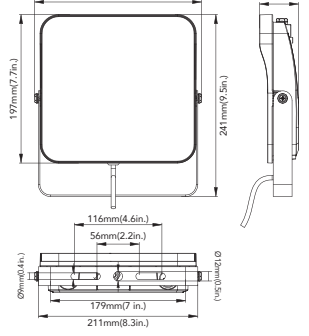
15W&27W&40W(Trunnion Mount)



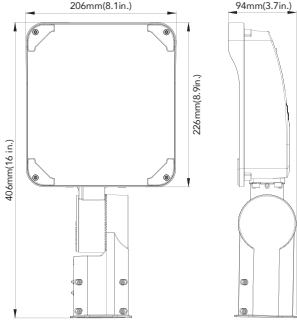
65W(Knuckle Mount)



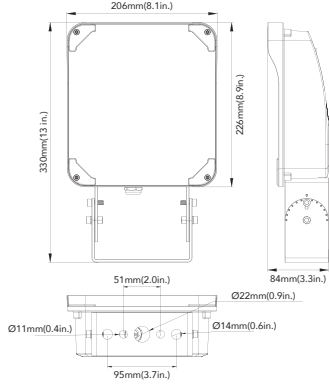
65W(Trunnion Mount)



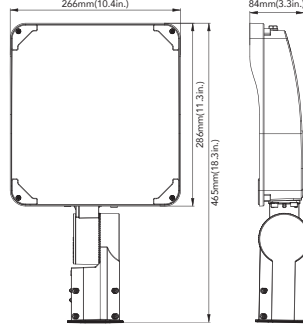
85W(Slipfitter Mount)



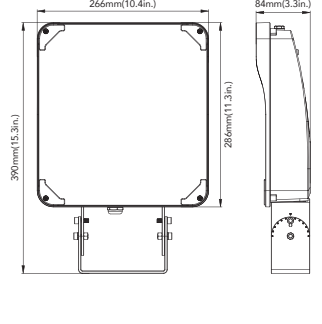
85W(Yoke Mount)



120W(Slipfitter Mount)



120W(Yoke Mount)



ORDERING GUIDE

Example:MFD1140W27V50KYYYYY

Fixture Type	Wattage	Voltage	CCT	Finish	Photocell (Option)	Mounting	Nema	Internal Code
MFD11 Flood Light series	15 15W 27 27W 40 40W 65 65W 85 85W 120 120W	27V 120-277V	40K 4000K 50K 5000K	D Dark Bronze B Black W White	P With Photocell Blank Without Photocell	TR ¹ Trunnion KN ¹ Knuckle YK ² Yoke SP ² Slipfitter	B77 7Hx7V	Blank Alphanumeric

Note: 1. 15W,27W,40W,65W only suitable for knuckle and trunnion.
2. 85W,120W only suitable for slipfitter and yoke.