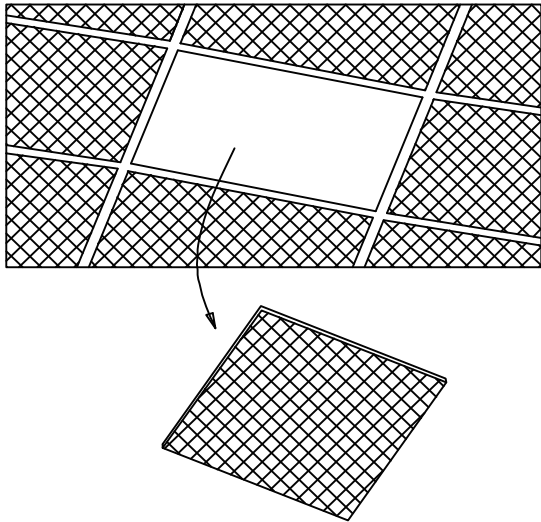


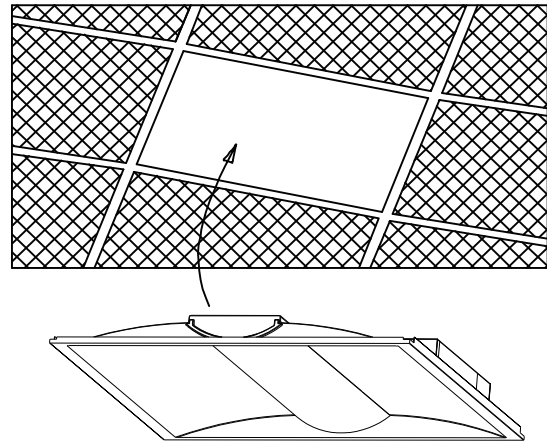
Installation

LED Troffer Light installation instruction

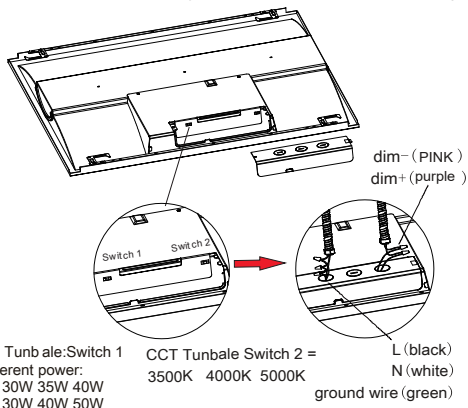
1. Remove 2x2 or 2x4 the from ceiling



2. Put on the LED troffer



3. open the power supply cover
adjust dip switch to the required power
connect the wires and lock
the power supply cover
(0-10V CCT&Watts adjustable isolated-driver)



4. Fixed wire hose on the troffer,
Then installation is completed.

