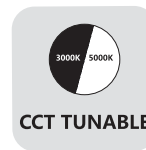
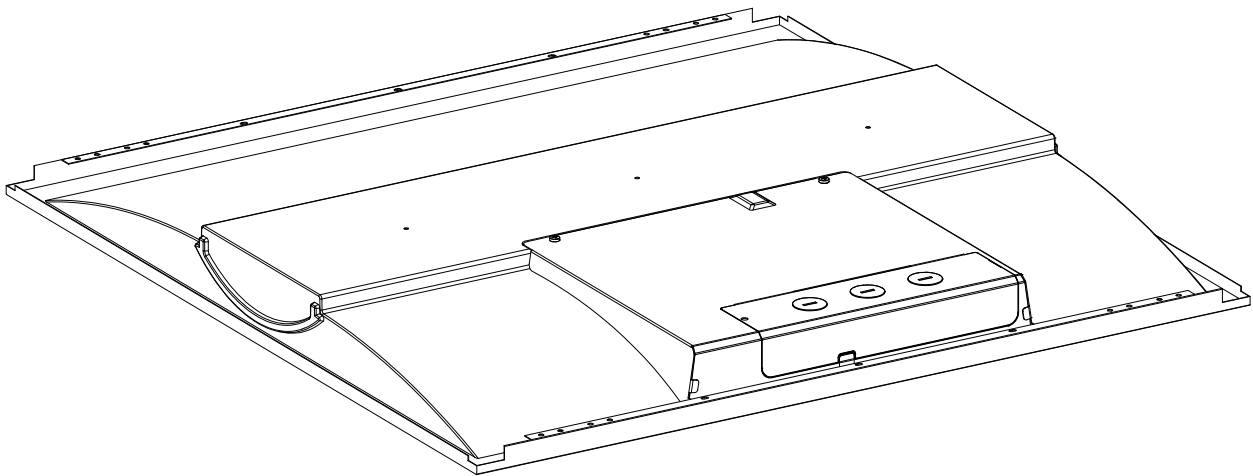
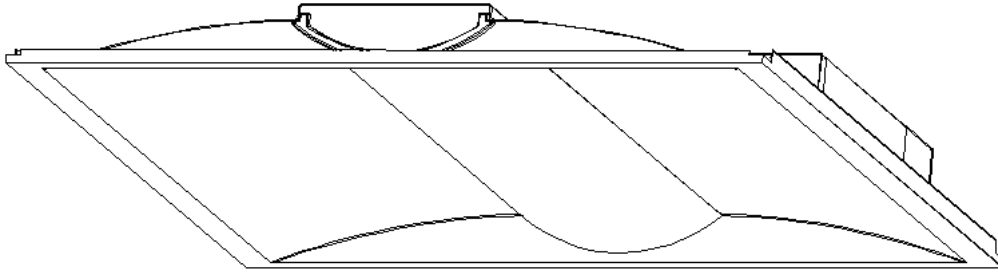




Power and CCT Tunable LED Troffer Light

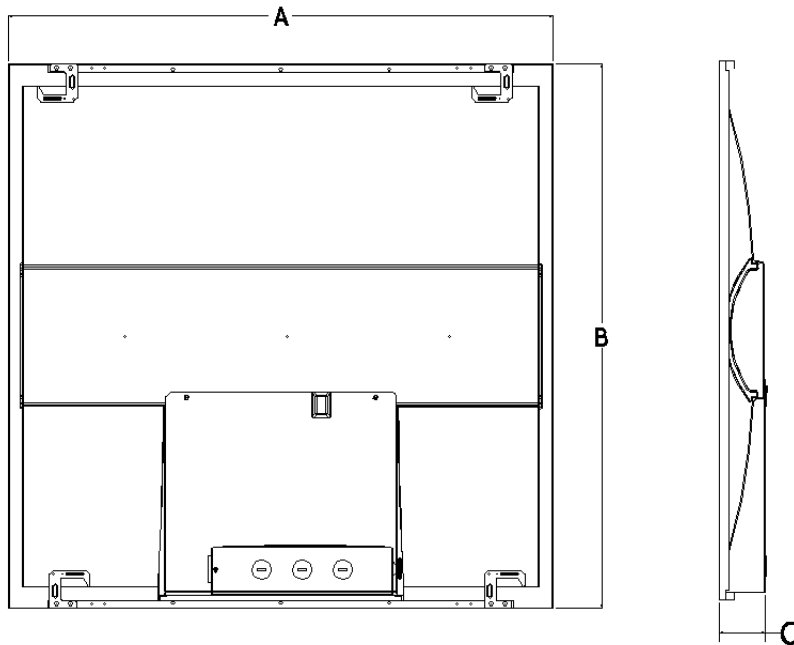
Product Appearance



Product Features

- 1. DIP Switch: 3 different Power and 3500K-4000K-5000K CCT tunable.
- 2. Smooth and comfortable light.
- 3. High lighting efficiency:> 130lm/W.
- 4. Ra>80, PF>0.95, THD<15%.
- 5. White Metal body, ensures durable quality and efficient heat dissipation.
- 6. High-quality 0-10V dimming isolated driver. High driver efficiency:>90%.
- 7. Smart options for bi-level dimming, motion sensor and emergency functions.
- 8. Convenient access to retrofit. Ideal for office, retail and other architectural spaces.
- 9. ETL and DLC 5.1 certified.
- 10. Five years' warranty.

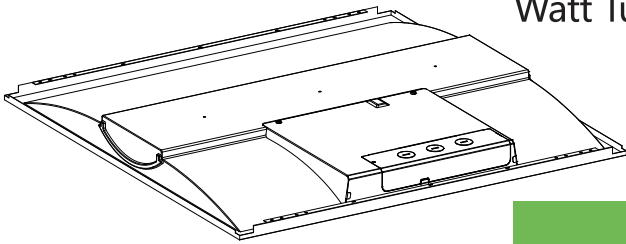
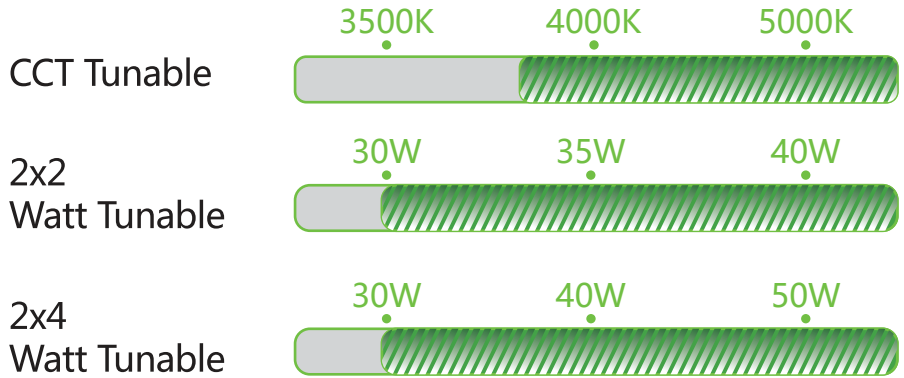
Product Dimension



size	Mode	A (inch)(mm)	B (inch)(mm)	C (inch)(mm)
2x2FT	OSL-TTR-22-40W-L	23.74" (603mm)	23.74" (603mm)	1.97" (50mm)
2x4FT	OSL-TTR-24-50W-L	47.76" (1213mm)	23.74" (603mm)	1.97" (50mm)

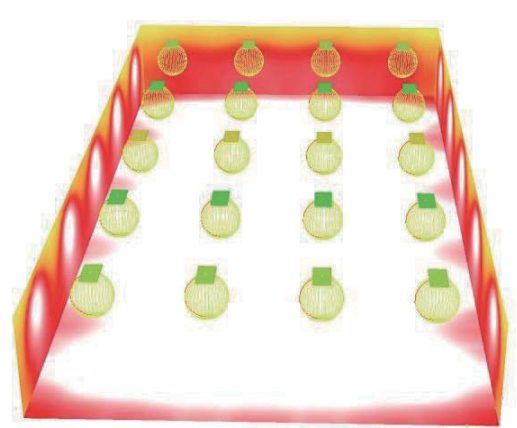
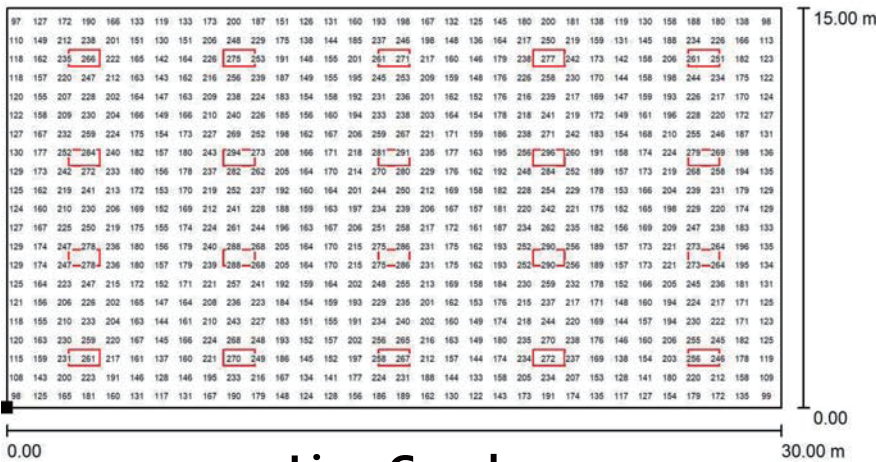
Specification

Mode	Power	Input Voltage	Dimmable	Input Current	PF	Light Efficacy	Ra	CCT
OSL-TTR-22-40W-L	30-35-40W	AC100-277V	0-10V	0.4A	>0.9	130lm/w	80	3500K-4000K-5000K
OSL-TTR-24-50W-L	30-40-50W	AC100-277V	0-10V	0.5A	>0.9	130lm/w	80	3500K-4000K-5000K



- 30W 3500K
- 30W 4000K
- 30W 5000K
- 35W 3500K
- 35W 4000K
- 35W 5000K
- 40W 3500K
- 40W 4000K
- 40W 5000K
- 50W 3500K
- 50W 4000K
- 50W 5000K

Simulation chart

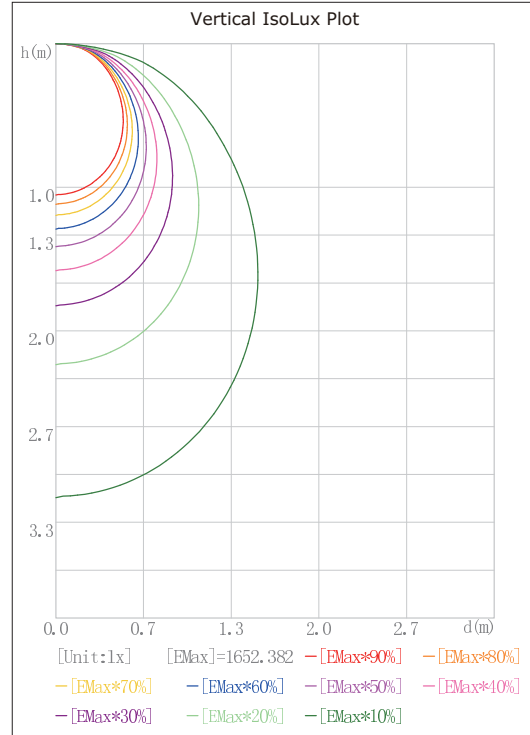
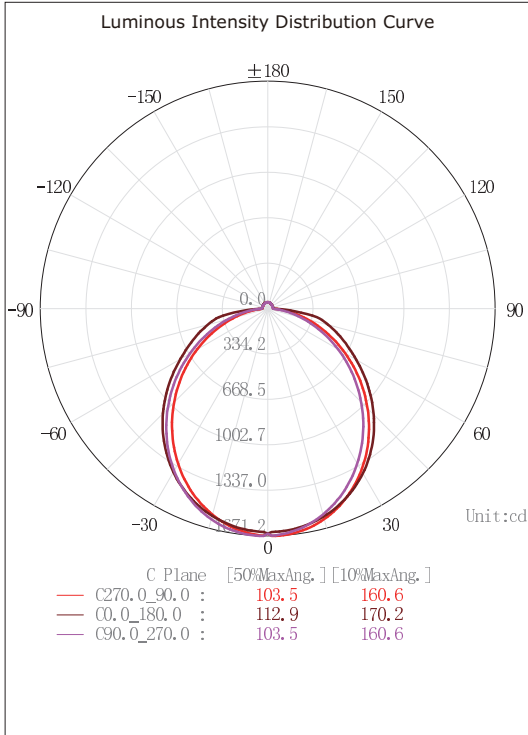


Line Graph

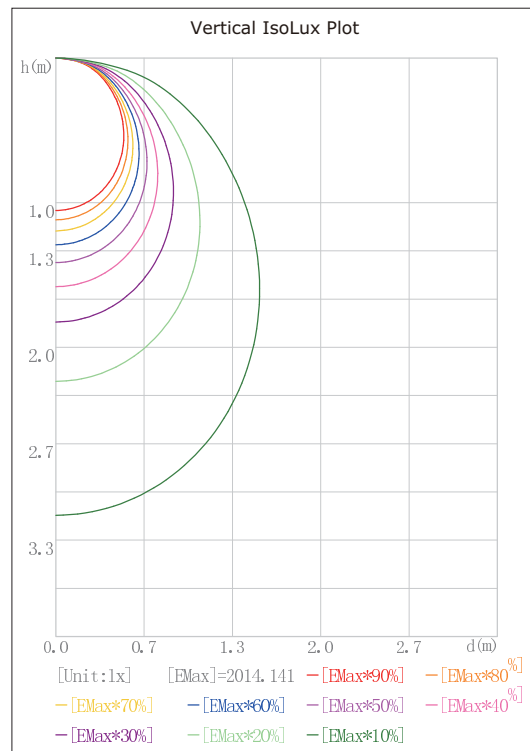
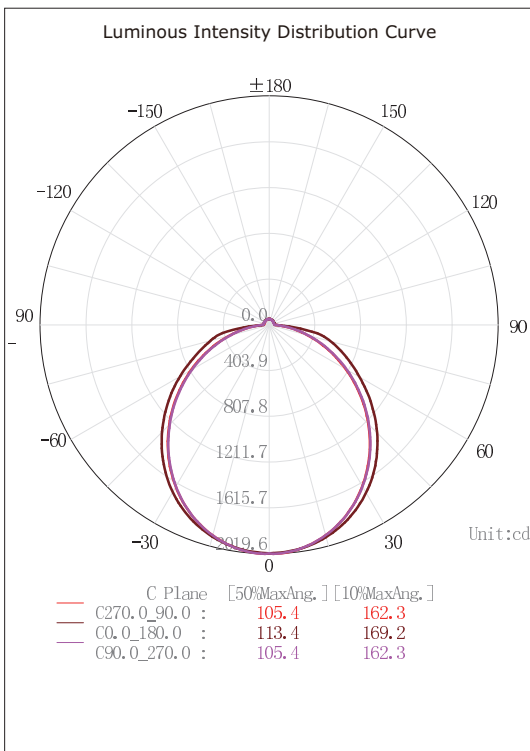
Thermal Imaging

Testing Report

2X2 LUMINOUS INTENSITY DISTRIBUTION DIAGRAM



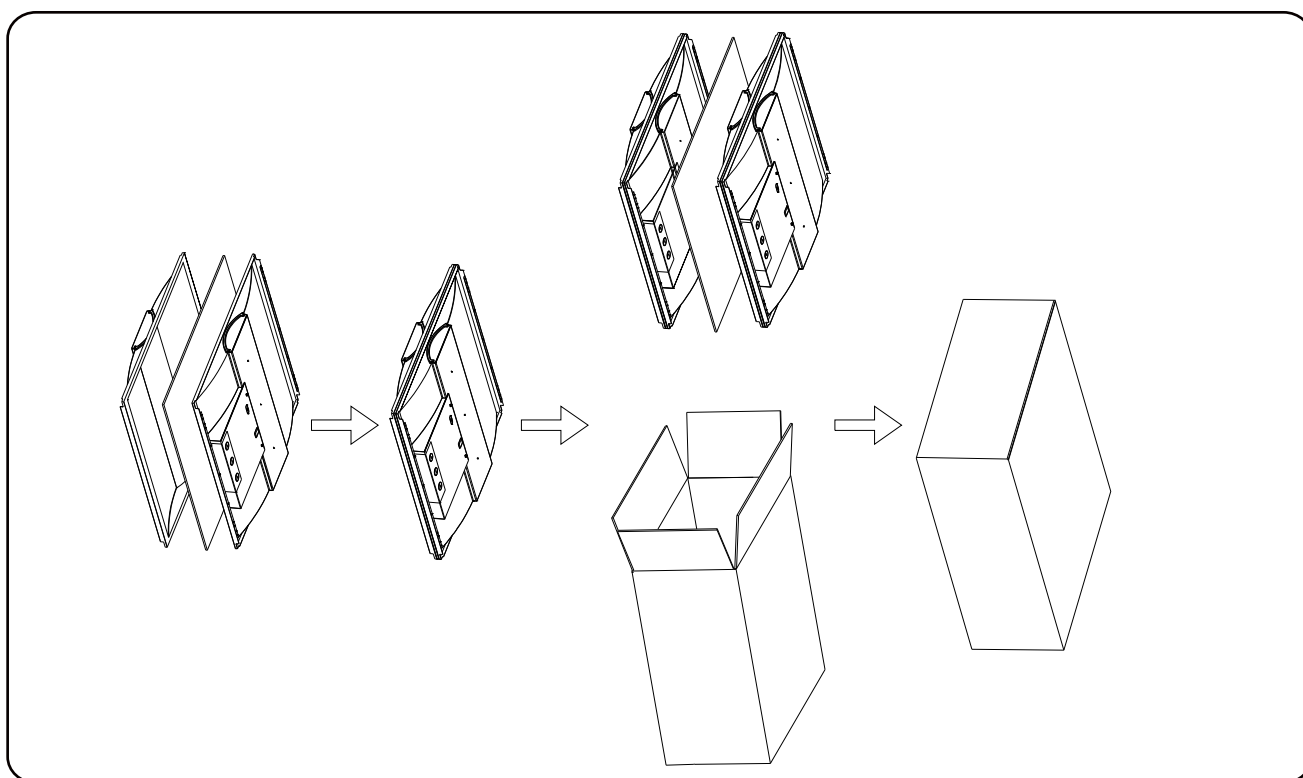
2X4 LUMINOUS INTENSITY DISTRIBUTION DIAGRAM



Packing /weight

Part NO.	Outer Carton Size (LxWxH)	Qty/Carton (pcs)	Net weight (kg)(lbs)	Gross weight (kg)(lbs)	20GP (QTY)	40HQ (QTY)
OSL-TTR-22-40W-L	(613*220*625mm) (24.13x8.66"x24.6")	4PCS	2.6Kg 5.7lbs	6.2Kg 13.6 lbs	1328	3040
OSL-TTR-24-50W-L	(1223*220*625mm) (48.15"x8.66"x24.6")	4PCS	4.6Kg 10.1lbs	10.5Kg 23.1lbs	644	1544

Packing



Power and CCT Tunable LED Troffer Light



Note

- 1.The installation and maintenance must be completed by electricians or professionals.
- 2.Please cut off the power before installation and maintenance.
- 3.The fixture is not allowed to be covered by thermally insulating material.
4. Please keep away from the corrosive substance,and keep the fixture dry and clean.
5. Working temperature:-4°F~104°F, storage temperature:-22°F~140°F.