

# SCONCE WING

Wall Mount | Architectural LED Linear



Combining superior esthetics and quality performance, Sconce Wing offers new opportunities to capture the beauty and benefits of architectural linear lighting. It offers two sizes with wattage and CCT adjustable for scalability. The sleek profile is designed to blend into clean, minimalist architectural spaces. Reaching 88 lumen / watt with 90+ CRI, we strive to challenge the highest visual comfort standard by offering ultra-thin semi-transparent vertical optics. Easy install in the field which is perfect for applications that include corridor, open offices, hospital, anywhere you want to make a statement.

It can be wall or surface mounted and adds a layer of light on the walls that feels less institutional, to soften facility ambiance and enable interior design cohesiveness. This innovative produce design brings both performance and aesthetics to any design applications.



## Feature

- Ultra-thin semi-transparent optics
- 12", 18" and 24" options, Shallow depth 2"
- Maximum 20W, Wattage selectable (50%/75%/100%)
- Up to 88lm/w, 90+ CRI
- CCT adjustable from 3000K, 3500K, 4000K
- 1-10V dim, 10% standard, 1% optional
- Wall mount or surface
- White or custom\* finish



## PERFORMANCE

Length	Lumen Package		
	High	Medium	Low
12"	1750LM, 20W	1300LM, 15W	850LM, 10W
18"	1750LM, 20W	1300LM, 15W	850LM, 10W
24"	1750LM, 20W	1300LM, 15W	850LM, 10W

All efficacy is ±5% base on 3000K. Check the IES file to gain the accurate data.

# SCONCE WING

Wall Mount | Architectural LED Linear

## STRUCTURE

### ► Light Guide

Ultra-thin semi-transparent light guide made of PMMA material, allows distribution of controlled light in all 3-dimensions to put light on both vertical and horizontal planes within the space.

### ► Construction

Housing: Extruded aluminum  
End Cap: Die cast aluminum  
Smooth Lens: Uniform acrylic lens  
Finish: Powder coat white or custom\*.

### ► Electrical

Min Internal LED Driver	It is powered by Class 2 high efficiency LED driver, with a standard 1-10V dimming that works with many types of controls. Continuous dims to 10% (standard), 1% (optional) . Tested Dimmers: LEVITON DD710, LUTRON NTSTV-DV, LEGRAND RH4FBL3PTC, LUTRON DVSTV, LEVITON IP710.
THD	<20%
Power Factor	>0.9
Input Voltage	Standard electronic drivers are UL recognized and available for 110-277V AC input voltage.

### ► LED System

CRI	Minimum 90 color rendering index
CCT	CCT adjustable from 3000K, 3500K, 4000K with a great color consistency.
LED	Minimum 50,000h with 87.8% of lumen maintenance in 25°C ambient temperature, in compliance with IES LM-80 testing measurements.
Thermal Management	Aluminum housing acting as the heat sink to maximize life.
Environment	damp rated for ambient operating temperature of -20°C to +40°C (-4° to +104°F)

### ► Mounting

Horizontal or vertical orientation. Wall mount or surface.

### ► Approvals

- cULus listed-Pending
- Suitable for damp locations
- Designed for indoor use only
- Five-year warranty for parts and components. (Labor not included)

### ► Optional Function

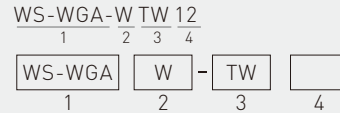
**Emergency option** Optional high voltage 8W emergency LED driver ( Model#EM-H08170-LBF) can be provided. When AC power fails, it immediately switches to the emergency mode, operating for lighting up to 120 minutes. When AC power is restored, it automatically returns to the charging mode which meets critical life-safety lighting requirements.

For more info, please visit our website or contact sales.  
Emergency Lumen Output:

<b>FIXTURE EFFICACY</b>	<b>OUTPUT POWER 8W</b>
88lm/w	704 Lumens

## PRODUCT ORDERING GUIDE

### Sample



### 1. Base Model

WS-WGA Wall Sconce Wing Series

### 2. Mounting

W Wall Mount

### 3. CCT

TW CCT Adjustable 3000K / 3500K / 4000K

### 4. Length

12 12"  
 18 18"  
 24 24"

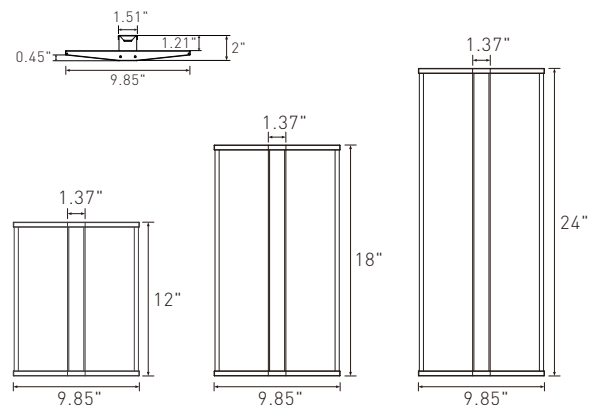
## OPTIONAL ORDERING GUIDE

### Optional Functions

Emergency\*

\*Additional cost and/or lead time on customized fixtures may apply. Some fixtures require an MOQ. Please contact your sales rep for more information.

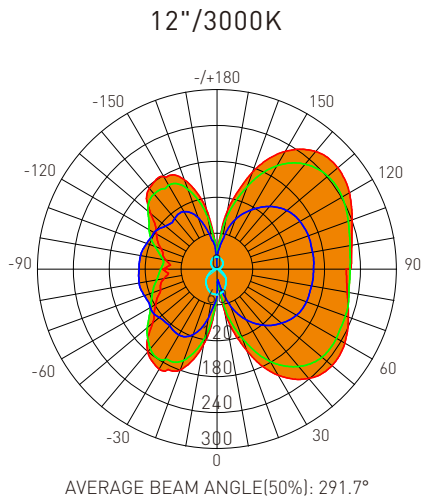
## DIMENSIONS



# SCONCE WING

Wall Mount | Architectural LED Linear

## DISTRIBUTION DIAGRAM



Lumens: 1705.34 Lm  
 Watts: 19.89 W  
 LPW: 85.73 Lm/W  
 CCT: 3000K

UNIT: cd  
 — C0/180, 357.8 °  
 — C30/210, 357.5 °  
 — C60/240, 355.5 °  
 — C90/270, 96.0 °

Zonal Flux Diagram

τ	C0	C45	C90	C135	C180
5	29.11	21.74	41.80	68.86	85.29
10	69.27	41.94	40.61	101.7	127.2
15	109.7	72.08	39.20	126.5	157.5
20	144.0	97.30	36.17	146.7	179.4
25	178.8	121.3	32.93	156.2	186.7
30	205.0	143.8	29.70	157.8	193.5
35	224.6	163.2	26.81	158.1	188.6
40	238.6	178.3	23.92	162.0	180.7
45	247.7	188.4	20.95	159.9	164.1
50	250.9	195.2	17.26	153.5	140.6
55	250.6	200.2	13.48	147.8	128.3
60	246.9	204.7	9.706	146.0	118.4
65	240.8	207.6	8.141	143.1	109.5
70	233.7	208.3	6.576	139.5	100.2
75	226.7	207.0	5.024	137.1	97.74
80	221.0	205.2	3.567	134.8	89.70
85	217.6	205.7	2.122	130.5	81.90
90	216.3	205.4	0.6775	126.8	82.76
95	225.7	206.6	2.282	129.9	78.34
100	228.7	207.0	3.886	133.5	86.67
105	233.3	209.4	5.491	138.0	93.97
110	240.4	211.3	7.097	142.8	99.35
115	247.9	212.8	8.704	146.7	109.6
120	255.5	213.3	10.31	150.9	117.0
125	260.9	212.0	11.73	154.8	125.5
130	263.8	208.8	12.98	157.4	145.1
135	262.8	201.7	14.22	158.4	167.3
140	256.8	192.3	15.46	160.5	176.3
145	244.7	179.6	16.43	160.1	180.5
150	227.2	163.7	17.23	161.3	178.7
155	203.6	143.1	18.00	155.9	173.9
160	171.9	119.5	18.78	139.8	158.7
165	133.5	96.28	19.41	114.5	133.8
170	97.90	68.54	20.00	80.47	100.4
175	49.01	38.06	20.59	47.06	50.56
180	21.18	21.18	21.18	21.18	21.38
DEG	LUMINOUS INTENSITY:cd				

Zonal Lumens

τ	φ total
0-5	0.9954
5-10	5.181
10-15	14.80
15-20	31.48
20-25	56.11
25-30	88.94
30-35	129.8
35-40	178.0
40-45	232.3
45-50	291.4
50-55	354.3
55-60	420.2
60-65	488.5
65-70	558.5
70-75	629.6
75-80	701.0
80-85	772.7
85-90	844.8
90-95	917.0
95-100	988.9
100-105	1061
105-110	1132
110-115	1204
115-120	1273
120-125	1341
125-130	1406
130-135	1467
135-140	1523
140-145	1572
145-150	1615
150-155	1649
155-160	1674
160-165	1691
165-170	1701
170-175	1705
175-180	1705
	UNIT: lm

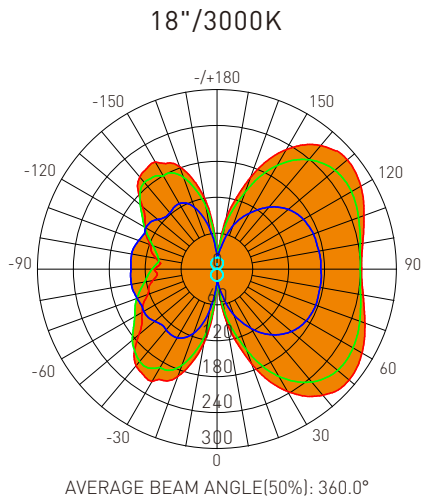
Luminance cd/(m2)

G(DEG)	C0/180	C90/270
85	43804	427
80	22332	360
75	15368	341
70	11989	337
65	9997	338
60	8662	341
55	7664	412
50	6849	471
45	6145	520

# SCONCE WING

Wall Mount | Architectural LED Linear

## DISTRIBUTION DIAGRAM



Lumens: 1872.83 Lm  
 Watts: 19.46 W  
 LPW: 96.24 Lm/W  
 CCT: 3000K

UNIT: cd  
 — C0/180, 360.0°  
 — C30/210, 360.0°  
 — C60/240, 360.0°  
 — C90/270, 360.0°

Zonal Flux Diagram

τ	C0	C45	C90	C135	C180
5	39.44	30.78	19.83	50.47	69.50
10	85.88	56.38	19.60	91.31	124.0
15	125.8	87.38	19.33	122.9	160.8
20	167.7	113.9	18.73	148.0	190.5
25	206.2	142.1	18.10	164.0	205.8
30	236.0	168.0	17.46	169.5	217.5
35	259.3	189.3	16.45	169.5	215.6
40	275.3	206.6	15.44	177.4	210.7
45	285.8	217.2	14.40	179.5	195.7
50	288.3	225.0	13.10	174.1	170.5
55	285.8	230.0	11.77	164.8	153.3
60	280.0	232.3	10.45	159.2	144.6
65	272.1	232.0	8.805	152.5	136.0
70	263.1	230.4	7.165	144.0	122.9
75	254.7	228.1	5.531	136.8	118.1
80	248.1	225.2	3.960	131.7	108.9
85	243.2	224.1	2.396	129.9	100.6
90	241.7	222.2	0.8314	128.9	108.8
95	242.9	223.4	2.405	136.2	95.89
100	247.3	223.8	3.979	143.8	103.5
105	253.8	225.8	5.557	148.0	113.5
110	261.5	227.3	7.173	151.7	118.6
115	270.2	227.9	8.794	155.8	130.1
120	277.6	227.3	10.41	161.0	138.5
125	282.6	224.4	12.19	165.4	147.1
130	284.5	219.1	13.38	168.7	162.2
135	280.3	209.5	14.50	172.2	187.1
140	269.8	196.9	15.61	171.1	201.2
145	253.7	180.8	17.12	165.7	205.4
150	230.5	160.6	17.78	164.5	207.0
155	200.6	135.8	18.32	160.5	195.5
160	162.3	108.2	18.86	146.2	181.9
165	121.5	83.61	19.64	122.4	154.7
170	82.87	52.39	19.76	92.53	120.2
175	36.90	28.53	19.80	53.63	69.53
180	19.84	19.84	19.84	19.84	19.67
DEG	LUMINOUS INTENSITY:cd				

Zonal Lumens

τ	φ total
0-5	0.7478
5-10	4.726
10-15	14.58
15-20	32.22
20-25	59.03
25-30	95.31
30-35	141.1
35-40	195.7
40-45	257.7
45-50	325.3
50-55	397.3
55-60	472.6
60-65	549.8
65-70	628.5
70-75	707.7
75-80	786.9
80-85	866.1
85-90	945.5
90-95	1025
95-100	1103
100-105	1182
105-110	1260
110-115	1337
115-120	1413
120-125	1487
125-130	1557
130-135	1623
135-140	1683
140-145	1736
145-150	1780
150-155	1815
155-160	1841
160-165	1859
165-170	1868
170-175	1872
175-180	1873
	UNIT: lm

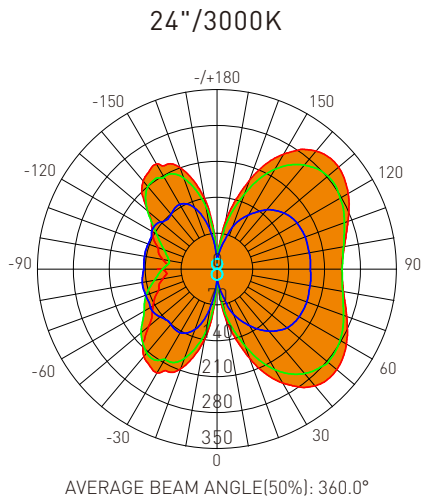
Luminance cd/(m2)

G(DEG)	C0/180	C90/270
85	34153	336
80	17487	279
75	12047	262
70	9416	256
65	7880	255
60	6853	256
55	6099	251
50	5491	249
45	4947	249

# SCONCE WING

Wall Mount | Architectural LED Linear

## DISTRIBUTION DIAGRAM



Lumens: 1987.0 Lm  
 Watts: 19.34 W  
 LPW: 102.74 Lm/W  
 CCT: 3000K

UNIT: cd  
 — C0/180, 360.0°  
 — C30/210, 360.0°  
 — C60/240, 360.0°  
 — C90/270, 360.0°

Zonal Flux Diagram

τ	C0	C45	C90	C135	C180
5	45.12	35.10	20.98	55.95	77.25
10	98.35	61.48	20.75	102.1	138.0
15	140.4	100.4	20.47	136.2	176.3
20	184.1	127.8	19.85	162.1	206.7
25	225.4	157.8	19.19	177.8	221.6
30	256.4	184.6	18.53	182.6	233.7
35	280.9	206.9	17.55	181.4	229.6
40	297.4	224.0	16.57	189.7	222.1
45	304.8	235.2	15.56	188.3	204.0
50	305.1	242.7	14.29	178.0	174.2
55	300.0	246.5	12.98	163.9	154.6
60	291.3	246.6	11.67	153.7	144.0
65	280.5	244.0	9.859	143.0	134.4
70	269.4	240.3	8.047	133.9	121.9
75	258.9	236.9	6.243	127.8	117.1
80	250.4	232.9	4.501	123.1	107.2
85	245.2	231.6	2.766	124.2	98.27
90	243.1	229.4	1.031	126.0	116.4
95	245.6	231.7	2.675	134.8	96.74
100	252.2	233.0	4.319	144.0	107.3
105	260.9	236.9	5.967	150.5	117.9
110	272.0	240.3	7.646	157.3	123.0
115	284.0	242.6	9.330	165.6	136.1
120	295.3	243.9	11.01	174.2	145.8
125	304.2	243.4	12.57	181.1	156.2
130	309.5	239.5	13.86	188.5	176.3
135	208.8	231.9	15.13	194.4	207.3
140	300.5	219.7	16.39	195.1	224.3
145	285.2	202.3	17.59	189.2	232.2
150	258.6	181.1	18.37	189.5	236.7
155	226.5	153.6	19.10	186.8	226.3
160	183.6	122.8	19.83	171.2	210.4
165	138.2	94.43	20.53	144.4	179.2
170	92.67	56.27	20.72	111.1	139.3
175	41.60	31.30	20.84	63.97	77.83
180	20.97	20.97	20.97	20.97	20.63
DEG	LUMINOUS INTENSITY:cd				

Zonal Lumens

τ	φ total
0-5	0.8098
5-10	5.237
10-15	16.22
15-20	35.69
20-25	65.08
25-30	104.6
30-35	154.2
35-40	212.9
40-45	279.0
45-50	350.7
50-55	426.5
55-60	504.9
60-65	584.9
65-70	665.7
70-75	746.8
75-80	827.6
80-85	908.6
85-90	990.0
90-95	1071
95-100	1152
100-105	1234
105-110	1315
110-115	1396
115-120	1476
120-125	1556
125-130	1632
130-135	1705
135-140	1771
140-145	1830
145-150	1881
150-155	1921
155-160	1951
160-165	1971
165-170	1982
170-175	1986
175-180	1987
	UNIT: lm

Luminance cd/(m2)

G(DEG)	C0/180	C90/270
85	24253	274
80	12431	223
75	8624	208
70	6789	203
65	5722	201
60	5023	201
55	4510	195
50	4092	192
45	3716	190