

WRAPAROUND LIGHT

■ INSTALLATIONS

❖ Surface Mounting

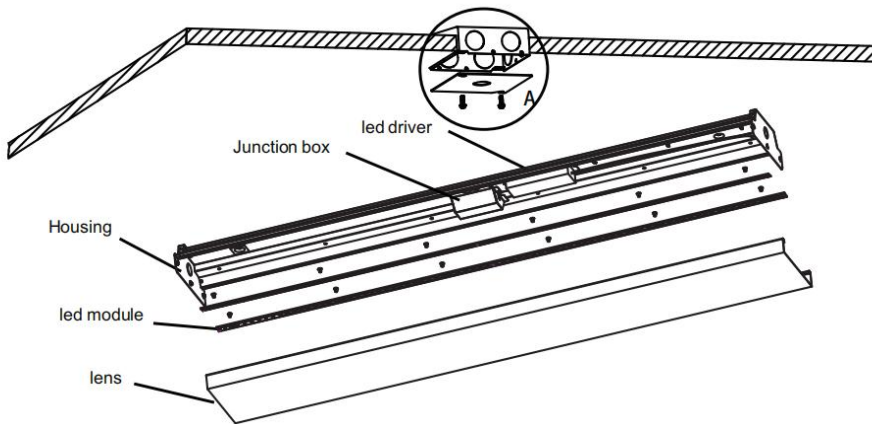


Figure 1
Concealed outlet box

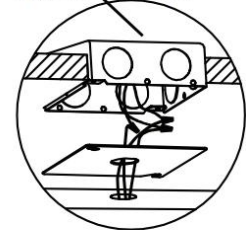
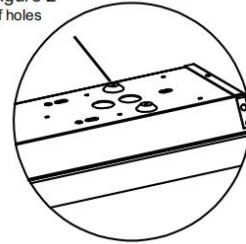


Figure 2
Knock-off holes



Step1.Remove product from packaging.

Step2.Remove lens by pulling from one side of the fixture and hinge on the other.

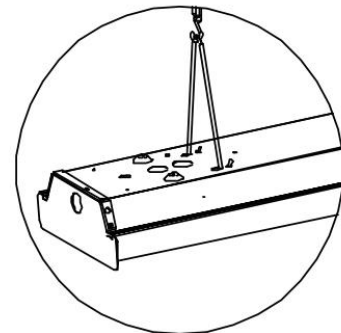
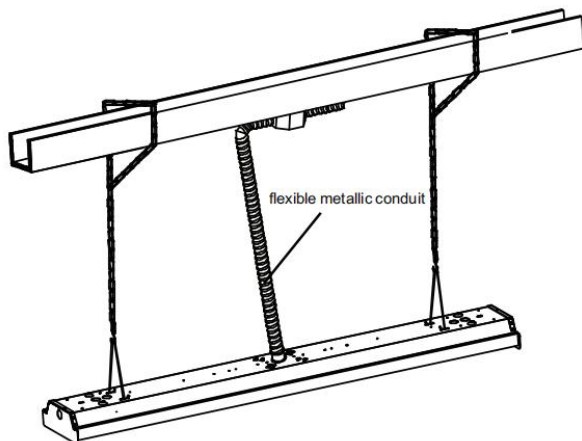
Step3.For mounting, using the provided mounting holes on each end of the fixture housing.

Step4.Make electrical connections according to code.

Step5.Install channel cover.

Step6.Install lens on one side of the fixture and rotate to engage the opposite side.

❖ Surface Mounting



Step1.Remove product from packaging.

Step2.Remove lens by pulling from one side of the fixture and hinge on the other.

Step3.For mounting, using the provided mounting holes on each end of the fixture housing.

Step4.Make electrical connections according to code.

Step5.Install channel cover.

Step6.Install lens on one side of the fixture and rotate to engage the opposite side.