

# LED LINEAR HIGHBAY - LHBC SERIES

## Introduction

- The LHBC Linear High Bay, is a super compact design using die-cast housing, with the clean and integral structure. Making it saving a lot of shipping cost and easier to install.
- Standard 6,10KV surge protection, making it steady running under the poor power condition.
- It delivers up to 170 lumens per watt for efficiency and the highest lumen output reaches to 71,920lm.
- The whole family with two different sizes. Motion sensor and remote controller are available. Also emergency battery back up is optional.
- It widely used for warehouse and storage, industrial facilities, sports facilities, gyms and etc.



## Features

### Construction

- ◆ LHBC linear high bay features a die-cast aluminum housing. Powder coat corrosion resistant finish, with High Transmittance polycarbonate lens.

### Electrical:

- ◆ 0-10V dimmable driver, which can dim from 100% down to off.
- ◆ Input voltage 120-277V/277-480V for US market, 120-347V for Canada market, and 50/60Hz.
- ◆ Designed to withstand up to L/N-PE:10kV,L-N:6kV surge(120-277V/120-347V/277-480V).

### CRI:

- ◆ >80 is standard.

### Optics :

- ◆ High quality polycarbonate lens protects LEDs. UGR <28 meet DLC premium.



### Finish :

- ◆ White color is standard.

### Ambient Temperature:

- ◆ -40° F (-40° C) to 122° F (50° C)

### Listing :

- ◆ UL listed, meet U.S. and Canada standards. Suitable for dry locations. DesignLights Consortium® (DLC) Premium qualified.

### Warranty :

- ◆ 5-year limited warranty. Complete warranty terms located at: <https://xsylights.com/warranty/>

## Ordering Guide

**EXAMPLE:**X-LHBC(115/130/155)W-(40/50)KLV-SEM;X-LHBC210W-50KHV

Brand X	Product series LHBC	Wattage XXXW	CCT XXX	Input Voltage Y	Sensor X	Emergency Battery Y	Product code X
X	LHBC	90W 115W 180W 240W 270W 360W (90/105/130)W (115/130/155)W (155/180/210)W (240/270/310)W (310/360/420)W	40K=4000K 50K=5000K (40/50)K=4000K/5000K	LV=120-277V/347V HV=277-480V	S=with Motion sensor or Daylight sensor Blank=without Motion sensor or Daylight sensor	Blank=without emergency E=with emergency	Internal code M - Medium Size Default Lumen L - Large Size Default Lumen H - High Lumen

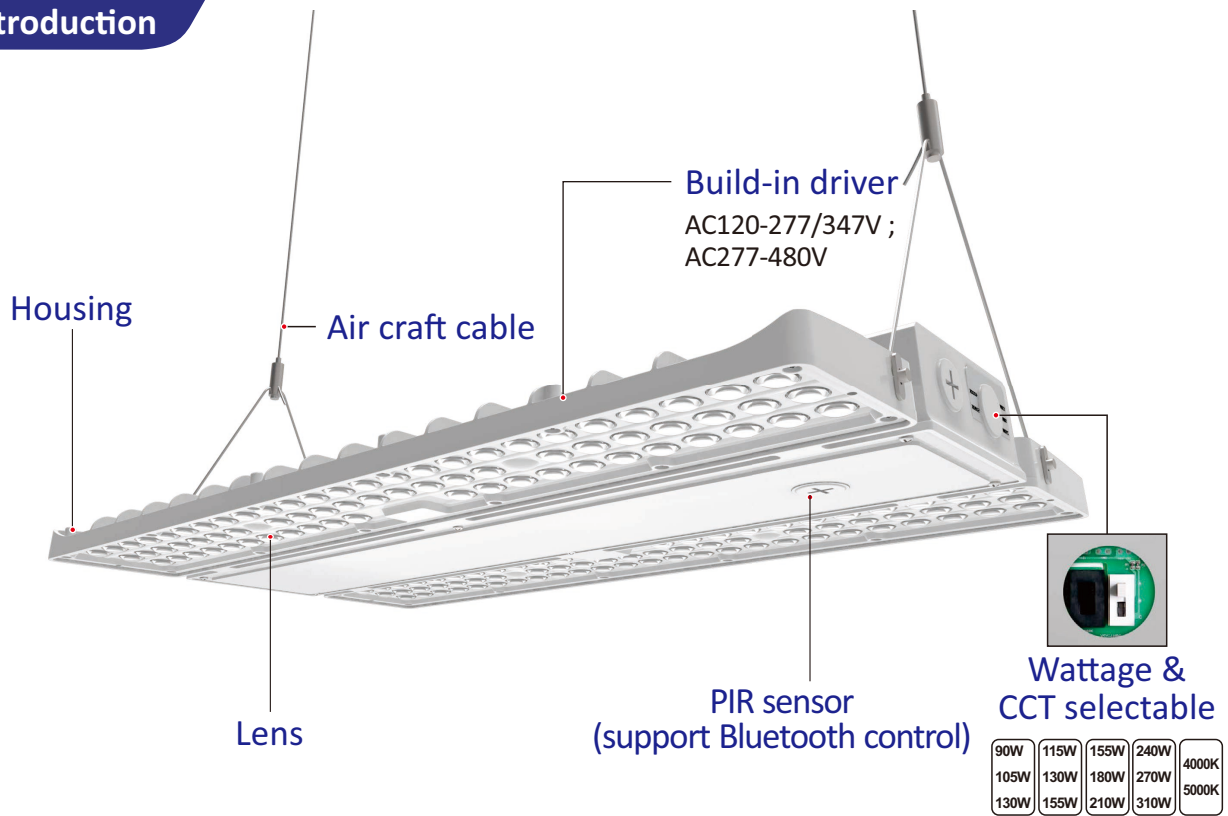
## Specification

**Note:** The models marked with \* are the main selling and stocking models.

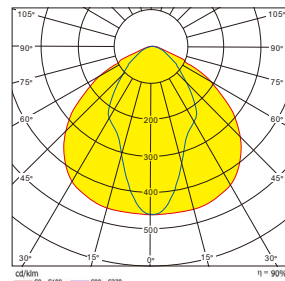
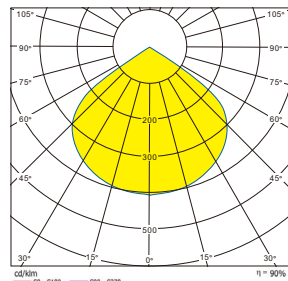
Size	Model	Wattage	Lumen @50K @150lm/W 120-277V/ 120-347V	Lumen @50K @150lm/W 277-480V	CCT
Medium 1.2FT	X-LHBC90W-XXKLV/HV-XY	90W	13500lm	13000lm	40k or 50k
	X-LHBC115W-XXKLV/HV-XYM	115W	17250lm	16750lm	
	X-LHBC180W-XXKLV/HV-XYM	180W	27000lm	26500lm	
	*X-LHBC(90/105/130)W-XXKLV/HV-XY	90W/105W/130W	Max. 20020lm	Max. 19520lm	40k/50k selectable
	*X-LHBC(115/130/155)W-XXKLV/HV-XYM	115W/130W/155W	Max. 23250lm	Max. 22750lm	
	*X-LHBC(155/180/210)W-XXKLV/HV-XYM	155W/180W/210W	Max. 31500lm	Max. 31000lm	
	X-LHBC(90/105/130)W-(40/50)KLV/HV-XY	90W/105W/130W	Max. 20020lm	Max. 19520lm	
	X-LHBC(115/130/155)W-(40/50)KLV/HV-XYM	115W/130W/155W	Max. 23250lm	Max. 22750lm	
	X-LHBC(155/180/210)W-(40/50)KLV/HV-XYM	155W/180W/210W	Max. 31500lm	Max. 31000lm	
Large 1.7FT	X-LHBC240W-XXKLV/HV-XYL	240W	36000lm	35500lm	40k or 50k
	X-LHBC270W-XXKLV/HV-XYL	270W	40500lm	40000lm	
	*X-LHBC(240/270/310)W-XXKLV/HV-XYL	240W/270W/310W	Max. 46500lm	Max. 46000lm	
	X-LHBC(240/270/310)W-(40/50)KLV/HV-XYL	240W/270W/310W	Max. 46500lm	Max. 46000lm	40k/50k selectable
Medium (combined) 2.4FT	X-LHBC360W-XXKLV/HV-XYM	360W	54000lm	53500lm	40k or 50k
	*X-LHBC(310/360/420)W-XXKLV/HV-XYM	310W/360W/420W	Max. 63840lm	Max. 62500lm	
	X-LHBC(310/360/420)W-(40/50)KLV/HV-XYM	310W/360W/420W	Max. 63840lm	Max. 62500lm	40k/50k selectable

Size	Model	Wattage	Lumen @50K @170lm/W 120-277V/ 120-347V	CCT
Medium 1.2FT	*X-LHBC(115/130/155)W-XXKLV-XYH	115W/130W/155W	Max. 26800lm	40k or 50k
	*X-LHBC(155/180/210)W-XXKLV-XYH	155W/180W/210W	Max. 36200 lm	
	X-LHBC(115/130/155)W-(40/50)KLV-XYH	115W/130W/155W	Max. 26800 lm	40k/50k selectable
	X-LHBC(155/180/210)W-(40/50)KLV-XYH	155W/180W/210W	Max. 36270 lm	
Large 1.7FT	*X-LHBC(240/270/310)W-XXKLV-XYH	240W/270W/310W	Max. 52910 lm	40k or 50k
	X-LHBC(240/270/310)W-(40/50)KLV-XYH	240W/270W/310W	Max. 53500 lm	40k/50k selectable
Medium (combined) 2.4FT	*X-LHBC(310/360/420)W-XXKLV-XYH	310W/360W/420W	Max. 71920 lm	40k or 50k
	X-LHBC(310/360/420)W-(40/50)KLV-XYH	310W/360W/420W	Max. 71200 lm	40k/50k selectable

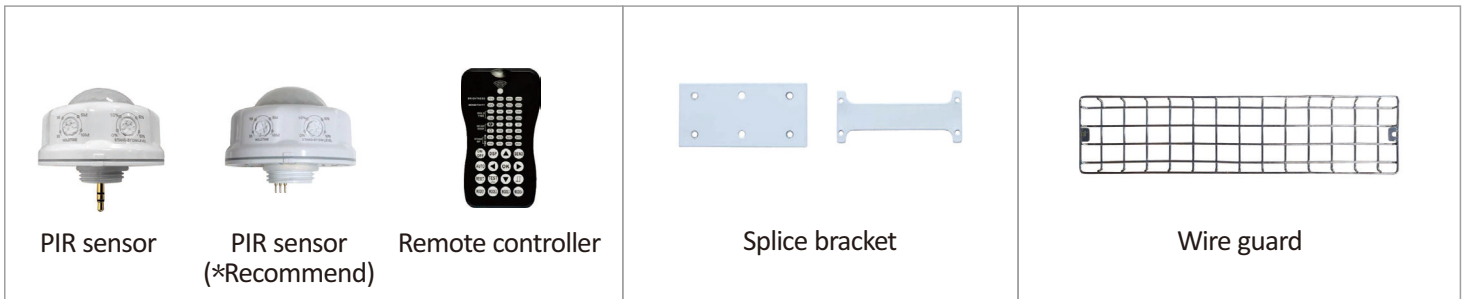
## Brief introduction

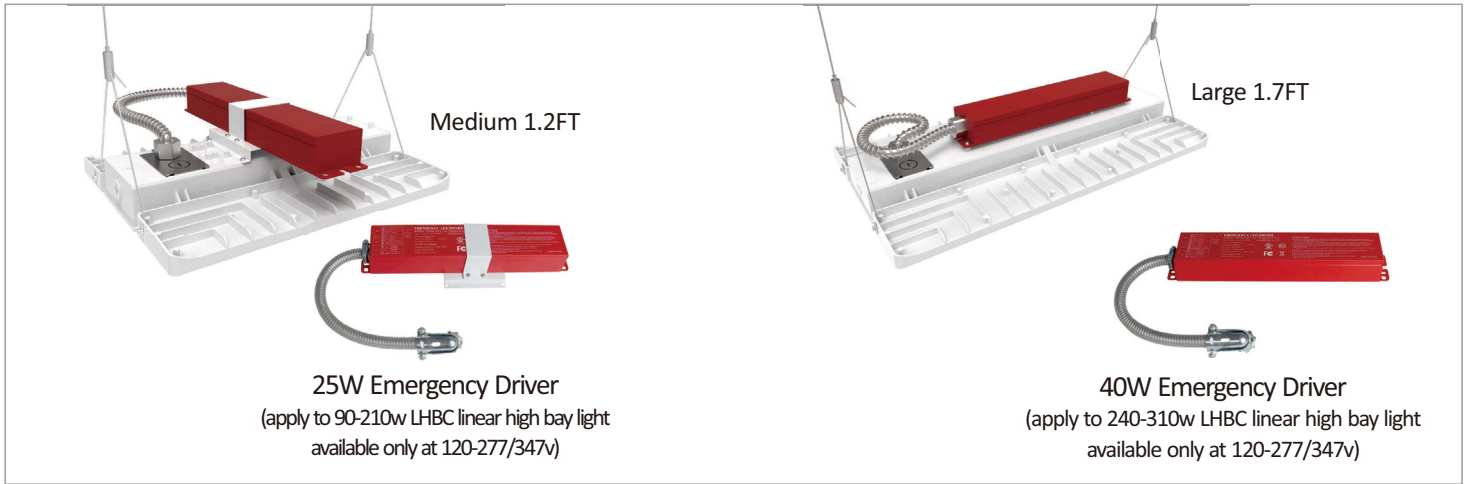


## Photometric Diagrams



## Accessories





**Note:** The combined medium luminaire does not support the emergency function.

## Installation Types



Chain suspending  
mount kit  
(Standard)



Surface mount kit  
(Order separately)



Pendant & surface  
installation box  
(Order separately)

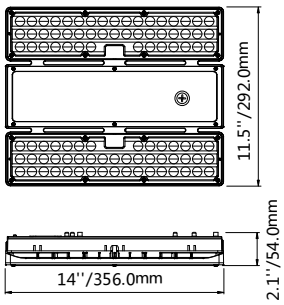
## Electrical data

Wattage/Current (A)	Voltage (V)					
	120V	208V	240V	277V	347V	480V
90W	0.75	0.43	0.38	0.32	0.26	0.19
115W	0.96	0.55	0.48	0.42	0.33	0.24
130W	1.08	0.63	0.54	0.47	0.37	0.27
155W	1.29	0.75	0.65	0.56	0.45	0.32
180W	1.50	0.87	0.75	0.65	0.52	0.38
210W	1.75	1.01	0.88	0.76	0.61	0.44
240W	2.00	1.15	1.00	0.87	0.69	0.50
270W	2.25	1.30	1.13	0.97	0.78	0.56
310W	2.58	1.49	1.29	1.12	0.89	0.65
360W	3.00	1.73	1.50	1.30	1.04	0.75
420W	3.50	2.02	1.75	1.52	1.21	0.88

# Dimensions & Weight

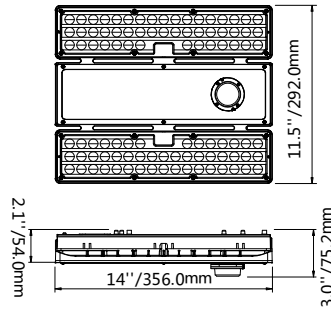
## Normal

### 90-210W(1.2ft)



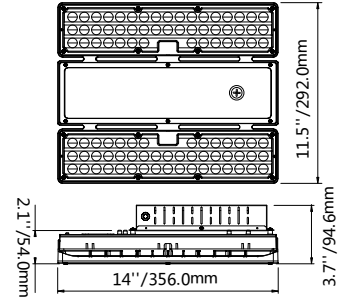
Net Weight: 5.5Lbs/2.5kgs

## With Sensor



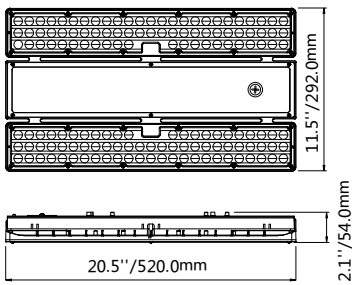
Net Weight: 5.5Lbs/ 2.5kgs

## With Emergency Driver

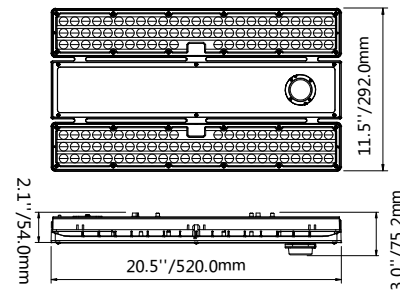


Net Weight: 7.9Lbs/3.6kgs

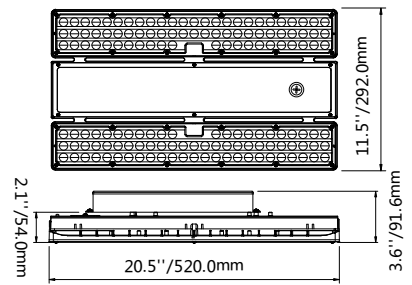
### 240-310W(1.7ft)



Net Weight: 7.3Lbs/3.3kgs

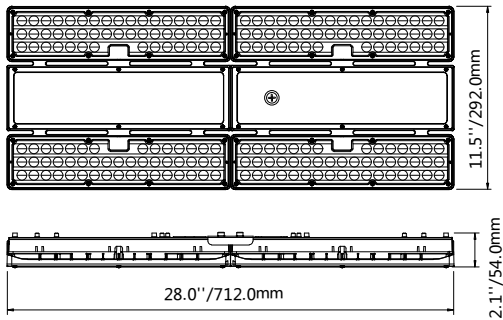


Net Weight: 7.3Lbs/ 3.3kgs

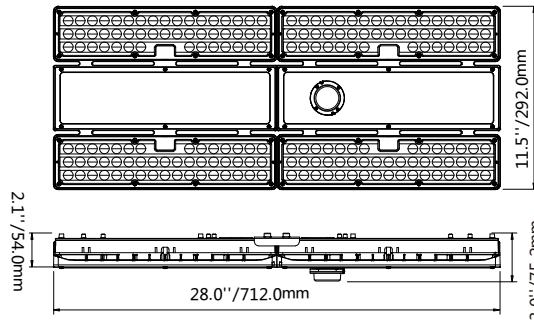


Net Weight: 10.1Lbs/4.6kgs

### 310-420W(2.4ft)



Net Weight: 11.5Lbs/ 5.2kgs



Net Weight: 11.5Lbs/ 5.2kgs