



LED FLOOD LIGHT



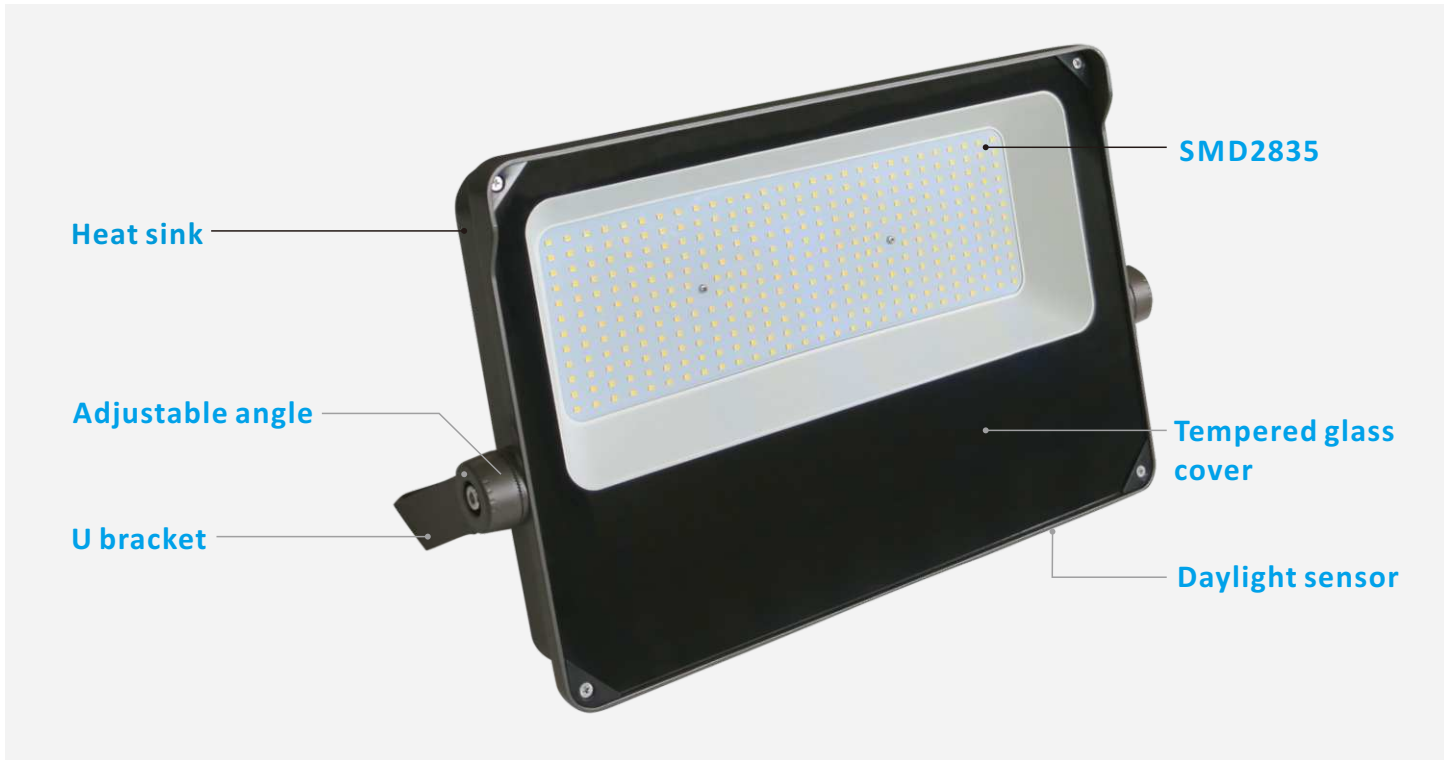
Features

- ◆ UL、cUL、DLC5.1、SAA certificate
- ◆ Using high quality SMD2835 chips
- ◆ 30-240W optional
- ◆ Up to 150LM/W
- ◆ 105°beam angle
- ◆ IP66 rated, suitable for wet location
- ◆ Corrosion resistant cold forged aluminum construction
- ◆ Operating temperature: -20°C ~ 45°C
- ◆ 30-70W:3years warranty
100-240W:5 years warranty

Application:

- Widely used in shopping mall
- exhibition • centre • parks
- car-parking place • Stadiums
- gymnasiums • billboards
- sculptures • landscaping works
- building • stairway
- facades and public corridors
- and other indoor and outdoor lighting

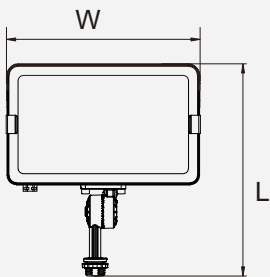




Parameters

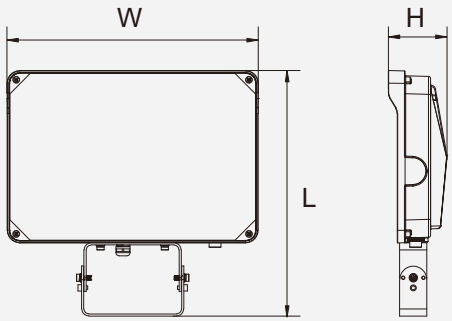
Model #	Power	Input voltage	CRI	CCT	Efficacy	Lumen
X-FL30-XXKAAZ	35W	AC200-240V	>70	3000K	130LM/W	4550LM
X-FL50-XXKAAZ	50W					6500LM
X-FL70-XXKAAZ	70W					9100LM
X-FL100-XXKAAZ	100W	AC120-277V		4000K	150LM/W	15000LM
X-FL150-XXKAAZ	150W			5000K		22500LM
X-FL200-XXKAAZ	200W	AC120-347V		5700K		30000LM
X-FL240-XXKAAZ	240W					36000LM

Dimension



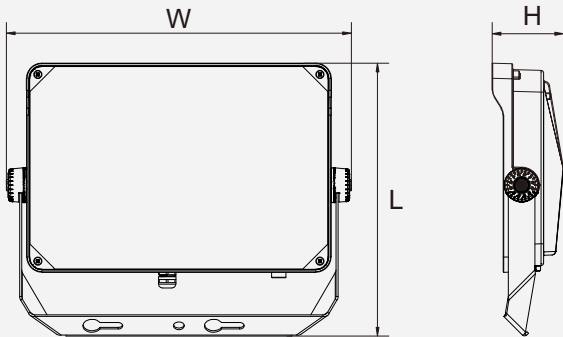
1/2"NPSM Knuckle Mount

1/2"NPSM Knuckle Mount	L x W x H (mm)
35W	207.0x172.5x45.5
50W	230.5x228.5x45.0
70W	262.0x277.0x48.0



Yoke mount

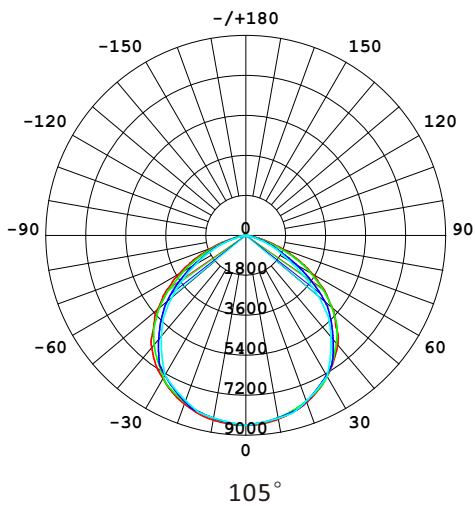
Yoke Mount	L x W x H (mm)
100W	312.6x306.0x71.0
150W	342.5x350.5x82.0
200-240W	392.5x430.5x100.0



Turnnion Mount

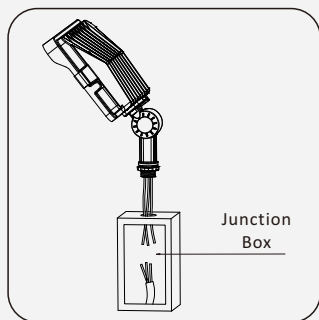
Turnnion Mount	L x W x H (mm)
30W	165.0x187.0x45.5
50W	193.0x121.0x45.0
70W	225.0x262.0x48.0
100W	282.5x353.5x71.0
150W	312.5x397.5x82.0
200-240W	370.0x472.0x100.0

Photometric

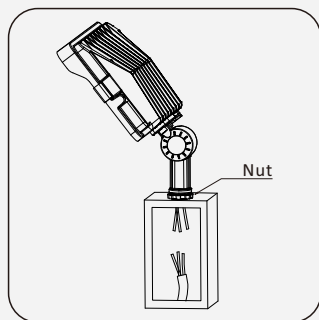


Installation

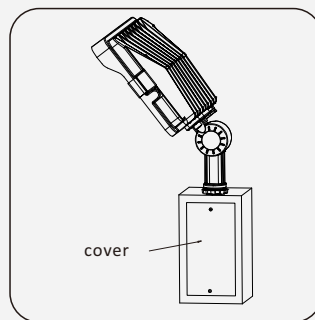
1/2"NPSM Knuckle Mount



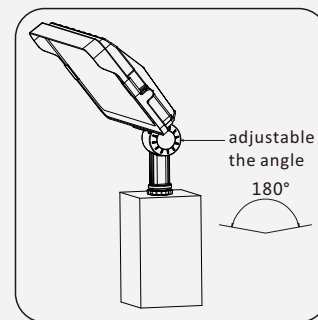
1. Put the electrical wiring into the Junction Box



2. Tighten the Nut, connect the electrical wiring according to the instruction
Caution: turn off the electricity before installation

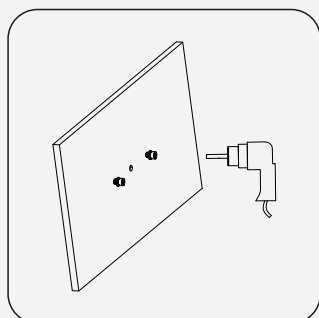


3. Tighten the Junction box cover

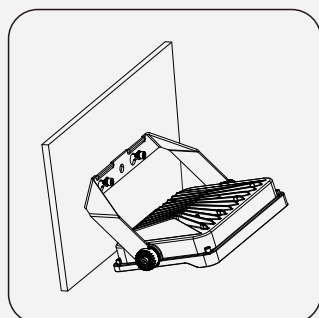


4. Use this screw to adjust the bracket angle, Rotate 180degree

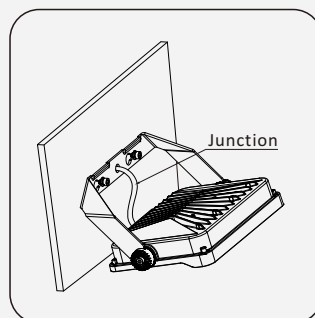
Turnnion Mount



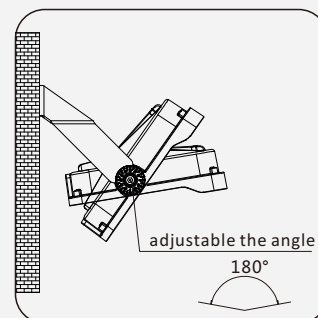
1. Drilling, and install expansion screw until the middle side



2. Tighten the Nuts

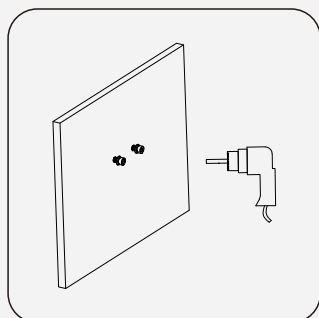


3. Connect the electrical wiring according to the instruction,
Caution: turn off the electricity before installation

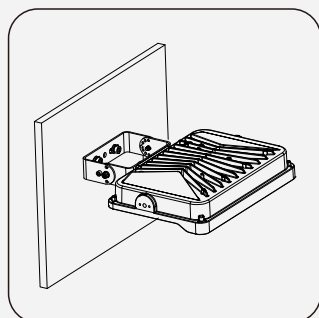


4. Use this screw to adjust the bracket angle, Rotate 180degree

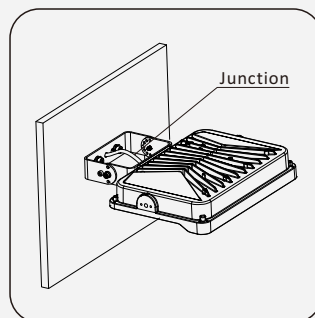
Yoke Mount



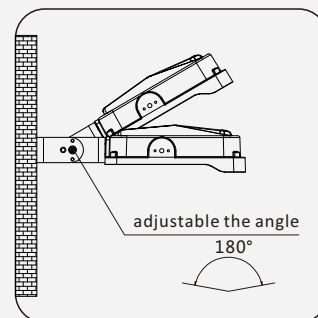
1. Drilling, and install expansion screw until the middle side



2. Tighten the Nuts



3. Connect the electrical wiring according to the instruction,
Caution: turn off the electricity before installation



4. Use this screw to adjust the bracket angle, Rotate 180degree

Package Info.

Model	Carton Dimension	Qty / Carton	N.W	G.W
X-FL30-XXKAAZ	L235 x W205 x H75	1PCS	0.58 KG	0.77 KG
X-FL50-XXKAAZ	L260 x W245 x H75	1PCS	0.80 KG	1.00 KG
X-FL70-XXKAAZ	L295 x W295 x H80	1PCS	1.26 KG	1.65 KG
X-FL100-XXKAAZ	L435 x W310 x H110	1PCS	2.90 KG	3.45 KG
X-FL150-XXKAAZ	L475 x W340 x H125	1PCS	3.58 KG	4.25 KG
X-FL200-XXKAAZ	L555 x W385 x H140	1PCS	5.35 KG	6.10KG
X-FL240-XXKAAZ	L555 x W385 x H140	1PCS	5.35 KG	6.10KG

Safety Precaution

To reduce the risk of death, personal injury or property damage from fire, electric shock, falling parts, cuts/abrasions, and other hazards read all warnings and instructions included with and on the fixture box and all fixture labels.

Before installing, servicing, or performing routine maintenance upon this equipment, follow these general precautions.

Commercial installation, service and maintenance of luminaires should be performed by a qualified licensed electrician.

For The installation: If you are unsure about the installation or maintenance of the luminaires, consult a qualified licensed electrician and check your local electrical code.

To prevent wiring damage or abrasion, do not expose wiring to edges of sheet metal or other sharp objects.

Do not make or alter any open holes in an enclosure of wiring or electrical components during kit installation.

WARNING: RISK OF FIRE OR ELECTRICAL SHOCK

Turn off electrical power at fuse or circuit breaker box before wiring fixture to the power supply.

Turn off the power when you perform any maintenance.

Verify that supply voltage is correct by comparing it with the luminaire label information.

Make all electrical and grounded connections in accordance with the National Electrical Code and any applicable local code requirements.

All wiring connections should be capped with UL approved wire connectors.

CAUTION: RISK OF INJURY

Avoid direct eye exposure to the light source while it is on.

Account for small parts and destroy packing material, as these may be hazardous to children.

