

2.3" WALL MOUNT LED

Architectural LED Luminaire Independent Installation

⚠ RISK OF FIRE AND ELECTRICAL SHOCK. FIXTURE MUST BE INSTALLED BY A QUALIFIED ELECTRICIAN ONLY IN ACCORDANCE WITH NATIONAL, LOCAL BUILDING AND ELECTRICAL CODES. DISCONNECT POWER AT ELECTRICAL PANEL BEFORE SERVICING.

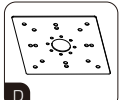
IMPORTANT

1. Read all instructions.
2. Install in accordance with national and local electrical code regulations.
3. This product is intended to be installed and serviced by a qualified, licensed electrician.
4. Do not install in wet locations. For dry and damp use only.
5. Turn off electrical power before installing or servicing fixture in any way.
6. To reduce the risk of fire and overheating, make sure all connections are tight.
7. Under no circumstances can the lighting fixture be covered with heat insulation gasket or similar materials.
8. The maximum connection of each input line is 40FT(1200CM) in 120AC, 80FT(2400CM) in 230AC, 100FT(3000CM) in 277AC.

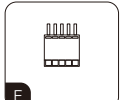
ACCESSORY



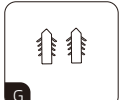
Wire Nut



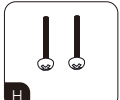
Square plate
(Optional accessory)
Noted: Square plate Compatible for 4" octagon, 4" round, 4" square and 2x4" rectangle junction boxes.



Male quick connector
(5 holes)



Anchor



Screw



Screw

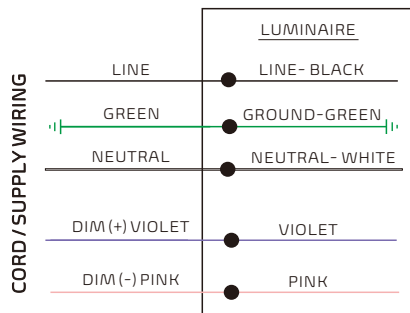


Screw



Wall Mounting Bracket

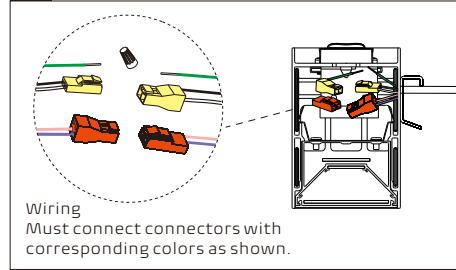
WIRING



⚠ Please isolate two dimming wires by P2 terminal individually if no need dimming; **MUST connect wires with corresponding colors as shown.**

INDEPENDENT INSTALLATION

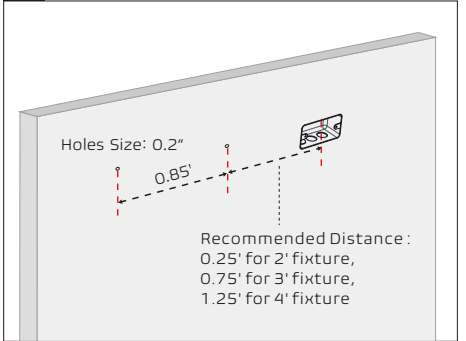
1 Assemble Power Cord



Wiring
Must connect connectors with corresponding colors as shown.

Take off the end cap and LED modular, thread the power cord out of the housing as shown. Wiring and then remount LED modular and end cap.

2 Install mounting point on wall

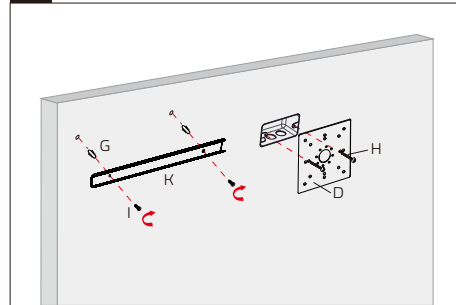


Holes Size: 0.2"

0.85'

Recommended Distance:
0.25' for 2' fixture,
0.75' for 3' fixture,
1.25' for 4' fixture

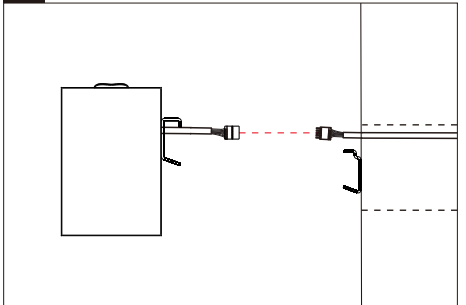
3 Install plate and bracket



2-1: Insert Anchor "G" into hole and fix the wall mounting bracket "K" with screw "I".

2-2: Mount the square cover plate "D" onto J-box with screw "H", then plastering.

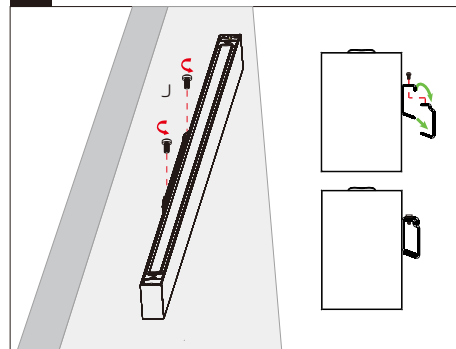
4 Wiring



3-1: Plug in AC wires, dimming wires and ground wire into the male quick connector "E" according to label instructions.

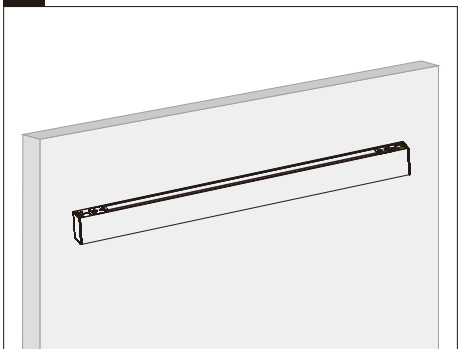
3-2: Plug in the male and female connector together, hide all wires into the junction box.

5 Mounting



Match the hole position of the fixture and "wall mounting bracket", and mount the fixture onto wall with screw "J".

6 Complete



2.3" WALL MOUNT LED

Architectural LED Luminaire Multiple Luminaires Connection

⚠ RISK OF FIRE AND ELECTRICAL SHOCK. FIXTURE MUST BE INSTALLED BY A QUALIFIED ELECTRICIAN ONLY IN ACCORDANCE WITH NATIONAL, LOCAL BUILDING AND ELECTRICAL CODES. DISCONNECT POWER AT ELECTRICAL PANEL BEFORE SERVICING.

ACCESSORY



1/2" Joiner



Silicone Seal

Noted: Silicone Seal is used to seal seams that may appear at both ends of luminaires when multiple connections.

BEFORE CONNECTING

Disassemble luminaires



Start of run (SoR): Remove the end cap without power code, insert the joiner and fix it with screw.



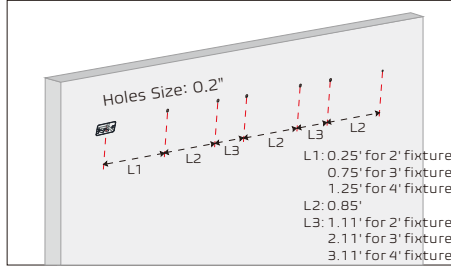
Middle of run (MoR): Remove both end caps, insert the joiner and fix it with screw.



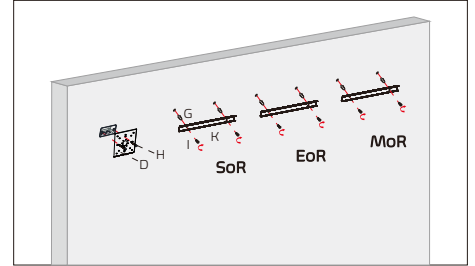
End of run (EoR): Remove the end cap with power code, insert the joiner and fix it with screw.

MULTIPLE LUMINAIRES CONNECTION

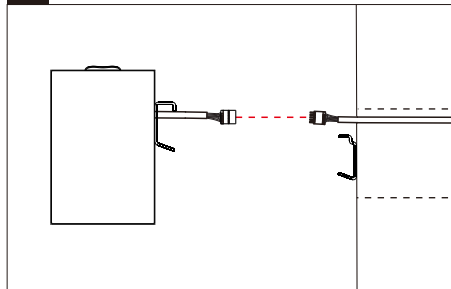
1 Install mounting point on wall



2 Install plate and bracket from SoR to EoR



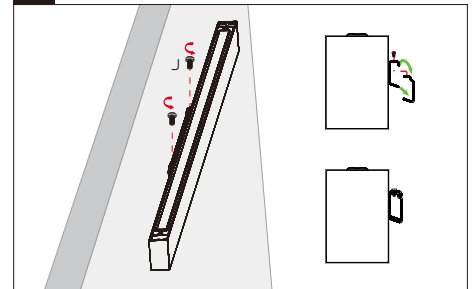
3 Wiring – SoR



3-1: Plug in AC wires, dimming wires and ground wire into the male quick connector (5 holes) "E" according to label instructions.

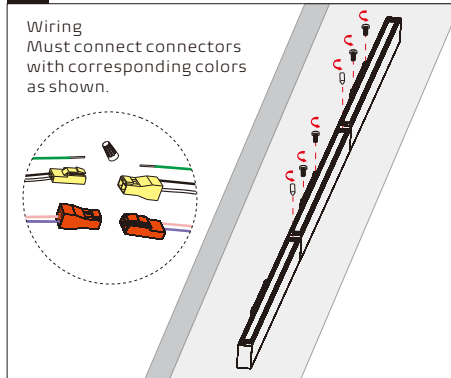
3-2: Plug in the male and female connector together, hide all wires into the junction box.

4 Mounting

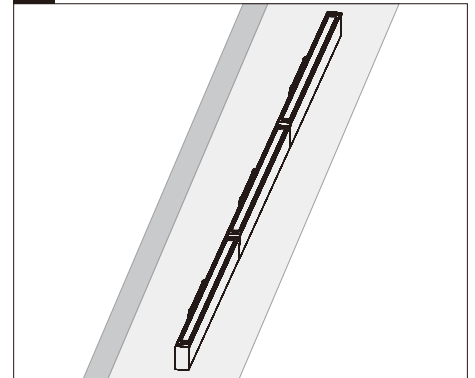


Match the hole position of the fixture and "wall mounting bracket", and mount the fixture onto wall with screw "J".

5 Repeat install and join steps - MoR to EoR



6 Complete



Optional 42' Diffuser Lens Roll

