

ZETA 2.3"

Wall Mount | Architectural LED Linear



Zeta series 2.3" is available in a wall mount design, with a sleek low-profile sensibility optimal for architectural lighting applications, ideal for corridors, stairwells, and more. These timeless, streamlined forms blend well with contemporary decors and modern workplaces.

It is available in 2ft and 4ft, simply provide wide, powerful lighting to any atmosphere with continuous runs. It can provide smooth uplight and downlight, allowing for wider spacing between fixtures and better ceiling light uniformity. With wattage and CCT adjustable function, Zeta also has the flexibility to illuminate many types of spaces.

Feature

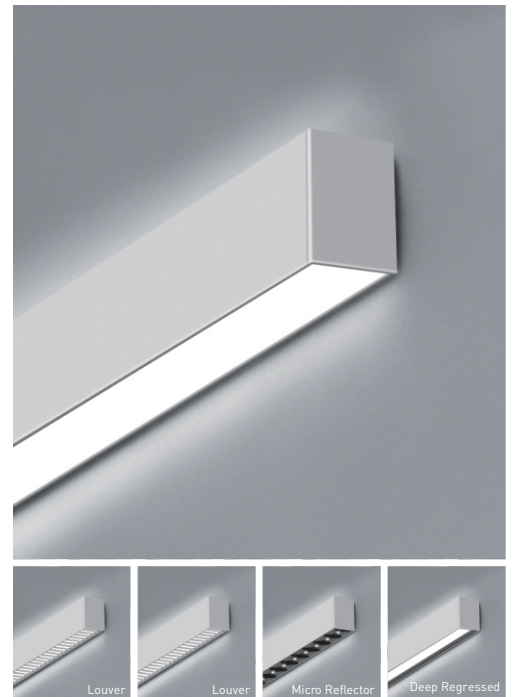
Wattage adjustable (50%/75%/100%)

CCT adjustable from 3000K, 3500K, 4000K

7 embedded lighting distributions adjusting by dip switch

Available in diffuser, micro reflector, louver and deep regressed lens

Individual units or continuous runs



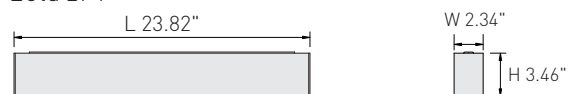
PERFORMANCE

Lens	Lumen Package		
	High	Medium	Low
Diffuser	1150lm/ft, 10w/ft	860lm/ft, 7.5w/ft	575lm/ft, 5w/ft
Louver	900lm/ft, 10w/ft	675lm/ft, 7.5w/ft	450lm/ft, 5w/ft
Micro Reflector	1150lm/ft, 10w/ft	860lm/ft, 7.5w/ft	575lm/ft, 5w/ft
Deep Regressed	950lm/ft, 10w/ft	710lm/ft, 7.5w/ft	475lm/ft, 5w/ft

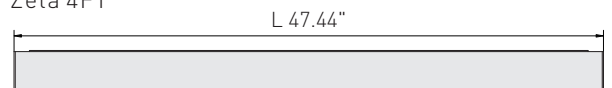
Above are subject to 3500K with 50% up and 50% down lighting distribution. All efficacy is $\pm 5\%$ base on different CCT and lighting distributions. Check the IES file to gain the accurate data .

DIMENSIONS

Zeta 2FT



Zeta 4FT



ZETA 2.3"

Wall Mount | Architectural LED Linear

PRODUCT PERFORMANCE

► Optics

It offers a selection of professional lens such as diffuser, louver, micro reflector and deep regressed lens to meet your different requires.

► Finish

Extruded aluminum housing with powder coat white, black or custom.

► Electrical

LED Driver It is powered by Class 2 high efficiency LED driver, with a standard 1-10V dimming which continuous dims to 10% that works with many types of controls. Tested Dimmers: Lutron @ Diva-Dvtv, Leviton @ IP-710-DL.

THD <20%

Power Factor >0.9

Input Voltage Standard electronic drivers are cULus recognized and available for 110-277V or 110-347V*AC

► Mounting

- Wall mount
- Individual or continuous run

► LED System

CRI Minimum 80 color rendering index

CCT The choice of 3000K, 3500K, 4000K color temperature with a great color consistency, or CCT selectable from 3000K,3500K and 4000K.

LED Life Minimum 50,000h with 87.8% of lumen maintenance in 25°C ambient temperature, in compliance with IES LM-80 testing measurements.

► Approvals

- cULus listed for damp locations
- 5 years limited warranty

► Optional Function

Emergency Option Optional high voltage 8W emergency LED driver EM-H08170-LBF can be provided. When AC power fails, it immediately switches to the emergency mode, operating for lighting up to 120 minutes. When AC power is restored, it automatically returns to the charging mode which meets critical life-safety lighting requirements.

For more info or spec sheet, please visit our website or contact sales.

Emergency Lumen Output:

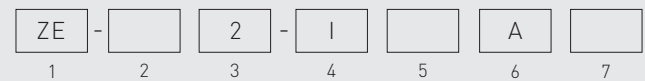
Fixture Efficacy	Output Power 8w
110lm/w	880 Lumens



PRODUCT ORDERING GUIDE

Sample

ZE-4 2 - I 35 A D



1. Base Model

ZE ZETA

2. Length

2 2 feet 4 4 feet

3. Width

2 2.3 inch

4. Driver

I Internal

5. CCT

TW CCT Selectable (3000K,3500K,4000K) 30 3000K *
 35 3500K *
 40 4000K *

6. Light Distribution

A Following options available by dip switch
100% Uplight
10% down, 90% up
30% down, 70% up
50% down, 50% up
70% down, 30% up
90% down, 10% up
100% Downlight

7. Optics Options

D Diffuser R Micro Reflector *
 L Louver * T Deep Regressed *

INSTALLATION ORDERING GUIDE

Joiner

" - " pattern

Optional Accessory

Rolling Diffuser (42')
 LED Emergency Driver (Order Separated)

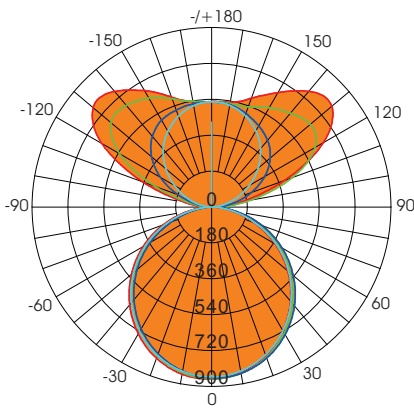
*Additional cost and/or lead time on customized fixtures may apply. Some fixtures require an MOQ. Please contact your sales rep for more information.

ZETA 2.3"

Wall Mount | Architectural LED Linear

DISTRIBUTION DIAGRAM

4' / Diffuser/50% Up,50% Down/ 4000K



Test Number: ZE-42-I40AD
 Lumens: 4739.1 Lm
 Watts: 40 W
 LPW: 118.48 Lm/W
 CCT: 4000K

UNIT: cd
 — C0/180, 360°
 — C30/270, 360°
 — C60/240, 360°
 — C90/270, 360°

Zonal Flux Diagram

τ	C0	C45	C90	C135	C180
5	857.7	858.1	847.3	841.0	861.4
10	844.1	849.1	835.1	821.8	851.1
15	822.1	831.6	815.6	795.4	833.5
20	792.8	807.2	788.8	762.5	807.4
25	757.1	775.5	755.5	723.0	774.6
30	716.2	737.2	715.9	677.7	735.6
35	667.9	693.4	670.2	627.5	690.3
40	616.1	644.0	619.9	572.8	639.9
45	559.4	589.1	564.3	513.7	585.0
50	499.2	530.9	505.0	451.3	525.8
55	434.1	468.3	441.5	385.1	462.7
60	365.3	402.1	374.7	315.6	395.8
65	295.4	332.9	305.0	244.5	326.8
70	224.4	260.6	232.0	174.7	254.3
75	154.3	189.1	161.3	108.6	184.1
80	90.07	120.5	95.53	51.77	117.0
85	36.95	60.98	41.01	10.68	58.12
90	39.69	49.44	5.334	21.91	41.89
95	85.06	88.27	21.25	52.16	75.79
100	151.2	163.7	51.22	102.9	136.5
105	253.3	249.8	89.41	186.2	230.4
110	384.4	328.2	131.1	278.8	362.9
115	522.2	393.5	175.2	367.8	502.4
120	647.4	443.0	219.3	441.8	634.5
125	736.9	476.4	263.0	496.2	724.5
130	787.6	497.4	305.2	530.7	775.5
135	790.8	509.9	345.3	550.9	783.9
140	758.4	518.4	382.3	561.8	757.7
145	711.4	519.9	415.5	567.2	716.9
150	663.4	517.6	443.7	564.1	675.3
155	619.4	514.2	468.7	554.3	630.8
160	581.3	514.0	489.8	540.6	586.6
165	549.4	519.6	506.9	535.1	554.4
170	534.3	524.9	518.7	530.1	537.2
175	531.2	528.0	526.1	528.6	529.6
180	529.9	529.8	529.8	529.8	529.9
DEG	LUMINOUS INTENSITY:cd				

Zonal Lumens

τ	φ total
0-5	20.42
5-10	80.98
10-15	179.6
15-20	312.7
20-25	475.8
25-30	663.4
30-35	869.1
35-40	1086
40-45	1307
45-50	1525
50-55	1733
55-60	1924
60-65	2092
65-70	2230
70-75	2336
75-80	2408
80-85	2448
85-90	2466
90-95	2489
95-100	2533
100-105	2611
105-110	2730
110-115	2888
115-120	3081
120-125	3295
125-130	3517
130-135	3735
135-140	3940
140-145	4125
145-150	4287
150-155	4426
155-160	4539
160-165	4626
165-170	4689
170-175	4726
175-180	4739
	UNIT: lm

Luminance cd/(m2)

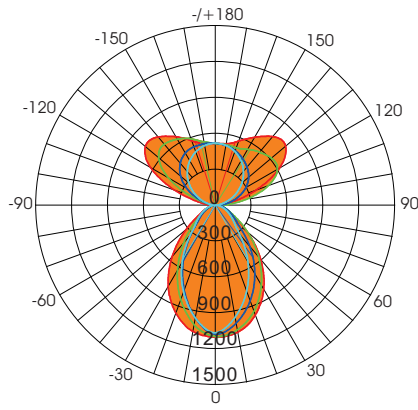
G(DEG)	C0/180	C90/270
85	5888	6535
80	7204	7641
75	8283	8654
70	9112	9422
65	9708	10024
60	10148	10409
55	10512	10690
50	10787	10912
45	10988	11085

ZETA 2.3"

Wall Mount | Architectural LED Linear

DISTRIBUTION DIAGRAM

4'/Louver/50% Up,50% Down/ 4000K



Test Number: ZE-42-I40AL
 Lumens: 3865.5 Lm
 Watts: 40 W
 LPW: 96.64 Lm/W
 CCT: 4000K

UNIT: cd
 — C0/180, 324.8°
 — C30/270, 314.8°
 — C60/240, 65.6°
 — C90/270, 61.7°

Zonal Flux Diagram

τ	C0	C45	C90	C135	C180
5	1100	1077	1028	1015	1096
10	1080	1035	954.1	927.2	1072
15	1041	977.1	866.4	828.8	1028
20	979.0	906.2	768.3	723.1	961.9
25	903.0	823.8	661.9	612.2	881.6
30	812.0	730.3	548.8	499.4	787.4
35	706.6	628.1	432.8	390.0	679.1
40	591.3	522.4	316.4	290.5	560.6
45	471.1	417.4	235.2	206.1	439.0
50	351.7	316.7	194.1	152.0	319.5
55	244.0	231.3	158.3	115.4	215.3
60	160.0	176.7	126.5	85.60	138.9
65	117.8	138.1	98.45	60.39	105.0
70	83.27	105.6	73.47	38.44	73.07
75	55.29	77.53	51.06	19.18	46.75
80	32.44	53.30	31.05	2.405	25.50
85	13.97	49.71	13.08	0.4994	7.709
90	29.54	66.04	1.446	0.4677	28.35
95	70.36	110.9	14.68	27.90	68.82
100	133.0	190.9	43.89	68.63	129.1
105	228.5	270.2	80.50	137.4	223.0
110	355.3	337.7	121.1	230.3	353.8
115	492.0	391.6	164.4	234.5	492.5
120	619.5	430.1	208.1	409.1	623.0
125	713.4	455.4	251.6	474.8	712.6
130	768.4	471.2	292.9	520.3	762.4
135	777.3	482.8	332.0	546.0	769.7
140	748.7	488.8	368.7	559.9	743.5
145	702.6	489.1	402.4	567.3	703.2
150	654.4	489.0	431.7	567.4	661.0
155	609.5	490.4	456.6	557.6	615.5
160	570.4	497.4	477.9	544.6	571.4
165	537.7	505.0	495.6	530.6	539.5
170	521.3	510.4	508.1	524.3	523.3
175	517.3	513.0	515.4	517.9	516.2
180	516.7	516.6	516.5	516.6	516.7
DEG	LUMINOUS INTENSITY:cd				

Zonal Lumens

τ	φ total
0-5	25.57
5-10	99.25
10-15	214.1
15-20	361.0
20-25	529.2
25-30	707.3
30-35	883.4
35-40	1047
40-45	1189
45-50	1308
50-55	1405
55-60	1483
60-65	1543
65-70	1590
70-75	1624
75-80	1647
80-85	1660
85-90	1672
90-95	1692
95-100	1734
100-105	1808
105-110	1919
110-115	2069
115-120	2252
120-125	2457
125-130	2672
130-135	2883
135-140	3082
140-145	3263
145-150	3422
150-155	3558
155-160	3669
160-165	3755
165-170	3816
170-175	3853
175-180	3866
	UNIT: lm

Luminance cd/(m2)

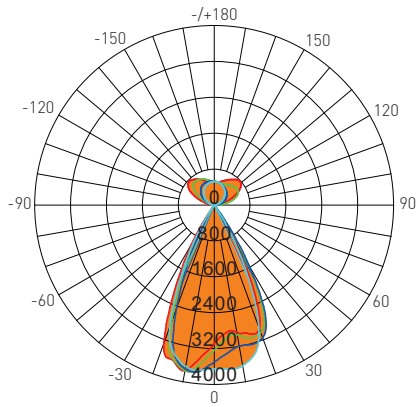
G(DEG)	C0/180	C90/270
85	2227	2085
80	2595	2483
75	2967	2740
70	3381	2983
65	3871	3236
60	4444	3513
55	5907	3834
50	7599	4195
45	9253	4620

ZETA 2.3"

Wall Mount | Architectural LED Linear

DISTRIBUTION DIAGRAM

4'/Micro Reflector/50% Up,50% Down/ 4000K



Test Number: ZE-42-I40AR
 Lumens: 4530.0 Lm
 Watts: 40 W
 LPW: 113.25 Lm/W
 CCT: 4000K

UNIT: cd
 — C0/180, 51.8°
 — C30/270, 51.9°
 — C60/240, 51.1°
 — C90/270, 49.5°

Zonal Flux Diagram

τ	C0	C45	C90	C135	C180
5	2868	3126	3668	3715	3397
10	2880	3036	3634	3615	3745
15	2965	3158	3455	2948	3584
20	2939	3141	2911	1757	3294
25	2099	2754	1812	787.4	2093
30	819.2	1675	767.6	84.95	1038
35	57.67	519.7	112.1	5.340	215.8
40	5.200	38.70	6.196	3.696	5.573
45	3.849	4.987	2.988	2.833	3.959
50	2.820	3.517	1.928	1.993	3.010
55	2.048	2.444	1.189	1.486	2.168
60	1.700	1.590	0.8656	1.277	1.783
65	1.470	1.073	0.7377	1.168	1.502
70	1.244	0.8401	0.6042	0.9728	1.231
75	0.9286	0.6696	0.5020	0.8287	0.9745
80	0.6716	0.5905	0.3831	0.7114	0.7084
85	0.5373	29.27	0.2523	0.4937	0.5233
90	30.98	71.66	0.2141	0.0995	29.17
95	75.71	141.9	15.05	24.16	67.03
100	142.1	225.0	44.13	62.52	127.1
105	242.7	301.3	80.91	126.9	220.4
110	372.9	363.9	121.7	217.7	351.7
115	510.1	410.7	165.2	310.7	490.8
120	635.7	442.3	209.3	395.6	622.1
125	724.8	462.4	252.9	463.4	710.8
130	775.0	475.8	294.3	511.7	761.3
135	779.1	483.6	333.9	540.5	769.3
140	747.9	487.4	371.4	557.4	744.0
145	702.3	487.4	407.0	568.1	704.9
150	655.7	488.6	438.3	571.1	664.9
155	612.7	494.3	464.0	564.6	620.9
160	575.3	503.6	486.8	554.1	577.9
165	544.1	512.1	505.8	540.0	547.0
170	529.8	517.2	519.4	534.1	531.5
175	527.0	523.3	527.4	527.4	525.0
180	526.1	525.7	525.2	525.2	526.1
DEG	LUMINOUS INTENSITY:cd				

Zonal Lumens

τ	φ total
0-5	82.46
5-10	328.5
10-15	726.1
15-20	1229
20-25	1728
25-30	2096
30-35	2265
35-40	2302
40-45	2306
45-50	2307
50-55	2308
55-60	2309
60-65	2310
65-70	2310
70-75	2311
75-80	2311
80-85	2313
85-90	2320
90-95	2342
95-100	2386
100-105	2463
105-110	2576
110-115	2727
115-120	2909
120-125	3113
125-130	3327
130-135	3538
135-140	3737
140-145	3919
145-150	4079
150-155	4216
155-160	4329
160-165	4417
165-170	4480
170-175	4517
175-180	4530
	UNIT: lm

Luminance cd/(m2)

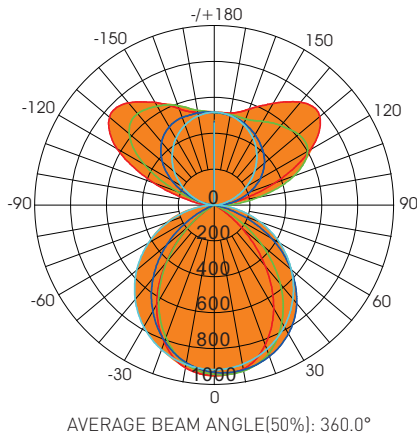
G(DEG)	C0/180	C90/270
85	86	40
80	54	31
75	50	27
70	50	25
65	48	24
60	47	24
55	50	29
50	61	42
45	76	59

ZETA 2.3"

Wall Mount | Architectural LED Linear

DISTRIBUTION DIAGRAM

4'/Deep Regressed/50% Up,50% Down/ 4000K



Test Number: ZE-42-140AT
 Lumens: 4070.6 Lm
 Watts: 40 W
 LPW: 101.77 Lm/W
 CCT: 4000K

UNIT: cd
 — C0/180, 360°
 — C30/270,360°
 — C60/240, 360°
 — C90/270, 360°

Zonal Flux Diagram

τ	C0	C45	C90	C135	C180
5	946.0	943.5	913.4	885.0	943.1
10	928.1	938.5	901.8	838.4	921.2
15	891.1	924.5	882.1	780.3	879.6
20	829.8	899.4	855.9	712.6	814.6
25	753.7	861.8	822.4	634.8	735.7
30	663.4	806.8	781.9	546.8	643.6
35	558.1	738.1	734.7	449.6	536.2
40	442.7	657.8	682.4	347.7	418.9
45	322.4	567.3	623.8	243.4	299.6
50	204.9	466.2	560.3	143.4	181.6
55	101.4	356.7	492.9	60.86	84.70
60	27.77	244.0	420.8	10.84	16.86
65	4.112	135.5	345.9	1.668	4.051
70	2.630	47.83	268.2	1.816	2.600
75	1.706	3.690	190.8	1.167	1.677
80	1.065	1.703	117.4	0.7295	1.033
85	0.7453	18.53	49.22	0.4487	0.6440
90	29.42	53.07	1.509	0.3989	28.29
95	70.27	110.8	14.82	27.83	68.73
100	132.9	190.9	44.10	68.59	129.0
105	228.4	270.2	80.81	137.5	222.8
110	355.1	337.7	121.5	230.3	353.6
115	491.8	391.5	164.9	324.7	492.3
120	619.3	430.1	208.7	409.3	622.8
125	713.2	455.4	252.3	475.1	712.4
130	768.2	471.2	293.6	520.7	762.1
135	777.1	482.9	332.7	546.4	769.5
140	748.5	488.9	369.4	560.2	743.3
145	702.4	489.3	403.0	567.7	703.0
150	654.2	489.1	432.2	567.7	660.9
155	609.3	490.4	457.0	557.9	615.3
160	570.3	497.3	478.0	544.8	571.3
165	537.6	504.9	495.7	530.8	539.4
170	521.2	510.3	508.1	524.4	523.2
175	517.2	512.8	515.3	518.0	516.1
180	516.6	516.4	516.4	516.4	516.6
DEG	LUMINOUS INTENSITY:cd				

Zonal Lumens

τ	φ total
0-5	22.14
5-10	87.59
10-15	193.3
15-20	334.1
20-25	503.1
25-30	691.8
30-35	890.3
35-40	1088
40-45	1275
45-50	1441
50-55	1579
55-60	1686
60-65	1763
65-70	1815
70-75	1846
75-80	1862
80-85	1868
85-90	1875
90-95	1894
95-100	1936
100-105	2010
105-110	2122
110-115	2272
115-120	2455
120-125	2661
125-130	2876
130-135	3087
135-140	3287
140-145	3468
145-150	3627
150-155	3763
155-160	3874
160-165	3960
165-170	4021
170-175	4058
175-180	4071
	UNIT: lm

Luminance cd/(m2)

G(DEG)	C0/180	C90/270
85	119	7843
80	85	9390
75	92	10237
70	107	10891
65	135	11369
60	771	11690
55	2455	11935
50	4427	12107
45	6332	12253