

! RISK OF FIRE AND ELECTRICAL SHOCK. FIXTURE MUST BE INSTALLED BY A QUALIFIED ELECTRICIAN ONLY IN ACCORDANCE WITH NATIONAL, LOCAL BUILDING AND ELECTRICAL CODES. DISCONNECT POWER AT ELECTRICAL PANEL BEFORE SERVICING.

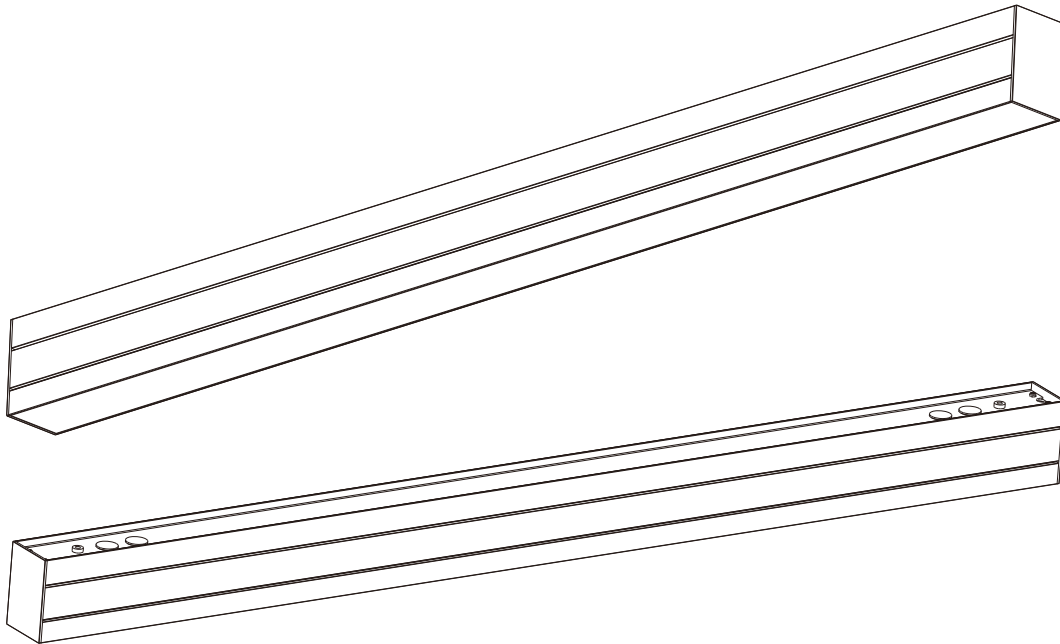


Table Of Contents

Dry Ceiling	02
INDIVIDUAL INSTALLATION	03
MULTIPLE LUMINAIRES CONNECTION	05
A. Line connection	05
B. L shape connection	08
Grid Ceiling	10
INDIVIDUAL INSTALLATION	11
MULTIPLE LUMINAIRES CONNECTION	12
A. Line connection	12
B. L shape connection	14

2.3" RECESSED LED

ARCHITECTURAL LED LUMINAIRE DRY CEILING

⚠️ RISK OF FIRE AND ELECTRICAL SHOCK. FIXTURE MUST BE INSTALLED BY A QUALIFIED ELECTRICIAN ONLY IN ACCORDANCE WITH NATIONAL, LOCAL BUILDING AND ELECTRICAL CODES. DISCONNECT POWER AT ELECTRICAL PANEL BEFORE SERVICING.

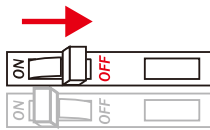
IMPORTANT

1. Read all instructions.
2. Install in accordance with national and local electrical code regulations.
3. This product is intended to be installed and serviced by a qualified, licensed electrician.
4. Do not install in wet locations. For dry and damp use only.
5. Turn off electrical power before installing or servicing fixture in any way.
6. To reduce the risk of fire and overheating, make sure all connections are tight.
7. Under no circumstances can the lighting fixture be covered with heat insulation gasket or similar materials.
8. The maximum connection of each input line is 40FT in 120AC, 100FT in 277AC.

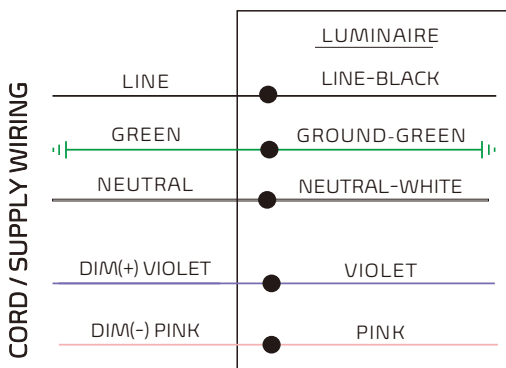
SHOCK HAZARD



May result in serious injury or death. Turn power OFF at circuit breaker prior to installation or servicing.



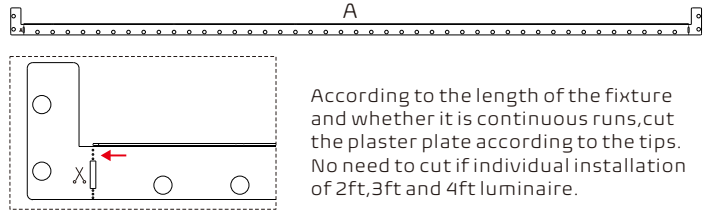
WIRING



Please isolate two dimming wires by P2 terminal individually if no need dimming; Must connect wires with corresponding colors as shown.

PARTS LISTS

MUD-IN DRYWALL



According to the length of the fixture and whether it is continuous runs, cut the plaster plate according to the tips. No need to cut if individual installation of 2ft, 3ft and 4ft luminaire.

B



Screws

Screws to fix the drywall flange kit to housing

C



Screws

Screws to fix the drywall flange kit to drywall

D



PC Diffuser

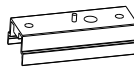
E



Silicone Seal

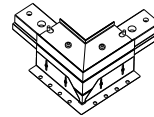
Note: Silicone seal is used to seal seams that may appear at both ends of luminaires when multiple connections.

F



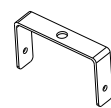
"L" Joiner

G



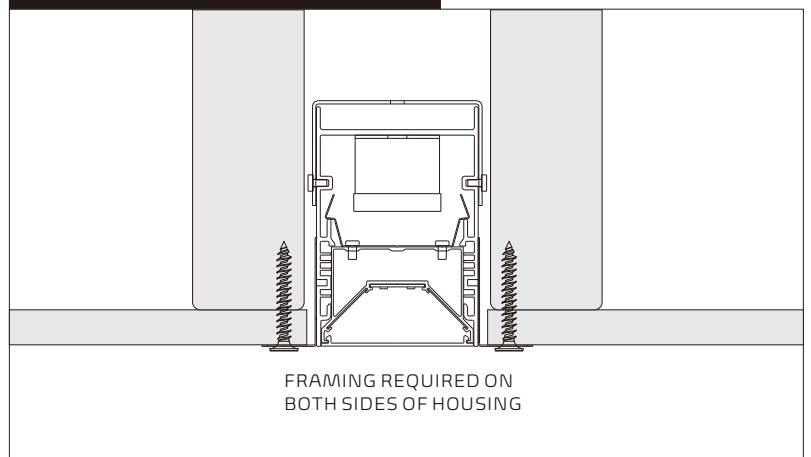
"L" Joiner

H



Safety Hanging Plate

Dry Ceiling Installation (Wall Installation)



FRAMING REQUIRED ON BOTH SIDES OF HOUSING

⚠ RISK OF FIRE AND ELECTRICAL SHOCK. FIXTURE MUST BE INSTALLED BY A QUALIFIED ELECTRICIAN ONLY IN ACCORDANCE WITH NATIONAL, LOCAL BUILDING AND ELECTRICAL CODES. DISCONNECT POWER AT ELECTRICAL PANEL BEFORE SERVICING.

INDIVIDUAL INSTALLATION

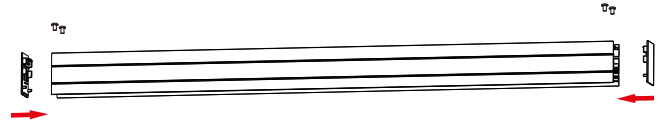
1 Drill a hole in the ceiling



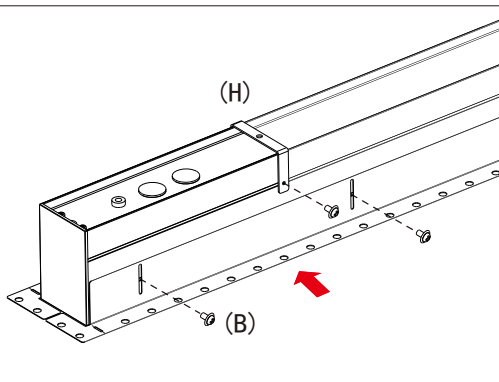
Drill a hole in the ceiling according to the following size:

- ① 2FT: L23.78" X W2.72"
- ② 3FT: L35.79" X W2.72"
- ③ 4FT: L47.80" X W2.72"
- ④ 8FT: L95.36" X W2.72"

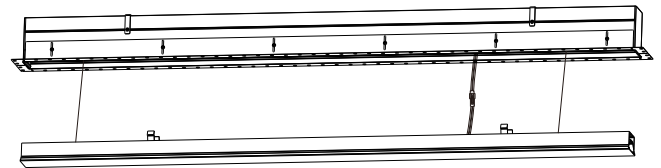
2 Install end caps as shown



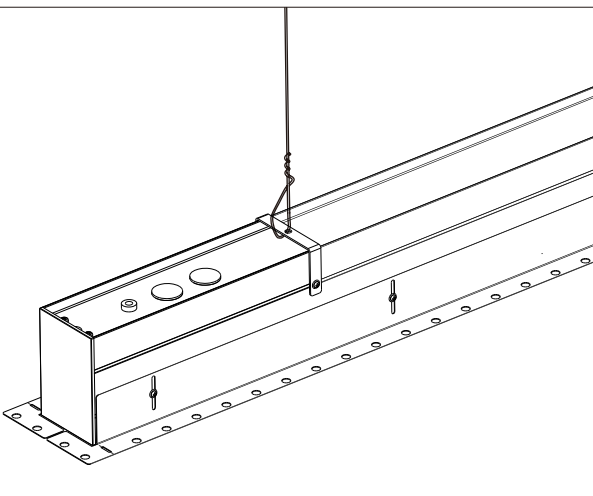
3 Install the drywall flange kit and safety hanging plate



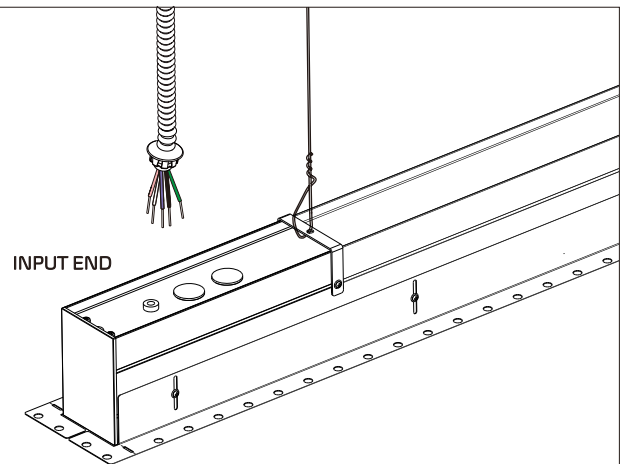
4 Secure the LED module with aircraft cable and connect the DC male and female terminals



5 Secure both ends of the luminaire with safety ropes



6 Wiring

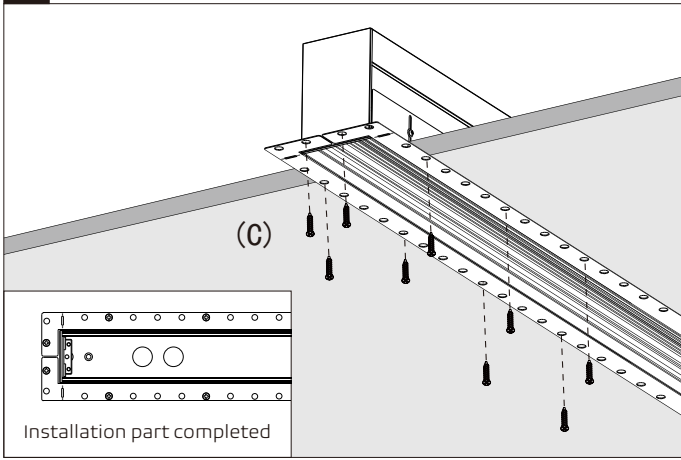


2.3" RECESSED LED

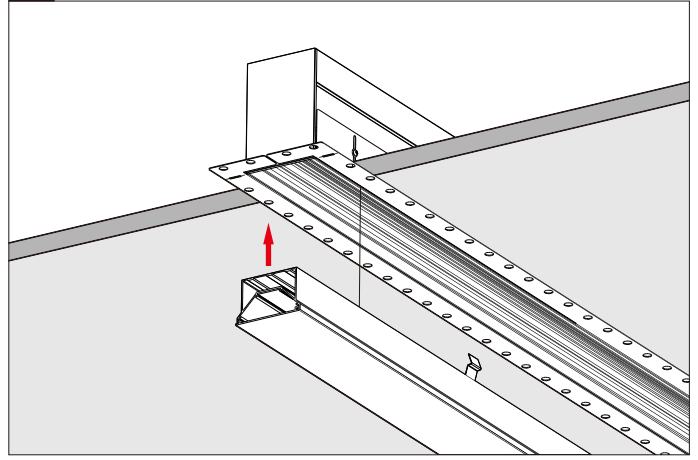
ARCHITECTURAL LED LUMINAIRE DRY CEILING - INDIVIDUAL INSTALLATION

! RISK OF FIRE AND ELECTRICAL SHOCK. FIXTURE MUST BE INSTALLED BY A QUALIFIED ELECTRICIAN ONLY IN ACCORDANCE WITH NATIONAL, LOCAL BUILDING AND ELECTRICAL CODES. DISCONNECT POWER AT ELECTRICAL PANEL BEFORE SERVICING.

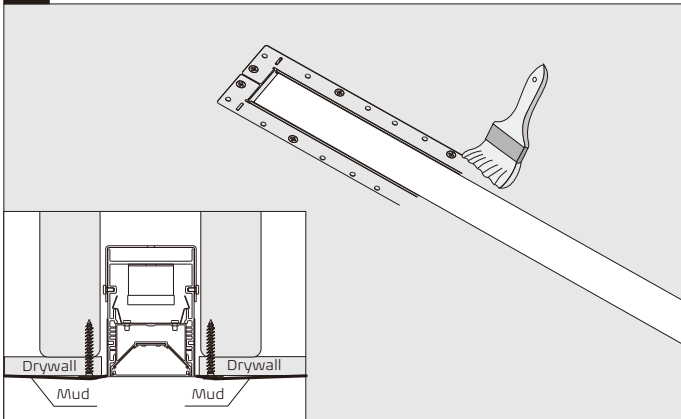
7 Secure the luminaire to the ceiling by screws



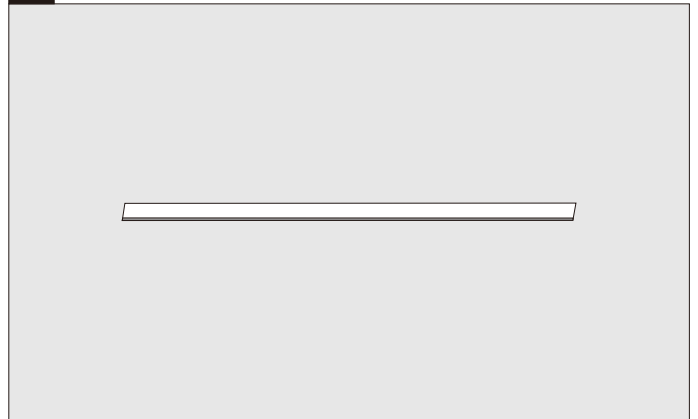
8 Plug the LED module into housing



9 Plaster and remove the film on the PC diffuser



10 Complete



⚠ RISK OF FIRE AND ELECTRICAL SHOCK. FIXTURE MUST BE INSTALLED BY A QUALIFIED ELECTRICIAN ONLY IN ACCORDANCE WITH NATIONAL, LOCAL BUILDING AND ELECTRICAL CODES. DISCONNECT POWER AT ELECTRICAL PANEL BEFORE SERVICING.

MULTIPLE LUMINAIRES CONNECTION - LINE CONNECTION

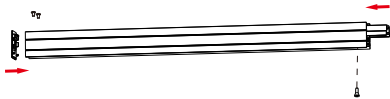
BEFORE CONNECTING

① Install end caps and line joiners

START OF RUN

Install end caps and Line joiners as shown

INPUT END



MIDDLE OF RUN

Install Line joiners as shown

INPUT END



END OF RUN

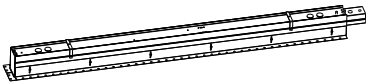
Install end caps as shown

INPUT END

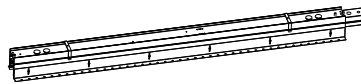


② Install drywall flange kit (A) and safety hanging plate (H) as shown

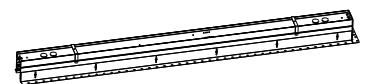
START OF RUN



MIDDLE OF RUN



END OF RUN



③ Secure the LED modules with aircraft cable and connect the DC male and female terminals

START OF RUN



MIDDLE OF RUN



END OF RUN



1 Drill a hole in the ceiling



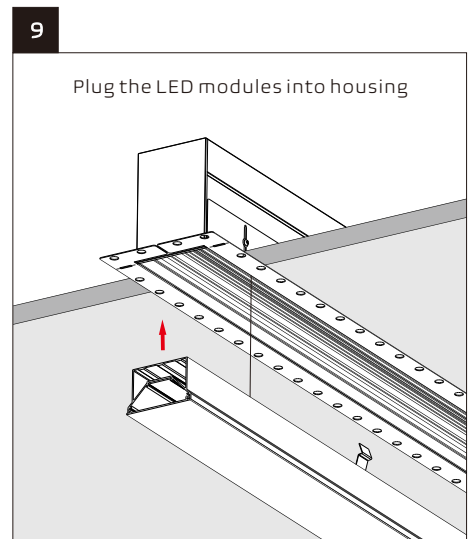
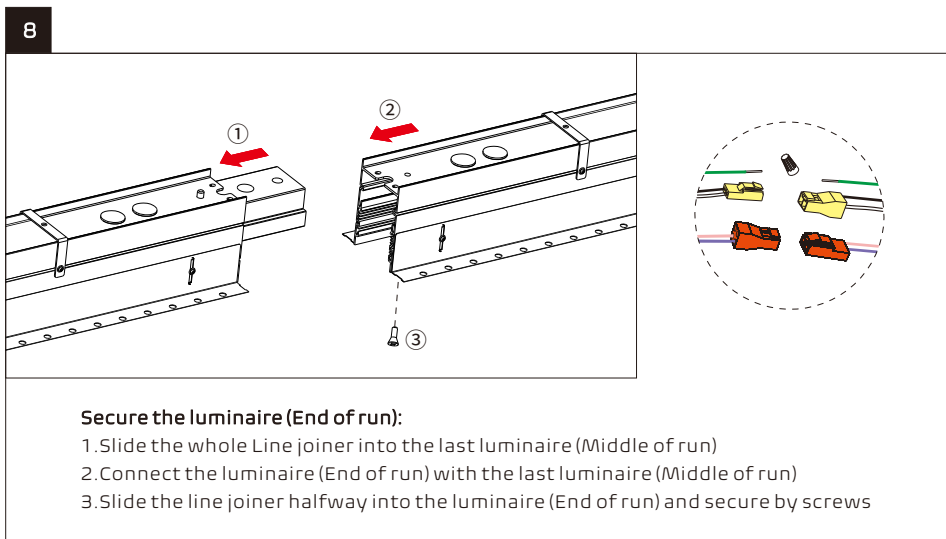
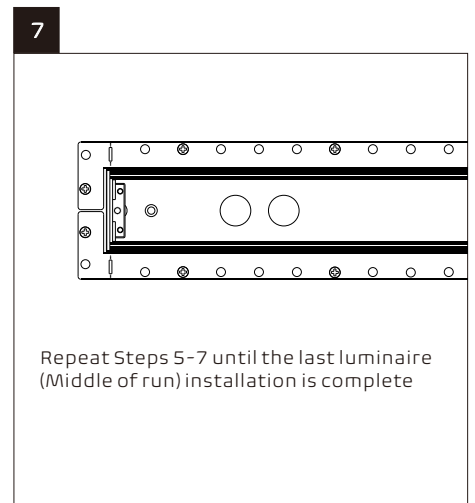
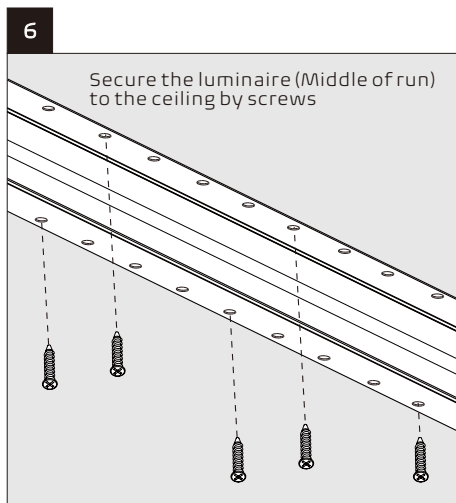
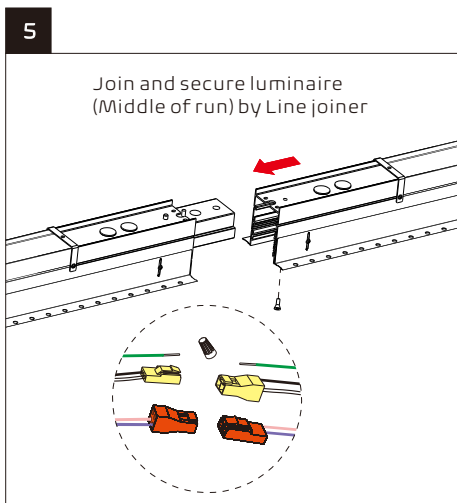
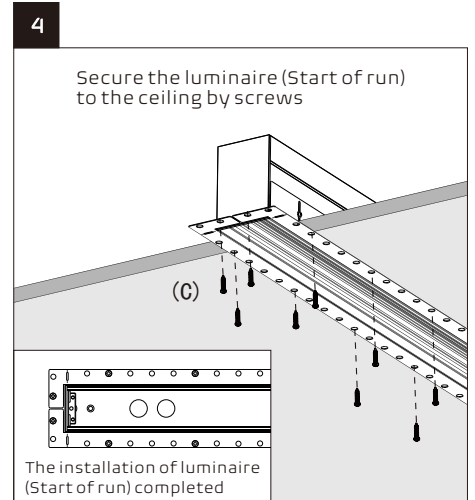
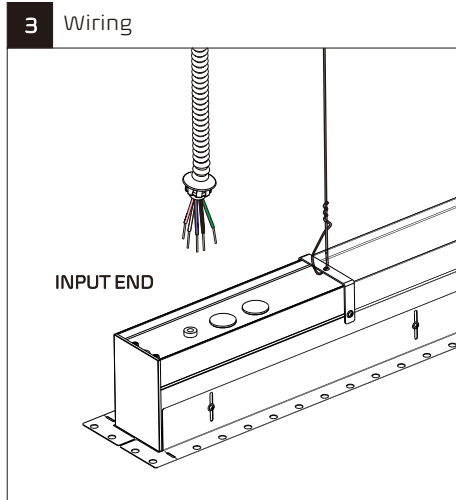
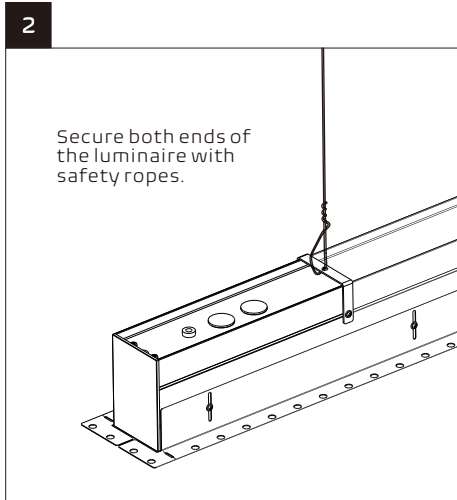
Drill a hole in the ceiling according to the following size:

- ① 2FT: L23.78" X W2.72"
When continuous runs, each additional 2FT fixture, increase the length by 23.51".
- ② 3FT: L35.79" X W2.72"
When continuous runs, each additional 3FT fixture, increase the length by 35.51".
- ③ 4FT: L47.80" X W2.72"
When continuous runs, each additional 4FT fixture, increase the length by 47.52".
- ④ 8FT: L95.32" X W2.72"
When continuous runs, each additional 8FT fixture, increase the length by 95.04".

2.3" RECESSED LED

ARCHITECTURAL LED LUMINAIRE DRY CEILING - MULTIPLE LUMINAIRES CONNECTION - LINE CONNECTION

⚠ RISK OF FIRE AND ELECTRICAL SHOCK. FIXTURE MUST BE INSTALLED BY A QUALIFIED ELECTRICIAN ONLY IN ACCORDANCE WITH NATIONAL, LOCAL BUILDING AND ELECTRICAL CODES. DISCONNECT POWER AT ELECTRICAL PANEL BEFORE SERVICING.

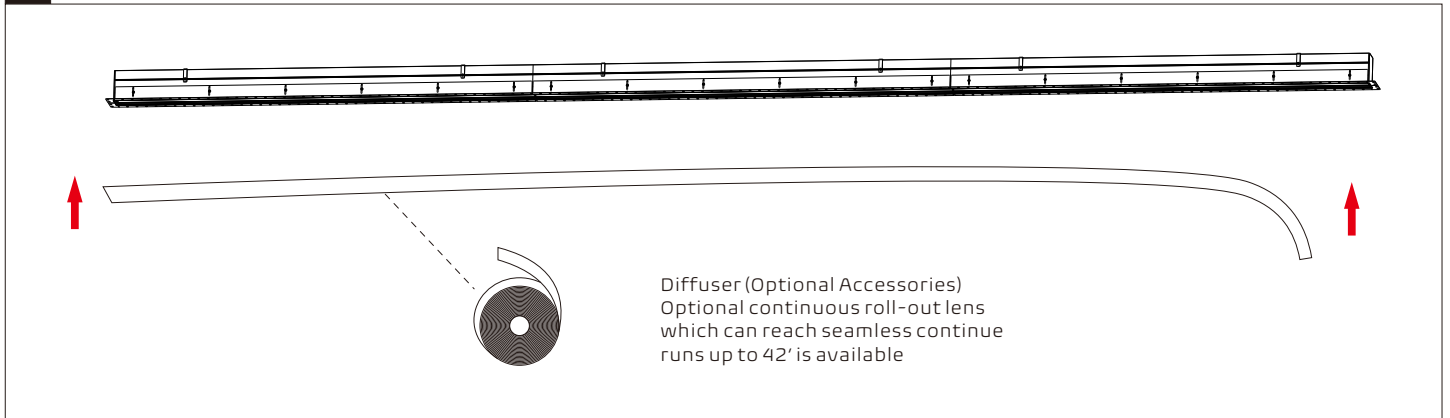


2.3" RECESSED LED

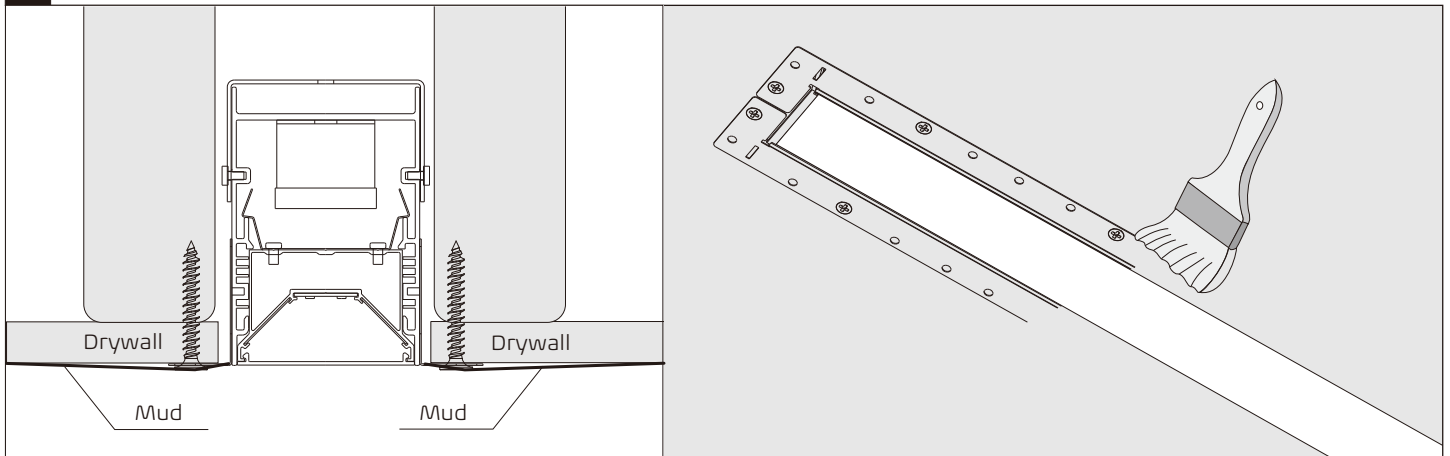
ARCHITECTURAL LED LUMINAIRE DRY CEILING - MULTIPLE LUMINAIRES CONNECTION - LINE CONNECTION

! RISK OF FIRE AND ELECTRICAL SHOCK. FIXTURE MUST BE INSTALLED BY A QUALIFIED ELECTRICIAN ONLY IN ACCORDANCE WITH NATIONAL, LOCAL BUILDING AND ELECTRICAL CODES. DISCONNECT POWER AT ELECTRICAL PANEL BEFORE SERVICING.

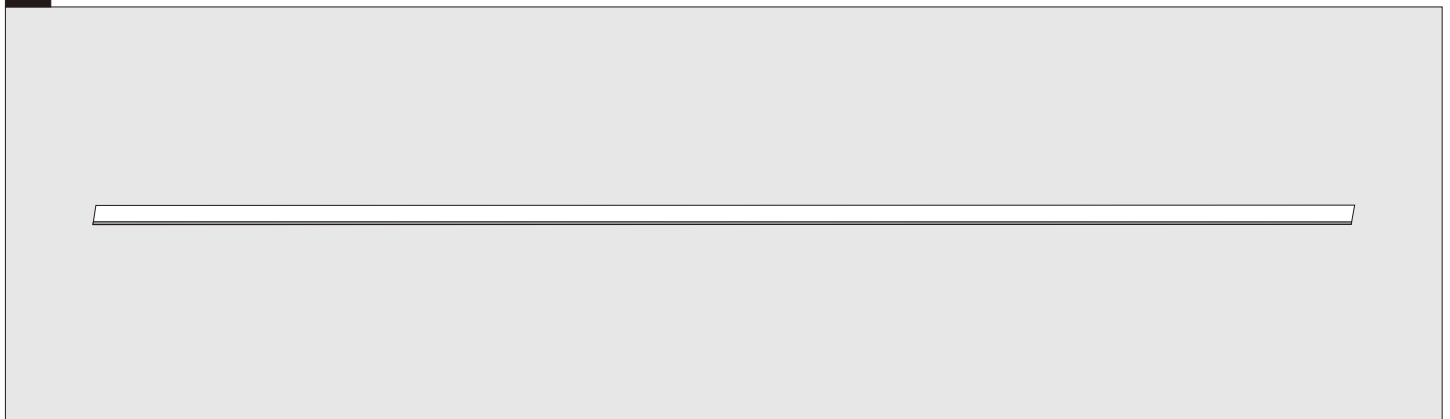
10 Plug the PC diffuser into the housing



11 Plaster and remove the film on the PC diffuser



12 Complete

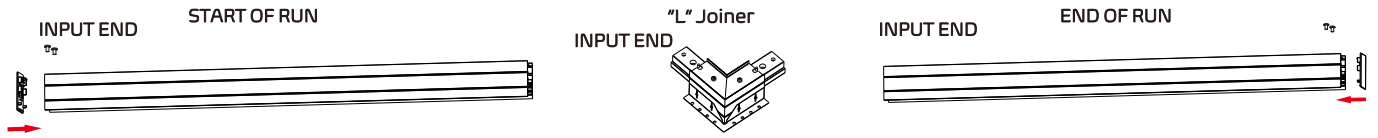


⚠ RISK OF FIRE AND ELECTRICAL SHOCK. FIXTURE MUST BE INSTALLED BY A QUALIFIED ELECTRICIAN ONLY IN ACCORDANCE WITH NATIONAL, LOCAL BUILDING AND ELECTRICAL CODES. DISCONNECT POWER AT ELECTRICAL PANEL BEFORE SERVICING.

MULTIPLE LUMINAIRES CONNECTION - L SHAPE CONNECTION

BEFORE CONNECTING

① Install the end caps



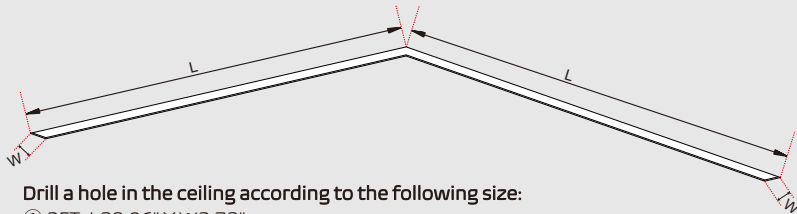
② Install drywall flange kit (A) and safety hanging plate (H) as shown



③ Secure the LED modules with aircraft cable and connect the DC male and female terminals



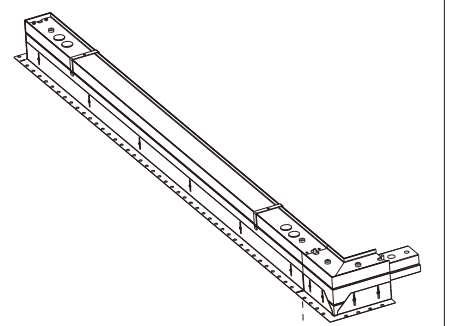
1 Drill a hole in the ceiling



Drill a hole in the ceiling according to the following size:

- ① 2FT: L29.06" X W2.72"
When continuous runs, each additional 2FT fixture, increase the length by 23.51".
- ② 3FT: L41.06" X W2.72"
When continuous runs, each additional 3FT fixture, increase the length by 35.51".
- ③ 4FT: L53.07" X W2.72"
When continuous runs, each additional 4FT fixture, increase the length by 47.52".
- ④ 8FT: L100.59" X W2.72"
When continuous runs, each additional 8FT fixture, increase the length by 95.04".

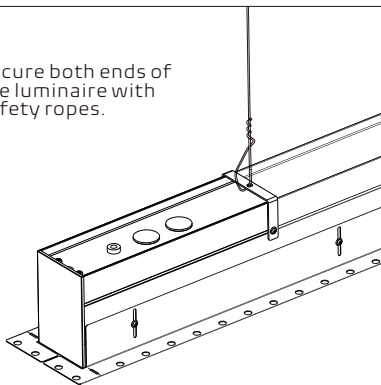
2



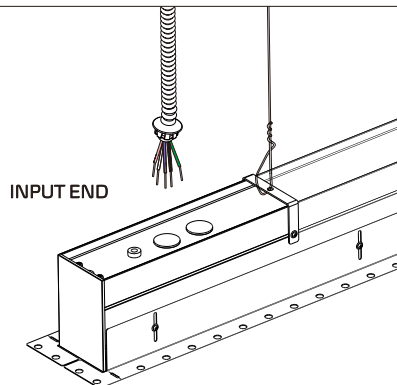
Connect the housing and L joiner by screws as shown.

3

Secure both ends of the luminaire with safety ropes.

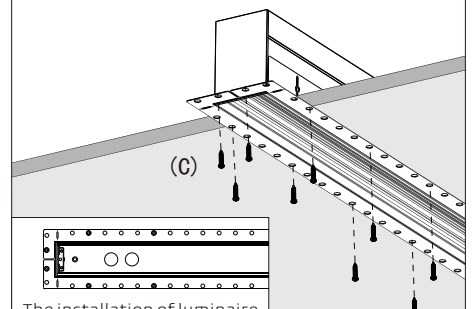


4 Wiring



5

Secure the luminaire (Start of run) to the ceiling by screws



The installation of luminaire (Start of run) completed

2.3" RECESSED LED

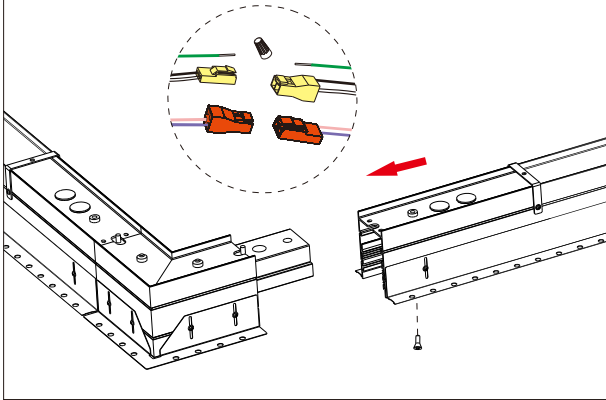
ARCHITECTURAL LED LUMINAIRE

DRY CEILING - MULTIPLE LUMINAIRES CONNECTION - L SHAPE CONNECTION

⚠ RISK OF FIRE AND ELECTRICAL SHOCK. FIXTURE MUST BE INSTALLED BY A QUALIFIED ELECTRICIAN ONLY IN ACCORDANCE WITH NATIONAL, LOCAL BUILDING AND ELECTRICAL CODES. DISCONNECT POWER AT ELECTRICAL PANEL BEFORE SERVICING.

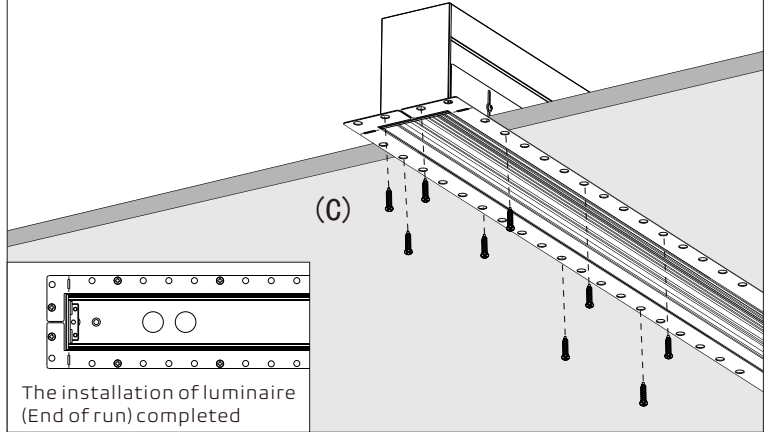
6

Connect the housing (End of run) and L joiner together as shown



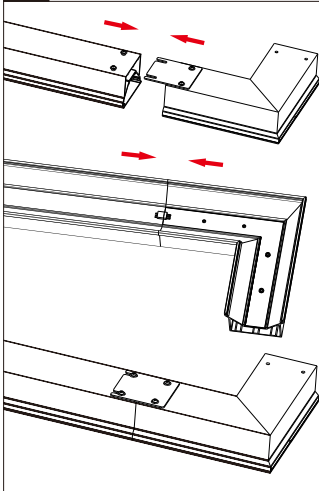
7

Secure the luminaire (End of run) to the ceiling by screws



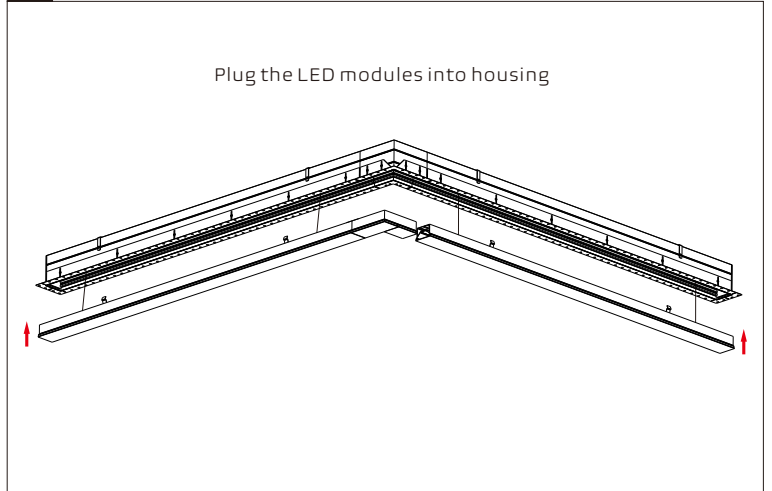
8

Half screw-in the screw at the end of the LED module (Start of run), then plug into the LED module of L joiner until the male and female terminals are connected correctly, screw it lastly.



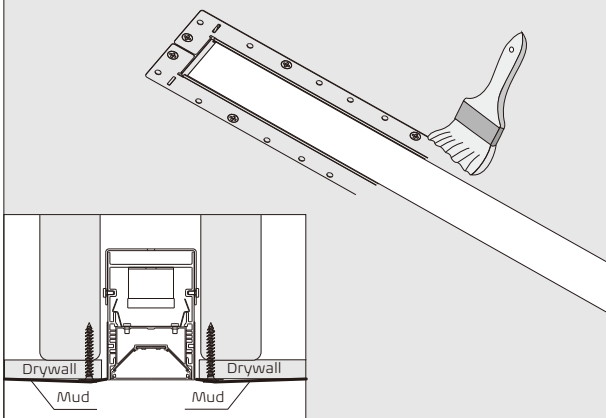
9

Plug the LED modules into housing

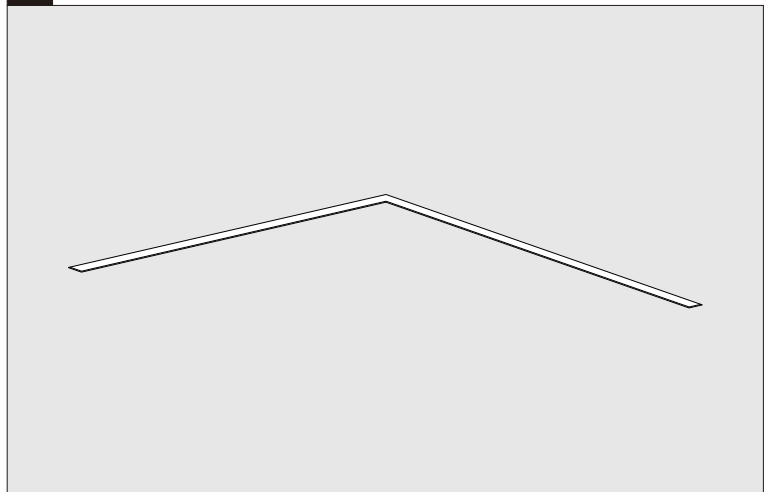


10

Plaster and remove the film on the PC diffuser



11 Complete



2.3" RECESSED LED

ARCHITECTURAL LED LUMINAIRE GRID CEILING

⚠️ RISK OF FIRE AND ELECTRICAL SHOCK. FIXTURE MUST BE INSTALLED BY A QUALIFIED ELECTRICIAN ONLY IN ACCORDANCE WITH NATIONAL, LOCAL BUILDING AND ELECTRICAL CODES. DISCONNECT POWER AT ELECTRICAL PANEL BEFORE SERVICING.

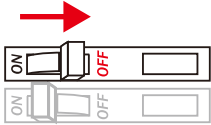
IMPORTANT

1. Read all instructions.
2. Install in accordance with national and local electrical code regulations.
3. This product is intended to be installed and serviced by a qualified, licensed electrician.
4. Do not install in wet locations. For dry and damp use only.
5. Turn off electrical power before installing or servicing fixture in any way.
6. To reduce the risk of fire and overheating, make sure all connections are tight.
7. Under no circumstances can the lighting fixture be covered with heat insulation gasket or similar materials.
8. The maximum connection of each input line is 40FT in 120AC, 100FT in 277AC.

SHOCK HAZARD

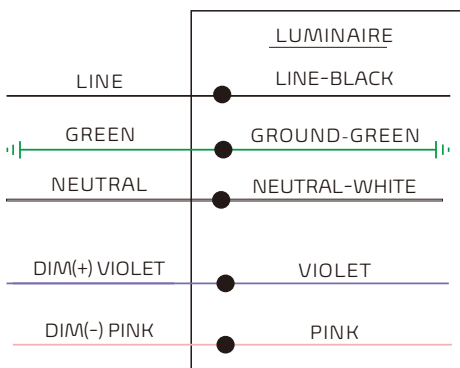


May result in serious injury or death. Turn power OFF at circuit breaker prior to installation or servicing.



WIRING





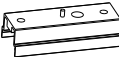
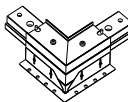
CORD / SUPPLY WIRING



Please isolate two dimming wires by P2 terminal individually if no need dimming; Must connect wires with corresponding colors as shown.

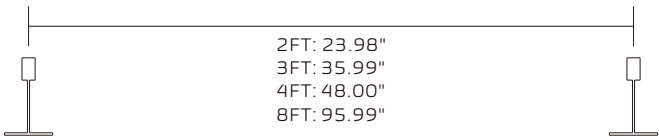
PARTS LISTS

MUD-IN DRYWALL

A  T-grid Hook	B  Screws Screws to fix the T-grid hook to the housing	C  PC diffuser	D  Silicone Seal Note: Silicone seal is used to seal seams that may appear at both ends of luminaires when multiple connections.
E  "-" Joiner	F  "L" Joiner		

Grid Ceiling Installation

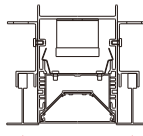
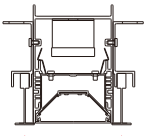
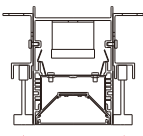
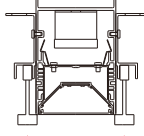
Centre-to-centre distance (Length) 9/16" Flat, 15/16" Flat, 9/16" Slot

	2FT: 23.98" 3FT: 35.99" 4FT: 48.00" 8FT: 95.99"
--	--

When continuous run:
 Each additional 2FT fixture, increase the length by 23.51".
 Each additional 3FT fixture, increase the length by 35.51".
 Each additional 4FT fixture, increase the length by 47.52".
 Each additional 8FT fixture, increase the length by 95.04".

Grid Ceiling Installation

Centre-to-centre distance (Width)

 3.22" 15/16" Flat	 2.84" 9/16" Flat	 2.91" 9/16" Slot-1	 2.84" 9/16" Slot-2
---	---	--	--

⚠ RISK OF FIRE AND ELECTRICAL SHOCK. FIXTURE MUST BE INSTALLED BY A QUALIFIED ELECTRICIAN ONLY IN ACCORDANCE WITH NATIONAL, LOCAL BUILDING AND ELECTRICAL CODES. DISCONNECT POWER AT ELECTRICAL PANEL BEFORE SERVICING.

INDIVIDUAL INSTALLATION

1

Install the T-grid hook on the housing by screws.
It can be moved up and down according to the different ceiling type.

2

Install end cap as shown

3

Secure the LED module with aircraft cable and connect the DC Male and female terminals

4

Install the luminaire in the T-grid

5

Secure the T-grid hooks with safety ropes

6 Wiring

INPUT END

7

Plug the LED module into housing

8 Complete

⚠ RISK OF FIRE AND ELECTRICAL SHOCK. FIXTURE MUST BE INSTALLED BY A QUALIFIED ELECTRICIAN ONLY IN ACCORDANCE WITH NATIONAL, LOCAL BUILDING AND ELECTRICAL CODES. DISCONNECT POWER AT ELECTRICAL PANEL BEFORE SERVICING.

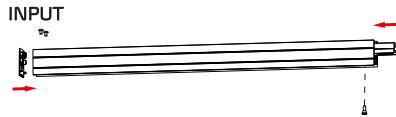
MULTIPLE LUMINAIRES CONNECTION – LINE CONNECTION

BEFORE CONNECTING

① Install the end caps and line joiners

START OF RUN

Install end caps and Line joiners as shown



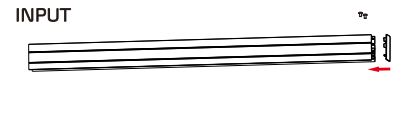
MIDDLE OF RUN

Install Line joiners as shown



END OF RUN

Install end caps as shown



② Install T-grid hooks (A) as shown

START OF RUN



MIDDLE OF RUN



END OF RUN



③ Secure the LED modules with aircraft cable and connect the DC male and female terminals

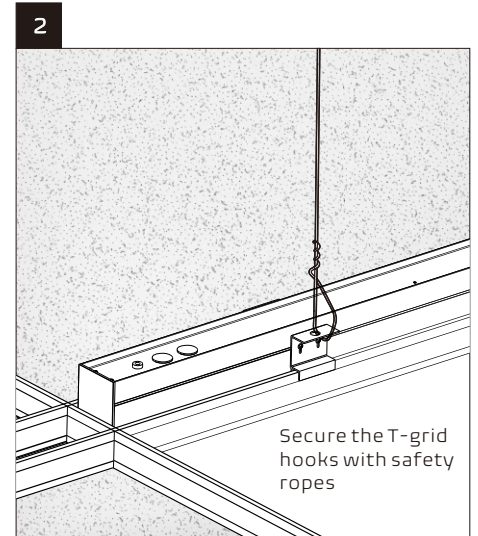
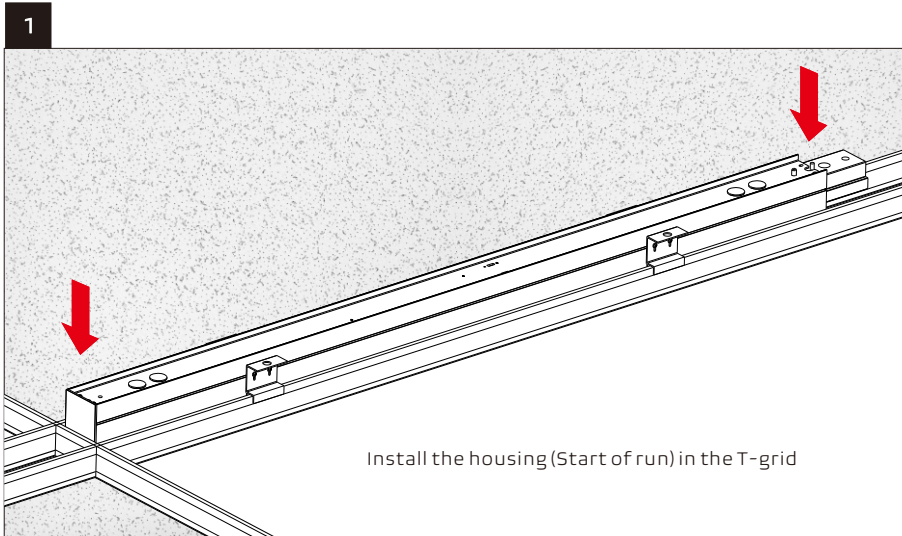
START OF RUN



MIDDLE OF RUN



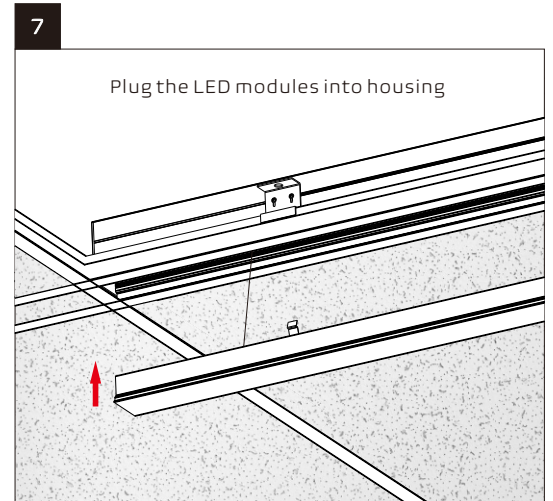
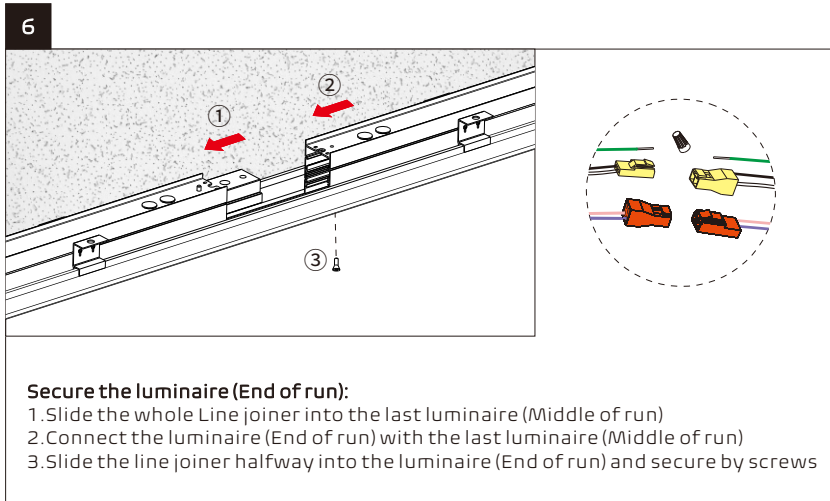
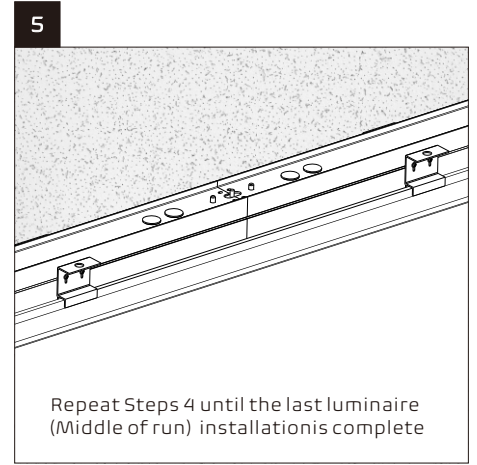
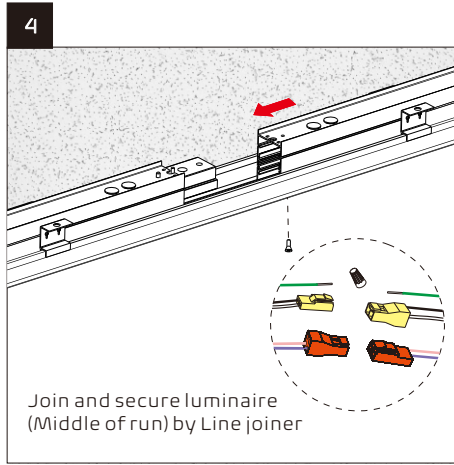
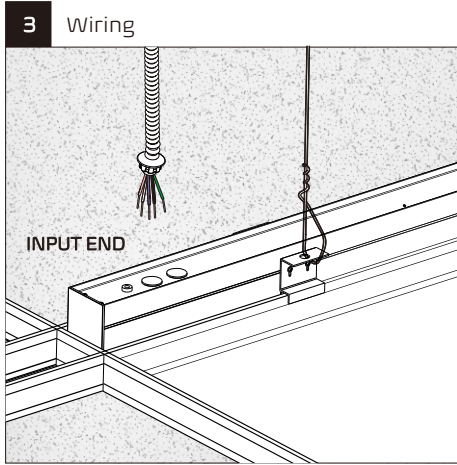
END OF RUN



2.3" RECESSED LED

ARCHITECTURAL LED LUMINAIRE GRID CEILING-MULTIPLE LUMINAIRES CONNECTION – LINE CONNECTION

⚠ RISK OF FIRE AND ELECTRICAL SHOCK. FIXTURE MUST BE INSTALLED BY A QUALIFIED ELECTRICIAN ONLY IN ACCORDANCE WITH NATIONAL, LOCAL BUILDING AND ELECTRICAL CODES. DISCONNECT POWER AT ELECTRICAL PANEL BEFORE SERVICING.

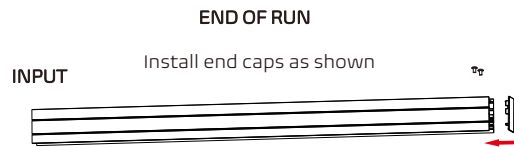
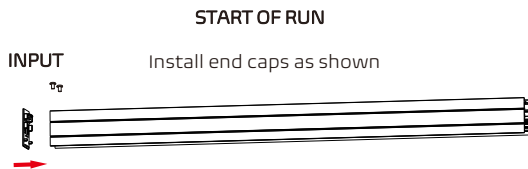


⚠ RISK OF FIRE AND ELECTRICAL SHOCK. FIXTURE MUST BE INSTALLED BY A QUALIFIED ELECTRICIAN ONLY IN ACCORDANCE WITH NATIONAL, LOCAL BUILDING AND ELECTRICAL CODES. DISCONNECT POWER AT ELECTRICAL PANEL BEFORE SERVICING.

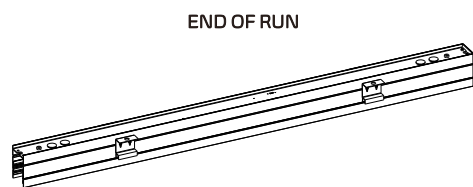
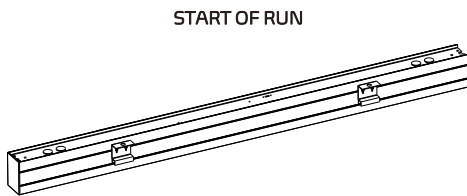
**MULTIPLE LUMINAIRES CONNECTION – L SHAPE CONNECTION
(Attention: It is only suitable for the ceiling which has L pattern)**

BEFORE CONNECTING

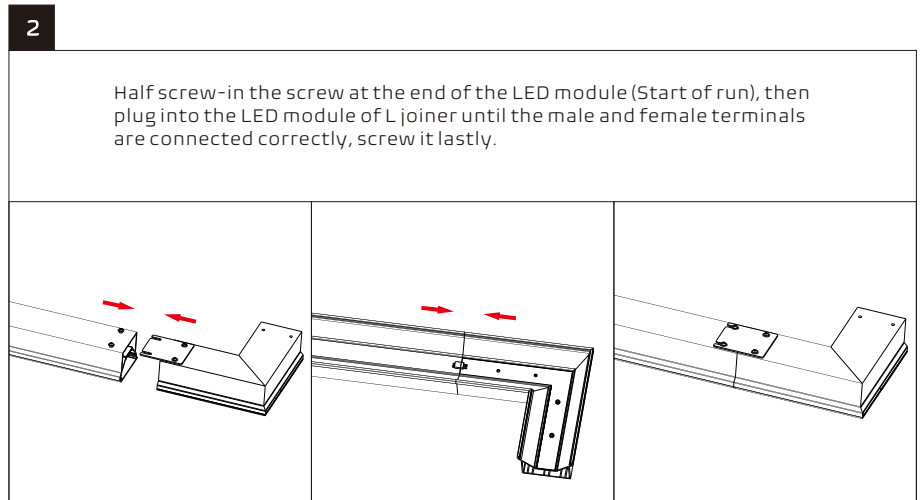
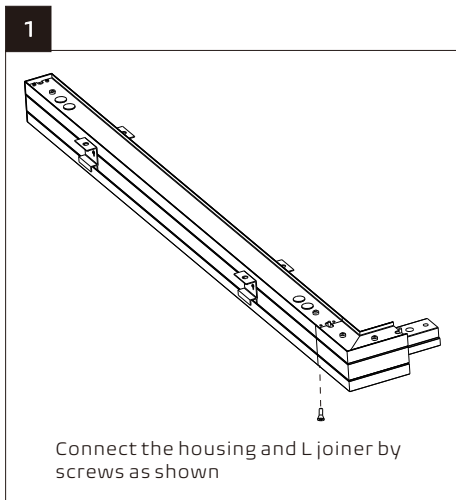
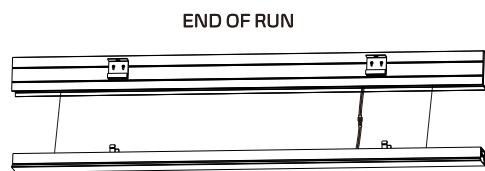
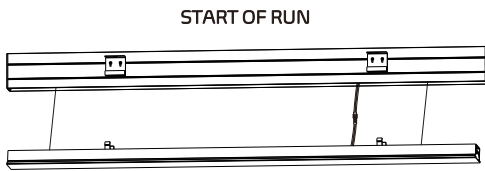
① Install the end caps



② Install T-grid hooks (A) as shown



③ Secure the LED modules with aircraft cable and connect the DC male and female terminals



2.3" RECESSED LED

ARCHITECTURAL LED LUMINAIRE GRID CEILING-MULTIPLE LUMINAIRES CONNECTION - L SHAPE CONNECTION

! RISK OF FIRE AND ELECTRICAL SHOCK. FIXTURE MUST BE INSTALLED BY A QUALIFIED ELECTRICIAN ONLY IN ACCORDANCE WITH NATIONAL, LOCAL BUILDING AND ELECTRICAL CODES. DISCONNECT POWER AT ELECTRICAL PANEL BEFORE SERVICING.

