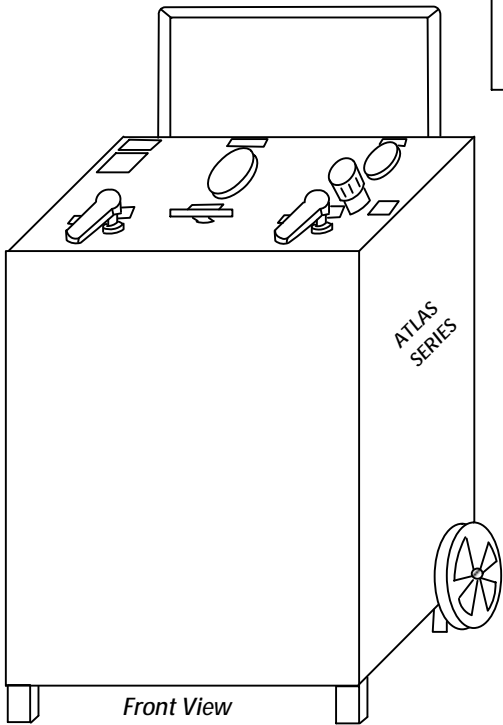
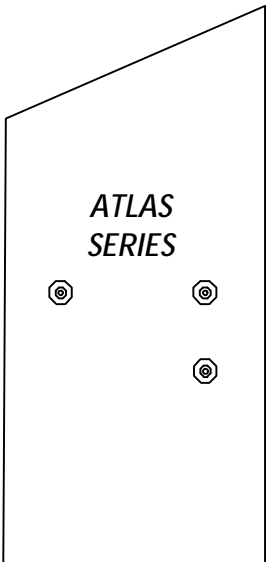
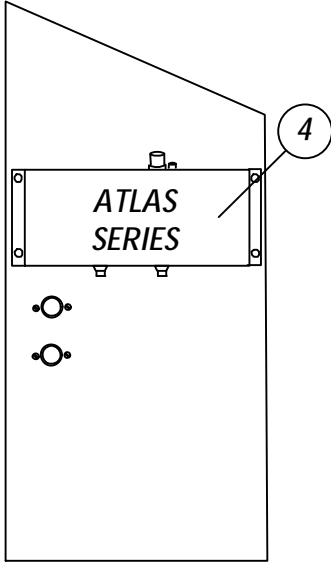
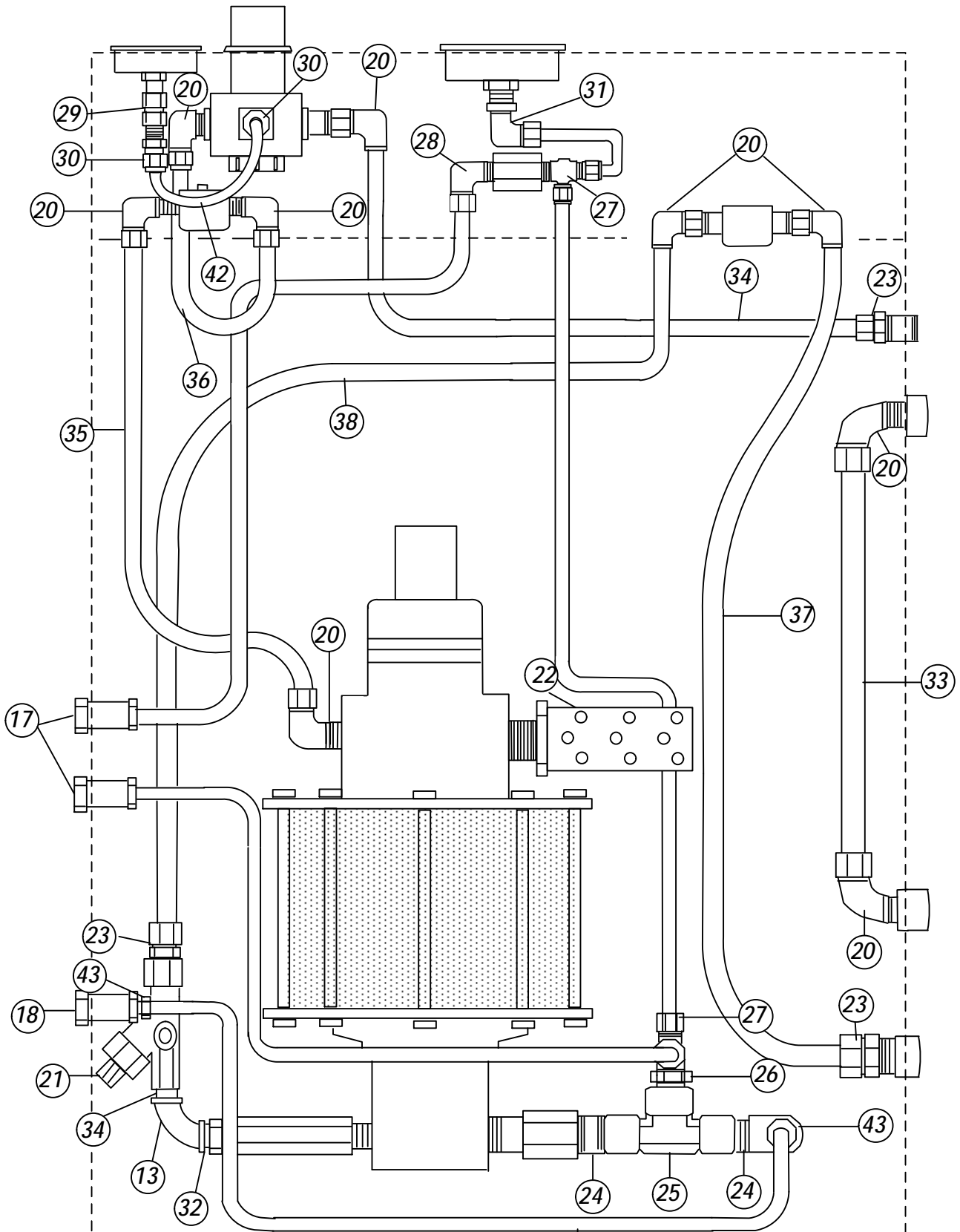


CABINET DETAIL



AT 10000
ATLAS Series

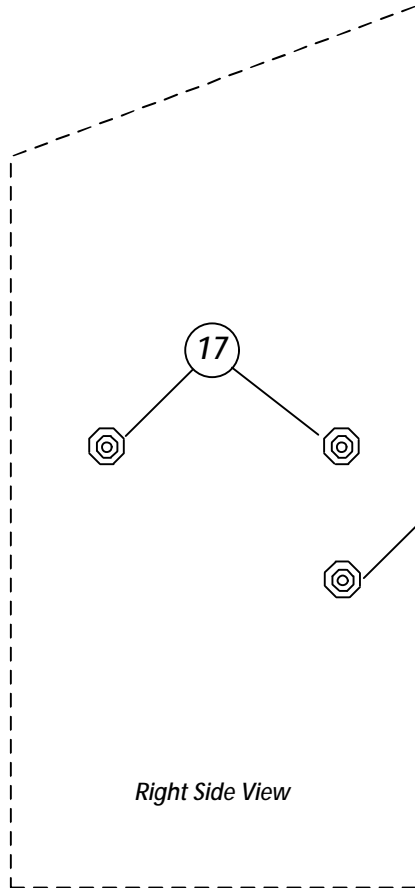
*Information is proprietary to Gulf Coast Tool and Repair
And can not be reproduced or copied without
Prior written consent.*



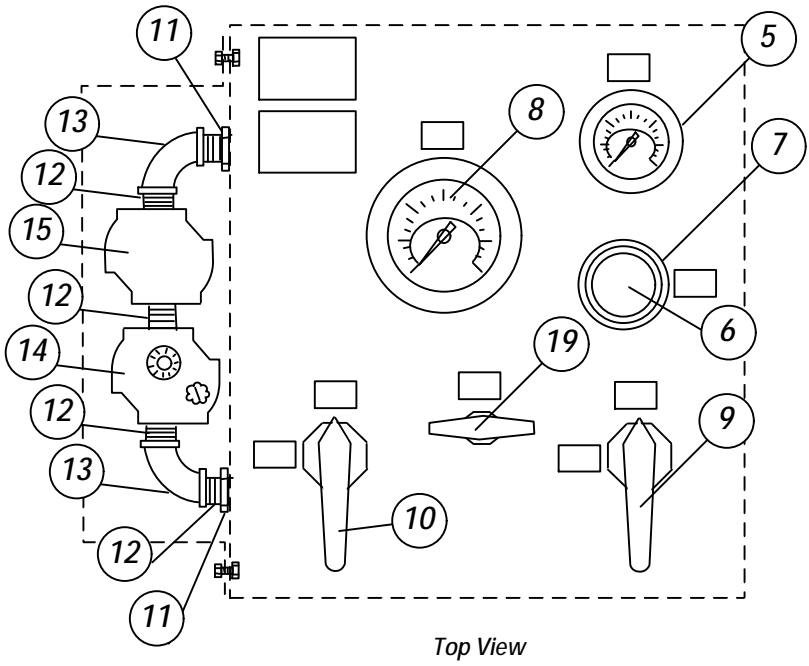
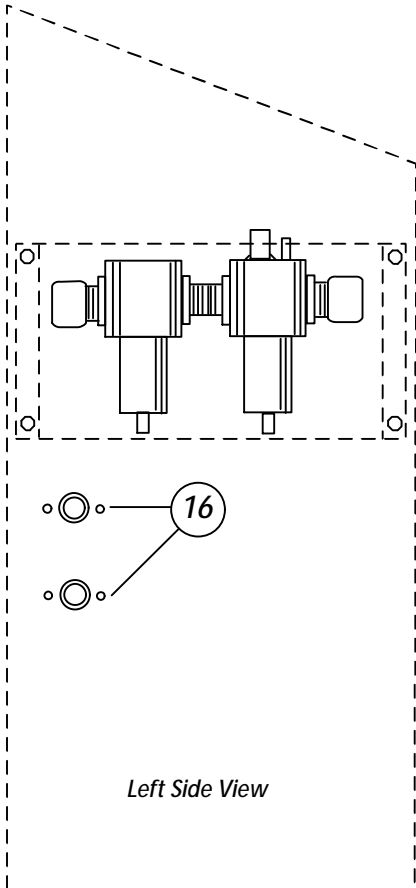
PARTS DETAIL

44 Rear View
Inside Cabinet

TA 10000
ATLAS Series



PARTS DETAIL



TA 10000
ATLAS Series

<i>Item #</i>	<i>Description</i>	<i>Part #</i>	<i>Qty. Req</i>
①	<i>Back Cover</i>	<i>GCT-AT-10000-1</i>	<i>1</i>
②	<i>Handle</i>	<i>GCT-AT-1-H</i>	<i>1</i>
③	<i>Console</i>	<i>GCT-TPMS-10000-2</i>	<i>1</i>
④	<i>Cover</i>	<i>GCT-TPMS-10000-3</i>	<i>1</i>
⑤	<i>Air Guage 0-200psi</i>	<i>GCT-20S-160-FP-B-GF</i>	<i>1</i>
⑥	<i>Pressure Regulator Assembly</i>	<i>GCT-R74G-4AK-RMN</i>	<i>1</i>
⑦	<i>Panel Nut</i>	<i>GCT-4348-89</i>	<i>1</i>
⑧	<i>Pressure Guage 10K</i>	<i>GCT-40S-10K-FP-B</i>	<i>1</i>
⑨	<i>Air Valve</i>	<i>GCT-B45F8</i>	<i>1</i>
⑩	<i>Water Valve</i>	<i>GCT-B45F8</i>	<i>1</i>
⑪	<i>Bulkhead Assembly</i>	<i>GCT-BBHA-8</i>	<i>2</i>
⑫	<i>Brass Nipple</i>	<i>GCT-BN5-1</i>	<i>6</i>
⑬	<i>Brass Elbow</i>	<i>GCT-BN5-E</i>	<i>3</i>
⑭	<i>Lubricator</i>	<i>GCT-L74C-4AP-QDN</i>	<i>1</i>
⑮	<i>Filter (air)</i>	<i>GCT-F74G-4AN-QD3</i>	<i>1</i>
⑯	<i>Bulkheads (air/water)</i>	<i>GCT-SS-BHA-8</i>	<i>2</i>
⑰	<i>High Pressure Bulkheads ¼" npt</i>	<i>GCT-SS-400-71-4</i>	<i>2</i>
⑱	<i>Bulkhead (pressure out)</i>	<i>GCT-POBHA-8</i>	<i>1</i>
⑲	<i>Needle Valve</i>	<i>GCT-UN2N5-PM</i>	<i>1</i>
⑳	<i>Brass Tube Elbow</i>	<i>GCT-B-810-2-8</i>	<i>9</i>
㉑	<i>Water Filter</i>	<i>GCT-1RNB4</i>	<i>1</i>
㉒	<i>Muffler</i>	<i>GCT-5500 A 6003</i>	<i>1</i>
㉓	<i>Brass Tube Fitting</i>	<i>GCT-B-810-1-8</i>	<i>3</i>
㉔	<i>S.S. Nipple</i>	<i>GCT-SS-8-CN</i>	<i>2</i>
㉕	<i>S.S. Tee ½"</i>	<i>GCT-SS-8-T</i>	<i>1</i>
㉖	<i>S.S Reducing Bushing</i>	<i>GCT-SS-8-RB-4</i>	<i>1</i>
㉗	<i>S.S. Tee ¼"</i>	<i>GCT-SS-400-3-4TMT</i>	<i>2</i>
㉘	<i>S.S. Elbow ¼"</i>	<i>GCT-SS-400-2-4</i>	<i>1</i>
㉙	<i>S.S Hex Coupling</i>	<i>GCT-SS-4-HCG</i>	<i>1</i>

<i>Item #</i>	<i>Description</i>	<i>Part #</i>	<i>Qty. Req</i>
③⑩	<i>Brass Tube Fitting ¼"</i>	<i>GCT-B-400-1-4</i>	<i>2</i>
③①	<i>S.S. Tube Fitting ¼"</i>	<i>GCT-SS-400-8-4</i>	<i>1</i>
③②	<i>Brass Nipple ½"</i>	<i>GCT-BN5-1</i>	<i>2</i>
③③	<i>Air Poly Tubing Assembly</i>	<i>GCT-PT-810-NFSET-1</i>	<i>1</i>
③④	<i>Air Poly Tubing Assembly</i>	<i>GCT-PT-810-NFSET-2</i>	<i>1</i>
③⑤	<i>Air Poly Tubing Assembly</i>	<i>GCT-PT-810-NFSET-3</i>	<i>1</i>
③⑥	<i>Air Poly Tubing Assembly</i>	<i>GCT-PT-810-NFSET-4</i>	<i>1</i>
③⑦	<i>Water Poly Tubing Assembly</i>	<i>GCT-PT-810-NFSET-5</i>	<i>1</i>
③⑧	<i>Water Poly Tubing Assembly</i>	<i>GCT-PT-810-NFSET-6</i>	<i>1</i>
③⑨	<i>Wheels</i>	<i>GCT-10.5-58</i>	<i>2</i>
④⑩	<i>Axle</i>	<i>GCT-58AXLE</i>	<i>1</i>
④①	<i>Axle Collars</i>	<i>GCT-2X569</i>	<i>2</i>
④②	<i>Air Guage Poly Tubing Assembly</i>	<i>GCT-AG-PTA</i>	<i>1</i>
④③	<i>S.S Tube Fitting</i>	<i>GCT-SS-810-1-6</i>	<i>2</i>
④④	<i>S.S Tube Assembly</i>	<i>GCT-3/8-.065PT</i>	<i>1</i>

NOT SHOWN:

<i>High Pressure Hose 15'</i>	<i>Standard GCT-10000-15</i>
<i>High Pressure Hose 25'</i>	<i>Optional GCT-10000-25</i>
<i>High Pressure Hose 50'</i>	<i>Optional GCT-10000-50</i>
<i>High Pressure Hose 100'</i>	<i>Optional GCT-10000-100</i>
<i>Label Kit</i>	<i>GCT-LK-AT-10000</i>
<i>Hardware Kit</i>	<i>GCT-AT-10000SSHDKIT</i>

<i>TA 10000</i>
<i>ATLAS Series</i>