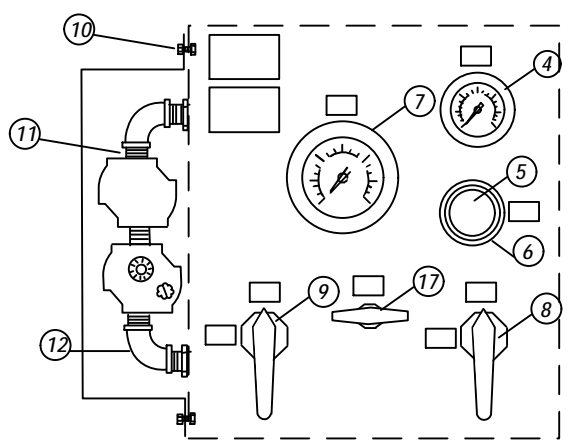
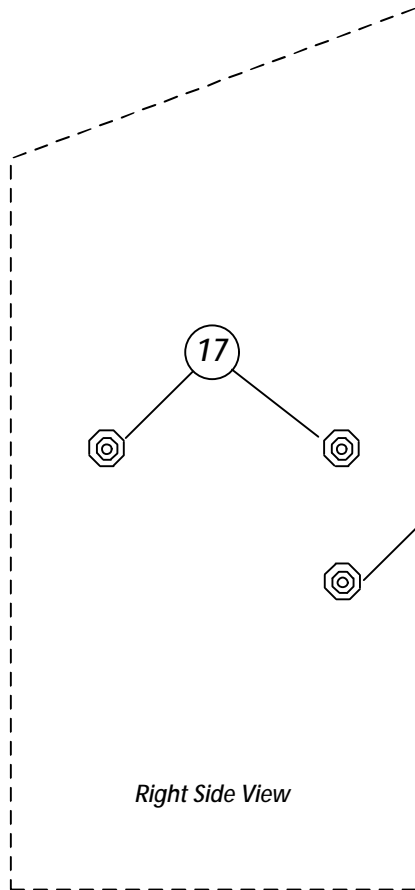


PARTS DETAIL

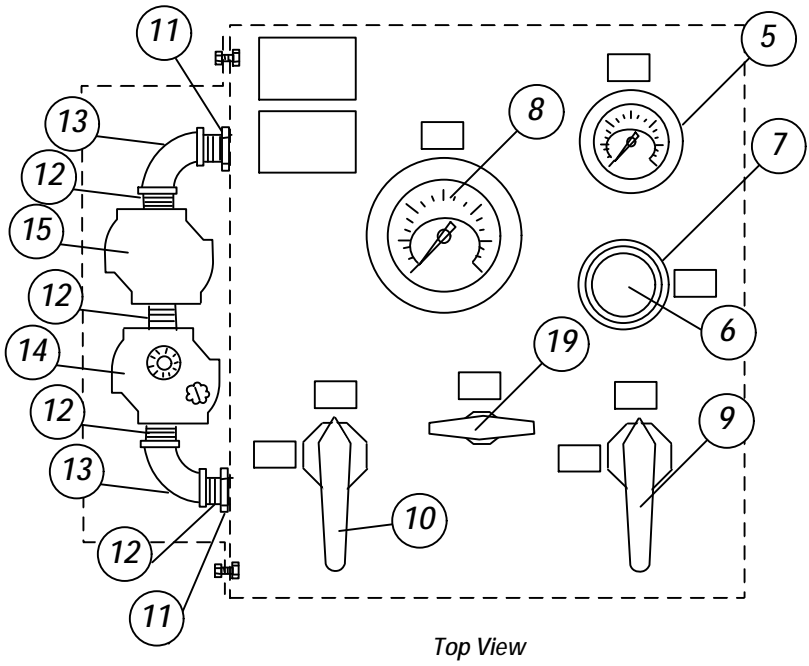
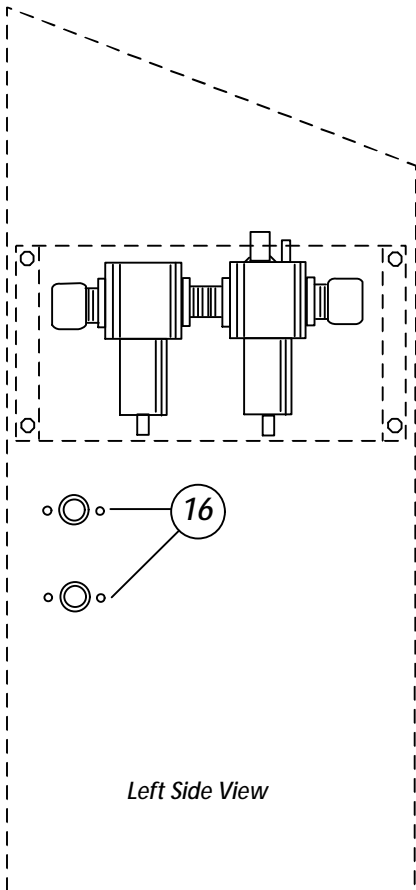


AT 50000
ATLAS SERIES

*Information is proprietary to Gulf Coast Tool and Rental
And can not be reproduced or copied without
Prior written consent.*



PARTS DETAIL



TA 10000
ATLAS Series

<i>Item #</i>	<i>Description</i>	<i>Part #</i>	<i>Qty. Req</i>
①	<i>Back Cover</i>	<i>GCT-AT-250001</i>	<i>1</i>
②	<i>Console</i>	<i>GCT-AT-250002</i>	<i>1</i>
③	<i>Cover</i>	<i>GCT-AT-250003</i>	<i>1</i>
④	<i>Air Gauge 2-200 PSI</i>	<i>GCT-20S-160-FP-B-GF</i>	<i>1</i>
⑤	<i>Pressure Regulator Assembly</i>	<i>GCT-R74G-4AK-RMN</i>	<i>1</i>
⑥	<i>Panel Nut</i>	<i>GCT-4348-89</i>	<i>1</i>
⑦	<i>Pressure Gauge 6"</i>	<i>GCT-61S-50K-FP-S-B-¼"HPF-GF</i>	<i>1</i>
⑧	<i>Air Valve</i>	<i>GCT-B45F8</i>	<i>1</i>
⑨	<i>Water Valve</i>	<i>GCT-B45F8</i>	<i>1</i>
⑩	<i>Bulkhead Assembly</i>	<i>GCT-BBHA-8</i>	<i>1</i>
⑪	<i>Brass Nipple</i>	<i>GCT-BN5-1</i>	<i>6</i>
⑫	<i>Brass Elbow</i>	<i>GCT-BN5-E</i>	<i>2</i>
⑬	<i>Lubricator</i>	<i>GCT-L74C-4AP-QDN</i>	<i>1</i>
⑭	<i>Filter (Air)</i>	<i>GCT-F74G-4AN-QD3</i>	<i>1</i>
⑮	<i>Bulkheads Air/Water</i>	<i>GCT-SS-BHA-8</i>	<i>2</i>
⑯	<i>High Pressure Bulkheads ¼" HPF</i>	<i>GCT-60BF-4433</i>	<i>3</i>
⑰	<i>Needle Valve</i>	<i>GCT-30VM4081</i>	<i>1</i>
⑱	<i>Brass Tube Elbow</i>	<i>GCT-B-810-2-8</i>	<i>10</i>
⑲	<i>Elbow High Pressure</i>	<i>GCT-CL4400</i>	<i>5</i>
⑳	<i>Tee High Pressure</i>	<i>GCT-CT444D</i>	<i>3</i>
㉑	<i>Water Filter</i>	<i>GCT-1RNB4</i>	<i>1</i>
㉒	<i>Muffler</i>	<i>GCT-5500 A 6003</i>	<i>1</i>
㉓	<i>Brass Tube Fitting</i>	<i>GCT-B-810-1-8</i>	<i>2</i>
㉔	<i>High Pressure Nipple 3"</i>	<i>GCT-CN4403</i>	<i>5</i>
㉕	<i>High Pressure Nipple 4"</i>	<i>GCT-CN4404</i>	<i>2</i>
㉖	<i>High Pressure Nipple 8"</i>	<i>GCT-CN4408</i>	<i>1</i>
㉗	<i>High Pressure Nipple 6"</i>	<i>GCT-CN4406</i>	<i>1</i>
㉘	<i>High Pressure Tube Assembly</i>	<i>GCT-HPTA-4-NV-1</i>	<i>1</i>
㉙	<i>High Pressure Tube Assembly</i>	<i>GCT-HPTA-4-NV-2</i>	<i>1</i>

<i>Item #</i>	<i>Description</i>	<i>Part #</i>	<i>Qty. Req</i>
③⑩	<i>Air Poly Tubing Assembly</i>	<i>GCT-PT-810-NFSET-1</i>	<i>1</i>
③①	<i>Air Poly Tubing Assembly</i>	<i>GCT-PT-810-NFSET-2</i>	<i>1</i>
③②	<i>Air Poly Tubing Assembly</i>	<i>GCT-PT-810-NFSET-3</i>	<i>1</i>
③③	<i>Air Poly Tubing Assembly</i>	<i>GCT-PT-810-NFSET-4</i>	<i>1</i>
③④	<i>Water Poly Tubing Assembly</i>	<i>GCT-PT-810-NFSET-5</i>	<i>1</i>
③⑤	<i>Water Poly Tubing Assembly</i>	<i>GCT-PT-810-NFSET-6</i>	<i>1</i>
③⑥	<i>Wheels</i>	<i>GCT-10.5-58</i>	<i>2</i>
③⑦	<i>Axle</i>	<i>GCT-58AXLE</i>	<i>1</i>
③⑧	<i>Axle Collars</i>	<i>GCT-2X569</i>	<i>2</i>
③⑨	<i>Air Gauge Poly Tubing Assembly</i>	<i>GCT-AG-PTA</i>	<i>1</i>
④⑩	<i>Handle Assembly</i>	<i>GCT-1-H</i>	<i>1</i>

NOT SHOWN:

<i>High Pressure Hose 20' ¼" HPM</i>	<i>GCT-50K-20</i>
<i>High Pressure Hose 50' ¼" HPM</i>	<i>GCT-50K-50</i>
<i>High Pressure Hose 100' ¼" HPM</i>	<i>GCT-50K-100</i>
<i>Label Kit</i>	<i>GCT-LK-50K</i>
<i>Hardware Kit</i>	<i>GCT-SSHDKIT</i>

<i>AT 50000</i>
<i>ATLAS SERIES</i>