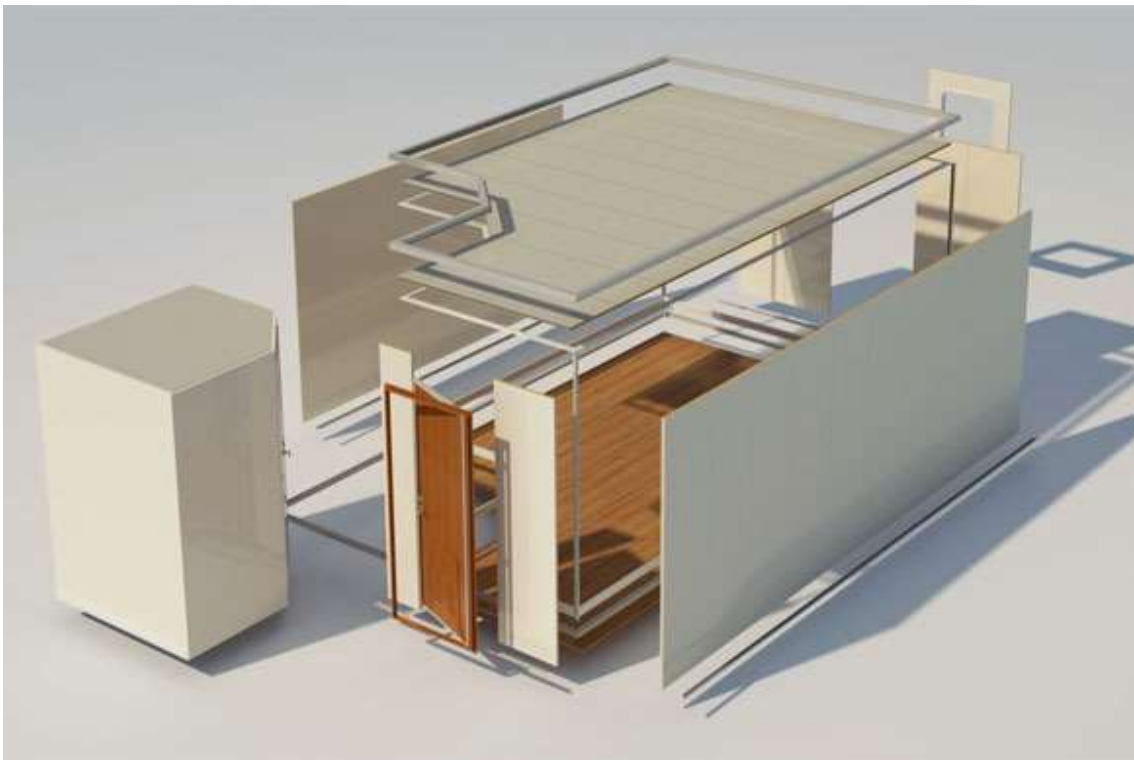




Marine Accommodation Products

Product Guide 2022



“Providing quality Approved marine accommodation products from stock”

Introduction

With over 25 years' experience providing high quality marine accommodation materials to customers worldwide, B15 Marine Ltd, in conjunction with international partners, have identified and established a stock of IMO Approved products for immediate dispatch from our warehouse in Holland.

In addition to our stock range, we can bespoke manufacture our products to individual customer specifications.

All of our products are supplied with a Marine Equipment Directive (MED) Approval and are covered by our 12-month warranty.

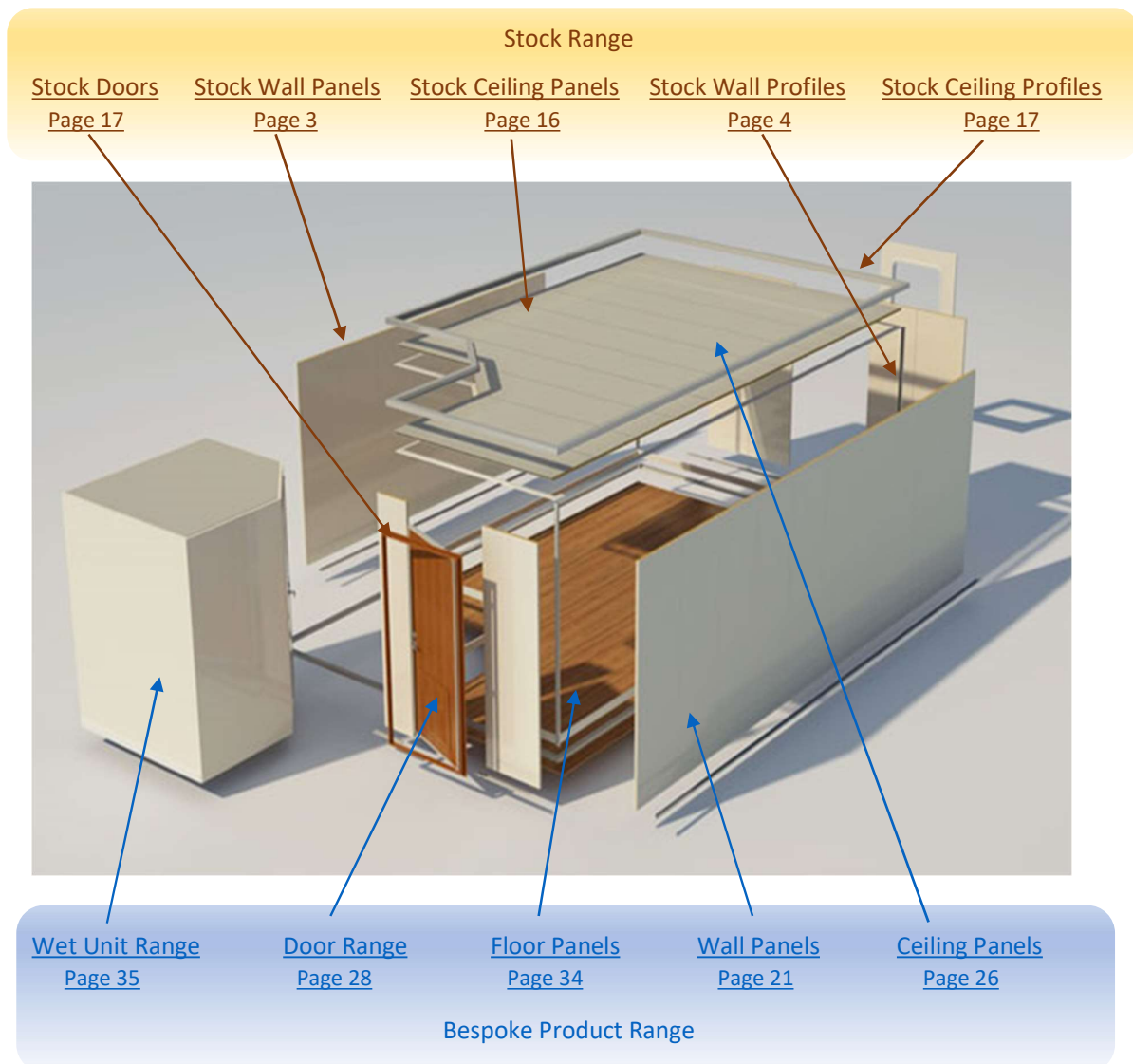
Quick Links to our stock panel ranges:

[Stock Soft Core Panels](#)

[Stock Solid Core Panels](#)

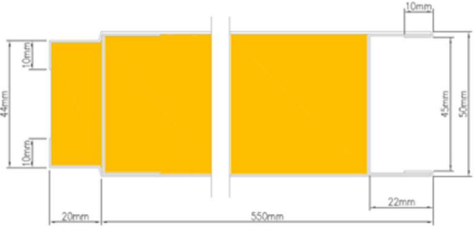
[Stock Aluminium Honeycomb Panels](#)


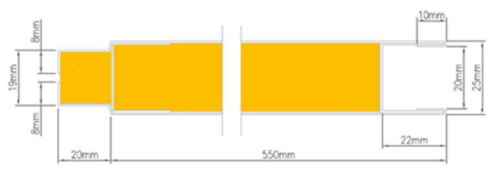
[Stock Floating Floor Panels](#)



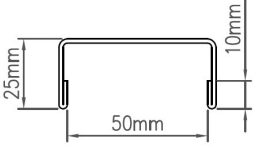
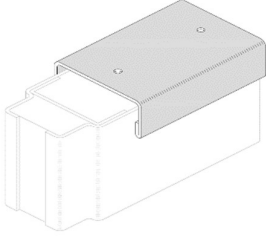
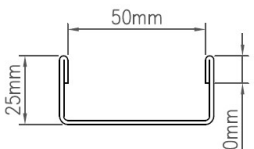
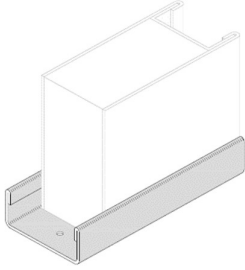
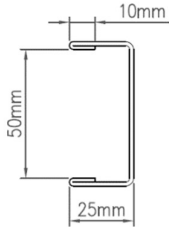
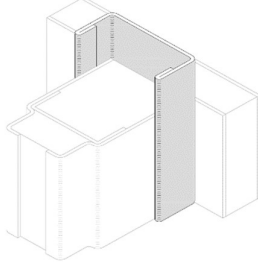
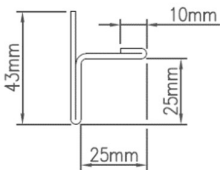
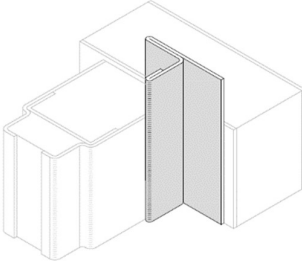
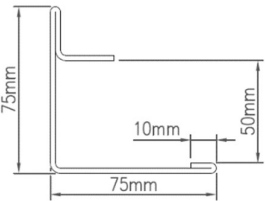
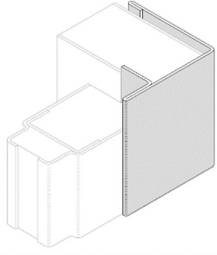
Stock Products

Stock 'Soft Core' Wall Panels

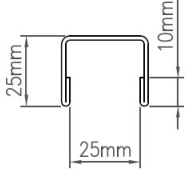
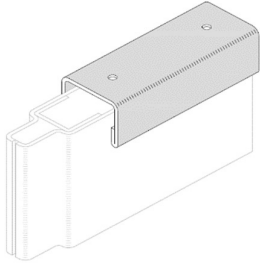
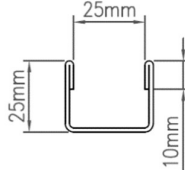
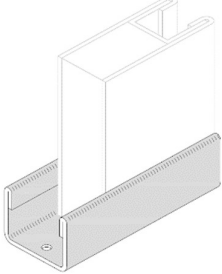
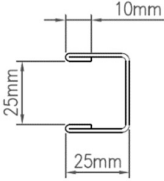
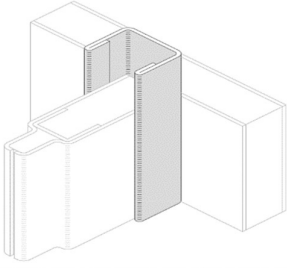
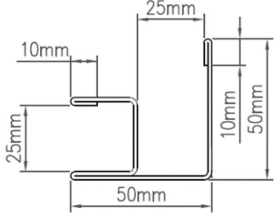
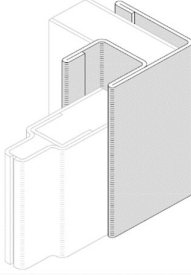
Type 'A' Partition Panel	
	<p>Panel: JCP-B3 Partition</p> <p>Type: Type 'A' T&G Joint</p> <p>Fire Class: B15</p> <p>Thickness: 50mm</p> <p>Height: 2200mm 2400mm</p> <p>Width: 550mm</p> <p>Weight: 18.6kg/m²</p> <p>Sound Reduction (Rw): 35dB</p> <p>Finish: Gislaved 027-1058 (White) Both Faces</p> <p>HS Code: 7308905100</p>
	

Type 'A' Lining Panel	
	<p>Panel: JCP-L3 Lining</p> <p>Type: Type 'A' T&G Joint</p> <p>Fire Class: B15</p> <p>Thickness: 25mm</p> <p>Height: 2200mm 2400mm 2980mm</p> <p>Width: 550mm</p> <p>Weight: 15.2kg/m²</p> <p>Sound Reduction (Rw): 31dB</p> <p>Finish: Gislaved 027-1058 (White) Galvanised Steel Reverse</p> <p>HS Code: 7308905100</p>
	

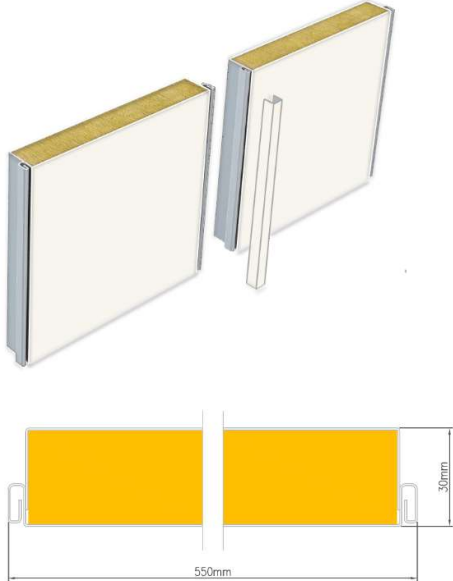
Stock 'Soft Core' Partition Panel Profiles

<p>FB02(T) Top Profile</p> 		<p>Length: 3000mm Thickness: 1mm Weight: 0.94 Kg/m Finish: Galvanised Steel HS Code: 7308905100 Notes: 1. Supplied with 5mm Diameter Holes at 375mm Spacing</p>
<p>FB02(B) Bottom Profile</p> 		<p>Length: 3000mm Thickness: 1mm Weight: 0.94 Kg/m Finish: Galvanised Steel HS Code: 7308905100 Notes: 1. Supplied with 5mm Diameter Holes at 375mm Spacing</p>
<p>FB08 End Profile</p> 		<p>Length: 2200mm Thickness: 0.6mm Weight: 0.57 Kg/m Finish: PVC Foil Stock Finish: Gislaved 027-1058 (White) HS Code: 7308905100</p>
<p>FB07 Internal Angle Profile</p> 		<p>Length: 2200mm Thickness: 0.6mm Weight: 0.49 Kg/m Finish: PVC Foil Stock Finish: Gislaved 027-1058 (White) HS Code: 7308905100</p>
<p>FB09 External Angle Profile</p> 		<p>Length: 2200mm Thickness: 0.6mm Weight: 0.99 Kg/m Finish: PVC Foil Stock Finish: Gislaved 027-1058 (White) HS Code: 7308905100</p>

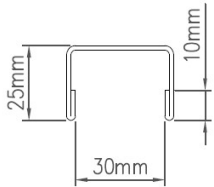
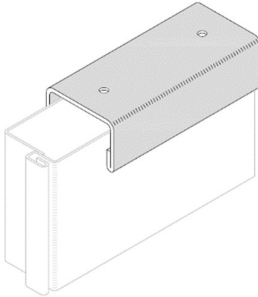
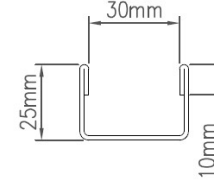
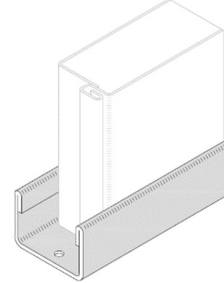
Stock 'Soft Core' Lining Panel Profiles

<p>FL08(T) Top Profile</p> 		<p>Length: 3000mm Thickness: 1mm Weight: 0.75 Kg/m Finish: Galvanised Steel HS Code: 7308905100 Notes 1. Supplied with 5mm Diameter Holes at 375mm Spacing</p>
<p>FL08(B) Bottom Profile</p> 		<p>Length: 3000mm Thickness: 1mm Weight: 0.75 Kg/m Finish: Galvanised Steel HS Code: 7308905100 Notes 1. Supplied with 5mm Diameter Holes at 375mm Spacing</p>
<p>FL14 End Profile</p> 		<p>Length: 2200mm 2980mm Thickness: 0.6mm Weight: 0.45 Kg/m Finish: PVC Foil Stock Finish: Gislaved 027-1058 (White) HS Code: 7308905100</p>
<p>FL13 Corner Profile</p> 		<p>Length: 2200mm Thickness: 0.6mm Weight: 0.92 Kg/m Finish: PVC Foil Stock Finish: Gislaved 027-1058 (White) HS Code: 7308905100</p>

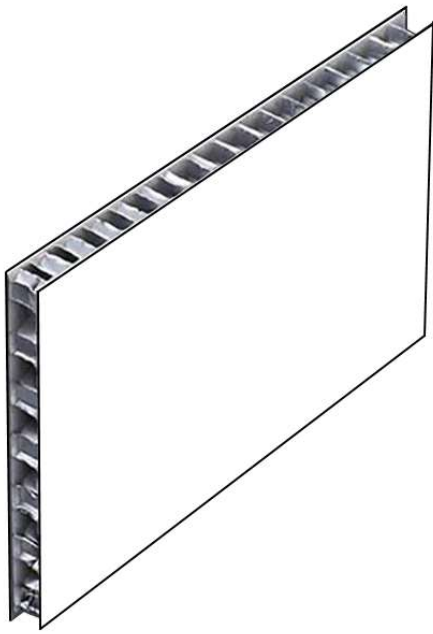
Type 'C' Lining Panels


<p>Type 'C' Lining Panel</p> 	<p>Panel: JCP-L1 Lining</p> <p>Type: Type 'C' Clip Joint</p> <p>Fire Class: B15</p> <p>Thickness: 30mm</p> <p>Height: 2400mm</p> <p>Width: 550mm</p> <p>Weight: 15.9kg/m²</p> <p>Sound Reduction (Rw): 33dB</p> <p>Finish: Gislaved 027-1058 (White) Galvanised Steel Reverse</p> <p>HS Code: 7308905100</p> <p>Notes</p> <ol style="list-style-type: none"> Each panel supplied with one 'C' Clip.
--	--

Stock 'Soft Core' Type 'C' Lining Panel Profiles


<p>FL02(T) Top Profile</p> 		<p>Length: 3000mm</p> <p>Thickness: 1mm</p> <p>Weight: 0.8 Kg/m</p> <p>Finish: Galvanised Steel</p> <p>HS Code: 7308905100</p> <p>Notes</p> <ol style="list-style-type: none"> Supplied with 5mm Diameter Holes at 375mm Spacing
<p>FL02(B) Bottom Profile</p> 		<p>Length: 3000mm</p> <p>Thickness: 1mm</p> <p>Weight: 0.8 Kg/m</p> <p>Finish: Galvanised Steel</p> <p>HS Code: 7308905100</p> <p>Notes</p> <ol style="list-style-type: none"> Supplied with 5mm Diameter Holes at 375mm Spacing


Stock Aluminium Honeycomb Panel System

Lining Panel – Painted Finish (1mm Facings)																													
	<table border="0"> <tr> <td>Panel:</td> <td>Aluminium Honeycomb</td> </tr> <tr> <td>Type:</td> <td>1.0mm thick Facing 1.0mm thick Reverse</td> </tr> <tr> <td>Overall Thickness:</td> <td>10mm</td> </tr> <tr> <td>Fire Class</td> <td></td> </tr> <tr> <td> Panel:</td> <td>Non-Combustible – ‘C’ Class</td> </tr> <tr> <td> Paint/Primer:</td> <td>Low Flame Spread</td> </tr> <tr> <td>Height:</td> <td>2500mm,</td> </tr> <tr> <td>Width:</td> <td>1250mm</td> </tr> <tr> <td>Weight:</td> <td>6.4 kg/m²</td> </tr> <tr> <td>Sound Reduction (Rw):</td> <td>20 dB</td> </tr> <tr> <td>Finish:</td> <td>Painted RAL 9010 Facing Primer Reverse (Grey)</td> </tr> <tr> <td>HS Code:</td> <td>7606129900</td> </tr> <tr> <td>Notes</td> <td></td> </tr> <tr> <td></td> <td> <ol style="list-style-type: none"> 1. Stock panels are supplied with protective foil on décor side. 2. Reverse side is supplied with a primer finish. 3. Available from stock in The Netherlands. 4. Other finishes available upon request. 5. Internal use only. </td> </tr> </table>	Panel:	Aluminium Honeycomb	Type:	1.0mm thick Facing 1.0mm thick Reverse	Overall Thickness:	10mm	Fire Class		Panel:	Non-Combustible – ‘C’ Class	Paint/Primer:	Low Flame Spread	Height:	2500mm,	Width:	1250mm	Weight:	6.4 kg/m ²	Sound Reduction (Rw):	20 dB	Finish:	Painted RAL 9010 Facing Primer Reverse (Grey)	HS Code:	7606129900	Notes			<ol style="list-style-type: none"> 1. Stock panels are supplied with protective foil on décor side. 2. Reverse side is supplied with a primer finish. 3. Available from stock in The Netherlands. 4. Other finishes available upon request. 5. Internal use only.
Panel:	Aluminium Honeycomb																												
Type:	1.0mm thick Facing 1.0mm thick Reverse																												
Overall Thickness:	10mm																												
Fire Class																													
Panel:	Non-Combustible – ‘C’ Class																												
Paint/Primer:	Low Flame Spread																												
Height:	2500mm,																												
Width:	1250mm																												
Weight:	6.4 kg/m ²																												
Sound Reduction (Rw):	20 dB																												
Finish:	Painted RAL 9010 Facing Primer Reverse (Grey)																												
HS Code:	7606129900																												
Notes																													
	<ol style="list-style-type: none"> 1. Stock panels are supplied with protective foil on décor side. 2. Reverse side is supplied with a primer finish. 3. Available from stock in The Netherlands. 4. Other finishes available upon request. 5. Internal use only. 																												

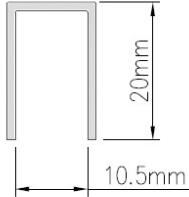
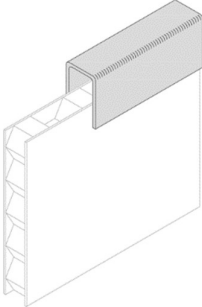
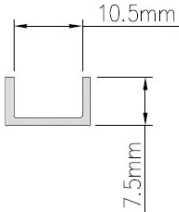
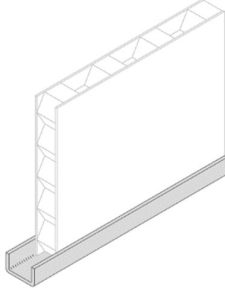
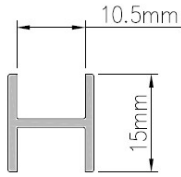
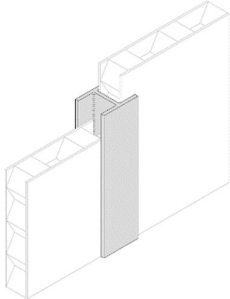
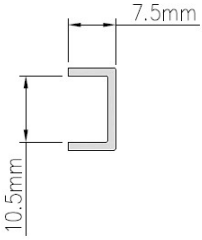
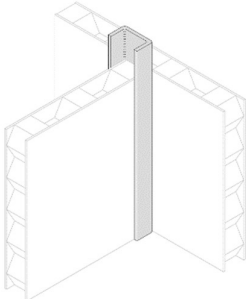
Lining Panel – Primed Finish (1mm Facings)																													
	<table border="0"> <tr> <td>Panel:</td> <td>Aluminium Honeycomb</td> </tr> <tr> <td>Type:</td> <td>1.0mm thick Facing 1.0mm thick Reverse</td> </tr> <tr> <td>Overall Thickness:</td> <td>10mm</td> </tr> <tr> <td>Fire Class</td> <td></td> </tr> <tr> <td> Panel:</td> <td>Non-Combustible – ‘C’ Class</td> </tr> <tr> <td> Primer:</td> <td>Low Flame Spread</td> </tr> <tr> <td>Height:</td> <td>2500mm, 3000mm</td> </tr> <tr> <td>Width:</td> <td>1250mm</td> </tr> <tr> <td>Weight:</td> <td>6.4 kg/m²</td> </tr> <tr> <td>Sound Reduction (Rw):</td> <td>20 dB</td> </tr> <tr> <td>Finish:</td> <td>Primer Facing (Grey) Primer Reverse (Grey)</td> </tr> <tr> <td>HS Code:</td> <td>7606129900</td> </tr> <tr> <td>Notes</td> <td></td> </tr> <tr> <td></td> <td> <ol style="list-style-type: none"> 1. Available from stock in The Netherlands. 2. Other finishes available upon request. 3. Internal use only. </td> </tr> </table>	Panel:	Aluminium Honeycomb	Type:	1.0mm thick Facing 1.0mm thick Reverse	Overall Thickness:	10mm	Fire Class		Panel:	Non-Combustible – ‘C’ Class	Primer:	Low Flame Spread	Height:	2500mm, 3000mm	Width:	1250mm	Weight:	6.4 kg/m ²	Sound Reduction (Rw):	20 dB	Finish:	Primer Facing (Grey) Primer Reverse (Grey)	HS Code:	7606129900	Notes			<ol style="list-style-type: none"> 1. Available from stock in The Netherlands. 2. Other finishes available upon request. 3. Internal use only.
Panel:	Aluminium Honeycomb																												
Type:	1.0mm thick Facing 1.0mm thick Reverse																												
Overall Thickness:	10mm																												
Fire Class																													
Panel:	Non-Combustible – ‘C’ Class																												
Primer:	Low Flame Spread																												
Height:	2500mm, 3000mm																												
Width:	1250mm																												
Weight:	6.4 kg/m ²																												
Sound Reduction (Rw):	20 dB																												
Finish:	Primer Facing (Grey) Primer Reverse (Grey)																												
HS Code:	7606129900																												
Notes																													
	<ol style="list-style-type: none"> 1. Available from stock in The Netherlands. 2. Other finishes available upon request. 3. Internal use only. 																												

Stock Aluminium Honeycomb Panel System (continued)

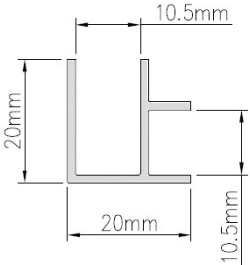
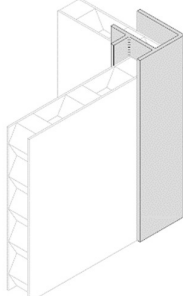
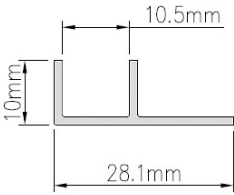
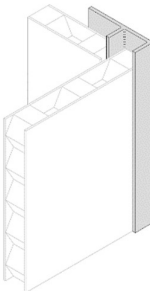
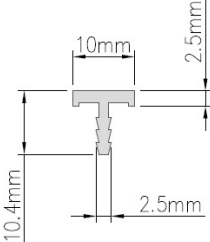
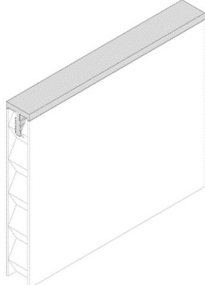
Lining Panel – Primed Finish (0.7mm Facings)	
	<p>Panel: Aluminium Honeycomb Type: 0.7mm thick Facing 0.7mm thick Reverse</p> <p>Overall Thickness: 10mm</p> <p>Fire Class: Panel: Non-Combustible – ‘C’ Class Primer: Low Flame Spread</p> <p>Height: 2500mm Width: 1250mm Weight: 4.8 kg/m² Sound Reduction (Rw): 20 dB</p> <p>Finish: Primer Facing (Light Grey) Primer Reverse (Light Grey)</p> <p>HS Code: 7606129900</p> <p>Notes</p> <ol style="list-style-type: none"> 1. Available from stock in The Netherlands. 2. Other finishes available upon request. 3. Internal use only.

Lining Panel – Primed Finish (0.5mm Facings)	
	<p>Panel: Aluminium Honeycomb Type: 0.5mm thick Facing 0.5mm thick Reverse</p> <p>Overall Thickness: 10mm and 15mm</p> <p>Fire Class: Panel: Non-Combustible – ‘C’ Class Primer: Low Flame Spread</p> <p>Height: 2500mm Width: 1250mm Weight: 3.9 kg/m² Sound Reduction (Rw): 19 dB</p> <p>Finish: Primer Facing (Grey) Primer Reverse (Grey)</p> <p>HS Code: 7606129900</p> <p>Notes</p> <ol style="list-style-type: none"> 1. Available from stock in The Netherlands. 2. Other finishes available upon request. 3. Internal use only.

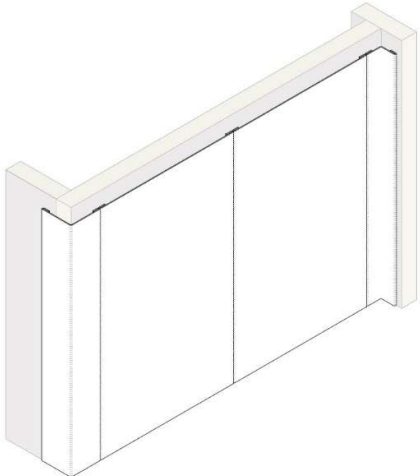
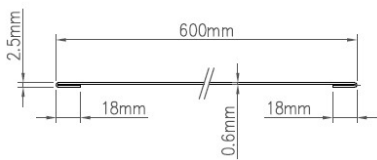
Stock Aluminium Profiles

<p>Aluminium Top Profile</p> 		<p>Length: 2500mm Thickness: 1.25mm Weight: 0.17 Kg/m Finish: Anodized Aluminium HS Code: 7604299090</p>
<p>Aluminium Bottom Profile</p> 		<p>Length: 2500mm Thickness: 1.3mm Weight: 0.09 Kg/m Finish: Anodized Aluminium HS Code: 7604299090</p>
<p>Aluminium 'H' Profile</p> 		<p>Length: 2500mm Thickness: 1.3mm Weight: 0.14 Kg/m Finish: Anodized Aluminium HS Code: 7604299090</p>
<p>Aluminium End Profile</p> 		<p>Length: 2500mm Thickness: 1.3mm Weight: 0.09 Kg/m Finish: Anodized Aluminium HS Code: 7604299090</p>

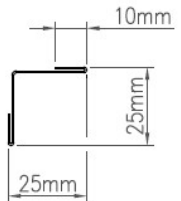
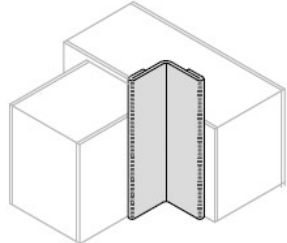
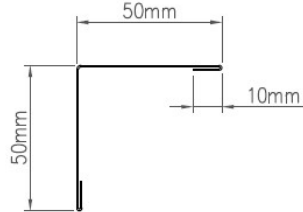
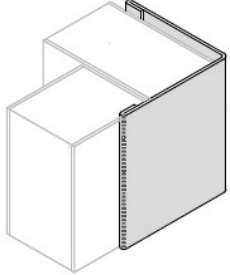
Stock Aluminium Profiles (continued)

<p>Aluminium Corner Profile</p> 		<p>Length: 2500mm Thickness: 1.3mm Weight: 0.23 Kg/m Finish: Anodized Aluminium HS Code: 7604299090</p>
<p>Aluminium 'F' Profile</p> 		<p>Length: 2500mm Thickness: 1.3mm Weight: 0.16 Kg/m Finish: Anodized Aluminium HS Code: 7604299090</p>
<p>Aluminium 'T' Profile</p> 		<p>Length: 2500mm Thickness: 2.5mm Weight: 0.1 Kg/m Finish: Anodized Aluminium HS Code: 7604299090</p>

Stock Cladding Panel System

Cladding Panels	
	<p>Panel: PVC Coated Mild Steel</p> <p>Type: Folded Long Edges</p> <p>Overall Thickness: 0.6mm (Sheet) 2.5mm (Long Edges only)</p> <p>Fire Class: Low Flame Spread</p> <p>Height: 2500mm</p> <p>Width: 600mm</p> <p>Weight: 5.4 kg/m²</p> <p>Sound Reduction (Rw): n/a</p> <p>Finish: Replasa U63 (White) Galvanised Steel Reverse</p> <p>HS Code: 7308905900</p> <p>Notes</p> <ol style="list-style-type: none"> 1. Stock panels are supplied with protective foil on décor side. 2. Available from stock in The Netherlands. 3. Other finishes available upon request.
	

Stock Cladding Profiles

<p>Internal Angle Profile</p> 		<p>Length: 2500mm</p> <p>Thickness: 0.6mm 2.5mm Long Edges</p> <p>Weight: 0.4 Kg/m</p> <p>Finish: Replasa U63 (White)</p> <p>HS Code: 7308905100</p>
<p>External Angel Profile</p> 		<p>Length: 2500mm</p> <p>Thickness: 0.6mm 2.5mm Long Edges</p> <p>Weight: 0.63 Kg/m</p> <p>Finish: Replasa U63 (White)</p> <p>HS Code: 7308905100</p>

Stock Floating Floor Panels

A60 Floating Floor Panels



Panel: ENSAR Floating Floor Panels
 Type: 2mm thick Galvanised Steel Sheet bonded to 60mm thick Mineral Wool slabs

Fire Class: A60
 Overall Thickness: 62mm
 Length: 1000mm
 Width: 300mm
 Mineral Wool Density: 200 kg/m³
 Weight: 29.4 kg/m²
 Sound Reduction (Rw): 35dB Panels only
 45dB Panels and Steel Deck

Finish Options: Galvanised Steel

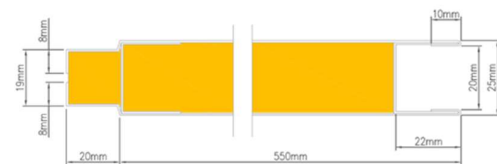
HS Code: 68080000

Notes

1. Available from stock in The Netherlands.
2. Interlocking joints.

Stock Ceiling Panels

Ceiling Panels – JCP-C2, Tongue & Groove



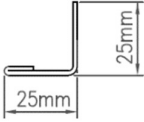
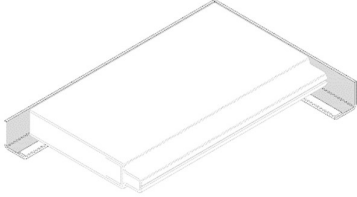
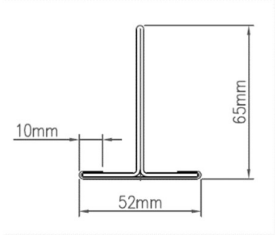
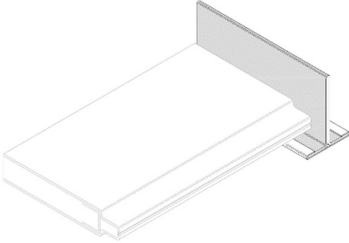
Panel:	JCP-C2 Self Supporting Ceiling
Fire Class:	B15
Thickness:	25mm
Length:	1000mm 2200mm 2400mm
Width:	550mm
Weight:	15.7kg/m ²
Sound Reduction (Rw):	30dB
Finish:	Gislaved 027-1058 (White)
HS Code:	7308905100

Ceiling Panels – JCP-C9, Hook Joint



Panel:	JCP-C9 Hook Joint Ceiling
Fire Class:	B0
Thickness:	25mm
Length:	2200mm 2400mm
Width:	300mm
Weight:	8.7kg/m ²
Sound Reduction (Rw):	30dB
Finish:	Gislaved 027-1058 (White)
HS Code:	7308905100

Stock Ceiling Panel Profiles

<p>FC02 Perimeter Profile</p> 		<p>Length: 3000mm Thickness: 1mm Weight: 0.57 Kg/m Finish: PVC Foil Stock Finish: Gislaved 027-1058 (White) HS Code: 7308905100</p>
<p>FC03 Hanger Profile</p> 		<p>Length: 3000mm Thickness: 1.2mm + 0.6mm Weight: 2.05 Kg/m Finish: PVC Foil Stock Finish: Gislaved 027-1058 (White) HS Code: 7308905100</p>

Stock Doors

<p>B15 Cabin Door</p> 	<p>Door: CGFM-3a Type: Single Leaf Fire Class: B15 Clear Opening Height: 1950mm Clear Opening Width: 600mm Sill: 20mm Handing: Right Hand and Left Hand Door Leaf Thickness: 40mm Weight: 60kg Sound Reduction (Rw): 32dB Finish Door Leaf: Gislaved 027-1058 (White) Frame: RAL 9010 Hardware: C-1 Lock (Key & Thumbturn) HS Code: 7308300000 <u>Note:</u> Door Handing Shown: Right Hand (Europe) Left Inside (Asia)</p>
---	---


<p>B15 Cabin WC Door</p> 	<p>Door: CGFM-3b Type: Single Leaf Fire Class: B15 Clear Opening Height: 1800mm Clear Opening Width: 600mm Sill: 120mm Handing: Right Hand and Left Hand Door Leaf Thickness: 40mm Weight: 60kg Sound Reduction (Rw): 32dB Finish Door Leaf: Gislaved 027-1058 (White) Frame: RAL 9010 Hardware: C-4 Lock (Thumbturn & Indicator) HS Code: 7308300000 <u>Note:</u> Door Handing Shown: Left Hand (Europe) Left Outside (Asia)</p>
---	--


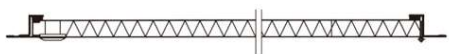
Stock Doors (continued)

<p>B15 Public WC Door</p> 	<p>Door: CGFM-3c Type: Single Leaf Fire Class: B15 Clear Opening Height: 1800mm Clear Opening Width: 600mm Sill: 0mm Handing: Right Hand and Left Hand Door Leaf Thickness: 40mm Weight: 55kg Sound Reduction (Rw): 32dB Finish Door Leaf: Gislaved 027-1058 (White) Frame: RAL 9010 Hardware: C-4 Lock (Thumbturn & Indicator) HS Code: 7308300000 <u>Note:</u> Door Handing Shown: Right Hand (Europe) Left Inside (Asia)</p>
---	--

<p>B15 Door</p> 	<p>Door: B-17-002 Type: Single Leaf Fire Class: B15 Clear Opening Height: 1950mm Clear Opening Width: 650mm Sill: 20mm Handing: Right Hand and Left Hand Door Leaf Thickness: 42mm Weight: 55kg Sound Reduction (Rw): 35dB Finish Door Leaf: Gislaved 027-1058 (White) Frame: RAL 9010 Hardware: Remor 164-018 (Key & Thumbturn) HS Code: 7308300000 <u>Note:</u> Door Handing Shown: Right Hand (Europe) Right Outside (Asia)</p>
--	---



Stock Doors (continued)

<p>A60 Internal Door</p> 	<p>Door: ENSAR A60 Door</p> <p>Type: Single Leaf Internal Door</p> <p>Fire Class: A60</p> <p>Clear Opening Height: 1900mm</p> <p>Clear Opening Width: 700mm</p> <p>Sill: Weld In Frame</p> <p>Door Leaf Thickness: 77mm</p> <p>Weight: 91kg</p> <p>Sound Reduction (Rw): -</p> <p>Finish</p> <p>Door Leaf: RAL 7040 (Grey)</p> <p>Frame: RAL 7040 (Grey)</p> <p>Hardware: ENSAR Standard (Key & Thumbturn)</p> <p>HS Code: 7308300000</p> <p><u>Note:</u></p> <p>Door Handing Shown: Right Hand (Europe)</p>
---	---

<p>B15 Ceiling Access Hatch</p>  	<p>Door: HL-TJXM-A</p> <p>Type: Single Leaf</p> <p>Fire Class: B15</p> <p>Clear Opening Height: 400mm</p> <p>Clear Opening Width: 400mm</p> <p>Sill: n/a</p> <p>Handing: n/a</p> <p>Sound Reduction (Rw): 40mm</p> <p>Weight: 10kg</p> <p>Sound Reduction: n/a</p> <p>Finish</p> <p>Door Leaf: Gislaved 027-1058 (White)</p> <p>Frame: RAL 9010</p> <p>Hardware: Triangle Lock</p> <p>HS Code: 7308300000</p> <p><u>Note:</u></p> <p>For installation into B15 rated ceiling panels.</p>
---	---


Bespoke Product Range

Bespoke Wall Panel Range

<p>Type 'A' Tongue & Groove Joint</p> 	<p>Panel: B-13-060 Partition B-13-060 Lining</p> <p>Type: Type A T&G Joint</p> <p>Fire Class: B15</p> <p>Thickness: 50mm Partition 25mm Lining</p> <p>Height: Partition 2600mm (max) Lining 2600mm (max)</p> <p>Width: 600mm</p> <p>Weight: 18.2kg/m² Partition 14.2kg/m² Lining</p> <p>Sound Reduction (Rw): 32dB Partition 31dB Lining</p> <p>Finish Options: PVC RAL Paint Galvanised Steel Stainless Steel</p> <p>Notes 1. Also known as a 'single seam joint' system.</p>
<p>Type 'C' Clip Joint</p> 	<p>Panel: B-13-049 Partition B-13-048 Lining</p> <p>Type: Type C Clip Joint</p> <p>Fire Class: B15</p> <p>Thickness: 50mm Partition 25mm Lining</p> <p>Height: Partition 2500mm (max) Lining 2500mm (max)</p> <p>Width: 580mm</p> <p>Weight: 18.5kg/m² Partition 14.8kg/m² Lining</p> <p>Sound Reduction (Rw): 32dB Partition 31dB Lining</p> <p>Finish Options: PVC RAL Paint Galvanised Steel Stainless Steel</p>

Bespoke Wall Panel Range (continued)

Type 'A' Wet Room Panels	
	<p>Panel: B-13-064 Partition B-13-063 Lining</p> <p>Type: Type A Wet Room Panels</p> <p>Fire Class: B15</p> <p>Thickness: 50mm Partition 25mm Lining</p> <p>Height: Partition 2600mm (max) Lining 2600mm (max)</p> <p>Width: 600mm</p> <p>Weight: 18.4kg/m² Partition 14.6kg/m² Lining</p> <p>Sound Reduction (Rw): n/a</p> <p>Finish Options: PVC RAL Paint Galvanised Steel Stainless Steel</p>

Type 'A' Wet Room Partition	
	<p>Panel: B-13-065 Partition</p> <p>Type: Type A Wet Room Partition</p> <p>Fire Class: B15</p> <p>Thickness: 50mm</p> <p>Height: 2600mm (max)</p> <p>Width: 600mm</p> <p>Weight: 18.7kg/m²</p> <p>Sound Reduction (Rw): n/a</p> <p>Finish Options: PVC RAL Paint Galvanised Steel Stainless Steel</p> <p>Notes 1. Suitable for a Wet Room Partition.</p>

Bespoke Wall Panel Range (continued)

Type 'C' Wet Room Panels		
	Panel:	B-13-053 Partition B-13-052 Lining
	Type:	Type C Wet Room Panels
	Fire Class:	B15
	Thickness:	50mm Partition 25mm Lining
	Height:	Partition 2500mm (max) Lining 2500mm (max)
	Width:	580mm
	Weight:	18.9kg/m ² Partition 15.2kg/m ² Lining
	Sound Reduction (Rw):	n/a
	Finish Options:	PVC RAL Paint Galvanised Steel Stainless Steel

Type 'C' Wet Room Partition		
	Panel:	B-13-054 Partition
	Type:	Type C Wet Room Partition
	Fire Class:	B15
	Thickness:	50mm
	Height:	2500mm (max)
	Width:	580mm
	Weight:	18.8kg/m ²
	Sound Reduction (Rw):	n/a
	Finish Options:	PVC RAL Paint Galvanised Steel Stainless Steel
	Notes	1. Suitable for a Wet Room Partition.

Bespoke Wall Panel Range (continued)

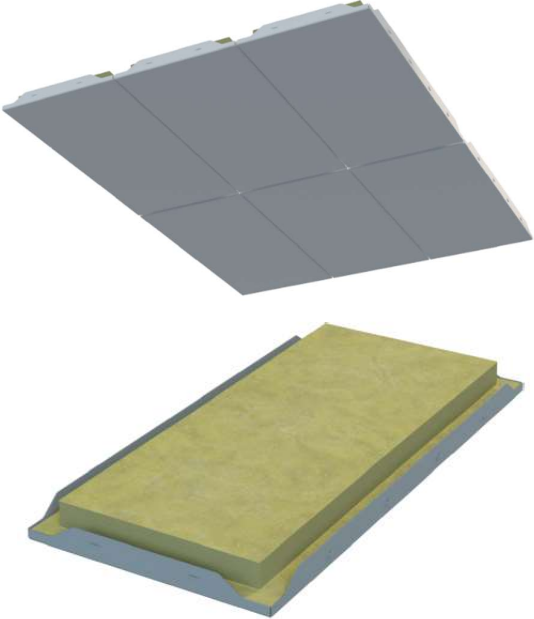
<p>Type 'A' Acoustic Panel</p> 	<p>Panel: B-13-070 Partition Type: Type A Acoustic Panel Fire Class: B15 Thickness: 50mm Partition Height: 2600mm (max) Width: 600mm Weight: 17.7kg/m² Sound Reduction (Rw): 40dB Finish Options: PVC RAL Paint Galvanised Steel Stainless Steel</p>
--	---

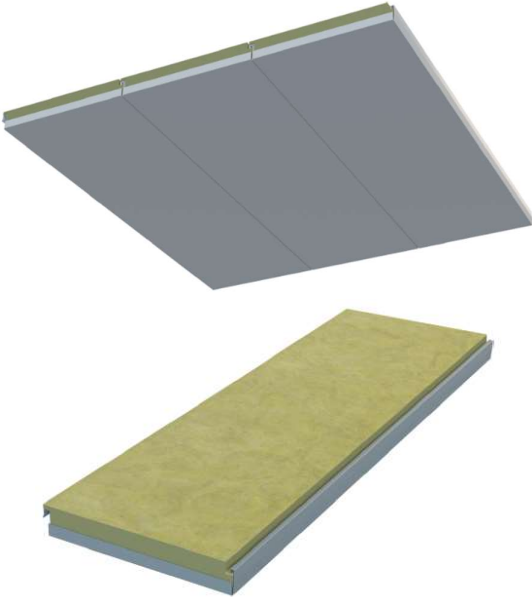
<p>Type 'C' Acoustic Panel</p> 	<p>Panel: B-13-051 Partition Type: Type C Acoustic Panel Fire Class: B15 Thickness: 50mm Height: 2500mm (max) Width: 580mm Weight: 18.5kg/m² Sound Reduction (Rw): 45dB Finish Options: PVC RAL Paint Galvanised Steel Stainless Steel</p>
--	---

Bespoke Wall Panel Range (continued)

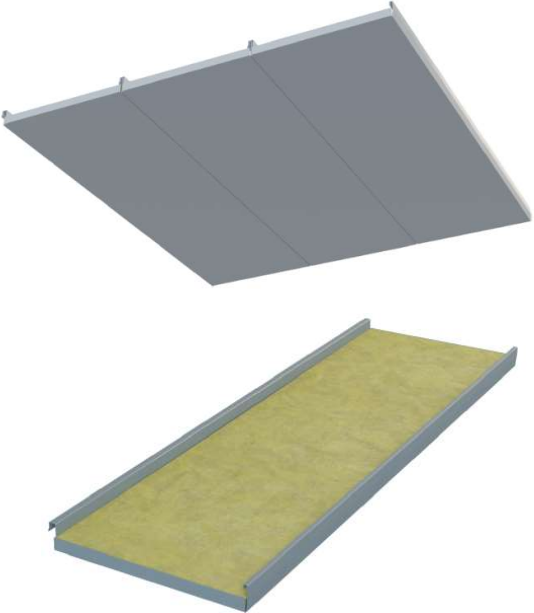
<p>High Acoustic Partition Panel</p> 	<table> <tr> <td>Panel:</td> <td>B-13-046 Partition</td> </tr> <tr> <td>Type:</td> <td>High Acoustic Panel</td> </tr> <tr> <td>Fire Class:</td> <td>B15</td> </tr> <tr> <td>Thickness:</td> <td>50mm Partition</td> </tr> <tr> <td>Height:</td> <td>2450mm (max)</td> </tr> <tr> <td>Width:</td> <td>560mm</td> </tr> <tr> <td>Weight:</td> <td>28.9kg/m²</td> </tr> <tr> <td>Sound Reduction (Rw):</td> <td>49dB</td> </tr> <tr> <td>Finish Options:</td> <td>PVC RAL Paint Galvanised Steel Stainless Steel</td> </tr> </table>	Panel:	B-13-046 Partition	Type:	High Acoustic Panel	Fire Class:	B15	Thickness:	50mm Partition	Height:	2450mm (max)	Width:	560mm	Weight:	28.9kg/m ²	Sound Reduction (Rw):	49dB	Finish Options:	PVC RAL Paint Galvanised Steel Stainless Steel
Panel:	B-13-046 Partition																		
Type:	High Acoustic Panel																		
Fire Class:	B15																		
Thickness:	50mm Partition																		
Height:	2450mm (max)																		
Width:	560mm																		
Weight:	28.9kg/m ²																		
Sound Reduction (Rw):	49dB																		
Finish Options:	PVC RAL Paint Galvanised Steel Stainless Steel																		

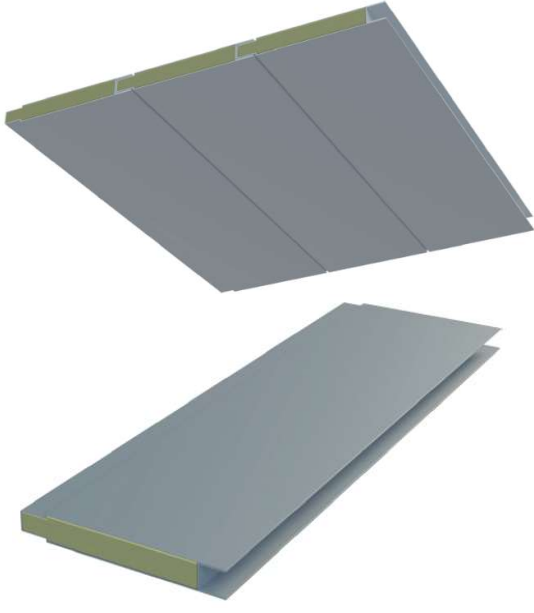
Bespoke Ceiling Panel Range

Ceiling Panels – Tile Ceilings																	
	<table> <tr> <td>Panel:</td> <td>B-11-614 Tile Ceiling</td> </tr> <tr> <td>Fire Class:</td> <td>B15</td> </tr> <tr> <td>Thickness:</td> <td>40mm</td> </tr> <tr> <td>Length:</td> <td>900mm (max)</td> </tr> <tr> <td>Width:</td> <td>750mm</td> </tr> <tr> <td>Weight:</td> <td>6.0kg/m²</td> </tr> <tr> <td>Sound Reduction (Rw):</td> <td>n/a</td> </tr> <tr> <td>Finish Options:</td> <td>PVC RAL Paint Stainless Steel</td> </tr> </table>	Panel:	B-11-614 Tile Ceiling	Fire Class:	B15	Thickness:	40mm	Length:	900mm (max)	Width:	750mm	Weight:	6.0kg/m ²	Sound Reduction (Rw):	n/a	Finish Options:	PVC RAL Paint Stainless Steel
Panel:	B-11-614 Tile Ceiling																
Fire Class:	B15																
Thickness:	40mm																
Length:	900mm (max)																
Width:	750mm																
Weight:	6.0kg/m ²																
Sound Reduction (Rw):	n/a																
Finish Options:	PVC RAL Paint Stainless Steel																

Ceiling Panels – Self-Supporting Ceiling																	
	<table> <tr> <td>Panel:</td> <td>B-13-501 Self-Supporting Ceiling</td> </tr> <tr> <td>Fire Class:</td> <td>B15</td> </tr> <tr> <td>Thickness:</td> <td>50mm</td> </tr> <tr> <td>Length:</td> <td>2700mm (max)</td> </tr> <tr> <td>Width:</td> <td>300mm</td> </tr> <tr> <td>Weight:</td> <td>11.7kg/m²</td> </tr> <tr> <td>Sound Reduction (Rw):</td> <td>n/a</td> </tr> <tr> <td>Finish Options:</td> <td>PVC RAL Paint Stainless Steel</td> </tr> </table>	Panel:	B-13-501 Self-Supporting Ceiling	Fire Class:	B15	Thickness:	50mm	Length:	2700mm (max)	Width:	300mm	Weight:	11.7kg/m ²	Sound Reduction (Rw):	n/a	Finish Options:	PVC RAL Paint Stainless Steel
Panel:	B-13-501 Self-Supporting Ceiling																
Fire Class:	B15																
Thickness:	50mm																
Length:	2700mm (max)																
Width:	300mm																
Weight:	11.7kg/m ²																
Sound Reduction (Rw):	n/a																
Finish Options:	PVC RAL Paint Stainless Steel																

Bespoke Ceiling Panel Range (continued)

<p>Ceiling Panels – Self-Supporting Ceiling</p> 	<p>Panel: B-13-503 Self-Supporting Ceiling</p> <p>Fire Class: B0</p> <p>Thickness: 39mm</p> <p>Length: 3000mm (max)</p> <p>Width: 300mm</p> <p>Weight: 9.3kg/m²</p> <p>Sound Reduction (Rw): n/a</p> <p>Finish Options: PVC RAL Paint Stainless Steel</p>
---	---

<p>Ceiling Panels – Self-Supporting Ceiling</p> 	<p>Panel: B-13-401 Self-Supporting Ceiling</p> <p>Fire Class: B15</p> <p>Thickness: 50mm</p> <p>Length: 3000mm (max)</p> <p>Width: 600mm</p> <p>Weight: 18.2kg/m²</p> <p>Sound Reduction (Rw): n/a</p> <p>Finish Options: PVC RAL Paint Stainless Steel</p>
---	---

Bespoke Door Range

<p>A60 Door</p> 	<p>Door: B-18-004 Type: Single Leaf Internal Door Fire Class: A60 Clear Opening Height: 2150mm (max) Clear Opening Width: 1000mm (max) Door Leaf Thickness: 65mm Weight: 105kg (c.o. 2000 x 700mm) Sound Reduction (Rw): n/a Finish Options: PVC RAL Paint Galvanised Steel Stainless Steel High Pressure Laminate</p> <p>Notes</p> <ol style="list-style-type: none"> 1. Available with Vision Panel 400 x 600mm (max). 2. Available with Hose Port 150 x 150mm (max).
---	--


<p>A0 – A30 Door</p> 	<p>Door: B-18-003 Type: Single Leaf Internal Door Fire Class: A0 – A30 Clear Opening Height: 2150mm (max) Clear Opening Width: 1000mm (max) Door Leaf Thickness: 65mm Weight: 82kg (c.o. 2000 x 700mm) Sound Reduction (Rw): - Finish Options: PVC RAL Paint Galvanised Steel Stainless Steel High Pressure Laminate</p> <p>Notes</p> <ol style="list-style-type: none"> 1. Available with Vision Panel 400 x 600mm (max). 2. Available with Hose Port 150 x 150mm (max).
--	--

Bespoke Door Range (continued)

<p>A15 Door</p> 	<p>Door: B-18-005 Type: Single Leaf Internal Door Fire Class: A15 Clear Opening Height: 2150mm (max) Clear Opening Width: 1000mm (max) Door Leaf Thickness: 42mm Weight: 38kg (c.o. 2000 x 700mm) Sound Reduction (Rw): n/a Finish Options: PVC RAL Paint Galvanised Steel Stainless Steel High Pressure Laminate</p>
---	--

<p>B15 Double Door</p> 	<p>Door: B-19-003 Type: Double Leaf Internal Door Fire Class: B15 Clear Opening Height: 2150mm (max) Clear Opening Width: 2000mm (max) Door Leaf Thickness: 42mm Weight: 100kg (c.o. 2000 x 700mm) Sound Reduction (Rw): n/a Finish Options: PVC RAL Paint Galvanised Steel Stainless Steel High Pressure Laminate</p> <p>Notes</p> <ol style="list-style-type: none"> 1. Available with Vision Panel 400 x 600mm (max). 2. Available with Kick Out Panel. 3. Available with Vent.
--	--

Bespoke Door Range (continued)

<p>B15 Acoustic Door</p> 	<p>Door: B-19-002 Type: Single Leaf Internal Door Fire Class: B15 Clear Opening Height: 2100mm (max) Clear Opening Width: 1000mm (max) Door Leaf Thickness: 42mm Weight: 50kg (c.o. 2000 x 700mm) Sound Reduction (Rw): 39dB Finish Options: PVC RAL Paint Galvanised Steel Stainless Steel High Pressure Laminate</p>
---	---

<p>B15 Door</p> 	<p>Door: B-19-001 Type: Single Leaf Internal Door Fire Class: B15 Clear Opening Height: 2100mm (max) Clear Opening Width: 1000mm (max) Door Leaf Thickness: 42mm Weight: 50kg (c.o. 2000 x 700mm) Sound Reduction (Rw): n/a Finish Options: PVC RAL Paint Galvanised Steel Stainless Steel High Pressure Laminate</p> <p>Notes</p> <ol style="list-style-type: none"> 1. Available with Vision Panel 400 x 600mm (max). 2. Available with Kick Out Panel. 3. Available with Vent.
--	---

Bespoke Door Range (continued)

<p>B15 Door</p> 	<p>Door: B-17-002 Type: Single Leaf Internal Door Fire Class: B15 Clear Opening Height: 2100mm (max) Clear Opening Width: 1000mm (max) Door Leaf Thickness: 42mm Weight: 50kg (c.o. 2000 x 700mm) Sound Reduction (Rw): 35dB Finish Options: PVC RAL Paint Galvanised Steel Stainless Steel High Pressure Laminate</p> <p>Notes 1. Available with Vision Panel 400 x 600mm (max). 2. Available with Kick Out Panel. 3. Available with Vent.</p>
---	---

<p>B15 Single Leaf Access Hatch</p> 	<p>Door: B-16-004 Type: Single Leaf Fire Class: B15 Clear Opening Length: 1850mm (max) Clear Opening Width: 700mm (max) Door Leaf Thickness: 50mm Weight: 31.0 kg/m² Sound Reduction (Rw): - Finish Options: PVC RAL Paint Galvanised Steel Stainless Steel</p>
--	--

Bespoke Door Range (continued)

<p>B15 Single Leaf Ceiling Hatch</p> 	<p>Door: B-16-319 Type: Single Leaf Fire Class: B15 Clear Opening Length: 400mm (max) Clear Opening Width: 400mm (max) Door Leaf Thickness: 24mm Weight: - Sound Reduction (Rw): - Finish Options: PVC RAL Paint Galvanised Steel Stainless Steel</p>
---	---

<p>B0 Single Leaf Ceiling Hatch</p> 	<p>Door: B-16-318 Type: Single Leaf Fire Class: B0 Clear Opening Length: 600mm (max) Clear Opening Width: 600mm (max) Door Leaf Thickness: 24mm Weight: - Sound Reduction (Rw): - Finish Options: PVC RAL Paint Galvanised Steel Stainless Steel</p>
--	--

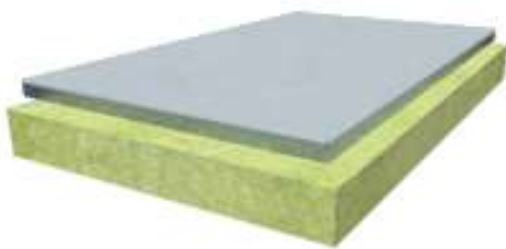
Optional Door Equipment

Door Closer		
Kick-out Panel		<p>Max Dimensions Height: 540mm Width: 440mm</p>
Vent Grill		
Hose Port		<p>Max Dimensions Height: 150mm Width: 150mm</p>
Door Holdback		
Vision Panel		<p>Max Dimensions Height: 400mm Width: 400mm Diameter: 250mm</p>

Bespoke Floating Floor Panels



A60 Floating Floor Panels



Panel:	ENSAR Floating Floor Panels
Type:	2mm thick Galvanised Steel Sheet bonded to 60mm thick Mineral Wool slabs
Fire Class:	A60
Overall Thickness:	62mm
Length:	1000mm
Width:	300mm
Mineral Wool Density:	200 kg/m ³
Weight:	29.4 kg/m ²
Sound Reduction (Rw):	35dB Panels only 45dB Panels and Steel Deck
Finish Options:	Galvanised Steel
HS Code:	7308905100

Notes

1. Available from stock in The Netherlands.
2. Interlocking joints.

Bespoke Prefabricated Wet Units

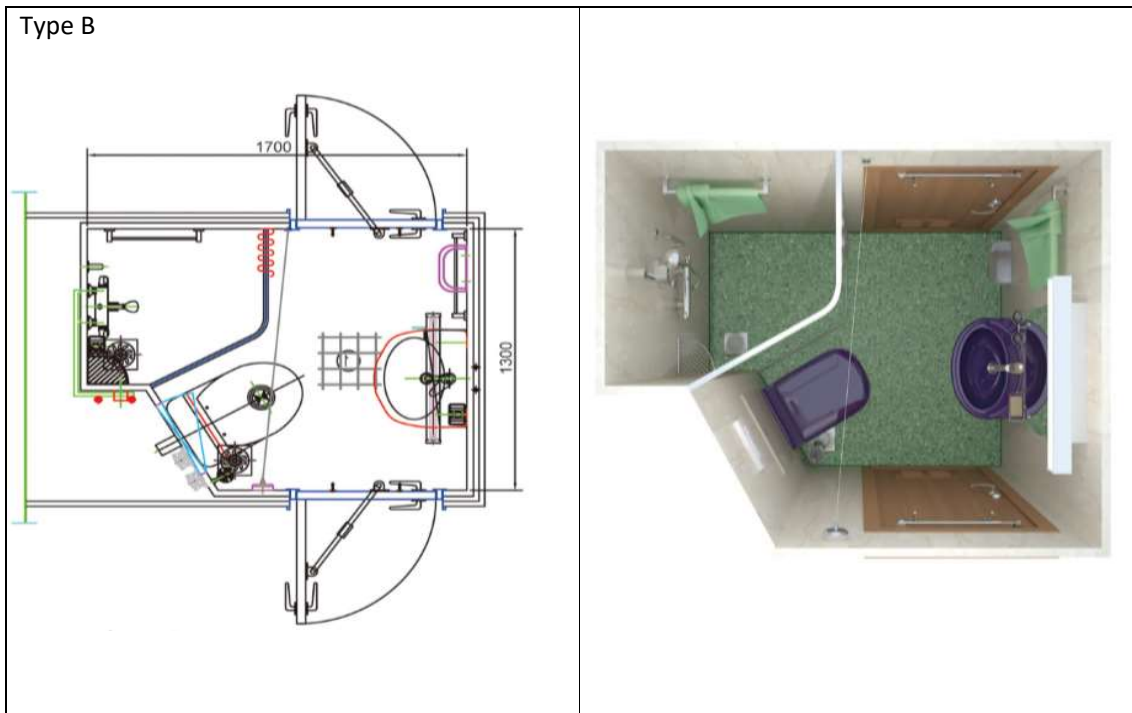
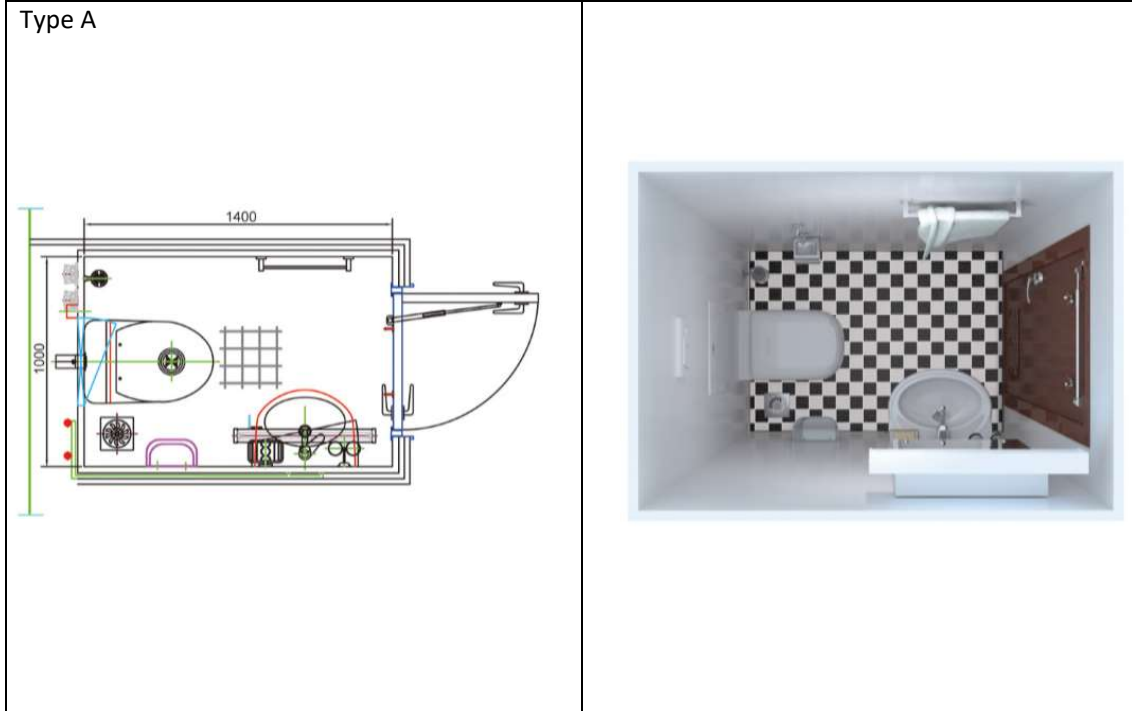


Prefabricated Wet Units are custom designed to suit individual requirements and are certified with a B15 fire rating. In general, there are three main categories of wet unit, namely Common Type, Lightweight Type and Floor Heater Type.

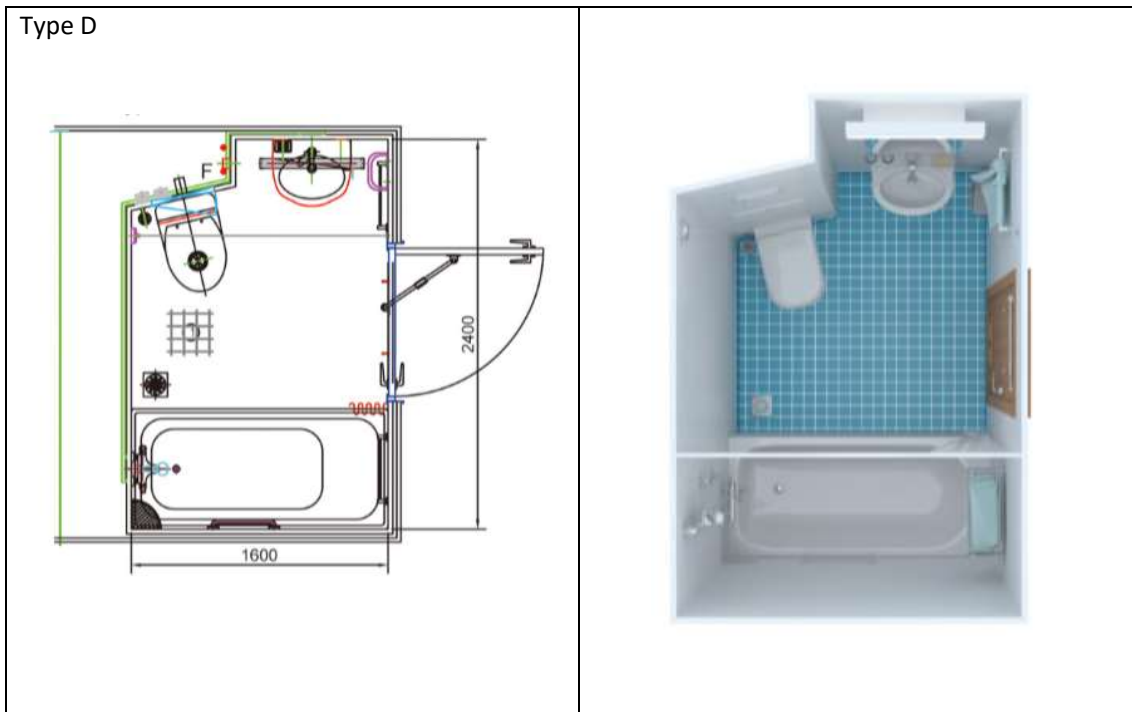
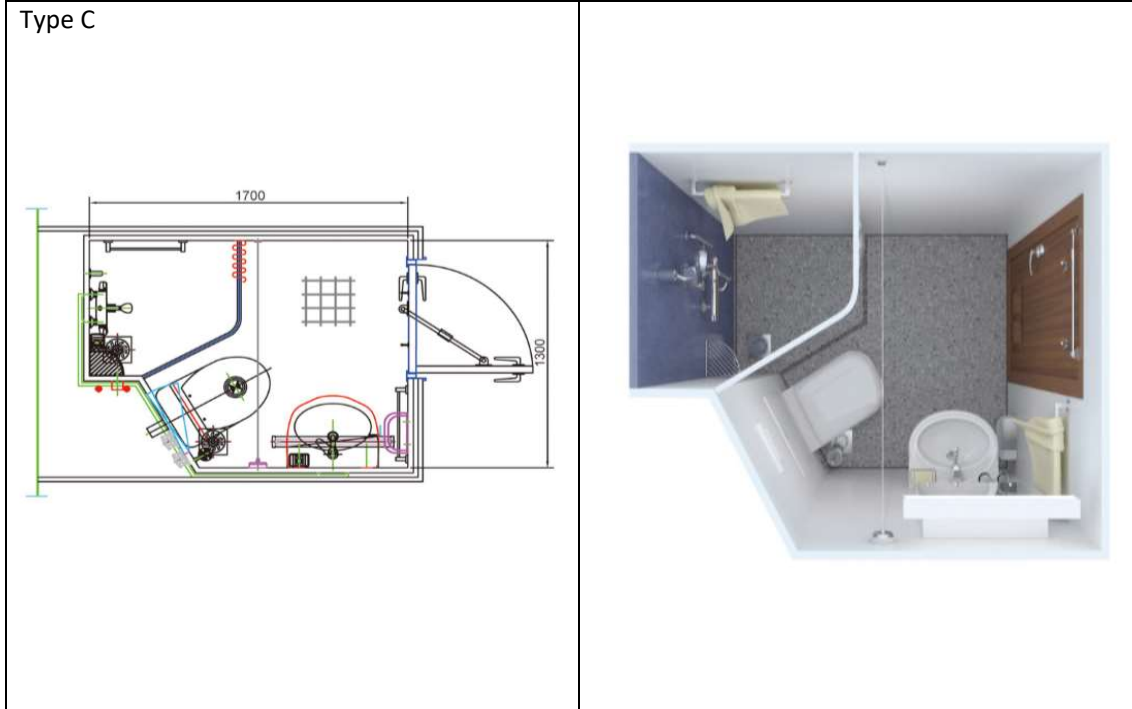
Each Wet Unit is manufactured with customer specified fixtures and are designed for simple on-site installation.



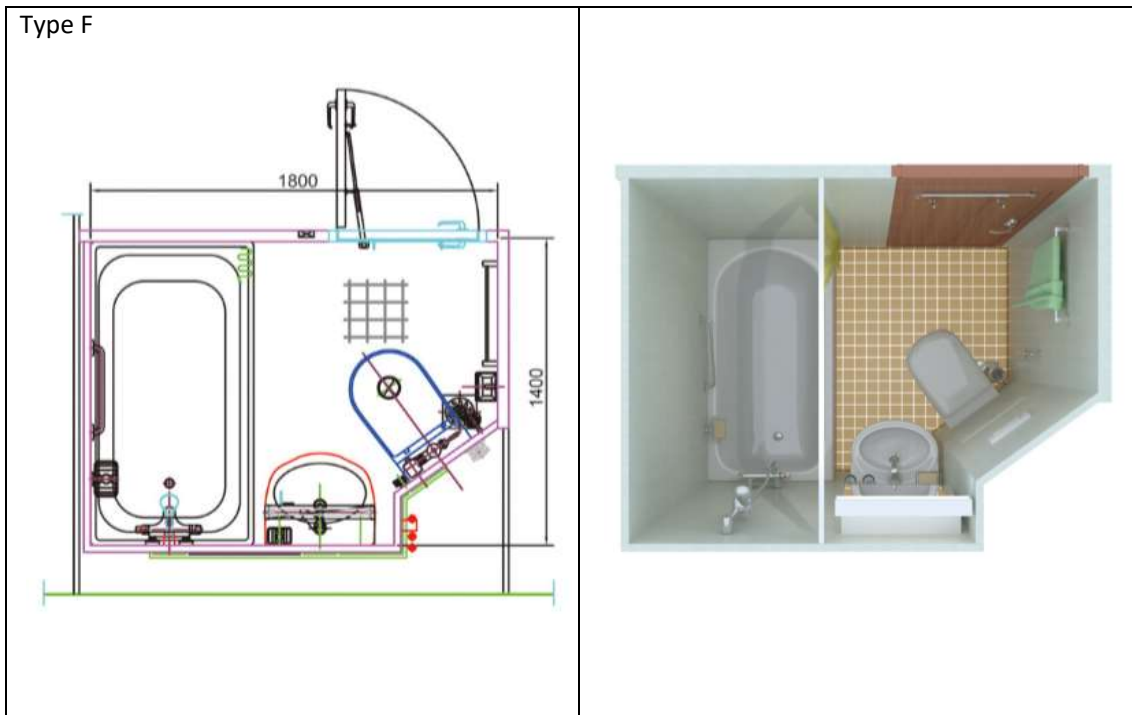
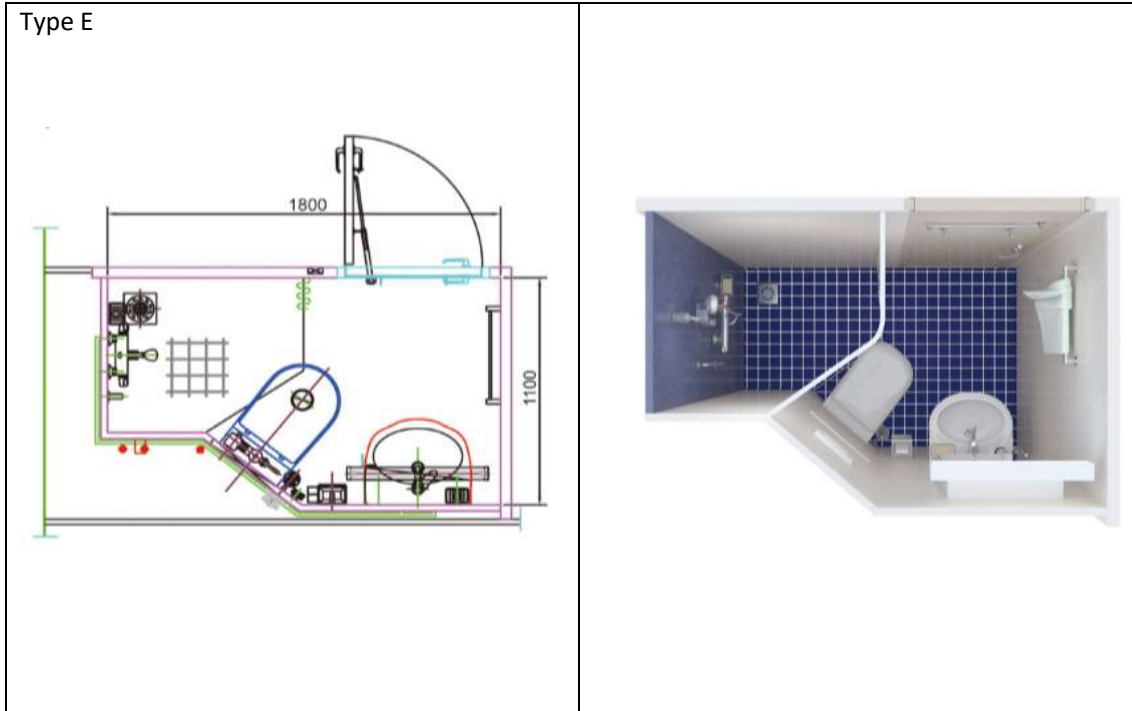
Standard Wet Unit Layouts



Standard Wet Unit Layouts (continued)



Standard Wet Unit Layouts (continued)





Registered Office:

4SEA Materials B.V.
Patrijzenlaar 4,
4854EC Bavel,
Netherlands

Tel: +31 (0) 6 42458311

E-mail: 4SEABV@gmail.com

Company Registration No. 73391360

VAT No. NL859507130B01