



(12) **United States Design Patent**
Beardell, III

(10) **Patent No.:** **US D937,085 S**
(45) **Date of Patent:** **** Nov. 30, 2021**

(54) **BOTTLE CAP**

- (71) Applicant: **Ideation Design Hub LLC**,
Philadelphia, PA (US)
- (72) Inventor: **Louis William Beardell, III**,
Philadelphia, PA (US)
- (73) Assignee: **Ideation Design Hub LLC**,
Philadelphia, PA (US)
- (**) Term: **15 Years**
- (21) Appl. No.: **29/746,421**
- (22) Filed: **Aug. 13, 2020**

Related U.S. Application Data

- (63) Continuation of application No. 29/724,078, filed on
Feb. 12, 2020, now Pat. No. Des. 896,075.
- (51) **LOC (13) CL.** **09-07**
- (52) **U.S. CL.**
USPC **D9/449**; D9/435; D9/454
- (58) **Field of Classification Search**
USPC D9/434-436, 499, 454, 452, 453, 449;
D7/392.1, 396.2
CPC B65D 47/04; B65D 47/10; B65D 47/12;
B65D 47/121
See application file for complete search history.

(56) **References Cited**

U.S. PATENT DOCUMENTS

- D286,027 S 10/1986 Waher et al.
 - D390,462 S * 2/1998 Mao D9/435
 - D398,851 S 9/1998 Gaiser et al.
- (Continued)

FOREIGN PATENT DOCUMENTS

- CN 302702063 1/2014
 - CN 302702067 1/2014
- (Continued)

OTHER PUBLICATIONS

Trend Hunter. 18 Inventive Bottle Cap Designs. Apr. 29, 2014.
<https://www.trendhunter.com/slideshow/bottle-cap-designs> (Year:
2014).*

(Continued)

Primary Examiner — Darcey E Gottschalk
(74) *Attorney, Agent, or Firm* — Morgan, Lewis &
Bockius LLP

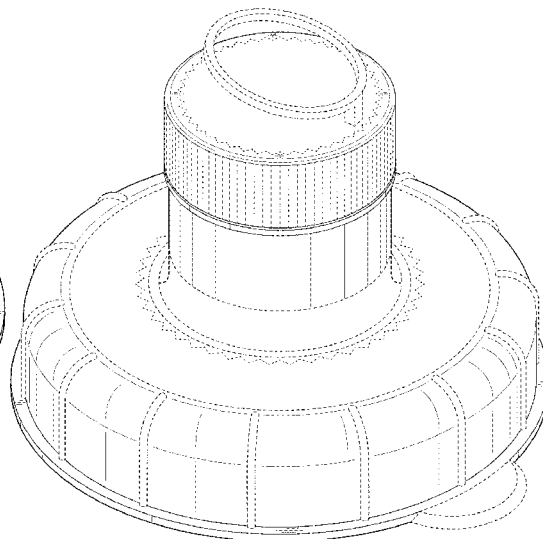
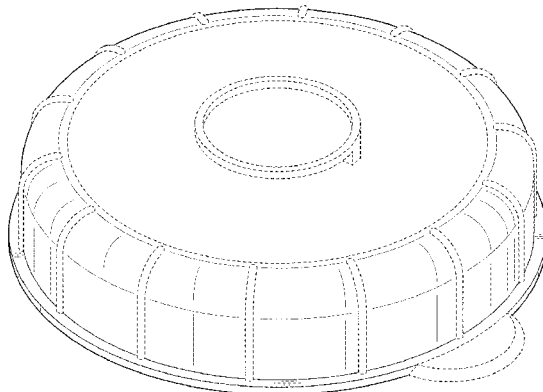
(57) **CLAIM**

The ornamental design for a bottle cap, as shown and
described.

DESCRIPTION

FIG. 1 is a front perspective view of a bottle cap in a first position showing our new design;
FIG. 2 is a front elevational view thereof;
FIG. 3 is a rear elevational view thereof;
FIG. 4 is a left-side elevational view thereof;
FIG. 5 is a right-side elevational view thereof;
FIG. 6 is a top plan view thereof;
FIG. 7 is a bottom plan view thereof;
FIG. 8 is an enlarged front perspective view of the bottle cap shown in FIG. 1 with the container removed;
FIG. 9 is a front perspective view of the bottle cap of FIG. 1 shown in a second position;
FIG. 10 is a front elevational view thereof;
FIG. 11 is a rear elevational view thereof;
FIG. 12 is a left-side elevational view thereof;
FIG. 13 is a right-side elevational view thereof;
FIG. 14 is a top plan view thereof;
FIG. 15 is a bottom plan view thereof; and,
FIG. 16 is an enlarged front perspective view of the bottle cap shown in FIG. 9 with the container removed.
The broken lines illustrate structure or features that form no part of the claimed design.

1 Claim, 10 Drawing Sheets



(56)

References Cited

U.S. PATENT DOCUMENTS

6,102,227 A 8/2000 Cochrane
 D436,862 S * 1/2001 Witt D9/438
 D480,599 S * 10/2003 Linz D7/392
 D482,283 S * 11/2003 Wichmann D9/454
 D495,599 S 9/2004 Biesecker
 D503,886 S 4/2005 Biesecker
 D530,611 S * 10/2006 Nusbaum D9/449
 D535,189 S * 1/2007 Pitman D9/452
 D551,081 S 9/2007 Ohara et al.
 D587,115 S * 2/2009 Capretta D9/434
 D595,570 S * 7/2009 Moretti D9/434
 D612,738 S 3/2010 Bansal
 D613,160 S * 4/2010 Ablo D9/443
 D619,001 S 7/2010 McKinney
 D630,946 S 1/2011 Crawford
 D657,665 S 4/2012 Rivera et al.
 D668,102 S * 10/2012 Peters D7/392.1
 D674,146 S 1/2013 Bae
 D684,863 S 6/2013 Snyder
 D686,081 S 7/2013 Colangelo
 D689,774 S 9/2013 Ford
 8,556,103 B2 10/2013 Tiesberger
 D723,373 S 3/2015 Wahl
 D733,967 S 7/2015 Schlatter
 D748,485 S 2/2016 Marret
 D754,537 S 4/2016 Prozumenshchikov
 D754,999 S 5/2016 Gamelli
 D761,607 S 7/2016 Gamelli et al.
 D761,608 S 7/2016 Gamelli et al.
 D761,609 S 7/2016 Gamelli et al.
 D768,492 S 10/2016 Kim
 D769,043 S 10/2016 Gamelli et al.
 D778,725 S * 2/2017 Sorensen D9/447
 D784,155 S 4/2017 De Baschmakoff
 D784,820 S 4/2017 Kuzma et al.
 D788,587 S 6/2017 Clemence et al.
 D791,542 S 7/2017 Miksovsky et al.

D792,223 S 7/2017 Kim
 9,714,121 B2 7/2017 Gamelli
 D797,498 S * 9/2017 Sorensen D7/396.2
 D814,298 S 4/2018 Ramon
 D836,977 S 1/2019 Sorensen et al.
 D845,126 S 4/2019 Prozumenshchikov
 D858,284 S 9/2019 Murac et al.
 D881,007 S 4/2020 Christianson et al.
 D895,737 S * 9/2020 Russell D21/573
 D896,075 S * 9/2020 Beardell, III D9/435
 D896,077 S * 9/2020 Matusek D9/440
 D901,296 S * 11/2020 Moore D9/435
 2012/0261380 A1 * 10/2012 Frishman B65D 17/4012
 215/255
 2015/0027976 A1 * 1/2015 de St. Jeor B65D 41/3423
 215/316
 2015/0050405 A1 2/2015 Trager et al.
 2016/0347514 A1 * 12/2016 Kim B65D 55/16

FOREIGN PATENT DOCUMENTS

CN 304296736 9/2014
 CN 303717614 6/2016
 CN 303726529 6/2016
 CN 304217930 7/2017
 CN 304454178 1/2018
 JP D1338348 8/2007

OTHER PUBLICATIONS

Amazon. The Dairy Shoppe Heavy Glass Milk Bottles 2 Quart (64 Oz) Jugs with Extra Lids & Free Pour Spout! (2, 64 oz). Apr. 29, 2016, <https://www.amazon.com/Dairy-Shoppe-Heavy-Glass-Bottles/dp/B01EZ3P9RQ>(Year: 2016).
 Closure Systems International, Flex-Chuck. No date specified. <https://csiclosures.com/en/Equipment%20And%20Services/Headsets%20And%20Chucks/Flex%20Chuck> (Year: 0).

* cited by examiner

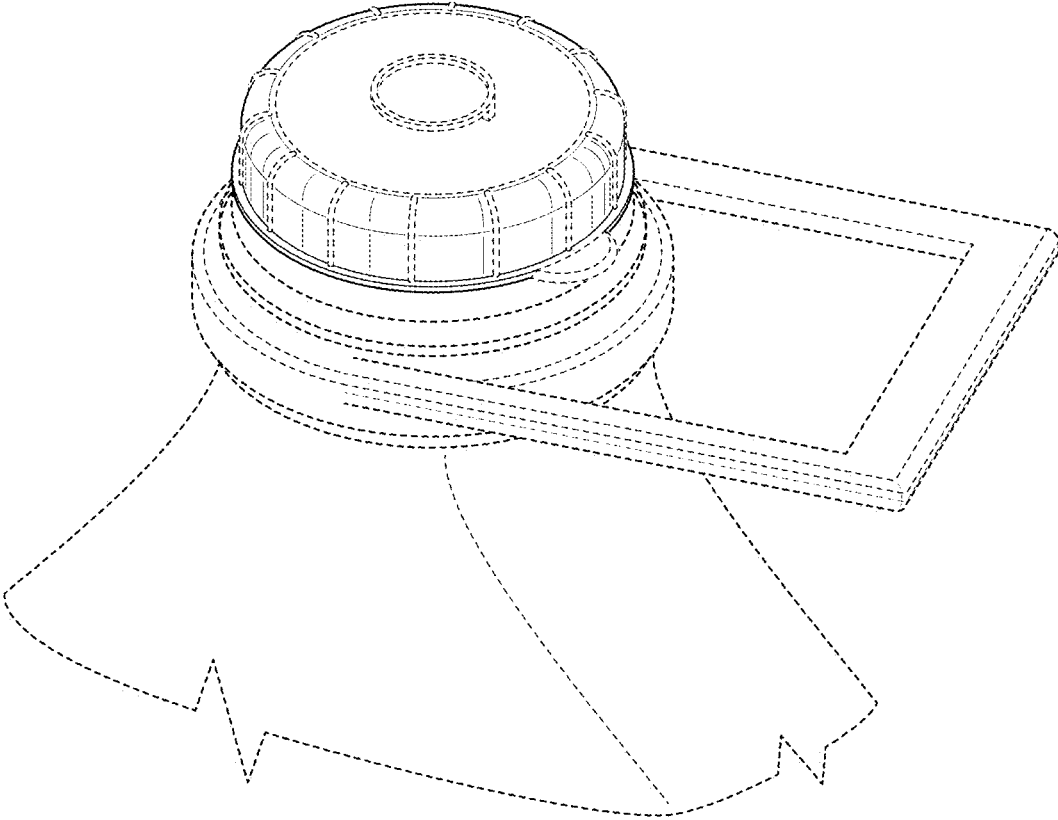


FIG. 1

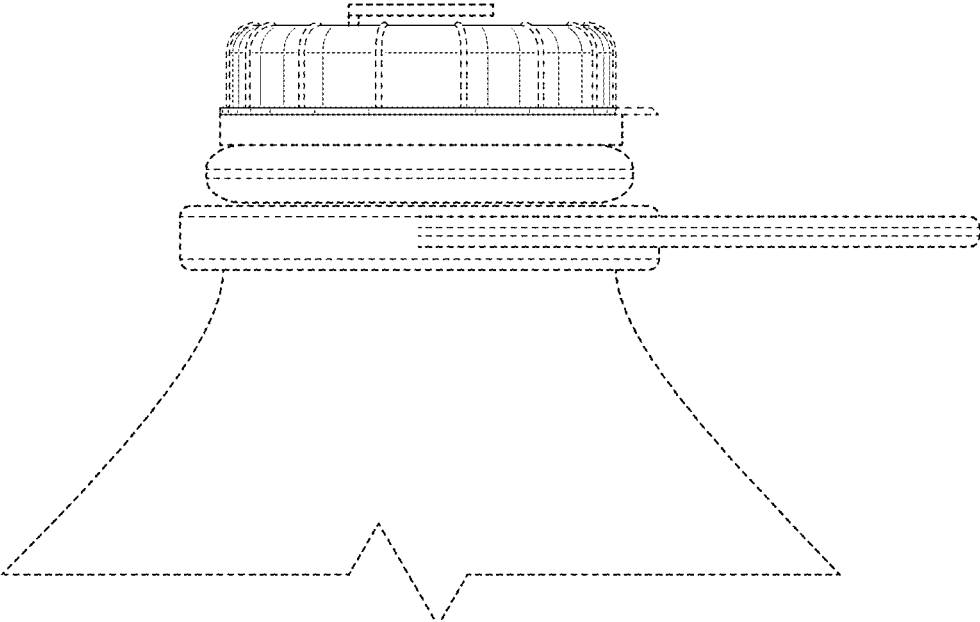


FIG. 2

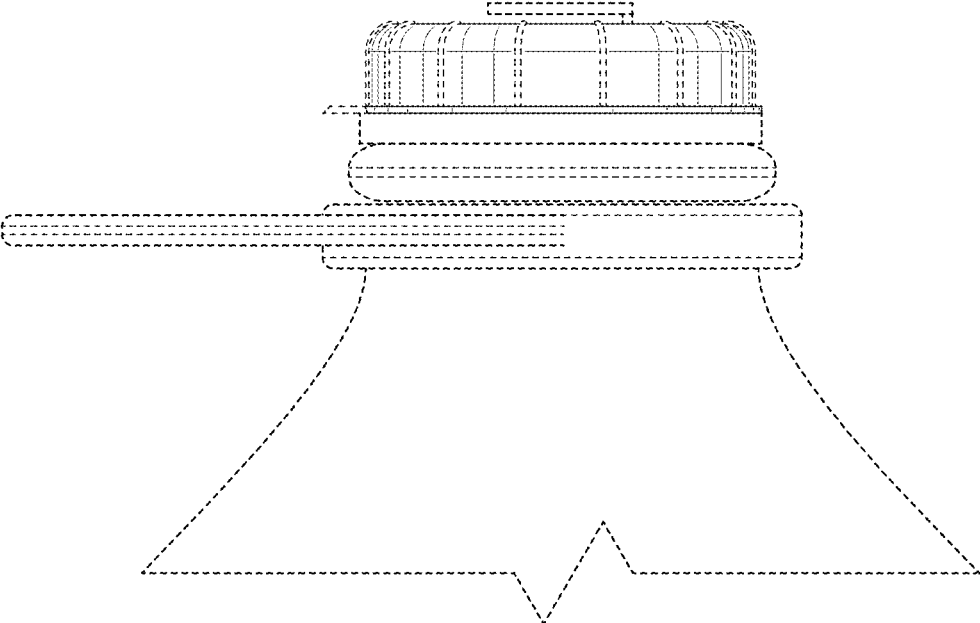


FIG. 3

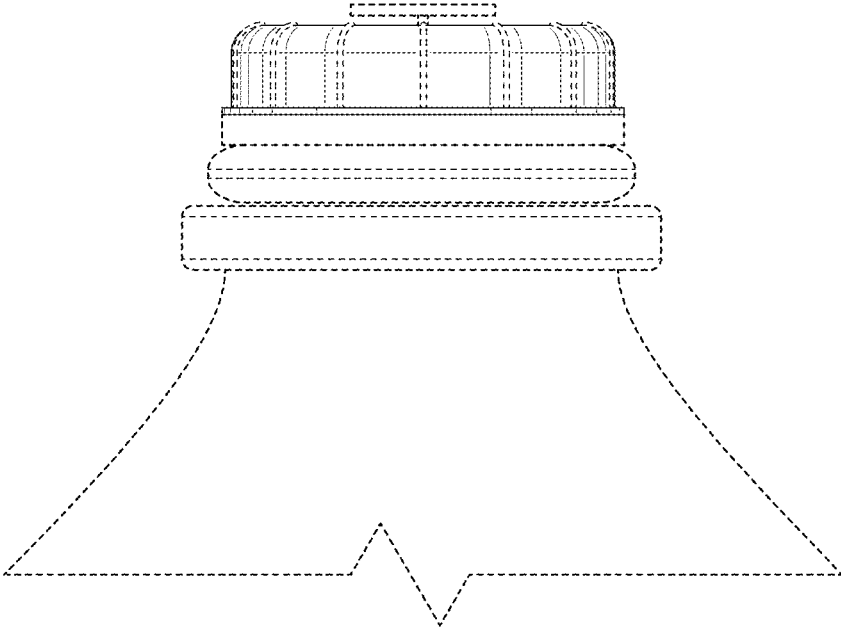


FIG. 4

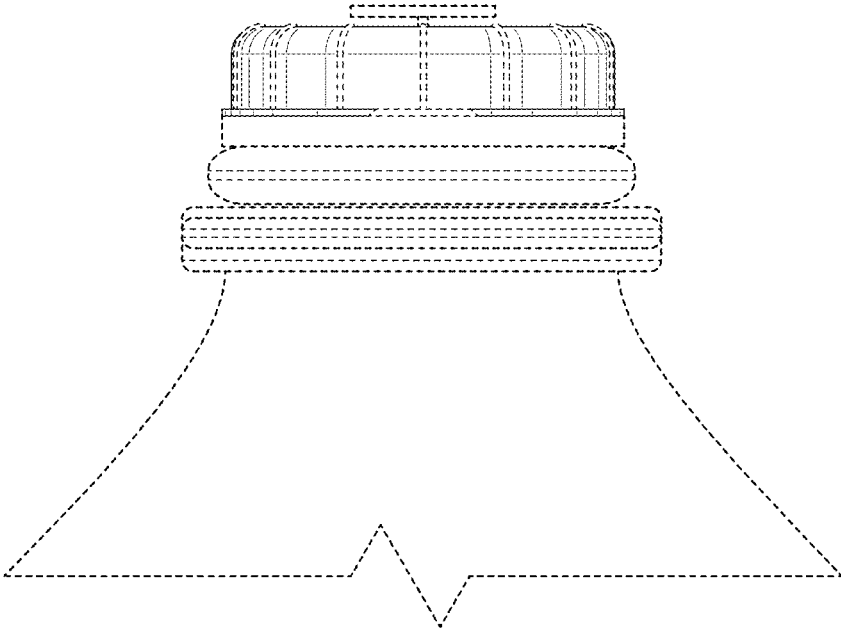


FIG. 5

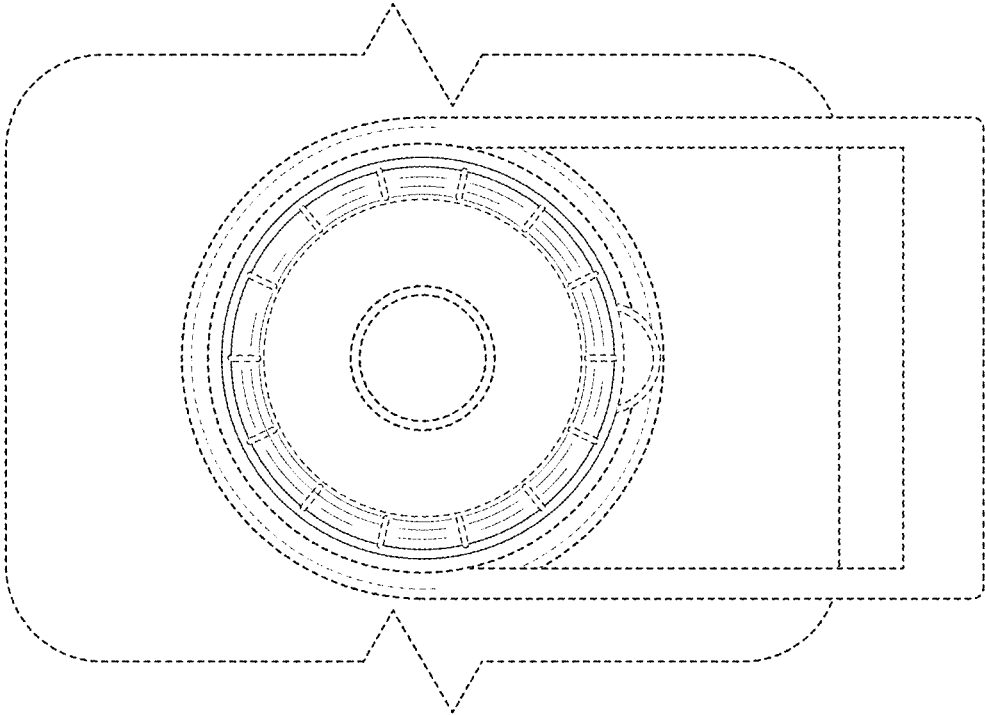


FIG. 6

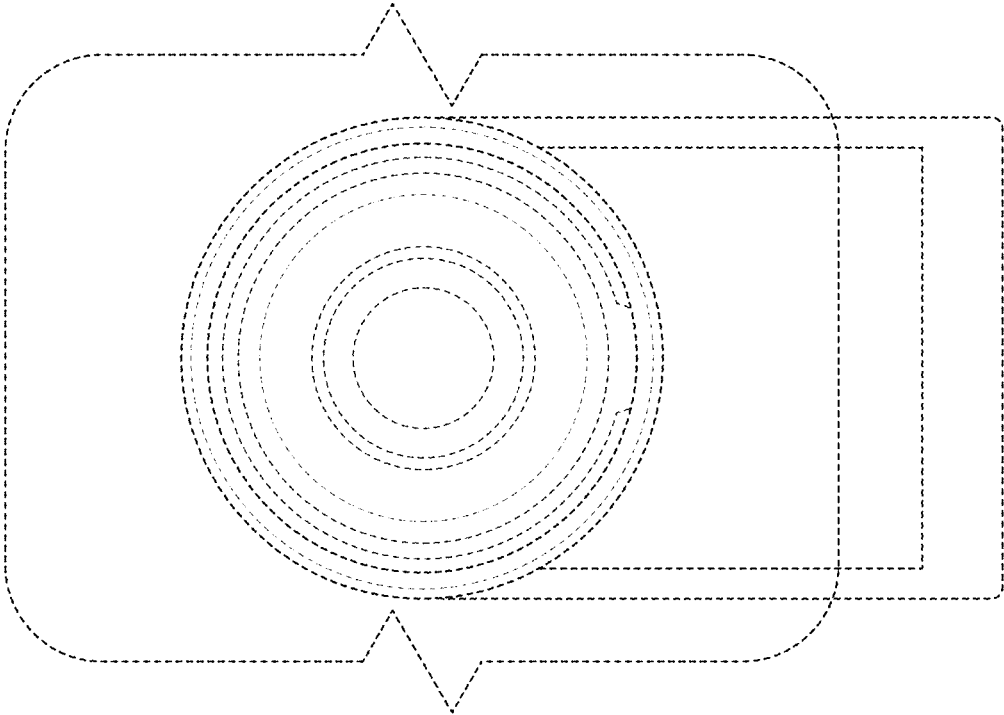


FIG. 7

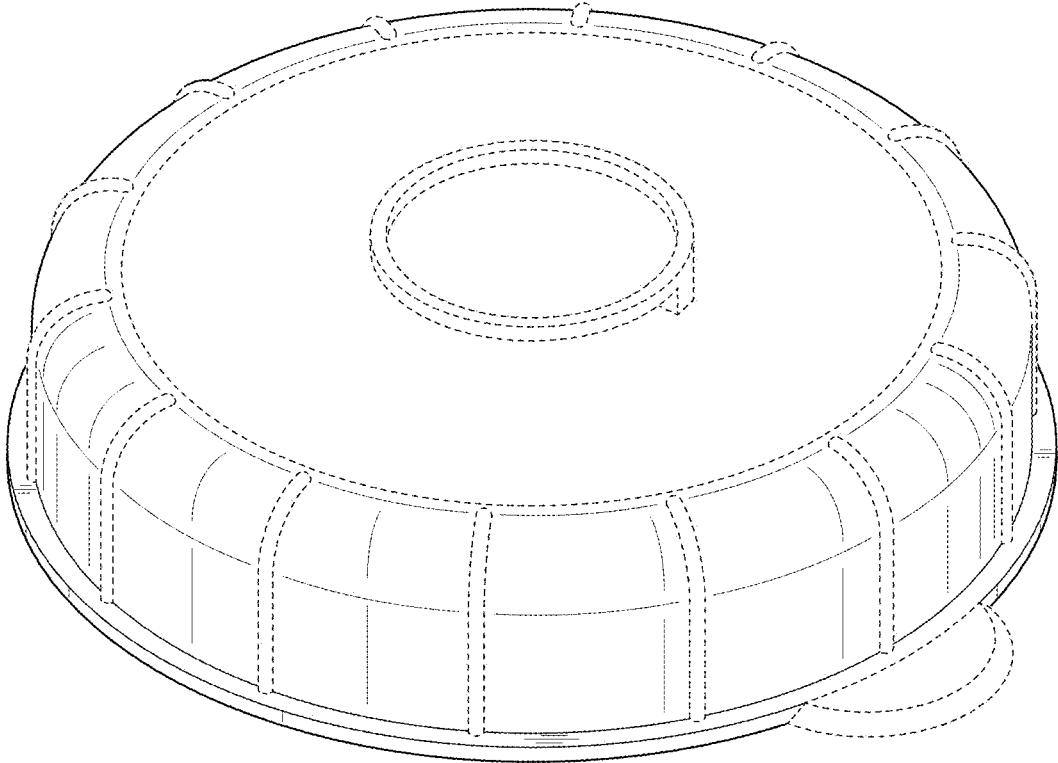


FIG. 8

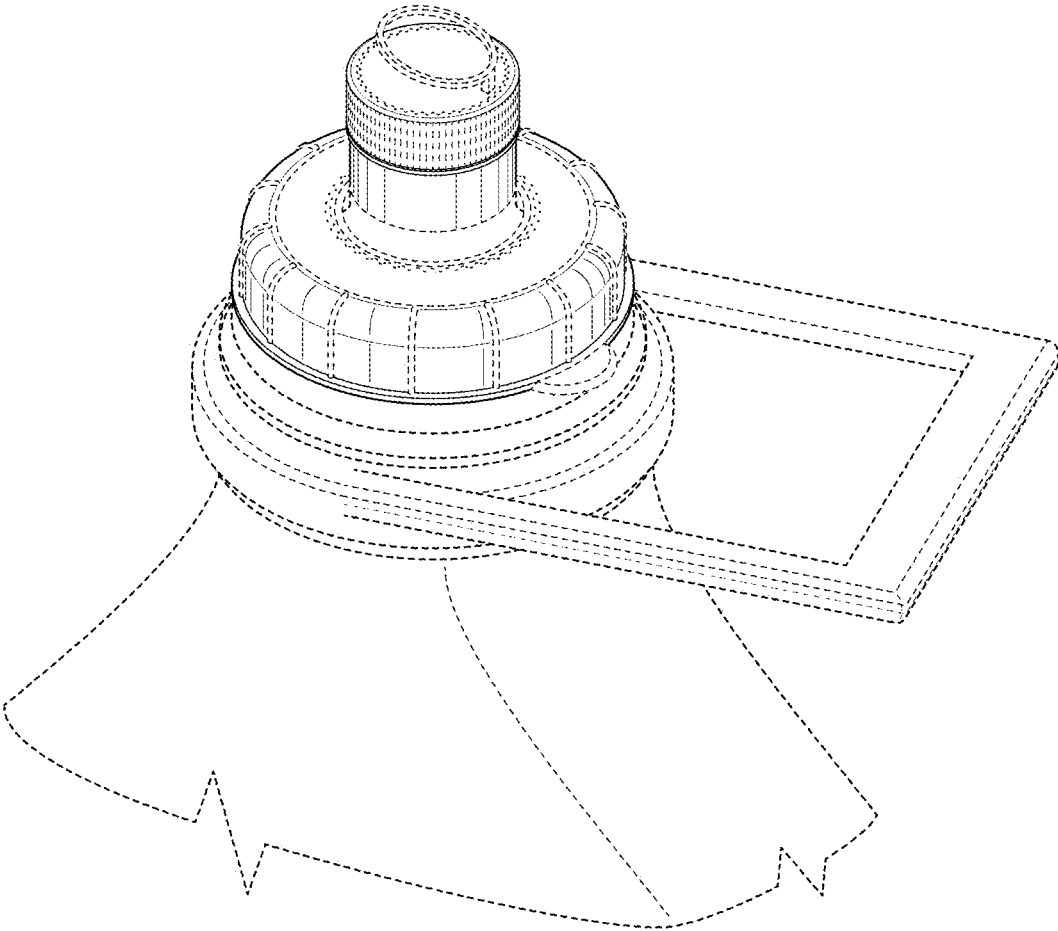


FIG. 9

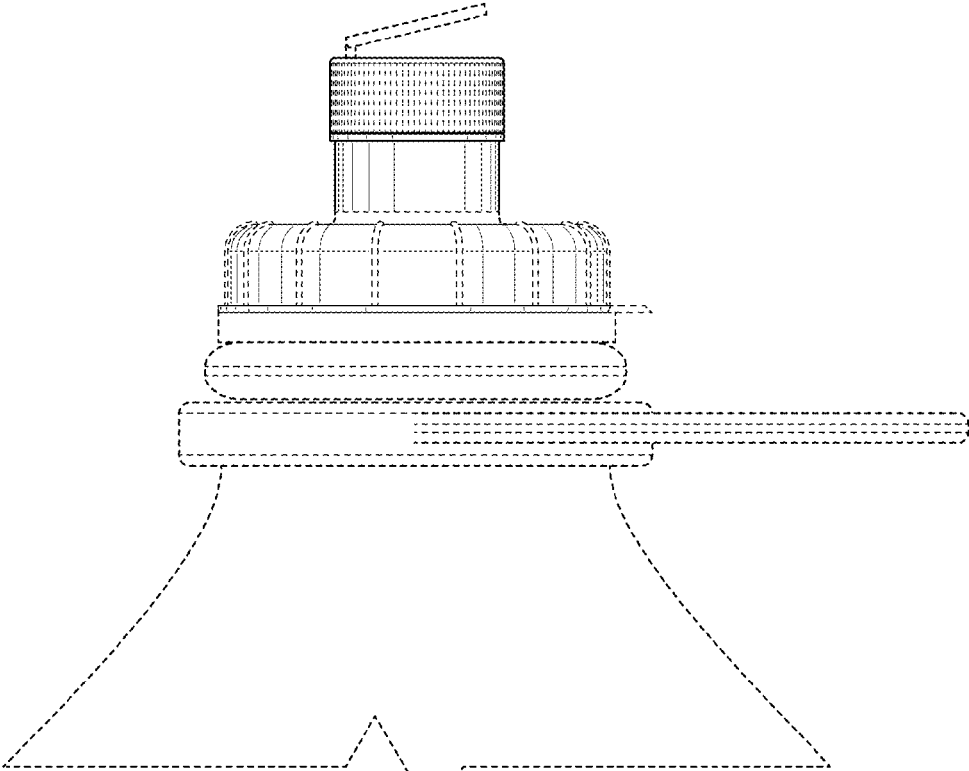


FIG. 10

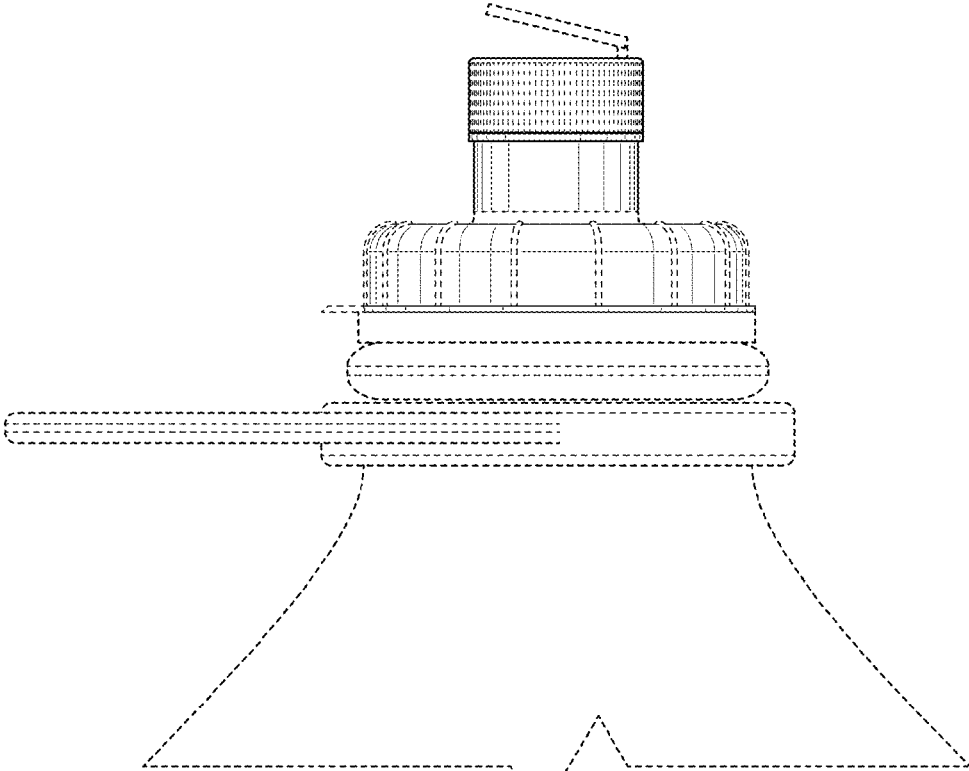


FIG. 11

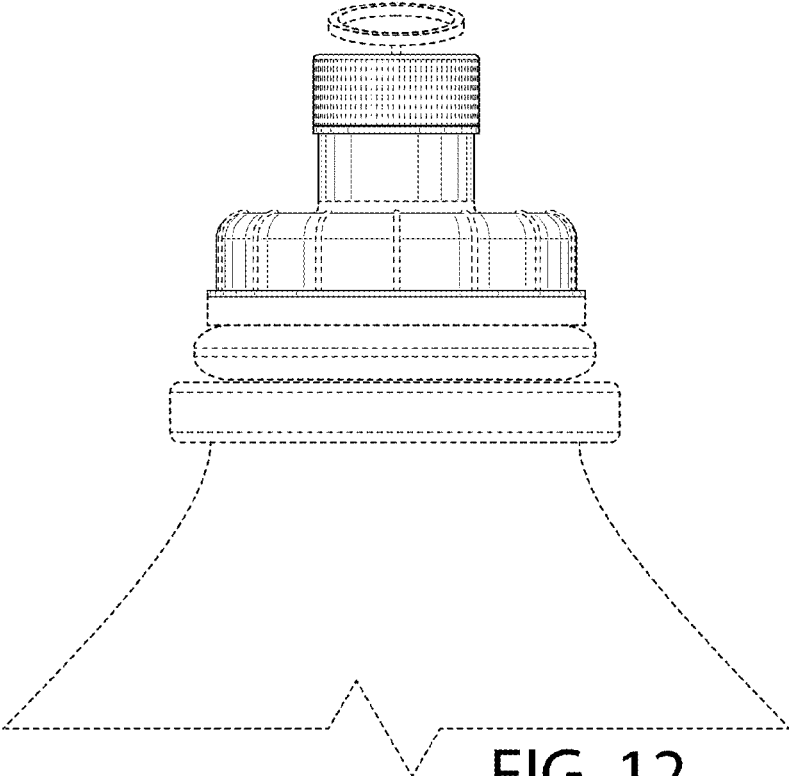


FIG. 12

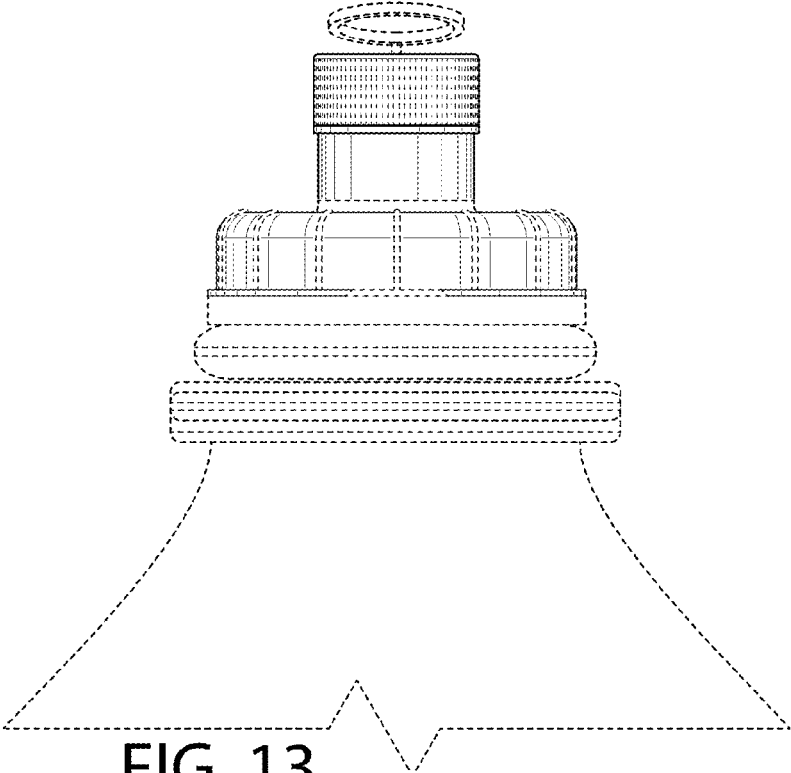


FIG. 13

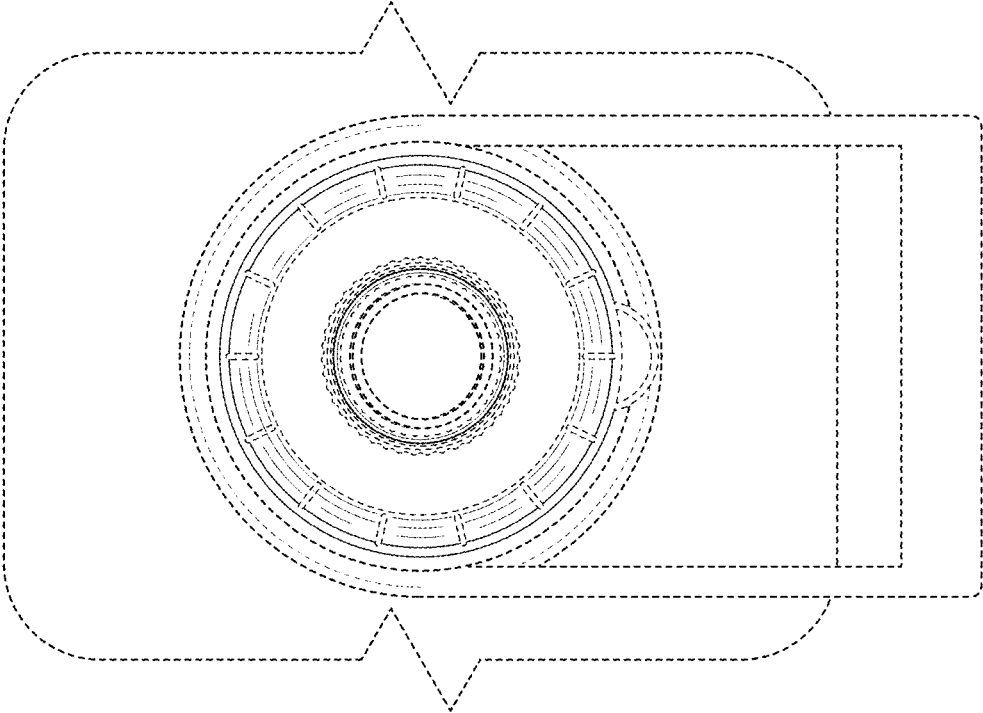


FIG. 14

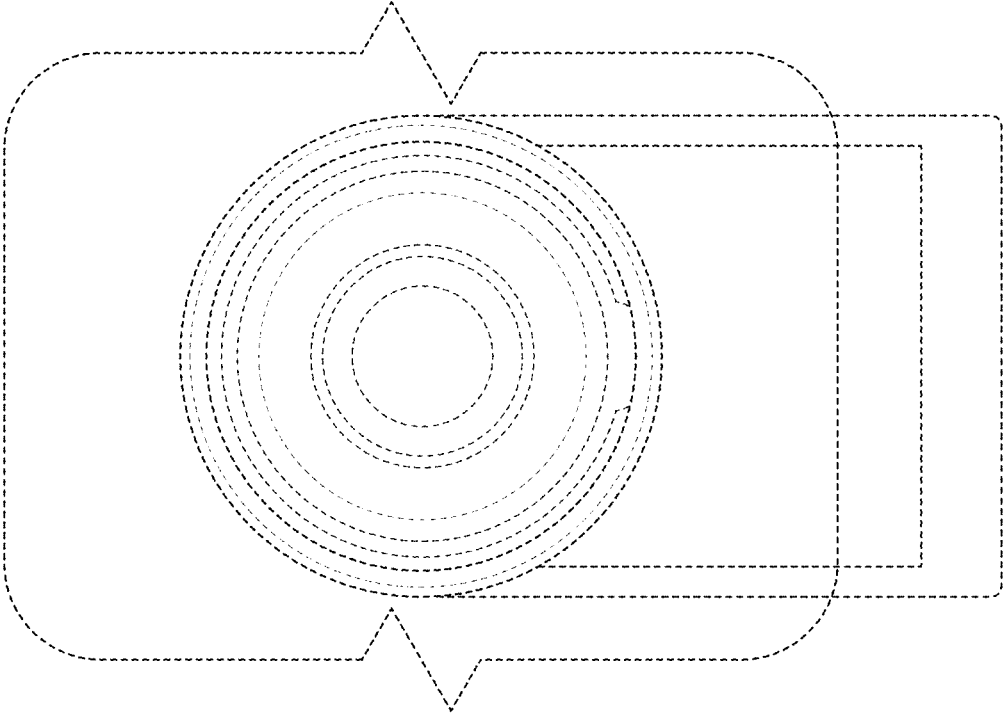


FIG. 15

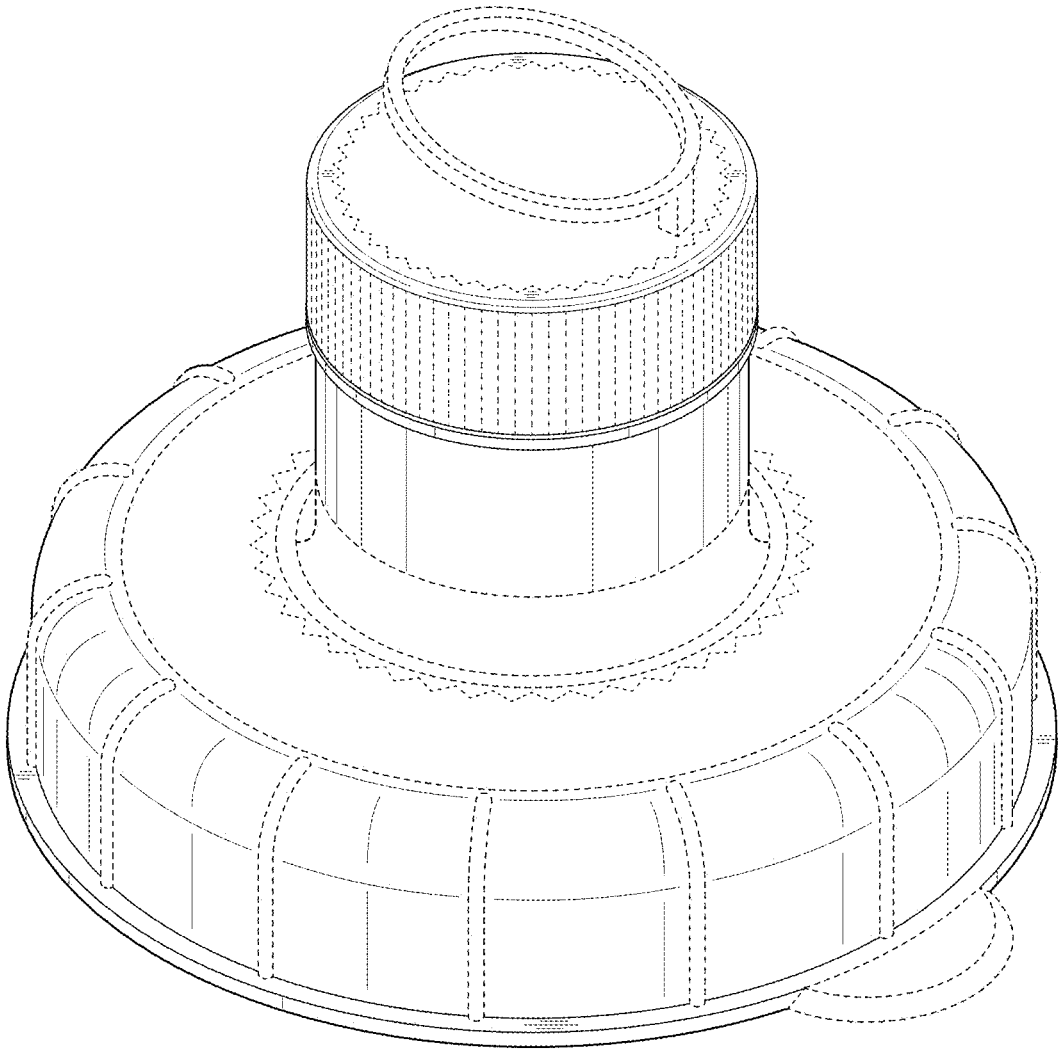


FIG. 16