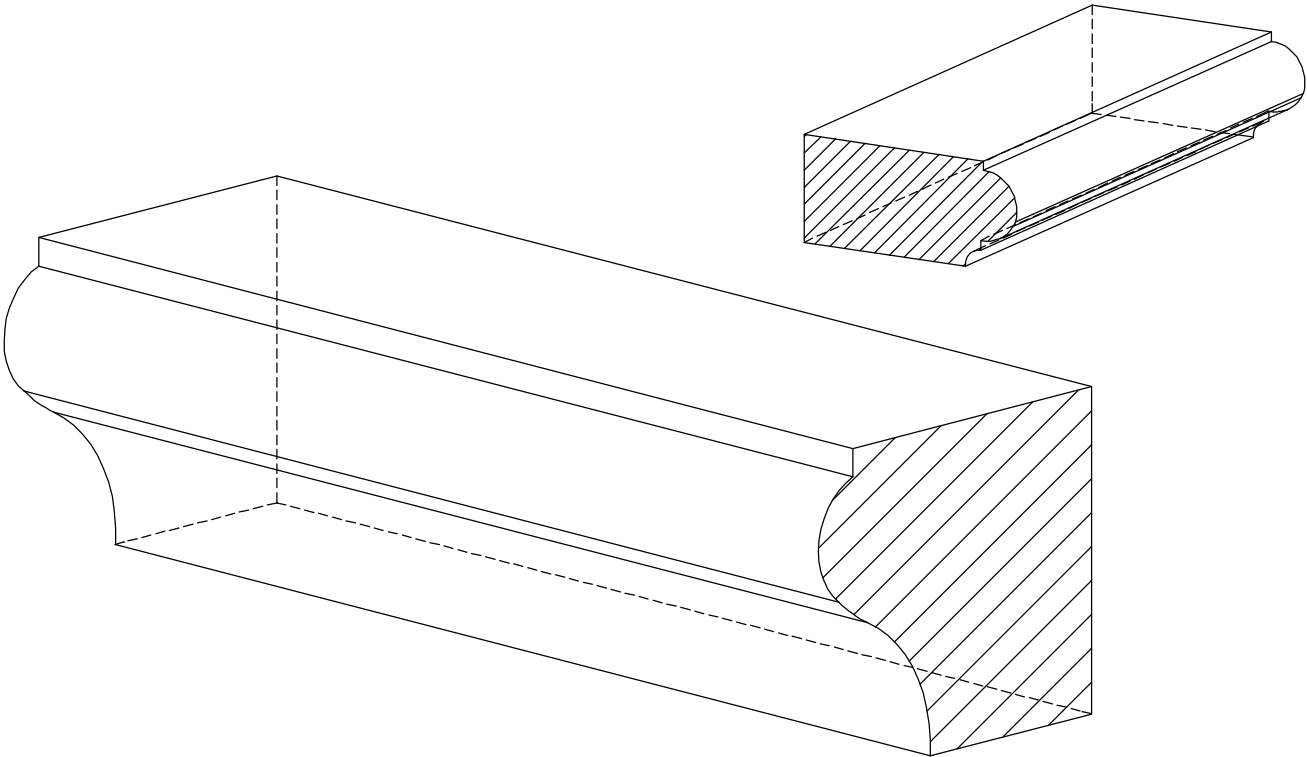


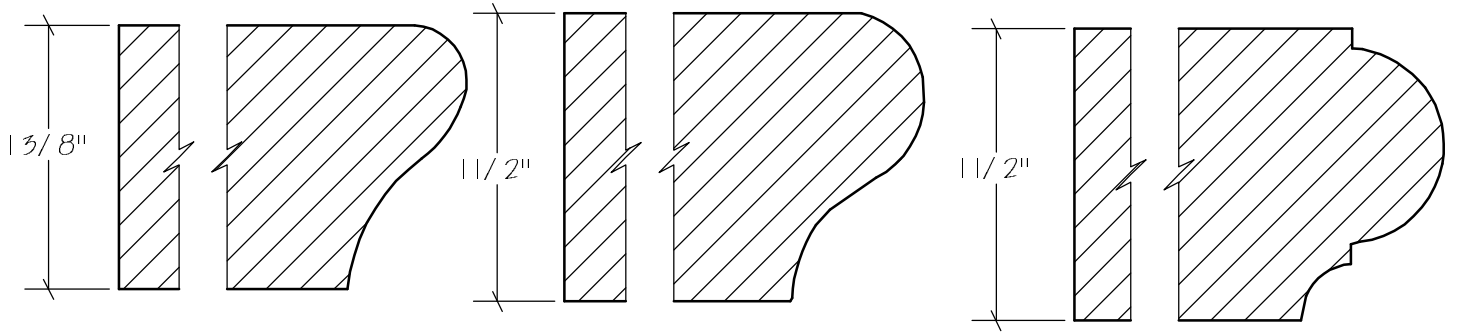
# WindowSills|Sashes



## N.E.W.P PART NUMBER CROSS REFERENCE

| NEWP#  | OLDNEWP# | Thick-Width | NEWP#  | OLDNEWP# | Thick-Width | NEWP#  | OLDNEWP# | Thick-Width    |
|--------|----------|-------------|--------|----------|-------------|--------|----------|----------------|
|        |          | BLANK       |        |          | BLANK       |        |          | BLANK          |
| I0-001 | S221-A   | 1-5/8"x+-   | I0-005 | S221-E   | 2"x+-       | 0-009  | S221-I   | 1-1/2"x+-      |
| I0-002 | S221-B   | 1-3/4"x+-   | I0-006 | S221-F   | 2-1/4"x+-   | 0-010  | S221-J   | 2-1/2"x+-      |
| I0-003 | S221-C   | 1-3/4"x+-   | I0-007 | S221-G   | 1-5/8"x+-   | 0-011  | S221-K   | 1-3/8"x1-3/16" |
| I0-004 | S221-D   | 1-7/8"x+-   | I0-008 | S221-H   | 1-1/2"x+-   | 0-012  | S221-L   | 1-5/8"x7/8"    |
|        |          |             |        |          |             | I0-013 | S221-M   | 1-3/16"x7/8"   |

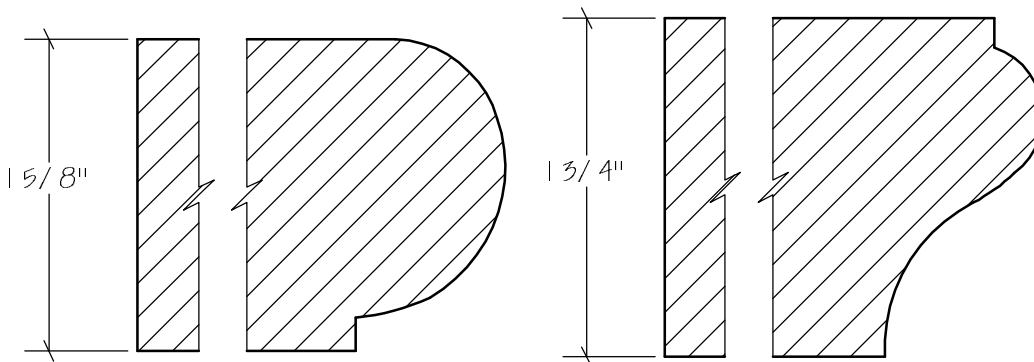
# WindowSills|Sashes



IO\_001 B0-142

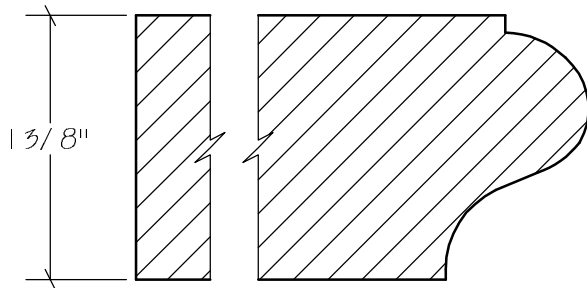
IO\_002

IO\_003 B0-038

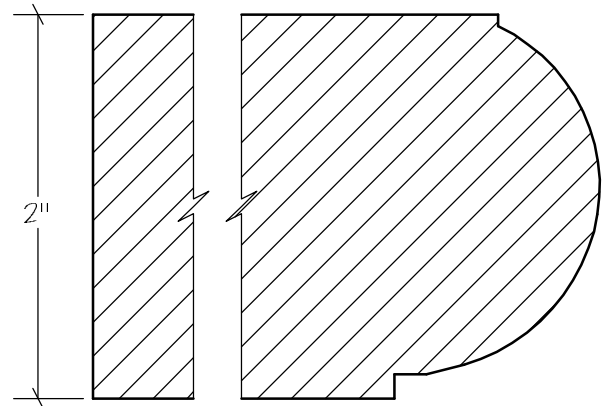


IO\_004

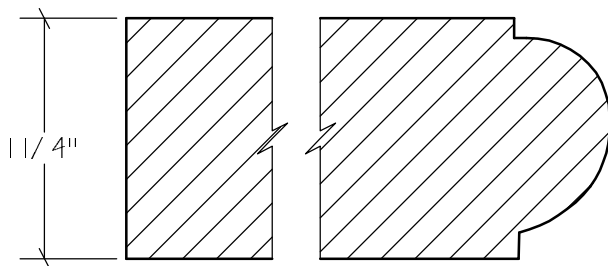
IO\_005 B0-034



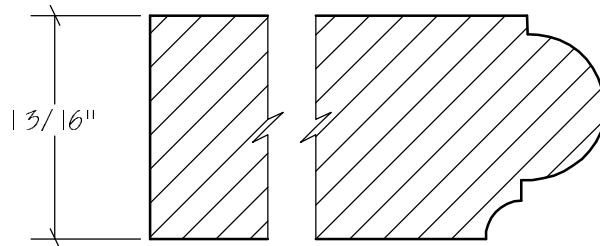
IO\_007



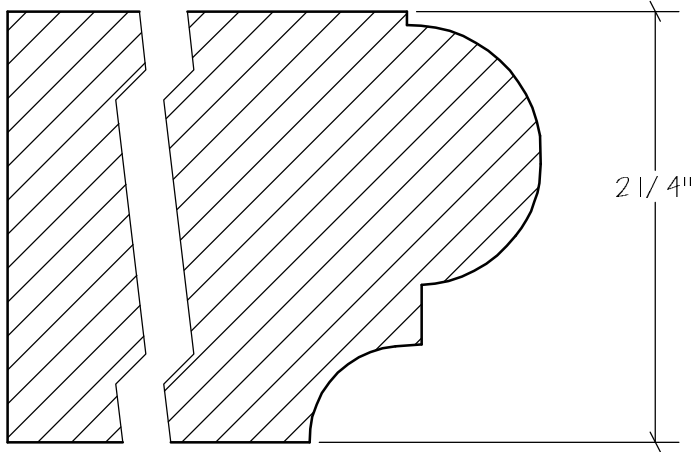
IO\_006



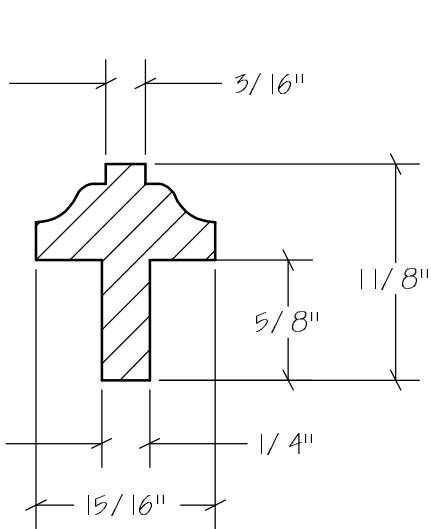
IO\_008



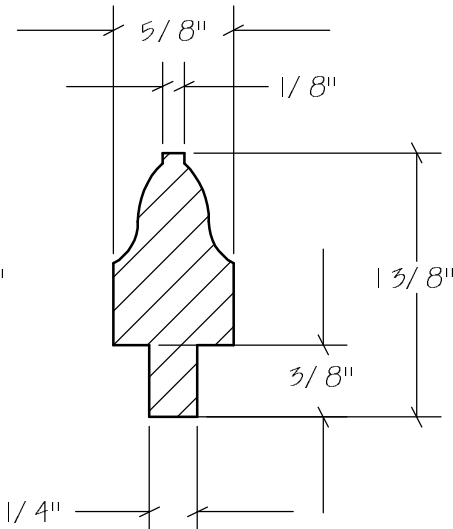
IO\_009 B0-042



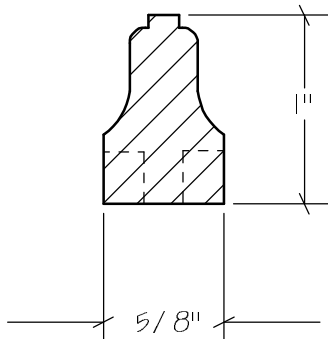
**10\_010**



**10\_011**



**10\_012**



**10\_013**