

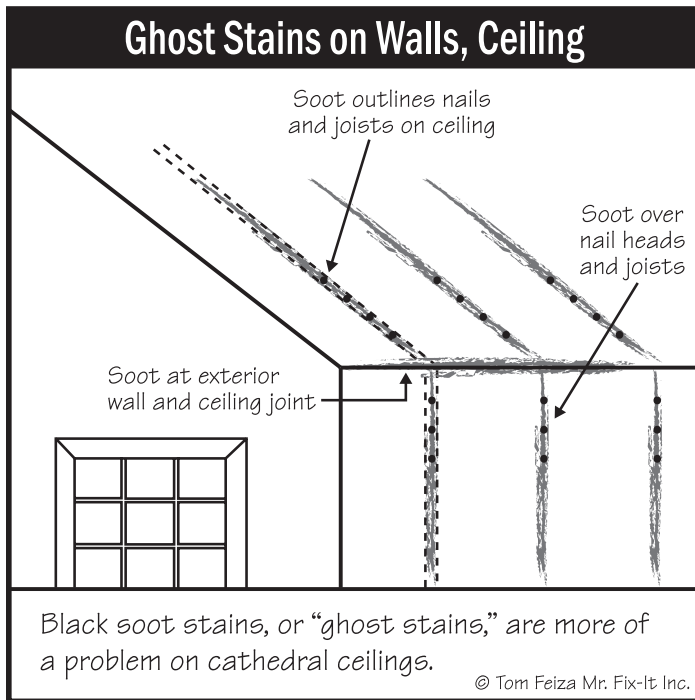
# Home Tips

Tom Feiza's Tips For Operating Your Home

## Soot, Ghosts and Ugly Stains

In recent years, I have investigated numerous complaints of black or gray stains in homes. These may be geometrically shaped stains that outline exterior wall framing, dots at drywall fasteners, or dirt staining carpeting along outside walls. The stains may create a ghost-like outline of the framing (the skeleton) of the home. Black particles may also occur on television screens, appliances and countertops. I have even investigated a home in which stains appeared on walls, white carpeting under doors and a pure white miniature poodle.

Why does staining occur in our homes? What has changed to cause these problems?



M048

Dark stains or “ghost stains” are difficult to investigate. We need to determine the source of the dark material and its relationship to the pattern of staining. Usually we discover two problems: soot production and delivery of the soot to the surface. The location and shape of the stain can give us a few clues. And don't worry—the stains usually are not mold.

### Mold?

First, let's discuss the mold question. With the scary media coverage of mold, any black, green or gold mark is a suspected mold growth, but most dark ghost stains, carpet stains or deposits on plastic surfaces are caused by soot or carbon, not mold.

It is possible that some dark stains in the home are related to condensation or moisture on surfaces that may result in mold or mildew. However, unless the home shows signs of moisture damage, it is not likely that stains within the living space are mold-related. Mold and mildew stains are possible on damp basement walls and wet windows, but mold and mildew typically do not appear as ghost stains on drywall, carpeting or appliances.

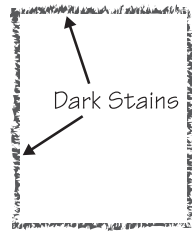
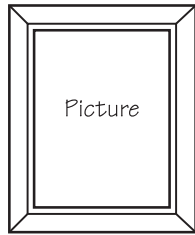
Most experts believe you can test a dark stain for mold with a bleach-and-water solution. When blotted with a 50 percent solution of laundry bleach and water, a mold stain should quickly disappear or lighten dramatically. If the stain consists of soot or carbon particles, it will smear and remain dark when wiped with the solution.

To treat mold, we need to eliminate the moisture, clean the surface, and attempt to remove any food source—paper, cellulose, dirt or dust. You can find good references for mold concerns at websites for the EPA, the Building Science Corporation, and the states of Minnesota and Wisconsin. Most of these technical resources recommend solving the moisture problem and cleaning the surface, so don't go crazy with mold concerns.

### Ghost stains? Soot stains

The dark stains that outline wood framing or drywall fastener heads are often called ghost stains because they appear as ghostly images of the framing or fasteners. Ghost stains may also appear on room or stairway carpeting, on plastic, around pictures or below doors.

## Soot Stains at Pictures



Remove picture, and you may see a dark stain outlining picture frame. The picture interrupts air flow, and dirt or soot is deposited.

© Tom Feiza Mr. Fix-It Inc.

M046

Most ghost stains are related to soot or small black particles that deposit on surfaces through several mechanisms. They are difficult to remove because they consist of very fine dirt particles or an oily and/or carbon-based deposit from incomplete combustion.

### Are stains more common today?

Years ago, when homes were heated with a fire and lit with oil lamps or candles, soot was just accepted. A common chore was cleaning the soot from clear glass lamp mantels. Today we maintain very clean homes with many white surfaces, and even a small dark stain is easy to identify.

Our homes are tighter and leak less air. This is great for comfort and energy efficiency, but a tighter home allows less air exchange with the outdoors to dilute dirt and soot in the air of the home.

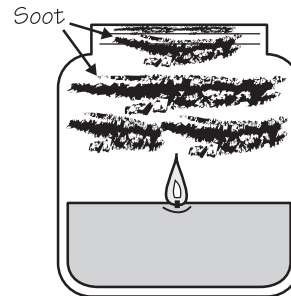
We also have forced-air heating systems and numerous fans and combustion devices that move air in the home. If systems aren't perfectly installed—and they are never perfect—air flow will move particles and deposit stains in remote locations. Many homes can suck air and particles from the outside and through carpeting, doors or even walls. The carpet becomes a filter that traps dirt and soot.

We love our electronics and plastic. Electronic devices can create a charge that attracts particles. Plastics may have an electrostatic charge that also attracts particles. Many electronic devices move air through their framework for cooling—again, moving and depositing particles.

Finally, today we are pickier homeowners. We expect our homes to be clean and to stay clean. We don't accept stains in our homes.

### Where do the dark particles come from?

## Candle - Soot Generator



A scented candle in a glass jug can produce significant quantities of soot. The flame is starved for oxygen and burning inefficiently, producing soot.

© Tom Feiza Mr. Fix-It Inc.

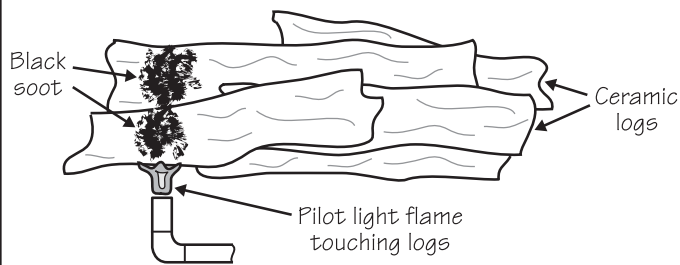
M049

There are many possible sources inside and outside your home. The exact source can be difficult to identify, and often you must work from the most obvious to the remote possibilities. Common source of particles are:

- Candles—the big offender. Candles that are scented or in jugs often create more soot than standard candles because of incomplete combustion. Candles with long, untrimmed wicks can also produce more soot.
- Oil lamps—these create the same problems as candles. Just look at the glass mantle. Burning incense belongs in this group, too.
- Combustion appliances—any device that burns solid fuel, oil or gas is a potential source. Incomplete combustion creates particles. Appliances that are not vented properly can deposit products of combustion and particles in a home; a wood-burning fireplace is an obvious source.
- Gas fireplaces—that nice, lazy yellow flame looks good but can also produce particles. If the combustion were more complete, the flame would be closer to a solid blue color, not a soft yellow.
- Gas pilot lights—poor adjustment can produce soot. A pilot light that strikes or “impinges” on a surface may also produce incomplete combustion and soot.

## Flame Impingement

### Gas Fireplace Log Set



When a gas pilot light flame touches the log (flame impingement), this creates incomplete combustion and excessive black soot.

© Tom Feiza Mr. Fix-It Inc.

MO47

- Smoking—a possible cause in excessive cases, but often these smoke particles are tan or yellow until they pick up common dirt.
- Internal combustion engines—cars, lawnmowers, diesel engines. If your home has poor air balance, these particles can be sucked indoors from the attached garage or from outside.
- Construction-related dirt and dust—drywall-sanding dust or concrete-cutting dust are two sources.
- Deteriorating carpet, drapes and cloth can produce sooty stains.
- Dirt—from soil, pets, kids and animals.
- Cooking—what have you burned lately? Does your kitchen fan really exhaust cooking odors and smoke to the outdoors or just recirculate it inside your home?
- Dust-producing activities—these include wood-working, furniture refinishing, welding, cutting metal with flame, and grinding.
- A vacuum cleaner—if your vacuum has a poor filtering and capture system, it may spread dirt and soot in your home.

### Why the ghost-like deposits?

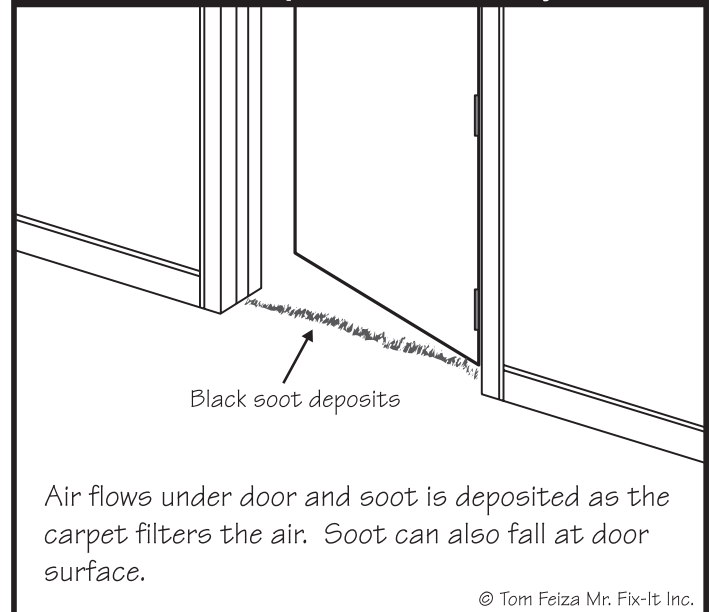
Soot and carbon particles are very small and light. They move easily and can remain suspended in the air for many hours. These particles will also be dis-

tributed by your forced-air heating or cooling system and most vacuum cleaners.

Several scientific principles describe the action of particles depositing on surfaces.

- **Changes in air flow** When air changes direction, particles can drop out of the air. Where air flows beneath doors, for example, the particles drop into the carpet.

## Soot Deposits at Doorway

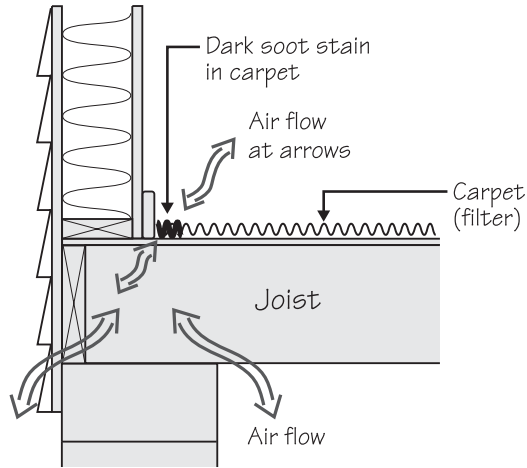


© Tom Feiza Mr. Fix-It Inc.

MO43

- **Filtration** When air moves through carpeting, the carpet acts as a filter and traps dirt particles. In a home that has an improperly operating forced-air system, you may see filtration stains at the exterior baseboard where air is being sucked into the home. You may see stains on carpeted stairs since air is sucked through the stairs into the return of the air handler in the basement.
- **Surface temperature changes** Air has a certain amount of energy that varies with temperature. At a higher temperature, particles in the air move quickly; at a lower temperature, particle movement slows. When air that contains soot particles moves across a cooler surface, the soot particles slow and can be deposited on the cooler surface. This action is what causes the ghost stains that outline framing and drywall fasteners; there is less insulation at the wood studs, so the surface is cooler, and the soot deposits on the cooler surface.

## Soot Stains at Carpet and Walls

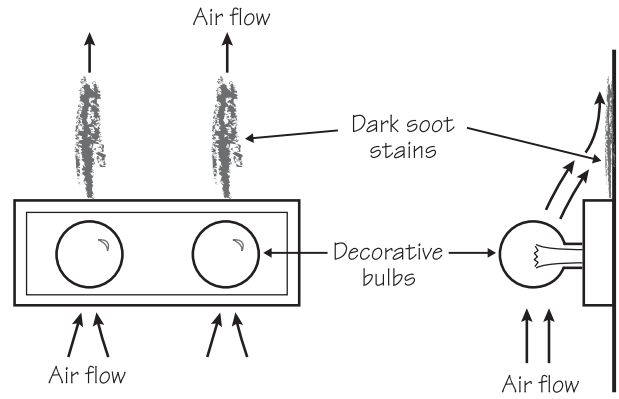


With a pressure imbalance in a home and poor air sealing, air will flow through carpet at exterior walls. The carpet will trap soot, and stains can develop.

© Tom Feiza Mr. Fix-It Inc.

MO44

## Dark Soot Stains Above Light Bulbs

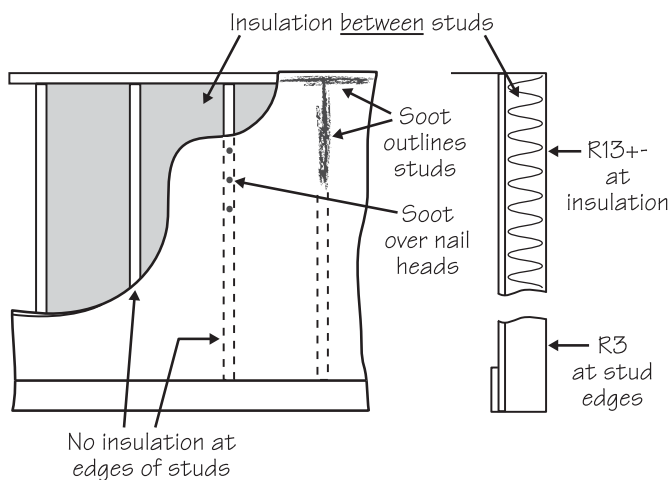


Light bulbs warm the air and warm air rises, depositing dark soot stains on the wall above the bulbs.

© Tom Feiza Mr. Fix-It Inc.

MO45

## Ghost Stains on Exterior Walls

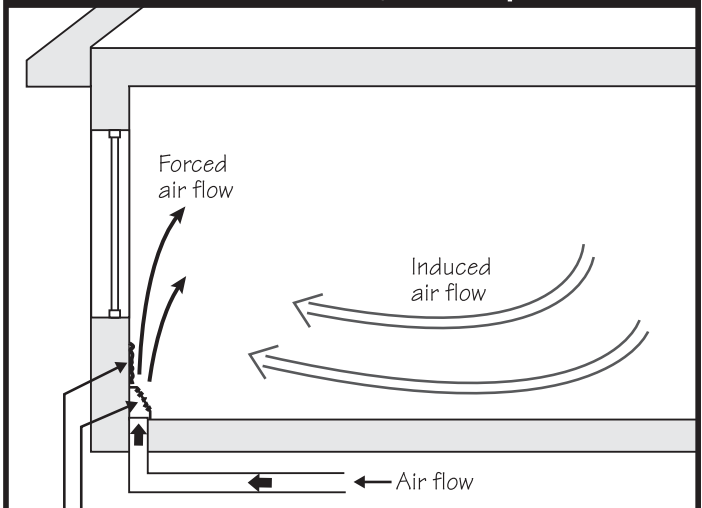


No insulation at the edges of wall studs makes edges and fasteners cooler. Black soot stains deposit on the cooler surface with a "ghost stain" outlining the studs and nail heads.

© Tom Feiza Mr. Fix-It Inc.

MO42

## Air Flow Induction, Dirt Deposits



Dirt from room deposits on grill and wall

As air is forced through supply grill into room, it induces room air flow and dirt deposits from room air.

© Tom Feiza Mr. Fix-It Inc.

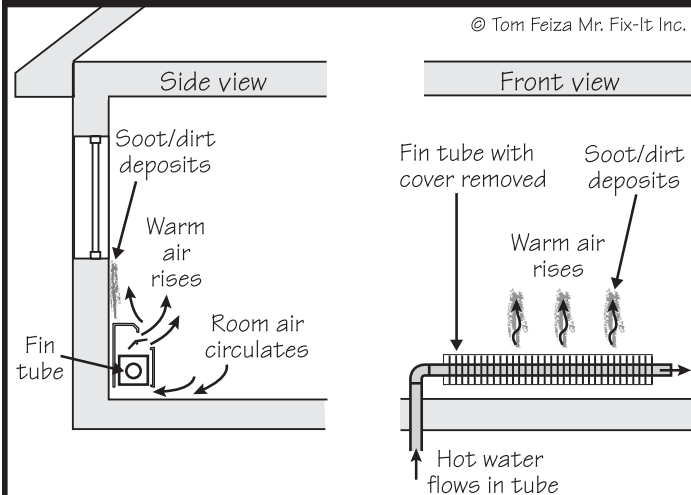
HO45

- **Increased air flow** Warmer air rises, and forced-air systems push, pull and move air. The air flow can cause visible deposits on and above heating grills, above radiation equipment, and above light bulbs adjacent to walls. Some of the deposits are also caused by the convective flow of dirty air in the room.

- **Electrostatic charge** Electronic air filters and smoke filters use electrostatic charges to filter air. The same electronic-charge principles attract particles to the TV screen, some plastics, electronic equipment and appliances. Movement of air through the ductwork in your home can also charge particles in the air and make them stick to surfaces.

## Soot - Dirt Above Radiation

© Tom Feiza Mr. Fix-It Inc.



Hydronic or hot water heating systems circulate hot water through a baseboard fin tube. The water heats the tube and fins. As warm air rises and combines with room air, soot and dirt deposits form.

M051

- **Gravity** Eventually, particles and debris will drop out of the air. They often create deposits on flat surfaces such as countertops.

### What can a homeowner do?

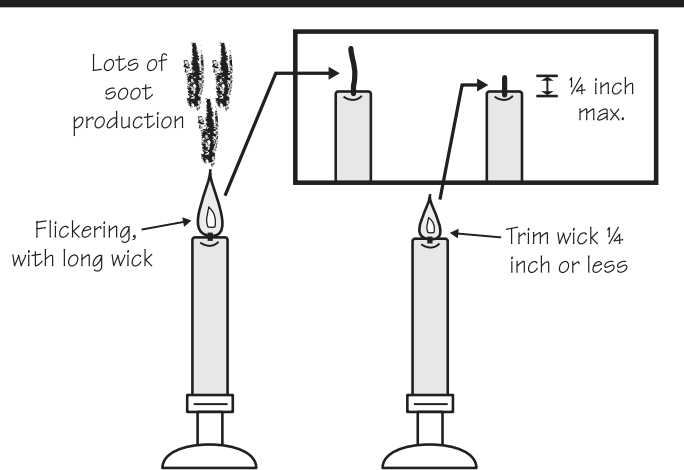
Start by understanding the sources of soot and dirt particles. Consider the process that may be depositing the soot on surfaces in your home. Then eliminate the obvious sources and watch for future stains. Be particularly wary of scented candles, candles in jugs, oil lamps and gas fireplaces.

If you must use candles, use high quality candles and burn them in an open area – not in a partially closed container. Keep the candlewick trimmed to  $\frac{1}{4}$  inch or less for better combustion and a cleaner burn with less soot.

Have all your combustion appliances serviced by professionals on a routine basis—a good practice with or without soot problems. Specifically ask the contractor to check the combustion gas venting and test for backdrafting of combustion gas. When backdrafting occurs, signs of it may be visible at vent connections. If the contractor can't knowledgeably discuss venting, air balance and backdrafting, look for a contractor with more experience.

Unfortunately, there are few resources and a limited number of experienced consultants who understand

## Candle - Trim Wick

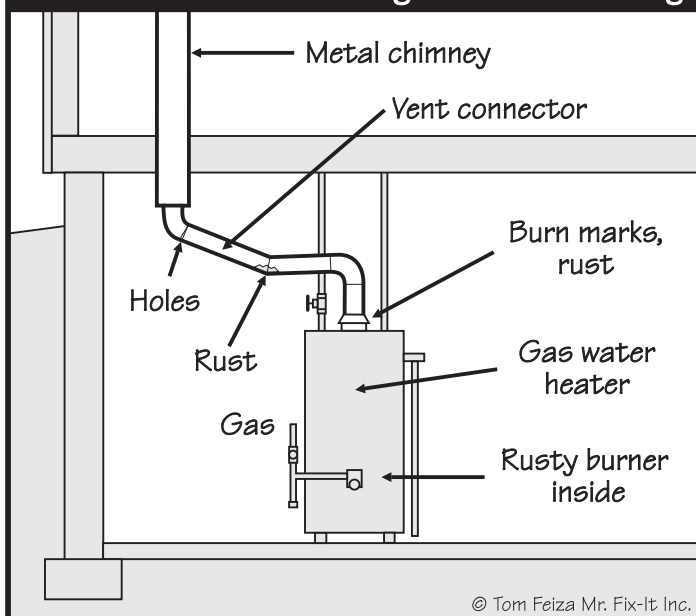


Candle wicks should be trimmed to  $\frac{1}{4}$  inch or less to improve combustion and limit soot production.

© Tom Feiza Mr. Fix-It Inc.

M050

## Gas Water Heater with Signs of Backdrafting



© Tom Feiza Mr. Fix-It Inc.

W006

the soot and ghost stain problem. If your home has a particularly bad problem, with strange deposits outlining walls or strange patterns in carpeting, it's probably due to an air imbalance in your home combined with a soot production problem. This type of air flow problem could be investigated by a consultant who specializes in home performance and has training in measuring air flow and pressure differentials. Your home should be evaluated as a complicated set of interrelated systems moving air and creating differential pressures.

It appears that most ghosting problems are not directly related to construction. Problems are often related to increased production of soot, more light-colored surfaces in our homes, and higher expectations of homeowners. Increased use of candles certainly has had a big impact on increasing the soot and ghosting stain problem.

## **HOME TIPS**

Written by Tom Feiza

See Tom's book  
[How To Operate Your Home](#)  
(ISBN 0-9674759-3-7)  
for great information  
on "operating" a home.

The book is available at  
[www.amazon.com](http://www.amazon.com) or through Tom at:  
[www.howtooperateyourhome.com](http://www.howtooperateyourhome.com)  
or [www.htoyh.com](http://www.htoyh.com)  
262-786-7878.



**Tom Feiza, "Mr. Fix-It," Inc.**